

**HONDA**

# ***GENERAL PURPOSE ENGINE***

**GCV160  
GCV160A  
GCV160A0  
GCV160E  
GCV160LE  
GCV160LA  
GCV160LA0  
GCV160LA1**

**PARTS CATALOGUE**

**24**

---

**FOREWORD INDEX**

**1**

---

**ENGINE GROUP**

**2**

---

**PART NUMBER INDEX**

**3**

---

**PART NAME INDEX**

**4**

---



### Instruction for use of parts catalogue

- **This parts catalogue was prepared based on the latest information available as of April 10, 2021.**
  - See the parts catalogue news for any revision that is made after April 10, 2021.
- **Always specify the part number when ordering a part.**
  - Check the model, type, serial numbers, color, maker, and the size as needed before ordering a part.
  - Note that the illustrations (part drawings) can differ from the actual parts in shape. They are given just to help you to refer to the parts.
- **When modifications or additions to this parts catalogue are made, a revised edition will be issued at an appropriate time, with successively progressing revision numbers on the cover. We recommend obtaining such revisions in order to keep your parts catalogue up-to-date at all times. To check whether a parts catalogue revision has been issued, please contact your Honda distributor.**

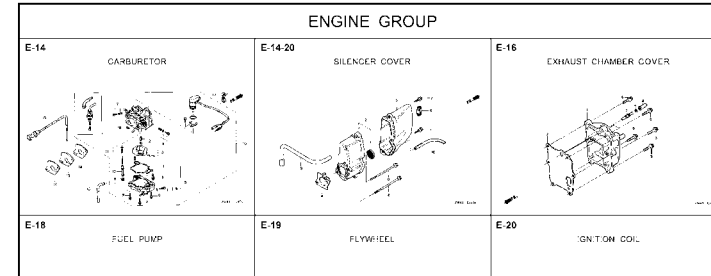
Initial version issue date September 10, 1997  
**Honda Motor Co., Ltd.**

### CONTENTS

	Page
•Instruction for use of parts catalogue .....	1 <b>1</b>
•How to refer to the part information .....	2
•Part catalogue structure.....	3
•When the parts were revised.....	4
•Abbreviations used in the parts catalogue.....	4
•How to check the part block and serial numbers.....	5
•Models, parts catalogue codes and applicable serial numbers.....	6
•Features of each type.....	15
•Fuel hose, general purpose hoses and vinyl hose.....	36
•Illustrated index .....	37
•ENGINE GROUP.....	41 <b>2</b>
•PART NO. INDEX.....	207 <b>3</b>
•PART NAME INDEX.....	212 <b>4</b>

## How to refer to the part information

## A Reference with "Illustrated index"



## B Reference with "Part number index"

PART NO. INDEX				
Part Number	Page Ref.	Part Number	Page Ref.	Pi
06000		15212-ZW9-000	49 7	17583
		15220-ZW9-003	49 8	17583
06316-ZW9-000	104 1	15332-ZW9-000	74 2	17611
		15332-ZW9-A30	76 2	17611
11000		15400-PFB-004	46 5	17612
		15422-ZW9-000	49 9	17620
11300-ZW9-000	46 1	15473-881-000	49 10	17620
11300-ZW9-800	46 1	15474-ZW9-000	49 11	17624
11340-ZW9-000	46 2	15611-921-000	45 6	17650
11342-ZW9-000	46 3	15655-ZW9-000	46 6	17660
11381-ZW9-003	47 1			17661
12000		16000		
		16010-ZV4-005	55 1	17665
12000-ZW9-000ZA	46 4	16011-ZV4-005	55 2	17670
12155-ZV4-A00	48 1	16013-ZW9-003	55 3	17680
12166-ZW9-000	45 1	16016-ZW9-003	55 4	17701
12209-GB4-681	51 1	16016-ZW9-721	55 4	17701
12209-GB4-681	45 2	16023-ZW9-003	55 5	17701
12210-ZW9-000ZA	74 1	16024-ZV4-650	55 6	17701
12216-ZE2-300	76 1	16028-ZV4-650	55 7	17702

## C Reference with "Part name index"

PART NAME INDEX		
Part name	Page	Ref.
[ A ]		
ABSORBER, FUEL	80	5
ARMATURE COMP.	62	7
ARM COMP., LINK JOINT	102	18
ARM COMP., SHIFT LINK	102	14
ARM COMP., TILT	97	20
ARM, FUEL PUMP ROCKER	51	4
ARM, REVERSE LOCK	97	18
ARM, SHIFT LINK	92	7
ARM, STOPPER	52	12
ARM, THROTTLE REMOTE	92	6
ARM, VALVE ROCKER	51	3
[ B ]		
BAG, TOOL, 160MM	101	10
BAND	103	37
BAND B1, WIRE	87	1
BAND, CORD	85	18
BAND, TUBE CLIP, 11MM	81	20
BAND, TUBE CLIP, 12.5MM	81	19

### E-2 CYLINDER HEAD

**Block No.**

**Ref No.**

Ref. No.	Part No.	Description	Reqd. QTY						Serial No.	Parts catalogue code
			9901	9901	1001	1001	1001	1001		
1	12166-ZW9-000	STOPPER, ENGINE SIDE	2	2	2	2	2	2		
2	12210-ZW9-000ZA	HEAD COMP., CYLINDER	1	1	1	1	1	1		
3	12251-ZW9-003	GASKET, CYLINDER HEAD	1	1	1	1	1	1		
4	12310-ZW9-000	COVER COMP., HEAD	1	1	1	1	1	1		
5	12312-ZW9-000	PACKING, HEAD COVER	1	1	1	1	1	1		
6	15611-921-000	CAP, OIL (NO GAUGE)	1	1	1	1	1	1		
7	16617-ZW9-000	HOLDER, CABLE	1	1	1	1	1	1		SC,SG
	16617-ZW9-010		1	1	1	1	1	1	1001801	LHC,LHD
8	35673-ZW5-003	SENSOR ASSY., WATER	1	1	1	1	1	1		
9	90003-ZW9-000	BOLT, FLANGE, 6X22	6	4	4	4	4	4		
10	90007-ZW9-003	BOLT, FLANGE, 8X83	6	6	6	6	6	6		
11	90011-ZW9-000	BOLT, FLANGE, 6X14(CT200)	1	1	1	1	1	1		
12	90020-ZW9-000	BOLT, FLANGE, 8X40	2	2	2	2	2	2		
13	91202-KJ9-003	OIL SEAL, 20X32X6	1	1	1	1	1	1		
14	91301-805-000	O-RING, 26X2.7	1	1	1	1	1	1		
15	91307-PK2-005	O-RING, 9.5X1.5(HONDA KIKAKI)	1	1	1	1	1	1		
16	98059-55916	PLUG, SPARK (CR5EH-9)	2	2	2	2	2	2		
	98059-55926	PLUG, SPARK (U16FER9)	2	2	2	2	2	2		

2000.09.20 E

Page No.

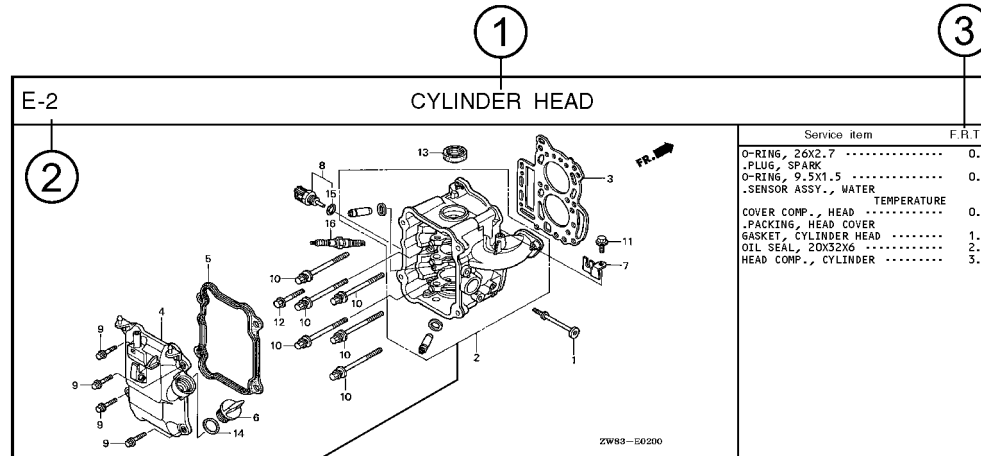
2021.04.10

E

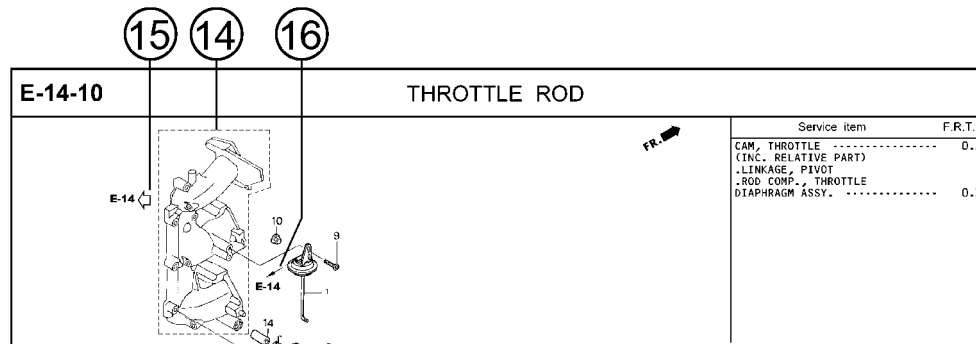
1

2

## Part catalogue structure



Ref. No.	Part No.	Description	Reqd. QTY						Serial No.	Parts catalogue code
			BF 9.9D1	BFP 9.9D1	BF 10D1	BFP 10D1	BF 10B1	BFP 10B1		
1	12166-zw9-000	STOPPER, ENGINE SIDE	2	2	2	2	2	2		
2	12210-zw9-000ZA	HEAD COMP., CYLINDER *NH8*.....DARK GRAY	1	1	1	1	1	1		
3	12251-zw9-003	GASKET, CYLINDER HEAD	1	1	1	1	1	1		
4	12310-zw9-000	COVER COMP., HEAD	1	1	1	1	1	1		
5	12312-zw9-000	PACKING, HEAD COVER	1	1	1	1	1	1		
6	15611-921-000	CAP, OIL (NO GAUGE)	1	1	1	1	1	1		
7	16617-zw9-000	HOLDER, CABLE	1	1	1	1	1	1	SC,SG	
	16617-zw9-010		1	1	1	1	1	1	1001800 LHC,LHD	



① Block title ② Block number

③ Service item/Flat rate time

④ Reference number

- Title number marked with the parenthesis or parentheses indicates that it continues from the previous page.

⑤ Part number ⑥ Honda color code

⑦ Description

⑧ Assemblies

- Sections framed with broken lines in the exploded view drawings are available as complete assemblies. (Their individual parts can also be obtained.)

⑨ Color description

⑩ Note

- Notes are shown with the parentheses in the part name column.

⑪ Required quantity

- Required QTY shown in the parenthesis or parentheses indicates the optional part.
- Required QTY marked with "N" Indicates the optional part that should be selected as needed.
- Required QTY indicates the number of the part used in the block.

⑫ Serial number

⑬ Type

- When the type column is blank, it indicates that the part is applicable to all types.
- As the type of the actual unit may differ from the "parts catalogue, type" please refer to "Models, types and applicable serial numbers" for confirmation.

⑭

- Parts enclosed within a dotted line are covered in a different block.

⑮

- A hollow arrow indicates the block No. for the parts enclosed within a dotted line.

⑯

- A solid arrow indicates the block No. the part in question is connected to.

**When the parts were revised**



Be sure to check the serial number!!



Ref. No.	Part No.	Description	Reqd. QTY						Serial No.
			BF 99D1	BFP 9.9D1	BF 10D1	BFP 10D1	BF 10B1	BFP 10B1	
1	12166-ZW9-000	STOPPER, ENGINE SIDE .....	2	2	2	2	2	2	
2	12210-ZW9-000ZA	HEAD COMP., CYLINDER *NH8*.....DARK GRAY	1	1	1	1	1	1	
3	12251-ZW9-003	GASKET, CYLINDER HEAD .....	1	1	1	1	1	1	
4	12310-ZW9-000	COVER COMP., HEAD .....	1	1	1	1	1	1	
5	12312-ZW9-000	PACKING, HEAD COVER .....	1	1	1	1	1	1	
6	15611-921-000	CAP, OIL (NO GAUGE) .....	1	1	1	1	1	1	
7	16617-ZW9-000	HOLDER, CABLE (###).....	1	1	1	1	1	1	SC, SG 1001800 LHC, LHD 1001801 LHC, LHD
	16617-ZW9-010	.....	1	1	1	1	1	1	

The number has been used from the initial model without revision. When shown at the left side, it is applicable to the models of No.1001801 and the subsequent numbers. When shown at the right side, it is applicable to the models up to No.1001800.

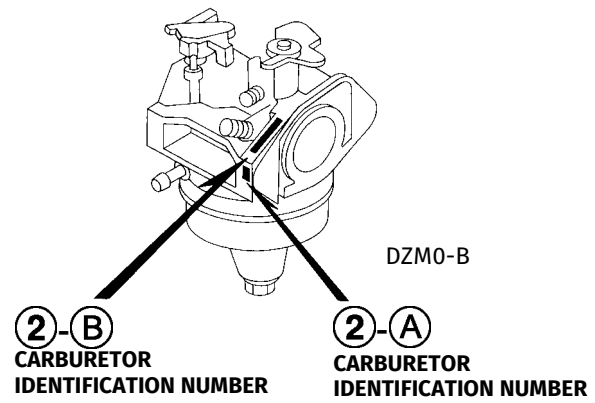
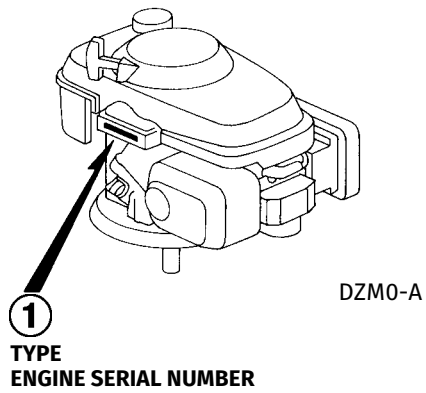
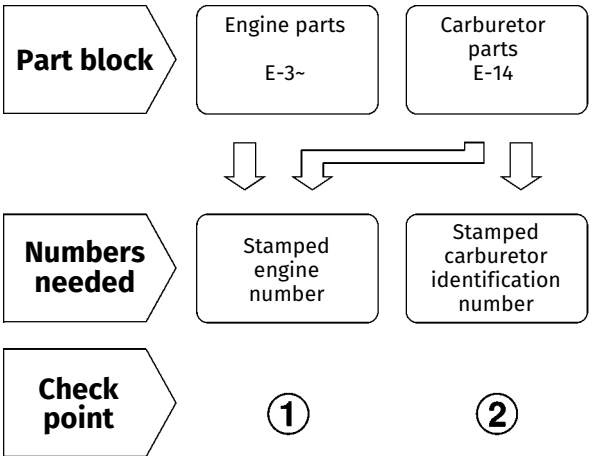
• The parts listed with "###" at the end of the parts name have limited supply period (parts not for sale).

**Abbreviations used in the parts catalogue**

• The following abbreviations are used in the parts name column.

- A ..... Ampere
- A.C. .... Alternating current
- ASSY. .... Assembly
- AT. .... Automatic transmission
- C.D.I. .... Capacitive discharge ignition
- COMP. .... Complete
- D.C. .... Direct current
- EX. .... Exhaust
- G.F.C.I. .... Ground fault circuit interruptor
- HEX. .... Hexagonal
- H.S.T. .... Hydrostatic transmission
- FR. .... Front
- IN. .... Inlet
- L (100L) ... Link (100 Links)
- L. .... Left
- MM ..... Millimeter
- MT. .... Manual Transmission
- P.T.O. .... Power take off
- R. .... Right
- RR. .... Rear
- STD. .... Standard
- T (22T) .... Tooth (22 Teeth)
- V ..... Volt
- W ..... Watt

## How to check the part block and serial numbers





## Models, parts catalogue codes and applicable serial numbers

- Models, parts catalogue codes and applicable serial Nos. given in this parts catalogue can be identified as follows.

Model	Type	Parts catalogue type	Applicable engine serial No.	Applicable carburetor identification No.	Model	Type	Parts catalogue type	Applicable engine serial No.	Applicable carburetor identification No.
GCV160	A1A	A1A	GJAE-1000001~9999999	BB62B C/D	GCV160	A2E9	A2E9	GJAE-1000001~9999999	BB62B D
	A1C	A1C		BB62A C/D BB62B D		A2G7	A2G7		
	A1E	A1E		BB62B D		A2R	A2R		
	A1E7	A1E7			A2U	A2U			
	A1E8	A1E8			A3E	A3E			
	A1G7	A1G7		BB62A C/D BB62B D	A4E	A4E	GJAE-1000001~1000107		
	A1J	A1J			BB62A C/D BB62B D	A7E1	A7E1	GJAE-1000001~9999999	BB62F A
	A1P	A1P		BB62B D		N1	N1		BB62A C/D BB62B D
	A1U	A1U			N1D	N1D			
	A1W2	A1W2		BB62B D	N1E1	N1E1			
	A1W7	A1W7			N1E2	N1E2			
	A2A	A2A		BB62B C/D	N1E7	N1E7	BB62B D		
	A2C	A2C			BB62A C/D BB62B D	N1J1			N1J1
	A2E	A2E		BB62B D		N1R			N1R
	A2E4	A2E4			BB62B D	N1U	N1U		BB62A C/D BB62B D
	A2E7	A2E7		N1W		N1W			
A2E8	A2E8	BB62B D	N1W1	N1W1		BB62B D			

Model	Type	Parts catalogue type	Applicable engine serial No.	Applicable carburetor identification No.
GCV160	N1W2	N1W2	GJAE-1000001~9999999	BB62B D
	N1W7	N1W7		
	N1W8	N1W8		
	N1W9	N1W9		
	N2	N2		BB62A C/D BB62B D
	N2D	N2D		
	N2E	N2E		
	N2E1	N2E1		
	N2E2	N2E2		
	N2E3	N2E3		BB62B D
	N2E7	N2E7		
	N2E8	N2E8		
	N2E9	N2E9		
	N2U	N2U		BB62A C/D BB62B D
	N3U	N3U		BB62B D
N3V	N3V	BB62A C/D BB62B D		
N7A1	N7A1	BB62F A		
GCV160A	A1A	A1A	GJAEA-1000001~5386302	BB62B D/E BB62W A
	A1AE	A1AE	GJAEA-1000001~9999999	BB62B D BB62H A/B BB65A A

Model	Type	Parts catalogue type	Applicable engine serial No.	Applicable carburetor identification No.
GCV160A	A1AF	A1AF	GJAEA-1000001~5386302	BB62B D BB62H A/B BB65A A
	A1AS	A1AS	GJAEA-1000001~9999999	BB62B D/E BB62W A
	A1AW	A1AW		BB62W A/B
	A1C	A1C	GJAEA-1000001~6699999	BB62B D/E BB62W A
	A1E	A1E		BB62B D/E
	A1E7	A1E7		BB62B D/E BB62W A/B
	A1E8	A1E8		BB62B D/E
	A1M	A1M	GJAEA-1000001~9999999	BB62B E BB62W A/B
	A1W7	A1W7	GJAEA-1000001~6699999	BB62B D/E
	A2A	A2A		BB62B D/E BB62W A
	A2C	A2C	GJAEA-1000001~9999999	BB62B D/E BB62W A/B
	A2E7	A2E7		BB62B D/E BB62W A/B
	A2E8	A2E8	GJAEA-1000001~6699999	BB62B D/E
	A2E9	A2E9		
	A2G7	A2G7	GJAEA-1000001~5386302	BB62B D/E BB62W A
	A2R	A2R		
	A3A	A3A	GJAEA-1000001~6699999	BB62B D BB62H A/B BB65A A
	A3E	A3E		BB62B D/E
A7E1	A7E1		BB62F A/B	



Model	Type	Parts catalogue type	Applicable engine serial No.	Applicable carburetor identification No.	
GCV160A	BHH	BHH	GJAEA-1000001~5386302	BB62B D/E BB62W A	
	BHH1	BHH1	GJAEA-1000001~6699999	BB62W A/B	
	C1E	C1E	GJAEA-1000001~9999999	BB62B E BB62W A/B	
	C1E1	C1E1			
	C2E	C2E			
	C2E1	C2E1			
	C3E	C3E			
	C3E1	C3E1			
	C4E	C4E			
	C4E1	C4E1			
	E1A2	E1A2		GJAEA-8000001~8018819	BB62B D/E
	E1A4	E1A4			
	E1G7	E1G7			
	E2G7	E2G7	GJAEA-8000001~9999999		
	E5A4	E5A4	GJAEA-8000001~8018819		
	EHHB	EHHB			
	N1A	N1A	GJAEA-1000001~5386302	BB62B D/E BB62W A	
	N1AF	N1AF		BB62B D BB62H A/B BB65A A	
	N1C	N1C	GJAEA-1000001~6699999	BB62B D/E BB62W A	
	N1E1	N1E1		BB62B D/E	

Model	Type	Parts catalogue type	Applicable engine serial No.	Applicable carburetor identification No.	
GCV160A	N1E7	N1E7	GJAEA-1000001~6699999	BB62B D/E	
	N1L	N1L		BB62B E BB62W A/B	
	N1R	N1R	GJAEA-1000001~9999999	BB62B D/E BB62W A/B	
	N1U	N1U			
	N1W7	N1W7	GJAEA-1000001~6699999	BB62B D/E	
	N1W8	N1W8			
	N1W9	N1W9			
	N2E7	N2E7			
	N2E8	N2E8			
	N2E9	N2E9	GJAEA-1000001~9999999	BB62B D/E BB62W A/B	
	N2U	N2U			
	N3U	N3U			
	N3V	N3V	GJAEA-1000001~9999999	BB62B D/E BB62W A	
	N5A	N5A			
	N5AF	N5AF	GJAEA-1000001~5386302	BB62B D BB62H A/B BB65A A	
	N5C	N5C	GJAEA-1000001~6699999	BB62B D/E BB62W A	
	N5MF	N5MF	GJAEA-1000001~5386302	BB65A A	
	N5R	N5R			
	N7A1	N7A1			BB62F A/B BB62Y A
	N7S1	N7S1			BB62F B BB62Y A

Model	Type	Parts catalogue type	Applicable engine serial No.	Applicable carburetor identification No.
GCV160A	NBL1	NBL1	GJAEA-1000001~9999999	BB62B E BB62W A
	R1A	R1A	GJAEA-8000001~8018819	BB62G A/B BB62Z A
	R3A	R3A		
	R3A1	R3A1		
	RTL1	RTL1	GJAEA-1000001~9999999	BB62G B BB62Z A
	S1A	S1A	GJAEA-1000001~5386302	BB62G A/B BB62Z A
	S1A1	S1A1	GJAEA-1000001~6699999	
	S1M	S1M	GJAEA-1000001~5386302	BB65E A
	S2G7	S2G7	GJAEA-1000001~9999999	BB65E A/B
	S3A	S3A	GJAEA-1000001~5386302	BB62G A/B BB62Z A
	S3A2	S3A2	GJAEA-1000001~9999999	BB62S A BB65E A
	S3H	S3H	GJAEA-1000001~5386302	BB62G B BB62Z A/B
	S3H2	S3H2	GJAEA-1000001~9999999	
	STA1	STA1	GJAEA-1000001~6699999	BB62G A/B BB62Z A
	STL1	STL1	GJAEA-1000001~9999999	BB62G B BB62Z A
GCV160A0	A1AW	A1AW	GJAPA-1000001~9999999	BB62W B/C BB65W A
	A1E7	A1E7		BB62W C
	A1G7	A1G7		BB62W B
	A1M	A1M	GJAPA-1300001~9999999	BB65W A
	A1UV	A1UV	GJAPA-1000001~9999999	BB62W B
	A2E7	A2E7	GJAPA-1000001~9999999	BB62W B

Model	Type	Parts catalogue type	Applicable engine serial No.	Applicable carburetor identification No.
GCV160A0	A2UA	A2UA	GJAPA-1300001~9999999	BB65W A
	A3G7	A3G7	GJAPA-1000001~9999999	BB62W C
	A3HV	A3HV		
	A3T9	A3T9		
	A4G4	A4G4		BB65W A
	A4G7	A4G7		BB62W C
	A7Q1	A7Q1	GJAPA-1000001~3599999	BB65V A
		A7Q1/A	GJAPA-3600001~	BB66A A
	BHH1	BHH1	GJAPA-1000001~9999999	BB62W B/C BB65W A
	C1E	C1E		BB62W B
	C1E1	C1E1		
	C2E	C2E		
	C2E1	C2E1		
	C3E	C3E		
	C3E1	C3E1		
	C4E	C4E		
	C4E1	C4E1		
	E2G7	E2G7		
	N1L	N1L		
	N1R	N1R		BB62W B
	N1U	N1U	GJAPA-1000001~3599999	BB62W B/C BB65W A



Model	Type	Parts catalogue type	Applicable engine serial No.	Applicable carburetor identification No.	Model	Type	Parts catalogue type	Applicable engine serial No.	Applicable carburetor identification No.	
GCV160AO	N1U	N1U/A	GJAPA-3600001~	BB65W A	GCV160AO	S4LE	S4LE	GJAPA-1000001~9999999	BB75G A	
	N2EE	N2EE	GJAPA-1000001~9999999	BB62W C		SBHE	SBHE		BB65W A	
	N2KE	N2KE		BB62W B/C BB65W A		SBTE	SBTE	GJAPA-1000001~	BB75E B/C	
	N2U	N2U		BB62W B/C BB65W A	GJAAE-1000001~9999999	A1E7	A1E7	BB62B D/E BB62W A		
	N3T8	N3T8		BB62W C		A1E8	A1E8			
	N3U	N3U		BB62W B/C BB65W A		A1G7	A1G7			
	N3V	N3V		BB62W B		A1G9	A1G9		BB62B D/E BB62W A/B/C	
	N5RE	N5RE		BB65A B		A1P	A1P			
	NBHT	NBHT		GJAPA-1300001~9999999		BB62W C	A1W7	A1W7	BB62B D/E BB62W A	
	R3LE	R3LE		GJAPA-1000001~9999999		BB75G A	A2A9	A2A9	GJAAE-1000001~2075802	BB62B D/E
	S2G7	S2G7				BB75E B	A2E7	A2E7	GJAAE-1000001~9999999	BB62B D/E BB62W A
	S3AL	S3AL	GJAPA-1300001~9999999	BB75G A BB76F A		A2E8	A2E8			
	S3DB	S3DB	GJAPA-1300001~	BB62Z B/C BB65U A		A2E9	A2E9	BB62B D/E BB62W A/B/C		
	S3H2	S3H2	GJAPA-1000001~9999999		BB76A A	A2G4	A2G4			
	S3HB	S3HB			BB75G A	A2G7	A2G7			
	S3LE	S3LE		BB75E B/C	A2G9	A2G9	BB62B D/E BB62W A			
	S3TE	S3TE	GJAPA-1000001~	BB75E B/C	A2R	A2R				
	S4BB	S4BB	GJAPA-1000001~9999999	BB75G A BB76F A	A3E7	A3E7	BB62B D/E BB62W A/B/C			
	S4G7	S4G7		BB75J A	A3E9	A3E9	BB62B E BB62W A/B/C			
	S4GB	S4GB		BB75G A BB76A A BB76F A	A3G9	A3G9	BB62W A/B/C			
S4HB	S4HB	BB65W A		A3HV	A3HV					



Model	Type	Parts catalogue type	Applicable engine serial No.	Applicable carburetor identification No.
GCV160E	A3T9	A3T9	GJAAE-1000001~9999999	BB62B E BB62W A/B/C
	A3W7	A3W7		
	A3W8	A3W8		
	A4EV	A4EV		BB62W C BB65W A
	A4G4	A4G4		BB62W A/B/C
	A4G7	A4G7		
	A4G9	A4G9		
	A7E1	A7E1		BB62F A/B BB62Y B/C
	A7Q1	A7Q1		BB62Y C
	N1D	N1D		BB62B D/E BB62W A
	N1E1	N1E1		
	N1E2	N1E2		
	N1E7	N1E7		
	N1J1	N1J1		BB62B D/E BB62W A/B/C
	N1R	N1R		BB62B D/E BB62W A
	N1T8	N1T8		BB62B D/E BB62W A/B/C
	N1T9	N1T9		
	N1W7	N1W7		
	N1W8	N1W8		BB62B D/E BB62W A

Model	Type	Parts catalogue type	Applicable engine serial No.	Applicable carburetor identification No.
GCV160E	N1W9	N1W9	GJAAE-1000001~9999999	BB62B D/E BB62W A
	N2E7	N2E7		BB62B D/E BB62W A/B/C
	N2E8	N2E8		BB62B D/E BB62W A
	N2E9	N2E9		BB62W B/C
	N2EE	N2EE		BB62B E BB62W A/B/C
	N3T8	N3T8		BB62B E BB62W A
	N3T9	N3T9		BB62B E BB62W A/B/C
	N3W8	N3W8		BB62F A/B BB62Y A
	N3W9	N3W9		BB62Z B
	N7A1	N7A1		GJAAE-1000001~2075802
	S1E1	S1E1	GJAAE-1000001~9999999	BB62G A/B BB62Z B
	S1G4	S1G4		BB65E A BB75E C
	S2E	S2E		BB65K A BB75D A
	S2E1	S2E1		BB65E A BB75E C
	S2E2	S2E2		BB65K A BB75D A
	S2E3	S2E3		BB65E A BB75E C
	S3E9	S3E9		BB65K A BB75D A
	S3G9	S3G9		BB65E A BB75E C
	S4E4	S4E4		BB65K A BB75D A
	S4E4	S4E4		BB65E A BB75E C

Model	Type	Parts catalogue type	Applicable engine serial No.	Applicable carburetor identification No.	Model	Type	Parts catalogue type	Applicable engine serial No.	Applicable carburetor identification No.
GCV160E	S4E9	S4E9	GJAAE-1000001~9999999	BB65E A BB75E C	GCV160LA	S1M	S1M	GJAEA-5386303~9999999	BB65E A/B
	S4G4	S4G4		BB65K A BB75D A		S3A	S3A		BB62Z A/B
	S4G9	S4G9		BB75E C		S3H	S3H		BB65E A/B
	S4H4	S4H4		GCV160LE	BB62W A/B/C	A1A	A1A	GJARA-1000001~9999999	BB62W B/C BB65W A
A2A9	A2A9	A1AF	A1AF			BB65A B			
A4A9	A4A9	A2R	A2R			BB62W B/C BB65W A			
A7H1	A7H1	A7H1	A7H1			BB65V A			
GCV160LA	N7A1	N7A1	GJAEA-5386303~9999999	BB62Y B/C BB65V A	BHH	BHH	GJARA-1000001~9999999	BB62W B/C BB65W A	
	A1A	A1A		BB62W A/B	E1A2	E1A2		BB62W B	
					A1AF	A1AF		BB65A A/B	
					A2R	A2R		BB71A A	
	BHH	BHH	BB62W A/B	G5AF	G5AF	BB62W A/B			
	E1A2	E1A2	BB62W A	G5B	G5B			BB76B A	
				N1A	N1A			BB71A A	
	N1AF	N1AF	GJAEA-5386303~9999999	BB65A A/B	G5MF			G5MF	BB62W B/C BB65W A
	N5AF	N5AF			N1A			N1A	BB65A B/C BB71A A
	N5MF	N5MF			N1AF			N1AF	
	N5R	N5R			N5AF			N5AF	BB76B A
	N7A1	N7A1	BB62Y A	N5B	N5B			BB65A B/C BB71A A	
				N7S1	N7S1				N5BR
R3A	R3A	GJAEA-8018820~9999999	BB62Z A/B	N5MF	N5MF				
S1A	S1A			GJAEA-5386303~9999999	BB62Z A/B	N5R	N5R		
		N5RB	N5RB			BB62Y B			
				N7A1	N7A1				

Model	Type	Parts catalogue type	Applicable engine serial No.	Applicable carburetor identification No.
GCV160LA0	N7S1	N7S1	GJARA-1000001~9999999	BB62Y B/C BB65V A
	R3A	R3A		BB62Z B/C BB65U A
	R3L	R3L		BB75G A
	S1A	S1A		BB62Z B
	S1M	S1M		BB75E A
	S3A	S3A		BB62Z B/C BB65U A
	S3B	S3B		BB76A A
	S3DB	S3DB		BB75G A BB76A A
	S3H	S3H		BB75E A/C BB75G A
	S3L	S3L		BB75G A
	S3LB	S3LB		BB76A A
	S3T	S3T		BB75E B/C BB75G A
	SBA	SBA		BB65W A
	SBH	SBH		
	SBL	SBL		
SBT	SBT	BB75E B/C BB75G A		
GCV160LA1	A1A	A1A	GJATA-1000001~1999999	BB65W A
		A1A/A	GJATA-2000001~	
	A2R	A2R	GJATA-1000001~1999999	
		A2R/A	GJATA-2000001~	

Model	Type	Parts catalogue type	Applicable engine serial No.	Applicable carburetor identification No.
GCV160LA1	A7H1	A7H1	GJATA-1000001~1999999	BB65V A
		A7H1/A	GJATA-2000001~	BB66A A
	A7X1	A7X1		
	G5AF	G5AF	GJATA-1000001~1999999	BB71A A
		G5AF/A	GJATA-2000001~	
	G5B	G5B	GJATA-1000001~1999999	BB76B A
		G5B/A	GJATA-2000001~	
	G5BR	G5BR	GJATA-1000001~1999999	
		G5BR/A	GJATA-2000001~	
	G5MF	G5MF	GJATA-1000001~1999999	BB71A A
		G5MF/A	GJATA-2000001~	
	N1A	N1A	GJATA-1000001~1999999	BB65W A
		N1A/A	GJATA-2000001~	
	N5AF	N5AF	GJATA-1000001~1999999	BB71A A
		N5AF/A	GJATA-2000001~9999999	
	N5B	N5B	GJATA-1000001~1999999	BB76B A
		N5B/A	GJATA-2000001~9999999	
N5BR	N5BR	GJATA-1000001~1999999		
	N5BR/A	GJATA-2000001~9999999		
S3B	S3B	GJATA-1000001~1999999	BB76A A	





Model	Type	Parts catalogue type	Applicable engine serial No.	Applicable carburetor identification No.
GCV160LA1	S3B	S3B/A	GJATA-2000001~	BB76A A
	S3LB	S3LB	GJATA-1000001~1999999	
		S3LB/A	GJATA-2000001~9999999	
	SBA	SBA	GJATA-1000001~1999999	BB65W A
		SBA/A	GJATA-2000001~9999999	
	SBH	SBH	GJATA-1000001~1999999	
		SBH/A	GJATA-2000001~9999999	
	SBT	SBT	GJATA-1000001~1999999	BB75G A
SBT/A		GJATA-2000001~	BB75J B	

\* Of carburetor identification numbers, only the portions underlined in the example below are used for registration.

BB 62B C KC ナ  
 (A) (B)

## Features of each type

• See the following table for the features of each type. (Items in brackets are optional)

Specifications		Model	GCV160														
		Type	A1A	A1C	A1E	A1E7	A1E8	A1G7	A1J	A1P	A1U	A1W2	A1W7	A2A	A2C	A2E	A2E4
Crankshaft	20mm Ø Straight (133.8mm)																
	22.2mm Ø Straight (51.4mm)																
	22.2mm Ø Straight (68.4mm) (Depth 24mm)													●	●	●	●
	22.2mm Ø Straight (68.4mm) (Depth 52mm)																
	22.2mm Ø Straight (86.7mm) (3/8-24 UNF)	●	●	●	●	●	●	●	●	●	●	●					
	25mm Ø Straight (68.4mm)																
	25mm Ø Straight (86.7mm) (3/8-24 UNF)																
	25mm Ø Straight (86.7mm) (7/16-20 UNF)																
	M14 Stepped thread (78.9mm)																
	22.2mm Ø Straight (41mm) (3/8-24 UNF)																
	22.2mm Ø Straight (68.4mm) (Depth 29mm)																
	22.2mm Ø Straight (68.4mm) (Depth 57mm)																
	Recoil starter																
Recoil starter (Long rope)		●	●	●	●	●	●	●	●	●	●	●	●	●	●	●	●
Flywheel brake		●	●	●	●	●	●	●	●	●	●	●	●	●	●	●	●
Starter motor																	

Specifications		Model	GCV160															
		Type	A2E7	A2E8	A2E9	A2G7	A2R	A2U	A3E	A4E	A7E1	N1	N1D	N1E1	N1E2	N1E7	N1J1	
Crankshaft	20mm Ø Straight (133.8mm)																	
	22.2mm Ø Straight (51.4mm)																	
	22.2mm Ø Straight (68.4mm) (Depth 24mm)	●	●	●	●	●	●											
	22.2mm Ø Straight (68.4mm) (Depth 52mm)									●								
	22.2mm Ø Straight (86.7mm) (3/8-24 UNF)											●	●	●	●	●	●	
	25mm Ø Straight (68.4mm)									●								
	25mm Ø Straight (86.7mm) (3/8-24 UNF)								●									
	25mm Ø Straight (86.7mm) (7/16-20 UNF)																	
	M14 Stepped thread (78.9mm)																	
	22.2mm Ø Straight (41mm) (3/8-24 UNF)																	
	22.2mm Ø Straight (68.4mm) (Depth 29mm)																	
	22.2mm Ø Straight (68.4mm) (Depth 57mm)																	
Recoil starter						●				●		●	●	●	●	●	●	
Recoil starter (Long rope)		●	●	●	●		●	●	●		●							
Flywheel brake		●	●	●	●		●	●	●	●	●							
Starter motor																		

Specifications		Model	GCV160														
		Type	N1R	N1U	N1W	N1W1	N1W2	N1W7	N1W8	N1W9	N2	N2D	N2E	N2E1	N2E2	N2E3	N2E7
Crankshaft	20mm Ø Straight (133.8mm)																
	22.2mm Ø Straight (51.4mm)																
	22.2mm Ø Straight (68.4mm) (Depth 24mm)										●	●	●	●	●	●	●
	22.2mm Ø Straight (68.4mm) (Depth 52mm)																
	22.2mm Ø Straight (86.7mm) (3/8-24 UNF)	●	●	●	●	●	●	●	●								
	25mm Ø Straight (68.4mm)																
	25mm Ø Straight (86.7mm) (3/8-24 UNF)																
	25mm Ø Straight (86.7mm) (7/16-20 UNF)																
	M14 Stepped thread (78.9mm)																
	22.2mm Ø Straight (41mm) (3/8-24 UNF)																
	22.2mm Ø Straight (68.4mm) (Depth 29mm)																
	22.2mm Ø Straight (68.4mm) (Depth 57mm)																
Recoil starter			●									●	●	●	●	●	●
Recoil starter (Long rope)		●		●	●	●	●	●	●	●							
Flywheel brake										●							
Starter motor																	

Specifications		Model	GCV160					GCV160A										
		Type	N2E8	N2E9	N2U	N3U	N3V	N7A1	A1A	A1AE	A1AF	A1AS	A1AW	A1C	A1E	A1E7	A1E8	
Crankshaft	20mm Ø Straight (133.8mm)																	
	22.2mm Ø Straight (51.4mm)																	
	22.2mm Ø Straight (68.4mm) (Depth 24mm)	●	●	●														
	22.2mm Ø Straight (68.4mm) (Depth 52mm)						●											
	22.2mm Ø Straight (86.7mm) (3/8-24 UNF)							●	●	●	●	●	●	●	●	●	●	
	25mm Ø Straight (68.4mm)																	
	25mm Ø Straight (86.7mm) (3/8-24 UNF)				●	●												
	25mm Ø Straight (86.7mm) (7/16-20 UNF)																	
	M14 Stepped thread (78.9mm)																	
	22.2mm Ø Straight (41mm) (3/8-24 UNF)																	
	22.2mm Ø Straight (68.4mm) (Depth 29mm)																	
	22.2mm Ø Straight (68.4mm) (Depth 57mm)																	
Recoil starter		●	●	●		●	●											
Recoil starter (Long rope)					●			●	●	●	●	●	●	●	●	●	●	
Flywheel brake								●	●	●	●	●	●	●	●	●	●	
Starter motor																		

Specifications		Model	GCV160A													
		Type	A1M	A1W7	A2A	A2C	A2E7	A2E8	A2E9	A2G7	A2R	A3A	A3E	A7E1	BHH	BHH1
Crankshaft	20mm Ø Straight (133.8mm)													●	●	
	22.2mm Ø Straight (51.4mm)															
	22.2mm Ø Straight (68.4mm) (Depth 24mm)			●	●	●	●	●	●	●						
	22.2mm Ø Straight (68.4mm) (Depth 52mm)												●			
	22.2mm Ø Straight (86.7mm) (3/8-24 UNF)	●	●													●
	25mm Ø Straight (68.4mm)															
	25mm Ø Straight (86.7mm) (3/8-24 UNF)											●	●			
	25mm Ø Straight (86.7mm) (7/16-20 UNF)															
	M14 Stepped thread (78.9mm)															
	22.2mm Ø Straight (41mm) (3/8-24 UNF)															
	22.2mm Ø Straight (68.4mm) (Depth 29mm)															
	22.2mm Ø Straight (68.4mm) (Depth 57mm)															
Recoil starter										●			●			
Recoil starter (Long rope)		●	●	●	●	●	●	●	●		●	●		●	●	●
Flywheel brake		●	●	●	●	●	●	●	●		●	●	●			●
Starter motor																●

Specifications		Model	GCV160A														
		Type	C1E1	C2E	C2E1	C3E	C3E1	C4E	C4E1	E1A2	E1A4	E1G7	E2G7	E5A4	EHHB	N1A	N1AF
Crankshaft	20mm Ø Straight (133.8mm)														●		
	22.2mm Ø Straight (51.4mm)													●			
	22.2mm Ø Straight (68.4mm) (Depth 24mm)		●	●									●				
	22.2mm Ø Straight (68.4mm) (Depth 52mm)																
	22.2mm Ø Straight (86.7mm) (3/8-24 UNF)	●								●	●	●				●	●
	25mm Ø Straight (68.4mm)							●	●								
	25mm Ø Straight (86.7mm) (3/8-24 UNF)				●	●											
	25mm Ø Straight (86.7mm) (7/16-20 UNF)																
	M14 Stepped thread (78.9mm)																
	22.2mm Ø Straight (41mm) (3/8-24 UNF)																
	22.2mm Ø Straight (68.4mm) (Depth 29mm)																
	22.2mm Ø Straight (68.4mm) (Depth 57mm)																
	Recoil starter										●			●		●	●
Recoil starter (Long rope)	●	●	●	●	●	●	●	●	●		●	●		●			
Flywheel brake	●	●	●	●	●	●	●	●			●	●					
Starter motor	●	●	●	●	●	●	●	●	●	●	●	●	●	●			

Specifications		Model	GCV160A														
		Type	N1C	N1E1	N1E7	N1L	N1R	N1U	N1W7	N1W8	N1W9	N2E7	N2E8	N2E9	N2U	N3U	N3V
Crankshaft	20mm Ø Straight (133.8mm)																
	22.2mm Ø Straight (51.4mm)																
	22.2mm Ø Straight (68.4mm) (Depth 24mm)										●	●	●	●			
	22.2mm Ø Straight (68.4mm) (Depth 52mm)																
	22.2mm Ø Straight (86.7mm) (3/8-24 UNF)	●	●	●	●	●	●	●	●	●							
	25mm Ø Straight (68.4mm)																
	25mm Ø Straight (86.7mm) (3/8-24 UNF)															●	●
	25mm Ø Straight (86.7mm) (7/16-20 UNF)																
	M14 Stepped thread (78.9mm)																
	22.2mm Ø Straight (41mm) (3/8-24 UNF)																
	22.2mm Ø Straight (68.4mm) (Depth 29mm)																
	22.2mm Ø Straight (68.4mm) (Depth 57mm)																
Recoil starter		●	●	●	●		●				●	●	●	●			●
Recoil starter (Long rope)						●		●	●	●						●	
Flywheel brake																	
Starter motor																	



Specifications		Model	GCV160A														
		Type	N5A	N5AF	N5C	N5MF	N5R	N7A1	N7S1	NBL1	R1A	R3A	R3A1	RTL1	S1A	S1A1	S1M
Crankshaft	20mm Ø Straight (133.8mm)																
	22.2mm Ø Straight (51.4mm)	●	●	●	●	●											
	22.2mm Ø Straight (68.4mm) (Depth 24mm)																
	22.2mm Ø Straight (68.4mm) (Depth 52mm)						●	●									
	22.2mm Ø Straight (86.7mm) (3/8-24 UNF)									●					●	●	●
	25mm Ø Straight (68.4mm)																
	25mm Ø Straight (86.7mm) (3/8-24 UNF)											●					
	25mm Ø Straight (86.7mm) (7/16-20 UNF)												●	●			
	M14 Stepped thread (78.9mm)									●							
	22.2mm Ø Straight (41mm) (3/8-24 UNF)																
	22.2mm Ø Straight (68.4mm) (Depth 29mm)																
	22.2mm Ø Straight (68.4mm) (Depth 57mm)																
Recoil starter		●	●	●	●	●	●	●									
Recoil starter (Long rope)									●	●	●	●	●	●	●	●	●
Flywheel brake										●	●	●	●	●	●	●	●
Starter motor										●	●	●	●				

Specifications		Model	GCV160A						GCV160A0								
		Type	S2G7	S3A	S3A2	S3H	S3H2	STA1	STL1	A1AW	A1E7	A1G7	A1M	A1UV	A2E7	A2UA	A3G7
Crankshaft	20mm Ø Straight (133.8mm)																
	22.2mm Ø Straight (51.4mm)																
	22.2mm Ø Straight (68.4mm) (Depth 24mm)	●												●			
	22.2mm Ø Straight (68.4mm) (Depth 52mm)																
	22.2mm Ø Straight (86.7mm) (3/8-24 UNF)								●	●	●	●	●				
	25mm Ø Straight (68.4mm)																
	25mm Ø Straight (86.7mm) (3/8-24 UNF)		●	●	●	●											●
	25mm Ø Straight (86.7mm) (7/16-20 UNF)						●	●									
	M14 Stepped thread (78.9mm)																
	22.2mm Ø Straight (41mm) (3/8-24 UNF)																
	22.2mm Ø Straight (68.4mm) (Depth 29mm)															●	
	22.2mm Ø Straight (68.4mm) (Depth 57mm)																
Recoil starter																	
Recoil starter (Long rope)		●	●	●	●	●	●	●	●	●	●	●	●	●	●	●	
Flywheel brake		●	●	●	●	●	●	●	●	●	●	●	●	●	●	●	
Starter motor																	

Specifications		Model	GCV160A0														
		Type	A3HV	A3T9	A4G4	A4G7	A7Q1	BHH1	C1E	C1E1	C2E	C2E1	C3E	C3E1	C4E	C4E1	E2G7
Crankshaft	20mm Ø Straight (133.8mm)						●										
	22.2mm Ø Straight (51.4mm)																
	22.2mm Ø Straight (68.4mm) (Depth 24mm)									●	●						●
	22.2mm Ø Straight (68.4mm) (Depth 52mm)																
	22.2mm Ø Straight (86.7mm) (3/8-24 UNF)							●	●								
	25mm Ø Straight (68.4mm)			●	●										●	●	
	25mm Ø Straight (86.7mm) (3/8-24 UNF)	●	●										●	●			
	25mm Ø Straight (86.7mm) (7/16-20 UNF)																
	M14 Stepped thread (78.9mm)																
	22.2mm Ø Straight (41mm) (3/8-24 UNF)																
	22.2mm Ø Straight (68.4mm) (Depth 29mm)																
	22.2mm Ø Straight (68.4mm) (Depth 57mm)						●										
	Recoil starter						●										
Recoil starter (Long rope)	●	●	●	●		●	●	●	●	●	●	●	●	●	●	●	
Flywheel brake	●	●	●	●	●		●	●	●	●	●	●	●	●	●	●	
Starter motor							●	●	●	●	●	●	●	●	●	●	

Specifications		Model	GCV160A0															
		Type	N1L	N1R	N1U	N2EE	N2KE	N2U	N3T8	N3U	N3V	N5RE	NBHT	R3LE	S2G7	S3AL	S3DB	
Crankshaft	20mm Ø Straight (133.8mm)																	
	22.2mm Ø Straight (51.4mm)										●							
	22.2mm Ø Straight (68.4mm) (Depth 24mm)						●							●				
	22.2mm Ø Straight (68.4mm) (Depth 52mm)																	
	22.2mm Ø Straight (86.7mm) (3/8-24 UNF)	●	●	●														
	25mm Ø Straight (68.4mm)																	
	25mm Ø Straight (86.7mm) (3/8-24 UNF)								●	●	●			●		●	●	
	25mm Ø Straight (86.7mm) (7/16-20 UNF)																	
	M14 Stepped thread (78.9mm)												●					
	22.2mm Ø Straight (41mm) (3/8-24 UNF)																	
	22.2mm Ø Straight (68.4mm) (Depth 29mm)				●	●	●											
22.2mm Ø Straight (68.4mm) (Depth 57mm)																		
Recoil starter		●		●	●		●			●	●							
Recoil starter (Long rope)			●			●			●	●		●	●	●	●	●	●	
Flywheel brake													●	●	●	●		
Starter motor													●					

Specifications		Model	GCV160A0										GCV160E				
		Type	S3H2	S3HB	S3LE	S3TE	S4BB	S4G7	S4GB	S4HB	S4LE	SBHE	SBTE	A1E7	A1E8	A1G7	A1G9
Crankshaft	20mm Ø Straight (133.8mm)																
	22.2mm Ø Straight (51.4mm)																
	22.2mm Ø Straight (68.4mm) (Depth 24mm)																
	22.2mm Ø Straight (68.4mm) (Depth 52mm)																
	22.2mm Ø Straight (86.7mm) (3/8-24 UNF)												●	●	●	●	
	25mm Ø Straight (68.4mm)					●	●	●	●	●							
	25mm Ø Straight (86.7mm) (3/8-24 UNF)	●	●	●	●												
	25mm Ø Straight (86.7mm) (7/16-20 UNF)																
	M14 Stepped thread (78.9mm)												●				
	22.2mm Ø Straight (41mm) (3/8-24 UNF)											●					
	22.2mm Ø Straight (68.4mm) (Depth 29mm)																
	22.2mm Ø Straight (68.4mm) (Depth 57mm)																
Recoil starter																	
Recoil starter (Long rope)		●	●	●	●	●	●	●	●	●	●	●	●	●	●	●	●
Flywheel brake		●	●	●	●	●	●	●	●	●			●	●	●	●	
Starter motor																	

Specifications		Model	GCV160E														
		Type	A1P	A1W7	A2A9	A2E7	A2E8	A2E9	A2G4	A2G7	A2G9	A2R	A3E7	A3E9	A3G9	A3HV	A3T9
Crankshaft	20mm Ø Straight (133.8mm)																
	22.2mm Ø Straight (51.4mm)																
	22.2mm Ø Straight (68.4mm) (Depth 24mm)			●	●	●	●	●	●	●	●						
	22.2mm Ø Straight (68.4mm) (Depth 52mm)																
	22.2mm Ø Straight (86.7mm) (3/8-24 UNF)	●	●														
	25mm Ø Straight (68.4mm)																
	25mm Ø Straight (86.7mm) (3/8-24 UNF)												●	●	●	●	●
	25mm Ø Straight (86.7mm) (7/16-20 UNF)																
	M14 Stepped thread (78.9mm)																
	22.2mm Ø Straight (41mm) (3/8-24 UNF)																
	22.2mm Ø Straight (68.4mm) (Depth 29mm)																
	22.2mm Ø Straight (68.4mm) (Depth 57mm)																
Recoil starter											●						
Recoil starter (Long rope)		●	●	●	●	●	●	●	●	●		●	●	●	●	●	
Flywheel brake		●	●	●	●	●	●	●	●	●		●	●	●	●	●	
Starter motor																	

Specifications		Model	GCV160E															
		Type	A3W7	A3W8	A4EV	A4G4	A4G7	A4G9	A7E1	A7Q1	N1D	N1E1	N1E2	N1E7	N1J1	N1R	N1T8	
Crankshaft	20mm Ø Straight (133.8mm)																	
	22.2mm Ø Straight (51.4mm)																	
	22.2mm Ø Straight (68.4mm) (Depth 24mm)																	
	22.2mm Ø Straight (68.4mm) (Depth 52mm)							●	●									
	22.2mm Ø Straight (86.7mm) (3/8-24 UNF)									●	●	●	●	●	●	●	●	
	25mm Ø Straight (68.4mm)			●	●	●	●											
	25mm Ø Straight (86.7mm) (3/8-24 UNF)	●	●															
	25mm Ø Straight (86.7mm) (7/16-20 UNF)																	
	M14 Stepped thread (78.9mm)																	
	22.2mm Ø Straight (41mm) (3/8-24 UNF)																	
	22.2mm Ø Straight (68.4mm) (Depth 29mm)																	
	22.2mm Ø Straight (68.4mm) (Depth 57mm)																	
Recoil starter								●	●	●	●	●	●	●				
Recoil starter (Long rope)		●	●	●	●	●	●								●	●		
Flywheel brake		●	●	●	●	●	●	●	●									
Starter motor																		

Specifications		Model	GCV160E														
		Type	N1T9	N1W7	N1W8	N1W9	N2E7	N2E8	N2E9	N2EE	N3T8	N3T9	N3W8	N3W9	N7A1	S1E1	S1G4
Crankshaft	20mm Ø Straight (133.8mm)																
	22.2mm Ø Straight (51.4mm)																
	22.2mm Ø Straight (68.4mm) (Depth 24mm)					●	●	●	●								
	22.2mm Ø Straight (68.4mm) (Depth 52mm)														●		
	22.2mm Ø Straight (86.7mm) (3/8-24 UNF)	●	●	●	●											●	●
	25mm Ø Straight (68.4mm)																
	25mm Ø Straight (86.7mm) (3/8-24 UNF)										●	●	●	●			
	25mm Ø Straight (86.7mm) (7/16-20 UNF)																
	M14 Stepped thread (78.9mm)																
	22.2mm Ø Straight (41mm) (3/8-24 UNF)																
	22.2mm Ø Straight (68.4mm) (Depth 29mm)																
	22.2mm Ø Straight (68.4mm) (Depth 57mm)																
Recoil starter						●	●	●	●						●		
Recoil starter (Long rope)		●	●	●	●					●	●	●	●		●	●	
Flywheel brake															●		
Starter motor																	



Specifications		Model	GCV160E										GCV160LE				
		Type	S2E	S2E1	S2E2	S2E3	S3E9	S3G9	S4E4	S4E9	S4G4	S4G9	S4H4	A2A9	A4A9	A7H1	N7A1
Crankshaft	20mm Ø Straight (133.8mm)																
	22.2mm Ø Straight (51.4mm)																
	22.2mm Ø Straight (68.4mm) (Depth 24mm)	●	●	●	●								●				
	22.2mm Ø Straight (68.4mm) (Depth 52mm)															●	●
	22.2mm Ø Straight (86.7mm) (3/8-24 UNF)																
	25mm Ø Straight (68.4mm)							●	●	●	●	●		●			
	25mm Ø Straight (86.7mm) (3/8-24 UNF)					●	●										
	25mm Ø Straight (86.7mm) (7/16-20 UNF)																
	M14 Stepped thread (78.9mm)																
	22.2mm Ø Straight (41mm) (3/8-24 UNF)																
	22.2mm Ø Straight (68.4mm) (Depth 29mm)																
	22.2mm Ø Straight (68.4mm) (Depth 57mm)																
Recoil starter																●	●
Recoil starter (Long rope)		●	●	●	●	●	●	●	●	●	●	●	●	●			
Flywheel brake		●	●	●	●	●	●	●	●	●	●	●	●	●	●		
Starter motor																	

Specifications		Model	GCV160LA														
		Type	A1A	A1AF	A2R	BHH	E1A2	N1A	N1AF	N5AF	N5MF	N5R	N7A1	N7S1	R3A	S1A	S1M
Crankshaft	20mm Ø Straight (133.8mm)				●												
	22.2mm Ø Straight (51.4mm)								●	●	●						
	22.2mm Ø Straight (68.4mm) (Depth 24mm)			●													
	22.2mm Ø Straight (68.4mm) (Depth 52mm)											●	●				
	22.2mm Ø Straight (86.7mm) (3/8-24 UNF)	●	●			●	●	●								●	●
	25mm Ø Straight (68.4mm)																
	25mm Ø Straight (86.7mm) (3/8-24 UNF)														●		
	25mm Ø Straight (86.7mm) (7/16-20 UNF)																
	M14 Stepped thread (78.9mm)																
	22.2mm Ø Straight (41mm) (3/8-24 UNF)																
	22.2mm Ø Straight (68.4mm) (Depth 29mm)																
	22.2mm Ø Straight (68.4mm) (Depth 57mm)																
Recoil starter				●			●	●	●	●	●	●	●				
Recoil starter (Long rope)		●	●		●	●								●	●	●	
Flywheel brake		●	●			●								●	●	●	
Starter motor						●								●			

Specifications		Model	GCV160LA0													
		Type	GCV160LA		GCV160LA0											
		S3A	S3H	A1A	A1AF	A2R	A7H1	BHH	E1A2	G5AF	G5B	G5BR	G5MF	N1A	N1AF	N5AF
Crankshaft	20mm Ø Straight (133.8mm)							●								
	22.2mm Ø Straight (51.4mm)									●	●	●	●			●
	22.2mm Ø Straight (68.4mm) (Depth 24mm)					●										
	22.2mm Ø Straight (68.4mm) (Depth 52mm)															
	22.2mm Ø Straight (86.7mm) (3/8-24 UNF)			●	●				●					●	●	
	25mm Ø Straight (68.4mm)															
	25mm Ø Straight (86.7mm) (3/8-24 UNF)	●	●													
	25mm Ø Straight (86.7mm) (7/16-20 UNF)															
	M14 Stepped thread (78.9mm)															
	22.2mm Ø Straight (41mm) (3/8-24 UNF)															
	22.2mm Ø Straight (68.4mm) (Depth 29mm)					●										
22.2mm Ø Straight (68.4mm) (Depth 57mm)							●									
Recoil starter						●	●			●	●	●	●	●	●	●
Recoil starter (Long rope)		●	●	●	●			●	●							
Flywheel brake		●	●	●	●		●		●							
Starter motor									●							

Specifications		Model	GCV160LA0														
		Type	N5B	N5BR	N5MF	N5R	N5RB	N7A1	N7S1	R3A	R3L	S1A	S1M	S3A	S3B	S3DB	S3H
Crankshaft	20mm Ø Straight (133.8mm)																
	22.2mm Ø Straight (51.4mm)	●	●	●	●	●											
	22.2mm Ø Straight (68.4mm) (Depth 24mm)																
	22.2mm Ø Straight (68.4mm) (Depth 52mm)						●	● ~3688985									
	22.2mm Ø Straight (86.7mm) (3/8-24 UNF)										●	●					
	25mm Ø Straight (68.4mm)																
	25mm Ø Straight (86.7mm) (3/8-24 UNF)								●	●				●	●	●	●
	25mm Ø Straight (86.7mm) (7/16-20 UNF)																
	M14 Stepped thread (78.9mm)																
	22.2mm Ø Straight (41mm) (3/8-24 UNF)																
	22.2mm Ø Straight (68.4mm) (Depth 29mm)																
	22.2mm Ø Straight (68.4mm) (Depth 57mm)							● 3688986~									
	Recoil starter	●	●	●	●	●	●	●	●								
Recoil starter (Long rope)									●	●	●	●	●	●	●	●	
Flywheel brake									●	●	●	●	●	●	●	●	
Starter motor									●	●							



Specifications		Model	GCV160LA0						GCV160LA1								
		Type	S3L	S3LB	S3T	SBA	SBH	SBL	SBT	A1A	A2R	A7H1	A7X1	G5AF	G5B	G5BR	G5MF
Crankshaft	20mm Ø Straight (133.8mm)						●										
	22.2mm Ø Straight (51.4mm)												●	●	●	●	
	22.2mm Ø Straight (68.4mm) (Depth 24mm)																
	22.2mm Ø Straight (68.4mm) (Depth 52mm)																
	22.2mm Ø Straight (86.7mm) (3/8-24 UNF)								●								
	25mm Ø Straight (68.4mm)																
	25mm Ø Straight (86.7mm) (3/8-24 UNF)	●	●	●													
	25mm Ø Straight (86.7mm) (7/16-20 UNF)																
	M14 Stepped thread (78.9mm)								●								
	22.2mm Ø Straight (41mm) (3/8-24 UNF)				●	●											
	22.2mm Ø Straight (68.4mm) (Depth 29mm)										●						
	22.2mm Ø Straight (68.4mm) (Depth 57mm)											●	●				
Recoil starter										●	●	●	●	●	●	●	
Recoil starter (Long rope)		●	●	●	●	●	●	●	●								
Flywheel brake		●	●	●					●		●	●					
Starter motor																	

Specifications		Model	GCV160LA1								
		Type	N1A	N5AF	N5B	N5BR	S3B	S3LB	SBA	SBH	SBT
Crankshaft	20mm Ø Straight (133.8mm)										
	22.2mm Ø Straight (51.4mm)		●	●	●						
	22.2mm Ø Straight (68.4mm) (Depth 24mm)										
	22.2mm Ø Straight (68.4mm) (Depth 52mm)										
	22.2mm Ø Straight (86.7mm) (3/8-24 UNF)	●									
	25mm Ø Straight (68.4mm)										
	25mm Ø Straight (86.7mm) (3/8-24 UNF)					●	●				
	25mm Ø Straight (86.7mm) (7/16-20 UNF)										
	M14 Stepped thread (78.9mm)										●
	22.2mm Ø Straight (41mm) (3/8-24 UNF)								●	●	
	22.2mm Ø Straight (68.4mm) (Depth 29mm)										
	22.2mm Ø Straight (68.4mm) (Depth 57mm)										
	Recoil starter		●	●	●	●					
Recoil starter (Long rope)						●	●	●	●	●	
Flywheel brake						●	●				
Starter motor											

## Fuel hose, general purpose hoses and vinyl hose

- The standard part fuel hose, general purpose hose and vinyl hose may be substituted by the coiled bulk part.
- When ordering the standard part fuel hose, general purpose hose and vinyl hose use the bulk part number written in the parts catalog in brackets ( ) underneath the part name.
- When exchanging the hose, cut and use at the specified length as mentioned in the part name.  
(For the method of cutting the bulk part, and method of filling out orders etc., please refer to the instructions issued with the bulk part.)

### Bulk part number of fuel hose, general purpose hose and vinyl hose.

Example: 9 5 0 0 1 - 7 5 0 0 1 - 5 0 M

**Bulk part number:**

Refers to the bulk part.

**Marking code (fuel hose and general purpose hose)**

**Change code (Vinyl hose)**

Indicates number mark or change sequence, however, the code for the bulk part must be strictly 0 (zero).

**Types of code:**

- |             |  |                |             |              |               |
|-------------|--|----------------|-------------|--------------|---------------|
| • Fuel hose | 2: Red outside braid<br>(3 mm inside dia. only)        | • General hose | 1: Ash gray | • Vinyl hose | 1: Clear      |
|             | 5: Black inside braid                                  |                | 2: Ash gray |              | 2: Black      |
|             | 3: Red (3 mm inside dia. only)                         |                | 3: Black    |              | 3: Light red  |
|             | 4: Ash gray with red stripe<br>(3 mm inside dia. only) |                | 5: Black    |              | 6: Light red  |
|             | 6: Black   |                |             |              | 7: Pale black |

**Lengths:**

- 001: 1 m (standard)  
003: 3 m  
008: 8 m } Application or specification of some parts is not settled.

**I.D code: (fuel hose and general purpose hose)**

- |            |                    |                    |                             |                             |
|------------|--------------------|--------------------|-----------------------------|-----------------------------|
| 30: 3.0 mm | 50: 5.0 mm         | 70: 7.0 mm         | 11: 11 mm                   | 12: 12 (outside dia. 17) mm |
| 35: 3.5 mm | 55: 5.3 mm, 5.5 mm | 75: 7.3 mm, 7.5 mm | 91: 12 (outside dia. 15) mm | 14: 14 mm                   |
| 45: 4.5 mm | 65: 6.5 mm         | 80: 8.0 mm         | 92: 12 (outside dia. 16) mm | 17: 17 mm                   |

**ID./OD. code: (vinyl hose)**

- |                         |                          |                           |                           |                           |
|-------------------------|--------------------------|---------------------------|---------------------------|---------------------------|
| 01: ID. 2.9, OD. 6.8 mm | 12: ID. 5.0, OD. 7.0 mm  | 21: ID. 8.0, OD. 9.0 mm   | 37: ID. 11.0, OD. 15.0 mm | 50: ID. 16.0, OD. 19.0 mm |
| 03: ID. 3.0, OD. 6.0 mm | 10: ID. 5.0, OD. 8.0 mm  | 23: ID. 8.0, OD. 12.0 mm  | 38: ID. 12.0, OD. 13.0 mm | 55: ID. 17.5, OD. 20.5 mm |
| 05: ID. 3.5, OD. 6.5 mm | 11: ID. 5.0, OD. 9.0 mm  | 25: ID. 9.0, OD. 11.0 mm  | 39: ID. 12.0, OD. 14.0 mm | 60: ID. 22.0, OD. 27.0 mm |
| 07: ID. 4.0, OD. 7.0 mm | 14: ID. 6.0, OD. 9.0 mm  | 27: ID. 9.0, OD. 13.0 mm  | 40: ID. 12.0, OD. 16.0 mm |                           |
| 08: ID. 4.5, OD. 6.5 mm | 17: ID. 7.0, OD. 9.0 mm  | 33: ID. 10.0, OD. 14.0 mm | 43: ID. 13.0, OD. 15.0 mm |                           |
| 09: ID. 4.5, OD. 8.0 mm | 19: ID. 7.0, OD. 11.0 mm | 36: ID. 11.0, OD. 13.0 mm | 45: ID. 14.0, OD. 18.0 mm |                           |

**Hose type:**

- 1: Fuel hose  
3: Vinyl hose  
5: General hose

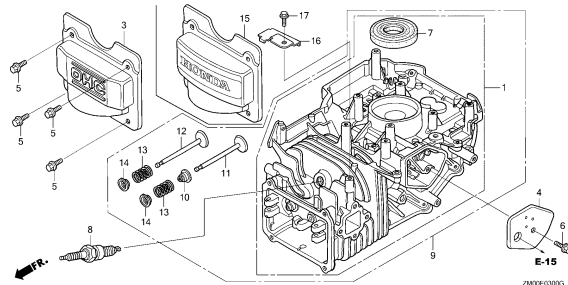
⊙ **CAUTION: It is DANGEROUS to confuse the fuel hose with the general purpose hose or vinyl hose.**

Never use a general purpose hose or vinyl hose in place of a fuel hose or vice versa. Always use the correct bulk part in the parts catalogue, according to the service manual or the instructions issued with the bulk part.

# ENGINE GROUP

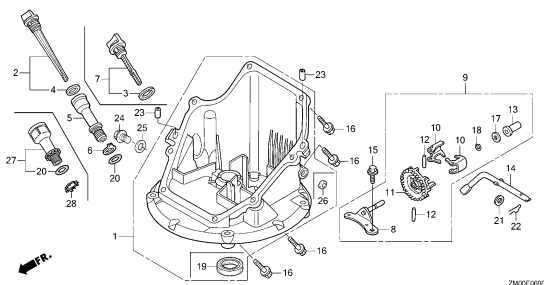
E-3

## CYLINDER BARREL



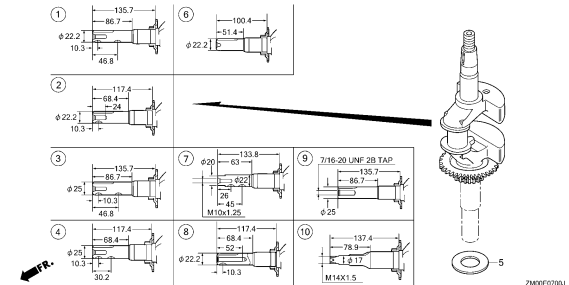
E-6

## OIL PAN



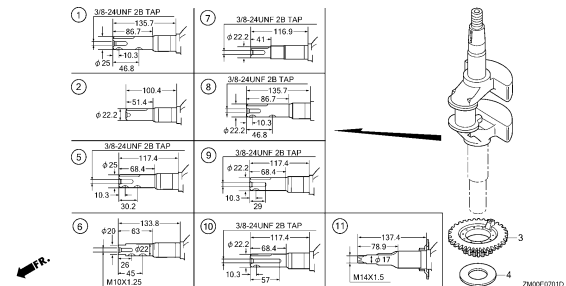
E-7

## CRANKSHAFT(1)



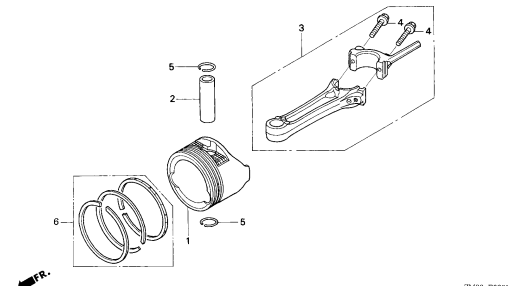
E-7-1

## CRANKSHAFT(2)



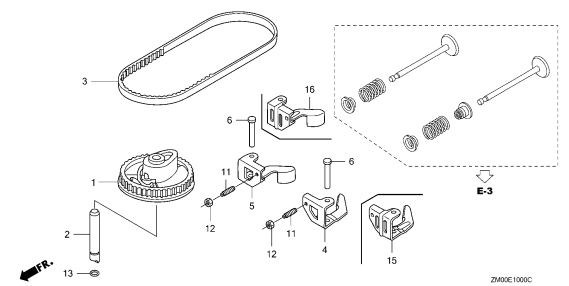
E-8

## PISTON/CONNECTING ROD



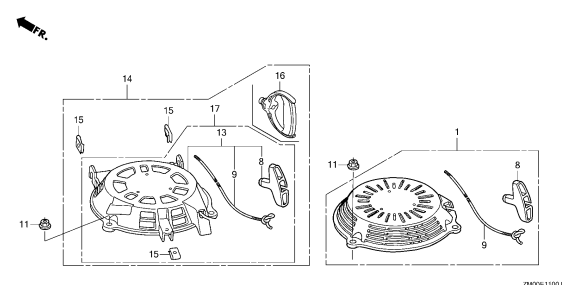
E-10

## CAMSHAFT PULLEY



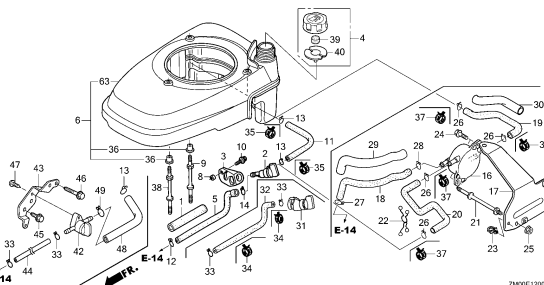
E-11

## RECOIL STARTER



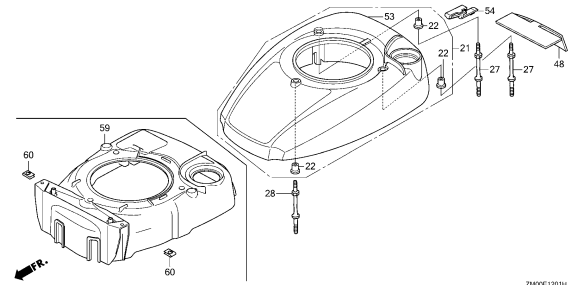
E-12

## FAN COVER(1)



E-12-1

## FAN COVER(2)

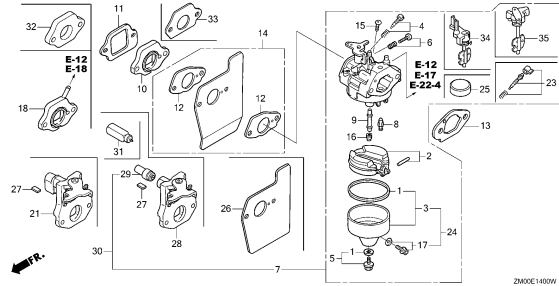




# ENGINE GROUP

E-14

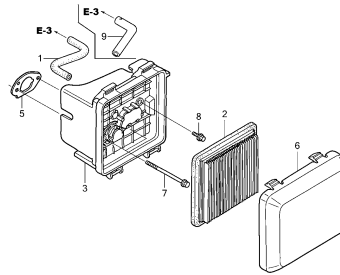
CARBURETOR



ZM00E1400V

E-15

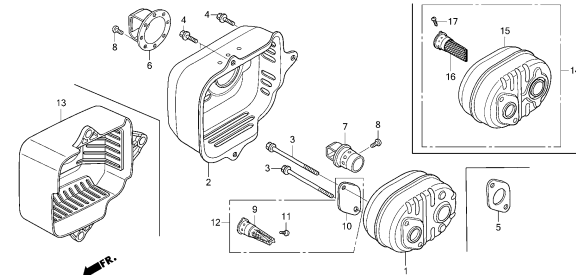
AIR CLEANER



ZM00E1500Z

E-16

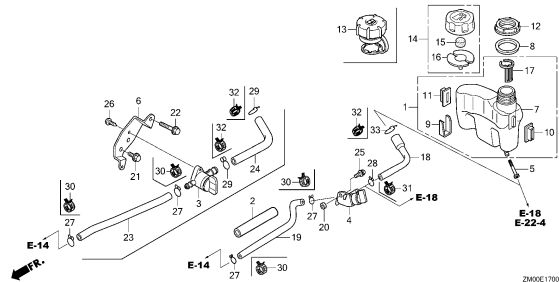
MUFFLER



ZM00E1600H

E-17

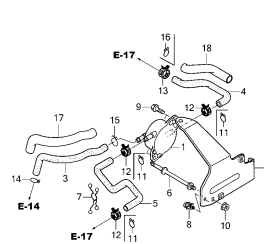
FUEL TANK



ZM00E1700

E-18

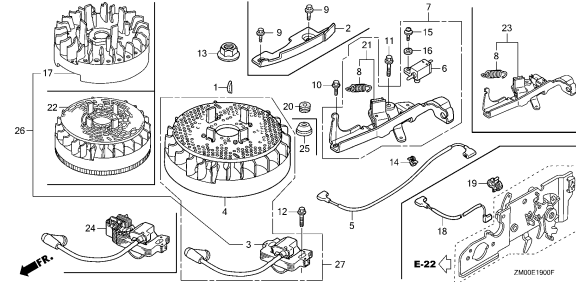
FUEL PUMP



ZM00E1800

E-19

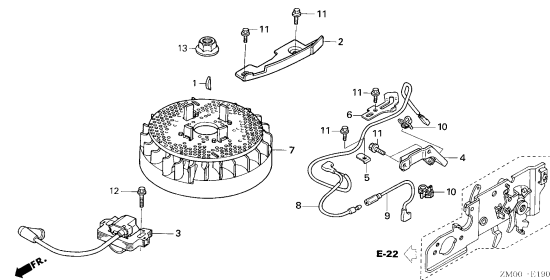
FLYWHEEL(1)



ZM00E1900F

E-19-1

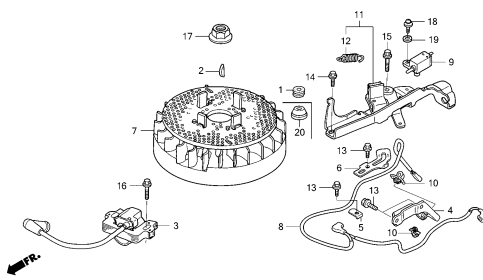
FLYWHEEL(2)



ZM00E19100I

E-19-2

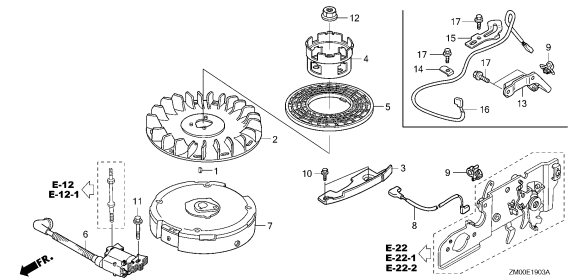
FLYWHEEL(3)



ZM00E1920A

E-19-3

FLYWHEEL(4)

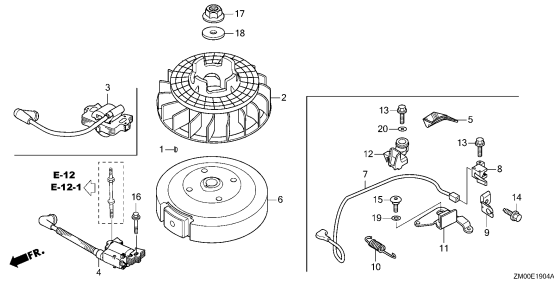


ZM00E1930A

# ENGINE GROUP

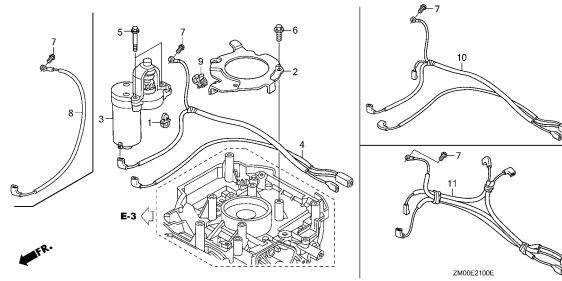
**E-19-4**

**FLYWHEEL(5)**



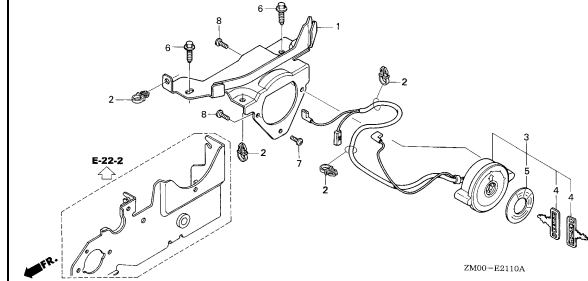
**E-21**

**STARTER MOTOR**



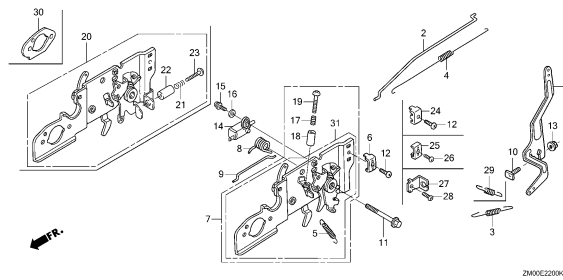
**E-21-10**

**COMBINATION SWITCH**



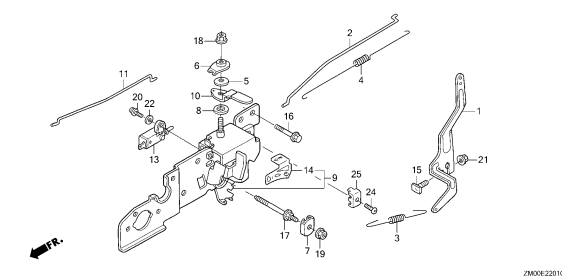
**E-22**

**CONTROL(1)**



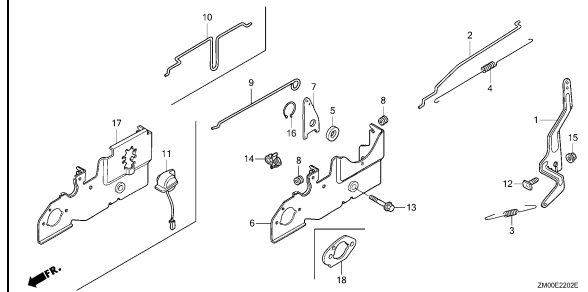
**E-22-1**

**CONTROL(2)**



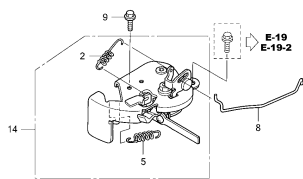
**E-22-2**

**CONTROL(3)**



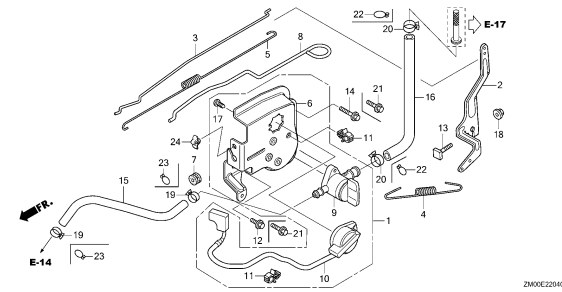
**E-22-3**

**CHOKE BASE**



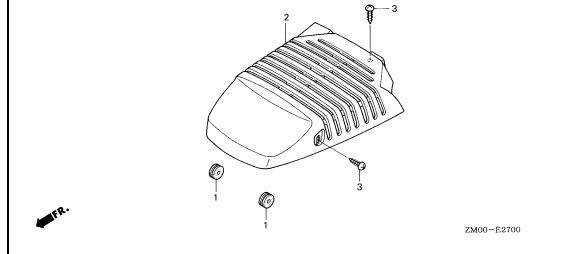
**E-22-4**

**CONTROL(4)**



**E-27**

**TOP COVER**

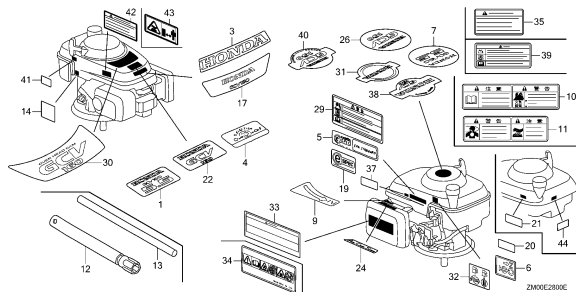


**2**

# ENGINE GROUP

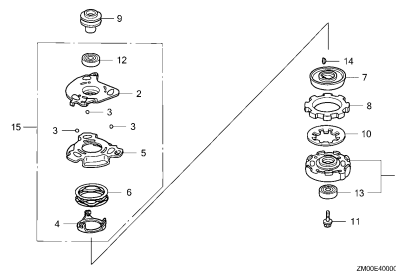
E-28

LABEL/TOOL



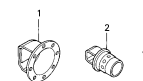
E-40

BLADE HOLDER



E-40-1

MUFFLER CAP

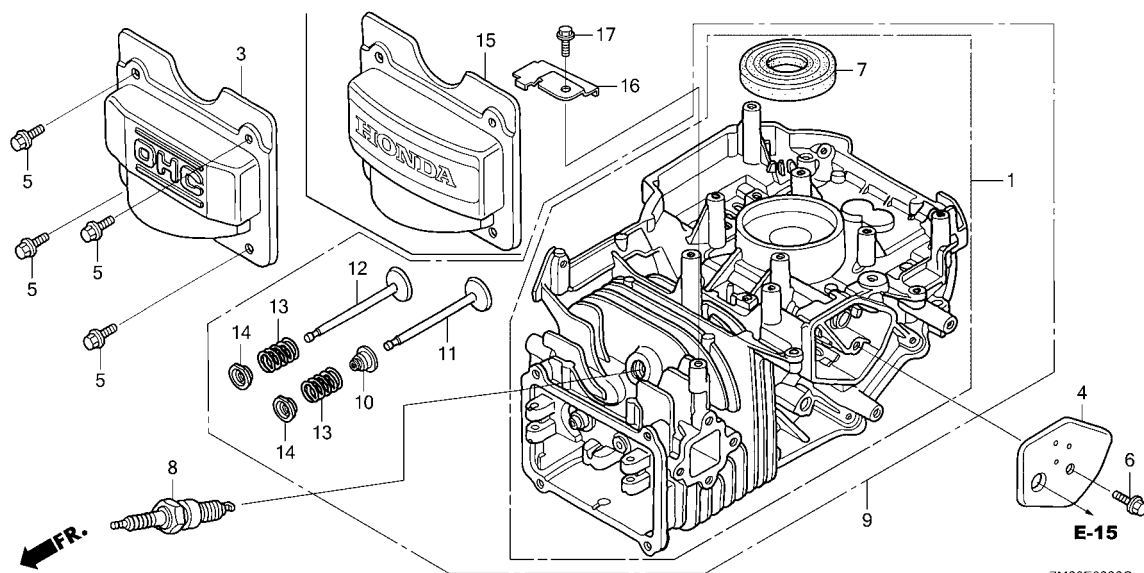


ZM00-E4001

2

# E-3

# CYLINDER BARREL



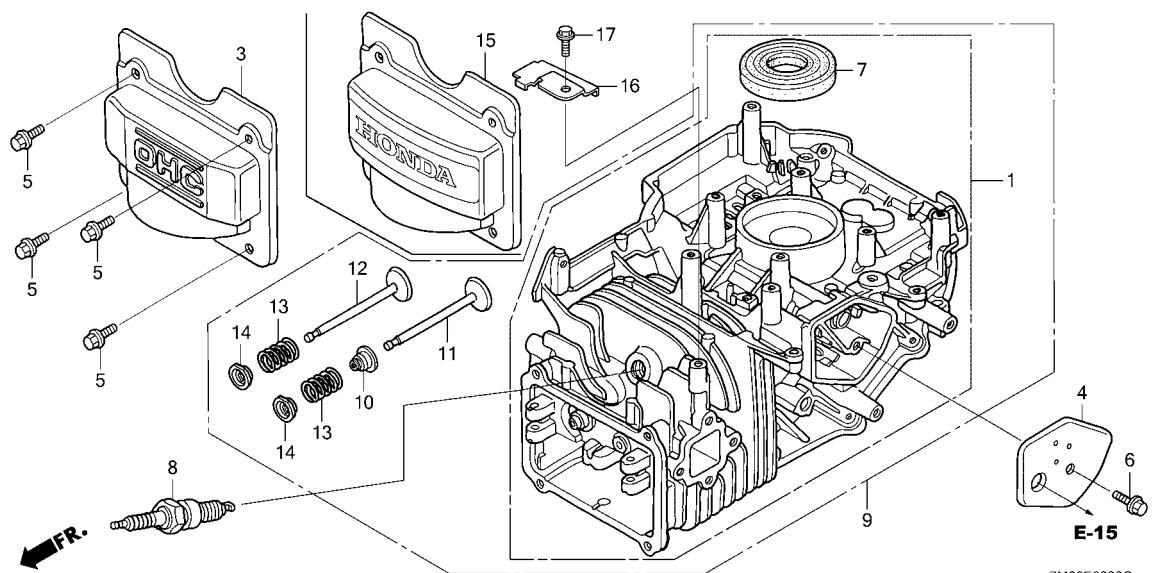
Ref. No. L.O.N. (Relative ref. Number) Description F.R.T.

Ref. No.	Part No.	Description	Reqd. QTY							Serial No.	Parts catalogue code	
			GCV 160	GCV 160 A	GCV 160 A0	GCV 160 E	GCV 160 LE	GCV 160 LA	GCV 160 LA0			GCV 160 LA1
1	12000-ZL8-405	BARREL ASSY., CYLINDER .....	1	-	-	-	-	-	-	-	-	A1W2, A2E4, A2R, N1W, N1W1, N1W2, N3V
	12000-ZL8-000	.....	1	-	-	-	-	-	-	-	-	1286131 A1A, A1C, A1E, A1J, A1P, A1U, A2A, A2C, A2E, A2U, A3E, A4E, N1, N1D, N1E1, N1E2, N1U, N2, N2D, N2E, N2E1, N2E2, N2E3, N2U
	12000-ZL8-405	.....	1	-	-	-	-	-	-	-	-	1286132 A1A, A1C, A1E, A1J, A1P, A1U, A2A, A2C, A2E, A2U, A3E, A4E, N1, N1D, N1E1, N1E2, N1U, N2, N2D, N2E, N2E1, N2E2, N2E3, N2U
	12000-Z0L-405	.....	-	1	1	-	-	1	-	-	-	C1E, C1E1, C2E, C2E1, C3E, C3E1, C4E, C4E1, E1A2, E1A4, E1G7, E2G7, E5A4, EHKB, R1A, R3A, R3A1, RTL1
	12000-Z0L-406	.....	-	1	-	-	-	1	-	-	-	A1AW, S1M, S2G7, S3A2, S3H
	12000-ZL8-405	.....	-	1	-	-	-	-	-	-	-	A1A, A2A, A2R, N1A, N5A
	12000-Z0L-406	.....	-	1	-	-	-	-	-	-	5678374	A1E7, A2E7, N1L, N1R, N1U, N2U, N3U, N3V, N5R, S3H2
	12000-Z8B-416	.....	-	-	1	-	-	-	1	1	-	N2EE, N2KE, N3T8, NBHT, SBA, SBA/A, SBH, SBH/A, SBHE, SBL
	12000-Z8B-415	.....	-	-	1	-	-	-	1	-	-	A1G7, A1UV, A2UA, A3G7, A3HV, A3T9, A4G7, A7H1, A7Q1, A7Q1/A, G5AF, G5MF, N1U/A, S3L, S3LE, S4G7, S4LE
	12000-Z0L-407	.....	-	-	1	-	-	-	1	-	-	BHH, BHH1
	12000-Z0L-406	.....	-	-	1	-	-	-	-	-	-	A1E7, A1M, A2E7, N1L, N1R, N3U, N3V
		.....	-	-	1	-	-	-	-	-	1059693	S2G7
		.....	-	-	1	-	-	-	-	-	1546574	S3TE, SBTE
		.....	-	-	1	-	-	-	-	-	2070506	A1AW, N1U, N2U, N5RE, S3H2
		.....	-	-	1	-	-	-	-	-	2070506	A4G4
		.....	-	-	1	-	-	-	-	-	3337976	R3LE
		.....	-	-	1	-	-	-	-	-	3344195	S3AL, S3DB, S3HB, S4BB, S4GB, S4HB
		.....	-	-	1	-	-	-	-	-	1059694	S2G7
		.....	-	-	1	-	-	-	-	-	1546575	S3TE, SBTE
		.....	-	-	1	-	-	-	-	-	2070507	A1AW, A4G4, N1U, N2U, N5RE
		.....	-	-	1	-	-	-	-	-	2070507	S3H2
		.....	-	-	1	-	-	-	-	-	3337977	R3LE



# E-3

# CYLINDER BARREL



Ref. No.	Part No.	Description	Reqd. QTY							Serial No.	Parts catalogue code
			GCV 160	GCV 160 A	GCV 160 A0	GCV 160 E	GCV 160 LE	GCV 160 LA	GCV 160 LA0		
(1)	12000-Z8B-417	BARREL ASSY., CYLINDER .....	-	-	1	-	-	-	-	3344196	----- S3AL, S3DB, S3HB, S4BB, S4GB, S4HB
	12000-Z1L-406	.....	-	-	-	1	-	-	-	-----	A3HV, A4EV, S4H4
	12000-Z0L-406	.....	-	-	-	1	-	-	-	2467992	S2E2, S2E3, S3E9, S3G9, S4E4, S4E9, S4G4, S4G9
	12000-Z1L-405	.....	-	-	-	1	-	-	-	3360946	A7Q1, N2EE, S1G4
	12000-Z1L-406	.....	-	-	-	1	-	-	-	2467993	S2E2, S2E3, S3E9, S3G9, S4E4, S4E9, S4G4, S4G9
	12000-Z1L-406	.....	-	-	-	1	-	-	-	3360947	A1G9, A1P, A2G4, A2G7, A2G9, A3E7, A3E9, A3G9, A3T9 A3W7, A3W8, A4G4, A4G7, A4G9, A7E1, A7Q1, N1J1, N1T9 N1W7, N2E7, N2E8, N2EE, N3T8, N3W8, N3W9, S1E1, S1G4 S2E1, S2E2, S2E3, S3E9, S3G9, S4E4, S4E9, S4G4, S4G9
	12000-Z1L-405	.....	-	-	-	-	1	-	-	3039946	3406723
	12000-Z1L-406	.....	-	-	-	-	1	-	-	3406724	-----
	12000-Z0L-406	.....	-	-	-	-	-	1	-	5675058	----- A1A, A1AF, A2R, N1A, N1AF, N5AF, N5MF, N5R, N7A1, N7S1 S1A, S3A
	12000-Z8B-406	.....	-	-	-	-	-	-	1	-----	A1AF, N7A1, S1A
	12000-Z0L-405	.....	-	-	-	-	-	-	1	-----	BHH
	12000-Z0L-406	.....	-	-	-	-	-	-	1	-----	E1A2
	12000-Z0L-405	.....	-	-	-	-	-	-	1	-----	1231612 S1M, S3H
	12000-Z0L-408	.....	-	-	-	-	-	-	1	-----	3180268 S3T, SBT
	12000-Z8B-407	.....	-	-	-	-	-	-	1	-----	4233973 A1A, A2R, N1A, N1AF, N5AF, N5MF, N5R, N5RB, N7S1, S3A
	12000-Z0L-409	.....	-	-	-	-	-	-	1	-----	7796305 R3A
	12000-Z8B-415	.....	-	-	-	-	-	-	1	-----	7796305 R3L
	12000-Z0L-415	.....	-	-	-	-	-	-	1	-----	7988420 G5B, G5BR, N5B, N5BR, S3B, S3DB, S3LB
	12000-Z8B-405	.....	-	-	-	-	-	-	1	1231613	S1M
	12000-Z8B-405	.....	-	-	-	-	-	-	1	1231613	3180268 S3H
	12000-Z8B-415	.....	-	-	-	-	-	-	1	3180269	S3H, SBT
	12000-Z8B-415	.....	-	-	-	-	-	-	1	3180269	S3T
	12000-Z8B-405	.....	-	-	-	-	-	-	1	4233974	A1A, A2R, N1A, N1AF, N5AF, N5MF, N5RB
	12000-Z0L-415	.....	-	-	-	-	-	-	1	4233974	N5R, N7S1, S3A
	12000-Z0L-415	.....	-	-	-	-	-	-	1	7796306	----- R3A

E-3

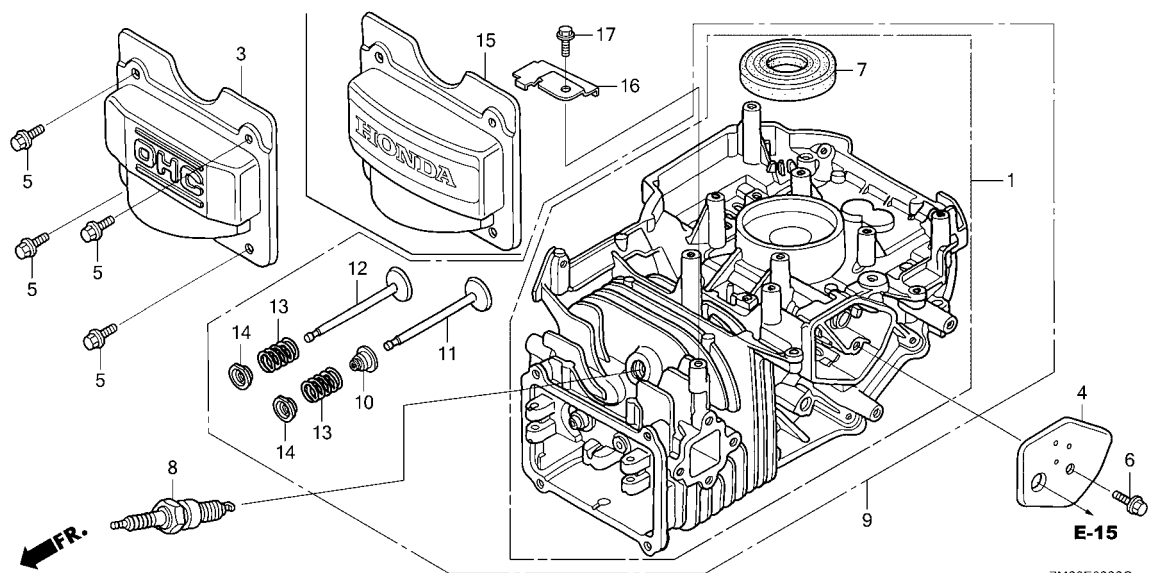
CYLINDER BARREL

Ref. No.	Part No.	Description	Reqd. QTY								Serial No.	Parts catalogue code
			GCV 160	GCV 160 A	GCV 160 A0	GCV 160 E	GCV 160 LE	GCV 160 LA	GCV 160 LA0	GCV 160 LA1		
(1)	12000-Z0L-418	BARREL ASSY., CYLINDER .....	-	-	-	-	-	-	1	-	7796306	----- R3L
	12000-Z8B-417	.....	-	-	-	-	-	-	1	-	7988421	----- G5B, G5BR, N5B, N5BR, S3B, S3DB, S3LB
	12000-Z8B-415	.....	-	-	-	-	-	-	1	-	-----	A1A, A1A/A, A2R, A2R/A, A7H1, A7H1/A, A7X1, G5AF G5AF/A, G5MF, G5MF/A, N1A, N1A/A, N5AF, N5AF/A, SBT SBT/A
	12000-Z8B-417	.....	-	-	-	-	-	-	1	-	-----	G5B, G5B/A, G5BR, G5BR/A, N5B, N5B/A, N5BR, N5BR/A S3B, S3B/A, S3LB, S3LB/A
3	12311-ZL8-000	COVER, HEAD .....	1	1	-	1	1	1	-	-	-----	A1A, A1AE, A1AF, A1AS, A1AW, A1C, A1E, A1E7, A1E8 A1G7, A1G9, A1J, A1M, A1P, A1U, A1W2, A1W7, A2A, A2A9 A2C, A2E, A2E4, A2E7, A2E8, A2E9, A2G4, A2G7, A2G9 A2R, A2U, A3A, A3E, A3E7, A3E9, A3G9, A3HV, A3T9, A3W7 A3W8, A4A9, A4E, A4EV, A4G4, A4G7, A4G9, A7E1, A7H1 A7Q1, BHH, BHH1, C1E, C1E1, C2E, C2E1, C3E, C3E1, C4E C4E1, E1A2, E1A4, E1G7, E2G7, E5A4, EHBB, N1, N1A N1AF, N1C, N1D, N1E1, N1E2, N1E7, N1J1, N1L, N1R, N1T8 N1T9, N1U, N1W, N1W1, N1W2, N1W7, N1W8, N1W9, N2, N2D N2E, N2E1, N2E2, N2E3, N2E7, N2E8, N2E9, N2U, N3T8 N3T9, N3U, N3V, N3W8, N3W9, N5A, N5AF, N5C, N5MF, N5R N7A1, N7S1, NBL1, R1A, R3A, R3A1, RTL1, S1A, S1A1 S1E1, S1G4, S1M, S2E, S2E1, S2E2, S2E3, S2G7, S3A S3A2, S3E9, S3G9, S3H, S3H2, S4E4, S4E9, S4G4, S4G9 S4H4, STA1, STL1
			-	-	1	-	-	-	-	-	-----	1677021 A1AW, A1E7, A1M, A2E7, BHH1, C1E, C1E1, C2E, C2E1, C3E C3E1, C4E, C4E1, E2G7, N1L, N1R, N1U, N2U, N3U, N3V N5RE, S2G7, S3H2, S3TE
	12310-Z0J-000	COVER COMP., CYLINDER HEAD ...	-	-	-	1	-	-	-	-	-----	4337374 N2EE
	12311-ZL8-000	COVER, HEAD .....	-	-	-	1	-	-	1	-	-----	3228868 N2EE
4	12355-ZL8-000	COVER COMP., BREATHER .....	1	1	1	1	1	1	1	1	-----	A1A, A1AF, A2R, BHH, E1A2, N1A, N1AF, N5AF, N5MF, N5R N5RB, N7A1, N7S1, R3A, S1A, S1M, S3A, S3H, S3T, SBT
5	90013-883-000	BOLT, FLANGE, 6X12(CT200) .....	4	4	4	-	-	4	4	4	-----	A1E7, A1E8, A1G7, A1W7, A2A9, A2E7, A2E8, A2E9, A2R N1D, N1E1, N1E2, N1E7, N1R, N1T8, N1W8, N1W9, N2E9 N3T9, N7A1, S2E
	90013-Z1L-000	BOLT, FLANGE, 6X13 .....	-	-	-	4	-	-	-	-	-----	A3HV, A4EV, S4H4
	90013-883-000	BOLT, FLANGE, 6X12(CT200) .....	-	-	-	4	-	-	-	-	-----	3346680 A1G9, A1P, A2G4, A2G7, A2G9, A3E7, A3E9, A3G9, A3T9 A3W7, A3W8, A4G4, A4G7, A4G9, A7E1, A7Q1, N1J1, N1T9 N1W7, N2E7, N2E8, N2EE, N3T8, N3W8, N3W9, S1E1, S1G4 S2E1, S2E2, S2E3, S3E9, S3G9, S4E4, S4E9, S4G4, S4G9
	90013-Z1L-000	BOLT, FLANGE, 6X13 .....	-	-	-	4	-	-	-	-	-----	3346681 A1G9, A1P, A2G4, A2G7, A2G9, A3E7, A3E9, A3G9, A3T9 A3W7, A3W8, A4G4, A4G7, A4G9, A7E1, A7Q1, N1J1, N1T9 N1W7, N2E7, N2E8, N2EE, N3T8, N3W8, N3W9, S1E1, S1G4 S2E1, S2E2, S2E3, S3E9, S3G9, S4E4, S4E9, S4G4, S4G9
	90013-883-000	BOLT, FLANGE, 6X12(CT200) .....	-	-	-	-	4	-	-	-	-----	3406723
	90013-Z1L-000	BOLT, FLANGE, 6X13 .....	-	-	-	-	4	-	-	-	-----	3406724
6	90014-952-000	BOLT, FLANGE, 6X14(CT200) .....	1	1	1	1	1	1	1	1	-----	



# E-3

# CYLINDER BARREL



Ref. No.	Part No.	Description	Reqd. QTY							Serial No.	Parts catalogue code
			GCV 160	GCV 160 A	GCV 160 A0	GCV 160 E	GCV 160 LE	GCV 160 LA	GCV 160 LA0		
7	91201-ZL8-003	OIL SEAL, 25.4X62X6.....	1	1	-	-	1	1	-	1	A1A, A1A/A, A1AE, A1AF, A1AS, A1AW, A1C, A1E, A1E7, A1E8, A1G7, A1J, A1M, A1P, A1U, A1W2, A1W7, A2A, A2A9, A2C, A2E, A2E4, A2E7, A2E8, A2E9, A2G7, A2R, A2R/A, A2U, A3A, A3E, A4A9, A4E, A7E1, A7H1, A7H1/A, A7X1, BHH, BHH1, C1E, C1E1, C2E, C2E1, C3E, C3E1, C4E, C4E1, E1A2, E1A4, E1G7, E2G7, E5A4, EHBB, G5AF, G5AF/A, G5B, G5B/A, G5BR, G5BR/A, G5MF, G5MF/A, N1, N1A, N1A/A, N1AF, N1C, N1D, N1E1, N1E2, N1E7, N1J1, N1L, N1R, N1U, N1W, N1W1, N1W2, N1W7, N1W8, N1W9, N2, N2D, N2E, N2E1, N2E2, N2E3, N2E7, N2E8, N2E9, N2U, N3U, N3V, N5A, N5AF, N5AF/A, N5B, N5B/A, N5BR, N5BR/A, N5C, N5MF, N5R, N7A1, N7S1, NBL1, R1A, R3A, R3A1, RTL1, S1A, S1A1, S1M, S2G7, S3A, S3A2, S3B, S3B/A, S3H, S3H2, S3LB, S3LB/A, SBT, SBT/A, STA1, STL1
	91201-Z0Y-003	OIL SEAL, 25.4X62X6(ARAI)....	-	-	1	-	-	-	1	1	BHH, BHH1, N2EE, N2KE, N3T8, NBHT, SBA, SBA/A, SBH, SBH/A, SBHE, SBL
	91201-ZL8-003	OIL SEAL, 25.4X62X6.....	-	-	1	-	-	-	-	-	A1AW, A1E7, A1G7, A1M, A1UV, A2E7, A2UA, A3G7, A3HV, A3T9, A4G4, A4G7, A7Q1, A7Q1/A, C1E, C1E1, C2E, C2E1, C3E, C3E1, C4E, C4E1, E2G7, N1L, N1R, N1U, N1U/A, N2U, N3U, N3V, N5RE, R3LE, S2G7, S3AL, S3DB, S3H2, S3HB, S3LE, S3TE, S4BB, S4G7, S4GB, S4HB, S4LE, SBTE
			-	-	-	1	-	-	-	-	A1A, A1AF, A2R, A7H1, E1A2, G5AF, G5B, G5BR, G5MF, N1A, N1AF, N5AF, N5B, N5BR, N5MF, N5R, N5RB, N7A1, N7S1, R3A, R3L, S1A, S1M, S3A, S3B, S3DB, S3H, S3L, S3LB, S3T, SBT



**E-3**

**CYLINDER BARREL**

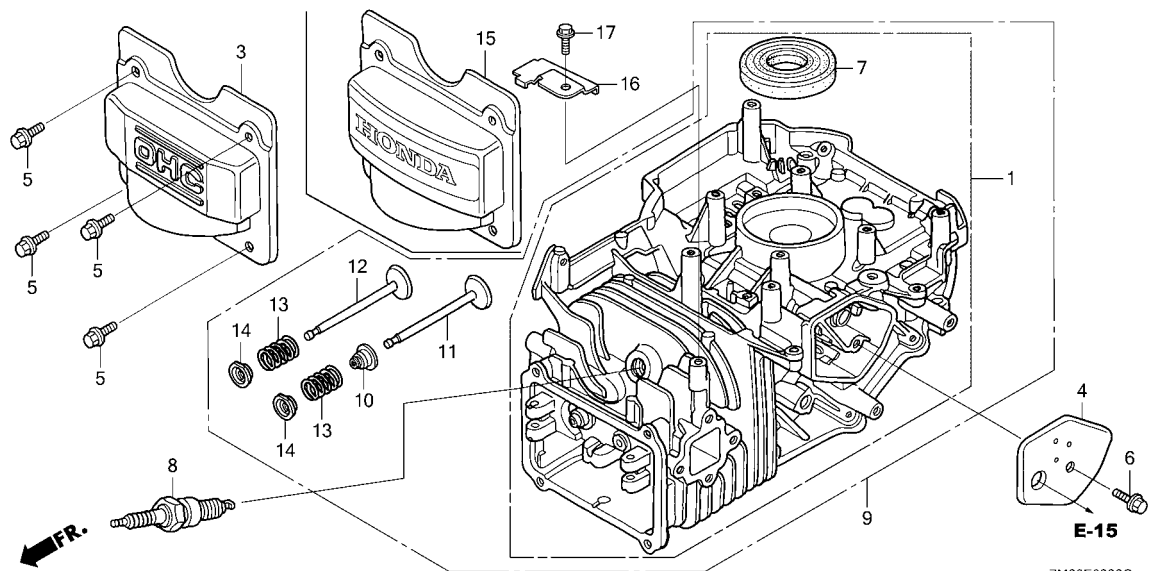
Ref. No.	Part No.	Description	Reqd. QTY								Serial No.	Parts catalogue code			
			GCV 160	GCV 160 A	GCV 160 A0	GCV 160 E	GCV 160 LE	GCV 160 LA	GCV 160 LA0	GCV 160 LA1					
8	98079-56846	PLUG, SPARK(BPR6ES)(NGK).....	1	-	-	-	1	-	-	-	-	-	-	-	A1A, A1C, A1E, A1E7, A1E8, A1G7, A1J, A1P, A1U, A1W2, A1W7, A2A, A2C, A2E, A2E4, A2E7, A2E8, A2E9, A2G7, A2R, A2U, A3E, A4E, A7E1, A7H1, N1, N1D, N1E1, N1E2, N1E7, N1J1, N1R, N1U, N1W, N1W1, N1W2, N1W7, N1W8, N1W9, N2, N2D, N2E, N2E1, N2E2, N2E3, N2E7, N2E8, N2E9, N2U, N3U, N3V, N7A1
	98079-55846	PLUG, SPARK(BPR5ES)(NGK).....	-	1	-	-	-	-	-	-	-	-	-	-	A1AW, C3E, C3E1, C4E, C4E1
	98079-56846	PLUG, SPARK(BPR6ES)(NGK).....	-	1	-	-	-	-	-	-	-	-	-	-	A1C, A1E, A1E8, A1W7, A2A, A2C, A2E8, A2E9, A2G7, A3A, A3E, A7E1, BHH1, E1A2, E1A4, E1G7, E2G7, E5A4, EHHB, N1A, N1AF, N1C, N1E1, N1E7, N1L, N1W7, N1W8, N1W9, N2E7, N2E8, N2E9, N3V, N5A, N5AF, N5C, N5MF, N5R, N7A1, N7S1, R1A, R3A, R3A1, S1A1, STA1
			-	1	-	-	-	-	-	-	6102260	-	-	-	A1A, A1AE, A1AF, A1AS, A1E7, A1M, A2E7, A2R, BHH, C1E, C1E1, C2E, C2E1, N1R, N1U, N2U, N3U, NBL1, RTL1, S1A, S1M, S2G7, S3A, S3A2, S3H, S3H2, STL1
	98079-55846	PLUG, SPARK(BPR5ES)(NGK).....	-	1	-	-	-	-	-	-	6102261	-	-	-	A1A, A1AE, A1AF, A1AS, A1E7, A1M, A2E7, A2R, BHH, C1E, C1E1, C2E, C2E1, N1R, N1U, N2U, N3U, NBL1, RTL1, S1A, S1M, S2G7, S3A, S3A2, S3H, S3H2, STL1
	98079-56846	PLUG, SPARK(BPR6ES)(NGK).....	-	-	1	-	-	1	-	-	-	-	-	-	C1E, C1E1, C2E, C2E1, C3E, C3E1, C4E, C4E1, N1A, N1AF, N1L, N5AF, N5MF, N5R, N5RE, N7A1, N7S1
	98079-55846	PLUG, SPARK(BPR5ES)(NGK).....	-	-	1	-	-	-	-	-	-	-	-	-	A1AW, A1E7, A1G7, A1M, A1UV, A2E7, A2UA, A3G7, A3HV, A3T9, A4G4, A4G7, A7Q1, A7Q1/A, BHH1, C1E, C1E1, C2E, C2E1, C3E, C3E1, C4E, C4E1, E2G7, N1R, N1U, N1U/A, N2EE, N2KE, N2U, N3T8, N3U, N3V, NBHT, R3LE, S2G7, S3AL, S3DB, S3H2, S3HB, S3LE, S3TE, S4BB, S4G7, S4GB, S4HB, S4LE, SBHE, SBTE
	98079-56846	PLUG, SPARK(BPR6ES)(NGK).....	-	-	-	1	1	-	-	-	2218977	-	-	-	A1E7, A1E8, A1G7, A1G9, A1P, A1W7, A2A9, A2E7, A2E8, A2E9, A2G4, A2G7, A2G9, A2R, A3E7, A3E9, A3G9, A3T9, A3W7, A3W8, A4A9, A4G4, A4G7, A4G9, N1D, N1E1, N1E2, N1E7, N1J1, N1R, N1T8, N1T9, N1W7, N1W8, N1W9, N2E7, N2E8, N2E9, N3T8, N3T9, N3W8, N3W9, S1E1, S2E, S2E1, S2E2, S2E3, S3E9, S3G9, S4E4, S4E9, S4G4, S4G9
	98079-55846	PLUG, SPARK(BPR5ES)(NGK).....	-	-	-	1	1	-	-	-	2218978	-	-	-	A1E7, A1E8, A1G7, A1G9, A1P, A1W7, A2A9, A2E7, A2E8, A2E9, A2G4, A2G7, A2G9, A2R, A3E7, A3E9, A3G9, A3T9, A3W7, A3W8, A4A9, A4G4, A4G7, A4G9, N1D, N1E1, N1E2, N1E7, N1J1, N1R, N1T8, N1T9, N1W7, N1W8, N1W9, N2E7, N2E8, N2E9, N3T8, N3T9, N3W8, N3W9, S1E1, S2E, S2E1, S2E2, S2E3, S3E9, S3G9, S4E4, S4E9, S4G4, S4G9
	98079-56846	PLUG, SPARK(BPR6ES)(NGK).....	-	-	-	1	-	-	-	-	-	-	-	-	A3HV, A4EV, N2EE, S1G4, S4H4
			-	-	-	-	-	-	-	-	-	-	-	-	A7E1, A7Q1, N7A1
			-	-	-	-	-	-	-	-	6105755	-	-	-	A1A, A1AF, A2R, BHH, S1A, S1M, S3A, S3H
			-	-	-	-	-	-	-	-	8028081	-	-	-	E1A2, R3A
	98079-55846	PLUG, SPARK(BPR5ES)(NGK).....	-	-	-	-	-	-	-	-	6105756	-	-	-	A1A, A1AF, A2R, BHH, S1A, S1M, S3A, S3H
			-	-	-	-	-	-	-	-	8028082	-	-	-	E1A2, R3A
			-	-	-	-	-	-	-	1	1	-	-	-	A1A, A1A/A, A1AF, A2R, A2R/A, A7H1, A7H1/A, A7X1, BHH, E1A2, R3A, R3L, S1A, S1M, S3A, S3B, S3B/A, S3DB, S3H, S3L, S3LB, S3LB/A, S3T, SBA, SBA/A, SBH, SBH/A, SBL, SBT, SBT/A
	98079-56846	PLUG, SPARK(BPR6ES)(NGK).....	-	-	-	-	-	-	-	1	-	-	-	-	G5AF, G5B, G5BR, G5MF, N1A, N1AF, N5AF, N5B, N5BR, N5MF, N5R, N5RB
			-	-	-	-	-	-	-	1	-	-	-	-	N7A1, N7S1
	98079-55846	PLUG, SPARK(BPR5ES)(NGK).....	-	-	-	-	-	-	-	1	-	-	-	-	N7A1, N7S1
	98079-56846	PLUG, SPARK(BPR6ES)(NGK).....	-	-	-	-	-	-	-	1	-	-	-	-	G5AF, G5AF/A, G5B, G5B/A, G5BR, G5BR/A, G5MF, G5MF/A, N1A, N1A/A, N5AF, N5AF/A, N5B, N5B/A, N5BR, N5BR/A, A1E7, A1E8, A1G7, A1W7, A2E7, A2E8, A2E9, A2G7, A7E1, N1E7, N1J1, N1R, N1W7, N1W8, N1W9, N2E7, N2E8, N2E9, N3U, N7A1
9	12000-ZL8-415	BARREL ASSY., CYLINDER.....	1	-	-	-	-	-	-	-	-	-	-	-	





# E-3

# CYLINDER BARREL



Ref. No.	Part No.	Description	Reqd. QTY								Serial No.	Parts catalogue code			
			GCV 160	GCV 160 A	GCV 160 A0	GCV 160 E	GCV 160 LE	GCV 160 LA	GCV 160 LA0	GCV 160 LA1					
(9)	12000-ZL8-425	BARREL ASSY., CYLINDER.....	-	1	-	-	-	-	-	-	-	-	-	-	A1AE, A1AF, A1AS, A1C, A1E, A1E8, A1M, A1W7, A2C, A2E8, A2E9, A2G7, A3A, A3E, A7E1, BHH, BHH1, N1AF, N1C, N1E1, N1E7, N1W7, N1W8, N1W9, N2E7, N2E8, N2E9, N5AF, N5C, N5MF, N7A1, N7S1, NBL1, S1A, S1A1, S3A, STA1, STL1
			-	1	-	-	-	-	-	-	-	5678373	-	-	A1E7, A2E7, N1L, N1R, N1U, N2U, N3U, N3V, N5R, S3H2
			-	-	-	1	-	-	-	-	-	-	-	-	A1E7, A1E8, A1G7, A1W7, A2A9, A2E7, A2E8, A2E9, A2R, N1D, N1E1, N1E2, N1E7, N1R, N1T8, N1W8, N1W9, N2E9, N3T9, N7A1, S2E
			-	-	-	1	-	-	-	-	-	3360946	-	-	A1G9, A1P, A2G4, A2G7, A2G9, A3E7, A3E9, A3G9, A3T9, A3W7, A3W8, A4G4, A4G7, A4G9, A7E1, N1J1, N1T9, N1W7, N2E7, N2E8, N3T8, N3W8, N3W9, S1E1, S2E1
			-	-	-	-	1	-	-	-	-	3039945	-	-	BHH
			-	-	-	-	-	1	-	-	-	5675057	-	-	A1A, A1AF, A2R, N1A, N1AF, N5AF, N5MF, N5R, N7A1, N7S1, S1A, S3A
10	12209-ZM0-003	SEAL, VALVE STEM.....	1	-	-	-	1	-	-	-	-	-	-	-	A1E7, A1E8, A1G7, A1W7, A2A9, A2E4, A2E7, A2E8, A2E9, A2G7, A4A9, A7E1, A7H1, N1E7, N1J1, N1R, N1W7, N1W8, N1W9, N2E7, N2E8, N2E9, N3U, N7A1
			1	-	-	-	-	-	-	-	-	2296433	-	-	A1A, A1C, A1E, A1P, A1W2, A2A, A2C, A2E, A2R, A3E, N1, N1D, N1E1, N1E2, N1U, N1W, N1W1, N1W2, N2, N2E, N2E1, N2E3, N2U, N3V
	12209-Z8B-003	.....	-	1	-	-	-	1	-	-	-	-	-	-	A1G7, A1UV, A2UA, A3G7, A3HV, A3T9, A4G4, A4G7, A7H1, A7Q1, A7Q1/A, G5AF, G5B, G5BR, G5MF, N1U/A, N2EE, N2KE, N3T8, N5B, N5BR, NBHT, R3L, R3LE, S3AL, S3B, S3DB, S3HB, S3L, S3LB, S3LE, S4BB, S4G7, S4GB, S4HB, S4LE, SBA, SBH, SBHE, SBL

**E-3**

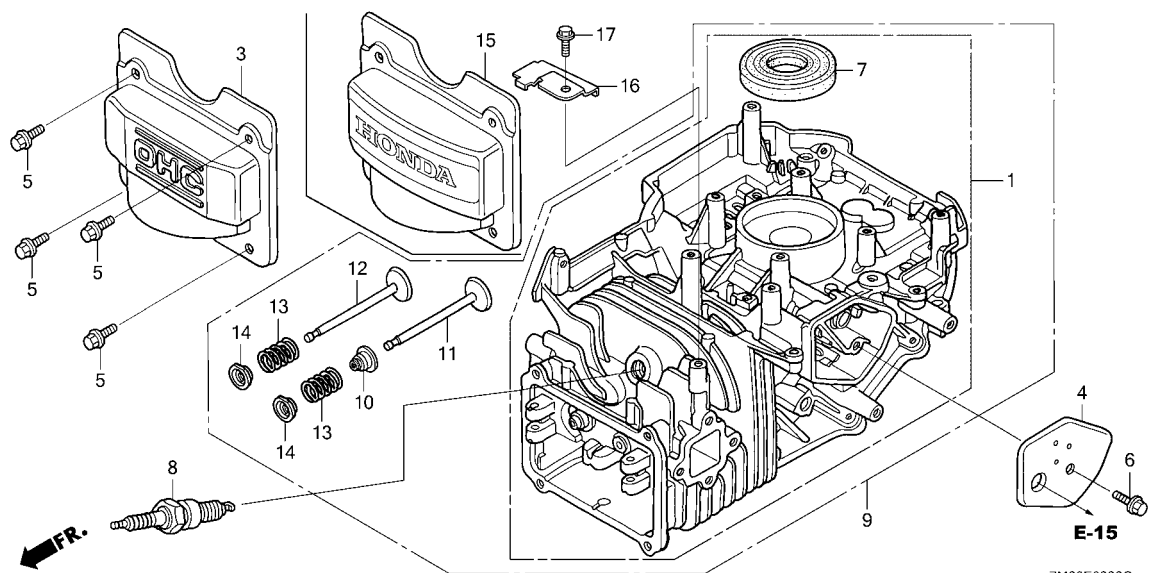
**CYLINDER BARREL**

Ref. No.	Part No.	Description	Reqd. QTY								Serial No.	Parts catalogue code				
			GCV 160	GCV 160 A	GCV 160 A0	GCV 160 E	GCV 160 LE	GCV 160 LA	GCV 160 LA0	GCV 160 LA1						
10)	12209-ZM0-003	SEAL, VALVE STEM.....	-	-	1	-	-	-	-	-	-	-	-	-	-----	A1M, A2E7, C1E, C1E1, C2E, C2E1, C3E, C3E1, C4E, C4E1, E2G7, N1R, N3V, S2G7, SBTE
	12209-Z8B-003	.....	-	-	1	-	-	-	-	-	-	-	-	-	-----	1651094 A1AW, A1E7, BHH1, N1L, N1U, N2U, N3U, N5RE, S3H2, S3TE
	12209-ZM0-003	.....	-	-	-	1	-	-	-	-	-	-	-	-	-----	1651095 A1AW, A1E7, BHH1, N1L, N1U, N2U, N3U, N5RE, S3H2, S3TE, SBTE
	12209-Z8B-003	.....	-	-	-	-	-	-	-	1	-	-	-	-	-----	A1AF, E1A2, N7A1, S1A, S1M
	12209-Z8B-003	.....	-	-	-	-	-	-	-	1	-	-	-	-	-----	3116717 A1A, A2R, BHH, N1A, N1AF, N5AF, N5MF, N5R, N5RB, N7S1, R3A, S3A, S3H, S3T, SBT
	12209-Z8B-003	.....	-	-	-	-	-	-	-	1	-	-	-	-	-----	3116718 A1A, A2R, BHH, N1A, N1AF, N5AF, N5MF, N5R, N5RB, N7S1, R3A, S3A, S3H, S3T, SBT
			-	-	-	-	-	-	-	-	-	-	1	-		
11	14711-ZL8-000	VALVE, IN.(TECHNOSTAR).....	1	-	1	-	1	1	1	1	1	-	-	-	-----	A1A, A1AE, A1AF, A1AS, A1AW, A1E7, A1M, A2E7, A2R, BHH, BHH1, C1E, C1E1, C2E, C2E1, C3E, C3E1, C4E, C4E1, E2G7, N1A, N1AF, N1L, N1R, N1U, N2U, N3U, N3V, N5A, N5AF, N5MF, N5R, N7A1, N7S1, NBL1, R3A, RTL1, S1A, S1M, S2G7, S3A, S3A2, S3H, S3H2, STL1
	14711-Z0J-000	VALVE, IN.(ROCKNEL).....	-	1	-	-	-	-	-	-	-	-	-	-	-----	A1C, A1E, A1E8, A1W7, A2A, A2C, A2E8, A2E9, A2G7, A3A, A3E, A7E1, E1A2, E1A4, E1G7, E5A4, EHHB, N1C, N1E1, N1E7, N1W7, N1W8, N1W9, N2E7, N2E8, N2E9, N5C, R1A, R3A1, S1A1, STA1
	14711-ZL8-000	VALVE, IN.(TECHNOSTAR).....	-	-	-	1	-	-	-	-	-	-	-	-	-----	A1E7, A1E8, A1G7, A1G9, A1P, A1W7, A2A9, A2E7, A2E8, A2E9, A2G4, A2G7, A2G9, A2R, A3E7, A7E1, N1D, N1E1, N1E2, N1E7, N1J1, N1R, N1T8, N1T9, N1W7, N1W8, N1W9, N2E7, N2E8, N2E9, N7A1, S1E1, S2E, S2E1
	14711-ZL8-000	VALVE, IN.(TECHNOSTAR).....	-	-	-	1	-	-	-	-	-	-	-	-	-----	A3E9, A3G9, A3HV, A3T9, A3W7, A3W8, A4EV, A4G4, A4G7, A4G9, A7Q1, N2EE, N3T8, N3T9, N3W8, N3W9, S1G4, S2E2, S2E3, S3E9, S3G9, S4E4, S4E9, S4G4, S4G9, S4H4
12	14721-ZL8-000	VALVE, EX.(L8E).....	1	1	1	1	1	1	-	1	-	-	-	-	-----	A1G7, A1UV, A2UA, A3G7, A3HV, A3T9, A4G4, A4G7, A7H1, A7Q1, A7Q1/A, G5AF, G5B, G5BR, G5MF, N1U/A, N2EE, N2KE, N3T8, N5B, N5BR, NBHT, R3L, R3LE, S3AL, S3B, S3DB, S3HB, S3L, S3LB, S3LE, S4BB, S4G7, S4GB, S4HB, S4LE, SBA, SBH, SBHE, SBL, SBTE
	14721-Z8B-000	VALVE, EX.(C8E).....	-	-	1	-	-	-	-	1	-	-	-	-	-----	1537664 A1AW, A1E7, A1M, A2E7, BHH1, C1E, C1E1, C2E, C2E1, C3E, C3E1, C4E, C4E1, E2G7, N1L, N1R, N1U, N2U, N3U, N3V, N5RE, S2G7, S3H2, S3TE
	14721-ZL8-000	VALVE, EX.(L8E).....	-	-	-	-	-	-	-	1	-	-	-	-	-----	A1A, A1AF, A2R, A7H1, BHH, E1A2, G5AF, G5B, G5BR, G5MF, N1A, N1AF, N5AF, N5MF, N5R, N5RB, N7A1, N7S1, R3A, R3L, S1A, S1M, S3A, S3H, S3L, S3T, SBA, SBH, SBL, SBT
	14721-Z8B-000	VALVE, EX.(C8E).....	-	-	-	-	-	-	-	1	-	-	-	-	-----	2800939 A1A, A1AF, A2R, BHH, E1A2, N1A, N1AF, N5AF, N5MF, N5R, N5RB, N7A1, N7S1, R3A, S1A, S1M, S3A, S3H, S3T, SBT
	14721-ZL8-000	VALVE, EX.(L8E).....	-	-	-	-	-	-	-	1	-	-	-	-	-----	7676315 N5B, N5BR, S3B, S3DB, S3LB
	14721-Z8B-000	VALVE, EX.(C8E).....	-	-	-	-	-	-	-	-	-	-	1	-		
13	14751-ZL8-000	SPRING, VALVE.....	2	2	2	2	2	2	2	2	-	-	-	-		
14	14771-ZE1-000	RETAINER, IN. VALVE SPRING...	2	-	-	-	2	-	-	-	-	-	-	-		
	14771-Z0J-000	RETAINER, VALVE SPRING.....	-	2	2	-	-	2	2	2	-	-	-	-		
	14771-ZE1-000	RETAINER, IN. VALVE SPRING...	-	-	-	2	-	-	-	-	-	-	-	-	-----	A1E7, A1E8, A1G7, A1W7, A2A9, A2E7, A2E8, A2E9, A2G4, A2G7, A2G9, A2R, A3E7, A3W8, N1D, N1E1, N1E2, N1E7, N1R, N1T8, N1T9, N1W7, N1W8, N1W9, N2E8, N2E9, N3T9, N7A1, S1E1, S2E, S2E1, S2E2, S2E3, S3E9, S3G9, S4E4, S4E9
	14771-ZE1-000	RETAINER, IN. VALVE SPRING...	-	-	-	2	-	-	-	-	-	-	-	-	-----	3487259 A1G9, A1P, A3E9, A3G9, A3HV, A3T9, A3W7, A4EV, A4G4, A4G7, A4G9, A7E1, A7Q1, N1J1, N2E7, N2EE, N3T8, N3W8, N3W9, S1G4, S4G4, S4G9, S4H4



# E-3

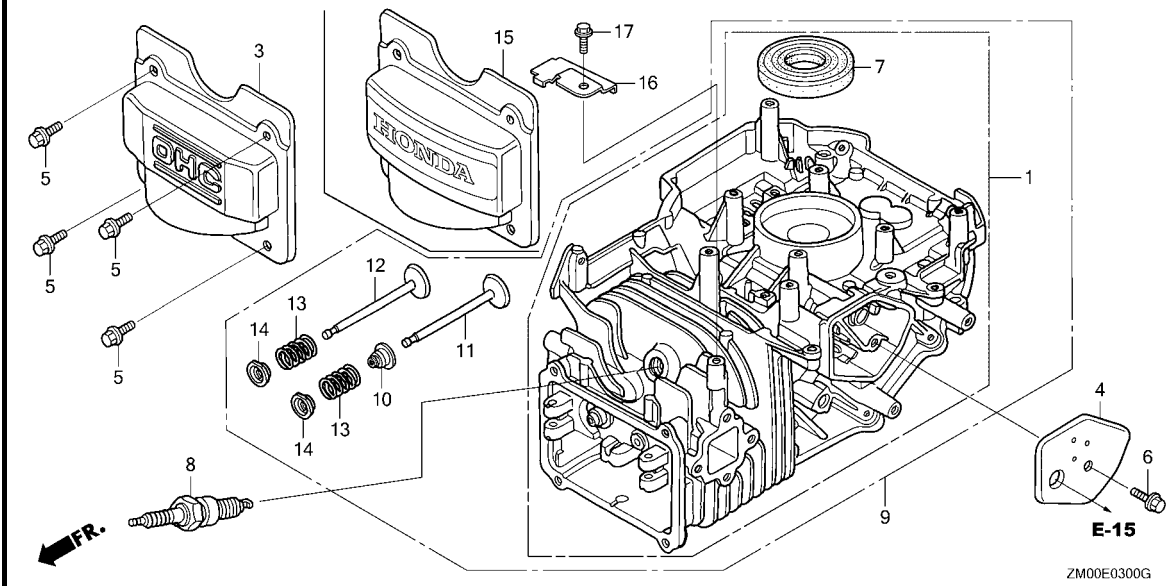
# CYLINDER BARREL



Ref. No.	Part No.	Description	Reqd. QTY							Serial No.	Parts catalogue code
			GCV 160	GCV 160 A	GCV 160 A0	GCV 160 E	GCV 160 LE	GCV 160 LA	GCV 160 LA0		
14)	14771-Z0J-000	RETAINER, VALVE SPRING .....	-	-	-	2	-	-	-	3487260	----- A1G9, A1P, A3E9, A3G9, A3HV, A3T9, A3W7, A4EV, A4G4, A4G7, A4G9, A7E1, A7Q1, N1J1, N2E7, N2EE, N3T8, N3W8, N3W9, S1G4, S4G4, S4G9, S4H4
15	12311-Z8B-000	COVER, HEAD .....	-	-	1	-	-	-	1	-	----- A1G7, A1UV, A2UA, A3G7, A3HV, A3T9, A4G4, A4G7, A7H1, A7Q1, A7Q1/A, G5B, G5BR, N1U/A, N3T8, N5B, N5BR, R3L, R3LE, S3AL, S3B, S3DB, S3HB, S3L, S3LB, S3LE, S4BB, S4G7, S4GB, S4HB, S4LE, SBA, SBH, SBHE, SBL, SBT
	12310-Z8A-000	COVER COMP., CYLINDER HEAD ...	-	-	1	-	-	-	1	-	----- G5AF, G5MF, N2EE, N2KE, NBHT
	12311-Z8B-000	COVER, HEAD .....	-	-	1	-	-	-	-	1677022	----- A1AW, A1E7, A1M, A2E7, BHH1, C1E, C1E1, C2E, C2E1, C3E, C3E1, C4E, C4E1, E2G7, N1L, N1R, N1U, N2U, N3U, N3V, N5RE, S2G7, S3H2, S3TE
			-	-	-	-	-	-	1	3228869	----- A1AF, BHH, E1A2, N5R, N5RB, N7A1, N7S1, R3A, S1A, S1M, S3A, S3H, S3T, SBT
	12310-Z8A-000	COVER COMP., CYLINDER HEAD ...	-	-	-	-	-	-	1	3228869	----- A1A, A2R, N1A, N1AF, N5AF, N5MF
			-	-	-	-	-	-	1	3234485	----- A1A, A2R, N1A, N1AF, N5AF, N5MF
			-	-	-	-	-	-	-	1	----- A1A, A1A/A, A2R, A2R/A, G5AF, G5AF/A, G5MF, G5MF/A, N1A, N1A/A, N5AF, N5AF/A
	12311-Z8B-000	COVER, HEAD .....	-	-	-	-	-	-	-	1	----- A7H1, A7H1/A, A7X1, G5B, G5B/A, G5BR, G5BR/A, N5B, N5B/A, N5BR, N5BR/A, S3B, S3B/A, S3LB, S3LB/A, SBA, SBA/A, SBH, SBH/A, SBT, SBT/A
16	16384-Z8B-000	BRACKET, REGULATOR .....	-	-	1	-	-	-	1	-	----- R3L, R3LE, S3AL, S3B, S3DB, S3HB, S3L, S3LB, S3LE, S4BB, S4G7, S4GB, S4HB, S4LE
			-	-	1	-	-	-	-	3306863	----- S3TE, SBT
			-	-	-	-	-	-	1	3540038	----- S3H, S3T, SBT
			-	-	-	-	-	-	1	----- S3B, S3B/A, S3LB, S3LB/A, SBT, SBT/A	

# E-3

# CYLINDER BARREL

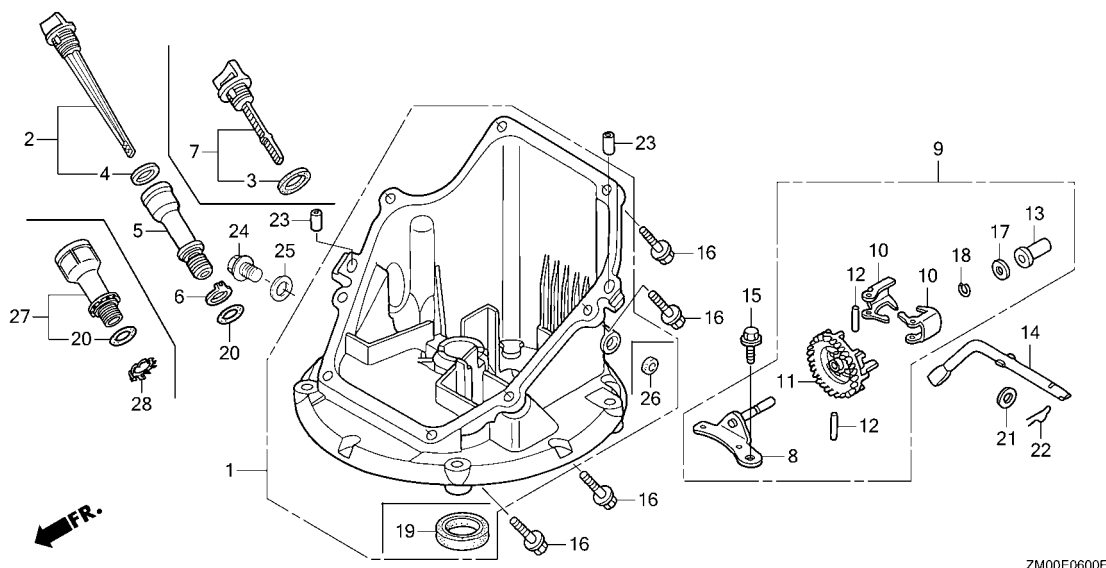


Ref. No.	Part No.	Description	Reqd. QTY								Serial No.	Parts catalogue code
			GCV 160	GCV 160 A	GCV 160 A0	GCV 160 E	GCV 160 LE	GCV 160 LA	GCV 160 LA0	GCV 160 LA1		
17	90014-952-000	BOLT, FLANGE, 6X14(CT200).....	-	-	1	-	-	-	1	-	-----	R3L,R3LE,S3AL,S3B,S3DB,S3HB,S3L,S3LB,S3LE S4BB,S4G7,S4GB,S4HB,S4LE
			-	-	1	-	-	-	-	3306863	-----	S3TE,SBTE
			-	-	-	-	-	-	1	3540038	-----	S3H,S3T,SBT
			-	-	-	-	-	-	1	-----	-----	S3B,S3B/A,S3LB,S3LB/A,SBT,SBT/A



# E-6

# OIL PAN



ZM00E0600F

Ref. L.O.N. (Relative ref. Number) F.R.T.  
No. Description

Ref. No.	Part No.	Description	Reqd. QTY								Serial No.	Parts catalogue code	
			GCV 160	GCV 160 A	GCV 160 A0	GCV 160 E	GCV 160 LE	GCV 160 LA	GCV 160 LA0	GCV 160 LA1			
1	11300-ZM0-406	PAN ASSY., OIL.....	1	1	1	1	-	-	-	-	-	-	A1P, A1U, A1UV, N1J1, N1R, N1U, N1U/A, N3U, N3V
	11300-ZM0-408	.....	1	1	1	1	-	-	-	-	-	-	A1W2, A1W7, A3T9, A3W7, A3W8, N1T8, N1T9, N1W1, N1W2, N1W8, N1W9, N3T8, N3T9, N3W8, N3W9
	11300-Z0M-405	.....	1	1	-	1	1	1	1	1	1	1	A7E1, A7H1, A7H1/A, A7Q1, A7X1, C3E, C3E1, C4E, C4E1, N2EE, N7A1, N7S1
	11300-ZM0-405	.....	1	-	-	-	1	-	-	-	-	-	A1E7, A1E8, A1G7, A1J, A2A9, A2C, A2E7, A2E8, A2E9, A2G7, A2U, A4A9, N1, N1D, N1E7, N1W7, N2, N2D, N2E7, N2E8, N2E9
	11300-ZM0-810	.....	1	-	-	-	-	-	-	-	-	-	A4E, N2E2
	11300-ZM0-405	.....	1	-	-	-	-	-	-	-	-	-	1212768 N2U
	11300-ZM0-810	.....	1	-	-	-	-	-	-	-	-	-	1565747 A1A, A2A
	11300-ZM0-810	.....	1	-	-	-	-	-	-	-	-	-	2272086 A1C, A1E, A2E, A2E4, A3E, N1E1, N1E2, N1W, N2E, N2E1, N2E3
	11300-ZM0-V30	.....	1	-	-	-	-	-	-	-	-	-	2333245 A2R
	11300-ZM0-406	.....	1	-	-	-	-	-	-	-	-	-	1212769 2427111 N2U
	11300-ZM0-810	.....	1	-	-	-	-	-	-	-	-	-	1565748 2272086 A1A, A2A
	11300-ZM0-405	.....	1	-	-	-	-	-	-	-	-	-	2272087 A1A, A1C, A1E, A2A, A2E, A2E4, A3E, N1E1, N1E2, N1W, N2E, N2E1, N2E3
	11300-ZM0-407	.....	1	-	-	-	-	-	-	-	-	-	2333246 A2R
	11300-ZM0-405	.....	1	-	-	-	-	-	-	-	-	-	2427112 N2U
	11300-ZM0-407	.....	-	1	1	1	-	1	1	1	1	1	A2R, A2R/A, G5B, G5B/A, G5BR, G5BR/A, N5B, N5B/A, N5BR, N5BR/A, N5R, N5RB, N5RE
	11300-Z0L-405	.....	-	1	1	-	-	1	1	1	1	1	E1A4, E5A4, G5AF, G5AF/A, G5MF, G5MF/A, N1A, N1A/A, N1AF, N1C, N1L, N5A, N5AF, N5AF/A, N5C, N5MF

2

**E-6**

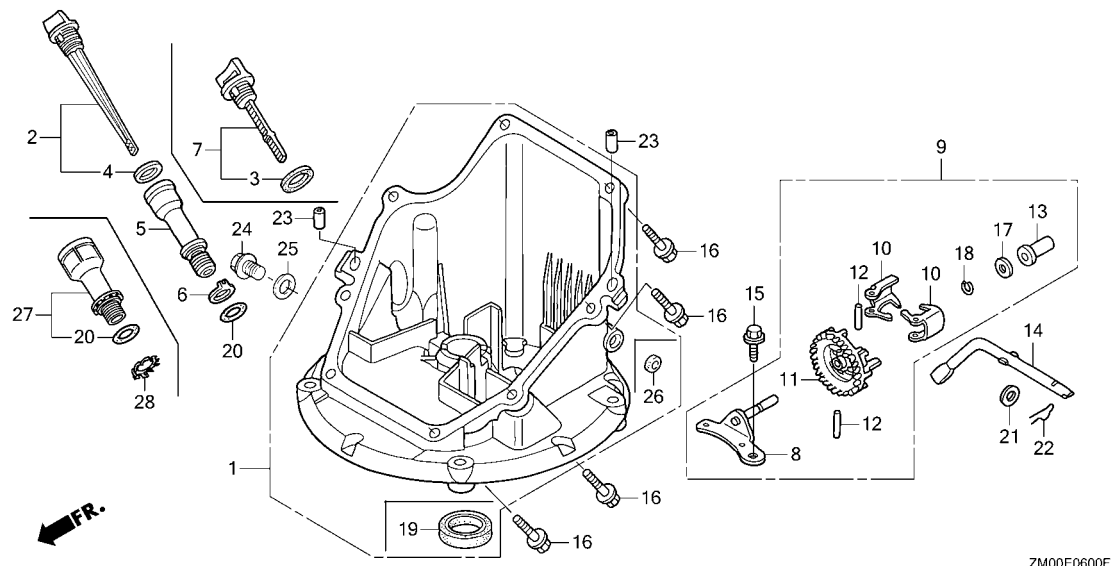
**OIL PAN**

Ref. No.	Part No.	Description	Reqd. QTY									Serial No.	Parts catalogue code	
			GCV 160	GCV 160 A	GCV 160 A0	GCV 160 E	GCV 160 LE	GCV 160 LA	GCV 160 LA0	GCV 160 LA1				
(1)	11300-ZM0-405	PAN ASSY., OIL .....	-	1	-	1	-	1	1	1	1	1	-----	A1A, A1A/A, A1AE, A1AF, A1AS, A1AW, A1C, A1E, A1E7, A1E8, A1G7, A1G9, A1M, A2A, A2A9, A2C, A2E7, A2E8, A2E9, A2G4, A2G7, A2G9, A3A, A3E, A3E7, A3E9, A3G9, A3HV, A4EV, A4G4, A4G7, A4G9, BHH, BHH1, C1E, C1E1, C2E, C2E1, E1A2, E1G7, E2G7, EHBB, N1D, N1E1, N1E2, N1E7, N1W7, N2E7, N2E8, N2E9, N2U, NBL1, R1A, R3A, R3A1, R3L, RTL1, S1A, S1A1, S1E1, S1G4, S1M, S2E, S2E1, S2E2, S2E3, S2G7, S3A, S3A2, S3B, S3B/A, S3DB, S3E9, S3G9, S3H, S3H2, S3L, S3LB, S3LB/A, S3T, S4E4, S4E9, S4G4, S4G9, S4H4, SBA, SBA/A, SBH, SBH/A, SBL, SBT, SBT/A, STA1, STL1
			-	-	1	-	-	-	-	-	-	-	-----	A1AW, A1E7, A1G7, A1M, A2E7, A2UA, A3G7, A3HV, A4G4, A4G7, BHH1, C1E, C1E1, C2E, C2E1, C3E, C3E1, C4E, C4E1, E2G7, N2U, R3LE, S2G7, S3AL, S3DB, S3H2, S3HB, S3LE, S3TE, S4BB, S4G7, S4GB, S4HB, S4LE, SBHE, SBTE
	11300-Z0M-405	.....	-	-	1	-	-	-	-	-	-	-	-----	A7Q1, A7Q1/A, N2EE, N2KE, NBHT
2	15650-ZM0-801	GAUGE ASSY., OIL LEVEL .....	1	1	1	-	-	1	1	1	1	1	-----	A1AE, A1E, A1E7, A1E8, A1G7, A1P, A1U, A1UV, A1W2, A1W7, A2E, A2E4, A2E7, A2E8, A2E9, A2G7, A2U, A2UA, A3E, A3G7, A3HV, A3T9, A4E, A4G4, A4G7, A7E1, A7H1, A7H1/A, A7Q1, A7Q1/A, A7X1, BHH, BHH1, N1E1, N1E2, N1E7, N1R, N1U, N1U/A, N1W, N1W1, N1W2, N1W7, N1W8, N1W9, N2E, N2E1, N2E2, N2E3, N2E7, N2E8, N2E9, N2EE, N2KE, N2U, N3T8, N3U, N3V, N7A1, N7S1, NBHT, NBL1, S1M, S2G7, S3A, S3AL, S3B, S3B/A, S3DB, S3H, S3H2, S3HB, S3L, S3LB, S3LB/A, S3LE, S3T, S3TE, S4BB, S4G7, S4GB, S4HB, S4LE, SBA, SBA/A, SBH, SBH/A, SBHE, SBL, SBT, SBT/A, SBTE, STA1, STL1
	15650-Z0L-820	.....	-	1	1	-	-	1	1	-	-	-	-----	C1E, C1E1, C2E, C2E1, C3E, C3E1, C4E, C4E1, E1A2, E1A4, E1G7, E2G7, E5A4, EHBB, R1A, R3A, R3A1, R3L, R3LE, RTL1
	15650-Z0M-800	.....	-	-	-	1	1	-	-	-	-	-	-----	A1E7, A1E8, A1G7, A1G9, A1P, A1W7, A2A9, A2E7, A2E8, A2E9, A2G4, A2G7, A2G9, A3E7, A3E9, A3G9, A3HV, A3T9, A3W7, A3W8, A4A9, A4EV, A4G4, A4G7, A4G9, A7E1, A7H1, A7Q1, N1E1, N1E2, N1E7, N1R, N1T8, N1T9, N1W7, N1W8, N1W9, N2E7, N2E8, N2E9, N2EE, N3T8, N3T9, N3W8, N3W9, N7A1, S1E1, S1G4, S2E, S2E1, S2E2, S2E3, S3E9, S3G9, S4E4, S4E9, S4G4, S4G9, S4H4
3	15625-ZE1-003	PACKING, OIL FILLER CAP .....	1	-	1	-	-	-	-	-	-	-	-----	A1A, A1C, A1J, A1M, A2A, A2C, A2R, N1, N1D, N1J1, N1L, N2, N2D
	15625-Z2L-801	.....	-	1	1	-	-	-	-	-	-	-	-----	A1AW, N5MF, N5R, N5RE
	15625-ZE1-003	.....	-	1	-	-	-	-	-	-	-	-	-----	A1M, N1L
			-	1	-	-	-	-	-	-	-	-	3724306	A1A, A1AF, A1AS, A1C, A2A, A2C, A2R, A3A, N1A, N1AF, N1C, N5A, N5AF, N5C, S1A, S1A1, S3A2
	15625-Z2L-801	.....	-	1	-	-	-	-	-	-	-	-	3724307	A1A, A1AF, A1AS, A1C, A2A, A2C, A2R, A3A, N1A, N1AF, N1C, N5A, N5AF, N5C, S1A, S1A1, S3A2
	15625-ZE1-003	.....	-	-	-	1	-	-	-	-	-	-	-----	A2R, N1D, N1J1
	15625-Z2L-801	.....	-	-	-	-	-	1	1	1	1	1	-----	A1A, A1A/A, A1AF, A2R, A2R/A, G5AF, G5AF/A, G5B, G5B/A, G5BR, G5BR/A, G5MF, G5MF/A, N1A, N1A/A, N1AF, N5AF, N5AF/A, N5B, N5B/A, N5BR, N5BR/A, N5MF, N5R, N5RB, S1A



# E-6

# OIL PAN



ZM00E0600F

Ref. No.	Part No.	Description	Reqd. QTY							Serial No.	Parts catalogue code	
			GCV 160	GCV 160 A	GCV 160 A0	GCV 160 E	GCV 160 LE	GCV 160 LA	GCV 160 LA0			GCV 160 LA1
4	15625-ZE6-000	PACKING, OIL FILLER CAP.....	1	1	1	1	1	1	1	1	-----	A1AE, A1E, A1E7, A1E8, A1G7, A1G9, A1P, A1U, A1UV, A1W2, A1W7, A2A9, A2E, A2E4, A2E7, A2E8, A2E9, A2G4, A2G7, A2G9, A2U, A2UA, A3E, A3E7, A3E9, A3G7, A3G9, A3HV, A3T9, A3W7, A3W8, A4A9, A4E, A4EV, A4G4, A4G7, A4G9, A7E1, A7H1, A7H1/A, A7Q1, A7Q1/A, A7X1, BHH, BHH1, C1E, C1E1, C2E, C2E1, C3E, C3E1, C4E, C4E1, E1A2, E1A4, E1G7, E2G7, E5A4, EHHB, N1E1, N1E2, N1E7, N1R, N1T8, N1T9, N1U, N1U/A, N1W, N1W1, N1W2, N1W7, N1W8, N1W9, N2E, N2E1, N2E2, N2E3, N2E7, N2E8, N2E9, N2EE, N2KE, N2U, N3T8, N3T9, N3U, N3V, N3W8, N3W9, N7A1, N7S1, NBHT, NBL1, R1A, R3A, R3A1, R3L, R3LE, RTL1, S1E1, S1G4, S1M, S2E, S2E1, S2E2, S2E3, S2G7, S3A, S3AL, S3B, S3B/A, S3DB, S3E9, S3G9, S3H, S3H2, S3HB, S3L, S3LB, S3LB/A, S3LE, S3T, S3TE, S4BB, S4E4, S4E9, S4G4, S4G7, S4G9, S4GB, S4H4, S4HB, S4LE, SBA, SBA/A, SBH, SBH/A, SBHE, SBL, SBT, SBT/A, SBTE, STA1, STL1
5	15631-ZM0-000	EXTENSION, OIL FILLER.....	1	1	-	-	1	1	-	-	-----	A1AE, A1E, A1E7, A1E8, A1G7, A1P, A1U, A1W2, A1W7, A2A9, A2E, A2E4, A2E7, A2E8, A2E9, A2G7, A2U, A3E, A4A9, A4E, A7E1, A7H1, BHH, BHH1, N1E1, N1E2, N1E7, N1R, N1U, N1W, N1W1, N1W2, N1W7, N1W8, N1W9, N2E, N2E1, N2E2, N2E3, N2E7, N2E8, N2E9, N2U, N3U, N3V, N7A1, N7S1, NBL1, S1M, S2G7, S3A, S3H, S3H2, STA1, STL1
	15631-Z0L-820	.....	-	1	1	-	-	1	1	-	-----	C1E, C1E1, C2E, C2E1, C3E, C3E1, C4E, C4E1, E1A2, E1A4, E1G7, E2G7, E5A4, EHHB, R1A, R3A, R3A1, R3L, R3LE, RTL1

**E-6**

**OIL PAN**

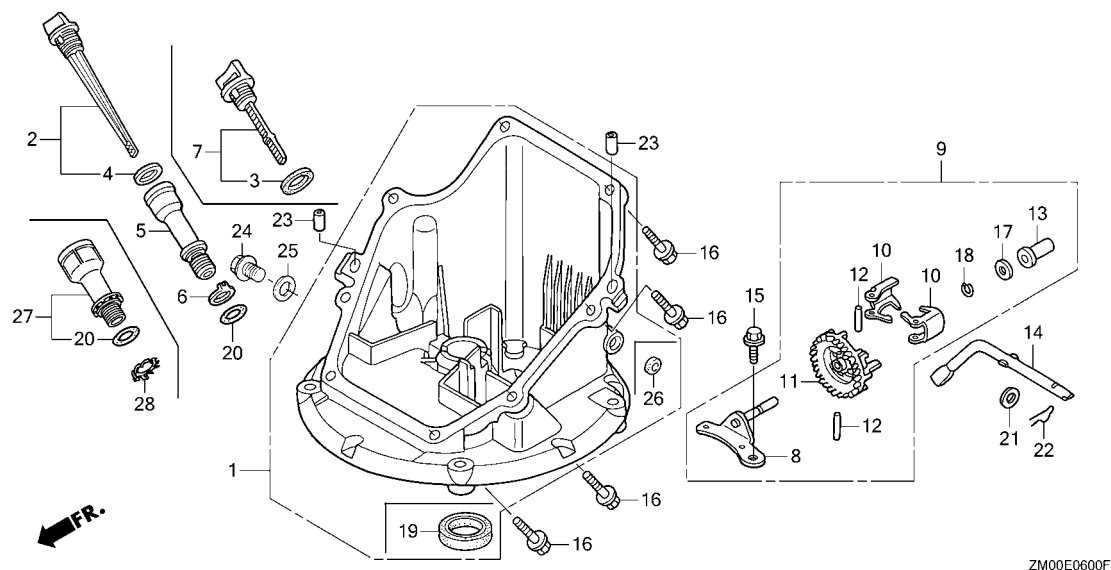
Ref. No.	Part No.	Description	Reqd. QTY										Serial No.	Parts catalogue code			
			GCV 160	GCV 160 A	GCV 160 A0	GCV 160 E	GCV 160 LE	GCV 160 LA	GCV 160 LA0	GCV 160 LA1							
(5)	15631-ZM0-000	EXTENSION, OIL FILLER .....	-	-	1	-	-	-	-	-	-	-	-	-	-	A1E7, A1UV, A2E7, A2UA, A4G4, BHH1, N1R, N3T8, N3U, N3V, NBHT, S2G7, S3AL, S3DB, S3H2, S3LE, S4BB, S4GB, S4LE	
			-	-	1	-	-	-	-	-	-	-	-	-	-	-	3459592 A1G7, A3G7, A3HV, A3T9, A4G7, A7Q1, N1U, N2EE, N2KE, N2U, S3HB, S3TE, S4G7, S4HB, SBHE, SBTE
			-	-	-	1	-	-	-	-	-	-	-	-	-	-	-
-	-	-	-	-	-	-	1	-	-	-	-	-	-	-	BHH, N7A1, N7S1, S1M, S3A, S3DB, S3H, S3L, S3T, SBL		
-	-	-	-	-	-	-	1	-	-	-	-	-	-	-	9581625 A7H1, S3B, S3LB, SBA, SBH, SBT		
6	15639-ZM0-000	WASHER, EXTENSION LOCK .....	1	1	-	-	1	1	-	-	-	-	-	-	-	A1AE, A1E, A1E7, A1E8, A1G7, A1P, A1U, A1W2, A1W7, A2A9, A2E, A2E4, A2E7, A2E8, A2E9, A2G7, A2U, A3E, A4A9, A4E, A7E1, A7H1, BHH, BHH1, C1E, C1E1, C2E, C2E1, C3E, C3E1, C4E, C4E1, E1A2, E1A4, E1G7, E2G7, E5A4, EHHB, N1E1, N1E2, N1E7, N1R, N1U, N1W, N1W1, N1W2, N1W7, N1W8, N1W9, N2E, N2E1, N2E2, N2E3, N2E7, N2E8, N2E9, N2U, N3U, N3V, N7A1, N7S1, NBL1, R1A, R3A, R3A1, RTL1, S1M, S2G7, S3A, S3H, S3H2, STA1, STL1	
			-	-	1	-	-	-	-	-	-	-	-	-	-	-	A1E7, A1UV, A2E7, A2UA, A4G4, BHH1, C1E, C1E1, C2E, C2E1, C3E, C3E1, C4E, C4E1, E2G7, N1R, N3T8, N3U, N3V, NBHT, R3LE, S2G7, S3AL, S3DB, S3H2, S3LE, S4BB, S4GB, S4LE
			-	-	1	-	-	-	-	-	-	-	-	-	-	-	-
-	-	-	-	1	-	-	-	-	-	-	-	-	-	-	A1E7, A1E8, A1G7, A1G9, A1P, A1W7, A2A9, A2E7, A2E8, A2E9, A2G4, A2G7, A2G9, A3E7, A3E9, A3G9, A3HV, A3T9, A3W7, A3W8, A4EV, A4G4, A4G7, A4G9, A7E1, A7Q1, N1E1, N1E2, N1E7, N1R, N1T8, N1T9, N1W7, N1W8, N1W9, N2E7, N2E8, N2E9, N2EE, N3T8, N3T9, N3W8, N3W9, N7A1, S1E1, S1G4, S2E, S2E1, S2E2, S2E3, S3E9, S3G9, S4E4, S4E9, S4G4, S4G9, S4H4		
-	-	-	-	-	-	-	-	1	-	-	-	-	-	-	BHH, E1A2, N7A1, N7S1, R3A, R3L, S1M, S3A, S3DB, S3H, S3L, S3T, SBL		
-	-	-	-	-	-	-	-	1	-	-	-	-	-	-	9581625 A7H1, S3B, S3LB, SBA, SBH, SBT		
7	15650-ZM0-003	GAUGE ASSY., OIL LEVEL .....	1	-	1	-	-	-	-	-	-	-	-	-	-	A1A, A1C, A1J, A1M, A2A, A2C, A2R, N1, N1D, N1J1, N1L, N2, N2D	
			-	1	1	-	-	-	-	-	-	-	-	-	-	-	A1AW, N5MF, N5R, N5RE
			-	1	-	-	-	-	-	-	-	-	-	-	-	-	A1M, N1L
-	-	-	-	-	-	-	-	-	-	-	-	-	-	-	3724306 A1A, A1AF, A1AS, A1C, A2A, A2C, A2R, A3A, N1A, N1AF, N1C, N5A, N5AF, N5C, S1A, S1A1, S3A2		
-	-	-	-	-	-	-	-	-	-	-	-	-	-	-	A1A, A1AF, A1AS, A1C, A2A, A2C, A2R, A3A, N1A, N1AF, N1C, N5A, N5AF, N5C, S1A, S1A1, S3A2		
-	-	-	-	1	-	-	-	-	-	-	-	-	-	-	A2R, N1D, N1J1		
-	-	-	-	-	-	-	1	1	1	-	-	-	-	-	A1A, A1A/A, A1AF, A2R, A2R/A, G5AF, G5AF/A, G5B, G5B/A, G5BR, G5BR/A, G5MF, G5MF/A, N1A, N1A/A, N1AF, N5AF, N5AF/A, N5B, N5B/A, N5BR, N5BR/A, N5MF, N5R, N5RB, S1A		
8	16508-ZM0-010	SHAFT COMP., GOVERNOR HOLDER .....	1	-	-	-	-	-	-	-	-	-	-	-	-	A1E7, A1E8, A1G7, A1W2, A1W7, A2E4, A2E7, A2E8, A2E9, A2G7, A7E1, N1E7, N1J1, N1R, N1W1, N1W2, N1W7, N1W8, N1W9, N2E7, N2E8, N2E9, N3U, N7A1	
			1	-	-	-	-	-	-	-	-	-	-	-	-	-	1887052 A1A, A1C, A1E, A1J, A1P, A1U, A2A, A2C, A2E, A2R, A2U, A3E, A4E, N1, N1D, N1E1, N1E2, N1U, N1W, N2, N2D, N2E, N2E1, N2E2, N2E3, N2U, N3V





E-6

OIL PAN



ZM00E0600F

Ref. No.	Part No.	Description	Reqd. QTY									Serial No.	Parts catalogue code
			GCV 160	GCV 160 A	GCV 160 A0	GCV 160 E	GCV 160 LE	GCV 160 LA	GCV 160 LA0	GCV 160 LA1			
(8)	16508-ZM0-010	SHAFT COMP., GOVERNOR HOLDER	1	-	-	-	-	-	-	-	1887053	-----	A1A, A1C, A1E, A1J, A1P, A1U, A2A, A2C, A2E, A2R, A2U, A3E, A4E, N1, N1D, N1E1, N1E2, N1U, N1W, N2, N2D, N2E, N2E1, N2E2, N2E3, N2U, N3V
			-	1	1	-	-	1	1	-	-----	-----	A1A, A1AE, A1AF, A1AS, A1AW, A1C, A1E, A1E7, A1E8, A1M, A1W7, A2A, A2C, A2E7, A2E8, A2E9, A2G7, A2R, A3A, A3E, A7E1, BHH, BHH1, C1E, C1E1, C2E, C2E1, C3E, C3E1, C4E, C4E1, E1A2, E1A4, E1G7, E2G7, E5A4, EHHB, N1A, N1AF, N1C, N1E1, N1E7, N1L, N1R, N1U, N1W7, N1W8, N1W9, N2E7, N2E8, N2E9, N2U, N3U, N3V, N5A, N5AF, N5C, N5MF, N5R, N5RB, N5RE, N7A1, N7S1, NBL1, R1A, R3A, R3A1, RTL1, S1A, S1A1, S1M, S2G7, S3A, S3A2, S3H, S3H2, S3T, S3TE, SBT, SBTE, STA1, STL1
	16508-Z8B-003	.....	-	-	1	-	-	-	1	-	-----	-----	A1G7, A1UV, A2UA, A3G7, A3HV, A3T9, A4G4, A4G7, A7H1, A7Q1, G5AF, G5B, G5BR, G5MF, N2EE, N2KE, N3T8, N5B, N5BR, NBHT, R3L, R3LE, S3AL, S3B, S3DB, S3HB, S3L, S3LB, S3LE, S4BB, S4G7, S4GB, S4HB, S4LE, SBA, SBH, SBHE, SBL
	16508-Z8B-013	.....	-	-	1	-	-	-	-	1	-----	-----	A1A, A1A/A, A2R, A2R/A, A7H1, A7H1/A, A7Q1/A, A7X1, G5AF, G5AF/A, G5B, G5B/A, G5BR, G5BR/A, G5MF, G5MF/A, N1A, N1A/A, N1U/A, N5AF, N5AF/A, N5B, N5B/A, N5BR, N5BR/A, S3B, S3B/A, S3LB, S3LB/A, SBA, SBA/A, SBH, SBH/A, SBT, SBT/A

**E-6**

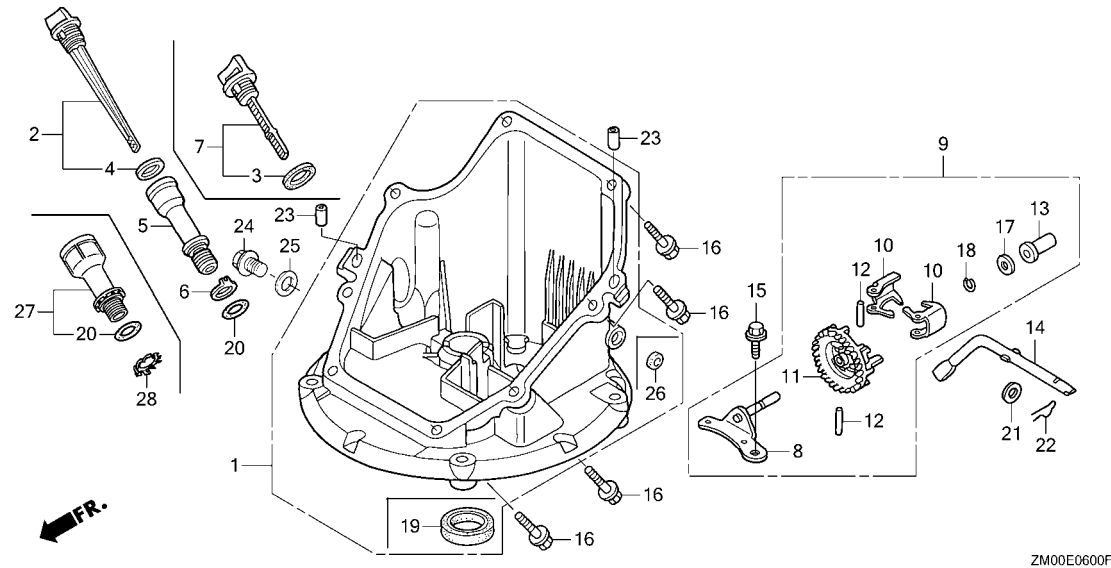
**OIL PAN**

Ref. No.	Part No.	Description	Reqd. QTY										Serial No.	Parts catalogue code		
			GCV 160	GCV 160 A	GCV 160 A0	GCV 160 E	GCV 160 LE	GCV 160 LA	GCV 160 LA0	GCV 160 LA1						
(8)	16508-ZM0-010	SHAFT COMP., GOVERNOR HOLDER	-	-	-	1	-	-	-	-	-	-	-	-	-----	A1E7, A1E8, A1G7, A1W7, A2A9, A2E7, A2E8, A2E9, A2R N1D, N1E1, N1E2, N1E7, N1R, N1T8, N1W8, N1W9, N2E9 N3T9, N7A1, S2E
			-	-	-	1	-	-	-	-	-	-	-	-	-----	3436613 A1G9, A1P, A2G4, A2G7, A2G9, A3E7, A3E9, A3G9, A3T9 A3W7, A3W8, A4EV, A4G4, A4G7, A4G9, A7E1, A7Q1, N1J1 N1T9, N1W7, N2E7, N2E8, N2EE, N3T8, N3W8, N3W9, S1E1 S1G4, S2E1, S2E2, S2E3, S3E9, S3G9, S4E4, S4E9, S4G4 S4G9
	16508-Z1L-000	.....	-	-	-	1	-	-	-	-	-	-	-	-	-----	3509661 A3HV, S4H4
			-	-	-	1	-	-	-	-	-	-	-	-	-----	3436614 A2G4, A2G7, A2G9, A3E7, A3W8, N1T9, N1W7, N2E8, S1E1 S2E1, S2E2, S2E3, S3E9, S3G9, S4E4, S4E9
			-	-	-	1	-	-	-	-	-	-	-	-	-----	3436614 3509661 A1G9, A1P, A3E9, A3G9, A3T9, A3W7, A4EV, A4G4, A4G7 A4G9, A7E1, A7Q1, N1J1, N2E7, N2EE, N3T8, N3W8, N3W9 S1G4, S4G4, S4G9
	16508-Z8B-003	.....	-	-	-	1	-	-	-	-	-	-	-	-	-----	3509662 A1G9, A1P, A3E9, A3G9, A3HV, A3T9, A3W7, A4EV, A4G4 A4G7, A4G9, A7E1, A7Q1, N1J1, N2E7, N2EE, N3T8, N3W8 N3W9, S1G4, S4G4, S4G9, S4H4
	16508-ZM0-010	.....	-	-	-	-	1	-	-	-	-	-	-	-	-----	3506300
	16508-Z8B-003	.....	-	-	-	-	1	-	-	-	-	-	-	-	-----	3506301
9	16510-ZM0-010	GOVERNOR ASSY. ....	1	1	-	-	-	-	1	1	-	-	-	-	-----	A1A, A1AE, A1AF, A1AS, A1AW, A1C, A1E, A1E7, A1E8 A1G7, A1J, A1M, A1P, A1U, A1W2, A1W7, A2A, A2C, A2E A2E4, A2E7, A2E8, A2E9, A2G7, A2R, A2U, A3A, A3E, A4E A7E1, BHH, BHH1, C1E, C1E1, C2E, C2E1, C3E, C3E1, C4E C4E1, E1A2, E1A4, E1G7, E2G7, E5A4, EHHB, N1, N1A N1AF, N1C, N1D, N1E1, N1E2, N1E7, N1J1, N1L, N1R, N1U N1W, N1W1, N1W2, N1W7, N1W8, N1W9, N2, N2D, N2E, N2E1 N2E2, N2E3, N2E7, N2E8, N2E9, N2U, N3U, N3V, N5A, N5AF N5C, N5MF, N5R, N5RB, N7A1, N7S1, NBL1, R1A, R3A, R3A1 RTL1, S1A, S1A1, S1M, S2G7, S3A, S3A2, S3H, S3H2, S3T SBT, STA1, STL1
	16510-Z8B-000	.....	-	-	1	-	-	-	-	1	-	-	-	-	-----	A1G7, A1UV, A2UA, A3G7, A3HV, A3T9, A4G4, A4G7, A7H1 A7Q1, G5AF, G5B, G5BR, G5MF, N2EE, N2KE, N3T8, N5B N5BR, NBHT, R3L, R3LE, S3AL, S3B, S3DB, S3HB, S3L S3LB, S3LE, S4BB, S4G7, S4GB, S4HB, S4LE, SBA, SBH SBHE, SBL
	16510-Z8B-010	.....	-	-	1	-	-	-	-	-	-	-	1	-	-----	A1A, A1A/A, A2R, A2R/A, A7H1, A7H1/A, A7Q1/A, A7X1 G5AF, G5AF/A, G5B, G5B/A, G5BR, G5BR/A, G5MF, G5MF/A N1A, N1A/A, N1U/A, N5AF, N5AF/A, N5B, N5B/A, N5BR N5BR/A, S3B, S3B/A, S3LB, S3LB/A, SBA, SBA/A, SBH SBH/A, SBT, SBT/A
	16510-ZM0-010	.....	-	-	1	-	-	-	-	-	-	-	-	-	-----	A1AW, A1E7, A1M, A2E7, BHH1, C1E, C1E1, C2E, C2E1, C3E C3E1, C4E, C4E1, E2G7, N1L, N1R, N1U, N2U, N3U, N3V N5RE, S2G7, S3H2, S3TE, SBTE
			-	-	-	1	-	-	-	-	-	-	-	-	-----	A1E7, A1E8, A1G7, A1W7, A2A9, A2E7, A2E8, A2E9, A2R N1D, N1E1, N1E2, N1E7, N1R, N1T8, N1W8, N1W9, N2E9 N3T9, N7A1, S2E
			-	-	-	1	-	-	-	-	-	-	-	-	-----	3436613 A1G9, A1P, A2G4, A2G7, A2G9, A3E7, A3E9, A3G9, A3T9 A3W7, A3W8, A4EV, A4G4, A4G7, A4G9, A7E1, A7Q1, N1J1 N1T9, N1W7, N2E7, N2E8, N2EE, N3T8, N3W8, N3W9, S1E1 S1G4, S2E1, S2E2, S2E3, S3E9, S3G9, S4E4, S4E9, S4G4 S4G9
	16510-Z1L-000	.....	-	-	-	1	-	-	-	-	-	-	-	-	-----	3509661 A3HV, S4H4
			-	-	-	1	-	-	-	-	-	-	-	-	-----	3436614 A2G4, A2G7, A2G9, A3E7, A3W8, N1T9, N1W7, N2E8, S1E1 S2E1, S2E2, S2E3, S3E9, S3G9, S4E4, S4E9
			-	-	-	1	-	-	-	-	-	-	-	-	-----	3436614 3509661 A1G9, A1P, A3E9, A3G9, A3T9, A3W7, A4EV, A4G4, A4G7 A4G9, A7E1, A7Q1, N1J1, N2E7, N2EE, N3T8, N3W8, N3W9 S1G4, S4G4, S4G9



# E-6

# OIL PAN



Ref. No.	Part No.	Description	Reqd. QTY								Serial No.	Parts catalogue code
			GCV 160	GCV 160 A	GCV 160 A0	GCV 160 E	GCV 160 LE	GCV 160 LA	GCV 160 LA0	GCV 160 LA1		
(9)	16510-Z8B-000	GOVERNOR ASSY. ....	-	-	-	1	-	-	-	-	3509662	----- A1G9, A1P, A3E9, A3G9, A3HV, A3T9, A3W7, A4EV, A4G4, A4G7, A4G9, A7E1, A7Q1, N1J1, N2E7, N2EE, N3T8, N3W8, N3W9, S1G4, S4G4, S4G9, S4H4
	16510-ZM0-010	.....	-	-	-	-	1	-	-	-	----- 3506300	
	16510-Z8B-000	.....	-	-	-	-	1	-	-	-	----- 3506301	-----
10	16511-ZL8-000	WEIGHT, GOVERNOR .....	2	2	2	-	2	2	2	2	-----	----- A1E7, A1E8, A1G7, A1W7, A2A9, A2E7, A2E8, A2E9, A2R, N1D, N1E1, N1E2, N1E7, N1R, N1T8, N1W8, N1W9, N2E9, N3T9, N7A1, S2E
			-	-	-	2	-	-	-	-	----- 3436613	----- A1G9, A1P, A2G4, A2G7, A2G9, A3E7, A3E9, A3G9, A3T9, A3W7, A3W8, A4EV, A4G4, A4G7, A4G9, A7E1, A7Q1, N1J1, N1T9, N1W7, N2E7, N2E8, N2EE, N3T8, N3W8, N3W9, S1E1, S1G4, S2E1, S2E2, S2E3, S3E9, S3G9, S4E4, S4E9, S4G4, S4G9
	16511-Z1L-000	.....	-	-	-	2	-	-	-	-	----- 3509661	----- A3HV, S4H4
			-	-	-	2	-	-	-	-	----- 3436614	----- A2G4, A2G7, A2G9, A3E7, A3W8, N1T9, N1W7, N2E8, S1E1, S2E1, S2E2, S2E3, S3E9, S3G9, S4E4, S4E9
			-	-	-	2	-	-	-	-	----- 3436614	----- 3509661 A1G9, A1P, A3E9, A3G9, A3T9, A3W7, A4EV, A4G4, A4G7, A4G9, A7E1, A7Q1, N1J1, N2E7, N2EE, N3T8, N3W8, N3W9, S1G4, S4G4, S4G9
	16511-ZL8-000	.....	-	-	-	2	-	-	-	-	----- 3509662	----- A1G9, A1P, A3E9, A3G9, A3HV, A3T9, A3W7, A4EV, A4G4, A4G7, A4G9, A7E1, A7Q1, N1J1, N2E7, N2EE, N3T8, N3W8, N3W9, S1G4, S4G4, S4G9, S4H4

2

E-6

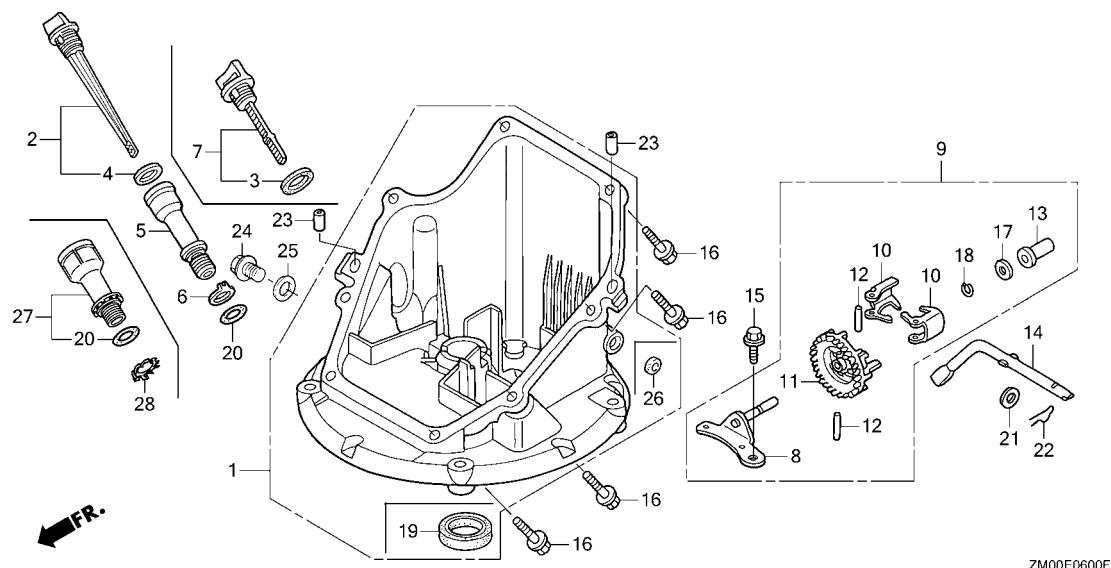
OIL PAN

Ref. No.	Part No.	Description	Reqd. QTY									Serial No.	Parts catalogue code
			GCV 160	GCV 160 A	GCV 160 A0	GCV 160 E	GCV 160 LE	GCV 160 LA	GCV 160 LA0	GCV 160 LA1			
11	16512-ZM0-000	HOLDER, GOVERNOR WEIGHT.....	1	1	1	-	1	1	1	-	-	-	A1A, A1AE, A1AF, A1AS, A1AW, A1C, A1E, A1E7, A1E8, A1G7, A1J, A1M, A1P, A1U, A1UV, A1W2, A1W7, A2A, A2A9, A2C, A2E, A2E4, A2E7, A2E8, A2E9, A2G7, A2R, A2U, A2UA, A3A, A3E, A3G7, A3HV, A3T9, A4A9, A4E, A4G4, A4G7, A7E1, A7H1, A7Q1, BHH, BHH1, C1E, C1E1, C2E, C2E1, C3E, C3E1, C4E, C4E1, E1A2, E1A4, E1G7, E2G7, E5A4, EHHB, G5AF, G5B, G5BR, G5MF, N1, N1A, N1AF, N1C, N1D, N1E1, N1E2, N1E7, N1J1, N1L, N1R, N1U, N1W, N1W1, N1W2, N1W7, N1W8, N1W9, N2, N2D, N2E, N2E1, N2E2, N2E3, N2E7, N2E8, N2E9, N2EE, N2KE, N2U, N3T8, N3U, N3V, N5A, N5AF, N5B, N5BR, N5C, N5MF, N5R, N5RB, N5RE, N7A1, N7S1, NBHT, NBL1, R1A, R3A, R3A1, R3L, R3LE, RTL1, S1A, S1A1, S1M, S2G7, S3A, S3A2, S3AL, S3B, S3DB, S3H, S3H2, S3HB, S3L, S3LB, S3LE, S3T, S3TE, S4BB, S4G7, S4GB, S4HB, S4LE, SBA, SBH, SBHE, SBL, SBT, SBTE, STA1, STL1
	16512-Z8B-300	.....	-	-	1	-	-	-	-	1	-	-	A1A, A1A/A, A2R, A2R/A, A7H1, A7H1/A, A7Q1/A, A7X1, G5AF, G5AF/A, G5B, G5B/A, G5BR, G5BR/A, G5MF, G5MF/A, N1A, N1A/A, N1U/A, N5AF, N5AF/A, N5B, N5B/A, N5BR, N5BR/A, S3B, S3B/A, S3LB, S3LB/A, SBA, SBA/A, SBH, SBH/A, SBT, SBT/A
	16512-ZM0-000	.....	-	-	-	1	-	-	-	-	-	-	A1E7, A1E8, A1G7, A1W7, A2A9, A2E7, A2E8, A2E9, A2R, N1D, N1E1, N1E2, N1E7, N1R, N1T8, N1W8, N1W9, N2E9, N3T9, N7A1, S2E
			-	-	-	1	-	-	-	-	3436613	-	A1G9, A1P, A2G4, A2G7, A2G9, A3E7, A3E9, A3G9, A3T9, A3W7, A3W8, A4EV, A4G4, A4G7, A4G9, A7E1, A7Q1, N1J1, N1T9, N1W7, N2E7, N2E8, N2EE, N3T8, N3W8, N3W9, S1E1, S1G4, S2E1, S2E2, S2E3, S3E9, S3G9, S4E4, S4E9, S4G4, S4G9
	16512-Z1L-000	.....	-	-	-	1	-	-	-	-	3509661	-----	A3HV, S4H4
			-	-	-	1	-	-	-	-	3436614	-----	A2G4, A2G7, A2G9, A3E7, A3W8, N1T9, N1W7, N2E8, S1E1, S2E1, S2E2, S2E3, S3E9, S3G9, S4E4, S4E9
			-	-	-	1	-	-	-	-	3436614	3509661	A1G9, A1P, A3E9, A3G9, A3T9, A3W7, A4EV, A4G4, A4G7, A4G9, A7E1, A7Q1, N1J1, N2E7, N2EE, N3T8, N3W8, N3W9, S1G4, S4G4, S4G9
	16512-ZM0-000	.....	-	-	-	1	-	-	-	-	3509662	-----	A1G9, A1P, A3E9, A3G9, A3HV, A3T9, A3W7, A4EV, A4G4, A4G7, A4G9, A7E1, A7Q1, N1J1, N2E7, N2EE, N3T8, N3W8, N3W9, S1G4, S4G4, S4G9, S4H4
12	16513-ZE1-000	PIN, GOVERNOR WEIGHT.....	2	2	2	2	-	2	2	2	-	-	
13	16531-ZE1-000	SLIDER, GOVERNOR.....	1	1	1	-	1	1	1	-	-	-	
	16531-Z8B-000	.....	-	-	1	-	-	-	-	1	-	-	A1A, A1AE, A1AF, A1AS, A1AW, A1C, A1E, A1E7, A1E8, A1G7, A1J, A1M, A1P, A1U, A1UV, A1W2, A1W7, A2A, A2A9, A2C, A2E, A2E4, A2E7, A2E8, A2E9, A2G7, A2R, A2U, A2UA, A3A, A3E, A3G7, A3HV, A3T9, A4A9, A4E, A4G4, A4G7, A7E1, A7H1, A7Q1, BHH, BHH1, C1E, C1E1, C2E, C2E1, C3E, C3E1, C4E, C4E1, E1A2, E1A4, E1G7, E2G7, E5A4, EHHB, G5AF, G5B, G5BR, G5MF, N1, N1A, N1AF, N1C, N1D, N1E1, N1E2, N1E7, N1J1, N1L, N1R, N1U, N1W, N1W1, N1W2, N1W7, N1W8, N1W9, N2, N2D, N2E, N2E1, N2E2, N2E3, N2E7, N2E8, N2E9, N2EE, N2KE, N2U, N3T8, N3U, N3V, N5A, N5AF, N5B, N5BR, N5C, N5MF, N5R, N5RB, N5RE, N7A1, N7S1, NBHT, NBL1, R1A, R3A, R3A1, R3L, R3LE, RTL1, S1A, S1A1, S1M, S2G7, S3A, S3A2, S3AL, S3B, S3DB, S3H, S3H2, S3HB, S3L, S3LB, S3LE, S3T, S3TE, S4BB, S4G7, S4GB, S4HB, S4LE, SBA, SBH, SBHE, SBL, SBT, SBTE, STA1, STL1
			-	-	1	-	-	-	-	1	-	-	A1A, A1A/A, A2R, A2R/A, A7H1, A7H1/A, A7Q1/A, A7X1, G5AF, G5AF/A, G5B, G5B/A, G5BR, G5BR/A, G5MF, G5MF/A, N1A, N1A/A, N1U/A, N5AF, N5AF/A, N5B, N5B/A, N5BR, N5BR/A, S3B, S3B/A, S3LB, S3LB/A, SBA, SBA/A, SBH, SBH/A, SBT, SBT/A



# E-6

# OIL PAN



Ref. No.	Part No.	Description	Reqd. QTY										Serial No.	Parts catalogue code		
			GCV 160	GCV 160 A	GCV 160 A0	GCV 160 E	GCV 160 LE	GCV 160 LA	GCV 160 LA0	GCV 160 LA1						
13)	16531-ZE1-000	SLIDER, GOVERNOR.....	-	-	-	1	-	-	-	-	-	-	-	-	A1E7, A1E8, A1G7, A1W7, A2A9, A2E7, A2E8, A2E9, A2R N1D, N1E1, N1E2, N1E7, N1R, N1T8, N1W8, N1W9, N2E9 N3T9, N7A1, S2E	
			-	-	-	1	-	-	-	-	-	-	-	-	3436613 A1G9, A1P, A2G4, A2G7, A2G9, A3E7, A3E9, A3G9, A3T9 A3W7, A3W8, A4EV, A4G4, A4G7, A4G9, A7E1, A7Q1, N1J1 N1T9, N1W7, N2E7, N2E8, N2EE, N3T8, N3W8, N3W9, S1E1 S1G4, S2E1, S2E2, S2E3, S3E9, S3G9, S4E4, S4E9, S4G4 S4G9	
	16531-Z1L-000	.....	-	-	-	1	-	-	-	-	-	-	-	-	3509661 A3HV, S4H4	
			-	-	-	1	-	-	-	-	-	-	-	-	3436614 A2G4, A2G7, A2G9, A3E7, A3W8, N1T9, N1W7, N2E8, S1E1 S2E1, S2E2, S2E3, S3E9, S3G9, S4E4, S4E9	
			-	-	-	1	-	-	-	-	-	-	-	-	3436614 3509661 A1G9, A1P, A3E9, A3G9, A3T9, A3W7, A4EV, A4G4, A4G7 A4G9, A7E1, A7Q1, N1J1, N2E7, N2EE, N3T8, N3W8, N3W9 S1G4, S4G4, S4G9	
	16531-ZE1-000	.....	-	-	-	1	-	-	-	-	-	-	-	-	3509662 A1G9, A1P, A3E9, A3G9, A3HV, A3T9, A3W7, A4EV, A4G4 A4G7, A4G9, A7E1, A7Q1, N1J1, N2E7, N2EE, N3T8, N3W8 N3W9, S1G4, S4G4, S4G9, S4H4	
14	16541-ZM0-000	SHAFT, GOVERNOR ARM.....	1	1	-	1	1	1	-	-	-	-	-	-		
	16541-Z8B-000	.....	-	-	1	-	-	-	1	-	-	-	-	-		
			-	-	1	-	-	-	-	-	-	-	-	-	1253974 A1UV, A2UA, A4G4, A7H1, A7Q1/A, G5AF, G5B, G5BR, G5MF N1U/A, N3T8, N5B, N5BR, NBHT, R3L, R3LE, S3AL, S3B S3DB, S3L, S3LB, S3LE, S4BB, S4GB, S4LE, SBA, SBH, SBL N5RE	
	16541-ZM0-000	.....	-	-	1	-	-	-	-	-	-	-	-	-	1271672 A1AW, A1E7, A1M, A2E7, BHH1, C1E, C1E1, C2E, C2E1, C3E C3E1, C4E, C4E1, E2G7, N1L, N1R, N1U, N2U, N3U, N3V S2G7, S3H2	

**E-6**

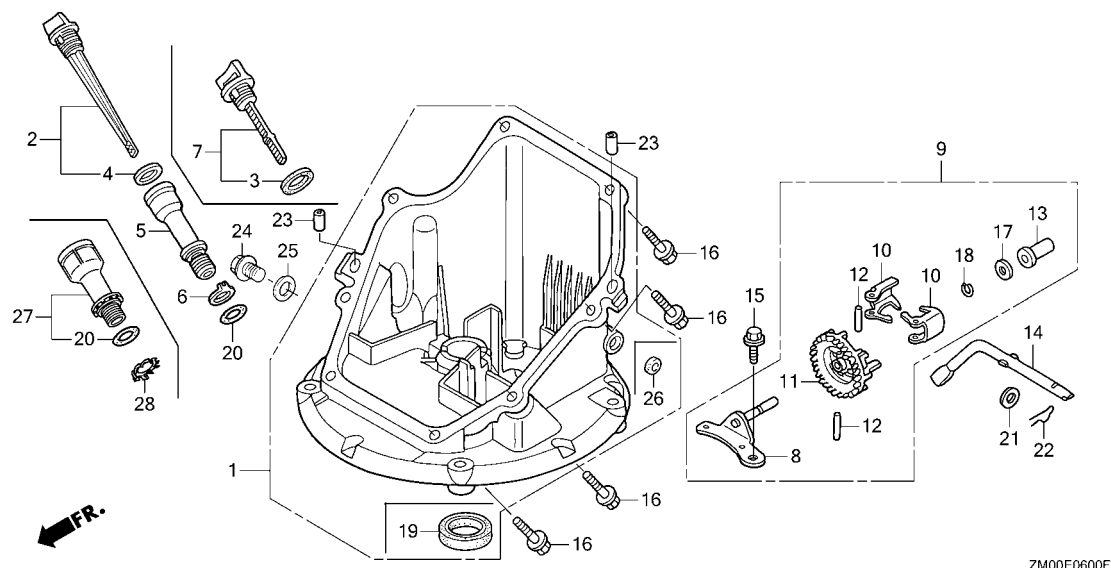
**OIL PAN**

Ref. No.	Part No.	Description	Reqd. QTY										Serial No.	Parts catalogue code		
			GCV 160	GCV 160 A	GCV 160 A0	GCV 160 E	GCV 160 LE	GCV 160 LA	GCV 160 LA0	GCV 160 LA1						
14)	16541-Z8B-000	SHAFT, GOVERNOR ARM.....	-	-	1	-	-	-	-	-	-	-	1253975	-----	A1G7, A3G7, A3HV, A3T9, A4G7, A7Q1, N2EE, N2KE, N5RE S3HB, S3TE, S4G7, S4HB, SBHE, SBTE	
			-	-	1	-	-	-	-	-	-	-	1271673	-----	A1AW, A1E7, A1M, A2E7, BHH1, C1E, C1E1, C2E, C2E1, C3E C3E1, C4E, C4E1, E2G7, N1L, N1R, N1U, N2U, N3U, N3V S2G7, S3H2	
	16541-ZM0-000	.....	-	-	-	-	-	-	-	1	-	-	1637244	-----	A1A, A1AF, A2R, BHH, E1A2, N1A, N1AF, N5AF, N5MF, N5R N5RB, N7A1, N7S1, R3A, S1A, S1M, S3A, S3H, S3T, SBT	
	16541-Z8B-000	.....	-	-	-	-	-	-	-	1	-	-	1637245	-----	A1A, A1AF, A2R, BHH, E1A2, N1A, N1AF, N5AF, N5MF, N5R N5RB, N7A1, N7S1, R3A, S1A, S1M, S3A, S3H, S3T, SBT	
			-	-	-	-	-	-	-	-	-	1				
15	90014-952-000	BOLT, FLANGE, 6X14(CT200)....	1	1	1	1	1	1	1	1	1	1				
16	90121-952-000	BOLT, FLANGE, 6X25(CT200)....	8	8	8	-	-	8	8	8	8	8				
			-	-	-	8	-	-	-	-	-	-	-----	-----	A1E7, A1E8, A1G7, A1W7, A2A9, A2E7, A2E8, A2E9, A2R N1D, N1E1, N1E2, N1E7, N1R, N1T8, N1W8, N1W9, N2E9 N3T9, N7A1, S2E	
	90026-Z1L-000	BOLT, FLANGE, 6X26.....	-	-	-	8	-	-	-	-	-	-	-----	-----	A3HV, A4EV, S4H4	
	90121-952-000	BOLT, FLANGE, 6X25(CT200)....	-	-	-	8	-	-	-	-	-	-	3399374	-----	A1G9, A1P, A2G4, A2G7, A2G9, A3E7, A3E9, A3G9, A3T9 A3W7, A3W8, A4G4, A4G7, A4G9, A7E1, A7Q1, N1J1, N1T9 N1W7, N2E7, N2E8, N2EE, N3T8, N3W8, N3W9, S1E1, S1G4 S2E1, S2E2, S2E3, S3E9, S3G9, S4E4, S4E9, S4G4, S4G9	
	90026-Z1L-000	BOLT, FLANGE, 6X26.....	-	-	-	8	-	-	-	-	-	-	3399375	-----	A1G9, A1P, A2G4, A2G7, A2G9, A3E7, A3E9, A3G9, A3T9 A3W7, A3W8, A4G4, A4G7, A4G9, A7E1, A7Q1, N1J1, N1T9 N1W7, N2E7, N2E8, N2EE, N3T8, N3W8, N3W9, S1E1, S1G4 S2E1, S2E2, S2E3, S3E9, S3G9, S4E4, S4E9, S4G4, S4G9	
	90121-952-000	BOLT, FLANGE, 6X25(CT200)....	-	-	-	-	8	-	-	-	-	-	-----	3336251	-----	
	90026-Z1L-000	BOLT, FLANGE, 6X26.....	-	-	-	-	8	-	-	-	-	-	3336252	-----		
17	90451-ZE1-000	WASHER, THRUST, 6MM.....	1	1	1	-	1	1	1	1	1	1				
			-	-	-	1	-	-	-	-	-	-	-----	-----	A1E7, A1E8, A1G7, A1W7, A2A9, A2E7, A2E8, A2E9, A2R N1D, N1E1, N1E2, N1E7, N1R, N1T8, N1W8, N1W9, N2E9 N3T9, N7A1, S2E	
			-	-	-	1	-	-	-	-	-	-	-----	3436613	-----	A1G9, A1P, A2G4, A2G7, A2G9, A3E7, A3E9, A3G9, A3T9 A3W7, A3W8, A4EV, A4G4, A4G7, A4G9, A7E1, A7Q1, N1J1 N1T9, N1W7, N2E7, N2E8, N2EE, N3T8, N3W8, N3W9, S1E1 S1G4, S2E1, S2E2, S2E3, S3E9, S3G9, S4E4, S4E9, S4G4 S4G9
	90451-Z1L-000	.....	-	-	-	1	-	-	-	-	-	-	3509661	-----	A3HV, S4H4	
			-	-	-	1	-	-	-	-	-	-	3436614	-----	A2G4, A2G7, A2G9, A3E7, A3W8, N1T9, N1W7, N2E8, S1E1 S2E1, S2E2, S2E3, S3E9, S3G9, S4E4, S4E9	
			-	-	-	1	-	-	-	-	-	-	3436614	3509661	A1G9, A1P, A3E9, A3G9, A3T9, A3W7, A4EV, A4G4, A4G7 A4G9, A7E1, A7Q1, N1J1, N2E7, N2EE, N3T8, N3W8, N3W9 S1G4, S4G4, S4G9	
	90451-ZE1-000	.....	-	-	-	1	-	-	-	-	-	-	3509662	-----	A1G9, A1P, A3E9, A3G9, A3HV, A3T9, A3W7, A4EV, A4G4 A4G7, A4G9, A7E1, A7Q1, N1J1, N2E7, N2EE, N3T8, N3W8 N3W9, S1G4, S4G4, S4G9, S4H4	
18	90602-ZE1-000	CLIP, GOVERNOR HOLDER.....	1	1	1	-	1	1	1	1	1	1				
			-	-	-	1	-	-	-	-	-	-	-----	-----	A1E7, A1E8, A1G7, A1W7, A2A9, A2E7, A2E8, A2E9, A2R N1D, N1E1, N1E2, N1E7, N1R, N1T8, N1W8, N1W9, N2E9 N3T9, N7A1, S2E	
			-	-	-	1	-	-	-	-	-	-	-----	3436613	-----	A1G9, A1P, A2G4, A2G7, A2G9, A3E7, A3E9, A3G9, A3T9 A3W7, A3W8, A4EV, A4G4, A4G7, A4G9, A7E1, A7Q1, N1J1 N1T9, N1W7, N2E7, N2E8, N2EE, N3T8, N3W8, N3W9, S1E1 S1G4, S2E1, S2E2, S2E3, S3E9, S3G9, S4E4, S4E9, S4G4 S4G9



# E-6

# OIL PAN



Ref. No.	Part No.	Description	Reqd. QTY								Serial No.	Parts catalogue code	
			GCV 160	GCV 160 A	GCV 160 A0	GCV 160 E	GCV 160 LE	GCV 160 LA	GCV 160 LA0	GCV 160 LA1			
18)	90602-Z1L-000	CLIP, GOVERNOR HOLDER .....	-	-	-	1	-	-	-	-	-	3509661	A3HV, S4H4
			-	-	-	1	-	-	-	-	-	3436614	A2G4, A2G7, A2G9, A3E7, A3W8, N1T9, N1W7, N2E8, S1E1 S2E1, S2E2, S2E3, S3E9, S3G9, S4E4, S4E9
			-	-	-	1	-	-	-	-	-	3436614	3509661 A1G9, A1P, A3E9, A3G9, A3T9, A3W7, A4EV, A4G4, A4G7 A4G9, A7E1, A7Q1, N1J1, N2E7, N2EE, N3T8, N3W8, N3W9 S1G4, S4G4, S4G9
	90602-ZE1-000	.....	-	-	-	1	-	-	-	-	-	3509662	A1G9, A1P, A3E9, A3G9, A3HV, A3T9, A3W7, A4EV, A4G4 A4G7, A4G9, A7E1, A7Q1, N1J1, N2E7, N2EE, N3T8, N3W8 N3W9, S1G4, S4G4, S4G9, S4H4
19	91202-ZL8-003	OIL SEAL, 28X41.25X6 .....	1	1	1	1	1	1	1	1	1	-	A1A, A1A/A, A1AE, A1AF, A1AS, A1AW, A1C, A1E, A1E7 A1E8, A1G7, A1G9, A1J, A1M, A1P, A1U, A1UV, A1W2, A1W7 A2A, A2A9, A2C, A2E, A2E4, A2E7, A2E8, A2E9, A2G4 A2G7, A2G9, A2U, A2UA, A3A, A3E, A3E7, A3E9, A3G7 A3G9, A3HV, A3T9, A3W7, A3W8, A4A9, A4E, A4EV, A4G4 A4G7, A4G9, A7E1, A7H1, A7H1/A, A7Q1, A7Q1/A, A7X1 BHH, BHH1, C1E, C1E1, C2E, C2E1, C3E, C3E1, C4E, C4E1 E1A2, E1G7, E2G7, EHHB, N1, N1D, N1E1, N1E2, N1E7 N1J1, N1R, N1T8, N1T9, N1U, N1U/A, N1W, N1W1, N1W2 N1W7, N1W8, N1W9, N2, N2D, N2E, N2E1, N2E2, N2E3, N2E7 N2E8, N2E9, N2EE, N2KE, N2U, N3T8, N3T9, N3U, N3V N3W8, N3W9, N7A1, N7S1, NBHT, NBL1, R1A, R3A, R3A1 R3L, R3LE, RTL1, S1A, S1A1, S1E1, S1G4, S1M, S2E, S2E1 S2E2, S2E3, S2G7, S3A, S3A2, S3AL, S3B, S3B/A, S3DB S3E9, S3G9, S3H, S3H2, S3HB, S3L, S3LB, S3LB/A, S3LE S3T, S3TE, S4BB, S4E4, S4E9, S4G4, S4G7, S4G9, S4GB S4H4, S4HB, S4LE, SBA, SBA/A, SBH, SBH/A, SBHE, SBL SBT, SBT/A, SBTE, STA1, STL1



**E-6**

**OIL PAN**

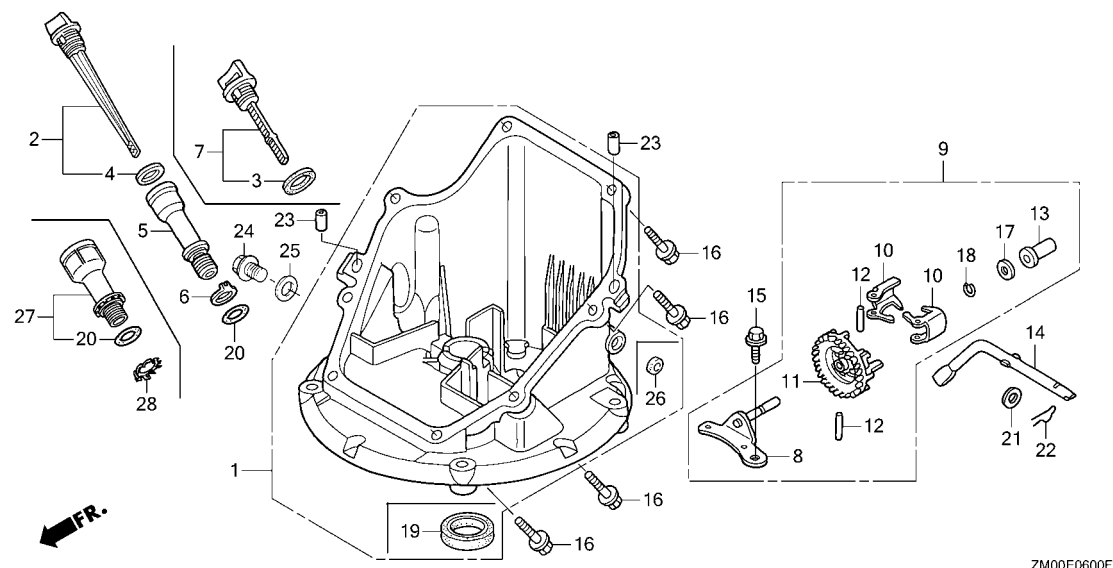
Ref. No.	Part No.	Description	Reqd. QTY									Serial No.	Parts catalogue code
			GCV 160	GCV 160 A	GCV 160 A0	GCV 160 E	GCV 160 LE	GCV 160 LA	GCV 160 LA0	GCV 160 LA1			
19)	91202-ZM0-V31	OIL SEAL, 28X41.25X6(NOK).....	1	1	1	1	-	1	1	1	-----	A2R, A2R/A, E1A4, E5A4, G5AF, G5AF/A, G5B, G5B/A, G5BR, G5BR/A, G5MF, G5MF/A, N1A, N1A/A, N1AF, N1C, N1L, N5A, N5AF, N5AF/A, N5B, N5B/A, N5BR, N5BR/A, N5C, N5MF, N5R, N5RB, N5RE	
20	91303-KF0-003	O-RING, 14.8X2.4(ARAI).....	1	1	1	-	-	1	1	1	-----	A1AE, A1E, A1E7, A1E8, A1G7, A1P, A1U, A1UV, A1W2, A1W7, A2E, A2E4, A2E7, A2E8, A2E9, A2G7, A2U, A2UA, A3E, A3G7, A3HV, A3T9, A4E, A4G4, A4G7, A7E1, A7H1, A7H1/A, A7Q1, A7Q1/A, A7X1, BHH, BHH1, C1E, C1E1, C2E, C2E1, C3E, C3E1, C4E, C4E1, E1A2, E1A4, E1G7, E2G7, E5A4, EHHB, N1E1, N1E2, N1E7, N1R, N1U, N1U/A, N1W, N1W1, N1W2, N1W7, N1W8, N1W9, N2E, N2E1, N2E2, N2E3, N2E7, N2E8, N2E9, N2EE, N2KE, N2U, N3T8, N3U, N3V, N7A1, N7S1, NBHT, NBL1, R3A, R3L, R3LE, RTL1, S1M, S2G7, S3A, S3AL, S3B, S3B/A, S3DB, S3H, S3H2, S3HB, S3L, S3LB, S3LB/A, S3LE, S3T, S3TE, S4BB, S4G7, S4GB, S4HB, S4LE, SBA, SBA/A, SBH, SBH/A, SBHE, SBL, SBT, SBT/A, SBTE, STA1, STL1	
	91303-Z0M-003	O-RING, 14.8X2.4.....	-	-	-	1	1	-	-	-	-----	A1E7, A1E8, A1G7, A1G9, A1P, A1W7, A2A9, A2E7, A2E8, A2E9, A2G4, A2G7, A2G9, A3E7, A3E9, A3G9, A3HV, A3T9, A3W7, A3W8, A4A9, A4EV, A4G4, A4G7, A4G9, A7E1, A7H1, A7Q1, N1E1, N1E2, N1E7, N1R, N1T8, N1T9, N1W7, N1W8, N1W9, N2E7, N2E8, N2E9, N2EE, N3T8, N3T9, N3W8, N3W9, N7A1, S1E1, S1G4, S2E, S2E1, S2E2, S2E3, S3E9, S3G9, S4E4, S4E9, S4G4, S4G9, S4H4	
21	94101-06800	WASHER, PLAIN, 6MM.....	1	1	1	1	1	1	1	1			
22	94251-08000	PIN, LOCK, 8MM.....	1	1	1	1	1	1	1	1			
23	94301-08200	DOWEL PIN, 8X20.....	2	2	-	2	2	2	-	-			
	90701-Z8B-000	.....	-	-	2	-	-	-	2	-	-----	A1G7, A1UV, A2UA, A3G7, A3HV, A3T9, A4G4, A4G7, A7H1, A7Q1, A7Q1/A, G5AF, G5B, G5BR, G5MF, N1U/A, N2EE, N2KE, N3T8, N5B, N5BR, NBHT, R3L, R3LE, S3AL, S3B, S3DB, S3HB, S3L, S3LB, S3LE, S4BB, S4G7, S4GB, S4HB, S4LE, SBA, SBH, SBHE, SBL, SBTE	
	94301-08200	.....	-	-	2	-	-	-	-	-	1451300	A1AW, A1E7, A1M, A2E7, BHH1, C1E, C1E1, C2E, C2E1, C3E, C3E1, C4E, C4E1, E2G7, N1L, N1R, N1U, N2U, N3U, N3V, N5RE, S2G7, S3H2, S3TE	
	90701-Z8B-000	.....	-	-	2	-	-	-	-	-	1451301	A1AW, A1E7, A1M, A2E7, BHH1, C1E, C1E1, C2E, C2E1, C3E, C3E1, C4E, C4E1, E2G7, N1L, N1R, N1U, N2U, N3U, N3V, N5RE, S2G7, S3H2, S3TE	
	94301-08200	.....	-	-	-	-	-	-	2	-	2743904	A1A, A1AF, A2R, BHH, E1A2, N1A, N1AF, N5AF, N5MF, N5R, N5RB, N7A1, N7S1, R3A, S1A, S1M, S3A, S3H, S3T, SBT	
	90701-Z8B-000	.....	-	-	-	-	-	-	2	-	2743905	A1A, A1AF, A2R, BHH, E1A2, N1A, N1AF, N5AF, N5MF, N5R, N5RB, N7A1, N7S1, R3A, S1A, S1M, S3A, S3H, S3T, SBT	
24	90131-883-000	BOLT, DRAIN PLUG, 12X15.....	-	1	1	-	-	1	1	1	-----	E1A4, E5A4, G5AF, G5AF/A, G5MF, G5MF/A, N1A, N1A/A, N1AF, N1C, N1L, N5A, N5AF, N5AF/A, N5C, N5MF	
25	94109-12000	WASHER, DRAIN PLUG, 12MM.....	-	1	1	-	-	1	1	1	-----	E1A4, E5A4, G5AF, G5AF/A, G5MF, G5MF/A, N1A, N1A/A, N1AF, N1C, N1L, N5A, N5AF, N5AF/A, N5C, N5MF	
26	91231-891-003	OIL SEAL, 6X11X4(ARAI).....	1	1	1	1	1	1	1	1	-----	A7E1, A7H1, A7H1/A, A7Q1, A7Q1/A, A7X1, N2EE, N2KE, N7A1, N7S1, NBHT	
27	15630-Z8D-000	EXTENSION COMP., OIL FILLER..	-	-	1	-	-	-	-	1	-----	A7H1, A7H1/A, A7Q1/A, A7X1, N1U/A, S3B, S3B/A, S3LB, S3LB/A, SBA, SBA/A, SBH, SBH/A, SBT, SBT/A	
	(FOR 15639-Z8D-000)		-	-	1	-	-	-	-	-	-----	A1UV, A2UA, NBHT, S3DB	
			-	-	1	-	-	-	-	-	3459593	A1G7, A3G7, A3HV, A3T9, A4G7, A7Q1, N1U, N2EE, N2KE, N2U, S3HB, S3TE, S4G7, S4HB, SBHE, SBTE	
			-	-	-	-	-	-	1	-	9581626	A7H1, S3B, S3LB, SBA, SBH, SBT	





# E-6

# OIL PAN



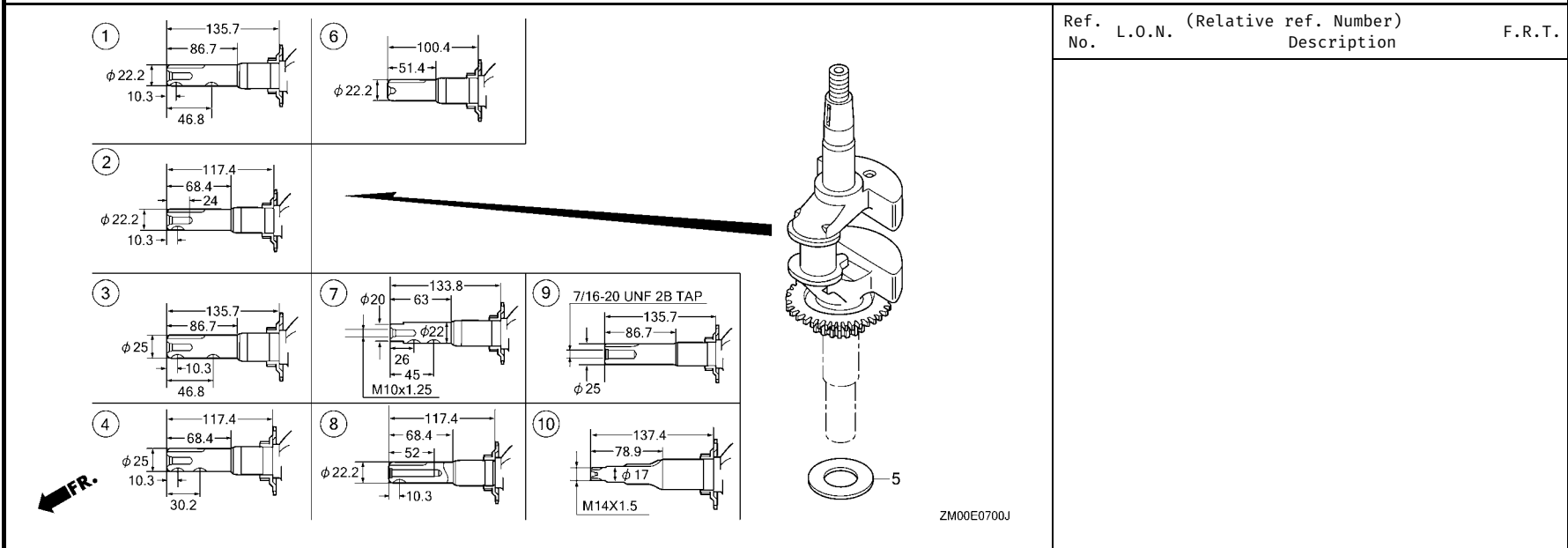
ZM00E0600F

Ref. No.	Part No.	Description	Reqd. QTY										Serial No.	Parts catalogue code
			GCV 160	GCV 160 A	GCV 160 A0	GCV 160 E	GCV 160 LE	GCV 160 LA	GCV 160 LA0	GCV 160 LA1				
28	15639-Z8D-000	WASHER, EXTENSION LOCK..... (FOR 15630-Z8D-000)	-	-	1	-	-	-	-	-	1	-----	A7H1, A7H1/A, A7Q1/A, A7X1, N1U/A, S3B, S3B/A, S3LB, S3LB/A, SBA, SBA/A, SBH, SBH/A, SBT, SBT/A	
			-	-	1	-	-	-	-	-	-	-----	A1UV, A2UA, NBHT, S3DB	
			-	-	1	-	-	-	-	-	-	3459593	A1G7, A3G7, A3HV, A3T9, A4G7, A7Q1, N1U, N2EE, N2KE, N2U, S3HB, S3TE, S4G7, S4HB, SBHE, SBTE	
			-	-	-	-	-	-	1	-	9581626	-----	A7H1, S3B, S3LB, SBA, SBH, SBT	

2

E-7

CRANKSHAFT(1)



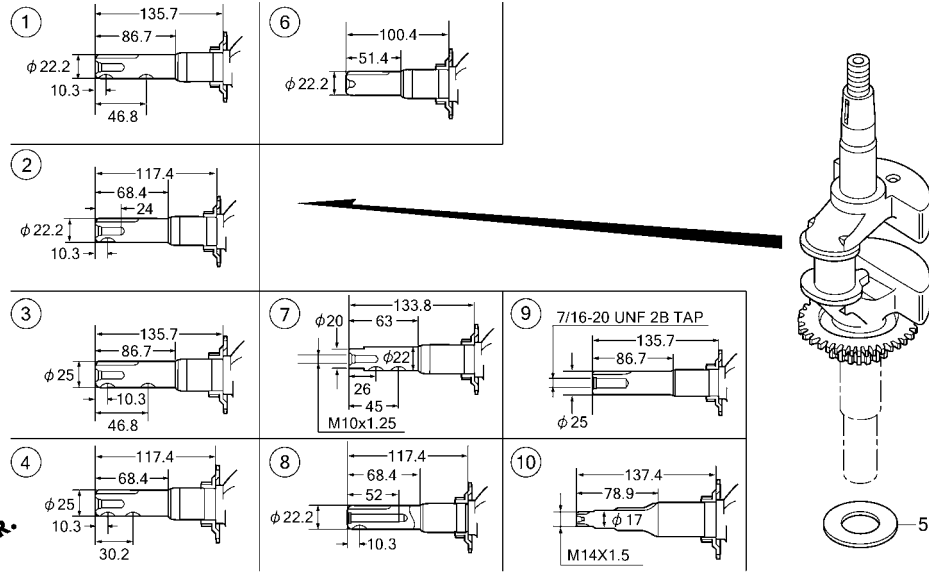
Ref. No. L.O.N. (Relative ref. Number) Description F.R.T.

Ref. No.	Part No.	Description	Reqd. QTY									Serial No.	Parts catalogue code		
			GCV 160	GCV 160 A	GCV 160 A0	GCV 160 E	GCV 160 LE	GCV 160 LA	GCV 160 LA0	GCV 160 LA1					
1	13310-ZM0-000	CRANKSHAFT COMP. ....	1	1	-	-	-	1	-	-	-	-	-	A1A, A1AE, A1AF, A1AS, A1AW, A1C, A1E, A1E7, A1E8, A1G7, A1J, A1M, A1P, A1U, A1W2, A1W7, C1E, C1E1, E1A2, E1A4, E1G7, N1, N1A, N1AF, N1C, N1D, N1E1, N1E2, N1E7, N1J1, N1L, N1R, N1U, N1W, N1W1, N1W2, N1W7, N1W8, N1W9, R1A, S1A, S1A1, S1M	
			-	-	1	-	-	-	-	-	-	-	-	A1AW, A1E7, A1M, C1E, C1E1, N1L, N1R, N1U	
			-	-	-	1	-	-	-	-	-	-	-	A1E7, A1E8, A1G7, A1G9, A1P, A1W7, N1D, N1E1, N1E2, N1E7, N1J1, N1R, N1T8, N1T9, N1W7, N1W8, N1W9, S1E1, S1G4	
			-	-	-	-	-	-	1	-	-	-	-	A1AF, E1A2, S1A, S1M	
2	13310-ZM0-600	CRANKSHAFT COMP. ....	1	1	-	-	1	1	-	-	-	-	3882821	A1A, N1A, N1AF	
			-	-	-	-	-	-	-	-	-	-	-	A2A, A2A9, A2C, A2E, A2E4, A2E7, A2E8, A2E9, A2G7, A2R, A2U, C2E, C2E1, E2G7, N2, N2D, N2E, N2E1, N2E2, N2E3, N2E7, N2E8, N2E9, N2U, S2G7	
			-	-	1	-	-	-	-	-	-	-	-	A2E7, C2E, C2E1, E2G7, S2G7	
			-	-	1	-	-	-	-	-	-	-	1892735	N2U	
			-	-	-	1	-	-	-	-	-	-	-	A2A9, A2E7, A2E8, A2E9, A2G4, A2G7, A2G9, A2R, N2E7, N2E8, N2E9, N2EE, S2E, S2E1, S2E2, S2E3	
3	13310-ZM0-610	CRANKSHAFT COMP. ....	1	1	-	-	-	1	-	-	-	-	3583781	A2R	
			-	-	-	-	-	-	-	-	-	-	-	A3A, A3E, C3E, C3E1, N3U, N3V, R3A, S3A, S3A2, S3H, S3H2	
	13310-Z8B-610	.....	-	-	1	-	-	-	-	-	-	-	-	C3E, C3E1, N3V	
			-	-	1	-	-	-	-	-	-	-	-	N3U	
	13310-ZM0-610	.....	-	-	-	1	-	-	-	-	-	-	-	1886100	S3H2, S3TE
			-	-	-	-	1	-	-	-	-	-	-	A3E7, A3E9, A3G9, A3HV, A3T9, A3W7, A3W8, N3T8, N3T9, N3W8, N3W9, S3E9, S3G9	
	13310-Z8B-610	.....	-	-	-	-	-	-	1	-	-	-	-	3540037	R3A, S3A, S3H, S3T
4	13310-ZM0-620	CRANKSHAFT COMP. ....	1	1	1	-	1	-	-	-	-	-	-	A4A9, A4E, A4G4, C4E, C4E1	
			-	-	-	1	-	-	-	-	-	-	-	A4EV, A4G4, A4G7, A4G9, S4E4, S4E9, S4G4, S4G9, S4H4	



E-7

CRANKSHAFT(1)

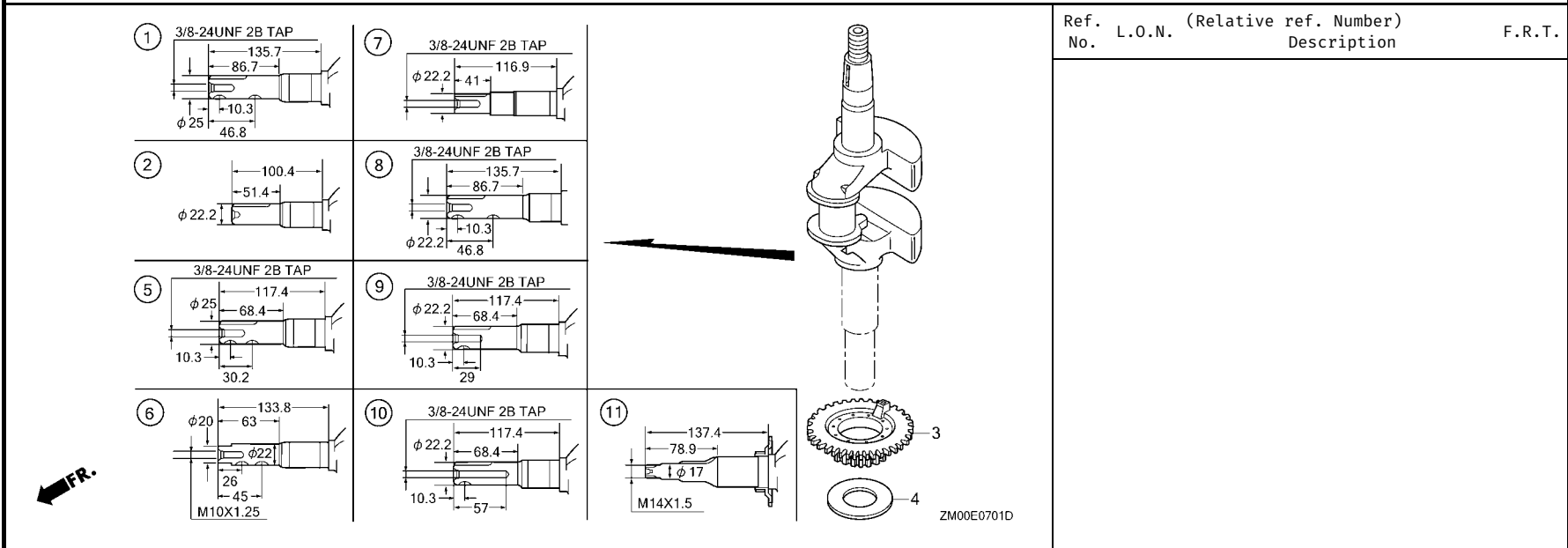


ZM00E0700J

Ref. No.	Part No.	Description	Reqd. QTY									Serial No.	Parts catalogue code		
			GCV 160	GCV 160 A	GCV 160 A0	GCV 160 E	GCV 160 LE	GCV 160 LA	GCV 160 LA0	GCV 160 LA1					
5	90402-ZL8-000	WASHER, THRUST .....	1	1	-	1	1	1	-	-	-	-	-	-	A1AW, A1E7, A1M, A2E7, BHH1, C1E, C1E1, C2E, C2E1, C3E, C3E1, C4E, C4E1, E2G7, N1L, N1R, N1U, N3U, N3V, N5RE, S2G7
			-	-	1	-	-	-	-	-	-	-	-	-	1886100 S3H2, S3TE
			-	-	1	-	-	-	-	-	-	-	-	-	1892735 N2U
			-	-	1	-	-	-	-	-	-	-	-	-	2068083 SBTE
			-	-	-	-	-	-	1	-	-	-	-	-	A1AF, BHH, E1A2, N7A1, S1A, S1M, SBT
			-	-	-	-	-	-	1	-	-	-	-	-	3540037 R3A, S3A, S3H, S3T
			-	-	-	-	-	-	1	-	-	-	-	-	3541630 N5AF, N5MF, N5R, N5RB
			-	-	-	-	-	-	1	-	-	-	-	-	3583781 A2R
			-	-	-	-	-	-	1	-	-	-	-	-	3688985 N7S1
			-	-	-	-	-	-	1	-	-	-	-	-	3882821 A1A, N1A, N1AF
6	13310-Z0L-650	CRANKSHAFT COMP. ....	-	1	1	-	-	1	-	-	-	-	-	-	E5A4, N5A, N5AF, N5C, N5MF, N5R, N5RE
			-	-	-	-	-	-	1	-	-	-	-	-	3541630 N5AF, N5MF, N5R, N5RB
7	13310-ZM0-640	CRANKSHAFT COMP. ....	-	1	1	-	-	1	1	-	-	-	-	-	BHH, BHH1, EHHB
8	13310-Z0L-780	CRANKSHAFT COMP. ....	1	1	-	1	1	1	-	-	-	-	-	-	A7E1, A7H1, A7Q1, N7A1, N7S1
			-	-	-	-	-	-	1	-	-	-	-	-	N7A1
			-	-	-	-	-	-	1	-	-	-	-	-	3688985 N7S1
9	13310-Z0L-V70	CRANKSHAFT COMP. ....	-	1	-	-	-	-	-	-	-	-	-	-	R3A1, RTL1, STA1, STL1
10	13310-Z0L-S20	CRANKSHAFT COMP. ....	-	1	-	-	-	-	1	-	-	-	-	-	NBL1, SBT
			-	-	1	-	-	-	-	-	-	-	-	-	2068083 SBTE

E-7-1

CRANKSHAFT(2)



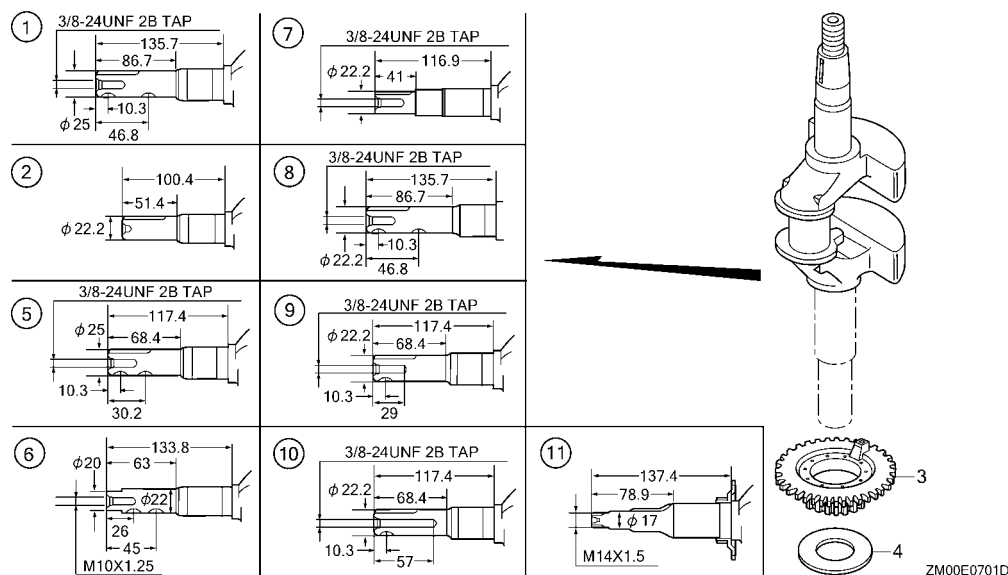
Ref. No. L.O.N. (Relative ref. Number) Description F.R.T.

Ref. No.	Part No.	Description	Reqd. QTY										Serial No.	Parts catalogue code
			GCV 160	GCV 160 A	GCV 160 A0	GCV 160 E	GCV 160 LE	GCV 160 LA	GCV 160 LA0	GCV 160 LA1				
1	13311-Z8B-900	CRANKSHAFT .....	-	-	1	-	-	-	1	1	-	-	-	A3G7, A3HV, A3T9, N3T8, R3L, R3LE, S3AL, S3B, S3B/A, S3DB, S3HB, S3L, S3LB, S3LB/A, S3LE
			-	-	1	-	-	-	-	-	1886101	-	S3H2, S3TE	
			-	-	-	-	-	-	1	-	3540038	-	R3A, S3A, S3H, S3T	
2	13311-Z8B-910	CRANKSHAFT .....	-	-	-	-	-	-	1	-	-	-	G5AF, G5B, G5BR, G5MF, N5B, N5BR	
			-	-	-	-	-	-	1	-	3541631	-	N5AF, N5MF, N5R, N5RB	
			-	-	-	-	-	-	-	1	-	-	G5AF, G5AF/A, G5B, G5B/A, G5BR, G5BR/A, G5MF, G5MF/A, N5AF, N5AF/A, N5B, N5B/A, N5BR, N5BR/A	
3	13621-Z8B-900	PULLEY, TIMING BELT DRIVE ....	-	-	1	-	-	-	1	-	-	-	A1G7, A1UV, A2UA, A3G7, A3HV, A3T9, A4G7, A7H1, A7Q1, A7Q1/A, G5AF, G5B, G5BR, G5MF, N1U/A, N2EE, N2KE, N3T8, N5B, N5BR, NBHT, R3L, R3LE, S3AL, S3B, S3DB, S3HB, S3L, S3LB, S3LE, S4BB, S4G7, S4GB, S4HB, S4LE, SBH, SBHE, SBL	
			-	-	1	-	-	-	-	-	1886101	-	S3H2, S3TE	
			-	-	1	-	-	-	-	-	1892736	-	N2U	
			-	-	1	-	-	-	-	-	2068084	-	SBTE	
			-	-	-	-	-	-	1	-	3540038	-	R3A, S3A, S3H, S3T	
			-	-	-	-	-	-	1	-	3541631	-	N5AF, N5MF, N5R, N5RB	
			-	-	-	-	-	-	1	-	3583782	-	A2R	
			-	-	-	-	-	-	1	-	3688986	-	N7S1	
			-	-	-	-	-	-	1	-	3882822	-	A1A, N1A, N1AF	
			-	-	-	-	-	-	-	1	-	-		
4	90402-Z0Y-000	WASHER, THRUST .....	-	-	1	-	-	-	-	-	-	-	A1UV, A2UA, A7Q1/A, N1U/A, NBHT, S3AL, S3DB	
	90402-ZL8-000	.....	-	-	1	-	-	-	-	-	3305502	-	A1G7, A3G7, A3HV, A3T9, A4G4, A4G7, A7Q1, N2EE, N2KE, N3T8, R3LE, S3HB, S3LE, S4BB, S4G7, S4GB, S4HB, S4LE, SBHE	
			-	-	1	-	-	-	-	-	1886101	3305502	S3H2, S3TE	
			-	-	1	-	-	-	-	-	1892736	3305502	N2U	
			-	-	1	-	-	-	-	-	2068084	3305502	SBTE	



E-7-1

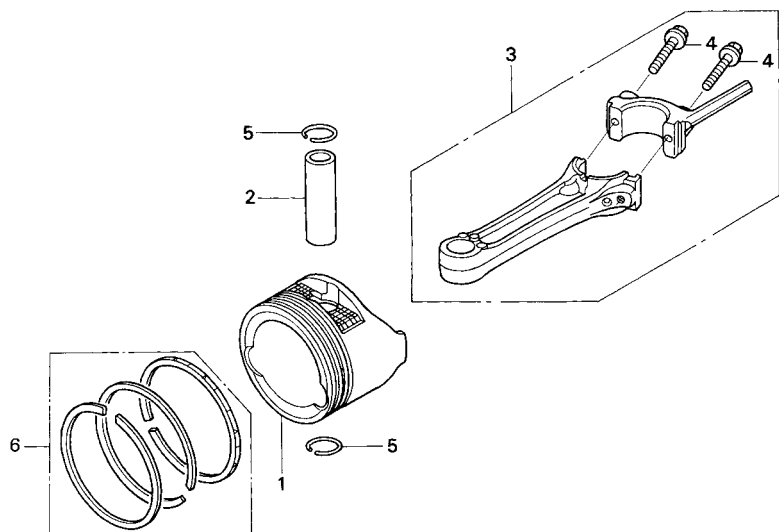
CRANKSHAFT(2)



Ref. No.	Part No.	Description	Reqd. QTY								Serial No.	Parts catalogue code
			GCV 160	GCV 160 A	GCV 160 A0	GCV 160 E	GCV 160 LE	GCV 160 LA	GCV 160 LA0	GCV 160 LA1		
(4)	90402-Z0Y-000	WASHER, THRUST	-	-	1	-	-	-	-	-	3305503	A1AW, A1G7, A3G7, A3HV, A3T9, A4G4, A4G7, A7Q1, N1U, N2EE, N2KE, N2U, N3T8, N5RE, R3LE, S3H2, S3HB, S3LE, S3TE, S4BB, S4G7, S4GB, S4HB, S4LE, SBHE, SBTE, G5AF, G5B, G5BR, G5MF
	90402-ZL8-000		-	-	-	-	-	-	-	1	7676314	A7H1, N5B, N5BR, R3L, S3B, S3DB, S3L, S3LB, SBA, SBH, SBL
			-	-	-	-	-	-	-	1	3540038	R3A, S3A, S3H, S3T
			-	-	-	-	-	-	-	1	3541631	N5AF, N5MF, N5R, N5RB
			-	-	-	-	-	-	-	1	3583782	A2R
			-	-	-	-	-	-	-	1	3688986	N7S1
	90402-Z0Y-000		-	-	-	-	-	-	-	1	3882822	A1A, N1A, N1AF
			-	-	-	-	-	-	-	1	7676315	A1A, A2R, A7H1, BHH, N1A, N1AF, N5AF, N5B, N5BR, N5MF, N5R, N5RB, N7S1, R3A, R3L, S3A, S3B, S3DB, S3H, S3L, S3LB, S3T, SBA, SBH, SBL, SBT
5	13311-Z8B-950	CRANKSHAFT	-	-	1	-	-	-	-	-	-	A4G7, S4BB, S4G7, S4GB, S4HB, S4LE
6	13311-Z8B-960	CRANKSHAFT	-	-	-	-	-	-	-	1	-	SBL
7	13311-Z8B-V90	CRANKSHAFT	-	-	1	-	-	-	-	1	-	SBA, SBA/A, SBH, SBH/A, SBHE
8	13311-Z8B-930	CRANKSHAFT	-	-	1	-	-	-	-	1	-	A1A, A1A/A, A1G7, A1UV, N1A, N1A/A, N1U/A
			-	-	-	-	-	-	-	1	3882822	A1A, N1A, N1AF
9	13311-Z8B-940	CRANKSHAFT	-	-	1	-	-	-	-	1	-	A2R, A2R/A, A2UA, N2EE, N2KE
			-	-	1	-	-	-	-	-	1892736	N2U
			-	-	-	-	-	-	-	1	3583782	A2R
10	13311-Z8B-970	CRANKSHAFT	-	-	1	-	-	-	-	1	1	A7H1, A7H1/A, A7Q1, A7Q1/A, A7X1
			-	-	-	-	-	-	-	1	3688986	N7S1
11	13311-Z8B-980	CRANKSHAFT	-	-	1	-	-	-	-	1	-	NBHT, SBT, SBT/A
			-	-	1	-	-	-	-	-	2068084	SBTE

# E-8

# PISTON/CONNECTING ROD



ZM00-E0800A

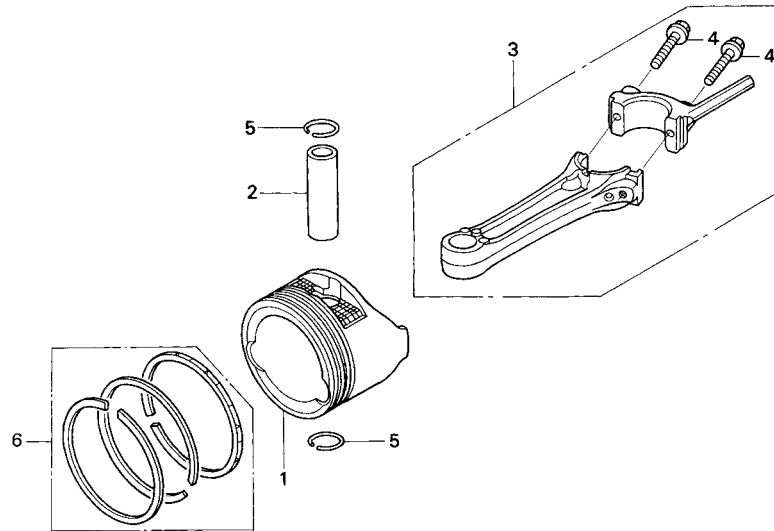
Ref. L.O.N. (Relative ref. Number) F.R.T.  
No. Description

Ref. No.	Part No.	Description	Reqd. QTY								Serial No.	Parts catalogue code	
			GCV 160	GCV 160 A	GCV 160 A0	GCV 160 E	GCV 160 LE	GCV 160 LA	GCV 160 LA0	GCV 160 LA1			
1	13101-ZL8-000	PISTON .....	1	-	-	-	-	-	-	-	-	-	-
	13101-Z2A-010	.....	-	1	-	-	-	-	-	-	-	-	-
	13101-Z2A-000	(STAMP Z2A) .....	-	1	-	-	-	-	-	-	-	-	-
	13101-ZL8-000	(STAMP ZL8) .....	-	1	-	-	-	-	-	-	-	-	-
	13101-Z2A-000	.....	-	1	-	-	-	-	-	-	-	-	-
	13101-ZL8-000	(STAMP ZL8) .....	-	1	-	-	-	-	-	-	-	-	-
	13101-Z2A-000	(STAMP Z2A) .....	-	1	-	-	-	-	-	-	-	-	-
	13101-Z2A-010	.....	-	1	-	-	-	-	-	-	-	-	-
			-	1	-	-	-	-	-	-	-	-	-



# E-8

# PISTON/CONNECTING ROD



ZM00-E0800A

Ref. No.	Part No.	Description	Reqd. QTY								Serial No.	Parts catalogue code
			GCV 160	GCV 160 A	GCV 160 A0	GCV 160 E	GCV 160 LE	GCV 160 LA	GCV 160 LA0	GCV 160 LA1		
(1)	13101-Z8A-900	PISTON .....	-	-	1	-	-	-	-	1	-----	A1A, A1A/A, A1UV, A2R, A2R/A, A2UA, A7H1, A7H1/A, A7Q1/A, A7X1, G5AF, G5AF/A, G5B, G5B/A, G5BR, G5BR/A, G5MF, G5MF/A, N1A, N1A/A, N1U/A, N5AF, N5AF/A, N5B, N5B/A, N5BR, N5BR/A, NBHT, S3B, S3B/A, S3DB, S3LB, S3LB/A, SBA, SBA/A, SBH, SBH/A, SBT, SBT/A
	13101-Z2A-010	.....	-	-	1	-	-	-	-	-	-----	A1M, A2E7, C1E, C1E1, C2E, C2E1, C3E, C3E1, C4E, C4E1, E2G7, N1R, N3V, S2G7
	13101-Z8B-820	.....	-	-	1	-	-	-	-	-	-----	A4G4, A7Q1, N3T8, R3LE, S3AL, S3LE, S4BB, S4GB, S4LE
	13101-Z2A-010	.....	-	-	1	-	-	-	-	-	-----	1634651 A1AW, A1E7, BHH1, N1L, N1U, N2U, N3U, N5RE, S3H2, S3TE, SBTE
	13101-Z8B-820	.....	-	-	1	-	-	-	-	-	-----	3606036 A1G7, A3G7, A3HV, A3T9, A4G7, N2EE, N2KE, S3HB, S4G7, S4HB, SBHE
			-	-	1	-	-	-	-	1634652	-----	A1AW, A1E7, BHH1, N1L, N1U, N3U, N5RE, S3H2
			-	-	1	-	-	-	-	1634652	-----	N2U, S3TE, SBTE
	13101-Z8A-900	.....	-	-	1	-	-	-	-	3606037	-----	A1G7, A3G7, A3HV, A3T9, A4G7, N2EE, N2KE, N2U, S3HB, S3TE, S4G7, S4HB, SBHE, SBTE
	13101-Z8B-820	.....	-	-	-	1	-	-	1	-	-----	A3HV, A7H1, G5AF, G5B, G5BR, G5MF, N5B, N5BR, R3L, S3B, S3DB, S3L, S3LB, SBA, SBH, SBL
	13101-Z2A-010	.....	-	-	-	1	-	-	-	-	-----	A3G9, A3T9, A4G4, A4G7, A4G9, A7Q1, N2EE, S1G4, S2E2, S2E3, S3E9, S3G9, S4E4, S4E9, S4G4, S4G9, S4H4
	13101-ZL8-000	.....	-	-	-	1	-	-	-	-	-----	2033972 A1E7, A1E8, A1G7, A1G9, A1P, A1W7, A2A9, A2E7, A2E8, A2E9, A2G4, A2G7, A2G9, A2R, A3E7, A3W7, A3W8, A7E1, N1D, N1E1, N1E2, N1E7, N1J1, N1R, N1T8, N1T9, N1W7, N1W8, N1W9, N2E7, N2E8, N2E9, N3T8, N3T9, N3W8, N3W9, N7A1, S1E1, S2E, S2E1
	13101-Z2A-000	.....	-	-	-	1	-	-	-	-	-----	2033978 A3E9
	13101-Z2A-010	.....	-	-	-	1	-	-	-	-	-----	3413204 A4EV

**E-8**

**PISTON/CONNECTING ROD**

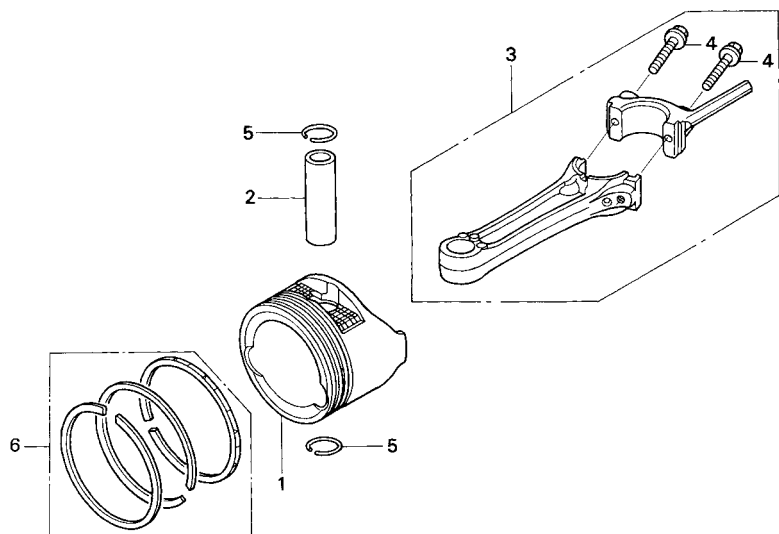
Ref. No.	Part No.	Description	Reqd. QTY									Serial No.	Parts catalogue code
			GCV 160	GCV 160 A	GCV 160 A0	GCV 160 E	GCV 160 LE	GCV 160 LA	GCV 160 LA0	GCV 160 LA1			
(1)	13101-Z2A-000	PISTON .....	-	-	-	1	-	-	-	-	2033973	2033978	A1E7, A1E8, A1G7, A1G9, A1P, A1W7, A2A9, A2E7, A2E8, A2E9, A2G4, A2G7, A2G9, A2R, A3E7, A3W7, A3W8, A7E1, N1D, N1E1, N1E2, N1E7, N1J1, N1R, N1T8, N1T9, N1W7, N1W8, N1W9, N2E7, N2E8, N2E9, N3T8, N3T9, N3W8, N3W9, N7A1, S1E1, S2E, S2E1
	13101-Z2A-010	.....	-	-	-	1	-	-	-	-	2033979	-----	A1E7, A1E8, A1G7, A1G9, A1P, A1W7, A2A9, A2E7, A2E8, A2E9, A2G4, A2G7, A2G9, A2R, A3E7, A3E9, A3W7, A3W8, A7E1, N1D, N1E1, N1E2, N1E7, N1J1, N1R, N1T8, N1T9, N1W7, N1W8, N1W9, N2E7, N2E8, N2E9, N3T8, N3T9, N3W8, N3W9, N7A1, S1E1, S2E, S2E1
	13101-Z8B-820	.....	-	-	-	1	-	-	-	-	3413205	-----	A4EV
	13101-Z2A-010	.....	-	-	-	-	1	-	-	-	3406723	-----	3406723
	13101-Z8B-820	.....	-	-	-	-	-	1	-	-	3406724	-----	3406724
	13101-Z2A-010	.....	-	-	-	-	-	-	1	-	-----	-----	A1AF, E1A2, N7A1, S1A, S1M
	13101-Z8B-820	.....	-	-	-	-	-	-	1	-	3151054	-----	A1A, A2R, BHH, N1A, N1AF, N5AF, N5MF, N5R, N5RB, N7S1, R3A, S3A, S3H, S3T, SBT
	13101-Z8B-820	.....	-	-	-	-	-	-	1	-	3151055	-----	A1A, A2R, BHH, N1A, N1AF, N5AF, N5MF, N5R, N5RB, N7S1, R3A, S3A, S3H, S3T, SBT
2	13111-ZE0-000	PIN, PISTON .....	1	1	-	-	-	1	-	-	-----	-----	A1G7, A1UV, A2UA, A3G7, A3HV, A3T9, A4G4, A4G7, A7H1, A7Q1, A7Q1/A, G5AF, G5B, G5BR, G5MF, N1U/A, N2EE, N2KE, N3T8, N5B, N5BR, NBHT, R3L, R3LE, S3AL, S3B, S3DB, S3HB, S3L, S3LB, S3LE, S4BB, S4G7, S4GB, S4HB, S4LE, SBA, SBH, SBHE, SBL
	13111-Z8B-000	.....	-	-	1	-	-	-	1	-	-----	-----	A1E7, A1M, A2E7, BHH1, C1E, C1E1, C2E, C2E1, C3E, C3E1, C4E, C4E1, E2G7, N1L, N1R, N3U, N3V, S2G7
	13111-ZE0-000	.....	-	-	1	-	-	-	-	-	3305502	-----	A1AW, N1U, N2U, N5RE, S3H2, S3TE, SBTE
	13111-Z8B-000	.....	-	-	1	-	-	-	-	-	3305503	-----	A1AW, N1U, N2U, N5RE, S3H2, S3TE, SBTE
	13111-ZE0-000	.....	-	-	-	1	-	-	-	-	-----	-----	A1E7, A1E8, A1G7, A1W7, A2A9, A2E7, A2E8, A2E9, A2R, N1D, N1E1, N1E2, N1E7, N1R, N1T8, N1W8, N1W9, N2E9, N3T9, N7A1, S2E
	13111-Z1L-000	.....	-	-	-	1	-	-	-	-	-----	-----	A3HV, A4EV, S4H4
	13111-ZE0-000	.....	-	-	-	1	-	-	-	-	3381417	-----	A1G9, A1P, A2G4, A2G7, A2G9, A3E7, A3E9, A3G9, A3T9, A3W7, A3W8, A4G4, A4G7, A4G9, A7E1, A7Q1, N1J1, N1T9, N1W7, N2E7, N2E8, N2EE, N3T8, N3W8, N3W9, S1E1, S1G4, S2E1, S2E2, S2E3, S3E9, S3G9, S4E4, S4E9, S4G4, S4G9
	13111-Z1L-000	.....	-	-	-	1	-	-	-	-	3381418	-----	A1G9, A1P, A2G4, A2G7, A2G9, A3E7, A3E9, A3G9, A3T9, A3W7, A3W8, A4G4, A4G7, A4G9, A7E1, A7Q1, N1J1, N1T9, N1W7, N2E7, N2E8, N2EE, N3T8, N3W8, N3W9, S1E1, S1G4, S2E1, S2E2, S2E3, S3E9, S3G9, S4E4, S4E9, S4G4, S4G9
	13111-ZE0-000	.....	-	-	-	-	1	-	-	-	-----	3406723	3406723
	13111-Z1L-000	.....	-	-	-	-	1	-	-	-	3406724	-----	3406724
	13111-ZE0-000	.....	-	-	-	-	-	-	1	-	-----	-----	A1AF, E1A2, N7A1, S1A, S1M
	13111-ZE0-000	.....	-	-	-	-	-	-	1	-	3634153	-----	A1A, A2R, BHH, N1A, N1AF, N5AF, N5MF, N5R, N5RB, N7S1, R3A, S3A, S3H, S3T, SBT
	13111-Z8B-000	.....	-	-	-	-	-	-	1	-	3634154	-----	A1A, A2R, BHH, N1A, N1AF, N5AF, N5MF, N5R, N5RB, N7S1, R3A, S3A, S3H, S3T, SBT
			-	-	-	-	-	-	-	1			





E-8

PISTON/CONNECTING ROD



ZM00-E0800A

Ref. No.	Part No.	Description	Reqd. QTY								Serial No.	Parts catalogue code
			GCV 160	GCV 160 A	GCV 160 A0	GCV 160 E	GCV 160 LE	GCV 160 LA	GCV 160 LA0	GCV 160 LA1		
3	13200-ZL8-000	ROD ASSY., CONNECTING .....	1	-	-	1	1	-	-	-	-	A1A, A1C, A1E, A1E7, A1E8, A1G7, A1G9, A1P, A1U, A1W2, A1W7, A2A, A2A9, A2C, A2E, A2E4, A2E7, A2E8, A2E9, A2G4, A2G7, A2G9, A2R, A2U, A3E, A3E7, A3E9, A3G9, A3HV, A3T9, A3W7, A3W8, A4A9, A4E, A4EV, A4G4, A4G7, A4G9, A7E1, A7H1, A7Q1, N1, N1D, N1E1, N1E2, N1E7, N1J1, N1R, N1T8, N1T9, N1U, N1W, N1W1, N1W2, N1W7, N1W8, N1W9, N2, N2D, N2E, N2E1, N2E2, N2E3, N2E7, N2E8, N2E9, N2EE, N2U, N3T8, N3T9, N3U, N3V, N3W8, N3W9, N7A1, S1E1, S1G4, S2E, S2E1, S2E2, S2E3, S3E9, S3G9, S4E4, S4E9, S4G4, S4G9, S4H4
	13200-ZL9-000	.....	1	-	-	-	-	-	-	-	-	A1J
	13200-Z0J-000	.....	-	1	-	-	-	-	-	-	-	A1AW, BHH1, C1E, C1E1, C2E, C2E1, C3E, C3E1, C4E, C4E1, N5MF, N5R, S1M, S2G7
	13200-ZL8-000	.....	-	1	-	-	-	-	-	-	3909848	A1A, A1AE, A1AF, A1AS, A1C, A1E, A1E7, A1E8, A1M, A1W7, A2A, A2C, A2E7, A2E8, A2E9, A2G7, A2R, A3A, A3E, A7E1, BHH, N1A, N1AF, N1C, N1E1, N1E7, N1L, N1R, N1U, N1W7, N1W8, N1W9, N2E7, N2E8, N2E9, N2U, N3U, N3V, N5A, N5AF, N5C, N7A1, N7S1, NBL1, RTL1, S1A, S1A1, S3A, S3A2, S3H, S3H2, STA1, STL1
		.....	-	1	-	-	-	-	-	-	8013995	E1A2, E1A4, E1G7, E2G7, E5A4, EHHB, R1A, R3A, R3A1

**E-8**

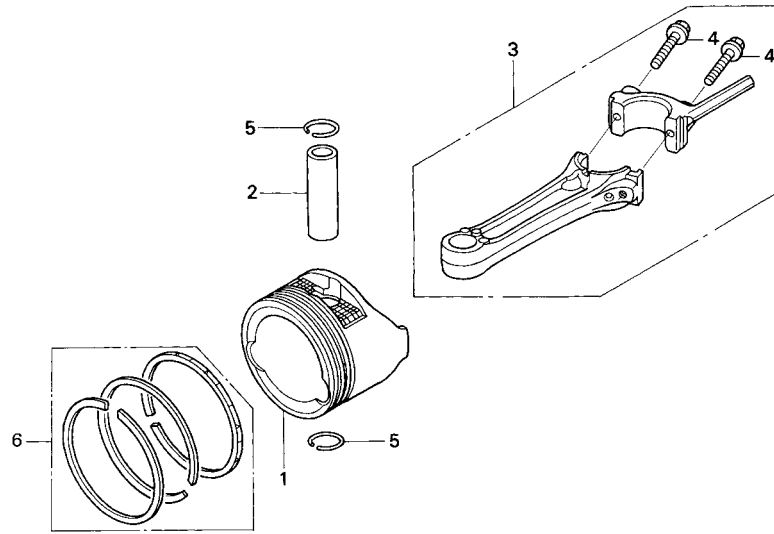
**PISTON/CONNECTING ROD**

Ref. No.	Part No.	Description	Reqd. QTY								Serial No.	Parts catalogue code
			GCV 160	GCV 160 A	GCV 160 A0	GCV 160 E	GCV 160 LE	GCV 160 LA	GCV 160 LA0	GCV 160 LA1		
(3)	13200-Z0J-000	ROD ASSY., CONNECTING .....	-	1	-	-	-	-	-	-	3909849	----- A1A, A1AE, A1AF, A1AS, A1C, A1E, A1E7, A1E8, A1M, A1W7, A2A, A2C, A2E7, A2E8, A2E9, A2G7, A2R, A3A, A3E, A7E1, BHH, N1A, N1AF, N1C, N1E1, N1E7, N1L, N1R, N1U, N1W7, N1W8, N1W9, N2E7, N2E8, N2E9, N2U, N3U, N3V, N5A, N5AF, N5C, N7A1, N7S1, NBL1, RTL1, S1A, S1A1, S3A, S3A2, S3H, S3H2, STA1, STL1
			-	1	-	-	-	-	-	-	8013996	----- E1A2, E1A4, E1G7, E2G7, E5A4, EHHB, R1A, R3A, R3A1, A1A, A1AF, A1AW, A1E7, A1G7, A1M, A1UV, A2E7, A2R, A2UA, A3G7, A3HV, A3T9, A4G4, A4G7, A7H1, A7Q1, BHH, BHH1, C1E, C1E1, C2E, C2E1, C3E, C3E1, C4E, C4E1, E1A2, E2G7, G5AF, G5B, G5BR, G5MF, N1A, N1AF, N1L, N1R, N1U, N2EE, N2KE, N2U, N3T8, N3U, N3V, N5AF, N5B, N5BR, N5MF, N5R, N5RB, N5RE, N7A1, N7S1, NBHT, R3A, R3L, R3LE, S1A, S1M, S2G7, S3A, S3AL, S3B, S3DB, S3H, S3H2, S3HB, S3L, S3LB, S3LE, S3T, S3TE, S4BB, S4G7, S4GB, S4HB, S4LE, SBA, SBH, SBHE, SBL, SBT, SBTE
	13200-ZDS-000	.....	-	-	1	-	-	-	-	1	-----	A1A/A, A2R/A, A7H1/A, A7Q1/A, A7X1, G5AF/A, G5B/A, G5BR/A, G5MF/A, N1A/A, N1U/A, N5AF/A, N5B/A, N5BR/A, S3B/A, S3LB/A, SBA/A, SBH/A, SBT/A
4	90001-ZE1-000	BOLT, CONNECTING ROD .....	2	2	-	-	2	2	-	-	-----	A1G7, A1UV, A2UA, A3G7, A3HV, A3T9, A4G4, A4G7, A7H1, A7Q1, G5AF, G5B, G5BR, G5MF, N2EE, N2KE, N3T8, N5B, N5BR, NBHT, R3L, R3LE, S3AL, S3B, S3DB, S3HB, S3L, S3LB, S3LE, S4BB, S4G7, S4GB, S4HB, S4LE, SBA, SBH, SBHE, SBL, SBTE
	90006-Z8B-000	.....	-	-	2	-	-	-	-	2	-----	A1A/A, A2R/A, A7H1/A, A7Q1/A, A7X1, G5AF/A, G5B/A, G5BR/A, G5MF/A, N1A/A, N1U/A, N5AF/A, N5B/A, N5BR/A, S3B/A, S3LB/A, SBA/A, SBH/A, SBT/A
	90001-Z1L-000	.....	-	-	2	-	-	-	-	2	-----	A1M, A2E7, C1E, C1E1, C2E, C2E1, C3E, C3E1, C4E, C4E1, E2G7, N1R, N3V, S2G7
	90001-ZE1-000	.....	-	-	2	-	-	-	-	-	-----	1917414 A1AW, A1E7, BHH1, N1L, N1U, N2U, N3U, N5RE, S3H2, S3TE
	90006-Z8B-000	.....	-	-	2	-	-	-	-	-	-----	1917415 A1AW, A1E7, BHH1, N1L, N1U, N2U, N3U, N5RE, S3H2, S3TE
	90001-ZE1-000	.....	-	-	-	2	-	-	-	-	-----	A1E7, A1E8, A1G7, A1G9, A1P, A1W7, A2A9, A2E7, A2E8, A2E9, A2G4, A2G7, A2G9, A2R, A3E7, A3E9, A3G9, A3T9, A3W7, A3W8, A4EV, A4G4, A4G7, A4G9, A7E1, A7Q1, N1D, N1E1, N1E2, N1E7, N1J1, N1R, N1T8, N1T9, N1W7, N1W8, N1W9, N2E7, N2E8, N2E9, N2EE, N3T8, N3T9, N3W8, N3W9, N7A1, S1E1, S1G4, S2E, S2E1, S2E2, S2E3, S3E9, S3G9, S4E4, S4E9, S4G4, S4G9
	90001-Z1L-000	.....	-	-	-	2	-	-	-	-	-----	A3HV, S4H4
	90001-ZE1-000	.....	-	-	-	-	-	-	2	-	-----	E1A2, N7A1, S1A, S1M
	90006-Z8B-000	.....	-	-	-	-	-	-	2	-	-----	3581918 A1A, A1AF, A2R, BHH, N1A, N1AF, N5AF, N5MF, N5R, N5RB, N7S1, R3A, S3A, S3H, S3T, SBT
			-	-	-	-	-	-	2	-	-----	3581919 A1A, A1AF, A2R, BHH, N1A, N1AF, N5AF, N5MF, N5R, N5RB, N7S1, R3A, S3A, S3H, S3T, SBT
			-	-	-	-	-	-	2	-	-----	A1A, A2R, A7H1, G5AF, G5B, G5BR, G5MF, N1A, N5AF, N5B, N5BR, S3B, S3LB, SBA, SBH, SBT
5	90551-ZE0-000	CLIP, PISTON PIN, 13MM .....	2	2	2	2	2	2	2	2	-----	
6	13010-ZL8-003	RING SET, PISTON(RIKEN) .....	1	-	-	-	-	-	-	-	-----	A1A, A1C, A1E, A1E7, A1E8, A1G7, A1P, A1W2, A1W7, A2A, A2C, A2E, A2E4, A2E7, A2E8, A2E9, A2G7, A2R, A3E, A7E1, N1, N1D, N1E1, N1E2, N1E7, N1J1, N1R, N1U, N1W, N1W1, N1W2, N1W7, N1W8, N1W9, N2, N2E, N2E1, N2E3, N2E7, N2E8, N2E9, N2U, N3U, N3V, N7A1
	13010-ZL8-024	RING SET, PISTON(TEIKOKU) .....	1	-	-	-	-	-	-	-	-----	A1J, A1U, A2U, A4E, N2D, N2E2
	13010-ZL8-004	.....	1	-	-	-	-	-	-	-	-----	C1E, C1E1, C2E, C2E1, C3E, C3E1, C4E, C4E1, S2E2, S2E3
	13010-Z0L-003	RING SET, PISTON(RIKEN) .....	-	1	-	1	-	-	-	-	-----	



E-8

PISTON/CONNECTING ROD



ZM00-E0800A

Ref. No.	Part No.	Description	Reqd. QTY									Serial No.	Parts catalogue code	
			GCV 160	GCV 160 A	GCV 160 A0	GCV 160 E	GCV 160 LE	GCV 160 LA	GCV 160 LA0	GCV 160 LA1				
(6)	13010-Z0L-014	RING SET, PISTON(STD.) (TEIKOKU)	-	1	-	-	-	-	-	-	-	-	-	A1AW, C1E, C1E1, C2E, C2E1, C3E, C3E1, C4E, C4E1
	13010-Z0L-003	RING SET, PISTON(RIKEN)..... (FOR Z2A)	-	1	-	-	-	-	-	-	-	-	5383514	A1A, A1AE, A1AF, A1AS, A1C, A1E, A1E7, A1E8, A1W7, A2A, A2C, A2E7, A2E8, A2E9, A2G7, A2R, A3A, A3E, A7E1, BHH, N1A, N1AF, N1C, N1E1, N1E7, N1R, N1U, N1W7, N1W8, N1W9, N2E7, N2E8, N2E9, N2U, N3U, N3V, N5A, N5AF, N5C, N7A1, NBL1, RTL1, S1A, S1A1, S3A, STA1, STL1
	13010-Z0L-004	RING SET, PISTON(STD.) (FOR Z2A) (TEIKOKU)	-	1	-	-	-	-	-	-	-	-	5383514	A1A, A1AE, A1AF, A1AS, A1C, A1E, A1E7, A1E8, A1W7, A2A, A2C, A2E7, A2E8, A2E9, A2G7, A2R, A3A, A3E, A7E1, BHH, N1A, N1AF, N1C, N1E1, N1E7, N1R, N1U, N1W7, N1W8, N1W9, N2E7, N2E8, N2E9, N2U, N3U, N3V, N5A, N5AF, N5C, N7A1, NBL1, RTL1, S1A, S1A1, S3A, STA1, STL1
	13010-ZL8-003	RING SET, PISTON(RIKEN)..... (FOR ZL8)	-	1	-	-	-	-	-	-	-	-	5383514	A1A, A1AE, A1AF, A1AS, A1C, A1E, A1E7, A1E8, A1W7, A2A, A2C, A2E7, A2E8, A2E9, A2G7, A2R, A3A, A3E, A7E1, BHH, N1A, N1AF, N1C, N1E1, N1E7, N1R, N1U, N1W7, N1W8, N1W9, N2E7, N2E8, N2E9, N2U, N3U, N3V, N5A, N5AF, N5C, N7A1, NBL1, RTL1, S1A, S1A1, S3A, STA1, STL1
	13010-ZL8-024	RING SET, PISTON(TEIKOKU).... (FOR ZL8)	-	1	-	-	-	-	-	-	-	-	5383514	A1A, A1AE, A1AF, A1AS, A1C, A1E, A1E7, A1E8, A1W7, A2A, A2C, A2E7, A2E8, A2E9, A2G7, A2R, A3A, A3E, A7E1, BHH, N1A, N1AF, N1C, N1E1, N1E7, N1R, N1U, N1W7, N1W8, N1W9, N2E7, N2E8, N2E9, N2U, N3U, N3V, N5A, N5AF, N5C, N7A1, NBL1, RTL1, S1A, S1A1, S3A, STA1, STL1
	13010-Z0L-003	RING SET, PISTON(RIKEN).....	-	1	-	-	-	-	-	-	-	-	5383514	A1M, BHH1, N1L, N5MF, N5R, N7S1, S1M, S2G7, S3A2, S3H, S3H2



**E-8**

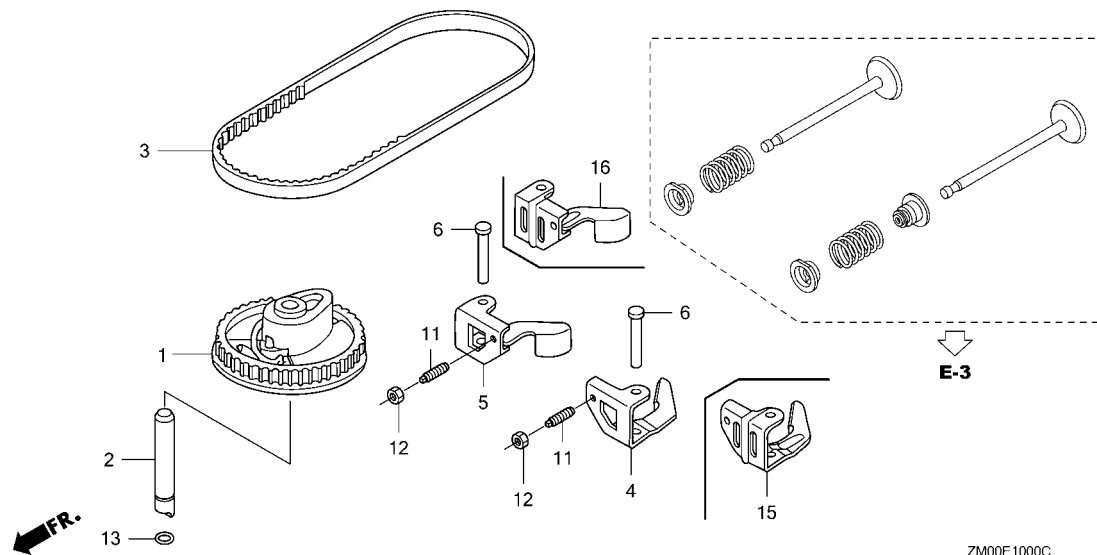
**PISTON/CONNECTING ROD**

Ref. No.	Part No.	Description	Reqd. QTY								Serial No.	Parts catalogue code	
			GCV 160	GCV 160 A	GCV 160 A0	GCV 160 E	GCV 160 LE	GCV 160 LA	GCV 160 LA0	GCV 160 LA1			
(6)	13010-Z0L-004	RING SET, PISTON(STD.) (TEIKOKU)	-	1	-	-	-	-	-	-	-	5383514	A1M, BHH1, N1L, N5MF, N5R, N7S1, S1M, S2G7, S3A2, S3H S3H2
	13010-Z0L-003	RING SET, PISTON(RIKEN)..... (FOR Z2A)	-	1	-	-	-	-	-	-	-	8024760	E1A2, E1A4, E1G7, E2G7, E5A4, EHBB, R1A, R3A, R3A1
	13010-Z0L-004	RING SET, PISTON(STD.) (TEIKOKU)	-	1	-	-	-	-	-	-	-	8024760	E1A2, E1A4, E1G7, E2G7, E5A4, EHBB, R1A, R3A, R3A1
	13010-ZL8-003	(FOR Z2A) RING SET, PISTON(RIKEN)..... (FOR ZL8)	-	1	-	-	-	-	-	-	-	8024760	E1A2, E1A4, E1G7, E2G7, E5A4, EHBB, R1A, R3A, R3A1
	13010-ZL8-024	RING SET, PISTON(TEIKOKU)..... (FOR ZL8)	-	1	-	-	-	-	-	-	-	8024760	E1A2, E1A4, E1G7, E2G7, E5A4, EHBB, R1A, R3A, R3A1
	13010-Z0L-014	RING SET, PISTON(STD.) (TEIKOKU)	-	1	-	-	-	-	-	-	-	5383515	A1A, A1AE, A1AF, A1AS, A1C, A1E, A1E7, A1E8, A1M, A1W7 A2A, A2C, A2E7, A2E8, A2E9, A2G7, A2R, A3A, A3E, A7E1 BHH, BHH1, N1A, N1AF, N1C, N1E1, N1E7, N1L, N1R, N1U N1W7, N1W8, N1W9, N2E7, N2E8, N2E9, N2U, N3U, N3V, N5A N5AF, N5C, N5MF, N5R, N7A1, N7S1, NBL1, RTL1, S1A S1A1, S1M, S2G7, S3A, S3A2, S3H, S3H2, STA1, STL1
			-	1	-	-	-	-	-	-	-	8024761	E1A2, E1A4, E1G7, E2G7, E5A4, EHBB, R1A, R3A, R3A1
			-	-	1	-	1	1	1	-	-		
			-	-	-	1	-	-	-	-	-		A3G9, A3HV, A3T9, A4EV, A4G4, A4G7, A4G9, A7Q1, N2EE S1G4, S2E2, S2E3, S3E9, S3G9, S4E4, S4E9, S4G4, S4G9 S4H4
	13010-ZL8-003	RING SET, PISTON(RIKEN).....	-	-	-	1	-	-	-	-	-	2033972	A1E7, A1E8, A1G7, A1G9, A1P, A1W7, A2A9, A2E7, A2E8 A2E9, A2G4, A2G7, A2G9, A2R, A3E7, A3W7, A3W8, A7E1 N1D, N1E1, N1E2, N1E7, N1J1, N1R, N1T8, N1T9, N1W7 N1W8, N1W9, N2E7, N2E8, N2E9, N3T8, N3T9, N3W8, N3W9 N7A1, S1E1, S2E, S2E1
	13010-ZL8-024	RING SET, PISTON(TEIKOKU).....	-	-	-	1	-	-	-	-	-	2033972	A1E7, A1E8, A1G7, A1G9, A1P, A1W7, A2A9, A2E7, A2E8 A2E9, A2G4, A2G7, A2G9, A2R, A3E7, A3W7, A3W8, A7E1 N1D, N1E1, N1E2, N1E7, N1J1, N1R, N1T8, N1T9, N1W7 N1W8, N1W9, N2E7, N2E8, N2E9, N3T8, N3T9, N3W8, N3W9 N7A1, S1E1, S2E, S2E1
	13010-Z0L-003	RING SET, PISTON(RIKEN).....	-	-	-	1	-	-	-	-	-	2033978	A3E9
	13010-Z0L-004	RING SET, PISTON(STD.) (TEIKOKU)	-	-	-	1	-	-	-	-	-	2033978	A3E9
	13010-Z0L-003	RING SET, PISTON(RIKEN).....	-	-	-	1	-	-	-	-	-	2033973	2033978 A1E7, A1E8, A1G7, A1G9, A1P, A1W7, A2A9, A2E7, A2E8 A2E9, A2G4, A2G7, A2G9, A2R, A3E7, A3W7, A3W8, A7E1 N1D, N1E1, N1E2, N1E7, N1J1, N1R, N1T8, N1T9, N1W7 N1W8, N1W9, N2E7, N2E8, N2E9, N3T8, N3T9, N3W8, N3W9 N7A1, S1E1, S2E, S2E1
	13010-Z0L-004	RING SET, PISTON(STD.) (TEIKOKU)	-	-	-	1	-	-	-	-	-	2033973	2033978 A1E7, A1E8, A1G7, A1G9, A1P, A1W7, A2A9, A2E7, A2E8 A2E9, A2G4, A2G7, A2G9, A2R, A3E7, A3W7, A3W8, A7E1 N1D, N1E1, N1E2, N1E7, N1J1, N1R, N1T8, N1T9, N1W7 N1W8, N1W9, N2E7, N2E8, N2E9, N3T8, N3T9, N3W8, N3W9 N7A1, S1E1, S2E, S2E1
	13010-Z0L-014	.....	-	-	-	1	-	-	-	-	-	2033979	----- A1E7, A1E8, A1G7, A1G9, A1P, A1W7, A2A9, A2E7, A2E8 A2E9, A2G4, A2G7, A2G9, A2R, A3E7, A3E9, A3W7, A3W8 A7E1, N1D, N1E1, N1E2, N1E7, N1J1, N1R, N1T8, N1T9 N1W7, N1W8, N1W9, N2E7, N2E8, N2E9, N3T8, N3T9, N3W8 N3W9, N7A1, S1E1, S2E, S2E1



**E-10**

**CAMSHAFT PULLEY**



Ref. L.O.N. (Relative ref. Number) F.R.T.  
No. Description

Ref. No.	Part No.	Description	Reqd. QTY							Serial No.	Parts catalogue code				
			GCV 160	GCV 160 A	GCV 160 A0	GCV 160 E	GCV 160 LE	GCV 160 LA	GCV 160 LA0			GCV 160 LA1			
1	14320-ZL8-010	PULLEY COMP., CAMSHAFT .....	1	-	-	-	1	-	-	-	-	-	-	-	A1E7, A1E8, A1G7, A2A9, A2E7, A2E8, A2E9, A4A9, A7E1 A7H1, N1E7, N1J1, N1R, N1W7, N2E7, N2E8, N2E9, N7A1 A1A, A1C, A1E, A1J, A1P, A1U, A1W2, A1W7, A2A, A2C, A2E A2E4, A2G7, A2R, A2U, A3E, A4E, N1, N1D, N1E1, N1E2 N1U, N1W, N1W1, N1W2, N1W8, N1W9, N2, N2D, N2E, N2E1 N2E2, N2E3, N2U, N3U, N3V
	14320-ZL8-000	.....	1	-	-	-	-	-	-	-	-	-	-	-	A1A, A1C, A2A, A2C, A2G7, A2R, N1A, N1C, N1U, N2U, N3V N5A, N5C
	14320-ZL8-010	.....	-	1	-	-	-	-	-	-	-	-	-	-	A1AE, A1AF, A1AS, A1AW, A1E, A1E7, A1E8, A1M, A1W7 A2E7, A2E8, A2E9, A3A, A3E, A7E1, BHH, BHH1, C1E, C1E1 C2E, C2E1, C3E, C3E1, C4E, C4E1, E1A2, E1A4, E1G7 E2G7, E5A4, EHHB, N1AF, N1E1, N1E7, N1L, N1R, N1W7 N1W8, N1W9, N2E7, N2E8, N2E9, N3U, N5AF, N5MF, N5R N7A1, N7S1, NBL1, R1A, R3A, R3A1, RTL1, S1A, S1A1, S1M S2G7, S3A, S3A2, S3H, S3H2, STA1, STL1
	14320-Z8D-000	.....	-	-	1	-	-	-	1	-	-	-	-	-	A1A, A1AF, A1E7, A1M, A2E7, A2R, BHH, BHH1, C1E, C1E1 C2E, C2E1, C3E, C3E1, C4E, C4E1, E1A2, E2G7, N1A, N1AF N1L, N1R, N3U, N3V, N5AF, N5MF, N5R, N7A1, N7S1, NBHT R3A, S1A, S1M, S2G7, S3A, S3H
	14320-ZL8-010	.....	-	-	1	-	-	-	-	-	-	-	-	-	A1G7, A1UV, A2UA, A3G7, A3HV, A3T9, A4G4, A4G7, A7H1 A7Q1, A7Q1/A, G5AF, G5B, G5BR, N1U/A, N2EE, N3T8, N5B N5BR, R3L, R3LE, S3AL, S3B, S3DB, S3HB, S3L, S3LB S3LE, S4BB, S4G7, S4GB, S4HB, S4LE, SBA, SBH, SBHE SBL
	14320-ZL8-010	.....	-	-	1	-	-	-	-	-	-	-	-	-	2018290 N2KE
	14320-Z8D-000	.....	-	-	1	-	-	-	-	-	-	-	-	-	2019418 A1AW, N1U, N2U, N5RE, S3H2, S3TE, SBTE
	14320-Z8D-000	.....	-	-	1	-	-	-	-	-	-	-	-	-	2018291 N2KE
	14320-Z8D-000	.....	-	-	1	-	-	-	-	-	-	-	-	-	2019419 A1AW, N1U, N2U, N5RE, S3H2, S3TE, SBTE

**E-10**

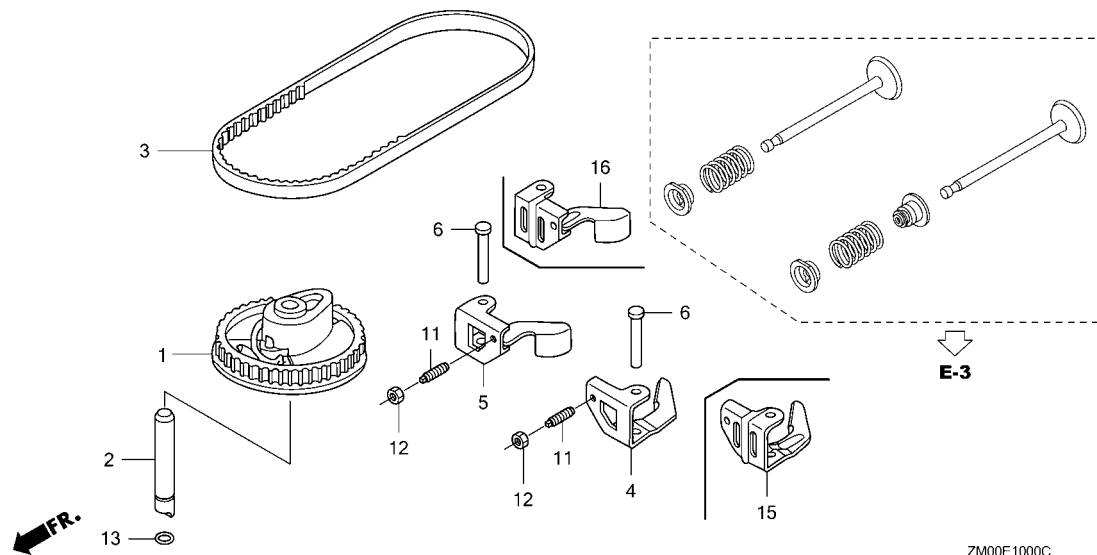
**CAMSHAFT PULLEY**

Ref. No.	Part No.	Description	Reqd. QTY										Serial No.	Parts catalogue code			
			GCV 160	GCV 160 A	GCV 160 A0	GCV 160 E	GCV 160 LE	GCV 160 LA	GCV 160 LA0	GCV 160 LA1							
(1)	14320-ZL8-010	PULLEY COMP., CAMSHAFT .....	-	-	-	1	-	-	-	-	1	-	-	-	-	-	-
			-	-	-	-	-	-	-	-	-	-	1	1	-	-	-
			-	-	-	-	-	-	-	-	-	-	1	-	-	-	-
	14320-Z8D-000	.....	-	-	-	-	-	-	-	-	-	1	-	3912667	-----	-	-
			-	-	-	-	-	-	-	-	-	-	1	-----	-	-	-
			-	-	-	-	-	-	-	-	-	-	-	-----	-	-	-
2	14324-ZL8-000	SHAFT, CAM PULLEY .....	1	1	-	1	1	-	-	-	-	-	-	-	-	-	-
	14324-Z8B-000	.....	-	-	1	-	-	-	-	-	-	1	-	-	-	-	-
			-	-	1	-	-	-	-	-	-	-	-	-	-	-	-
	14324-ZL8-000	.....	-	-	1	-	-	-	-	-	-	-	-	-	2033850	-----	-
			-	-	1	-	-	-	-	-	-	-	-	-	-----	-	-
	14324-Z8B-000	.....	-	-	1	-	-	-	-	-	-	-	-	2033851	-----	-	-
			-	-	1	-	-	-	-	-	-	-	-	-	-----	-	-
	14324-ZL8-000	.....	-	-	-	-	-	-	-	-	-	1	-	-	3996565	-----	-
			-	-	-	-	-	-	-	-	-	-	-	-	-----	-	-
	14324-Z8B-000	.....	-	-	-	-	-	-	-	-	-	1	-	3996566	-----	-	-
			-	-	-	-	-	-	-	-	-	-	-	-	-----	-	-
			-	-	-	-	-	-	-	-	-	-	-	-	-	-	1
3	14400-ZL8-003	BELT, TIMING(84HU7 G-200) .....	1	-	-	-	-	-	-	-	-	-	-	-	-	-	-
			-	-	-	-	-	-	-	-	-	-	-	-	-	-	-
	14400-ZL8-013	.....	1	-	-	-	-	-	-	-	-	-	-	-	-	-	-
			-	-	-	-	-	-	-	-	-	-	-	-	-	-	-
	14400-Z0J-004	.....	-	1	-	-	-	-	-	-	-	-	-	-	-	-	-
			-	1	-	-	-	-	-	-	-	-	-	-	-	-	-
	14400-Z0J-014	.....	-	1	-	-	-	-	-	-	-	-	-	-	-	-	-
			-	1	-	-	-	-	-	-	-	-	-	-	-	-	-
			-	-	-	-	-	-	-	-	-	-	-	-	-	-	-
	14400-Z8B-003	BELT, TIMING(84HU6 G-200) .....	-	-	1	-	-	-	-	-	-	1	-	-	-	-	-
			-	-	1	-	-	-	-	-	-	-	-	-	-	-	-
			-	-	1	-	-	-	-	-	-	-	-	-	-	-	-
	14400-Z0J-014	BELT, TIMING(84HU7 G-200) .....	-	-	1	-	-	-	-	-	-	-	-	-	1549803	-----	-
			-	-	1	-	-	-	-	-	-	-	-	-	-----	-	-
	14400-Z8B-003	BELT, TIMING(84HU6 G-200) .....	-	-	1	-	-	-	-	-	-	-	-	-	1549804	-----	-
			-	-	1	-	-	-	-	-	-	-	-	-	-----	-	-
	14400-ZL8-013	BELT, TIMING(84HU7 G-200) .....	-	-	-	1	-	-	-	-	-	-	-	-	-	-	-
			-	-	-	1	-	-	-	-	-	-	-	-	-	-	-



**E-10**

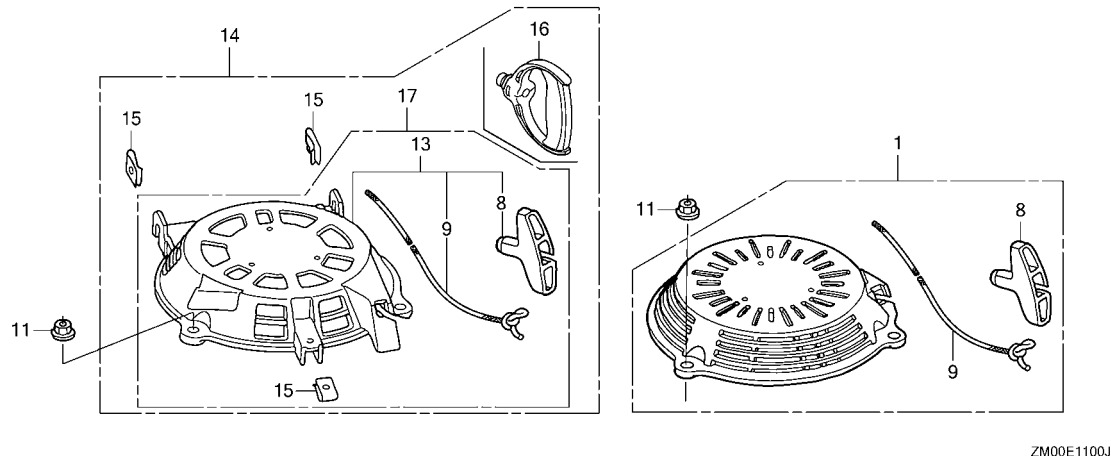
**CAMSHAFT PULLEY**



Ref. No.	Part No.	Description	Reqd. QTY								Serial No.	Parts catalogue code
			GCV 160	GCV 160 A	GCV 160 A0	GCV 160 E	GCV 160 LE	GCV 160 LA	GCV 160 LA0	GCV 160 LA1		
(3)	14400-Z1L-003	BELT, TIMING.....	-	-	-	1	-	-	-	-	-	A3HV, S4H4
	14400-ZL8-013	BELT, TIMING(84HU7 G-200)....	-	-	-	1	-	-	-	-	-	3430329 A1G9, A1P, A2G4, A2G7, A2G9, A3E7, A3E9, A3G9, A3T9, A3W7, A3W8, A4EV, A4G4, A4G7, A4G9, A7E1, A7Q1, N1J1, N1T9, N1W7, N2E7, N2E8, N2EE, N3T8, N3W8, N3W9, S1E1, S1G4, S2E1, S2E2, S2E3, S3E9, S3G9, S4E4, S4E9, S4G4, S4G9
	14400-Z1L-003	BELT, TIMING.....	-	-	-	1	-	-	-	-	-	3430330 A1G9, A1P, A2G4, A2G7, A2G9, A3E7, A3E9, A3G9, A3T9, A3W7, A3W8, A4EV, A4G4, A4G7, A4G9, A7E1, A7Q1, N1J1, N1T9, N1W7, N2E7, N2E8, N2EE, N3T8, N3W8, N3W9, S1E1, S1G4, S2E1, S2E2, S2E3, S3E9, S3G9, S4E4, S4E9, S4G4, S4G9
	14400-ZL8-013	BELT, TIMING(84HU7 G-200)....	-	-	-	-	1	-	-	-	-	3506290
	14400-Z1L-003	BELT, TIMING.....	-	-	-	-	1	-	-	-	-	3506291
	14400-Z0J-014	BELT, TIMING(84HU7 G-200)....	-	-	-	-	-	-	1	-	-	2889336 A1AF, E1A2, N7A1, S1A, S1M
	14400-Z8B-003	BELT, TIMING(84HU6 G-200)....	-	-	-	-	-	-	1	-	-	2889337 A1A, A2R, BHH, N1A, N1AF, N5AF, N5MF, N5R, N5RB, N7S1, R3A, S3A, S3H, S3T, SBT
			-	-	-	-	-	-	-	1	-	
4	14431-ZL8-000	ARM, IN. VALVE ROCKER.....	1	-	-	-	-	-	-	-	-	
5	14441-ZL8-000	ARM, EX. VALVE ROCKER.....	1	-	-	-	-	-	-	-	-	
6	14461-ZL8-000	SHAFT, ROCKER ARM.....	2	2	2	2	2	2	2	2	2	
11	90012-333-000	SCREW, TAPPET ADJUSTING.....	2	2	2	2	2	2	2	2	2	
12	90206-001-000	NUT, TAPPET ADJUSTING.....	2	2	2	2	2	2	2	2	2	
13	91301-ZM0-V31	O-RING, 6.8X1.9(ARAI).....	1	1	1	-	-	1	1	1	1	
	91301-Z0M-003	O-RING, 6.8X1.9.....	-	-	-	1	1	1	-	-	-	
15	14431-Z0J-000	ARM, IN. VALVE ROCKER.....	-	1	1	1	1	1	1	1	1	
16	14441-Z0J-000	ARM, EX. VALVE ROCKER.....	-	1	1	1	1	1	1	1	1	

**E-11**

**RECOIL STARTER**



Ref. No. L.O.N. (Relative ref. Number) Description F.R.T.

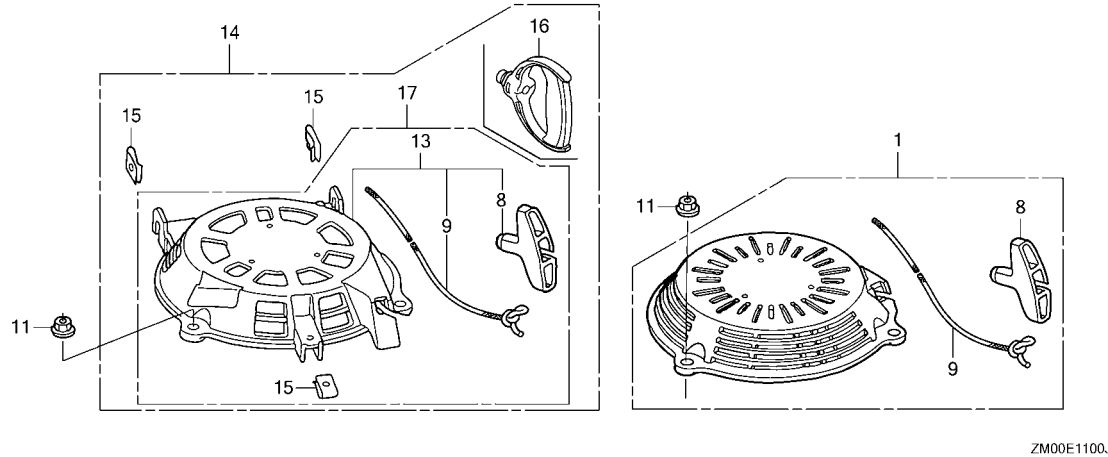
Ref. No.	Part No.	Description	Reqd. QTY								Serial No.	Parts catalogue code
			GCV 160	GCV 160 A	GCV 160 A0	GCV 160 E	GCV 160 LE	GCV 160 LA	GCV 160 LA0	GCV 160 LA1		
1	28400-ZM0-632ZA	STARTER ASSY., RECOIL (LONG ROPE)										
		*NH1*.....BLACK	1	-	-	-	-	-	-	-	-	A1E7, A1E8, A1G7, A2E4, A2E7, A2E8, A2E9, A2G7, N1W N1W7, N1W8, N1W9, N3U
	28400-ZM0-632ZC	*YR288R*.....CANOA ORANGE R	1	-	-	-	-	-	-	-	-	A1W2, A1W7, N1W1, N1W2, N1W8, N1W9
	28400-ZL8-013ZA	STARTER ASSY., RECOIL										
		*NH1*.....BLACK	1	-	-	-	-	-	-	-	-	A7E1, N3V, N7A1
	28400-ZM0-013ZA	*NH1*.....BLACK	1	-	-	-	-	-	-	-	-	N1E7, N1J1, N2E7, N2E8, N2E9
	28400-ZM0-632ZD	STARTER ASSY., RECOIL (LONG ROPE)										
		*R280*.....POWER RED	1	-	-	-	-	-	-	-	-	N3U
	28400-ZM0-631ZA	*NH1*.....BLACK	1	-	-	-	-	-	-	-	-	1297891 A1A, A1C, A1E, A1J, A1U, A2A, A2C, A2E, A2U, A3E, A4E N1, N2
	28400-ZM0-631ZB	*R8*.....BRIGHT RED	1	-	-	-	-	-	-	-	-	1297891 A1E, A1P, A2E
	28400-ZM0-003ZA	STARTER ASSY., RECOIL										
		*NH1*.....BLACK	1	-	-	-	-	-	-	-	-	1297891 N1D, N1E1, N1E2, N1U, N2D, N2E, N2E1, N2E2, N2E3, N2U
	28400-ZM0-003ZB	*R8*.....BRIGHT RED	1	-	-	-	-	-	-	-	-	1297891 N1E2, N1U, N2E, N2E3, N2U, N3V
	28400-ZM0-013ZA	*NH1*.....BLACK	1	-	-	-	-	-	-	-	-	2146956 A2R
	28400-ZM0-013ZB	*R8*.....BRIGHT RED	1	-	-	-	-	-	-	-	-	2424487 N2E7, N2E9
	28400-ZM0-632ZB	STARTER ASSY., RECOIL (LONG ROPE)										
		*R8*.....BRIGHT RED	1	-	-	-	-	-	-	-	-	2425099 A1E7, A1E8, A2E4, A2E7, A2E8, A2E9, A2G7, N1R
	28400-ZM0-632ZA	*NH1*.....BLACK	1	-	-	-	-	-	-	-	-	1297892 A1A, A1C, A1E, A1J, A1U, A2A, A2C, A2E, A2U, A3E, A4E N1, N2
	28400-ZM0-013ZA	STARTER ASSY., RECOIL										
		*NH1*.....BLACK	1	-	-	-	-	-	-	-	-	1297892 N1D, N1E1, N1E2, N1U, N2D, N2E, N2E1, N2E2, N2E3, N2U
	28400-ZM0-013ZB	*R8*.....BRIGHT RED	1	-	-	-	-	-	-	-	-	1297892 2424487 N1E2, N1U, N2E, N2E3, N2U, N3V





E-11

RECOIL STARTER



2

Ref. No.	Part No.	Description	Reqd. QTY							Serial No.	Parts catalogue code	
			GCV 160	GCV 160 A	GCV 160 A0	GCV 160 E	GCV 160 LE	GCV 160 LA	GCV 160 LA0			GCV 160 LA1
(1)	28400-ZM0-632ZB	STARTER ASSY., RECOIL (LONG ROPE)										
		*R8*.....BRIGHT RED	1	-	-	-	-	-	-	1297892	2425099	A1E,A1P,A2E
	28400-ZL8-013ZA	STARTER ASSY., RECOIL										
		*NH1*.....BLACK	1	-	-	-	-	-	-	2146957	-----	A2R
	28400-ZM0-013ZC	*R280*.....POWER RED	1	-	-	-	-	-	-	2424488	-----	N1E2,N1U,N2E,N2E3,N2E7,N2E9,N2U,N3V
	28400-ZM0-632ZD	STARTER ASSY., RECOIL (LONG ROPE)										
		*R280*.....POWER RED	1	-	-	-	-	-	-	2425100	-----	A1E,A1E7,A1E8,A1P,A2E,A2E4,A2E7,A2E8,A2E9 A2G7,N1R
	28400-ZM0-633ZD	*R280*.....POWER RED	-	1	1	-	-	1	1	-----	-----	A1E,A1E7,A1E8,A2E7,A2E8,A2E9,A2G7,A3E,C1E,C2E E1A2,E1G7,E2G7,EHNB,N1R,N3U,R1A,R3A
	28400-ZM0-633ZC	*YR288*.....CANOA ORANGE R	-	1	1	-	-	1	1	-----	-----	A1W7,C1E,C2E,E1G7,E2G7,N1W8,N1W9,R1A,R3A
	28400-Z0L-V20ZA	*NH1*.....BLACK	-	1	1	-	-	-	-	-----	-----	BHH1
	28400-ZM0-023ZC	STARTER ASSY., RECOIL										
		*R280*.....POWER RED	-	1	1	-	-	-	-	-----	-----	N1E1,N2E7,N2E9,N3V
	28400-ZL8-023ZA	*NH1*.....BLACK	-	1	-	-	1	-	-	-----	-----	A2R,A7E1,A7H1,E1A4,E5A4,N1A,N1AF,N1C,N1L,N5A N5AF,N5C,N5MF,N7A1,N7S1
	28400-ZM0-633ZA	STARTER ASSY., RECOIL (LONG ROPE)										
		*NH1*.....BLACK	-	1	-	-	-	-	-	-----	-----	A1A,A1AE,A1AF,A1AS,A1AW,A1C,A1E,A1E7,A1E8,A1M A2A,A2C,A2E7,A2E8,A2E9,A2G7,A3A,A3E,C1E,C2E C3E,C4E,E1A2,E1G7,E2G7,EHNB,N1R,N1W7,N3U,R1A R3A,S1A,S2G7,S3A2
	28400-Z0L-V20ZB	*R280*.....POWER RED	-	1	-	-	-	-	-	-----	-----	BHH1
	28400-ZL8-023ZC	STARTER ASSY., RECOIL										
		*R280*.....POWER RED	-	1	-	-	-	-	-	-----	-----	E1A4,E5A4,N5R
	28400-ZM0-023ZA	*NH1*.....BLACK	-	1	-	-	-	-	-	-----	-----	N1E1,N1E7,N1U,N2E7,N2E8,N2E9,N2U

# E-11

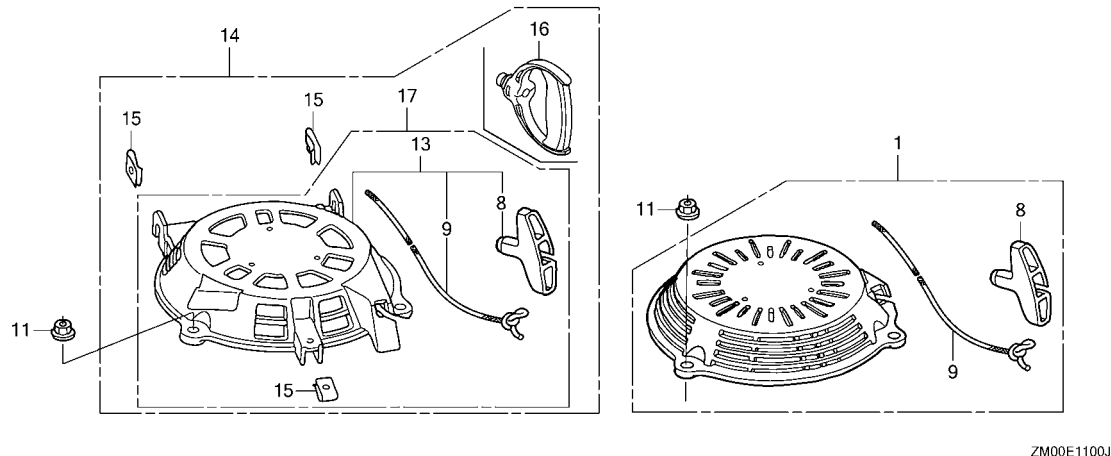
# RECOIL STARTER

Ref. No.	Part No.	Description	Reqd. QTY									Serial No.	Parts catalogue code
			GCV 160	GCV 160 A	GCV 160 A0	GCV 160 E	GCV 160 LE	GCV 160 LA	GCV 160 LA0	GCV 160 LA1			
(1)	28400-ZM0-633ZA	STARTER ASSY., RECOIL (LONG ROPE)											
		*NH1*.....BLACK	-	1	-	-	-	-	-	-	-	-----	3396966 BHH,S3A,S3H2
			-	1	-	-	-	-	-	-	-	-----	4271314 S1M,S3H
	28400-Z0L-V20ZA	*NH1*.....BLACK	-	1	-	-	-	-	-	-	-	-----	3396967 BHH,S3H2
			-	1	-	-	-	-	-	-	-	-----	3396967 4266565 S3A
	28400-Z0L-V20ZC	*T98*.....MTD RED	-	1	-	-	-	-	-	-	-	-----	4266566 S3A
	28400-ZM0-633ZE	*T98*.....MTD RED	-	1	-	-	-	-	-	-	-	-----	4271315 S1M,S3H
	28400-ZM0-633ZA	*NH1*.....BLACK	-	-	1	-	-	1	1	-	-	-----	A1A,A1AF,A1M,A2E7,C1E,C2E,C3E,C4E,E1A2,E2G7 N1R,R3A,S1A,S1M,S2G7,S3H
	28400-Z8B-901ZA	*NH1*.....BLACK	-	-	1	-	-	-	1	-	-	-----	A1G7,A1UV,A2UA,A3G7,A3HV,A3T9,A4G7,N2KE,N3T8 S3AL,S3B,S3HB,S4G7,S4GB,S4HB,SBA
	28400-Z8B-902ZA	*NH1*.....BLACK	-	-	1	-	-	-	-	1	-	-----	A1A,A1A/A,NBHT,S3B,S3B/A,SBA,SBA/A,SBT,SBT/A
	28400-Z8D-912ZB	STARTER ASSY., RECOIL (SHORT ROPE)											
		*NH1*.....BLACK	-	-	1	-	-	-	-	1	-	-----	A2R,A2R/A,A7H1,A7H1/A,A7Q1/A,A7X1,G5AF,G5AF/A G5B,G5B/A,G5BR,G5BR/A,G5MF,G5MF/A,N1A,N1A/A N1U/A,N5AF,N5AF/A,N5B,N5B/A,N5BR,N5BR/A
	28400-ZL8-023ZA	STARTER ASSY., RECOIL											
		*NH1*.....BLACK	-	-	1	-	-	-	-	-	-	-----	1651094 N1L,N5RE
	28400-ZM0-023ZA	*NH1*.....BLACK	-	-	1	-	-	-	-	-	-	-----	1651094 N1U,N2U
	28400-ZM0-633ZA	STARTER ASSY., RECOIL (LONG ROPE)											
		*NH1*.....BLACK	-	-	1	-	-	-	-	-	-	-----	1687181 A1AW,A1E7,N3U
	28400-Z0L-V20ZB	*R280*.....POWER RED	-	-	1	-	-	-	-	-	-	-----	1687181 BHH1
	28400-Z0L-V20ZA	*NH1*.....BLACK	-	-	1	-	-	-	-	-	-	-----	1687181 S3H2,S3TE
	28400-Z8D-911ZB	STARTER ASSY., RECOIL (SHORT ROPE)											
		*NH1*.....BLACK	-	-	1	-	-	-	-	-	-	-----	3350432 A7Q1,N2EE
	28400-Z8A-003ZC	*NH1*.....BLACK	-	-	1	-	-	-	-	-	-	-----	1651095 N1L
			-	-	1	-	-	-	-	-	-	-----	1651095 1892465 N1U,N2U,N5RE
	28400-Z8B-003ZD	STARTER ASSY., RECOIL (LONG ROPE)											
		*R280*.....POWER RED	-	-	1	-	-	-	-	-	-	-----	1687182 A1E7,BHH1,N3U
	28400-Z8B-003ZE	*NH1*.....BLACK	-	-	1	-	-	-	-	-	-	-----	1687182 A1E7,BHH1,N3U,S3H2
			-	-	1	-	-	-	-	-	-	-----	1687182 2014236 A1AW,S3TE,SBTE
	28400-Z8D-911ZB	STARTER ASSY., RECOIL (SHORT ROPE)											
		*NH1*.....BLACK	-	-	1	-	-	-	-	-	-	-----	1892466 3350432 N1U,N2U,N5RE
	28400-Z8B-901ZA	STARTER ASSY., RECOIL (LONG ROPE)											
		*NH1*.....BLACK	-	-	1	-	-	-	-	-	-	-----	2014237 A1AW,S3TE,SBTE
	28400-Z8D-912ZB	STARTER ASSY., RECOIL (SHORT ROPE)											
		*NH1*.....BLACK	-	-	1	-	-	-	-	-	-	-----	3350433 A7Q1,N1U,N2EE,N2U,N5RE
	28400-ZL8-023ZA	STARTER ASSY., RECOIL											
		*NH1*.....BLACK	-	-	-	1	-	1	-	-	-	-----	A2R,N1A,N1AF,N5AF,N5MF,N5R,N7A1,N7S1
	28400-ZM0-633ZA	STARTER ASSY., RECOIL (LONG ROPE)											
		*NH1*.....BLACK	-	-	-	1	-	-	-	-	-	-----	A1E7,A1E8,A1G7,A1W7,A2E7,A2E8,A2E9,N1R,N1T8 N1W8,N1W9,N3T9,S2E
	28400-ZM0-633ZD	*R280*.....POWER RED	-	-	-	1	-	-	-	-	-	-----	A1E7,A1E8,A1P,A2E7,A2E8,A2E9,A2G7,N1R,N1W7
	28400-ZM0-633ZC	*YR288R*.....CANOA ORANGE R	-	-	-	1	-	-	-	-	-	-----	A1W7,A3W8,N1W7,N1W8,N1W9,N3W8,N3W9
	28400-ZL8-023ZC	STARTER ASSY., RECOIL											
		*R280*.....POWER RED	-	-	-	1	-	-	-	-	-	-----	A2R
	28400-Z8B-003ZE	STARTER ASSY., RECOIL (LONG ROPE)											
		*NH1*.....BLACK	-	-	-	1	-	-	-	-	-	-----	A3HV



E-11

RECOIL STARTER



ZM00E1100J

Ref. No.	Part No.	Description	Reqd. QTY									Serial No.	Parts catalogue code
			GCV 160	GCV 160 A	GCV 160 A0	GCV 160 E	GCV 160 LE	GCV 160 LA	GCV 160 LA0	GCV 160 LA1			
(1)	28400-ZM0-023ZC	STARTER ASSY., RECOIL	-	-	-	-	-	-	-	-	-		
		*R280*.....POWER RED	-	-	-	1	-	-	-	-	-	-----	N1D, N1E1, N1E2, N1E7, N1J1, N2E7, N2E8, N2E9
	28400-ZM0-023ZA	*NH1*.....BLACK	-	-	-	1	-	-	-	-	-	-----	N1D, N1E1, N1E2, N1E7, N2E9
	28400-ZM0-632ZB	STARTER ASSY., RECOIL (LONG ROPE)	-	-	-	-	-	-	-	-	-		
		*R8*.....BRIGHT RED	-	-	-	1	-	-	-	-	-	-----	S2E
	28400-ZM0-633ZA	*NH1*.....BLACK	-	-	-	1	-	-	-	-	-	-----	3429239 A1P, A2G7, A3E7, A3T9, A3W8, A4EV, A4G7, N1T9, N1W7 N3T8, N3W8, N3W9
	28400-ZM0-633ZC	*YR288*.....CANOA ORANGE R	-	-	-	1	-	-	-	-	-	-----	3429239 A3W7
	28400-ZL8-023ZA	STARTER ASSY., RECOIL	-	-	-	-	-	-	-	-	-		
		*NH1*.....BLACK	-	-	-	1	-	-	-	-	-	-----	3429617 A7E1, A7Q1
	28400-ZM0-023ZA	*NH1*.....BLACK	-	-	-	1	-	-	-	-	-	-----	3429617 N1J1, N2E7, N2E8, N2EE
	28400-Z8B-003ZD	STARTER ASSY., RECOIL (LONG ROPE)	-	-	-	-	-	-	-	-	-		
		*R280*.....POWER RED	-	-	-	1	-	-	-	-	-	3429240	----- A1P
	28400-Z8B-003ZE	*NH1*.....BLACK	-	-	-	1	-	-	-	-	-	3429240	----- A1P, A3T9, A4EV, A4G7, N3T8, N3W8, N3W9
	28400-Z8B-003ZB	*YR288*.....CANOA ORANGE R	-	-	-	1	-	-	-	-	-	3429240	----- A3W7, N3W8, N3W9
	28400-Z8A-003ZC	STARTER ASSY., RECOIL (SHORT ROPE)	-	-	-	-	-	-	-	-	-		
		*NH1*.....BLACK	-	-	-	1	-	-	-	-	-	3429618	----- A7E1, A7Q1, N1J1, N2E7, N2EE
	28400-Z8A-003ZB	*R280*.....POWER RED	-	-	-	1	-	-	-	-	-	3429618	----- N1J1, N2E7
	28400-ZM0-633ZA	STARTER ASSY., RECOIL (LONG ROPE)	-	-	-	-	1	-	-	-	-		
		*NH1*.....BLACK	-	-	-	-	1	-	-	-	-	-----	A2A9, A4A9
	28400-Z0L-V20ZA	*NH1*.....BLACK	-	-	-	-	-	1	-	-	-	-----	BHH, S3A
	28400-ZL8-023ZC	STARTER ASSY., RECOIL	-	-	-	-	-	1	-	-	-		
		*R280*.....POWER RED	-	-	-	-	-	1	-	-	-	-----	N5R

**E-11**

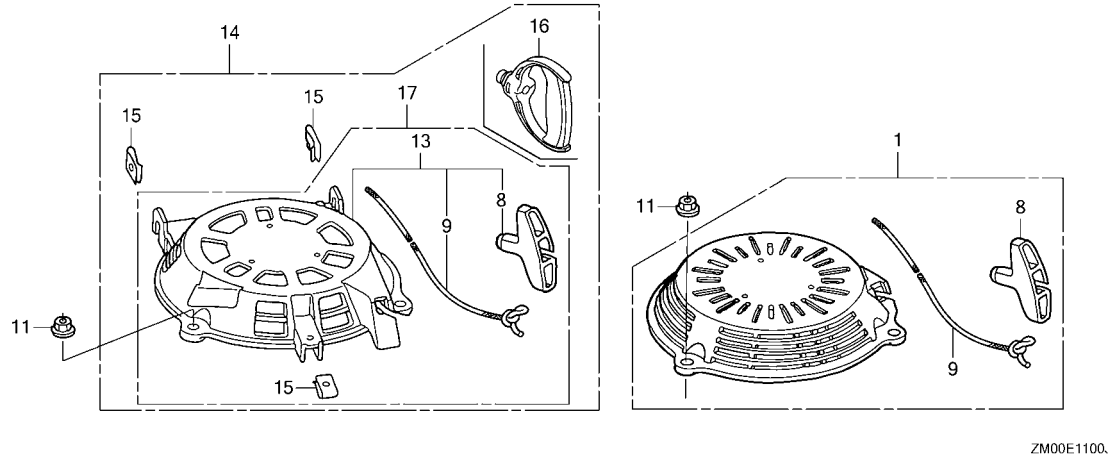
**RECOIL STARTER**

Ref. No.	Part No.	Description	Reqd. QTY										Serial No.	Parts catalogue code	
			GCV 160	GCV 160 A	GCV 160 A0	GCV 160 E	GCV 160 LE	GCV 160 LA	GCV 160 LA0	GCV 160 LA1					
(1)	28400-Z0L-V20ZC	STARTER ASSY., RECOIL (LONG ROPE)													
		*T98*.....MTD RED	-	-	-	-	-	-	1	-	-	-	-	----- S3A	
	28400-ZM0-633ZE	*T98*.....MTD RED	-	-	-	-	-	-	1	-	-	-	----- S3H		
	28400-ZL8-023ZA	STARTER ASSY., RECOIL (LONG ROPE)													
		*NH1*.....BLACK	-	-	-	-	-	-	1	-	-	-	----- N7A1		
	28400-ZL8-023ZC	*R280*.....POWER RED	-	-	-	-	-	-	1	-	-	-	3150136 A2R,N1A,N1AF,N5AF,N5MF,N7S1		
	28400-Z0L-V20ZA	STARTER ASSY., RECOIL (LONG ROPE)													
		*NH1*.....BLACK	-	-	-	-	-	-	1	-	-	-	3150568 BHH,S3A,S3T,SBT		
	28400-Z8D-911ZB	STARTER ASSY., RECOIL (SHORT ROPE)													
		*NH1*.....BLACK	-	-	-	-	-	-	1	-	-	-	7992712 A7H1,G5AF,G5B,G5BR,G5MF,N5B,N5BR		
	28400-Z8D-911ZA	*R280*.....POWER RED	-	-	-	-	-	-	1	-	-	-	7992712 G5AF,G5B,G5BR,N5B		
	28400-Z8A-003ZC	*NH1*.....BLACK	-	-	-	-	-	-	1	-	-	3150137	3541630 A2R,N1A,N1AF,N5AF,N5MF,N7S1		
	28400-Z8A-003ZB	*R280*.....POWER RED	-	-	-	-	-	-	1	-	-	3150137	3541630 N5R,N5RB		
	28400-Z8B-003ZE	STARTER ASSY., RECOIL (LONG ROPE)													
		*NH1*.....BLACK	-	-	-	-	-	-	1	-	-	3150569	4013148 A1A,BHH,R3A,S3A,S3H,S3T,SBT		
	28400-Z8B-003ZB	*YR288R*.....CANOA ORANGE R	-	-	-	-	-	-	1	-	-	3150569	4013148 R3A		
	28400-Z8B-003ZD	*R280*.....POWER RED	-	-	-	-	-	-	1	-	-	3150569	4013148 R3A		
	28400-Z8D-911ZA	STARTER ASSY., RECOIL (SHORT ROPE)													
		*R280*.....POWER RED	-	-	-	-	-	-	1	-	-	3541631	----- N5R		
	28400-Z8D-911ZB	*NH1*.....BLACK	-	-	-	-	-	-	1	-	-	3541631	----- N7S1		
		*R280*.....POWER RED	-	-	-	-	-	-	1	-	-	3541631	7992712 A2R,N1A,N1AF,N5AF,N5MF		
	28400-Z8D-911ZA	*R280*.....POWER RED	-	-	-	-	-	-	1	-	-	3541631	7992712 N5RB		
	28400-Z8B-901ZA	STARTER ASSY., RECOIL (LONG ROPE)													
		*NH1*.....BLACK	-	-	-	-	-	-	1	-	-	4013149	----- A1A,BHH,R3A,S3A,S3H,S3T,SBT		
	28400-Z8B-901ZB	*R280*.....POWER RED	-	-	-	-	-	-	1	-	-	4013149	----- R3A		
	28400-Z8B-901ZC	*YR288R*.....CANOA ORANGE R	-	-	-	-	-	-	1	-	-	4013149	----- R3A		
	28400-Z8D-912ZB	STARTER ASSY., RECOIL (SHORT ROPE)													
		*NH1*.....BLACK	-	-	-	-	-	-	1	-	-	7992713	----- A2R,A7H1,G5AF,G5B,G5BR,G5MF,N1A,N1AF,N5AF,N5B,N5BR,N5MF		
	28400-Z8D-912ZA	*R280*.....POWER RED	-	-	-	-	-	-	1	-	-	7992713	----- G5AF,G5B,G5BR,N5B,N5RB		
			-	-	-	-	-	-	1	-	-	-----	G5AF,G5AF/A,G5B,G5B/A,G5BR,G5BR/A,N5B,N5B/A		



E-11

RECOIL STARTER



ZM00E1100J

Ref. No.	Part No.	Description	Reqd. QTY								Serial No.	Parts catalogue code
			GCV 160	GCV 160 A	GCV 160 A0	GCV 160 E	GCV 160 LE	GCV 160 LA	GCV 160 LA0	GCV 160 LA1		
8	28461-ZL8-003	GRIP, STARTER .....	1	1	1	1	1	1	1	1	-----	A1A, A1A/A, A1AE, A1AF, A1AS, A1AW, A1C, A1E, A1E7, A1E8, A1G7, A1G9, A1J, A1M, A1P, A1U, A1UV, A1W2, A1W7, A2A, A2A9, A2C, A2E, A2E4, A2E7, A2E8, A2E9, A2G4, A2G7, A2G9, A2R, A2R/A, A2U, A2UA, A3A, A3E, A3E7, A3E9, A3G7, A3G9, A3HV, A3T9, A3W7, A3W8, A4A9, A4E, A4EV, A4G4, A4G7, A4G9, A7E1, A7H1, A7H1/A, A7Q1, A7Q1/A, A7X1, BHH, BHH1, C1E, C1E1, C2E, C2E1, C3E, C3E1, C4E, C4E1, E1A2, E1A4, E1G7, E2G7, E5A4, EHHB, G5AF, G5AF/A, G5B, G5B/A, G5BR, G5BR/A, G5MF, G5MF/A, N1, N1A, N1A/A, N1AF, N1C, N1D, N1E1, N1E2, N1E7, N1J1, N1L, N1R, N1T8, N1T9, N1U, N1U/A, N1W, N1W1, N1W2, N1W7, N1W8, N1W9, N2, N2D, N2E, N2E1, N2E2, N2E3, N2E7, N2E8, N2E9, N2EE, N2KE, N2U, N3T8, N3T9, N3U, N3V, N3W8, N3W9, N5A, N5AF, N5AF/A, N5B, N5B/A, N5BR, N5BR/A, N5C, N5MF, N5R, N5RB, N5RE, N7A1, N7S1, NBHT, R1A, R3A, R3L, R3LE, S1A, S1A1, S1E1, S1G4, S1M, S2E, S2E1, S2E2, S2E3, S2G7, S3A, S3A2, S3AL, S3B, S3B/A, S3DB, S3E9, S3G9, S3H, S3H2, S3HB, S3L, S3LB, S3LB/A, S3LE, S3T, S3TE, S4BB, S4E4, S4E9, S4G4, S4G7, S4G9, S4GB, S4H4, S4HB, S4LE, SBA, SBA/A, SBH, SBH/A, SBHE, SBL, SBT, SBT/A, SBTE
9	28462-ZL8-003	ROPE, RECOIL STARTER .....	1	1	1	1	1	1	1	1	-----	A2R, A2R/A, A7E1, A7H1, A7H1/A, A7Q1, A7Q1/A, A7X1, E1A4, E5A4, G5AF, G5AF/A, G5B, G5B/A, G5BR, G5BR/A, G5MF, G5MF/A, N1A, N1A/A, N1AF, N1C, N1D, N1E1, N1E2, N1E7, N1J1, N1L, N1U, N1U/A, N2D, N2E, N2E1, N2E2, N2E3, N2E7, N2E8, N2E9, N2EE, N2U, N3V, N5A, N5AF, N5AF/A, N5B, N5B/A, N5BR, N5BR/A, N5C, N5MF, N5R, N5RB, N5RE, N7A1, N7S1



**E-11**

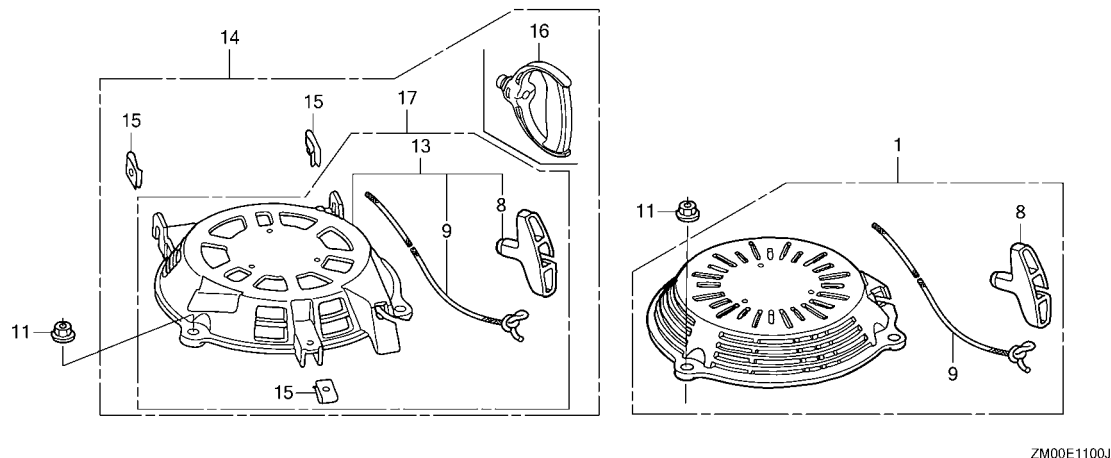
**RECOIL STARTER**

Ref. No.	Part No.	Description	Reqd. QTY										Serial No.	Parts catalogue code	
			GCV 160	GCV 160 A	GCV 160 A0	GCV 160 E	GCV 160 LE	GCV 160 LA	GCV 160 LA0	GCV 160 LA1					
(9)	28462-ZL8-631	ROPE, RECOIL STARTER (LONG TYPE)	1	1	-	-	1	1	-	-	-	-	-	-	A1A, A1AE, A1AF, A1AS, A1AW, A1C, A1E, A1E7, A1E8, A1G7, A1J, A1M, A1P, A1U, A1W2, A1W7, A2A, A2A9, A2C, A2E, A2E4, A2E7, A2E8, A2E9, A2G7, A2U, A3A, A3E, A4A9, A4E, C1E, C1E1, C2E, C2E1, C3E, C3E1, C4E, C4E1, E1A2, E1G7, E2G7, EHHB, N1, N1R, N1W, N1W1, N1W2, N1W7, N1W8, N1W9, N2, N3U, R1A, R3A, S1A, S1A1, S1M, S2G7, S3A2, S3H
	28462-Z0L-V20	ROPE, RECOIL STARTER(BLACK) (LONG TYPE)	-	1	-	-	-	-	-	-	-	-	-	-	BHH1
	28462-Z0L-V71	ROPE, RECOIL STARTER (LONG TYPE)	-	1	-	-	-	-	-	-	-	-	-	-	NBL1, R3A1, RTL1, STA1, STL1
	28462-ZL8-631	.....	-	1	-	-	-	-	-	-	-	-	-	3396966	BHH, S3A, S3H2
	28462-Z0L-V20	ROPE, RECOIL STARTER(BLACK) (LONG TYPE)	-	1	-	-	-	-	-	-	-	-	3396967	-----	BHH, S3A, S3H2
	28462-ZL8-V71	ROPE, RECOIL STARTER (LONG TYPE)	-	-	1	-	-	-	-	1	-	-	-	-	A1G7, A1UV, A2UA, A3G7, A3HV, A3T9, A4G7, N2KE, N3T8, NBHT, S3AL, S3B, S3HB, S4G7, S4GB, S4HB, SBA, A1M, A2E7, A4G4, C1E, C1E1, C2E, C2E1, C3E, C3E1, C4E, C4E1, E2G7, N1R, R3LE, S2G7, S3DB, S3LE, S4BB, S4LE, SBHE
	28462-ZL8-631	.....	-	-	1	-	-	-	-	-	-	-	-	1687181	A1AW, A1E7, N3U
	28462-Z0L-V20	ROPE, RECOIL STARTER(BLACK) (LONG TYPE)	-	-	1	-	-	-	-	-	-	-	-	1687181	BHH1, S3H2, S3TE, SBTE
	28462-ZL8-V71	ROPE, RECOIL STARTER (LONG TYPE)	-	-	1	-	-	-	-	-	-	-	1687182	-----	A1AW, A1E7, BHH1, N3U, S3H2, S3TE, SBTE
	28462-ZL8-631	.....	-	-	-	1	-	-	-	-	-	-	-	-	A1E7, A1E8, A1G7, A1G9, A1W7, A2A9, A2E7, A2E8, A2E9, A2G4, A2G9, A3E9, A3G9, A4G4, A4G9, N1R, N1T8, N1W8, N1W9, N3T9, S1E1, S1G4, S2E, S2E1, S2E2, S2E3, S3E9, S3G9, S4E4, S4E9, S4G4, S4G9, S4H4
	28462-ZL8-V71	.....	-	-	-	1	-	-	-	-	-	-	-	-	A3HV
	28462-ZL8-631	.....	-	-	-	1	-	-	-	-	-	-	3429239	-----	A1P, A2G7, A3E7, A3T9, A3W7, A3W8, A4EV, A4G7, N1T9, N1W7, N3T8, N3W8, N3W9
	28462-ZL8-V71	.....	-	-	-	1	-	-	-	-	-	-	3429240	-----	A1P, A2G7, A3E7, A3T9, A3W7, A3W8, A4EV, A4G7, N1T9, N1W7, N3T8, N3W8, N3W9
	28462-Z0L-V20	ROPE, RECOIL STARTER(BLACK) (LONG TYPE)	-	-	-	-	-	-	1	-	-	-	-	-	BHH, S3A
	28462-ZL8-631	ROPE, RECOIL STARTER (LONG TYPE)	-	-	-	-	-	-	-	1	1	-	-	-	A1AF, E1A2, R3L, S1A, S1M, S3DB, S3L, S3LB, S3LB/A, SBH, SBH/A, SBL
	28462-Z0L-V20	ROPE, RECOIL STARTER(BLACK) (LONG TYPE)	-	-	-	-	-	-	-	1	-	-	-	3150568	A1A, R3A, S3H
	28462-ZL8-V71	ROPE, RECOIL STARTER (LONG TYPE)	-	-	-	-	-	-	-	1	-	-	-	3150568	BHH, S3A, S3T, SBT
	28462-ZL8-V71	ROPE, RECOIL STARTER (LONG TYPE)	-	-	-	-	-	-	-	1	-	-	3150569	-----	A1A, BHH, R3A, S3A, S3H, S3T, SBT
			-	-	-	-	-	-	-	-	1	-	-	-----	A1A, A1A/A, S3B, S3B/A, SBA, SBA/A, SBT, SBT/A



E-11

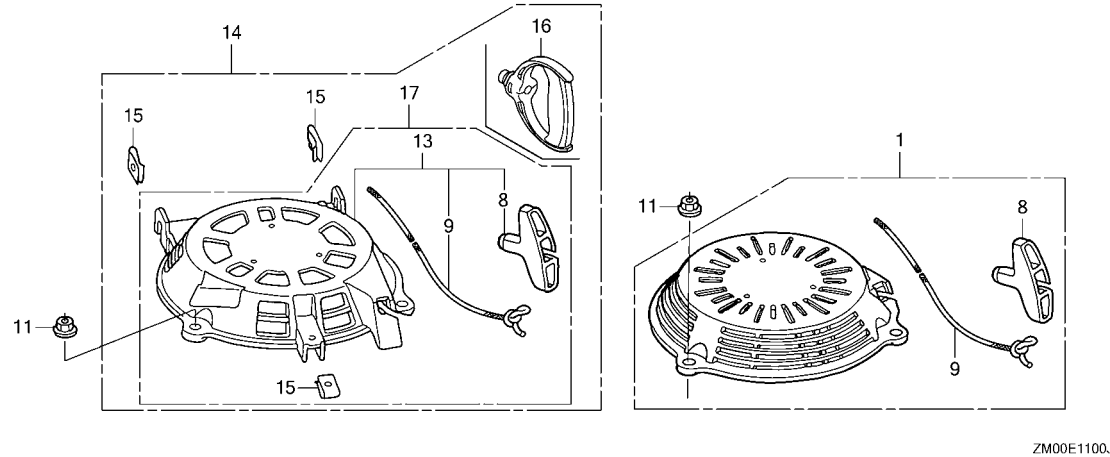
RECOIL STARTER



Ref. No.	Part No.	Description	Reqd. QTY								Serial No.	Parts catalogue code
			GCV 160	GCV 160 A	GCV 160 A0	GCV 160 E	GCV 160 LE	GCV 160 LA	GCV 160 LA0	GCV 160 LA1		
11	90201-ZM0-000	NUT, FLANGE, 6MM.....	3	3	3	3	3	3	3	3	-----	A1A, A1A/A, A1AE, A1AF, A1AS, A1AW, A1C, A1E, A1E7, A1E8, A1G7, A1G9, A1J, A1M, A1U, A1UV, A1W2, A1W7, A2A, A2A9, A2C, A2E, A2E7, A2E8, A2G4, A2G7, A2G9, A2R, A2R/A, A2U, A2UA, A3A, A3E, A3E7, A3E9, A3G7, A3G9, A3HV, A3T9, A3W7, A3W8, A4A9, A4E, A4EV, A4G4, A4G7, A4G9, A7E1, A7H1, A7H1/A, A7Q1, A7Q1/A, A7X1, BHH, BHH1, C1E, C1E1, C2E, C2E1, C3E, C3E1, C4E, C4E1, E1A2, E1A4, E1G7, E2G7, E5A4, EHHB, G5AF, G5AF/A, G5B, G5B/A, G5BR, G5BR/A, G5MF, G5MF/A, N1, N1A, N1A/A, N1AF, N1C, N1D, N1E1, N1E2, N1E7, N1J1, N1L, N1R, N1T8, N1T9, N1U, N1U/A, N1W, N1W1, N1W2, N1W7, N1W8, N1W9, N2, N2D, N2E, N2E1, N2E2, N2E3, N2E7, N2E8, N2E9, N2EE, N2KE, N2U, N3T8, N3T9, N3U, N3V, N3W8, N3W9, N5A, N5AF, N5AF/A, N5B, N5B/A, N5BR, N5BR/A, N5C, N5MF, N5R, N5RB, N5RE, N7A1, N7S1, NBHT, NBL1, R1A, R3A, R3A1, R3L, R3LE, RTL1, S1A, S1A1, S1E1, S1G4, S1M, S2E, S2E1, S2E2, S2E3, S2G7, S3A, S3A2, S3AL, S3B, S3B/A, S3DB, S3E9, S3G9, S3H, S3H2, S3HB, S3L, S3LB, S3LB/A, S3LE, S3T, S3TE, S4BB, S4E4, S4E9, S4G4, S4G7, S4G9, S4GB, S4H4, S4HB, S4LE, SBA, SBA/A, SBH, SBH/A, SBHE, SBL, SBT, SBT/A, SBTE, STA1, STL1, A2E4, A2E9, A1P, S1A1, A2A9, A2G4, A2G9, C1E1, C2E1, C3E1, C4E1, S1E1, S2E1, S2E2, S2E3, S3E9, S3G9, S4E4, S4E9
	90303-MR1-000	.....	3	3	-	3	-	-	-	-	-----	A2E4, A2E9
	90201-ZM0-J20	NUT, FLANGE CAP, 6MM.....	3	-	-	3	-	-	-	-	-----	A1P
13	28400-Z0L-802	STARTER ASSY., RECOIL.....	-	1	-	-	-	-	-	-	-----	S1A1
14	28400-Z0M-801	STARTER ASSY., RECOIL.....	-	1	1	1	-	-	-	-	-----	A2A9, A2G4, A2G9, C1E1, C2E1, C3E1, C4E1, S1E1, S2E1, S2E2, S2E3, S3E9, S3G9, S4E4, S4E9
	28400-Z0L-V72	STARTER ASSY., RECOIL (LONG ROPE)	-	1	-	-	-	-	-	-	-----	NBL1, R3A1, RTL1, STA1, STL1

E-11

RECOIL STARTER



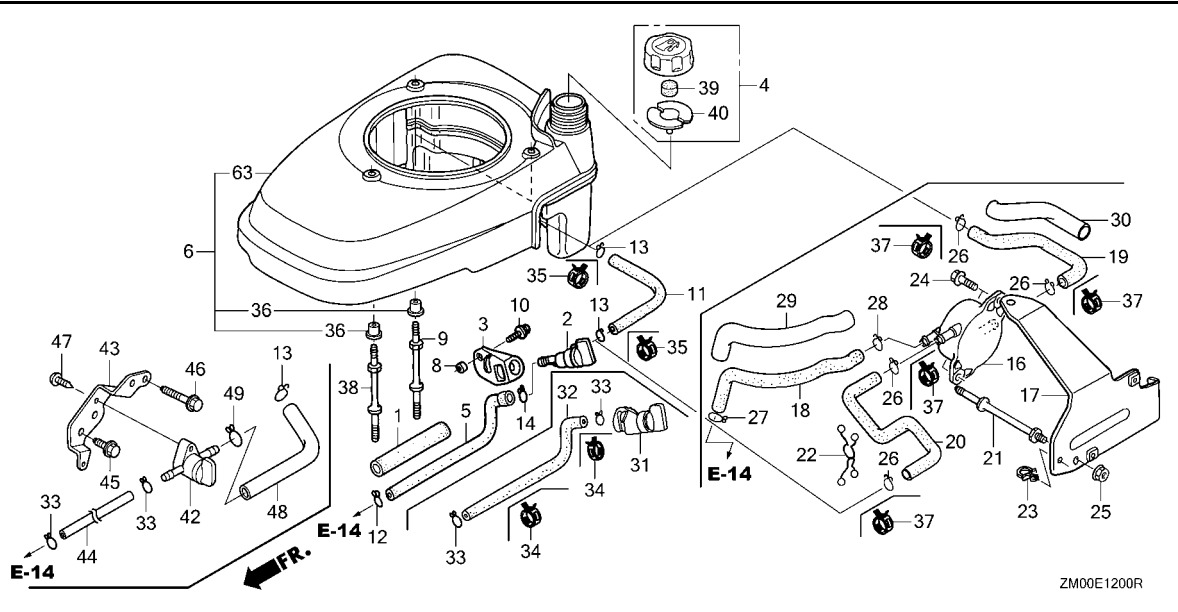
Ref. No.	Part No.	Description	Reqd. QTY								Serial No.	Parts catalogue code
			GCV 160	GCV 160 A	GCV 160 A0	GCV 160 E	GCV 160 LE	GCV 160 LA	GCV 160 LA0	GCV 160 LA1		
14)	28400-Z0M-811	STARTER ASSY., RECOIL .....	-	-	1	-	-	-	-	-	-	A4G4
	28400-Z0M-801	.....	-	-	-	1	-	-	-	-	-	S4H4
	28400-Z0M-811	.....	-	-	-	1	-	-	-	-	3422712	A1G9, A3E9, A3G9, A4G4, A4G9, S1G4, S4G4, S4G9
15	66871-611-000	NUT, CENTER PANEL .....	-	3	-	3	-	-	-	-	-	A1G9, A2A9, A2G4, A2G9, A3E9, A3G9, A4G4, A4G9, C3E1
	66871-KY2-700	NUT, UPPER COWL .....	-	3	-	-	-	-	-	-	-	C4E1, S1E1, S1G4, S2E1, S2E2, S2E3, S3E9, S3G9, S4E4
	66871-611-000	NUT, CENTER PANEL .....	-	-	3	-	-	-	-	-	-	S4E9, S4G4, S4G9, S4H4
	90601-Z8B-003	NUT, CLIP .....	-	-	-	1	-	-	-	-	3383078	C1E1, C2E1, NBL1, R3A1, RTL1, S1A1, STA1, STL1
16	28461-Z0L-V71	NOB, RECOIL STARTER .....	-	1	-	-	-	-	-	-	-	A4G4, C1E1, C2E1, C3E1, C4E1
17	28400-Z8B-V41	STARTER ASSY., RECOIL .....	-	-	1	-	-	-	-	-	3383079	R3LE, S3DB, S3LE, S4BB, S4LE, SBHE
		(LONG ROPE)	-	-	1	-	-	-	-	-	-	R3LE, S3DB, S3LE, S4BB, S4LE, SBHE
	28400-Z8B-V42	.....	-	-	-	-	-	-	1	1	-	R3L, S3DB, S3L, S3LB, S3LB/A, SBH, SBH/A, SBL





E-12

FAN COVER(1)



Ref. L.O.N. (Relative ref. Number) F.R.T.  
 No. Description

Ref. No.	Part No.	Description	Reqd. QTY									Serial No.	Parts catalogue code	
			GCV 160	GCV 160 A	GCV 160 A0	GCV 160 E	GCV 160 LE	GCV 160 LA	GCV 160 LA0	GCV 160 LA1				
1	16854-ZH8-000	RUBBER, SUPPORTER(107MM).....	1	1	-	-	-	-	-	-	-	-	-	A1E7, A1M, A2E7, A4G4, BHH1, C1E, C1E1, C2E, C2E1, C3E, C3E1, C4E, C4E1, E2G7, N1L, N1R, N3U, N3V, S2G7
			-	-	1	-	-	-	-	-	-	-	1091838	S3H2
			-	-	1	-	-	-	-	-	-	-	1851725	A1AW, N1U, N2U
			-	-	-	1	-	-	-	-	-	-	-	A1E7, A1E8, A1G7, A1G9, A1P, A1W7, A2A9, A2E7, A2E8, A2E9, A2G4, A2G7, A2G9, A2R, A3E7, A3E9, A3G9, A3T9, A3W7, A3W8, A4G4, A4G7, A4G9, A7E1, A7Q1, N1D, N1E1, N1E2, N1E7, N1J1, N1R, N1T8, N1T9, N1W7, N1W8, N1W9, N2E7, N2E8, N2E9, N2EE, N3T8, N3T9, N3W8, N3W9, N7A1, S1E1, S1G4, S2E, S2E1, S2E2, S2E3, S3E9, S3G9, S4E4, S4E9, S4G4, S4G9
2	16950-ZG9-M02	COCK ASSY., FUEL.....	1	-	-	-	-	-	-	-	-	-	-	A1J, A1U, A2U, A4E, N2D, N2E2
	16950-ZG9-M03	.....	1	-	-	-	-	-	-	-	-	-	2439088	A1A, A1C, A1E, A1E7, A1E8, A1G7, A1P, A1W2, A1W7, A2A, A2C, A2E, A2E4, A2E7, A2E8, A2E9, A2G7, A2R, A3E, A7E1, N1, N1D, N1E1, N1E2, N1E7, N1R, N1U, N1W, N1W1, N1W2, N1W7, N1W8, N1W9, N2, N2E, N2E1, N2E3, N2E7, N2E8, N2E9, N2U, N3U, N3V, N7A1
			-	1	-	-	-	-	-	-	-	-	2510374	A1A, A1AE, A1AF, A1AS, A1C, A1E7, A1E8, A1W7, A2A, A2C, A2E7, A2E8, A2E9, A2G7, A2R, A3A, A7E1, BHH, N1A, N1AF, N1C, N1E7, N1U, N1W7, N1W8, N1W9, N2E7, N2E8, N2E9, N2U, N3V, N5A, N5AF, N5C, N7A1, S1A, S1A1, S3A, STA1
			-	-	-	1	-	-	-	-	-	-	1197181	A1E7, A1E8, A1G7, A1W7, A2E7, A2E8, A2E9, A2G7, A2G9, A7E1, N1E7, N1W7, N1W8, N1W9, N2E7, N2E8, N2E9, N7A1, S2E, S2E1



**E-12**

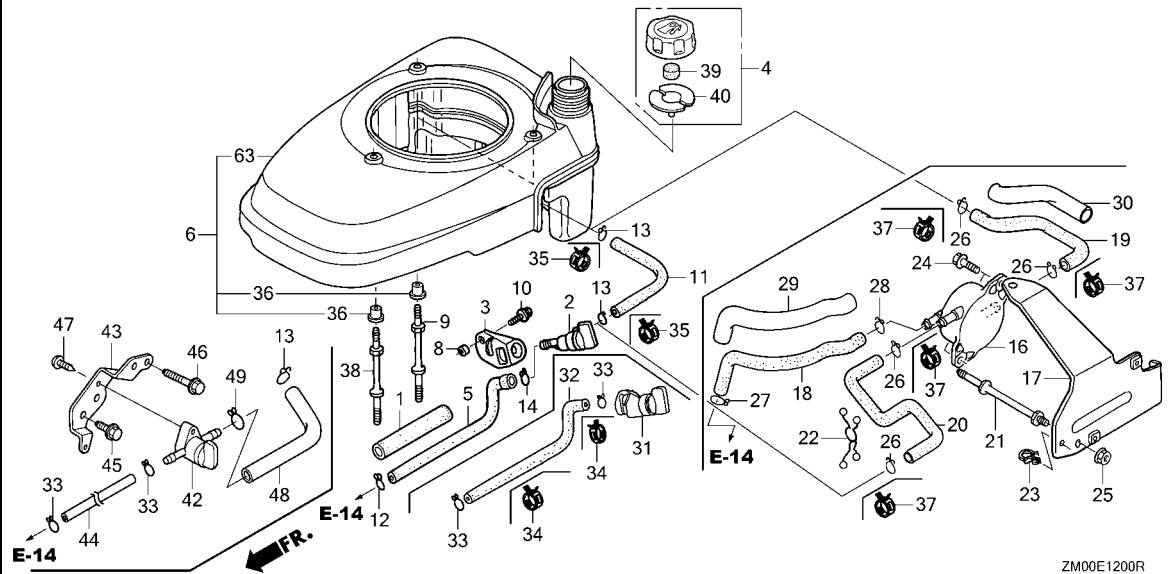
**FAN COVER(1)**

Ref. No.	Part No.	Description	Reqd. QTY									Serial No.	Parts catalogue code
			GCV 160	GCV 160 A	GCV 160 A0	GCV 160 E	GCV 160 LE	GCV 160 LA	GCV 160 LA0	GCV 160 LA1			
3	16956-ZM0-000	BRACKET, FUEL COCK.....	1	-	-	-	-	-	-	-	-	-----	A1J, A1U, A2U, A4E, N2D, N2E2
			1	-	-	-	-	-	-	-	-	-----	2439088 A1A, A1C, A1E, A1E7, A1E8, A1G7, A1P, A1W2, A1W7, A2A A2C, A2E, A2E4, A2E7, A2E8, A2E9, A2G7, A2R, A3E, A7E1 N1, N1D, N1E1, N1E2, N1E7, N1R, N1U, N1W, N1W1, N1W2 N1W7, N1W8, N1W9, N2, N2E, N2E1, N2E3, N2E7, N2E8 N2E9, N2U, N3U, N3V, N7A1
			-	1	-	-	-	-	-	-	-	-----	2510374 A1A, A1AE, A1AF, A1AS, A1C, A1E7, A1E8, A1W7, A2A, A2C A2E7, A2E8, A2E9, A2G7, A2R, A3A, A7E1, BHH, N1A, N1AF N1C, N1E7, N1U, N1W7, N1W8, N1W9, N2E7, N2E8, N2E9 N2U, N3V, N5A, N5AF, N5C, N7A1, S1A, S1A1, S3A, STA1
-	-	-	1	-	-	-	-	-	-	-----	1197181 A1E7, A1E8, A1G7, A1W7, A2E7, A2E8, A2E9, A2G7, A2G9 A7E1, N1E7, N1W7, N1W8, N1W9, N2E7, N2E8, N2E9, N7A1 S2E, S2E1		
4	17620-ZL8-013	CAP ASSY., FUEL TANK.....	1	-	-	-	-	-	-	-	-	-----	A1E7, A1E8, A1G7, A1W7, A2E7, A2E8, A2E9, A2G7, A7E1 N1E7, N1J1, N1R, N1W7, N1W8, N1W9, N2E7, N2E8, N2E9 N3U, N7A1
			1	-	-	-	-	-	-	-	-	-----	2226712 A1A, A1C, A1E, A1J, A1P, A1U, A1W2, A2A, A2C, A2E, A2E4 A2R, A2U, A3E, A4E, N1, N1D, N1E1, N1E2, N1U, N1W, N1W1 N1W2, N2, N2D, N2E, N2E1, N2E2, N2E3, N2U, N3V
			1	-	-	-	-	-	-	-	-	2226713	----- A1A, A1C, A1E, A1J, A1P, A1U, A1W2, A2A, A2C, A2E, A2E4 A2R, A2U, A3E, A4E, N1, N1D, N1E1, N1E2, N1U, N1W, N1W1 N1W2, N2, N2D, N2E, N2E1, N2E2, N2E3, N2U, N3V
			-	1	-	-	-	-	-	-	-	-----	A1AW, C3E, C3E1, C4E, C4E1
			-	1	-	-	-	-	-	-	-	-----	A1C, A1E, A1E8, A1W7, A2C, A2E8, A2E9, A2G7, A3A, A3E A7E1, C1E, C1E1, C2E, C2E1, E1A2, E1A4, E1G7, E2G7 E5A4, EHHB, N1C, N1E1, N1E7, N1W7, N1W8, N1W9, N2E7 N2E8, N2E9, N3V, N5C, R1A, R3A, R3A1, S1A1, STA1
			-	1	-	-	-	-	-	-	-	-----	A2A
			-	1	-	-	-	-	-	-	-	5062541	----- A1A, A2R
			-	1	-	-	-	-	-	-	-	5062541	----- A1AE, A1AF, A1AS, A1E7, A1M, A2E7, BHH, BHH1, N1A N1AF, N1L, N1R, N1U, N2U, N3U, N5A, N5AF, N5MF, N5R N7A1, N7S1, NBL1, RTL1, S1A, S1M, S2G7, S3A, S3A2, S3H S3H2, STL1
			-	1	-	-	-	-	-	-	-	5062542	----- A1A, A1AE, A1AF, A1AS, A1E7, A1M, A2E7, A2R, BHH, BHH1 N1A, N1AF, N1L, N1R, N1U, N2U, N3U, N5A, N5AF, N5MF N5R, N7A1, N7S1, NBL1, RTL1, S1A, S1M, S2G7, S3A, S3A2 S3H, S3H2, STL1
			-	-	1	-	-	-	-	-	-	-----	A1E7, A1M, A2E7, A4G4, BHH1, C1E, C1E1, C2E, C2E1, C3E C3E1, C4E, C4E1, E2G7, N1L, N1R, N3U, N3V, S2G7, S3H2
-	-	1	-	-	-	-	-	-	1851725	----- A1AW, N1U, N2U			
-	-	-	1	-	-	-	-	-	-----	A1E7, A1E8, A1G7, A1G9, A1P, A1W7, A2A9, A2E7, A2E8 A2E9, A2G4, A2G7, A2G9, A2R, A3E7, A3E9, A3G9, A3T9 A3W7, A3W8, A4G4, A4G7, A4G9, A7E1, A7Q1, N1D, N1E1 N1E2, N1E7, N1J1, N1R, N1T8, N1T9, N1W7, N1W8, N1W9 N2E7, N2E8, N2E9, N2EE, N3T8, N3T9, N3W8, N3W9, N7A1 S1E1, S1G4, S2E, S2E1, S2E2, S2E3, S3E9, S3G9, S4E4 S4E9, S4G4, S4G9, S4H4			



# E-12

# FAN COVER(1)



Ref. No.	Part No.	Description	Reqd. QTY									Serial No.	Parts catalogue code	
			GCV 160	GCV 160 A	GCV 160 A0	GCV 160 E	GCV 160 LE	GCV 160 LA	GCV 160 LA0	GCV 160 LA1				
5	17702-ZM0-000	TUBE, FUEL.....	1	-	-	-	-	-	-	-	-	-----	A1J, A1U, A2U, A4E, N2D, N2E2	
			1	-	-	-	-	-	-	-	-	-----	2439088 A1A, A1C, A1E, A1E7, A1E8, A1G7, A1P, A1W2, A1W7, A2A, A2C, A2E, A2E4, A2E7, A2E8, A2E9, A2G7, A2R, A3E, A7E1 N1, N1D, N1E1, N1E2, N1E7, N1R, N1U, N1W, N1W1, N1W2 N1W7, N1W8, N1W9, N2, N2E, N2E1, N2E3, N2E7, N2E8 N2E9, N2U, N3U, N3V, N7A1	
			-	1	-	-	-	-	-	-	-	-	-----	2510374 A1A, A1AE, A1AF, A1AS, A1C, A1E7, A1E8, A1W7, A2A, A2C A2E7, A2E8, A2E9, A2G7, A2R, A3A, A7E1, BHH, N1A, N1AF N1C, N1E7, N1U, N1W7, N1W8, N1W9, N2E7, N2E8, N2E9 N2U, N3V, N5A, N5AF, N5C, N7A1, S1A, S1A1, S3A, STA1
			-	-	-	1	-	-	-	-	-	-	-----	1197181 A1E7, A1E8, A1G7, A1W7, A2E7, A2E8, A2E9, A2G7, A2G9 A7E1, N1E7, N1W7, N1W8, N1W9, N2E7, N2E8, N2E9, N7A1 S2E, S2E1
6	19610-ZM0-010ZC	COVER COMP., FAN	1	1	-	-	-	-	-	-	-	-----	A1W2, A1W7, N1W1, N1W2, N1W8, N1W9	
		*Y166R*.....WOLF YELLOW	1	-	-	-	-	-	-	-	-	-----	A1E7, A1E8, A1G7, A2E4, A2E7, A2E8, A2E9, A2G7, A2R A7E1, N1E7, N1J1, N1W7, N1W8, N1W9, N2E7, N2E8, N2E9 N3U, N3V, N7A1	
	19610-ZM0-010ZA	*NH1*.....BLACK	1	-	-	-	-	-	-	-	-	-----	N3U	
	19610-ZM0-010ZD	*R280*.....POWER RED	1	-	-	-	-	-	-	-	-	-----	1417474 A1A, A1C, A1E, A1J, A1U, A2A, A2C, A2E, A2U, A3E, A4E N1, N1D, N1E1, N1E2, N1U, N1W, N2, N2D, N2E, N2E1, N2E2 N2E3, N2U	
	19610-ZM0-000ZA	*NH1*.....BLACK	1	-	-	-	-	-	-	-	-	-----	1417474 A1E, A2E, N1E2, N1U, N2E, N2E3, N2U, N3V	
	19610-ZM0-000ZB	*R8*.....BRIGHT RED	1	-	-	-	-	-	-	-	-	-----	1417474 A1P	
19610-ZM0-J10ZA	*R8*.....BRIGHT RED	1	-	-	-	-	-	-	-	-	-----	2424487 A1E7, A1E8, A2E4, A2E7, A2E8, A2E9, A2G7, N1R, N2E7 N2E9		
19610-ZM0-010ZB	*R8*.....BRIGHT RED	1	-	-	-	-	-	-	-	-	-----			

# E-12

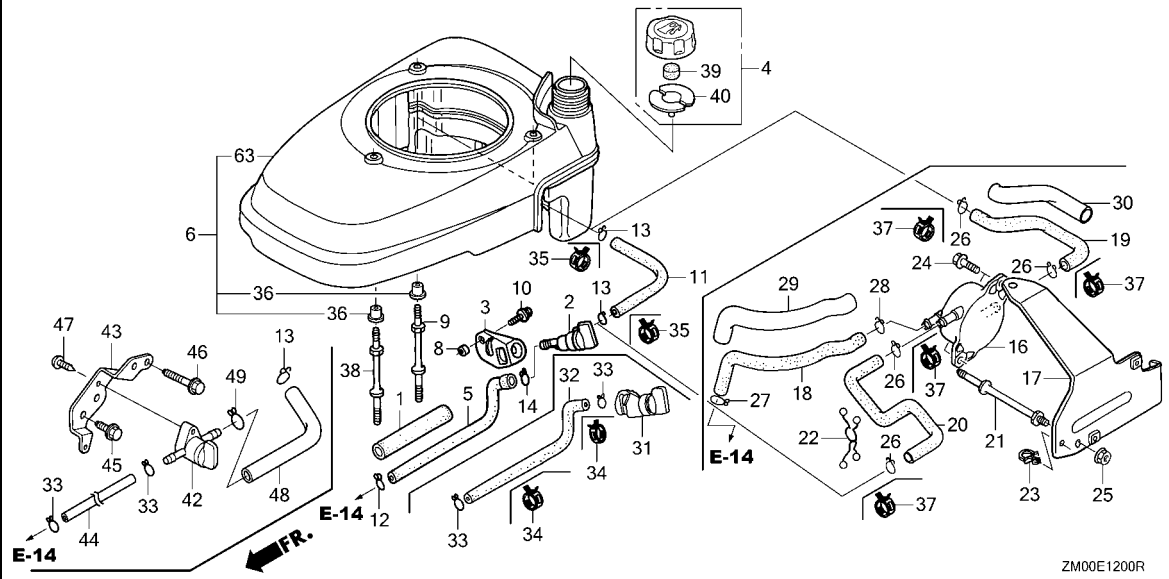
# FAN COVER(1)

Ref. No.	Part No.	Description	Reqd. QTY										Serial No.	Parts catalogue code		
			GCV 160	GCV 160 A	GCV 160 A0	GCV 160 E	GCV 160 LE	GCV 160 LA	GCV 160 LA0	GCV 160 LA1						
(6)	19610-ZM0-010ZA	COVER COMP., FAN														
		*NH1*.....BLACK	1	-	-	-	-	-	-	-	-	-	-	1417475	-----	A1A, A1C, A1E, A1J, A1U, A2A, A2C, A2E, A2U, A3E, A4E N1, N1D, N1E1, N1E2, N1U, N1W, N2, N2D, N2E, N2E1, N2E2 N2E3, N2U
	19610-ZM0-010ZB	*R8*.....BRIGHT RED	1	-	-	-	-	-	-	-	-	-	-	1417475	2424487	A1E, A2E, N1E2, N1U, N2E, N2E3, N2U, N3V
	19610-ZM0-J11ZA	*R8*.....BRIGHT RED	1	-	-	-	-	-	-	-	-	-	-	1417475	2428341	A1P
	19610-ZM0-010ZD	*R280*.....POWER RED	1	-	-	-	-	-	-	-	-	-	-	2424488	-----	A1E, A1E7, A1E8, A2E, A2E4, A2E7, A2E8, A2E9, A2G7 N1E2, N1R, N1U, N2E, N2E3, N2E7, N2E9, N2U, N3V
	19610-ZM0-J11ZC	*R280*.....POWER RED	1	-	-	-	-	-	-	-	-	-	-	2428342	-----	A1P
	19610-ZM0-010ZA	*NH1*.....BLACK	-	1	-	-	-	-	-	-	-	-	-	-----	-----	A1A, A1C, A2A, A2C, A2R, N1A, N1C, N5A, N5C
	19610-Z0L-000ZA	*NH1*.....BLACK	-	1	-	-	-	-	-	-	-	-	-	-----	-----	A1AE, A1AF, A1AS, A1C, A1E, A1E8, A2C, A2E8, A2E9 A2G7, A3E, A7E1, N1AF, N1C, N1E1, N1E7, N1W7, N2E7 N2E8, N2E9, N5AF, N5C, N5MF, N7A1, N7S1, NBL1, S3A2 S3H
	19610-Z0L-000ZC	*T89*.....CRAFTSMAN RED	-	1	-	-	-	-	-	-	-	-	-	-----	-----	A1AE, BHH
	19610-Z0L-000ZD	*R280*.....POWER RED	-	1	-	-	-	-	-	-	-	-	-	-----	-----	A1E, A1E8, A2E8, A2E9, A2G7, A3E, N1E1, N2E7, N2E9 N5R
	19610-Z0L-000ZE	*T90*.....EHP ORANGE	-	1	-	-	-	-	-	-	-	-	-	-----	-----	A3A
	19610-Z0L-000ZF	*T93*.....HUSQVARNA GRAY	-	1	-	-	-	-	-	-	-	-	-	-----	-----	BHH
	19610-Z0L-820ZA	*NH1*.....BLACK	-	1	-	-	-	-	-	-	-	-	-	-----	-----	E1A2, E1A4, E1G7, E2G7, E5A4, EHBB
	19610-Z0L-820ZB	*R280*.....POWER RED	-	1	-	-	-	-	-	-	-	-	-	-----	-----	E1A2, E1A4, E1G7, E2G7, E5A4, EHBB
	19610-Z0L-820ZC	*T89*.....CRAFTSMAN RED	-	1	-	-	-	-	-	-	-	-	-	-----	-----	E1G7, E2G7
	19610-Z0L-820ZD	*T90*.....EHP ORANGE	-	1	-	-	-	-	-	-	-	-	-	-----	-----	E1G7, E2G7
	19610-Z0L-820ZE	*Y166R*.....WOLF YELLOW	-	1	-	-	-	-	-	-	-	-	-	-----	-----	E1G7, E2G7
	19610-Z0L-830ZB	*R280*.....POWER RED	-	1	-	-	-	-	-	-	-	-	-	-----	-----	R1A, R3A
	19610-Z0L-830ZC	*T89*.....CRAFTSMAN RED	-	1	-	-	-	-	-	-	-	-	-	-----	-----	R1A, R3A
	19610-Z0L-830ZD	*T90*.....EHP ORANGE	-	1	-	-	-	-	-	-	-	-	-	-----	-----	R1A, R3A
	19610-Z0L-830ZE	*Y166R*.....WOLF YELLOW	-	1	-	-	-	-	-	-	-	-	-	-----	-----	R1A, R3A
	19610-Z0L-830ZA	*NH1*.....BLACK	-	1	-	-	-	-	-	-	-	-	-	-----	-----	R1A, R3A, R3A1, RTL1
	19610-Z0L-800ZA	*NH1*.....BLACK	-	1	-	-	-	-	-	-	-	-	-	-----	-----	S1A, S1A1, S3A, STA1, STL1
	19610-Z0L-800ZC	*T89*.....CRAFTSMAN RED	-	1	-	-	-	-	-	-	-	-	-	-----	-----	S3A
	19610-Z0L-800ZD	*T93*.....HUSQVARNA GRAY	-	1	-	-	-	-	-	-	-	-	-	-----	-----	S3A
	19610-Z0L-800ZB	*R280*.....POWER RED	-	1	-	-	-	-	-	-	-	-	-	-----	4266565	S3A
	19610-Z0L-000ZD	*R280*.....POWER RED	-	1	-	-	-	-	-	-	-	-	-	-----	4271314	S1M, S3H
	19610-Z0L-000ZA	*NH1*.....BLACK	-	1	-	-	-	-	-	-	-	-	-	-----	7081943	A1AW, A1E7, A1M, A2E7, BHH1, N1L, N1R, N1U, N2U, N3U N3V, S2G7
	19610-Z0L-000ZD	*R280*.....POWER RED	-	1	-	-	-	-	-	-	-	-	-	-----	7081943	A1E7, A2E7, BHH1, N1R, N3U, N3V
	19610-Z0L-820ZA	*NH1*.....BLACK	-	1	-	-	-	-	-	-	-	-	-	-----	7158461	C1E, C1E1, C2E, C2E1, C3E, C3E1, C4E, C4E1
	19610-Z0L-820ZB	*R280*.....POWER RED	-	1	-	-	-	-	-	-	-	-	-	-----	7158461	C1E, C2E
	19610-Z0L-820ZC	*T89*.....CRAFTSMAN RED	-	1	-	-	-	-	-	-	-	-	-	-----	7158461	C1E, C2E
	19610-Z0L-820ZD	*T90*.....EHP ORANGE	-	1	-	-	-	-	-	-	-	-	-	-----	7158461	C1E, C2E
	19610-Z0L-820ZE	*Y166R*.....WOLF YELLOW	-	1	-	-	-	-	-	-	-	-	-	-----	7158461	C1E, C2E
	19610-Z0L-800ZA	*NH1*.....BLACK	-	1	-	-	-	-	-	-	-	-	-	-----	7158461	S3H2
	19610-Z0L-800ZC	*T98*.....MTD RED	-	1	-	-	-	-	-	-	-	-	-	-----	4266566	S3A
	19610-Z0L-000ZE	*T98*.....MTD RED	-	1	-	-	-	-	-	-	-	-	-	-----	4271315	S1M, S3H
	19610-Z0L-010ZA	*NH1*.....BLACK	-	1	-	-	-	-	-	-	-	-	-	-----	7081944	A1AW, A1E7, A1M, A2E7, BHH1, N1L, N1R, N1U, N2U, N3U N3V, S2G7
	19610-Z0L-010ZD	*R280*.....POWER RED	-	1	-	-	-	-	-	-	-	-	-	-----	7081944	A1E7, A2E7, BHH1, N1R, N3U, N3V
	19610-Z0L-821ZA	*NH1*.....BLACK	-	1	-	-	-	-	-	-	-	-	-	-----	7158462	C1E, C1E1, C2E, C2E1, C3E, C3E1, C4E, C4E1
	19610-Z0L-821ZB	*R280*.....POWER RED	-	1	-	-	-	-	-	-	-	-	-	-----	7158462	C1E, C2E
	19610-Z0L-821ZC	*T89*.....CRAFTSMAN RED	-	1	-	-	-	-	-	-	-	-	-	-----	7158462	C1E, C2E
	19610-Z0L-821ZD	*T90*.....EHP ORANGE	-	1	-	-	-	-	-	-	-	-	-	-----	7158462	C1E, C2E
	19610-Z0L-821ZE	*Y166R*.....WOLF YELLOW	-	1	-	-	-	-	-	-	-	-	-	-----	7158462	C1E, C2E
	19610-Z0L-801ZA	*NH1*.....BLACK	-	1	-	-	-	-	-	-	-	-	-	-----	7158462	S3H2
	19610-Z0L-010ZA	*NH1*.....BLACK	-	-	1	-	-	-	-	-	-	-	-	-----	-----	A1E7, A1M, A2E7, BHH1, N1L, N1R, N3U, S2G7
	19610-Z0L-010ZD	*R280*.....POWER RED	-	-	1	-	-	-	-	-	-	-	-	-----	-----	A1E7, A2E7, BHH1, N1R, N3U, N3V
	19610-Z0L-821ZA	*NH1*.....BLACK	-	-	1	-	-	-	-	-	-	-	-	-----	-----	C1E, C1E1, C2E, C2E1, C3E, C3E1, C4E, C4E1, E2G7
	19610-Z0L-821ZB	*R280*.....POWER RED	-	-	1	-	-	-	-	-	-	-	-	-----	-----	C1E, C2E, E2G7



# E-12

# FAN COVER(1)



Ref. No.	Part No.	Description	Reqd. QTY									Serial No.	Parts catalogue code	
			GCV 160	GCV 160 A	GCV 160 A0	GCV 160 E	GCV 160 LE	GCV 160 LA	GCV 160 LA0	GCV 160 LA1				
(6)	19610-Z0L-821ZC	COVER COMP., FAN	-	-	1	-	-	-	-	-	-	-	-	C1E, C2E, E2G7
	19610-Z0L-821ZD	*T89*.....CRAFTSMAN RED	-	-	1	-	-	-	-	-	-	-	-	C1E, C2E, E2G7
	19610-Z0L-821ZE	*T90*.....EHP ORANGE	-	-	1	-	-	-	-	-	-	-	-	C1E, C2E, E2G7
	19610-Z0L-801ZA	*Y166R*.....WOLF YELLOW	-	-	1	-	-	-	-	-	-	-	-	S3H2
	19610-Z0L-801ZA	*NH1*.....BLACK	-	-	1	-	-	-	-	-	-	-	-	1851725
	19610-Z0L-010ZA	*NH1*.....BLACK	-	-	1	-	-	-	-	-	-	-	-	A1AW, N1U, N2U
	19610-Z1L-000ZA	*NH1*.....BLACK	-	-	-	1	-	-	-	-	-	-	-	A1G9, A2A9, A2G4, A2R, A3E9, A3G9, A3T9, A3W8, A4G4, A4G7, A4G9, A7Q1, N1D, N1E1, N1E2, N1J1, N1R, N1T8, N1T9, N2EE, N3T8, N3T9, N3W8, N3W9, S1G4, S2E2, S2E3, S3E9, S3G9, S4E4, S4E9, S4G4, S4G9, S4H4
	19610-Z1L-000ZB	*R280*.....POWER RED	-	-	-	1	-	-	-	-	-	-	-	A1G9, A2G4, A2R, A4G9, N1D, N1E1, N1E2, N1J1, N1R, S2E2, S2E3, S3E9, S3G9, S4E4, S4E9, S4G4, S4G9
	19610-Z0M-J10ZC	COVER COMP., FAN(LR3)	-	-	-	1	-	-	-	-	-	-	-	A1P
	19610-Z0M-J10ZD	*NH1*.....BLACK	-	-	-	1	-	-	-	-	-	-	-	A1P
	19610-ZM0-010ZB	*R280 1*.....POWER RED	-	-	-	1	-	-	-	-	-	-	-	A2G9
	19610-ZM0-010ZC	COVER COMP., FAN	-	-	-	1	-	-	-	-	-	-	-	A3W7, A3W8, N3W8, N3W9
	19610-Z1L-000ZC	*R8*.....BRIGHT RED	-	-	-	1	-	-	-	-	-	-	-	S1E1, S2E, S2E1
	19610-Z1L-000ZC	*Y166R*.....WOLF YELLOW	-	-	-	1	-	-	-	-	-	-	-	S2E, S2E1
	19610-Z1L-800ZA	*NH1*.....BLACK	-	-	-	1	-	-	-	-	-	-	-	1215355
	19610-Z1L-800ZB	*R8*.....BRIGHT RED	-	-	-	1	-	-	-	-	-	-	-	A1E7, A1E8, A1G7, A1W7, A2E7, A2E8, A2E9, A2G7, A2G9, A3E7, A7E1, N1E7, N1W7, N1W8, N1W9, N2E7, N2E8, N2E9, N7A1
	19610-ZM0-010ZA	*NH1*.....BLACK	-	-	-	1	-	-	-	-	-	-	-	1215355
	19610-ZM0-010ZD	*R280*.....POWER RED	-	-	-	1	-	-	-	-	-	-	-	1215355
	19610-ZM0-010ZC	*Y166R*.....WOLF YELLOW	-	-	-	1	-	-	-	-	-	-	-	1215355
	19610-Z1L-000ZA	*NH1*.....BLACK	-	-	-	1	-	-	-	-	-	-	-	1215356
	19610-Z1L-000ZA	*NH1*.....BLACK	-	-	-	1	-	-	-	-	-	-	-	A1E7, A1E8, A1G7, A1W7, A2E7, A2E8, A2E9, A2G7, A2G9, A3E7, A7E1, N1E7, N1W7, N1W8, N1W9, N2E7, N2E8, N2E9, N7A1



E-12

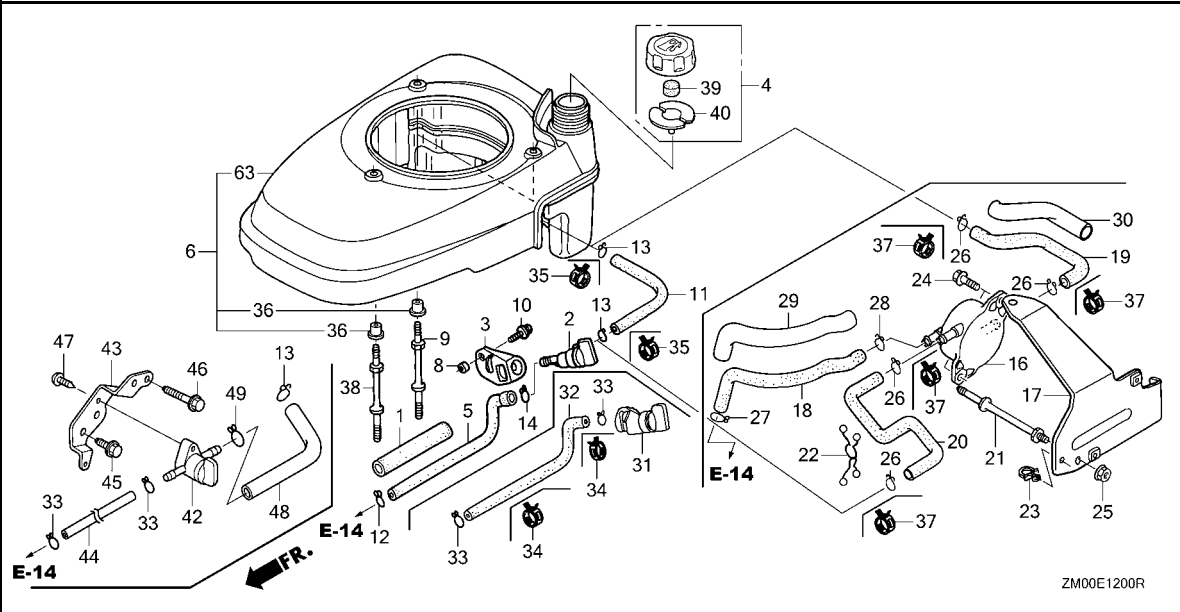
FAN COVER(1)

Ref. No.	Part No.	Description	Reqd. QTY										Serial No.	Parts catalogue code
			GCV 160	GCV 160 A	GCV 160 A0	GCV 160 E	GCV 160 LE	GCV 160 LA	GCV 160 LA0	GCV 160 LA1				
(6)	19610-Z1L-000ZB	COVER COMP., FAN *R280*.....POWER RED	-	-	-	1	-	-	-	-	-	1215356	-----	A1E7, A1E8, A2E7, A2E8, A2E9, A2G7, N1E7, N1W7, N2E7, N2E8, N2E9
	19610-Z1L-000ZC	*Y166R*.....WOLF YELLOW	-	-	-	1	-	-	-	-	-	1215356	-----	A1W7, N1W7, N1W8, N1W9
8	33609-GK4-620	COLLAR, FR. WINKER.....	1	1	-	-	-	-	-	-	-	-----	-----	A1A, A1AS, A1AW, A1C, A1E, A1E7, A1E8, A1G7, A1J, A1M, A1P, A1U, A1W2, A1W7, A2A, A2C, A2E, A2E4, A2E7, A2E8, A2E9, A2G7, A2R, A2U, A3E, A4E, A7E1, BHH, BHH1, E1G7, E2G7, EHHB, N1, N1A, N1C, N1D, N1E1, N1E2, N1E7, N1J1, N1L, N1R, N1U, N1W, N1W1, N1W2, N1W7, N1W8, N1W9, N2, N2D, N2E, N2E1, N2E2, N2E3, N2E7, N2E8, N2E9, N2U, N3U, N3V, N5A, N5C, N7A1, N7S1, NBL1, S2G7
	91501-Z0L-800	COLLAR, FUEL COCK.....	-	1	-	-	-	-	-	-	-	-----	-----	A1AE, A1AF, A3A, C1E, C1E1, C2E, C2E1, C3E, C3E1, C4E, C4E1, E1A2, E1A4, E5A4, N1AF, N5AF, N5MF, N5R, R1A, R3A, R3A1, RTL1, S1A, S1A1, S1M, S3A, S3A2, S3H, S3H2, STA1, STL1
	33609-GK4-620	COLLAR, FR. WINKER.....	-	-	1	-	-	-	-	-	-	-----	-----	A1AW, A1E7, A4G4, BHH1, C1E, C1E1, C2E, C2E1, C3E, C3E1, C4E, C4E1, N3U
	91501-Z0L-800	COLLAR, FUEL COCK.....	-	-	1	-	-	-	-	-	-	-----	-----	A2E7, E2G7, N1L, N1R, S2G7
	33609-GK4-620	COLLAR, FR. WINKER.....	-	-	1	-	-	-	-	-	-	-----	-----	1091838 S3H2
	91501-Z0L-800	COLLAR, FUEL COCK.....	-	-	1	-	-	-	-	-	-	-----	-----	1149597 A1AW, A1M, N1U, N2U, N3U, N3V
	33609-GK4-620	COLLAR, FR. WINKER.....	-	-	1	-	-	-	-	-	-	-----	-----	1149598 A1M, N3V
	91501-Z0L-800	COLLAR, FUEL COCK.....	-	-	1	-	-	-	-	-	-	-----	-----	1488644 A1AW, N1U, N2U, N3U
	33609-GK4-620	COLLAR, FR. WINKER.....	-	-	1	-	-	-	-	-	-	-----	-----	1488645 N3U
	91501-Z0L-800	COLLAR, FUEL COCK.....	-	-	1	-	-	-	-	-	-	-----	-----	1851725 A1AW, N1U, N2U
	33609-GK4-620	COLLAR, FR. WINKER.....	-	-	1	-	-	-	-	-	-	-----	-----	A1E7, A1E8, A1G7, A1G9, A1P, A1W7, A2A9, A2E7, A2E8, A2E9, A2G4, A2G7, A2G9, A2R, A3E7, A3E9, A3G9, A3T9, A3W7, A3W8, A4G4, A4G7, A4G9, A7E1, A7Q1, N1D, N1E1, N1E2, N1E7, N1J1, N1R, N1T8, N1T9, N1W7, N1W8, N1W9, N2E7, N2E8, N2E9, N2EE, N3T8, N3T9, N3W8, N3W9, N7A1, S1G4, S2E, S2E3, S3G9, S4G4, S4G9
	90043-ZL8-000	BOLT, STUD(H=42.5MM).....	2	2	-	-	-	-	-	-	-	-----	-----	3176791 S1E1, S2E1, S2E2, S3E9, S4E4, S4E9
	90043-Z8D-010	BOLT, STUD(FAN COVER).....	-	-	2	-	-	-	-	-	-	-----	-----	A4G4
	90043-ZL8-000	BOLT, STUD(H=42.5MM).....	-	-	2	-	-	-	-	-	-	-----	-----	1527823 A1AW, A1E7, A1M, A2E7, BHH1, C1E, C1E1, C2E, C2E1, C3E, C3E1, C4E, C4E1, E2G7, N1L, N1R, N1U, N2U, N3U, N3V, S2G7, S3H2
	90043-Z8B-000	BOLT, STUD(FAN COVER).....	-	-	2	-	-	-	-	-	-	-----	-----	1527824 A1E7, A1M, A2E7, BHH1, C1E, C1E1, C2E, C2E1, C3E, C3E1, C4E, C4E1, E2G7, N1L, N1R, N3U, N3V, S2G7, S3H2
	90043-ZL8-000	BOLT, STUD(H=42.5MM).....	-	-	2	-	-	-	-	-	-	-----	-----	1851725 A1AW, N1U, N2U
	90041-Z1L-000	BOLT, STUD.....	-	-	-	2	-	-	-	-	-	-----	-----	A1E7, A1E8, A1G7, A1W7, A2A9, A2E7, A2E8, A2E9, A2R, N1D, N1E1, N1E2, N1E7, N1R, N1T8, N1W8, N1W9, N2E9, N3T9, N7A1, S2E
	90043-ZL8-000	BOLT, STUD(H=42.5MM).....	-	-	-	2	-	-	-	-	-	-----	-----	A7Q1, S4H4
	90041-Z1L-000	BOLT, STUD.....	-	-	-	2	-	-	-	-	-	-----	-----	3176791 A1G9, A1P, A2G4, A2G7, A2G9, A3E7, A3E9, A3G9, A3T9, A3W7, A3W8, A4G4, A4G7, A4G9, A7E1, N1J1, N1T9, N1W7, N2E7, N2E8, N2EE, N3T8, N3W8, N3W9, S1E1, S1G4, S2E1, S2E2, S2E3, S3E9, S3G9, S4E4, S4E9, S4G4, S4G9
	90041-Z1L-000	BOLT, STUD.....	-	-	-	2	-	-	-	-	-	-----	-----	3176792 A1G9, A1P, A2G4, A2G7, A2G9, A3E7, A3E9, A3G9, A3T9, A3W7, A3W8, A4G4, A4G7, A4G9, A7E1, N1J1, N1T9, N1W7, N2E7, N2E8, N2EE, N3T8, N3W8, N3W9, S1E1, S1G4, S2E1, S2E2, S2E3, S3E9, S3G9, S4E4, S4E9, S4G4, S4G9



# E-12

# FAN COVER(1)



Ref. No.	Part No.	Description	Reqd. QTY									Serial No.	Parts catalogue code	
			GCV 160	GCV 160 A	GCV 160 A0	GCV 160 E	GCV 160 LE	GCV 160 LA	GCV 160 LA0	GCV 160 LA1				
10	93891-05010-08	SCREW-WASHER, 5X10 .....	1	1	-	-	-	-	-	-	-	-	-	A1AW, A1E7, A1M, A2E7, A4G4, BHH1, C1E, C1E1, C2E, C2E1, C3E, C3E1, C4E, C4E1, E2G7, N1L, N1R, N3U, N3V, S2G7, S3H2
			-	-	-	1	-	-	-	-	-	-	-	A1E7, A1E8, A1G7, A1G9, A1P, A1W7, A2A9, A2E7, A2E8, A2E9, A2G4, A2G7, A2G9, A2R, A3E7, A3E9, A3G9, A3T9, A3W7, A3W8, A4G4, A4G7, A4G9, A7E1, A7Q1, N1D, N1E1, N1E2, N1E7, N1J1, N1R, N1T8, N1T9, N1W7, N1W8, N1W9, N2E7, N2E8, N2E9, N2EE, N3T8, N3T9, N3W8, N3W9, N7A1, S1G4, S2E, S2E3, S3G9, S4G4, S4G9
			-	-	-	1	-	-	-	-	-	-	3176791	S1E1, S2E1, S2E2, S3E9, S4E4, S4E9
11	95001-55150-40	TUBE, FUEL, 5.3X150 (95001-55001-60M)	1	-	-	-	-	-	-	-	-	-	-	A1A, A1C, A1E, A1E7, A1E8, A1G7, A1J, A1P, A1U, A1W2, A1W7, A2A, A2C, A2E, A2E4, A2E7, A2E8, A2E9, A2G7, A2R, A2U, A3E, A4E, N1, N1D, N1E1, N1E2, N1E7, N1J1, N1R, N1U, N1W, N1W1, N1W2, N1W7, N1W8, N1W9, N2, N2D, N2E, N2E1, N2E2, N2E3, N2E7, N2E8, N2E9, N2U, N3U, N3V
	91425-Z0L-801	TUBE, FUEL, 5.3X150(FKM) .....	-	1	-	-	-	-	-	-	-	-	-	A1AW, BHH1, N5MF, N5R, S1M
	95001-55150-40	TUBE, FUEL, 5.3X150 (95001-55001-60M)	-	1	-	-	-	-	-	-	-	-	-	A1E, A1M, A3E, C1E, C1E1, C2E, C2E1, C3E, C3E1, C4E, C4E1, E1A2, E1A4, E1G7, E2G7, E5A4, EHHB, N1E1, N1L, N1R, N3U, S2G7, S3H2
	17701-Z0L-000	TUBE, FUEL TANK .....	-	1	-	-	-	-	-	-	-	-	2510374	A1A, A1AE, A1AF, A1AS, A1C, A1E7, A1E8, A1W7, A2A, A2C, A2E7, A2E8, A2E9, A2G7, A2R, A3A, BHH, N1A, N1AF, N1C, N1E7, N1U, N1W7, N1W8, N1W9, N2E7, N2E8, N2E9, N2U, N3V, N5A, N5AF, N5C, S1A, S1A1, S3A, STA1



**E-12**

**FAN COVER(1)**

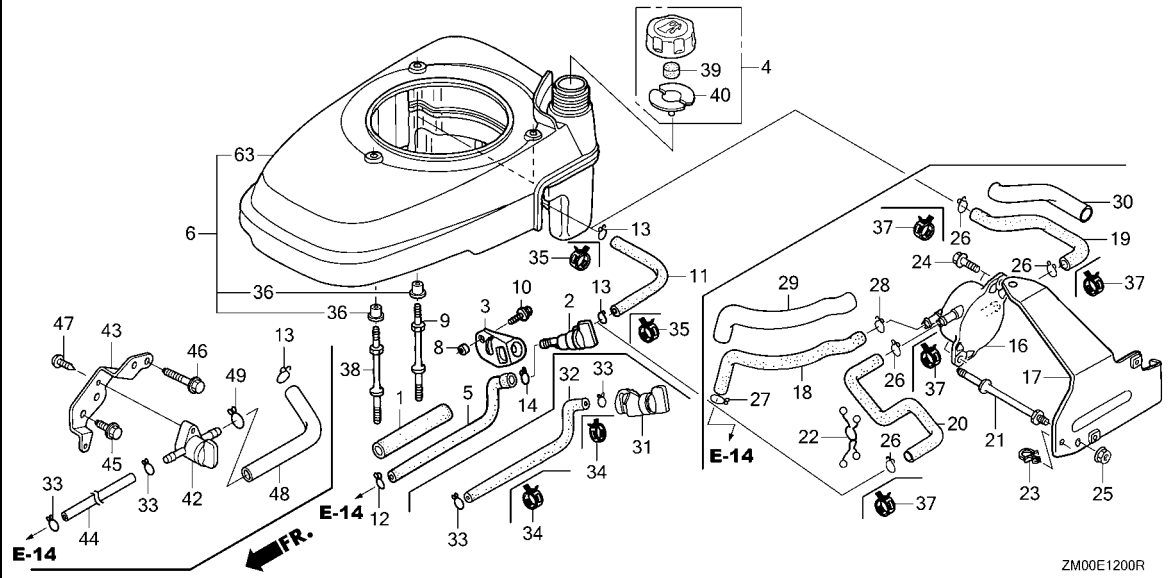
Ref. No.	Part No.	Description	Reqd. QTY								Serial No.	Parts catalogue code
			GCV 160	GCV 160 A	GCV 160 A0	GCV 160 E	GCV 160 LE	GCV 160 LA	GCV 160 LA0	GCV 160 LA1		
11)	95001-55150-40	TUBE, FUEL, 5.3X150 (95001-55001-60M)	-	1	-	-	-	-	-	-	-----	3698326 NBL1
			-	1	-	-	-	-	-	-	-----	4030139 RTL1,STL1
			-	1	-	-	-	-	-	-	-----	4803407 S3A2,S3H
			-	1	-	-	-	-	-	-	-----	8020871 R1A,R3A,R3A1
			-	1	-	-	-	-	-	2510375	-----	A1E7,A1E8,A1W7,A2E7,A2E8,A2E9,A2G7,N1E7,N1U N1W7,N1W8,N1W9,N2E7,N2E8,N2E9,N2U,N3V
			-	1	-	-	-	-	-	2510375	-----	3698326 A1A,A1AS,A1C,A2A,A2C,A2R,BHH,N1A,N1C,N5A,N5C
			-	1	-	-	-	-	-	2510375	-----	4030139 S1A,S1A1,S3A,STA1
			-	1	-	-	-	-	-	2510375	-----	4062255 A1AE,A1AF,A3A,N1AF,N5AF
	91425-Z0L-801	TUBE, FUEL, 5.3X150(FKM).....	-	1	-	-	-	-	-	3698327	-----	A1A,A1AS,A1C,A2A,A2C,A2R,BHH,N1A,N1C,N5A,N5C NBL1
			-	1	-	-	-	-	-	4030140	-----	RTL1,S1A,S1A1,S3A,STA1,STL1
			-	1	-	-	-	-	-	4062256	-----	A1AE,A1AF,A3A,N1AF,N5AF
			-	1	-	-	-	-	-	4803408	-----	S3A2,S3H
			-	1	-	-	-	-	-	8020872	-----	R1A,R3A,R3A1
	95001-55150-40	TUBE, FUEL, 5.3X150 (95001-55001-60M)	-	-	1	-	-	-	-	-----	-----	A1E7,A1M,A2E7,A4G4,C1E,C1E1,C2E,C2E1,C3E,C3E1 C4E,C4E1,E2G7,N1L,N1R,N3U,N3V,S2G7
	91425-Z0L-802	TUBE, FUEL, 5.3X150(FKM).....	-	-	1	-	-	-	-	-----	-----	BHH1
	95001-55150-40	TUBE, FUEL, 5.3X150 (95001-55001-60M)	-	-	1	-	-	-	-	-----	-----	1091838 S3H2
	91425-Z0L-802	TUBE, FUEL, 5.3X150(FKM).....	-	-	1	-	-	-	-	-----	-----	1851725 A1AW
	95001-55150-40	TUBE, FUEL, 5.3X150 (95001-55001-60M)	-	-	1	-	-	-	-	-----	-----	1851725 N1U,N2U
			-	-	-	1	-	-	-	-----	-----	A1E7,A1E8,A1G7,A1G9,A1P,A1W7,A2A9,A2E7,A2E8 A2E9,A2G4,A2G7,A2G9,A3E7,A3E9,A3G9,A3T9,A3W7 A3W8,A4G4,A4G7,A4G9,N1D,N1E1,N1E2,N1E7,N1J1 N1R,N1T8,N1T9,N1W7,N1W8,N1W9,N2E7,N2E8,N2E9 N2EE,N3T8,N3T9,N3W8,N3W9,S1G4,S2E,S2E3,S3G9 S4G4,S4G9
			-	-	-	1	-	-	-	-----	-----	2075802 A2R
			-	-	-	1	-	-	-	-----	-----	3176791 S1E1,S2E1,S2E2,S3E9,S4E4,S4E9
	91425-Z0L-801	TUBE, FUEL, 5.3X150(FKM).....	-	-	-	1	-	-	-	2075803	-----	A2R
12	95002-02080	CLIP, TUBE(B8).....	1	-	-	-	-	-	-	-----	-----	A1J,A1U,A2U,A4E,N2D,N2E2
			1	-	-	-	-	-	-	-----	-----	2439088 A1A,A1C,A1E,A1E7,A1E8,A1G7,A1P,A1W2,A1W7,A2A A2C,A2E,A2E4,A2E7,A2E8,A2E9,A2G7,A2R,A3E,A7E1 N1,N1D,N1E1,N1E2,N1E7,N1R,N1U,N1W,N1W1,N1W2 N1W7,N1W8,N1W9,N2,N2E,N2E1,N2E3,N2E7,N2E8 N2E9,N2U,N3U,N3V,N7A1
			-	1	-	-	-	-	-	-----	-----	2510374 A1A,A1AE,A1AF,A1AS,A1C,A1E7,A1E8,A1W7,A2A,A2C A2E7,A2E8,A2E9,A2G7,A2R,A3A,A7E1,BHH,N1A,N1AF N1C,N1E7,N1U,N1W7,N1W8,N1W9,N2E7,N2E8,N2E9 N2U,N3V,N5A,N5AF,N5C,N7A1,S1A,S1A1,S3A,STA1
			-	-	-	1	-	-	-	-----	-----	1197181 A1E7,A1E8,A1G7,A1W7,A2E7,A2E8,A2E9,A2G7,A2G9 A7E1,N1E7,N1W7,N1W8,N1W9,N2E7,N2E8,N2E9,N7A1 S2E,S2E1





# E-12

# FAN COVER(1)



Ref. No.	Part No.	Description	Reqd. QTY								Serial No.	Parts catalogue code
			GCV 160	GCV 160 A	GCV 160 A0	GCV 160 E	GCV 160 LE	GCV 160 LA	GCV 160 LA0	GCV 160 LA1		
13	95002-02100	CLIP, TUBE(B10).....	2	-	-	-	-	-	-	-	-	A1A, A1C, A1E, A1E7, A1E8, A1G7, A1J, A1P, A1U, A1W2, A1W7, A2A, A2C, A2E, A2E4, A2E7, A2E8, A2E9, A2G7, A2R, A2U, A3E, A4E, N1, N1D, N1E1, N1E2, N1E7, N1J1, N1R, N1U, N1W, N1W1, N1W2, N1W7, N1W8, N1W9, N2, N2D, N2E, N2E1, N2E2, N2E3, N2E7, N2E8, N2E9, N2U, N3U, N3V

2

**E-12**

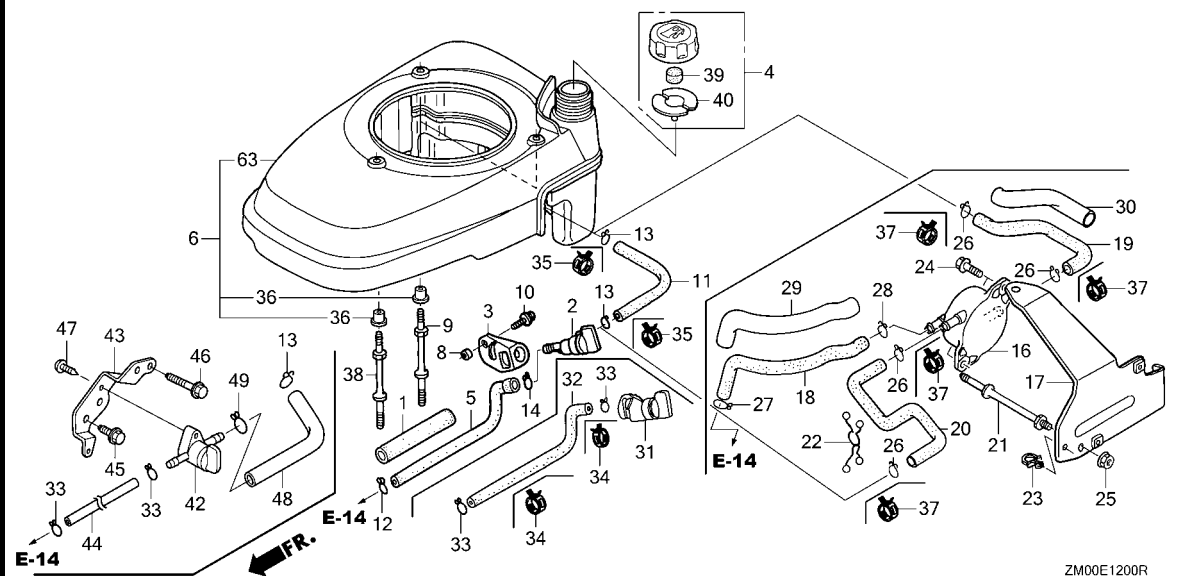
**FAN COVER(1)**

Ref. No.	Part No.	Description	Reqd. QTY										Serial No.	Parts catalogue code		
			GCV 160	GCV 160 A	GCV 160 A0	GCV 160 E	GCV 160 LE	GCV 160 LA	GCV 160 LA0	GCV 160 LA1						
13)	95002-02100	CLIP, TUBE(B10).....	-	2	-	-	-	-	-	-	-	-	-	-	A1E, A1E7, A1E8, A1M, A1W7, A2E7, A2E8, A2E9, A2G7, A3E, C1E, C1E1, C2E, C2E1, C3E, C3E1, C4E, C4E1, E1A2, E1A4, E1G7, E2G7, E5A4, EHHB, N1E1, N1E7, N1L, N1R, N1U, N1W7, N1W8, N1W9, N2E7, N2E8, N2E9, N2U, N3U, N3V, S2G7, S3H2	
			-	2	-	-	-	-	-	-	-	-	-	3698326	A1A, A1AS, A1C, A2A, A2C, A2R, BHH, N1A, N1C, N5A, N5C, NBL1	
			-	2	-	-	-	-	-	-	-	-	-	4030139	RTL1, S1A, S1A1, S3A, STA1, STL1	
			-	2	-	-	-	-	-	-	-	-	-	4062255	A1AE, A1AF, A3A, N1AF, N5AF	
			-	2	-	-	-	-	-	-	-	-	-	4803407	S3A2, S3H	
			-	2	-	-	-	-	-	-	-	-	-	8020871	R1A, R3A, R3A1	
			-	-	2	-	-	-	-	-	-	-	-	-	A1E7, A1M, A2E7, A4G4, C1E, C1E1, C2E, C2E1, C3E, C3E1, C4E, C4E1, E2G7, N1L, N1R, N3U, N3V, S2G7	
			-	-	2	-	-	-	-	-	-	-	-	1091838	S3H2	
			-	-	2	-	-	-	-	-	-	-	-	1851725	N1U, N2U	
			-	-	1	-	-	-	-	-	-	-	1091839	S3H2		
			-	-	-	2	-	-	-	-	-	-	-	-	A1E7, A1E8, A1G7, A1G9, A1P, A1W7, A2A9, A2E7, A2E8, A2E9, A2G4, A2G7, A2G9, A3E7, A3E9, A3G9, A3T9, A3W7, A3W8, A4G4, A4G7, A4G9, N1D, N1E1, N1E2, N1E7, N1J1, N1R, N1T8, N1T9, N1W7, N1W8, N1W9, N2E7, N2E8, N2E9, N2EE, N3T8, N3T9, N3W8, N3W9, S1G4, S2E, S2E3, S3G9, S4G4, S4G9	
			-	-	-	1	-	-	-	-	-	-	-	-	S4H4	
			-	-	-	2	-	-	-	-	-	-	-	2075802	A2R	
			-	-	-	2	-	-	-	-	-	-	-	3176791	S1E1, S2E1, S2E2, S3E9, S4E4, S4E9	
			-	-	-	1	-	-	-	-	-	-	-	3176792	S1E1, S2E1, S2E2, S3E9, S4E4, S4E9	
14	95002-50000	CLIP, TUBE(C9).....	1	-	-	-	-	-	-	-	-	-	-	-	A1J, A1U, A2U, A4E, N2D, N2E2	
			1	-	-	-	-	-	-	-	-	-	-	2439088	A1A, A1C, A1E, A1E7, A1E8, A1G7, A1P, A1W2, A1W7, A2A, A2C, A2E, A2E4, A2E7, A2E8, A2E9, A2G7, A2R, A3E, A7E1, N1, N1D, N1E1, N1E2, N1E7, N1R, N1U, N1W, N1W1, N1W2, N1W7, N1W8, N1W9, N2, N2E, N2E1, N2E3, N2E7, N2E8, N2E9, N2U, N3U, N3V, N7A1	
			-	1	-	-	-	-	-	-	-	-	-	2510374	A1A, A1AE, A1AF, A1AS, A1C, A1E7, A1E8, A1W7, A2A, A2C, A2E7, A2E8, A2E9, A2G7, A2R, A3A, A7E1, BHH, N1A, N1AF, N1C, N1E7, N1U, N1W7, N1W8, N1W9, N2E7, N2E8, N2E9, N2U, N3V, N5A, N5AF, N5C, N7A1, S1A, S1A1, S3A, STA1	
			-	-	-	1	-	-	-	-	-	-	-	1197181	A1E7, A1E8, A1G7, A1W7, A2E7, A2E8, A2E9, A2G7, A2G9, A7E1, N1E7, N1W7, N1W8, N1W9, N2E7, N2E8, N2E9, N7A1, S2E, S2E1	
16	16700-Z0M-782	PUMP ASSY., FUEL.....	1	1	-	1	-	-	-	-	-	-	-	-	A7E1, A7Q1, N7A1, N7S1	
17	16711-Z0L-780	STAY, FUEL PUMP.....	1	1	-	-	-	-	-	-	-	-	-	-	A7E1, N7A1, N7S1	
	16711-Z0L-781	.....	-	-	-	1	-	-	-	-	-	-	-	-	A7Q1	
	16711-Z0L-780	.....	-	-	-	1	-	-	-	-	-	-	-	2062254	A7E1, N7A1	
	16711-Z0L-781	.....	-	-	-	1	-	-	-	-	-	-	-	2062255	A7E1, N7A1	
18	16882-Z0L-780	TUBE, DIAPHRAGM.....	1	1	-	-	-	-	-	-	-	-	-	-	A7E1, N7A1, N7S1	
			-	-	-	1	-	-	-	-	-	-	-	-	A7E1, A7Q1	
			-	-	-	1	-	-	-	-	-	-	-	2075802	N7A1	
19	17701-Z0M-780	TUBE, FUEL TANK.....	1	-	-	-	-	-	-	-	-	-	-	-	A7E1, N7A1	
			-	1	-	1	-	-	-	-	-	-	-	-	A7E1, A7Q1	
			-	1	-	-	-	-	-	-	-	-	-	-	4029639	N7S1
			-	1	-	-	-	-	-	-	-	-	-	-	4029852	N7A1
	17701-Z0L-771	TUBE, FUEL TANK(FKM).....	-	1	-	-	-	-	-	-	-	-	-	4029640	N7S1	
			-	1	-	-	-	-	-	-	-	-	-	4029853	N7A1	
	17701-Z0M-780	TUBE, FUEL TANK.....	-	-	-	1	-	-	-	-	-	-	-	2075802	N7A1	
	17701-Z0L-771	TUBE, FUEL TANK(FKM).....	-	-	-	1	-	-	-	-	-	-	-	2075803	N7A1	
20	17703-Z0L-780	TUBE B, FUEL.....	1	-	-	-	-	-	-	-	-	-	-	-	A7E1, N7A1	
			-	1	-	-	-	-	-	-	-	-	-	-	2642930	A7E1, N7A1



E-12

FAN COVER(1)



ZM00E1200R

Ref. No.	Part No.	Description	Reqd. QTY									Serial No.	Parts catalogue code
			GCV 160	GCV 160 A	GCV 160 A0	GCV 160 E	GCV 160 LE	GCV 160 LA	GCV 160 LA0	GCV 160 LA1			
20)	17703-Z0L-790	TUBE B, FUEL.....	-	1	-	-	-	-	-	-	-	-----	4029639 N7S1
			-	1	-	-	-	-	-	-	-	2642931	----- A7E1
			-	1	-	-	-	-	-	-	-	2642931	4029852 N7A1
	17703-Z0L-771	TUBE B, FUEL(FKM).....	-	1	-	-	-	-	-	-	-	4029640	----- N7S1
			-	1	-	-	-	-	-	-	-	4029853	----- N7A1
	17703-Z0L-780	TUBE B, FUEL.....	-	-	-	1	-	-	-	-	-	-----	----- A7E1
	17703-Z0L-790	.....	-	-	-	1	-	-	-	-	-	-----	----- A7Q1
	17703-Z0L-780	.....	-	-	-	1	-	-	-	-	-	-----	2075802 N7A1
	17703-Z0L-771	TUBE B, FUEL(FKM).....	-	-	-	1	-	-	-	-	-	2075803	----- N7A1
21	90041-Z0M-780	BOLT, STUD.....	1	1	-	1	-	-	-	-	-	-----	----- A7E1,A7Q1,N7A1,N7S1
22	90601-Z0M-003	CLIP, PURSE LOCK.....	1	1	-	1	-	-	-	-	-	-----	----- A7E1,A7Q1,N7A1,N7S1
23	90659-680-013	CLIP, WIRE HARNESS.....	1	1	-	1	-	-	-	-	-	-----	----- A7E1,A7Q1,N7A1,N7S1
24	93894-05014-00	SCREW-WASHER, 5X14.....	2	2	-	2	-	-	-	-	-	-----	----- A7E1,A7Q1,N7A1,N7S1
25	94050-06000	NUT, FLANGE, 6MM.....	1	1	-	1	-	-	-	-	-	-----	----- A7E1,A7Q1,N7A1,N7S1
26	95002-02100	CLIP, TUBE(B10).....	4	-	-	-	-	-	-	-	-	-----	----- A7E1,N7A1
			-	4	-	4	-	-	-	-	-	-----	----- A7E1,A7Q1
			-	4	-	-	-	-	-	-	-	-----	4029639 N7S1
			-	4	-	-	-	-	-	-	-	-----	4029852 N7A1
			-	-	-	4	-	-	-	-	-	-----	2075802 N7A1
27	95002-45000	CLIP, TUBE(C8).....	1	1	-	1	-	-	-	-	-	-----	----- A7E1,A7Q1,N7A1,N7S1
28	95002-50000	CLIP, TUBE(C9).....	1	1	-	1	-	-	-	-	-	-----	----- A7E1,A7Q1,N7A1,N7S1
29	95003-25021-20	TUBE, VINYL, 9X11X210(95003-25001-10M)	1	1	-	1	-	-	-	-	-	-----	----- A7E1,A7Q1,N7A1,N7S1
30	95003-36010-20	TUBE, VINYL, 11X13X100 (95003-36001-10M)	1	1	-	1	-	-	-	-	-	-----	----- A7E1,A7Q1,N7A1,N7S1

E-12

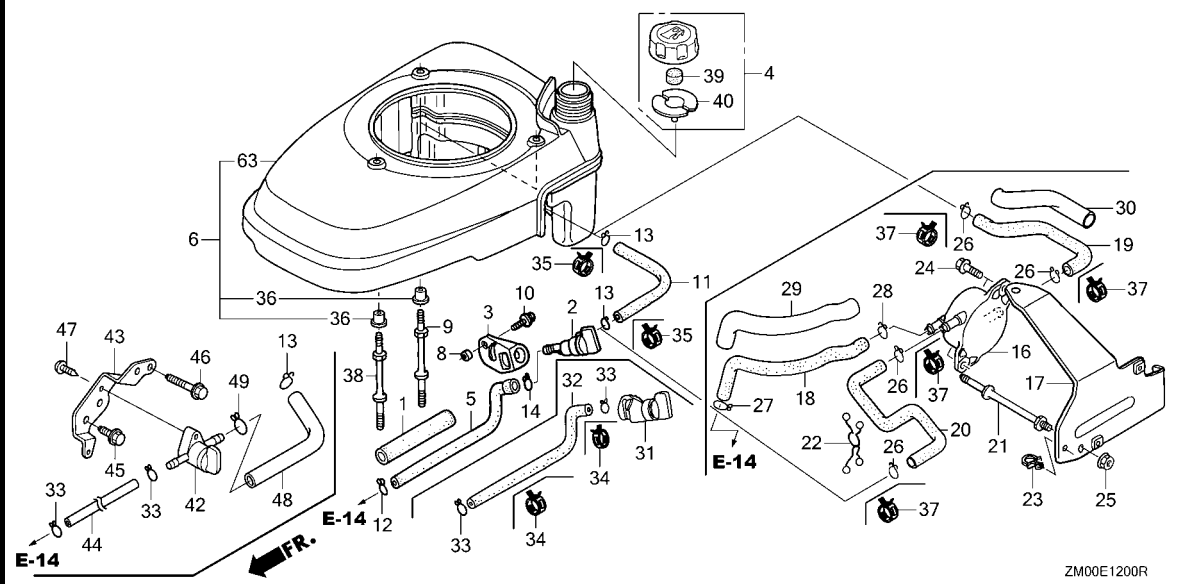
FAN COVER(1)

Ref. No.	Part No.	Description	Reqd. QTY										Serial No.	Parts catalogue code		
			GCV 160	GCV 160 A	GCV 160 A0	GCV 160 E	GCV 160 LE	GCV 160 LA	GCV 160 LA0	GCV 160 LA1						
31	16950-ZM0-003	COCK ASSY., FUEL.....	1	-	-	-	-	-	-	-	-	-	-	2439089	N1J1	
			1	-	-	-	-	-	-	-	-	-	-	-	A1A, A1C, A1E, A1E7, A1E8, A1G7, A1P, A1W2, A1W7, A2A A2C, A2E, A2E4, A2E7, A2E8, A2E9, A2G7, A2R, A3E, A7E1 N1, N1D, N1E1, N1E2, N1E7, N1R, N1U, N1W, N1W1, N1W2 N1W7, N1W8, N1W9, N2, N2E, N2E1, N2E3, N2E7, N2E8 N2E9, N2U, N3U, N3V, N7A1	
			-	1	-	-	-	-	-	-	-	-	-	-	-	A1AW, A1E, A1M, A3E, BHH1, C1E, C1E1, C2E, C2E1, C3E C3E1, C4E, C4E1, E1A2, E1A4, E1G7, E2G7, E5A4, EHHB N1E1, N1L, N1R, N3U, N5MF, N5R, N7S1, NBL1, R1A, R3A R3A1, RTL1, S1M, S2G7, S3A2, S3H, S3H2, STL1
			-	1	-	-	-	-	-	-	-	-	-	-	2510375	A1A, A1AE, A1AF, A1AS, A1C, A1E7, A1E8, A1W7, A2A, A2C A2E7, A2E8, A2E9, A2G7, A2R, A3A, A7E1, BHH, N1A, N1AF N1C, N1E7, N1U, N1W7, N1W8, N1W9, N2E7, N2E8, N2E9 N2U, N3V, N5A, N5AF, N5C, N7A1, S1A, S1A1, S3A, STA1
			-	-	1	-	-	-	-	-	-	-	-	-	-	A1AW, A1E7, A1M, A2E7, A4G4, BHH1, C1E, C1E1, C2E C2E1, C3E, C3E1, C4E, C4E1, E2G7, N1L, N1R, N3U, N3V S2G7
			-	-	1	-	-	-	-	-	-	-	-	-	1091838	S3H2
			-	-	-	1	-	-	-	-	-	-	-	-	-	A1G9, A1P, A2A9, A2G4, A2R, A3E7, A3E9, A3G9, A3T9 A3W7, A3W8, A4G4, A4G7, A4G9, A7Q1, N1D, N1E1, N1E2 N1J1, N1R, N1T8, N1T9, N2EE, N3T8, N3T9, N3W8, N3W9 S1G4, S2E3, S3G9, S4G4, S4G9
			-	-	-	1	-	-	-	-	-	-	-	-	3176791	S1E1, S2E2, S3E9, S4E4, S4E9
			-	-	-	1	-	-	-	-	-	-	-	-	1197182	A1E7, A1E8, A1G7, A1W7, A2E7, A2E8, A2E9, A2G7, A2G9 A7E1, N1E7, N1W7, N1W8, N1W9, N2E7, N2E8, N2E9, N7A1 S2E
			-	-	-	1	-	-	-	-	-	-	-	-	1197182	3176791 S2E1
32	17702-ZM0-800	TUBE, FUEL.....	1	-	-	-	-	-	-	-	-	-	-	N1J1		
			1	-	-	-	-	-	-	-	-	-	-	2439089	A1A, A1C, A1E, A1E7, A1E8, A1G7, A1P, A1W2, A1W7, A2A A2C, A2E, A2E4, A2E7, A2E8, A2E9, A2G7, A2R, A3E, A7E1 N1, N1D, N1E1, N1E2, N1E7, N1R, N1U, N1W, N1W1, N1W2 N1W7, N1W8, N1W9, N2, N2E, N2E1, N2E3, N2E7, N2E8 N2E9, N2U, N3U, N3V, N7A1	
			-	1	-	-	-	-	-	-	-	-	-	-	A1AW, BHH1, N5MF, N5R, S1M	
			-	1	-	-	-	-	-	-	-	-	-	-	A1E, A1M, A3E, C1E, C1E1, C2E, C2E1, C3E, C3E1, C4E C4E1, E1A2, E1A4, E1G7, E2G7, E5A4, EHHB, N1E1, N1L N1R, N3U, N7S1, S2G7, S3H2	
			-	1	-	-	-	-	-	-	-	-	-	-	3698326 NBL1	
			-	1	-	-	-	-	-	-	-	-	-	-	4030139 RTL1, STL1	
			-	1	-	-	-	-	-	-	-	-	-	-	4803407 S3A2, S3H	
			-	1	-	-	-	-	-	-	-	-	-	-	8020871 R1A, R3A, R3A1	
			-	1	-	-	-	-	-	-	-	-	-	-	2510375 A1E7, A1E8, A1W7, A2E7, A2E8, A2E9, A2G7, A7E1, N1E7 N1U, N1W7, N1W8, N1W9, N2E7, N2E8, N2E9, N2U, N3V	
			-	1	-	-	-	-	-	-	-	-	-	-	2510375 3698326 A1A, A1AS, A1C, A2A, A2C, A2R, BHH, N1A, N1C, N5A, N5C	
17702-Z0L-801	17702-Z0L-801	TUBE, FUEL(FKM).....	-	1	-	-	-	-	-	-	-	-	-	4029852 N7A1		
			-	1	-	-	-	-	-	-	-	-	-	2510375 4030139 S1A, S1A1, S3A, STA1		
			-	1	-	-	-	-	-	-	-	-	-	2510375 4062255 A1AE, A1AF, A3A, N1AF, N5AF		
			-	1	-	-	-	-	-	-	-	-	-	3698327 A1A, A1AS, A1C, A2A, A2C, A2R, BHH, N1A, N1C, N5A, N5C NBL1		
			-	1	-	-	-	-	-	-	-	-	-	4029853 N7A1		
			-	1	-	-	-	-	-	-	-	-	-	4030140 RTL1, S1A, S1A1, S3A, STA1, STL1		
			-	1	-	-	-	-	-	-	-	-	-	4062256 A1AE, A1AF, A3A, N1AF, N5AF		
			-	1	-	-	-	-	-	-	-	-	-	4803408 S3A2, S3H		
			-	1	-	-	-	-	-	-	-	-	-	8020872 R1A, R3A, R3A1		
			-	1	-	-	-	-	-	-	-	-	-	A1E7, A1M, A2E7, A4G4, C1E, C1E1, C2E, C2E1, C3E, C3E1 C4E, C4E1, E2G7, N1L, N1R, N3U, N3V, S2G7		
17702-Z0L-800	17702-Z0L-800	TUBE, FUEL.....	-	-	1	-	-	-	-	-	-	-	-	BHH1		
			-	-	1	-	-	-	-	-	-	-	-	1091838	S3H2	



# E-12

# FAN COVER(1)



Ref. No.	Part No.	Description	Reqd. QTY							Serial No.	Parts catalogue code		
			GCV 160	GCV 160 A	GCV 160 A0	GCV 160 E	GCV 160 LE	GCV 160 LA	GCV 160 LA0			GCV 160 LA1	
32)	17702-Z0L-802	TUBE, FUEL(FKM).....	-	-	1	-	-	-	-	-	1851725	A1AW	
	17702-ZM0-800	TUBE, FUEL.....	-	-	1	-	-	-	-	-	1851725	N1U,N2U	
			-	-	-	1	-	-	-	-	-	A1G9,A1P,A2G4,A3E7,A3E9,A3G9,A3T9,A3W7,A3W8	
			-	-	-	-	-	-	-	-	-	A4G4,A4G7,A4G9,A7Q1,N1D,N1E1,N1E2,N1J1,N1R	
			-	-	-	-	-	-	-	-	-	N1T8,N1T9,N2EE,N3T8,N3T9,N3W8,N3W9,S1G4,S2E3	
			-	-	-	-	-	-	-	-	-	S3G9,S4G4,S4G9	
			-	-	-	1	-	-	-	-	-	1762462	A2A9,A2R
			-	-	-	1	-	-	-	-	-	3176791	S1E1,S2E2,S3E9,S4E4,S4E9
			-	-	-	1	-	-	-	-	1197182	-	A1E7,A1E8,A1G7,A1W7,A2E7,A2E8,A2E9,A2G7,A2G9
			-	-	-	-	-	-	-	-	-	-	A7E1,N1E7,N1W7,N1W8,N1W9,N2E7,N2E8,N2E9,S2E
		-	-	-	1	-	-	-	-	1197182	1762462	N7A1	
		-	-	-	1	-	-	-	-	1197182	3176791	S2E1	
	17702-Z0L-801	TUBE, FUEL(FKM).....	-	-	-	1	-	-	-	1762463	-	A2A9,A2R,N7A1	



**E-12**

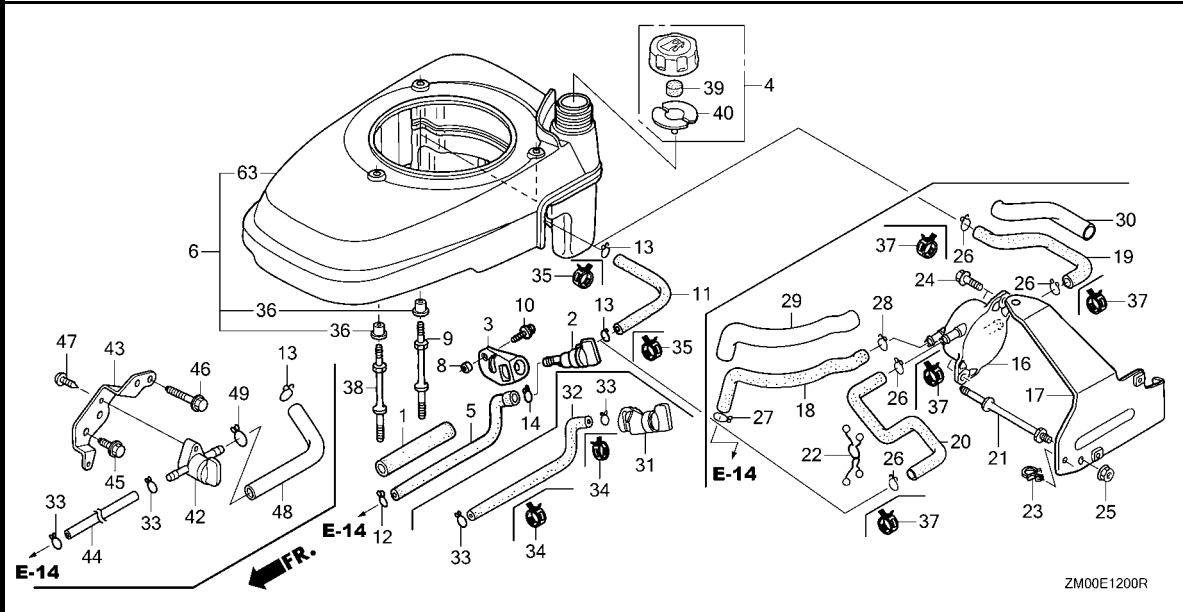
**FAN COVER(1)**

Ref. No.	Part No.	Description	Reqd. QTY							Serial No.	Parts catalogue code						
			GCV 160	GCV 160 A	GCV 160 A0	GCV 160 E	GCV 160 LE	GCV 160 LA	GCV 160 LA0			GCV 160 LA1					
33	95002-02080	CLIP, TUBE(B8).....	2	-	-	-	-	-	-	-	-----	N1J1					
			2	-	-	-	-	-	-	-	2439089	-----	A1A, A1C, A1E, A1E7, A1E8, A1G7, A1P, A1W2, A1W7, A2A A2C, A2E, A2E4, A2E7, A2E8, A2E9, A2G7, A2R, A3E, A7E1 N1, N1D, N1E1, N1E2, N1E7, N1R, N1U, N1W, N1W1, N1W2 N1W7, N1W8, N1W9, N2, N2E, N2E1, N2E3, N2E7, N2E8 N2E9, N2U, N3U, N3V, N7A1				
			-	2	-	-	-	-	-	-	-----	-----	A1E, A1M, A3E, C1E, C1E1, C2E, C2E1, C3E, C3E1, C4E C4E1, E1A2, E1A4, E1G7, E2G7, E5A4, EHHB, N1E1, N1L N1R, N3U, S2G7, S3H2				
			-	2	-	-	-	-	-	-	-----	3698326	NBL1				
			-	2	-	-	-	-	-	-	-----	4029639	N7S1				
			-	2	-	-	-	-	-	-	-----	4030139	RTL1, STL1				
			-	2	-	-	-	-	-	-	-----	4803407	S3A2, S3H				
			-	2	-	-	-	-	-	-	-----	8020871	R1A, R3A, R3A1				
			-	2	-	-	-	-	-	-	2510375	-----	A1E7, A1E8, A1W7, A2E7, A2E8, A2E9, A2G7, A7E1, N1E7 N1U, N1W7, N1W8, N1W9, N2E7, N2E8, N2E9, N2U, N3V				
			-	2	-	-	-	-	-	-	2510375	3698326	A1A, A1AS, A1C, A2A, A2C, A2R, BHH, N1A, N1C, N5A, N5C				
			-	2	-	-	-	-	-	-	2510375	4029852	N7A1				
			-	2	-	-	-	-	-	-	2510375	4030139	S1A, S1A1, S3A, STA1				
			-	2	-	-	-	-	-	-	2510375	4062255	A1AE, A1AF, A3A, N1AF, N5AF				
			-	-	2	-	-	-	-	-	-----	-----	A1E7, A1M, A2E7, A4G4, C1E, C1E1, C2E, C2E1, C3E, C3E1 C4E, C4E1, E2G7, N1L, N1R, N3U, N3V, S2G7, S3H2				
			-	-	2	-	-	-	-	-	-----	1851725	N1U, N2U				
			-	-	-	2	-	-	-	-	-----	-----	A1G9, A1P, A2G4, A3E7, A3E9, A3G9, A3T9, A3W7, A3W8 A4G4, A4G7, A4G9, A7Q1, N1D, N1E1, N1E2, N1J1, N1R N1T8, N1T9, N2EE, N3T8, N3T9, N3W8, N3W9, S1E1, S1G4 S2E2, S2E3, S3E9, S3G9, S4E4, S4E9, S4G4, S4G9, S4H4				
			-	-	-	2	-	-	-	-	-----	1762462	A2A9, A2R				
			-	-	-	2	-	-	-	-	1197182	-----	A1E7, A1E8, A1G7, A1W7, A2E7, A2E8, A2E9, A2G7, A2G9 A7E1, N1E7, N1W7, N1W8, N1W9, N2E7, N2E8, N2E9, S2E S2E1				
			-	-	-	2	-	-	-	-	1197182	1762462	N7A1				
			34	95002-40800-08	CLAMP, TUBE(D8).....	-	-	-	2	-	-	-	-	-----	A1AW, BHH1, N5MF, N5R, S1M		
						-	2	-	-	-	-	-	-	-----	3698327	-----	A1A, A1AS, A1C, A2A, A2C, A2R, BHH, N1A, N1C, N5A, N5C NBL1
						-	2	-	-	-	-	-	-	-----	4029640	N7S1	
						-	2	-	-	-	-	-	-	-----	4029853	N7A1	
-	2	-				-	-	-	-	-	-----	4030140	RTL1, S1A, S1A1, S3A, STA1, STL1				
-	2	-				-	-	-	-	-	-----	4062256	A1AE, A1AF, A3A, N1AF, N5AF				
-	2	-				-	-	-	-	-	-----	4803408	S3A2, S3H				
-	2	-				-	-	-	-	-	-----	8020872	R1A, R3A, R3A1				
-	-	2				-	-	-	-	-	-----	-----	BHH1				
-	-	2				-	-	-	-	-	-----	1851725	A1AW				
-	-	-				2	-	-	-	-	-----	1762463	A2A9, A2R, N7A1				
35	95002-41000-08	CLAMP, TUBE(D10).....				-	2	-	-	-	-	-	-----	-----	A1AW, BHH1, N5MF, N5R, S1M		
						-	2	-	-	-	-	-	-	3698327	-----	A1A, A1AS, A1C, A2A, A2C, A2R, BHH, N1A, N1C, N5A, N5C NBL1	
			-	2	-	-	-	-	-	-	-----	4030140	-----	RTL1, S1A, S1A1, S3A, STA1, STL1			
			-	2	-	-	-	-	-	-	-----	4062256	-----	A1AE, A1AF, A3A, N1AF, N5AF			
			-	2	-	-	-	-	-	-	-----	4803408	-----	S3A2, S3H			
			-	2	-	-	-	-	-	-	-----	8020872	-----	R1A, R3A, R3A1			
			-	-	2	-	-	-	-	-	-----	-----	BHH1				
			-	-	2	-	-	-	-	-	-----	1851725	A1AW				
			-	-	-	2	-	-	-	-	-----	2075803	-----	A2R			



E-12

FAN COVER(1)



Ref. No.	Part No.	Description	Reqd. QTY									Serial No.	Parts catalogue code		
			GCV 160	GCV 160 A	GCV 160 A0	GCV 160 E	GCV 160 LE	GCV 160 LA	GCV 160 LA0	GCV 160 LA1					
36	19619-ZL8-300	COLLAR, FAN COVER .....	3	3	-	-	-	-	-	-	-	-	-	-	A1E7, A1M, A2E7, BHH1, C1E, C1E1, C2E, C2E1, C3E, C3E1, C4E, C4E1, E2G7, N1L, N1R, N3U, N3V, S2G7, S3H2
			-	-	3	-	-	-	-	-	-	-	-	1851725	A1AW, N1U, N2U
			-	-	-	3	-	-	-	-	-	-	-	-	A1E7, A1E8, A1G7, A1G9, A1P, A1W7, A2A9, A2E7, A2E8, A2E9, A2G4, A2G7, A2G9, A2R, A3E7, A3E9, A3G9, A3T9, A3W7, A3W8, A4G4, A4G7, A4G9, A7E1, A7Q1, N1D, N1E1, N1E2, N1E7, N1J1, N1R, N1T8, N1T9, N1W7, N1W8, N1W9, N2E7, N2E8, N2E9, N2EE, N3T8, N3T9, N3W8, N3W9, N7A1, S1E1, S1G4, S2E, S2E1, S2E2, S2E3, S3E9, S3G9, S4E4, S4E9, S4G4, S4G9, S4H4
37	95002-41000-08	CLAMP, TUBE(D10) .....	-	4	-	-	-	-	-	-	-	-	4029640	-	N7S1
			-	4	-	-	-	-	-	-	-	-	4029853	-	N7A1
			-	-	-	4	-	-	-	-	-	-	2075803	-	N7A1
38	90043-ZL8-000	BOLT, STUD(H=42.5MM) .....	1	1	-	-	-	-	-	-	-	-	-	-	A1A, A1AE, A1AF, A1AS, A1AW, A1C, A1E, A1E7, A1E8, A1G7, A1J, A1M, A1P, A1U, A1W2, A1W7, A2A, A2C, A2E, A2E4, A2E7, A2E8, A2E9, A2G7, A2R, A2U, A3A, A3E, A4E, A7E1, BHH, BHH1, E1A2, E1A4, E1G7, E2G7, E5A4, EHHB, N1, N1A, N1AF, N1C, N1D, N1E1, N1E2, N1E7, N1J1, N1L, N1R, N1U, N1W, N1W1, N1W2, N1W7, N1W8, N1W9, N2, N2D, N2E, N2E1, N2E2, N2E3, N2E7, N2E8, N2E9, N2U, N3U, N3V, N5A, N5AF, N5C, N5MF, N5R, N7A1, N7S1, NBL1, R1A, R3A, R3A1, RTL1, S1A, S1A1, S1M, S2G7, S3A, S3A2, S3H, S3H2, STA1, STL1
	90043-Z0L-820	BOLT, STUD(H=37.5MM) .....	-	1	1	-	-	-	-	-	-	-	-	-	C1E, C1E1, C2E, C2E1, C3E, C3E1, C4E, C4E1
	90043-Z8D-010	BOLT, STUD(FAN COVER) .....	-	-	1	-	-	-	-	-	-	-	-	-	A4G4
	90043-Z0J-900	BOLT, STUD(H=39.5MM) .....	-	-	1	-	-	-	-	-	-	-	1516511	-	BHH1, N1L
	90043-ZL8-000	BOLT, STUD(H=42.5MM) .....	-	-	1	-	-	-	-	-	-	-	1527823	-	A1AW, A1E7, A1M, A2E7, E2G7, N1R, N1U, N2U, N3U, N3V, S2G7, S3H2



**E-12**

**FAN COVER(1)**

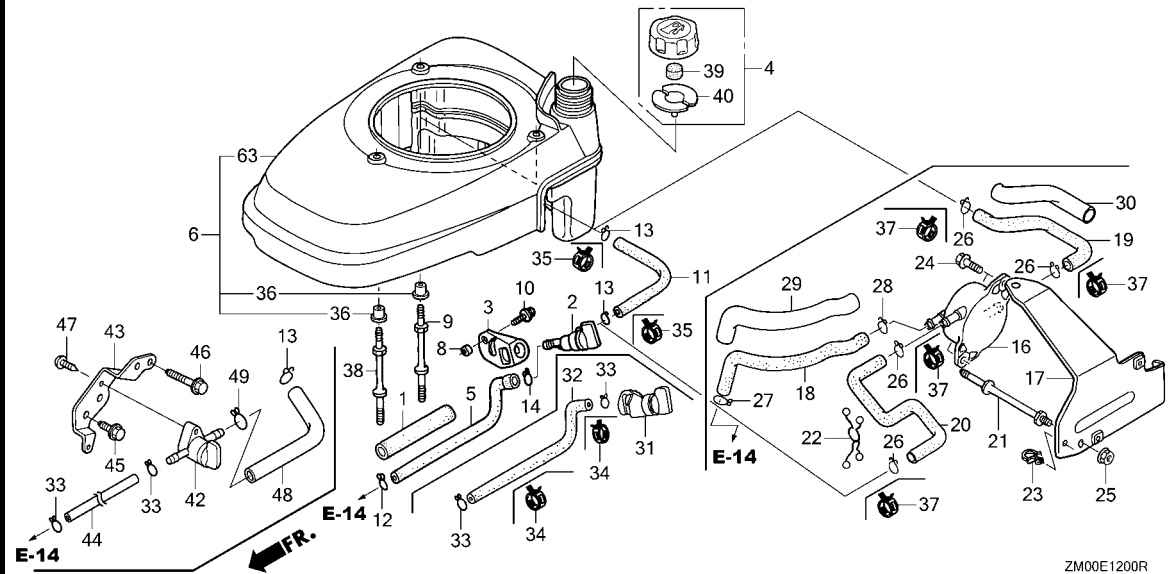
Ref. No.	Part No.	Description	Reqd. QTY										Serial No.	Parts catalogue code	
			GCV 160	GCV 160 A	GCV 160 A0	GCV 160 E	GCV 160 LE	GCV 160 LA	GCV 160 LA0	GCV 160 LA1					
38)	90043-Z8B-900	BOLT, STUD(FAN COVER) .....	-	-	1	-	-	-	-	-	-	-	1516512	-----	BHH1,N1L
	90043-Z8B-000	.....	-	-	1	-	-	-	-	-	-	-	1527824	-----	A1E7,A1M,A2E7,E2G7,N1R,N3U,N3V,S2G7,S3H2
			-	-	1	-	-	-	-	-	-	-	1527824	1851725	A1AW,N1U,N2U
	90043-ZL8-000	BOLT, STUD(H=42.5MM) .....	-	-	-	1	-	-	-	-	-	-	-----	A1E7,A1E8,A1G7,A1W7,A2A9,A2E7,A2E8,A2E9,A2R	
			-	-	-	-	-	-	-	-	-	-	-----	N1D,N1E1,N1E2,N1E7,N1R,N1T8,N1W8,N1W9,N2E9	
			-	-	-	-	-	-	-	-	-	-	-----	N3T9,N7A1,S2E	
	90041-Z1L-000	BOLT, STUD .....	-	-	-	1	-	-	-	-	-	-	-----	A7Q1,S4H4	
	90043-ZL8-000	BOLT, STUD(H=42.5MM) .....	-	-	-	1	-	-	-	-	-	-	-----	3176791	
			-	-	-	-	-	-	-	-	-	-	-----	A1G9,A1P,A2G4,A2G7,A2G9,A3E7,A3E9,A3G9,A3T9	
			-	-	-	-	-	-	-	-	-	-	-----	A3W7,A3W8,A4G4,A4G7,A4G9,A7E1,N1J1,N1T9,N1W7	
39	17622-ZL8-003	SPONGE, FUEL CAP BREATHER .....	1	-	-	-	-	-	-	-	-	-	-----	N2E7,N2E8,N2EE,N3T8,N3W8,N3W9,S1E1,S1G4,S2E1	
	17622-888-010	.....	-	1	-	-	-	-	-	-	-	-	-----	S2E2,S2E3,S3E9,S3G9,S4E4,S4E9,S4G4,S4G9	
	17622-ZL8-003	.....	-	1	-	-	-	-	-	-	-	-	-----	A1G9,A1P,A2G4,A2G7,A2G9,A3E7,A3E9,A3G9,A3T9	
			-	1	-	-	-	-	-	-	-	-	-----	A3W7,A3W8,A4G4,A4G7,A4G9,A7E1,N1J1,N1T9,N1W7	
			-	1	-	-	-	-	-	-	-	-	-----	N2E7,N2E8,N2EE,N3T8,N3W8,N3W9,S1E1,S1G4,S2E1	
			-	1	-	-	-	-	-	-	-	-	-----	S2E2,S2E3,S3E9,S3G9,S4E4,S4E9,S4G4,S4G9	
			-	1	-	-	-	-	-	-	-	-	-----	A1AW,C3E,C3E1,C4E,C4E1	
			-	1	-	-	-	-	-	-	-	-	-----	A1C,A1E,A1E8,A1W7,A2A,A2C,A2E8,A2E9,A2G7,A3A	
			-	1	-	-	-	-	-	-	-	-	-----	A3E,A7E1,C1E,C1E1,C2E,C2E1,E1A2,E1A4,E1G7	
			-	1	-	-	-	-	-	-	-	-	-----	E2G7,E5A4,EHHB,N1C,N1E1,N1E7,N1W7,N1W8,N1W9	
40	17624-ZL8-003	PACKING, FUEL CAP .....	1	-	-	-	-	-	-	-	-	-	-----	N2E7,N2E8,N2E9,N3V,N5C,R1A,R3A,R3A1,S1A1,STA1	
	17624-ZE7-000	.....	-	1	-	-	-	-	-	-	-	-	-----	A1A,A1AE,A1AF,A1AS,A1E7,A1M,A2E7,A2R,BHH,BHH1	
	17624-ZL8-003	.....	-	1	-	-	-	-	-	-	-	-	-----	N1A,N1AF,N1L,N1R,N1U,N2U,N3U,N5A,N5AF,N5MF	
			-	1	-	-	-	-	-	-	-	-	-----	N5R,N7A1,N7S1,NBL1,RTL1,S1A,S1M,S2G7,S3A,S3A2	
			-	1	-	-	-	-	-	-	-	-	-----	S3H,S3H2,STL1	
			-	1	-	-	-	-	-	-	-	-	-----	A1A,A1AE,A1AF,A1AS,A1E7,A1M,A2E7,A2R,BHH,BHH1	
			-	1	-	-	-	-	-	-	-	-	-----	N1A,N1AF,N1L,N1R,N1U,N2U,N3U,N5A,N5AF,N5MF	
			-	1	-	-	-	-	-	-	-	-	-----	N5R,N7A1,N7S1,NBL1,RTL1,S1A,S1M,S2G7,S3A,S3A2	
			-	1	-	-	-	-	-	-	-	-	-----	S3H,S3H2,STL1	
			-	1	-	-	-	-	-	-	-	-	-----	A1E7,A1M,A2E7,A4G4,BHH1,C1E,C1E1,C2E,C2E1,C3E	





# E-12

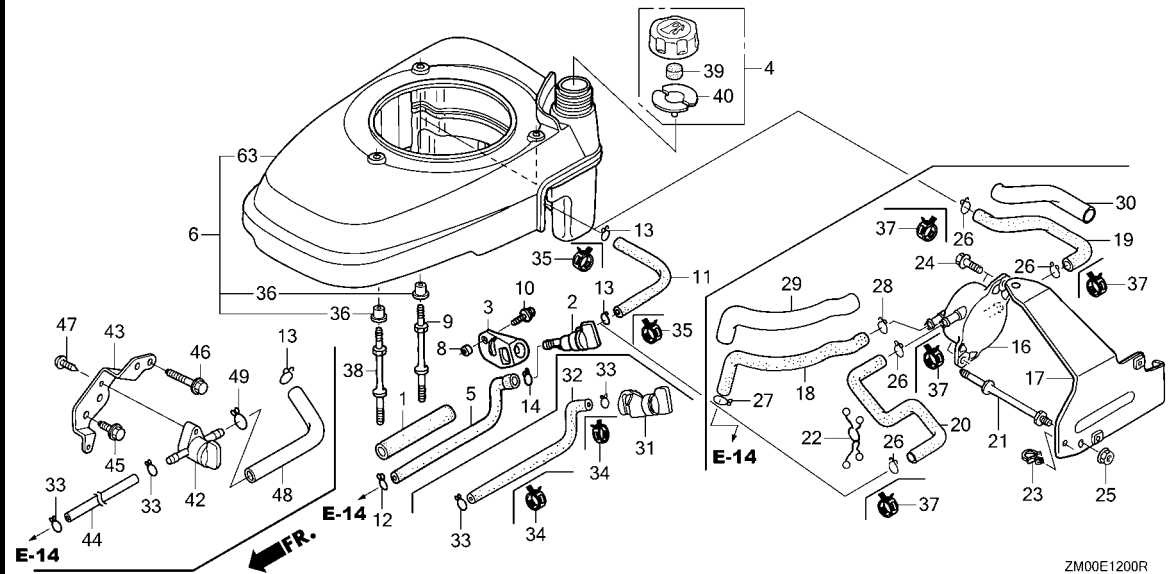
# FAN COVER(1)



Ref. No.	Part No.	Description	Reqd. QTY									Serial No.	Parts catalogue code
			GCV 160	GCV 160 A	GCV 160 A0	GCV 160 E	GCV 160 LE	GCV 160 LA	GCV 160 LA0	GCV 160 LA1			
40)	17624-ZE7-000	PACKING, FUEL CAP .....	-	1	-	-	-	-	-	-	5062542	-----	A1A, A1AE, A1AF, A1AS, A1E7, A1M, A2E7, A2R, BHH, BHH1 N1A, N1AF, N1L, N1R, N1U, N2U, N3U, N5A, N5AF, N5MF N5R, N7A1, N7S1, NBL1, RTL1, S1A, S1M, S2G7, S3A, S3A2 S3H, S3H2, STL1 ----- A1E7, A1M, A2E7, A4G4, BHH1, C1E, C1E1, C2E, C2E1, C3E C3E1, C4E, C4E1, E2G7, N1L, N1R, N3U, N3V, S2G7, S3H2 ----- 1851725 ----- A1AW, N1U, N2U ----- A1E7, A1E8, A1G7, A1G9, A1P, A1W7, A2A9, A2E7, A2E8 A2E9, A2G4, A2G7, A2G9, A2R, A3E7, A3E9, A3G9, A3T9 A3W7, A3W8, A4G4, A4G7, A4G9, A7E1, A7Q1, N1D, N1E1 N1E2, N1E7, N1J1, N1R, N1T8, N1T9, N1W7, N1W8, N1W9 N2E7, N2E8, N2E9, N2EE, N3T8, N3T9, N3W8, N3W9, N7A1 S1E1, S1G4, S2E, S2E1, S2E2, S2E3, S3E9, S3G9, S4E4 S4E9, S4G4, S4G9, S4H4
42	16950-Z0Y-003	COCK ASSY., FUEL .....	-	-	1	-	-	-	-	-	1091839	-----	S3H2 ----- S4H4
43	16961-Z0L-900 16961-Z0M-000	STAY, FUEL COCK .....	-	-	1	-	-	-	-	-	3176792 1091839	-----	S1E1, S2E1, S2E2, S3E9, S4E4, S4E9 ----- S3H2 ----- S4H4
44	17701-Z0Y-M50	TUBE, FUEL TANK .....	-	-	1	-	-	-	-	-	3176792 1091839	-----	S1E1, S2E1, S2E2, S3E9, S4E4, S4E9 ----- S3H2 ----- S4H4
45	90013-883-000 90013-Z1L-000 90013-883-000 90013-Z1L-000	BOLT, FLANGE, 6X12(CT200) .... BOLT, FLANGE, 6X13 .....	-	-	1	-	-	-	-	-	3176792 1091839	-----	S1E1, S2E1, S2E2, S3E9, S4E4, S4E9 ----- S3H2 ----- S4H4
		BOLT, FLANGE, 6X12(CT200) .... BOLT, FLANGE, 6X13 .....	-	-	-	1	-	-	-	-	3176792 3346681	3346680 -----	S1E1, S2E1, S2E2, S3E9, S4E4, S4E9 ----- S1E1, S2E1, S2E2, S3E9, S4E4, S4E9

# E-12

# FAN COVER(1)



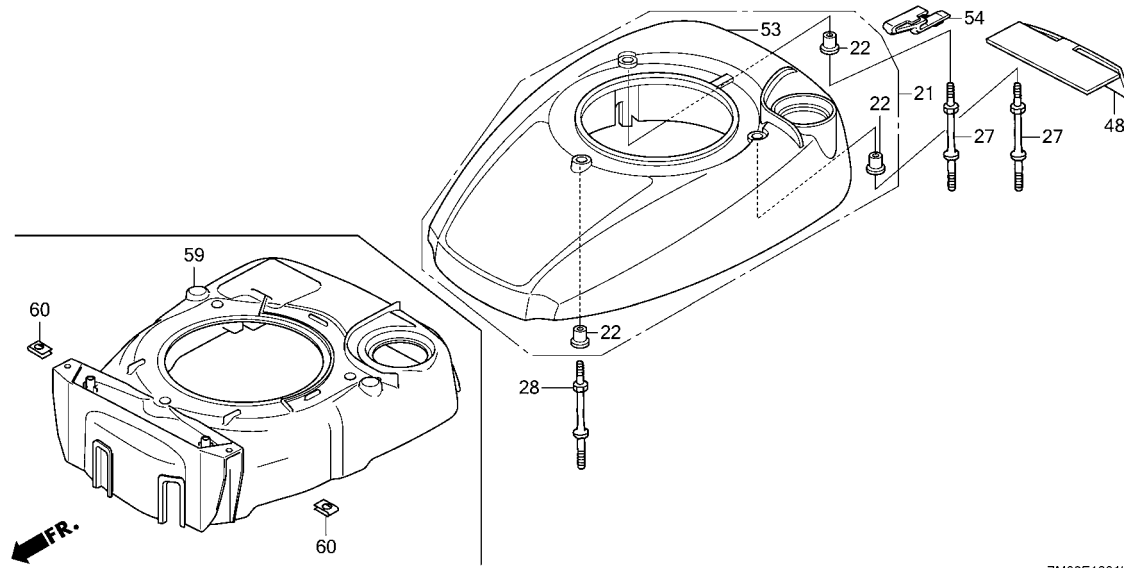
ZM00E1200R

Ref. No.	Part No.	Description	Reqd. QTY								Serial No.	Parts catalogue code
			GCV 160	GCV 160 A	GCV 160 A0	GCV 160 E	GCV 160 LE	GCV 160 LA	GCV 160 LA0	GCV 160 LA1		
46	90015-883-000	BOLT, FLANGE, 6X28(CT200).....	-	-	1	-	-	-	-	-	1091839	----- S3H2 ----- S4H4
47	93913-25220	SCREW, TAPPING, 5X12(PO).....	-	-	-	1	-	-	-	-	3176792 1091839	----- S1E1,S2E1,S2E2,S3E9,S4E4,S4E9 ----- S3H2 ----- S4H4
48	95001-45110-40	TUBE, FUEL, 4.5X110 (95001-45001-60M)	-	-	1	-	-	-	-	-	1091839	----- S3H2 ----- S4H4
49	95002-02120	CLIP, TUBE(B12).....	-	-	-	1	-	-	-	-	3176792 1091839	----- S1E1,S2E1,S2E2,S3E9,S4E4,S4E9 ----- S3H2 ----- S4H4
63	19610-Z1L-E00ZA	COVER COMP., FAN *NH1*.....BLACK	-	-	-	1	-	-	-	-	3176792	----- S1E1,S2E1,S2E2,S3E9,S4E4,S4E9 ----- A4G4



# E-12-1

# FAN COVER(2)



ZM00E1201H

Ref. No. L.O.N. (Relative ref. Number) Description F.R.T.

Ref. No.	Part No.	Description	Reqd. QTY							Serial No.	Parts catalogue code	
			GCV 160	GCV 160 A	GCV 160 A0	GCV 160 E	GCV 160 LE	GCV 160 LA	GCV 160 LA0			GCV 160 LA1
21	19610-Z0L-851ZA	COVER COMP., FAN *NH1*.....BLACK	-	-	1	-	-	-	-	-	1887895	N5RE,S3TE,SBTE A3HV,A4EV
	19610-Z0L-870ZA	*NH1*.....BLACK	-	-	-	-	-	1	-	-	-	E1A2
	19610-Z0L-870ZB	*R280*.....POWER RED	-	-	-	-	-	1	-	-	-	E1A2
	19610-Z0L-851ZA	*NH1*.....BLACK	-	-	-	-	-	1	-	-	-	N5R
	19610-Z0L-850ZA	*NH1*.....BLACK	-	-	-	-	-	1	-	-	6702082	A1A,A1AF,A2R,BHH,N1A,N1AF,N5AF,N5MF,N7A1,N7S1 S3H
	19610-Z0L-850ZB	*T89*.....CRAFTSMAN RED	-	-	-	-	-	1	-	-	6702082	BHH
	19610-Z0L-850ZC	*T93*.....HUSQVARNA GRAY	-	-	-	-	-	1	-	-	6702082	BHH
	19610-Z0L-850ZE	*R280*.....POWER RED	-	-	-	-	-	1	-	-	6702082	N5R
	19610-Z0L-860ZA	*NH1*.....BLACK	-	-	-	-	-	1	-	-	6702082	S1A,S3A
	19610-Z0L-850ZD	*T98*.....MTD RED	-	-	-	-	-	1	-	-	6702082	S1M,S3H
	19610-Z0L-860ZC	*T89*.....CRAFTSMAN RED	-	-	-	-	-	1	-	-	6702082	S3A
	19610-Z0L-860ZD	*T93*.....HUSQVARNA GRAY	-	-	-	-	-	1	-	-	6702082	S3A
	19610-Z0L-860ZE	*T98*.....MTD RED	-	-	-	-	-	1	-	-	6702082	S3A
	19610-Z0L-880ZA	*NH1*.....BLACK	-	-	-	-	-	1	-	-	8026920	R3A
	19610-Z0L-880ZB	*R280*.....POWER RED	-	-	-	-	-	1	-	-	8026920	R3A
	19610-Z0L-880ZC	*T89*.....CRAFTSMAN RED	-	-	-	-	-	1	-	-	8026920	R3A
	19610-Z0L-880ZD	*T90*.....EHP ORANGE	-	-	-	-	-	1	-	-	8026920	R3A
	19610-Z0L-880ZE	*Y166R*.....WOLF YELLOW	-	-	-	-	-	1	-	-	8026920	R3A
	19610-Z0L-851ZA	*NH1*.....BLACK	-	-	-	-	-	1	-	6702083	-	A1A,A1AF,A2R,BHH,N1A,N1AF,N5AF,N5MF,N7A1,N7S1 S3H
	19610-Z0L-851ZB	*T89*.....CRAFTSMAN RED	-	-	-	-	-	1	-	6702083	-	BHH
	19610-Z0L-851ZC	*T93*.....HUSQVARNA GRAY	-	-	-	-	-	1	-	6702083	-	BHH
	19610-Z0L-851ZE	*R280*.....POWER RED	-	-	-	-	-	1	-	6702083	-	N5R
	19610-Z0L-861ZA	*NH1*.....BLACK	-	-	-	-	-	1	-	6702083	-	S1A,S3A
	19610-Z0L-851ZD	*T98*.....MTD RED	-	-	-	-	-	1	-	6702083	-	S1M,S3H

# E-12-1

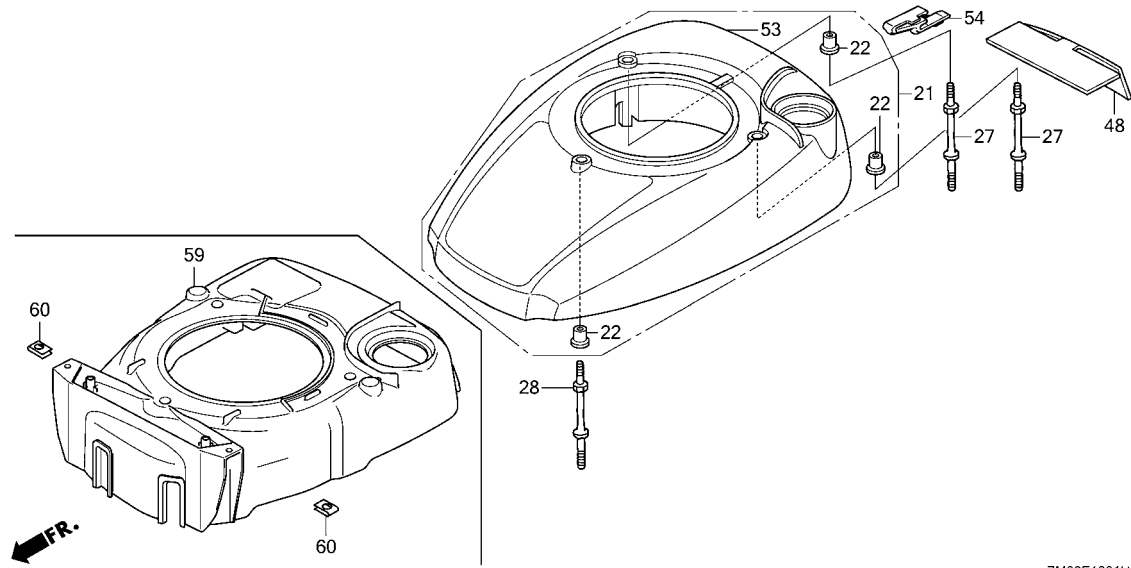
# FAN COVER(2)

Ref. No.	Part No.	Description	Reqd. QTY										Serial No.	Parts catalogue code
			GCV 160	GCV 160 A	GCV 160 A0	GCV 160 E	GCV 160 LE	GCV 160 LA	GCV 160 LA0	GCV 160 LA1				
21)	19610-Z0L-861ZC	COVER COMP., FAN												
		*T89*.....CRAFTSMAN RED	-	-	-	-	-	-	1	-	-	6702083	-----	S3A
	19610-Z0L-861ZD	*T93*.....HUSQVARNA GRAY	-	-	-	-	-	-	1	-	-	6702083	-----	S3A
	19610-Z0L-861ZE	*T98*.....MTD RED	-	-	-	-	-	-	1	-	-	6702083	-----	S3A
	19610-Z0L-881ZA	*NH1*.....BLACK	-	-	-	-	-	-	1	-	-	8026921	-----	R3A
	19610-Z0L-881ZB	*R280*.....POWER RED	-	-	-	-	-	-	1	-	-	8026921	-----	R3A
	19610-Z0L-881ZC	*T89*.....CRAFTSMAN RED	-	-	-	-	-	-	1	-	-	8026921	-----	R3A
	19610-Z0L-881ZD	*T90*.....EHP ORANGE	-	-	-	-	-	-	1	-	-	8026921	-----	R3A
	19610-Z0L-881ZE	*Y166R*.....WOLF YELLOW	-	-	-	-	-	-	1	-	-	8026921	-----	R3A
	19610-Z0L-851ZA	*NH1*.....BLACK	-	-	-	-	-	-	1	-	-	-----	A1AF,N7A1	
	19610-Z0L-871ZA	*NH1*.....BLACK	-	-	-	-	-	-	1	-	-	-----	E1A2	
	19610-Z0L-871ZB	*R280*.....POWER RED	-	-	-	-	-	-	1	-	-	-----	E1A2	
	19610-Z0L-861ZA	*NH1*.....BLACK	-	-	-	-	-	-	1	-	-	-----	S1A	
	19610-Z0L-851ZD	*T98*.....MTD RED	-	-	-	-	-	-	1	-	-	-----	S1M	
	19610-Z0L-851ZA	*NH1*.....BLACK	-	-	-	-	-	-	1	-	-	3499206	A1A,A2R,BHH,N1A,N1AF,N5AF,N5MF,N7S1,S3H,S3T	
													SBT	
	19610-Z0L-851ZB	*T89*.....CRAFTSMAN RED	-	-	-	-	-	-	1	-	-	3499206	BHH	
	19610-Z0L-851ZC	*T93*.....HUSQVARNA GRAY	-	-	-	-	-	-	1	-	-	3499206	BHH	
	19610-Z0L-851ZE	*R280*.....POWER RED	-	-	-	-	-	-	1	-	-	3499206	N5R,N5RB	
	19610-Z0L-851ZG	*T98B*.....MTD RED	-	-	-	-	-	-	1	-	-	3499206	S3H	
	19610-Z0L-861ZA	*NH1*.....BLACK	-	-	-	-	-	-	1	-	-	3574736	S3A	
	19610-Z0L-861ZC	*T89*.....CRAFTSMAN RED	-	-	-	-	-	-	1	-	-	3574736	S3A	
	19610-Z0L-861ZD	*T93*.....HUSQVARNA GRAY	-	-	-	-	-	-	1	-	-	3574736	S3A	
	19610-Z0L-861ZF	*T98B*.....MTD RED	-	-	-	-	-	-	1	-	-	3574736	S3A	
	19610-Z0L-881ZA	*NH1*.....BLACK	-	-	-	-	-	-	1	-	-	3634153	R3A	
	19610-Z0L-881ZB	*R280*.....POWER RED	-	-	-	-	-	-	1	-	-	3634153	R3A	
	19610-Z0L-881ZC	*T89*.....CRAFTSMAN RED	-	-	-	-	-	-	1	-	-	3634153	R3A	
	19610-Z0L-881ZD	*T90*.....EHP ORANGE	-	-	-	-	-	-	1	-	-	3634153	R3A	
	19610-Z0L-881ZE	*Y166R*.....WOLF YELLOW	-	-	-	-	-	-	1	-	-	3634153	R3A	
22	19619-ZL8-300	COLLAR, FAN COVER			3							1887895	N5RE,S3TE,SBTE	
						3						-----	A3HV,A4EV	
							3					-----	A1AF,E1A2,N7A1,S1A,S1M	
								3				3499206	A1A,A2R,BHH,N1A,N1AF,N5AF,N5MF,N5R,N5RB,N7S1	
									3			-----	S3H,S3T,SBT	
									3			-----	R3A	
									3			-----	3634153	
												-----	A1G7,A1UV,A2UA,A3G7,A3HV,A3T9,A4G7,A7H1,A7Q1	
27	90043-Z8D-010	BOLT, STUD(FAN COVER)			2							-----	A7Q1/A,G5AF,G5B,G5BR,G5MF,N1U/A,N2EE,N2KE	
												-----	N3T8,N5B,N5BR,NBHT,R3L,R3LE,S3AL,S3B,S3DB	
												-----	S3HB,S3L,S3LB,S3LE,S4BB,S4G7,S4GB,S4HB,S4LE	
												-----	SBA,SBH,SBHE,SBT	
	90043-ZL8-000	BOLT, STUD(H=42.5MM)			2							1527823	N5RE,S3TE	
	90043-Z8B-000	BOLT, STUD(FAN COVER)			2							1887895	SBTE	
												1527824	N5RE,S3TE	
	90043-Z8D-010				2							1851726	A1AW,N1U,N2U	
												1887896	N5RE,S3TE,SBTE	
						2						-----	A3HV,A4EV	
	90041-Z1L-000	BOLT, STUD				2						-----	3176791	
	90043-ZL8-000	BOLT, STUD(H=42.5MM)					2					-----	3176792	
	90041-Z1L-000	BOLT, STUD					2					-----		
	90043-ZL8-000	BOLT, STUD(H=42.5MM)						2				-----	A1AF,E1A2,N7A1,S1A,S1M	
									2			3499206	A1A,A2R,BHH,N1A,N1AF,N5AF,N5MF,N5R,N5RB,N7S1	
										2		-----	S3H,S3T,SBT	
										2		-----	R3A	
										2		-----	3634153	
												-----	S3A	



# E-12-1

# FAN COVER(2)



ZM00E1201H

Ref. No.	Part No.	Description	Reqd. QTY							Serial No.	Parts catalogue code	
			GCV 160	GCV 160 A	GCV 160 A0	GCV 160 E	GCV 160 LE	GCV 160 LA	GCV 160 LA0			GCV 160 LA1
27)	90043-Z8D-010	BOLT, STUD(FAN COVER) .....	-	-	-	-	-	-	2	-	3499207	----- A1A, A2R, BHH, N1A, N1AF, N5AF, N5MF, N5R, N5RB, N7S1 S3H, S3T, SBT
			-	-	-	-	-	-	2	-	3574737	----- R3A
			-	-	-	-	-	-	2	-	3634154	----- S3A
			-	-	-	-	-	-	2	-		
28	90043-Z8B-910	BOLT, STUD(FAN COVER) .....	-	-	1	-	-	-	1	1	-----	----- G5B, G5B/A, G5BR, G5BR/A, N5B, N5B/A, N5BR, N5BR/A S3AL, S3B, S3B/A, S3DB, S3HB, S3LB, S3LB/A, S4BB S4GB, S4HB
	90043-Z8D-010	.....	-	-	1	-	-	-	1	-	-----	----- A1G7, A1UV, A2UA, A3G7, A3HV, A3T9, A4G7, A7H1, A7Q1 A7Q1/A, G5AF, G5MF, N1U/A, N2EE, N2KE, N3T8, NBHT R3L, R3LE, S3L, S3LE, S4G7, S4LE, SBA, SBH, SBHE, SBL
	90043-Z0J-900	BOLT, STUD(H=39.5MM) .....	-	-	1	-	-	-	-	-	-----	----- 1516511 N5RE
	90043-ZL8-000	BOLT, STUD(H=42.5MM) .....	-	-	1	-	-	-	-	-	-----	----- 1527823 S3TE
	90043-Z8D-901	BOLT, STUD(FAN COVER) .....	-	-	1	-	-	-	-	-	-----	----- 2068083 SBTE
	90043-Z8B-900	.....	-	-	1	-	-	-	-	-	-----	----- 1516512 1887895 N5RE
	90043-Z8B-000	.....	-	-	1	-	-	-	-	-	-----	----- 1527824 1887895 S3TE
	90043-Z8D-010	.....	-	-	1	-	-	-	-	-	-----	----- 1851726 ----- A1AW, N1U, N2U
			-	-	1	-	-	-	-	-	-----	----- 1887896 ----- S3TE
	90043-Z8D-901	.....	-	-	1	-	-	-	-	-	-----	----- 1887896 2068083 N5RE
	90043-Z8D-010	.....	-	-	1	-	-	-	-	-	-----	----- 2068084 ----- N5RE, SBTE
	90041-Z1L-000	BOLT, STUD .....	-	-	-	1	-	-	-	-	-----	----- ----- A3HV, A4EV
	90043-ZL8-000	BOLT, STUD(H=42.5MM) .....	-	-	-	-	1	-	-	-	-----	----- ----- 3176791
	90041-Z1L-000	BOLT, STUD .....	-	-	-	-	1	-	-	-	-----	----- ----- 3176792
	90043-ZL8-000	BOLT, STUD(H=42.5MM) .....	-	-	-	-	-	1	-	-	-----	----- ----- A1A, A1AF, E1A2, N7A1, N7S1, R3A, S1A, S1M, S3A, S3H
			-	-	-	-	-	1	-	-	-----	----- ----- 6702082 A2R, BHH, N1A, N1AF, N5AF, N5MF, N5R
	90043-Z0J-900	BOLT, STUD(H=39.5MM) .....	-	-	-	-	-	1	-	-	-----	----- ----- 6702083 A2R, BHH, N1A, N1AF, N5AF, N5MF, N5R
	90043-ZL8-000	BOLT, STUD(H=42.5MM) .....	-	-	-	-	-	1	-	-	-----	----- ----- A1AF, E1A2, N7A1, S1A, S1M
			-	-	-	-	-	1	-	-	-----	----- ----- 3499206 A1A, N7S1, S3H, S3T
	90043-Z0J-900	BOLT, STUD(H=39.5MM) .....	-	-	-	-	-	1	-	-	-----	----- ----- 3499206 A2R, BHH, N1A, N1AF, N5AF, N5MF, N5R, N5RB, SBT



# E-12-1

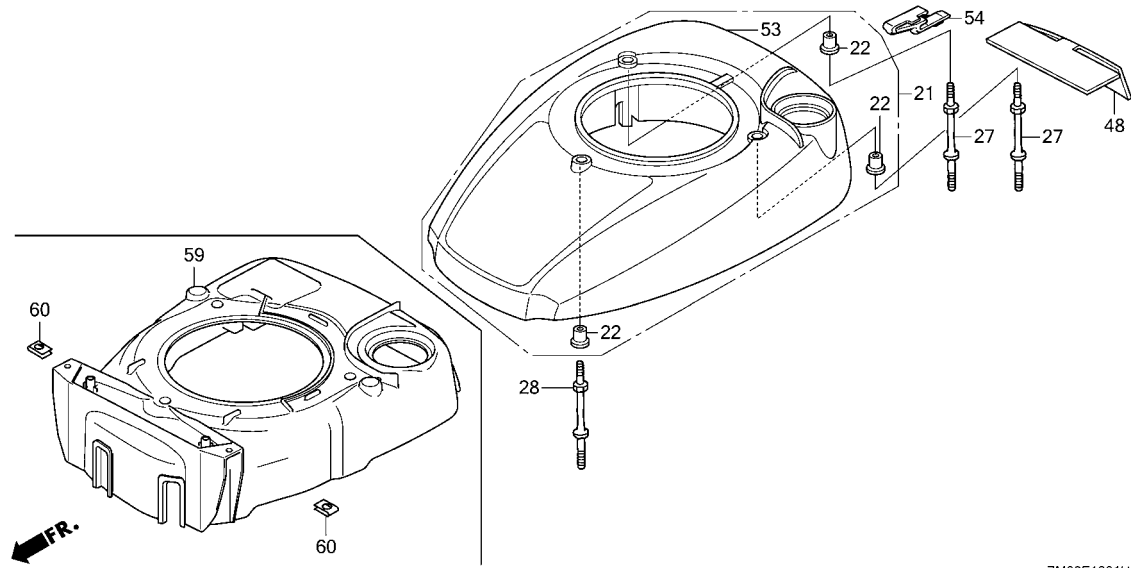
# FAN COVER(2)

Ref. No.	Part No.	Description	Reqd. QTY										Serial No.	Parts catalogue code		
			GCV 160	GCV 160 A	GCV 160 A0	GCV 160 E	GCV 160 LE	GCV 160 LA	GCV 160 LA0	GCV 160 LA1	GCV 160 LA1	GCV 160 LA1				
28)	90043-ZL8-000	BOLT, STUD(H=42.5MM).....	-	-	-	-	-	-	-	-	-	1	-	-----	3574736 R3A	
			-	-	-	-	-	-	-	-	-	1	-	-----	3634153 S3A	
	90043-Z8D-010	BOLT, STUD(FAN COVER).....	-	-	-	-	-	-	-	-	-	1	-	3499207	-----	A1A, N7S1, S3H, S3T
	90043-Z8D-901	.....	-	-	-	-	-	-	-	-	-	1	-	3499207	3996565	A2R, BHH, N1A, N1AF, N5AF, N5MF, N5R, N5RB, SBT
	90043-Z8D-010	.....	-	-	-	-	-	-	-	-	-	1	-	3574737	-----	R3A
			-	-	-	-	-	-	-	-	-	1	-	3634154	-----	S3A
			-	-	-	-	-	-	-	-	-	1	-	3996566	-----	A2R, BHH, N1A, N1AF, N5AF, N5MF, N5R, N5RB, SBT
			-	-	-	-	-	-	-	-	-	1	-	-----	A1A, A1A/A, A2R, A2R/A, A7H1, A7H1/A, A7X1, G5AF	
			-	-	-	-	-	-	-	-	-	1	-	-----	G5AF/A, G5MF, G5MF/A, N1A, N1A/A, N5AF, N5AF/A, SBA	
			-	-	-	-	-	-	-	-	-	1	-	-----	SBA/A, SBH, SBH/A, SBT, SBT/A	
48	19617-Z0Y-300	RUBBER, FAN COVER.....	-	-	-	-	-	-	-	1	-	-	-	-----	N1A	
			-	-	-	-	-	-	-	-	1	-	-	-----	1134535 N1A	
53	19611-Z8D-900ZD	COVER, FAN	-	-	-	-	-	-	-	-	-	-	-	-----		
	*NH1*	.....BLACK	-	-	1	-	-	-	-	-	1	1	-	-----	A1G7, A1UV, A2UA, A3G7, A3HV, A3T9, A4G7, A7H1	
			-	-	-	-	-	-	-	-	-	-	-	-----	A7H1/A, A7Q1, A7Q1/A, A7X1, N1U/A, N2EE, N2KE, N3T8	
			-	-	-	-	-	-	-	-	-	-	-	-----	NBHT, S4G7, SBA, SBA/A	
	19611-Z8B-900ZB	*NH1*.....BLACK	-	-	1	-	-	-	-	-	1	1	-	-----	S3AL, S3B, S3B/A, S3HB, S4GB, S4HB	
	19611-Z0L-850ZA	*NH1*.....BLACK	-	-	1	-	-	-	-	-	-	-	-	1851726	1863374	A1AW, N1U, N2U
	19611-Z8D-900ZD	*NH1*.....BLACK	-	-	1	-	-	-	-	-	-	-	-	1863375	-----	A1AW, N1U, N2U
	19611-Z0L-850ZA	*NH1*.....BLACK	-	-	1	-	-	-	-	-	-	-	-	1887896	-----	N5RE, S3TE, SBT
	19611-Z0L-850ZF	*R280*.....POWER RED	-	-	-	-	-	-	-	-	1	1	-	-----	G5AF, G5AF/A	
	19611-Z8B-910ZA	*R280*.....POWER RED	-	-	-	-	-	-	-	-	1	1	-	-----	G5B, G5B/A, G5BR, G5BR/A, N5B, N5B/A	
	19611-Z8B-910ZB	*NH1*.....BLACK	-	-	-	-	-	-	-	-	1	1	-	-----	G5B, G5B/A, G5BR, G5BR/A, N5B, N5B/A, N5BR, N5BR/A	
	19611-Z8B-910ZC	*T89*.....CRAFTSMAN RED	-	-	-	-	-	-	-	-	1	1	-	-----	G5B, G5B/A, N5B, N5B/A	
	19611-Z8B-910ZD	*T104*.....RYOBI GREEN	-	-	-	-	-	-	-	-	1	1	-	-----	G5B, G5B/A, N5B, N5B/A	
	19611-Z8B-900ZD	*T89*.....CRAFTSMAN RED	-	-	-	-	-	-	-	-	1	1	-	-----	S3B, S3B/A	
	19611-Z8B-900ZE	*T104*.....RYOBI GREEN	-	-	-	-	-	-	-	-	1	1	-	-----	S3B, S3B/A	
	19611-Z0L-850ZA	*NH1*.....BLACK	-	-	-	-	-	-	-	-	1	-	-	-----	G5AF, G5MF	
	19611-Z8B-900ZA	*T98B*.....MTD RED	-	-	-	-	-	-	-	-	1	-	-	-----	S3B	
	19611-Z0L-850ZA	*NH1*.....BLACK	-	-	-	-	-	-	-	-	1	-	-	3499207	-----	A1A, A2R, BHH, N1A, N1AF, N5AF, N5MF, N7S1, S3H, S3T
			-	-	-	-	-	-	-	-	-	-	-	-----	SBT	
	19611-Z0L-850ZD	*T93*.....HUSQVARNA GRAY	-	-	-	-	-	-	-	-	1	-	-	3499207	-----	BHH
	19611-Z0L-850ZE	*T89*.....CRAFTSMAN RED	-	-	-	-	-	-	-	-	1	-	-	3499207	-----	BHH
	19611-Z0L-850ZF	*R280*.....POWER RED	-	-	-	-	-	-	-	-	1	-	-	3499207	-----	N5R, N5RB
	19611-Z0L-850ZB	*T98B*.....MTD RED	-	-	-	-	-	-	-	-	1	-	-	3499207	-----	S3H
	19611-Z0L-860ZA	*T98B*.....MTD RED	-	-	-	-	-	-	-	-	1	-	-	3574737	-----	S3A
	19611-Z0L-860ZC	*T93*.....HUSQVARNA GRAY	-	-	-	-	-	-	-	-	1	-	-	3574737	-----	S3A
	19611-Z0L-860ZD	*T89*.....CRAFTSMAN RED	-	-	-	-	-	-	-	-	1	-	-	3574737	-----	S3A
	19611-Z0L-860ZF	*NH1*.....BLACK	-	-	-	-	-	-	-	-	1	-	-	3574737	-----	S3A
	19611-Z0L-880ZA	*Y166R*.....WOLF YELLOW	-	-	-	-	-	-	-	-	1	-	-	3634154	-----	R3A
	19611-Z0L-880ZB	*T90*.....EHP ORANGE	-	-	-	-	-	-	-	-	1	-	-	3634154	-----	R3A
	19611-Z0L-880ZC	*T89*.....CRAFTSMAN RED	-	-	-	-	-	-	-	-	1	-	-	3634154	-----	R3A
	19611-Z0L-880ZD	*R280*.....POWER RED	-	-	-	-	-	-	-	-	1	-	-	3634154	-----	R3A
	19611-Z0L-880ZE	*NH1*.....BLACK	-	-	-	-	-	-	-	-	1	-	-	3634154	-----	R3A
	19611-Z0L-850ZA	*NH1*.....BLACK	-	-	-	-	-	-	-	-	1	-	-	-----	A1A, A1A/A, A2R, A2R/A, G5AF, G5AF/A, G5MF, G5MF/A	
			-	-	-	-	-	-	-	-	-	-	-	-----	N1A, N1A/A, N5AF, N5AF/A, SBT, SBT/A	
	19611-Z8B-910ZE	*T114*.....LIBERTY RED	-	-	-	-	-	-	-	-	1	-	-	-----	G5B, G5B/A, G5BR, G5BR/A	
	19611-Z8B-910ZF	*T113*.....CRAFTSMAN GRAY	-	-	-	-	-	-	-	-	1	-	-	-----	G5B, G5B/A, G5BR, G5BR/A	
	19611-Z8B-900ZF	*T114*.....LIBERTY RED	-	-	-	-	-	-	-	-	1	-	-	-----	S3B, S3B/A	
	19611-Z8B-900ZG	*T113*.....CRAFTSMAN GRAY	-	-	-	-	-	-	-	-	1	-	-	-----	S3B, S3B/A	
	19611-Z8B-900ZH	*T98*.....MTD RED	-	-	-	-	-	-	-	-	1	-	-	-----	S3B, S3B/A	
54	17516-Z8B-900ZD	CLIP, TANK MOUNTING	-	-	-	-	-	-	-	-	-	-	-	-----		
	*NH1*	.....BLACK	-	-	1	-	-	-	-	-	1	1	-	-----	A1G7, A1UV, A2UA, A3G7, A3HV, A3T9, A4G7, A7H1	
			-	-	-	-	-	-	-	-	-	-	-	-----	A7H1/A, A7Q1, A7Q1/A, A7X1, G5B, G5B/A, G5BR, G5BR/A	
			-	-	-	-	-	-	-	-	-	-	-	-----	N1U/A, N2EE, N2KE, N3T8, N5B, N5B/A, N5BR, N5BR/A	
			-	-	-	-	-	-	-	-	-	-	-	-----	NBHT, R3L, R3LE, S3AL, S3B, S3B/A, S3DB, S3HB, S3L	
			-	-	-	-	-	-	-	-	-	-	-	-----	S3LB, S3LB/A, S3LE, S4BB, S4G7, S4GB, S4HB, S4LE, SBA	
			-	-	-	-	-	-	-	-	-	-	-	-----	SBA/A, SBH, SBH/A, SBHE, SBL	



# E-12-1

# FAN COVER(2)

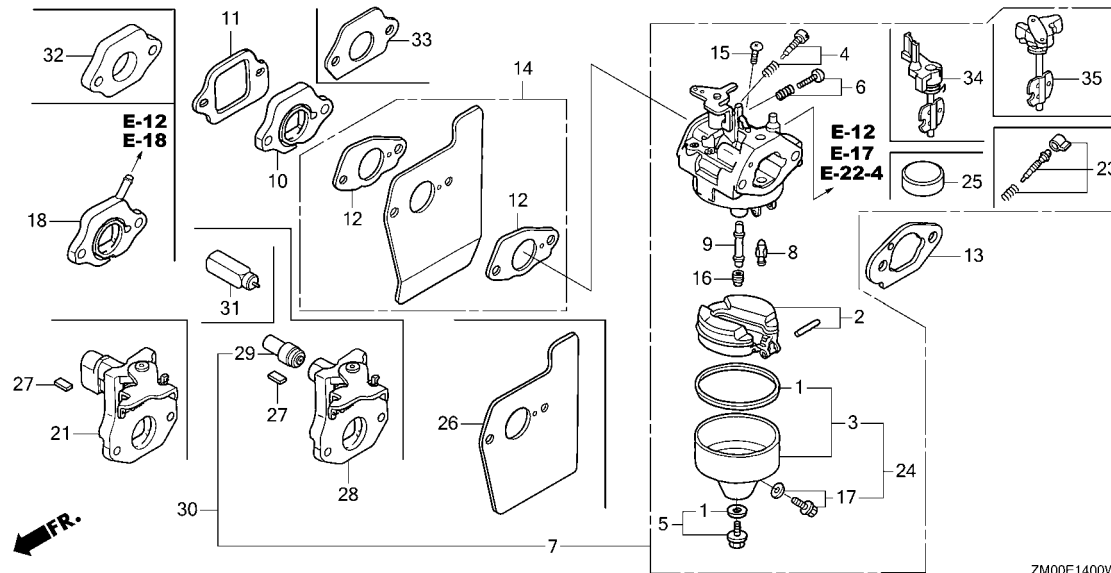


ZM00E1201H

Ref. No.	Part No.	Description	Reqd. QTY									Serial No.	Parts catalogue code
			GCV 160	GCV 160 A	GCV 160 A0	GCV 160 E	GCV 160 LE	GCV 160 LA	GCV 160 LA0	GCV 160 LA1			
54)	17516-Z8B-900ZE	CLIP, TANK MOUNTING	-	-	-	-	-	-	-	-	-		
	*T89*	.....CRAFTSMAN RED	-	-	1	-	-	-	-	1	-	-----	N5B, S3LE, S4LE, SBL
	17516-Z8B-900ZA	*T98B*.....MTD RED	-	-	1	-	-	-	-	-	-	-----	R3LE
	17516-Z8B-900ZD	*NH1*.....BLACK	-	-	1	-	-	-	-	-	-	1863375	A1AW, N1U, N2U
	17516-Z8B-900ZB	*T104*.....RYOBI GREEN	-	-	-	-	-	-	-	1	-	-----	N5B
	17516-Z8B-900ZC	*R280*.....POWER RED	-	-	-	-	-	-	-	1	-	-----	N5B
	17516-Z8B-900ZA	*T98B*.....MTD RED	-	-	-	-	-	-	-	1	-	-----	R3L, S3DB, S3L
59	19611-Z8B-V70ZB	COVER, FAN	-	-	-	-	-	-	-	-	-		
	*NH1*	.....BLACK	-	-	1	-	-	-	-	1	1	-----	S3DB, S3LB, S3LB/A, S4BB
	19611-Z8B-V50ZA	*T89*.....CRAFTSMAN RED	-	-	1	-	-	-	-	1	1	-----	SBH, SBH/A, SBHE, SBL
	19611-Z8B-V50ZB	*NH1*.....BLACK	-	-	1	-	-	-	-	1	1	-----	SBH, SBH/A, SBHE, SBL
	19611-Z8B-V60ZA	*T98B*.....MTD RED	-	-	1	-	-	-	-	1	-	-----	R3L, R3LE
	19611-Z8B-V60ZB	*NH1*.....BLACK	-	-	1	-	-	-	-	1	-	-----	R3L, R3LE
	19611-Z8B-V40ZC	*NH1*.....BLACK	-	-	1	-	-	-	-	1	-	-----	S3L, S3LE, S4LE
	19611-Z8B-V40ZB	*T89*.....CRAFTSMAN RED	-	-	1	-	-	-	-	-	-	-----	S3LE, S4LE
	19611-Z8B-V70ZA	*T98B*.....MTD RED	-	-	-	-	-	-	-	1	1	-----	S3DB, S3LB, S3LB/A
	19611-Z8B-V40ZA	*T98B*.....MTD RED	-	-	-	-	-	-	-	1	-	-----	S3L
60	66871-611-000	NUT, CENTER PANEL	-	-	2	-	-	-	-	2	2	-----	R3L, R3LE, S3DB, S3L, S3LB, S3LB/A, S3LE, S4BB, S4LE SBH, SBH/A, SBHE, SBL

# E-14

# CARBURETOR



ZM00E1400W

Ref. L.O.N. (Relative ref. Number) F.R.T.  
No. Description

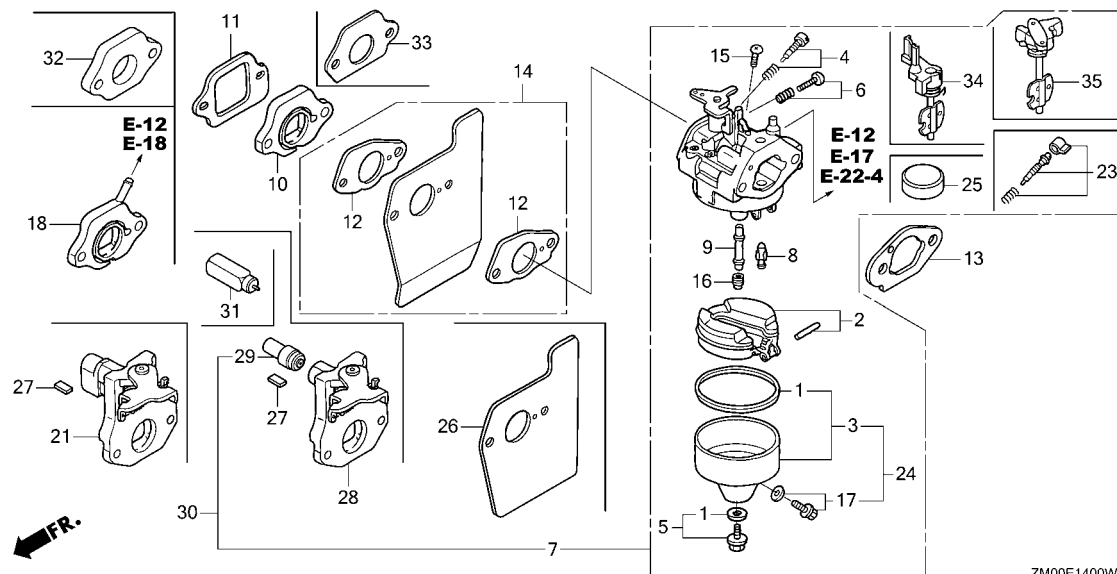
Ref. No.	Part No.	Description	Reqd. QTY								Serial No.	Parts catalogue code	
			GCV 160	GCV 160 A	GCV 160 A0	GCV 160 E	GCV 160 LE	GCV 160 LA	GCV 160 LA0	GCV 160 LA1			
1	16010-883-015	PACKING SET.....	1	1	1	1	1	1	1	1	1		
2	16013-ZL1-003	FLOAT SET.....	1	1	1	1	1	1	1	1	1		
3	16015-892-015	CHAMBER SET, FLOAT..... (CARBURETOR NO.)	1	-	-	-	-	-	-	-	-	-----	BB62A C A1E, A1J, A1P, A1U, A2E, A2U, A3E, A4E, N1, N1D, N1E1, N1E2, N1U, N1W, N2, N2D, N2E, N2E1, N2E2, N2E3, N2U, N3V
	„	„	1	-	-	-	-	-	-	-	-	-----	BB62B C A1A, A1C, A2A, A2C





# E-14

# CARBURETOR



Ref. No.	Part No.	Description	Reqd. QTY									Serial No.	Parts catalogue code	
			GCV 160	GCV 160 A	GCV 160 A0	GCV 160 E	GCV 160 LE	GCV 160 LA	GCV 160 LA0	GCV 160 LA1				
(3)	16015-Z0L-881	CHAMBER SET, FLOAT..... (CARBURETOR NO.)	-	1	-	1	-	-	-	-	-	-	BB62Z B	----- S1E1,S2E1,S3H2
	"	"	-	1	-	-	-	-	-	-	-	-	BB62W B	----- A1AW,A1E7,A1M,A2E7,BHH1,C1E,C1E1,C2E,C2E1,C3E C3E1,C4E,C4E1,E2G7,N1L,N1R,N1U,N2U,N3U,N3V
	"	"	-	1	-	-	-	-	-	-	-	-	BB65E B	----- S2G7
	"	"	-	-	1	-	1	-	-	-	-	-	-----	----- A1AW,A1E7,A1G7,A1M,A1UV,A2E7,A2UA,A3G7,A3HV A3T9,A4G4,A4G7,A7H1,A7Q1,A7Q1/A,BHH1,C1E,C1E1 C2E,C2E1,C3E,C3E1,C4E,C4E1,E2G7,N1L,N1R,N1U N1U/A,N2EE,N2KE,N2U,N3T8,N3U,N3V,N5RE,NBHT R3LE,S2G7,S3AL,S3DB,S3H2,S3HB,S3LE,S3TE,S4BB S4G7,S4GB,S4HB,S4LE,SBHE,SBTE
	"	"	-	-	-	1	-	-	-	-	-	-	-----	----- A3HV,A4EV,A7Q1,N2EE,S1G4,S2E2,S3E9,S4E4,S4E9 S4H4
	"	"	-	-	-	1	-	-	-	-	-	-	BB62W B	----- A1G9,A1P,A2G4,A2G7,A2G9,A3E7,A3E9,A3G9,A3T9 A3W7,A3W8,A4G4,A4G7,A4G9,N1J1,N1T9,N1W7,N2E7 N2E8,N3T8,N3W8,N3W9
	"	"	-	-	-	1	-	-	-	-	-	-	BB62Y B	----- A7E1
	"	"	-	-	-	1	-	-	-	-	-	-	BB75D A	----- S2E3,S3G9,S4G4,S4G9
	"	"	-	-	-	-	1	1	-	-	-	-	BB62W B	----- A1A,A2A9,A2R,A4A9,BHH,N1A
	"	"	-	-	-	-	1	1	-	-	-	-	BB62Y B	----- N7A1,N7S1
	"	"	-	-	-	-	-	1	-	-	-	-	BB62Z B	----- R3A,S1A,S3A
	"	"	-	-	-	-	-	1	-	-	-	-	BB65A B	----- A1AF,N1AF,N5AF,N5MF,N5R
	"	"	-	-	-	-	-	1	-	-	-	-	BB65E B	----- S1M,S3H
	"	"	-	-	-	-	-	-	-	-	1	-	-----	-----
	"	"	-	-	-	-	-	-	-	-	-	1	-----	-----
4	16016-892-005	SCREW SET A..... (CARBURETOR NO.)	1	-	-	-	-	-	-	-	-	-	-----	----- A1C,A2C
	"	"	1	-	-	-	-	-	-	-	-	-	BB62A D	----- A1E,A1J,A1P,A1U,A2E,A2U,A3E,A4E,N1,N1D,N1E1 N1E2,N1U,N1W,N2,N2D,N2E,N2E1,N2E2,N2E3,N2U N3V

2

**E-14**

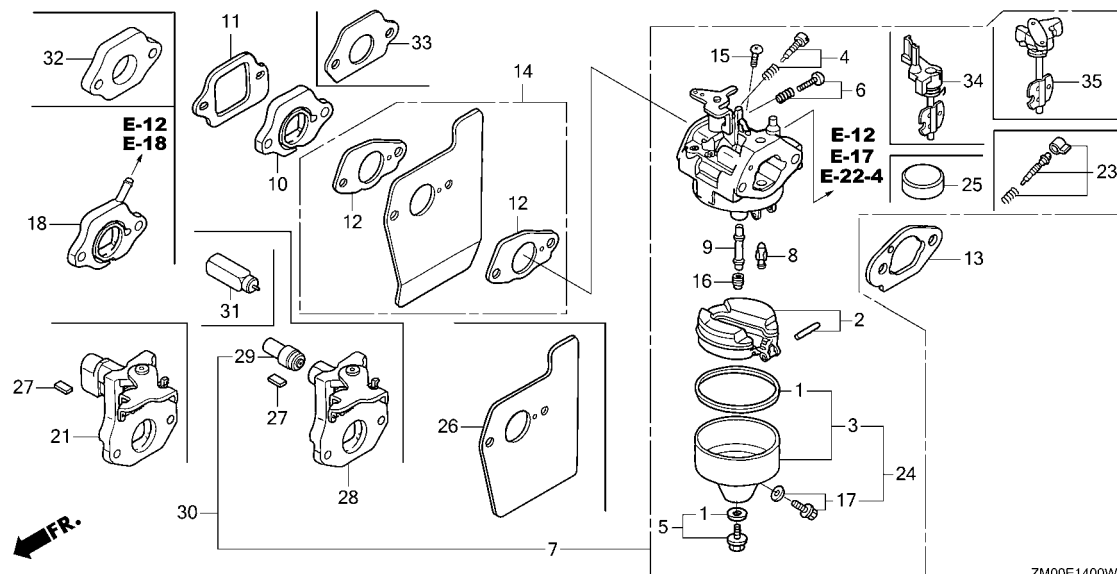
**CARBURETOR**

Ref. No.	Part No.	Description	Reqd. QTY										Serial No.	Parts catalogue code
			GCV 160	GCV 160 A	GCV 160 A0	GCV 160 E	GCV 160 LE	GCV 160 LA	GCV 160 LA0	GCV 160 LA1				
5	16028-ZE0-005	SCREW SET .....	1	1	1	1	1	1	1	1	1			
6	16029-ZG0-901	SCREW SET(THROTTLE STOP) .....	1	1	-	1	1	1	-	1			A1A, A1A/A, A1AS, A1AW, A1C, A1E, A1E7, A1E8, A1G7, A1G9, A1J, A1M, A1P, A1U, A1W2, A1W7, A2A, A2A9, A2C, A2E, A2E4, A2E7, A2E8, A2E9, A2G4, A2G7, A2G9, A2R, A2R/A, A2U, A3E, A3E7, A3E9, A3G9, A3HV, A3T9, A3W7, A3W8, A4A9, A4E, A4EV, A4G4, A4G7, A4G9, A7E1, A7H1, A7H1/A, A7Q1, A7X1, BHH, BHH1, C1E, C1E1, C2E, C2E1, C3E, C3E1, C4E, C4E1, E1A2, E1A4, E1G7, E2G7, E5A4, EHHB, N1, N1A, N1A/A, N1C, N1D, N1E1, N1E2, N1E7, N1J1, N1L, N1R, N1T8, N1T9, N1U, N1W, N1W1, N1W2, N1W7, N1W8, N1W9, N2, N2D, N2E, N2E1, N2E2, N2E3, N2E7, N2E8, N2E9, N2EE, N2U, N3T8, N3T9, N3U, N3V, N3W8, N3W9, N5A, N5C, N7A1, N7S1, NBL1, S1G4, S2E2, S2E3, S3E9, S3G9, S4E4, S4E9, S4G4, S4G9, S4H4, SBA, SBA/A, SBH, SBH/A, SBT, SBT/A	
		(CARBURETOR NO.)	-	1	-	-	-	-	-	-	-	BB62H A	A1AE, A1AF, A3A, N1AF, N5AF	
		''	-	-	1	-	-	-	-	1	-	BB75G A	S3AL, S3DB, S4BB, S4GB, S4HB	
		''	-	-	1	-	-	-	-	-	-		A1AW, A1E7, A1G7, A1M, A1UV, A2E7, A2UA, A3G7, A3HV, A3T9, A4G4, A4G7, A7Q1, A7Q1/A, BHH1, C1E, C1E1, C2E, C2E1, C3E, C3E1, C4E, C4E1, E2G7, N1L, N1R, N1U, N1U/A, N2EE, N2KE, N2U, N3T8, N3U, N3V, NBHT, R3LE, S2G7, S3LE, S3TE, S4G7, S4LE, SBHE, SBTE	
		''	-	-	-	-	-	-	1	-	-	BB75E A	S1M, S3H	
		''	-	-	-	-	-	-	-	1	-		A1A, A2R, A7H1, BHH, E1A2, N1A, N7A1, N7S1, R3L, S1M, S3H, S3L, S3T, SBA, SBH, SBL, SBT	
7	16100-ZM0-803	CARBURETOR ASSY.(BB62B D) .....	1	-	-	-	-	-	-	-	-		A1E7, A1E8, A1G7, A1W2, A1W7, A2E4, A2E7, A2E8, A2E9, A2G7, A2R, N1E7, N1J1, N1R, N1W1, N1W2, N1W7, N1W8, N1W9, N2E7, N2E8, N2E9, N3U	
	16100-Z0L-781	CARBURETOR ASSY.(BB62F A) .....	1	-	-	-	-	-	-	-	-		A7E1, N7A1	
	16100-ZM0-802	CARBURETOR ASSY.(BB62B C) .....	1	-	-	-	-	-	-	-	-	1676295	A1A, A1C, A2A, A2C	
	16100-ZM0-013	CARBURETOR ASSY.(BB62A C) .....	1	-	-	-	-	-	-	-	-	1676295	A1E, A1J, A1P, A1U, A2E, A2U, A3E, A4E, N1, N1D, N1E1, N1E2, N1U, N1W, N2, N2D, N2E, N2E1, N2E2, N2E3, N2U, N3V	
	16100-ZM0-803	CARBURETOR ASSY.(BB62B D) .....	1	-	-	-	-	-	-	-	-	1676296	A1A, A1C, A2A, A2C	
	16100-ZM0-023	CARBURETOR ASSY.(BB62A D) .....	1	-	-	-	-	-	-	-	-	1676296	1733302 A1E, A1J, A1P, A1U, A2E, A2U, A3E, A4E, N1, N1D, N1E1, N1E2, N1U, N1W, N2, N2D, N2E, N2E1, N2E2, N2E3, N2U, N3V	
	16100-ZM0-803	CARBURETOR ASSY.(BB62B D) .....	1	-	-	-	-	-	-	-	-	1733303	1733303 A1E, A1J, A1P, A1U, A2E, A2U, A3E, A4E, N1, N1D, N1E1, N1E2, N1U, N1W, N2, N2D, N2E, N2E1, N2E2, N2E3, N2U, N3V	
	16100-Z0L-861	CARBURETOR ASSY.(BB65A A) .....	-	1	-	-	-	-	-	-	-		N5MF, N5R	
	16100-Z0L-871	CARBURETOR ASSY.(BB65E A) .....	-	1	-	-	-	-	-	-	-		S1M	
	16100-Z0L-781	CARBURETOR ASSY.(BB62F A) .....	-	1	-	-	-	-	-	-	-	1456295	A7E1, N7A1	
	16100-ZM0-803	CARBURETOR ASSY.(BB62B D) .....	-	1	-	-	-	-	-	-	-	2225727	A1AE, A1AF, A3A, N1AF, N5AF	
	16100-Z0L-801	CARBURETOR ASSY.(BB62G A) .....	-	1	-	-	-	-	-	-	-	3172195	R1A, R3A, R3A1, S1A, S1A1, S3A, STA1	
	16100-ZM0-803	CARBURETOR ASSY.(BB62B D) .....	-	1	-	-	-	-	-	-	-	3201357	3201357 A1A, A1AS, A1C, A1E, A1E7, A1E8, A1W7, A2A, A2C, A2E7, A2E8, A2E9, A2G7, A2R, A3E, BHH, E1A2, E1A4, E1G7, E2G7, E5A4, EHHB, N1A, N1C, N1E1, N1E7, N1R, N1U, N1W, N1W8, N1W9, N2E7, N2E8, N2E9, N2U, N3U, N3V, N5A, N5C	
	16100-ZM0-804	CARBURETOR ASSY.(BB62B E) .....	-	1	-	-	-	-	-	-	-	3698326	NBL1	
	16100-Z0L-782	CARBURETOR ASSY.(BB62F B) .....	-	1	-	-	-	-	-	-	-	4029639	N7S1	
	16100-Z0L-802	CARBURETOR ASSY.(BB62G B) .....	-	1	-	-	-	-	-	-	-	4030139	RTL1, STL1	
	16100-Z0L-841	CARBURETOR ASSY.(BB62S A) .....	-	1	-	-	-	-	-	-	-	4803407	S3A2, S3H	
	16100-Z0L-802	CARBURETOR ASSY.(BB62G B) .....	-	1	-	-	-	-	-	-	-	5524227	S3H2	
	16100-ZM0-804	CARBURETOR ASSY.(BB62B E) .....	-	1	-	-	-	-	-	-	-	6758509	A1M, C1E, C1E1, C2E, C2E1, N1L	
	16100-Z0L-871	CARBURETOR ASSY.(BB65E A) .....	-	1	-	-	-	-	-	-	-	7037043	S2G7	
	16100-Z0L-003	CARBURETOR ASSY.(BB62W A) .....	-	1	-	-	-	-	-	-	-	7055344	A1AW, BHH1, C3E, C3E1, C4E, C4E1	



# E-14

# CARBURETOR



Ref. No.	Part No.	Description	Reqd. QTY									Serial No.	Parts catalogue code
			GCV 160	GCV 160 A	GCV 160 A0	GCV 160 E	GCV 160 LE	GCV 160 LA	GCV 160 LA0	GCV 160 LA1			
(7)	16100-Z0L-782	CARBURETOR ASSY.(BB62F B) . . . .	-	1	-	-	-	-	-	-	-	1456296	----- A7E1
			-	1	-	-	-	-	-	-	-	1456296	4029852 N7A1
	16100-Z0L-811	CARBURETOR ASSY.(BB62H A) . . . .	-	1	-	-	-	-	-	-	-	2225728	3036309 A1AE, A1AF, A3A, N1AF, N5AF
	16100-Z0L-812	CARBURETOR ASSY.(BB62H B) . . . .	-	1	-	-	-	-	-	-	-	3036310	4062255 A1AE, A1AF, A3A, N1AF, N5AF
	16100-Z0L-802	CARBURETOR ASSY.(BB62G B) . . . .	-	1	-	-	-	-	-	-	-	3172196	4030139 S1A, S1A1, S3A, STA1
			-	1	-	-	-	-	-	-	-	3172196	8020871 R1A, R3A, R3A1
	16100-ZM0-804	CARBURETOR ASSY.(BB62B E) . . . .	-	1	-	-	-	-	-	-	-	3201358	----- A1E, A1E8, A1W7, A2E8, A2E9, A2G7, A3E, E1A2, E1A4 E1G7, E2G7, E5A4, EHHB, N1E1, N1E7, N1W7, N1W8, N1W9 N2E7, N2E8, N2E9
			-	1	-	-	-	-	-	-	-	3201358	3698326 A1A, A1AS, A1C, A2A, A2C, A2R, BHH, N1A, N1C, N5A, N5C
			-	1	-	-	-	-	-	-	-	3201358	6758509 A1E7, A2E7, N1R, N1U, N2U, N3U, N3V
	16100-Z0L-003	CARBURETOR ASSY.(BB62W A) . . . .	-	1	-	-	-	-	-	-	-	3698327	----- A1A, A1AS, A1C, A2A, A2C, A2R, BHH, N1A, N1C, N5A, N5C NBL1
			-	1	-	-	-	-	-	-	-	4029640	----- N7S1
			-	1	-	-	-	-	-	-	-	4029853	----- N7A1
	16100-Z0L-851	CARBURETOR ASSY.(BB62Z A) . . . .	-	1	-	-	-	-	-	-	-	4030140	----- RTL1, S1A, S1A1, S3A, STA1, STL1
	16100-Z0L-861	CARBURETOR ASSY.(BB65A A) . . . .	-	1	-	-	-	-	-	-	-	4062256	----- A1AE, A1AF, A3A, N1AF, N5AF
	16100-Z0L-871	CARBURETOR ASSY.(BB65E A) . . . .	-	1	-	-	-	-	-	-	-	4803408	----- S3A2, S3H
	16100-Z0L-851	CARBURETOR ASSY.(BB62Z A) . . . .	-	1	-	-	-	-	-	-	-	5524228	7161134 S3H2
	16100-Z0L-003	CARBURETOR ASSY.(BB62W A) . . . .	-	1	-	-	-	-	-	-	-	6758510	7055344 A1E7, A1M, A2E7, C1E, C1E1, C2E, C2E1, N1L, N1R, N1U N2U, N3U, N3V
			-	1	-	-	-	-	-	-	-	7037044	----- S2G7
	16100-Z0L-013	CARBURETOR ASSY.(BB62W B) . . . .	-	1	-	-	-	-	-	-	-	7055345	----- A1AW, A1E7, A1M, A2E7, BHH1, C1E, C1E1, C2E, C2E1, C3E C3E1, C4E, C4E1, N1L, N1R, N1U, N2U, N3U, N3V
			-	1	-	-	-	-	-	-	-	7161135	----- S3H2
	16100-Z0L-851	CARBURETOR ASSY.(BB62Z A) . . . .	-	1	-	-	-	-	-	-	-	8020872	----- R1A, R3A, R3A1
	16100-Z8B-881	CARBURETOR ASSY.(BB65V A) . . . .	-	-	1	-	-	-	1	1	-	-----	A7H1, A7Q1
	16100-Z8B-901	CARBURETOR ASSY.(BB76A A) . . . .	-	-	1	-	-	-	1	1	-	-----	S3B, S3B/A, S3HB, S3LB, S3LB/A



# E-14

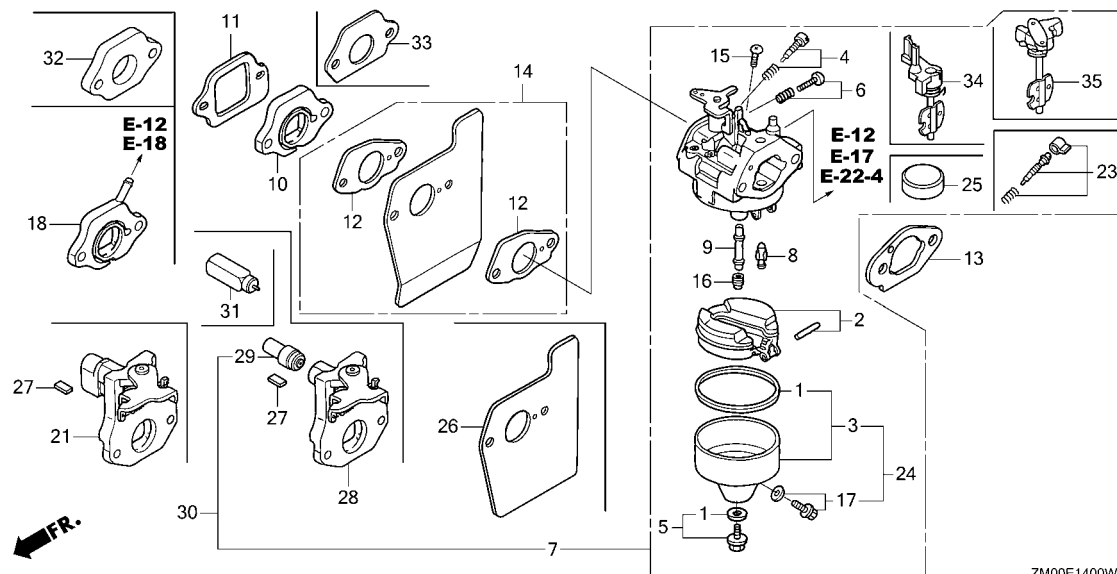
# CARBURETOR

Ref. No.	Part No.	Description	Reqd. QTY								Serial No.	Parts catalogue code	
			GCV 160	GCV 160 A	GCV 160 A0	GCV 160 E	GCV 160 LE	GCV 160 LA	GCV 160 LA0	GCV 160 LA1			
(7)	16100-Z0L-013	CARBURETOR ASSY. (BB62W B) .....	-	-	1	-	-	-	1	-	-----	A1M, A2E7, C1E, C1E1, C2E, C2E1, C3E, C3E1, C4E, C4E1 E1A2, E2G7, N1R, N3V	
	16100-Z8B-003	CARBURETOR ASSY. (BB65W A) .....	-	-	1	-	-	-	1	-	-----	A1UV, A2UA, A4G4, SBA, SBH, SBHE, SBL	
	16100-Z8B-871	CARBURETOR ASSY. (BB75G A) .....	-	-	1	-	-	-	1	-	-----	R3L, R3LE, S3L, S3LE, S4LE	
	16100-Z0L-862	CARBURETOR ASSY. (BB65A B) .....	-	-	1	-	-	-	1	-	1854820	A1AF, N1AF, N5AF, N5MF, N5R, N5RB, N5RE	
	16100-Z0L-863	.....	-	-	1	-	-	-	1	-	1854821	A1AF, N5RE	
	16100-Z8B-WA1	CARBURETOR ASSY. (BB66A A) .....	-	-	1	-	-	-	1	-	-----	A7H1/A, A7Q1/A, A7X1	
	16100-Z0L-023	CARBURETOR ASSY. (BB62W C) .....	-	-	1	-	-	-	-	-	-----	A1G7, A3G7, A3HV, A3T9, A4G7, N2EE, N2KE, N3T8, NBHT	
	16100-Z8B-013	CARBURETOR ASSY. (BB65W A) .....	-	-	1	-	-	-	-	-	-----	N1U/A	
	16100-Z8B-841	CARBURETOR ASSY. (BB75J A) .....	-	-	1	-	-	-	-	-	-----	S4G7	
	16100-Z0L-013	CARBURETOR ASSY. (BB62W B) .....	-	-	1	-	-	-	-	-	1488779	A1AW, A1E7, BHH1, N1L, N1U, N2U, N3U	
	16100-Z0L-875	CARBURETOR ASSY. (BB75E B) .....	-	-	1	-	-	-	-	-	1489859	S3TE, SBTE	
	16100-Z0L-852	CARBURETOR ASSY. (BB62Z B) .....	-	-	1	-	-	-	-	-	1583553	S3H2	
	16100-Z8B-901	CARBURETOR ASSY. (BB76A A) .....	-	-	1	-	-	-	-	-	2046728	S4GB, S4HB	
	16100-Z0L-N21	CARBURETOR ASSY. (BB76F A) .....	-	-	1	-	-	-	-	-	3091920	S3AL, S3DB, S4BB	
	16100-Z0L-875	CARBURETOR ASSY. (BB75E B) .....	-	-	1	-	-	-	-	-	1064372	S2G7	
	16100-Z0L-023	CARBURETOR ASSY. (BB62W C) .....	-	-	1	-	-	-	-	-	1488780	1651094	A1AW, A1E7, BHH1, N1L, N1U, N2U, N3U
	16100-Z0L-876	CARBURETOR ASSY. (BB75E C) .....	-	-	1	-	-	-	-	-	1489860	S3TE, SBTE	
	16100-Z0L-853	CARBURETOR ASSY. (BB62Z C) .....	-	-	1	-	-	-	-	-	1583554	1708365	S3H2
	16100-Z8B-003	CARBURETOR ASSY. (BB65W A) .....	-	-	1	-	-	-	-	-	1651095	A1AW, A1E7, BHH1, N1L, N1U, N2U, N3U	
	16100-Z8B-851	CARBURETOR ASSY. (BB65U A) .....	-	-	1	-	-	-	-	-	1708366	S3H2	
	16100-Z0L-N21	CARBURETOR ASSY. (BB76F A) .....	-	-	1	-	-	-	-	-	2046729	3091920	S4GB, S4HB
	16100-Z8B-871	CARBURETOR ASSY. (BB75G A) .....	-	-	1	-	-	-	-	-	3091921	S3AL, S3DB, S4BB, S4GB, S4HB	
	16100-Z8B-003	CARBURETOR ASSY. (BB65W A) .....	-	-	1	-	-	-	-	-	-----	A3HV	
	16100-Z1L-023	CARBURETOR ASSY. (BB62Y C) .....	-	-	1	-	-	-	-	-	-----	A7Q1	
	16100-Z0L-876	CARBURETOR ASSY. (BB75E C) .....	-	-	1	-	-	-	-	-	-----	S4H4	
	16100-Z0L-801	CARBURETOR ASSY. (BB62G A) .....	-	-	1	-	-	-	-	-	1452363	S1E1, S2E, S2E1	
	16100-ZM0-803	CARBURETOR ASSY. (BB62B D) .....	-	-	1	-	-	-	-	-	1524971	A1E7, A1E8, A1G7, A1G9, A1P, A1W7, A2A9, A2E7, A2E8 A2E9, A2G4, A2G7, A2G9, A2R, A3E7, N1D, N1E1, N1E2 N1E7, N1J1, N1R, N1T8, N1T9, N1W7, N1W8, N1W9, N2E7 N2E8, N2E9	
	16100-Z0L-781	CARBURETOR ASSY. (BB62F A) .....	-	-	1	-	-	-	-	-	-----	1527131	A7E1, N7A1
	16100-ZM0-804	CARBURETOR ASSY. (BB62B E) .....	-	-	1	-	-	-	-	-	-----	2198732	A3E9, A3T9, A3W7, A3W8, N3T8, N3T9, N3W8, N3W9
	16100-Z1L-851	CARBURETOR ASSY. (BB65K A) .....	-	-	1	-	-	-	-	-	-----	2441275	S2E3, S3G9, S4G4, S4G9
	16100-Z0L-003	CARBURETOR ASSY. (BB62W A) .....	-	-	1	-	-	-	-	-	-----	2659548	A3G9, A4G4, A4G7, A4G9
	16100-Z0L-013	CARBURETOR ASSY. (BB62W B) .....	-	-	1	-	-	-	-	-	-----	3273291	N2EE
	16100-Z1L-853	CARBURETOR ASSY. (BB75D A) .....	-	-	1	-	-	-	-	-	-----	3361198	S1G4
	16100-Z0L-023	CARBURETOR ASSY. (BB62W C) .....	-	-	1	-	-	-	-	-	-----	3413204	A4EV
	16100-Z0L-871	CARBURETOR ASSY. (BB65E A) .....	-	-	1	-	-	-	-	-	-----	3446815	S2E2, S3E9, S4E4, S4E9
	16100-Z0L-802	CARBURETOR ASSY. (BB62G B) .....	-	-	1	-	-	-	-	-	1452364	S2E	
			-	-	1	-	-	-	-	-	1452364	2441275	S1E1, S2E1
	16100-ZM0-804	CARBURETOR ASSY. (BB62B E) .....	-	-	1	-	-	-	-	-	1524972	A2A9	
			-	-	1	-	-	-	-	-	1524972	2075802	A2R
			-	-	1	-	-	-	-	-	1524972	2198732	A1E7, A1E8, A1G7, A1G9, A1P, A1W7, A2E7, A2E8, A2E9 A2G4, A2G7, A2G9, A3E7, N1D, N1E1, N1E2, N1E7, N1J1 N1R, N1T8, N1T9, N1W7, N1W8, N1W9, N2E7, N2E8, N2E9
	16100-Z0L-782	CARBURETOR ASSY. (BB62F B) .....	-	-	1	-	-	-	-	-	1527132	1809862	N7A1
			-	-	1	-	-	-	-	-	1527132	2526876	A7E1
	16100-Z1L-003	CARBURETOR ASSY. (BB62Y A) .....	-	-	1	-	-	-	-	-	-----	1809863	N7A1
	16100-Z0L-003	CARBURETOR ASSY. (BB62W A) .....	-	-	1	-	-	-	-	-	-----	2075803	A2R
			-	-	1	-	-	-	-	-	2198733	-----	A1E7, A1E8, A1G7, A1W7, A2E7, A2E8, A2E9, N1D, N1E1 N1E2, N1E7, N1R, N1T8, N1W8, N1W9, N2E9, N3T9
			-	-	1	-	-	-	-	-	2198733	2659548	A1G9, A1P, A2G4, A2G7, A2G9, A3E7, A3E9, A3T9, A3W7 A3W8, N1J1, N1T9, N1W7, N2E7, N2E8, N3T8, N3W8, N3W9
	16100-Z0L-852	CARBURETOR ASSY. (BB62Z B) .....	-	-	1	-	-	-	-	-	2441276	-----	S1E1, S2E1
	16100-Z1L-853	CARBURETOR ASSY. (BB75D A) .....	-	-	1	-	-	-	-	-	2441276	-----	S2E3, S3G9, S4G4, S4G9
	16100-Z1L-013	CARBURETOR ASSY. (BB62Y B) .....	-	-	1	-	-	-	-	-	2526877	3292163	A7E1



# E-14

# CARBURETOR



Ref. No.	Part No.	Description	Reqd. QTY								Serial No.	Parts catalogue code
			GCV 160	GCV 160 A	GCV 160 A0	GCV 160 E	GCV 160 LE	GCV 160 LA	GCV 160 LA0	GCV 160 LA1		
(7)	16100-Z0L-013	CARBURETOR ASSY.(BB62W B) . . . .	-	-	-	1	-	-	-	-	2659549 3273291	A1G9, A1P, A2G4, A2G7, A2G9, A3E7, A3E9, A3G9, A3T9, A3W7, A3W8, A4G4, A4G7, A4G9, N1J1, N1T9, N1W7, N2E7, N2E8, N3T8, N3W8, N3W9
	16100-Z0L-023	CARBURETOR ASSY.(BB62W C) . . . .	-	-	-	1	-	-	-	-	3273292	----- A1G9, A1P, A2G4, A2G7, A2G9, A3E7, A3E9, A3G9, A3T9, A3W7, A3W8, A4G4, A4G7, A4G9, N1J1, N1T9, N1W7, N2E7, N2E8, N2EE, N3T8, N3W8, N3W9
	16100-Z1L-023	CARBURETOR ASSY.(BB62Y C) . . . .	-	-	-	1	-	-	-	-	3292164	----- A7E1
	16100-Z1L-854	CARBURETOR ASSY.(BE75D B) . . . .	-	-	-	1	-	-	-	-	3361199	----- S1G4
	16100-Z8B-003	CARBURETOR ASSY.(BB65W A) . . . .	-	-	-	1	-	-	-	-	3413205	----- A4EV
	16100-Z0L-876	CARBURETOR ASSY.(BB75E C) . . . .	-	-	-	1	-	-	-	-	3446816	----- S2E2, S3E9, S4E4, S4E9
	16100-Z0L-003	CARBURETOR ASSY.(BB62W A) . . . .	-	-	-	-	1	-	-	-	-----	3020070 A2A9, A4A9
	16100-Z1L-013	CARBURETOR ASSY.(BB62Y B) . . . .	-	-	-	-	1	-	-	-	-----	3276088 A7H1
	16100-Z1L-003	CARBURETOR ASSY.(BB62Y A) . . . .	-	-	-	-	1	-	-	-	-----	3276088 N7A1
	16100-Z0L-013	CARBURETOR ASSY.(BB62W B) . . . .	-	-	-	-	1	-	-	-	3020071	3273291 A2A9, A4A9
	16100-Z0L-023	CARBURETOR ASSY.(BB62W C) . . . .	-	-	-	-	1	-	-	-	3273292	----- A2A9, A4A9
	16100-Z1L-023	CARBURETOR ASSY.(BB62Y C) . . . .	-	-	-	-	1	-	-	-	3276089	3406723 A7H1, N7A1
	16100-Z8B-881	CARBURETOR ASSY.(BB65W A) . . . .	-	-	-	-	1	-	-	-	3406724	----- A7H1, N7A1
	16100-Z0L-003	CARBURETOR ASSY.(BB62W A) . . . .	-	-	-	-	-	1	-	-	-----	E1A2
	16100-Z1L-003	CARBURETOR ASSY.(BB62Y A) . . . .	-	-	-	-	-	1	-	-	-----	N7A1, N7S1
	16100-Z0L-871	CARBURETOR ASSY.(BB65E A) . . . .	-	-	-	-	-	1	-	-	7037043	S1M, S3H
	16100-Z0L-003	CARBURETOR ASSY.(BB62W A) . . . .	-	-	-	-	-	1	-	-	7055344	A1A, A2R, BHH, N1A
	16100-Z0L-861	CARBURETOR ASSY.(BB65A A) . . . .	-	-	-	-	-	1	-	-	7065311	A1AF, N1AF, N5AF, N5MF, N5R
	16100-Z0L-851	CARBURETOR ASSY.(BB62Z A) . . . .	-	-	-	-	-	1	-	-	7161134	S1A, S3A
			-	-	-	-	-	-	1	-	8026920	R3A
	16100-Z0L-872	CARBURETOR ASSY.(BB65E B) . . . .	-	-	-	-	-	1	-	-	7037044	S1M, S3H
	16100-Z0L-013	CARBURETOR ASSY.(BB62W B) . . . .	-	-	-	-	-	1	-	-	7055345	A1A, A2R, BHH, N1A
	16100-Z0L-862	CARBURETOR ASSY.(BB65A B) . . . .	-	-	-	-	-	1	-	-	7065312	A1AF, N1AF, N5AF, N5MF, N5R
	16100-Z0L-852	CARBURETOR ASSY.(BB62Z B) . . . .	-	-	-	-	-	1	-	-	7161135	S1A, S3A
			-	-	-	-	-	-	1	-	8026921	R3A

2

E-14

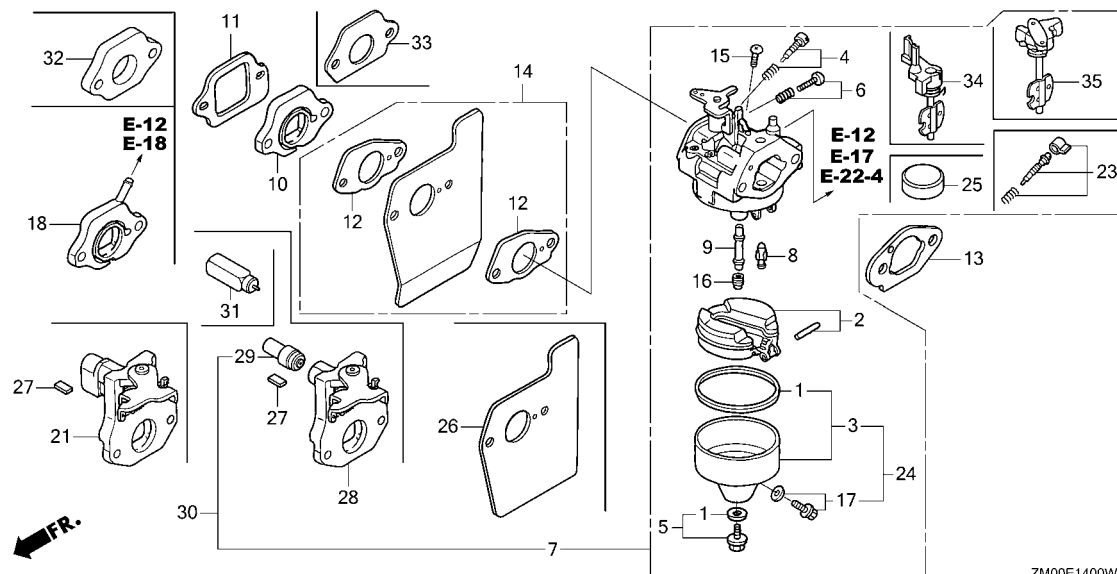
CARBURETOR

Ref. No.	Part No.	Description	Reqd. QTY										Serial No.	Parts catalogue code
			GCV 160	GCV 160 A	GCV 160 A0	GCV 160 E	GCV 160 LE	GCV 160 LA	GCV 160 LA0	GCV 160 LA1				
(7)	16100-Z8B-911	CARBURETOR ASSY.(BB76B A)	----	-	-	-	-	-	-	-	1	1	-----	G5B,G5B/A,G5BR,G5BR/A,N5B,N5B/A,N5BR,N5BR/A
	16100-Z8B-861	CARBURETOR ASSY.(BB71A A)	----	-	-	-	-	-	-	-	1	-	-----	G5AF,G5MF
	16100-Z1L-013	CARBURETOR ASSY.(BB62Y B)	----	-	-	-	-	-	-	-	1	-	-----	N7A1
	16100-Z0L-852	CARBURETOR ASSY.(BB62Z B)	----	-	-	-	-	-	-	-	1	-	-----	S1A
	16100-Z0L-874	CARBURETOR ASSY.(BB75E A)	----	-	-	-	-	-	-	-	1	-	-----	S1M
	16100-Z0L-852	CARBURETOR ASSY.(BB62Z B)	----	-	-	-	-	-	-	-	1	-	-----	2528590 R3A,S3A
	16100-Z0L-013	CARBURETOR ASSY.(BB62W B)	----	-	-	-	-	-	-	-	1	-	-----	2532399 A1A,A2R,BHH,N1A
	16100-Z0L-874	CARBURETOR ASSY.(BB75E A)	----	-	-	-	-	-	-	-	1	-	-----	2571950 S3H
	16100-Z0L-875	CARBURETOR ASSY.(BB75E B)	----	-	-	-	-	-	-	-	1	-	-----	2571950 S3T,SBT
	16100-Z1L-013	CARBURETOR ASSY.(BB62Y B)	----	-	-	-	-	-	-	-	1	-	-----	2899316 N7S1
	16100-Z8B-901	CARBURETOR ASSY.(BB76A A)	----	-	-	-	-	-	-	-	1	-	-----	7347972 S3DB
	16100-Z0L-863	CARBURETOR ASSY.(BB65A B)	----	-	-	-	-	-	-	-	1	-	-----	1854821 2748628 N1AF,N5AF,N5MF,N5R,N5RB
	16100-Z0L-853	CARBURETOR ASSY.(BB62Z C)	----	-	-	-	-	-	-	-	1	-	-----	2528591 3151054 R3A,S3A
	16100-Z0L-023	CARBURETOR ASSY.(BB62W C)	----	-	-	-	-	-	-	-	1	-	-----	2532400 3150136 A1A,A2R,BHH,N1A
	16100-Z0L-876	CARBURETOR ASSY.(BB75E C)	----	-	-	-	-	-	-	-	1	-	-----	2571951 3180268 S3H,S3T,SBT
	16100-Z0L-864	CARBURETOR ASSY.(BB65A C)	----	-	-	-	-	-	-	-	1	-	-----	2748629 3151216 N1AF,N5AF,N5MF,N5R,N5RB
	16100-Z1L-023	CARBURETOR ASSY.(BB62Y C)	----	-	-	-	-	-	-	-	1	-	-----	2899317 3463429 N7S1
	16100-Z8B-003	CARBURETOR ASSY.(BB65W A)	----	-	-	-	-	-	-	-	1	-	-----	3150137 ----- A1A,A2R,BHH,N1A
	16100-Z8B-851	CARBURETOR ASSY.(BB65U A)	----	-	-	-	-	-	-	-	1	-	-----	3151055 ----- R3A,S3A
	16100-Z8B-861	CARBURETOR ASSY.(BB71A A)	----	-	-	-	-	-	-	-	1	-	-----	3151217 ----- N1AF,N5AF,N5MF,N5R,N5RB
	16100-Z8B-871	CARBURETOR ASSY.(BB75G A)	----	-	-	-	-	-	-	-	1	-	-----	3180269 ----- S3H,S3T,SBT
	16100-Z8B-881	CARBURETOR ASSY.(BB65V A)	----	-	-	-	-	-	-	-	1	-	-----	3463430 ----- N7S1
	16100-Z8B-871	CARBURETOR ASSY.(BB75G A)	----	-	-	-	-	-	-	-	1	-	-----	7347973 ----- S3DB
	16100-Z8B-003	CARBURETOR ASSY.(BB65W A)	----	-	-	-	-	-	-	-	1	-	-----	A1A,A1A/A,A2R,A2R/A,N1A,N1A/A,SBA,SBA/A,SBH SBH/A
	16100-Z8B-861	CARBURETOR ASSY.(BB71A A)	----	-	-	-	-	-	-	-	1	-	-----	G5AF,G5AF/A,G5MF,G5MF/A,N5AF,N5AF/A
	16100-Z8B-871	CARBURETOR ASSY.(BB75G A)	----	-	-	-	-	-	-	-	1	-	-----	SBT
	16100-Z8B-842	CARBURETOR ASSY.(BB75J B)	----	-	-	-	-	-	-	-	1	-	-----	SBT/A
8	16155-ZM0-003	VALVE, FLOAT (CARBURETOR NO.)	----	1	-	-	-	-	-	-	-	-	-	-
			----	-	1	-	1	-	-	-	-	-	-----	BB62B D A1A,A1AS,A1C,A1E,A1E7,A1E8,A1G7,A1G9,A1P,A1W7 A2A,A2A9,A2C,A2E7,A2E8,A2E9,A2G4,A2G7,A2G9 A2R,A3E,A3E7,BHH,E1A2,E1A4,E1G7,E2G7,E5A4 EHHB,N1A,N1C,N1D,N1E1,N1E2,N1E7,N1J1,N1R,N1T8 N1T9,N1U,N1W7,N1W8,N1W9,N2E7,N2E8,N2E9,N2U N3U,N3V,N5A,N5C
			----	-	1	-	1	-	-	-	-	-	-----	BB62F A A7E1,N7A1
			----	-	1	-	1	-	-	-	-	-	-----	BB62G A R1A,R3A,R3A1,S1A,S1A1,S1E1,S2E,S2E1,S3A,STA1
	16155-ZM0-013	(CARBURETOR NO.)	----	-	1	-	1	-	-	-	-	-	-----	BB62B E ----- A1A,A1AS,A1C,A1E,A1E7,A1E8,A1G7,A1G9,A1P,A1W7 A2A,A2A9,A2C,A2E7,A2E8,A2E9,A2G4,A2G7,A2G9 A2R,A3E,A3E7,BHH,E1A2,E1A4,E1G7,E2G7,E5A4 EHHB,N1A,N1C,N1D,N1E1,N1E2,N1E7,N1J1,N1R,N1T8 N1T9,N1U,N1W7,N1W8,N1W9,N2E7,N2E8,N2E9,N2U N3U,N3V,N5A,N5C
			----	-	1	-	1	-	-	-	-	-	-----	BB62F B ----- A7E1,N7A1
			----	-	1	-	1	-	-	-	-	-	-----	BB62G B ----- R1A,R3A,R3A1,S1A,S1A1,S1E1,S2E,S2E1,S3A,STA1
			----	-	1	-	-	-	-	-	-	-	-----	A1AW,A1M,BHH1,C1E,C1E1,C2E,C2E1,C3E,C3E1,C4E C4E1,N1L,N5MF,N5R,N7S1,NBL1,RTL1,S1M,S2G7 S3A2,S3H,S3H2,STL1
	16155-ZM0-003	(CARBURETOR NO.)	----	-	1	-	-	-	-	-	-	-	-----	BB62H A A1AE,A1AF,A3A,N1AF,N5AF
	16155-ZM0-013	(CARBURETOR NO.)	----	-	1	-	-	-	-	-	-	-	-----	BB62H B ----- A1AE,A1AF,A3A,N1AF,N5AF
			----	-	-	-	1	-	1	1	1	1	-----	A3E9,A3G9,A3HV,A3T9,A3W7,A3W8,A4EV,A4G4,A4G7 A4G9,A7Q1,N2EE,N3T8,N3T9,N3W8,N3W9,S1G4,S2E2 S2E3,S3E9,S3G9,S4E4,S4E9,S4G4,S4G9,S4H4



# E-14

# CARBURETOR



ZM00E1400W

Ref. No.	Part No.	Description	Reqd. QTY								Serial No.	Parts catalogue code	
			GCV 160	GCV 160 A	GCV 160 A0	GCV 160 E	GCV 160 LE	GCV 160 LA	GCV 160 LA0	GCV 160 LA1			
9	16166-ZM0-003	NOZZLE, MAIN.....	1	1	-	-	1	1	-	-	-	-	A1A, A1AE, A1AF, A1AS, A1AW, A1C, A1E, A1E7, A1E8, A1G7, A1J, A1M, A1P, A1U, A1W2, A1W7, A2A, A2A9, A2C, A2E, A2E4, A2E7, A2E8, A2E9, A2G7, A2R, A2U, A3A, A3E, A4A9, A4E, A7E1, A7H1, BHH, BHH1, C1E, C1E1, C2E, C2E1, C3E, C3E1, C4E, C4E1, E1A2, E1A4, E1G7, E2G7, E5A4, EHHB, N1, N1A, N1AF, N1C, N1D, N1E1, N1E2, N1E7, N1J1, N1L, N1R, N1U, N1W, N1W1, N1W2, N1W7, N1W8, N1W9, N2, N2D, N2E, N2E1, N2E2, N2E3, N2E7, N2E8, N2E9, N2U, N3U, N3V, N5A, N5AF, N5C, N5MF, N5R, N7A1, N7S1, NBL1, R1A, R3A, R3A1, RTL1, S1A, S1A1, S3A, S3H2, STA1, STL1, S1M, S2E2, S2G7, S3A2, S3E9, S3H, S4E4, S4E9, G5B, G5B/A, G5BR, G5BR/A, N5B, N5B/A, N5BR, N5BR/A, S3B, S3B/A, S3HB, S3LB, S3LB/A, A1UV, A2UA, A4G4, A7H1, A7Q1, R3L, R3LE, S1M, S2G7, S3H, S3L, S3LE, S3T, S3TE, S4G7, S4LE, SBA, SBH, SBHE, SBL, SBT, SBTE
	16166-Z0L-841	.....	-	1	-	1	-	-	-	-	-	-	S3M, S2E2, S2G7, S3A2, S3E9, S3H, S4E4, S4E9
	16166-Z8B-901	.....	-	-	1	-	-	-	1	1	-	-	G5B, G5B/A, G5BR, G5BR/A, N5B, N5B/A, N5BR, N5BR/A, S3B, S3B/A, S3HB, S3LB, S3LB/A
	16166-Z2C-003	.....	-	-	1	-	-	-	1	-	-	-	A1UV, A2UA, A4G4, A7H1, A7Q1, R3L, R3LE, S1M, S2G7, S3H, S3L, S3LE, S3T, S3TE, S4G7, S4LE, SBA, SBH, SBHE, SBL, SBT, SBTE
	16166-ZM0-003	(CARBURETOR NO.)	-	-	1	-	-	-	1	-	-	-	BB62Z C R3A, S3H2
	16166-Z2C-003	(CARBURETOR NO.)	-	-	1	-	-	-	1	-	-	-	BB65U A ----- R3A, S3A, S3H2
	16166-Z8B-WA1	..	-	-	1	-	-	-	1	-	-	-	BB75G A ----- S3AL, S3DB, S4BB, S4GB, S4HB
	16166-ZM0-003	.....	-	-	1	-	-	-	-	-	-	-	A7H1/A, A7Q1/A, A7X1, N1U/A
	16166-Z8B-901	(CARBURETOR NO.)	-	-	1	-	-	-	-	-	-	-	A1G7, A1M, A2E7, A3G7, A3HV, A3T9, A4G7, C1E, C1E1, C2E, C2E1, C3E, C3E1, C4E, C4E1, E2G7, N1R, N2EE, N2KE, N3T8, N3V, N5RE, NBHT
	16166-Z8B-901	(CARBURETOR NO.)	-	-	1	-	-	-	-	-	-	-	BB62W C A1AW, A1E7, BHH1, N1L, N1U, N2U, N3U
	16166-Z8B-901	(CARBURETOR NO.)	-	-	1	-	-	-	-	-	-	-	BB76F A S3AL, S3DB, S4BB, S4GB, S4HB

# E-14

# CARBURETOR

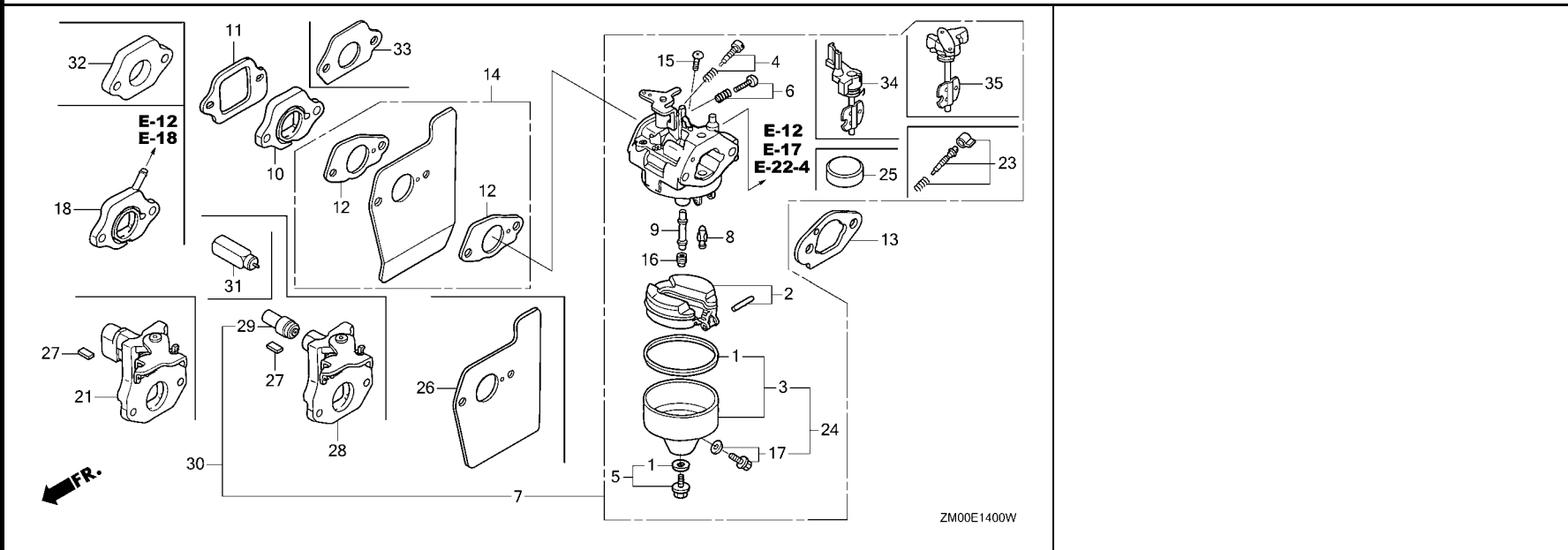
Ref. No.	Part No.	Description	Reqd. QTY								Serial No.	Parts catalogue code	
			GCV 160	GCV 160 A	GCV 160 A0	GCV 160 E	GCV 160 LE	GCV 160 LA	GCV 160 LA0	GCV 160 LA1			
(9)	16166-Z2C-003	NOZZLE, MAIN..... (CARBURETOR NO.)	-	-	1	-	-	-	-	-	-	BB65W A -----	A1AW, A1E7, BHH1, N1L, N1U, N2U, N3U
	16166-ZM0-003	.....	-	-	-	1	-	-	-	-	-	-----	A1E7, A1E8, A1G7, A1G9, A1P, A1W7, A2A9, A2E7, A2E8 A2E9, A2G4, A2G7, A2G9, A2R, A3E7, A3E9, A3G9, A3T9 A3W7, A3W8, A4G4, A4G7, A4G9, A7E1, A7Q1, N1D, N1E1 N1E2, N1E7, N1J1, N1R, N1T8, N1T9, N1W7, N1W8, N1W9 N2E7, N2E8, N2E9, N2EE, N3T8, N3T9, N3W8, N3W9, N7A1 S1E1, S2E, S2E1 A3HV, S1G4, S2E2, S3E9, S4E4, S4E9, S4H4
	16166-Z2C-003	.....	-	-	-	1	-	-	-	-	-	-----	
	16166-ZM0-003	.....	-	-	-	-	-	-	-	-	-	-----	BB62W C A4EV
	16166-Z1L-851	(CARBURETOR NO.)	-	-	-	1	-	-	-	-	-	-----	BB65K A S2E3, S3G9, S4G4, S4G9
	16166-Z2C-003	(CARBURETOR NO.)	-	-	-	1	-	-	-	-	-	-----	BB65W A ----- A4EV
		''	-	-	-	1	-	-	-	-	-	-----	BB75D A ----- S2E3, S3G9, S4G4, S4G9
		''	-	-	-	-	1	-	-	-	-	-----	BB65V A ----- A7H1, N7A1
	16166-Z0L-841	.....	-	-	-	-	-	1	-	-	-	-----	BB65E B S1M, S3H
	16166-Z2C-003	(CARBURETOR NO.)	-	-	-	-	-	-	1	-	-	-----	BB75E A ----- S1M, S3H
	16166-ZM0-003	.....	-	-	-	-	-	-	-	1	-	-----	A1AF, E1A2, N7A1, S1A
	16166-Z8D-851	.....	-	-	-	-	-	-	-	1	-	-----	G5AF, G5MF
	16166-ZM0-003	(CARBURETOR NO.)	-	-	-	-	-	-	-	1	-	-----	BB62W C A1A, A2R, BHH, N1A
		''	-	-	-	-	-	-	-	1	-	-----	BB62Y C N7S1, S3A
		''	-	-	-	-	-	-	-	1	-	-----	BB65A C N1AF, N5AF, N5MF, N5R, N5RB
	16166-Z8B-901	.....	-	-	-	-	-	-	-	1	-	-----	BB76A A S3DB
	16166-Z2C-003	(CARBURETOR NO.)	-	-	-	-	-	-	-	1	-	-----	BB65V A ----- N7S1
		''	-	-	-	-	-	-	-	1	-	-----	BB65W A ----- A1A, A2R, BHH, N1A
	16166-Z8D-851	.....	-	-	-	-	-	-	-	1	-	-----	BB71A A ----- N1AF, N5AF, N5MF, N5R, N5RB
	16166-Z2C-003	(CARBURETOR NO.)	-	-	-	-	-	-	-	1	-	-----	A1A, A1A/A, A2R, A2R/A, A7H1, N1A, N1A/A, SBA, SBA/A SBH, SBH/A, SBT
	16166-Z8D-851	.....	-	-	-	-	-	-	-	1	-	-----	G5AF, G5AF/A, G5MF, G5MF/A, N5AF, N5AF/A
	16166-Z8B-841	.....	-	-	-	-	-	-	-	1	-	-----	SBT/A
10	16211-ZL8-000	INSULATOR, CARBURETOR.....	1	1	-	-	1	1	-	-	-	-----	A1A, A1AE, A1AF, A1AS, A1AW, A1C, A1E, A1E7, A1E8 A1G7, A1J, A1M, A1P, A1U, A1W2, A1W7, A2A, A2A9, A2C A2E, A2E4, A2E7, A2E8, A2E9, A2G7, A2R, A2U, A3A, A3E A4A9, A4E, BHH, BHH1, C1E, C1E1, C2E, C2E1, C3E, C3E1 C4E, C4E1, E1A2, E1A4, E1G7, E2G7, E5A4, EHHB, N1, N1A N1AF, N1C, N1D, N1E1, N1E2, N1E7, N1J1, N1L, N1R, N1U N1W, N1W1, N1W2, N1W7, N1W8, N1W9, N2, N2D, N2E, N2E1 N2E2, N2E3, N2E7, N2E8, N2E9, N2U, N3U, N3V, N5A, N5AF N5C, N5MF, N5R, NBL1, R1A, R3A, R3A1, RTL1, S1A, S1A1 S3A, S3H2, STA1, STL1 A1G7, A1UV, A2UA, A3G7, A3HV, A3T9, A4G4, A4G7, G5AF G5MF, N1U/A, N2EE, N2KE, N3T8, NBHT, SBA, SBH, SBHE SBL
	16211-Z8B-000	.....	-	-	1	-	-	-	-	1	-	-----	A1E7, A1M, A2E7, BHH1, C1E, C1E1, C2E, C2E1, C3E, C3E1 C4E, C4E1, E2G7, N1L, N1R, N3U, N3V
	16211-ZL8-000	.....	-	-	1	-	-	-	-	-	-	-----	1864263 A1AW, N1U, N2U, N5RE, S3H2
	16211-Z8B-000	.....	-	-	1	-	-	-	-	-	-	-----	1864264 A1AW, N1U, N2U, N5RE, S3H2





# E-14

# CARBURETOR



Ref. No.	Part No.	Description	Reqd. QTY								Serial No.	Parts catalogue code
			GCV 160	GCV 160 A	GCV 160 A0	GCV 160 E	GCV 160 LE	GCV 160 LA	GCV 160 LA0	GCV 160 LA1		
10)	16211-ZL8-000	INSULATOR, CARBURETOR .....	-	-	-	1	-	-	-	-	-	A1E7, A1E8, A1G7, A1G9, A1P, A1W7, A2A9, A2E7, A2E8, A2E9, A2G4, A2G7, A2G9, A2R, A3E7, A3E9, A3G9, A3HV, A3T9, A3W7, A3W8, A4EV, A4G4, A4G7, A4G9, N1D, N1E1, N1E2, N1E7, N1J1, N1R, N1T8, N1T9, N1W7, N1W8, N1W9, N2E7, N2E8, N2E9, N2EE, N3T8, N3T9, N3W8, N3W9, S1E1, S2E, S2E1
			-	-	-	-	-	-	1	-	-	A1AF, E1A2, S1A
			-	-	-	-	-	-	1	-	3459379	A1A, A2R, BHH, N1A, N1AF, N5AF, N5MF, N5R, N5RB, R3A, S3A
	16211-Z8B-000	.....	-	-	-	-	-	-	1	-	3459380	A1A, A2R, BHH, N1A, N1AF, N5AF, N5MF, N5R, N5RB, R3A, S3A
			-	-	-	-	-	-	1	-	-	A1A, A1A/A, A2R, A2R/A, G5AF, G5AF/A, G5MF, G5MF/A, N1A, N1A/A, N5AF, N5AF/A, SBA, SBA/A, SBH, SBH/A



**E-14**

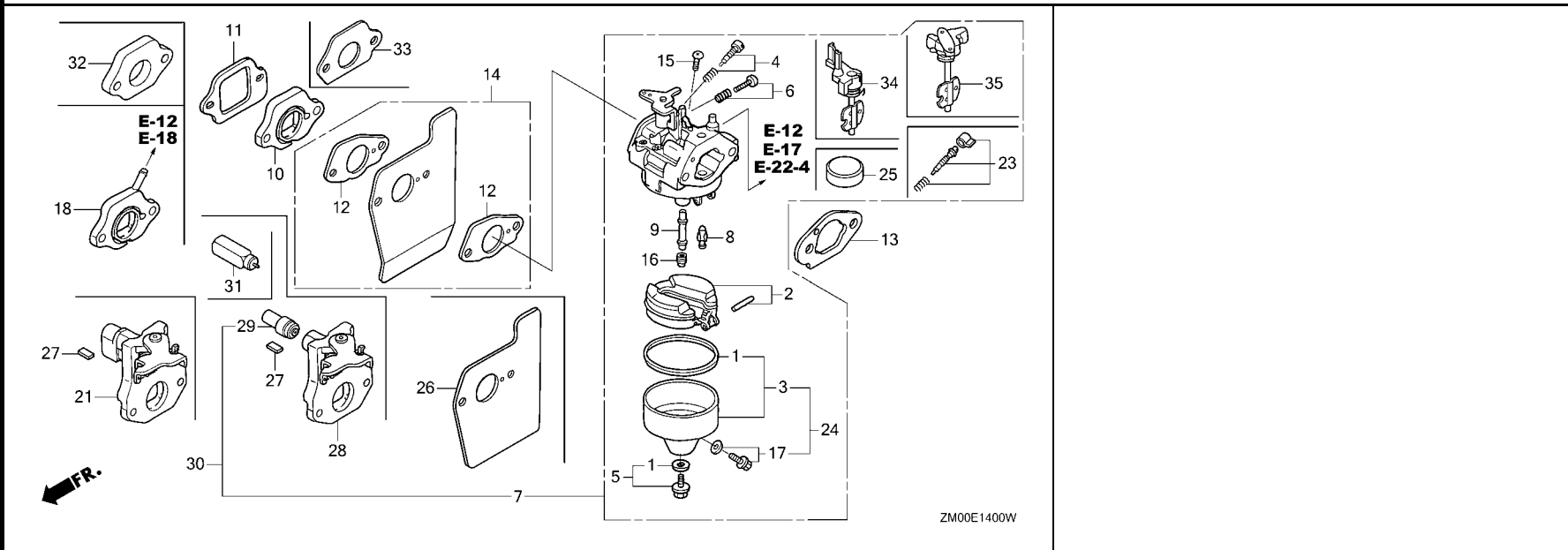
**CARBURETOR**

Ref. No.	Part No.	Description	Reqd. QTY										Serial No.	Parts catalogue code		
			GCV 160	GCV 160 A	GCV 160 A0	GCV 160 E	GCV 160 LE	GCV 160 LA	GCV 160 LA0	GCV 160 LA1						
11	16212-ZL8-000	PACKING, INSULATOR .....	1	1	1	1	1	1	1	1	1	1	1	-----	A1A, A1A/A, A1AE, A1AF, A1AS, A1AW, A1C, A1E, A1E7, A1E8, A1G7, A1G9, A1J, A1M, A1P, A1U, A1UV, A1W2, A1W7, A2A, A2A9, A2C, A2E, A2E4, A2E7, A2E8, A2E9, A2G4, A2G7, A2G9, A2R, A2R/A, A2U, A2UA, A3A, A3E, A3E7, A3E9, A3G7, A3G9, A3HV, A3T9, A3W7, A3W8, A4A9, A4E, A4EV, A4G4, A4G7, A4G9, A7E1, A7H1, A7H1/A, A7Q1, A7Q1/A, A7X1, BHH, BHH1, C1E, C1E1, C2E, C2E1, C3E, C3E1, C4E, C4E1, E1A2, E1A4, E1G7, E2G7, E5A4, EHHB, G5AF, G5AF/A, G5MF, G5MF/A, N1, N1A, N1A/A, N1AF, N1C, N1D, N1E1, N1E2, N1E7, N1J1, N1L, N1R, N1T8, N1T9, N1U, N1U/A, N1W, N1W1, N1W2, N1W7, N1W8, N1W9, N2, N2D, N2E, N2E1, N2E2, N2E3, N2E7, N2E8, N2E9, N2EE, N2KE, N2U, N3T8, N3T9, N3U, N3V, N3W8, N3W9, N5A, N5AF, N5AF/A, N5C, N5MF, N5R, N5RB, N5RE, N7A1, N7S1, NBHT, NBL1, R1A, R3A, R3A1, R3L, R3LE, RTL1, S1A, S1A1, S1E1, S1G4, S1M, S2E, S2E1, S2E2, S2E3, S2G7, S3A, S3A2, S3E9, S3G9, S3H, S3H2, S3L, S3LE, S3T, S3TE, S4E4, S4E9, S4G4, S4G7, S4G9, S4H4, S4LE, SBA, SBA/A, SBH, SBH/A, SBHE, SBL, SBT, SBT/A, SBTE, STA1, STL1	
12	16221-883-800	PACKING, CARBURETOR .....	2	-	-	-	-	-	-	-	-	-	-	-----	A1A, A1AF, A1AW, A1C, A1E, A1E8, A1W7, A2A, A2C, A2E8, A2E9, A2G7, A2R, A3A, A3E, A7E1, BHH, E1A2, E1A4, E1G7, E2G7, E5A4, EHHB, N1A, N1AF, N1C, N1E1, N1E7, N1W7, N1W8, N1W9, N2E7, N2E8, N2E9, N5AF, N5C, N5MF, N5R, N7A1, N7S1, R1A, R3A, R3A1, S1A, S1A1, S1M, S3A, S3H, STA1	
			-	2	-	-	-	-	-	-	-	-	-	6349022	A1AE, A1AS, A1E7, A1M, A2E7, BHH1, C1E, C1E1, C2E, C2E1, C3E, C3E1, C4E, C4E1, N1L, N1R, N1U, N2U, N3U, N3V, N5A, NBL1, RTL1, S2G7, S3A2, S3H2, STL1	
			-	-	-	2	2	-	-	-	-	-	-	2441644	A1E7, A1E8, A1G7, A1G9, A1P, A1W7, A2A9, A2E7, A2E8, A2E9, A2G4, A2G7, A2G9, A2R, A3E7, A3E9, A3G9, A3T9, A3W7, A3W8, A4A9, A4G4, A4G7, A4G9, A7E1, N1D, N1E1, N1E2, N1E7, N1J1, N1R, N1T8, N1T9, N1W7, N1W8, N1W9, N2E7, N2E8, N2E9, N3T8, N3T9, N3W8, N3W9, N7A1, S1E1, S2E, S2E1, S2E2, S2E3, S3E9, S3G9, S4E4, S4E9, S4G4, S4G9	
			-	-	-	-	-	2	-	-	-	-	-	-----	E1A2, R3A	
			-	-	-	-	-	2	-	-	-	-	-	6349022	A1A, A1AF, A2R, BHH, N1A, N1AF, N5AF, N5MF, N5R, N7A1, N7S1, S1A, S1M, S3A, S3H	
13	16228-ZL8-000	PACKING, CARBURETOR .....	1	1	-	1	1	1	-	-	-	-	-----	A1A, A1AE, A1AF, A1AS, A1AW, A1C, A1E, A1E7, A1E8, A1G7, A1G9, A1J, A1M, A1P, A1U, A1W2, A1W7, A2A, A2A9, A2C, A2E, A2E4, A2E7, A2E8, A2E9, A2G4, A2G7, A2G9, A2R, A2U, A3A, A3E, A3E7, A3E9, A3G9, A3HV, A3T9, A3W7, A3W8, A4A9, A4E, A4EV, A4G4, A4G7, A4G9, A7E1, A7H1, A7Q1, BHH, BHH1, C1E, C1E1, C2E, C2E1, C3E, C3E1, C4E, C4E1, E1A2, E1A4, E1G7, E2G7, E5A4, EHHB, N1, N1A, N1AF, N1C, N1D, N1E1, N1E2, N1E7, N1J1, N1L, N1R, N1T8, N1T9, N1U, N1W, N1W1, N1W2, N1W7, N1W8, N1W9, N2, N2D, N2E, N2E1, N2E2, N2E3, N2E7, N2E8, N2E9, N2EE, N2U, N3T8, N3T9, N3U, N3V, N3W8, N3W9, N5A, N5AF, N5C, N5MF, N5R, N7A1, N7S1, NBL1, R1A, R3A, R3A1, RTL1, S1A, S1A1, S1E1, S2E, S2E1, S3A, S3H2, STA1, STL1		
	16228-Z0L-840	PACKING, CARBURETOR (CHOKE SIDE)	-	1	1	1	-	1	-	-	-	-	-	-----	S1G4, S1M, S2G7, S3A2, S3H, S4G7, S4H4	



# E-14

# CARBURETOR



ZM00E1400W

Ref. No.	Part No.	Description	Reqd. QTY								Serial No.	Parts catalogue code
			GCV 160	GCV 160 A	GCV 160 A0	GCV 160 E	GCV 160 LE	GCV 160 LA	GCV 160 LA0	GCV 160 LA1		
13)	16228-ZL8-000	PACKING, CARBURETOR.....	-	-	1	-	-	-	-	-	-	A1AW, A1E7, A1G7, A1M, A1UV, A2E7, A2UA, A3G7, A3HV, A3T9, A4G4, A4G7, A7Q1, A7Q1/A, BHH1, C1E, C1E1, C2E, C2E1, C3E, C3E1, C4E, C4E1, E2G7, N1L, N1R, N1U, N1U/A, N2EE, N2KE, N2U, N3T8, N3U, N3V, NBHT, SBHE, N5RE, S3H2
	16228-Z0L-840	PACKING, CARBURETOR (CHOKE SIDE)	-	-	1	-	-	-	-	-	-	1827257 S3TE, SBTE
	16228-ZL8-000	PACKING, CARBURETOR.....	-	-	-	1	-	-	-	-	-	2441275 S2E2, S2E3, S3E9, S3G9, S4E4, S4E9, S4G4, S4G9
	16228-Z0L-840	PACKING, CARBURETOR (CHOKE SIDE)	-	-	-	1	-	-	-	-	-	2441276 S2E2, S2E3, S3E9, S3G9, S4E4, S4E9, S4G4, S4G9
	16228-ZL8-000	PACKING, CARBURETOR.....	-	-	-	-	-	-	1	1	-	A1A, A1A/A, A1AF, A2R, A2R/A, A7H1, A7H1/A, A7X1, BHH, E1A2, N1A, N1A/A, N7A1, N7S1, S1A, SBA, SBA/A, SBH, SBH/A, SBL
	16228-Z0L-840	PACKING, CARBURETOR (CHOKE SIDE)	-	-	-	-	-	-	1	-	-	S1M
	16228-ZL8-000	PACKING, CARBURETOR.....	-	-	-	-	-	-	1	-	-	3454521 N1AF, N5AF, N5MF, N5R, N5RB, R3A, S3A
	16228-Z0L-840	PACKING, CARBURETOR (CHOKE SIDE)	-	-	-	-	-	-	1	-	-	3454521 S3H, S3T, SBT



**E-14**

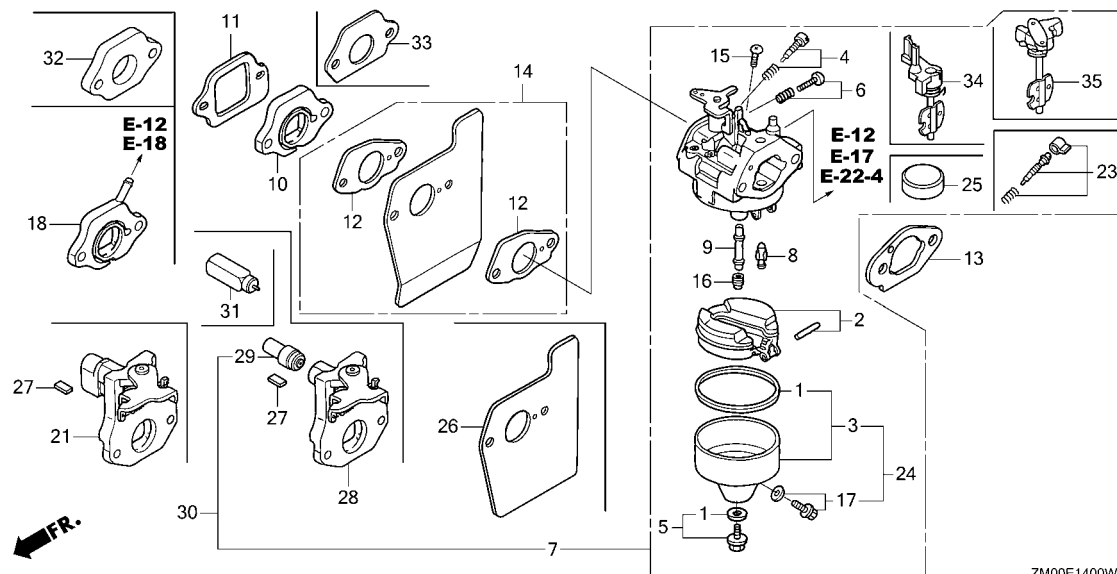
**CARBURETOR**

Ref. No.	Part No.	Description	Reqd. QTY									Serial No.	Parts catalogue code	
			GCV 160	GCV 160 A	GCV 160 A0	GCV 160 E	GCV 160 LE	GCV 160 LA	GCV 160 LA0	GCV 160 LA1				
14	19650-ZM0-000	GUIDE COMP., AIR.....	1	-	-	-	-	-	-	-	-	-	-----	A1A, A1AF, A1AW, A1C, A1E, A1E8, A1W7, A2A, A2C, A2E8, A2E9, A2G7, A2R, A3A, A3E, A7E1, BHH, E1A2, E1A4, E1G7, E2G7, E5A4, EHBB, N1A, N1AF, N1C, N1E1, N1E7, N1W7, N1W8, N1W9, N2E7, N2E8, N2E9, N5AF, N5C, N5MF, N5R, N7A1, N7S1, R1A, R3A, R3A1, S1A, S1A1, S1M, S3A, S3H, STA1
			-	1	-	-	-	-	-	-	-	-	-----	6349022 A1AE, A1AS, A1E7, A1M, A2E7, BHH1, C1E, C1E1, C2E, C2E1, C3E, C3E1, C4E, C4E1, N1L, N1R, N1U, N2U, N3U, N3V, N5A, NBL1, RTL1, S2G7, S3A2, S3H2, STL1
			-	-	-	1	1	-	-	-	-	-	-----	2441644 A1E7, A1E8, A1G7, A1G9, A1P, A1W7, A2A9, A2E7, A2E8, A2E9, A2G4, A2G7, A2G9, A2R, A3E7, A3E9, A3G9, A3T9, A3W7, A3W8, A4A9, A4G4, A4G7, A4G9, A7E1, N1D, N1E1, N1E2, N1E7, N1J1, N1R, N1T8, N1T9, N1W7, N1W8, N1W9, N2E7, N2E8, N2E9, N3T8, N3T9, N3W8, N3W9, N7A1, S1E1, S2E, S2E1, S2E2, S2E3, S3E9, S3G9, S4E4, S4E9, S4G4, S4G9
			-	-	-	-	-	1	-	-	-	-	-----	E1A2, R3A
			-	-	-	-	-	1	-	-	-	-	-----	6349022 A1A, A1AF, A2R, BHH, N1A, N1AF, N5AF, N5MF, N5R, N7A1, N7S1, S1A, S1M, S3A, S3H
15	93500-05006-1H	SCREW, PAN, 5X6.....	1	1	1	1	1	1	-	-	-	-	-----	A1A, A1A/A, A1AF, A2R, A2R/A, A7H1, A7H1/A, A7X1, BHH, E1A2, G5B, G5B/A, G5BR, G5BR/A, N1A, N1A/A, N5B, N5B/A, N5BR, N5BR/A, N7A1, N7S1, R3A, R3L, S1A, S1M, S3A, S3B, S3B/A, S3DB, S3H, S3L, S3LB, S3LB/A, S3T, SBA, SBA/A, SBH, SBH/A, SBL, SBT, SBT/A
		(CARBURETOR NO.)	-	-	-	-	-	-	1	-	-	-	-----	BB65A C N1AF, N5AF, N5MF, N5R, N5RB
16	99101-124-0600	JET, MAIN, #60.....	(1)	(1)	(1)	(1)	(1)	(1)	(1)	(1)	-	-	-----	A1A, A1AE, A1AF, A1AS, A1AW, A1C, A1E, A1E7, A1E8, A1G7, A1G9, A1J, A1M, A1P, A1U, A1UV, A1W2, A1W7, A2A, A2A9, A2C, A2E, A2E4, A2E7, A2E8, A2E9, A2G4, A2G7, A2G9, A2R, A2U, A2UA, A3A, A3E, A3E7, A3E9, A3G7, A3G9, A3HV, A3T9, A3W7, A3W8, A4A9, A4E, A4EV, A4G4, A4G7, A4G9, A7E1, A7H1, A7Q1, BHH, BHH1, C1E, C1E1, C2E, C2E1, C3E, C3E1, C4E, C4E1, E1A2, E1A4, E1G7, E2G7, E5A4, EHBB, N1, N1A, N1AF, N1C, N1D, N1E1, N1E2, N1E7, N1J1, N1L, N1R, N1T8, N1T9, N1U, N1W, N1W1, N1W2, N1W7, N1W8, N1W9, N2, N2D, N2E, N2E1, N2E2, N2E3, N2E7, N2E8, N2E9, N2EE, N2KE, N2U, N3T8, N3T9, N3U, N3V, N3W8, N3W9, N5A, N5AF, N5C, N5MF, N5R, N5RB, N5RE, N7A1, N7S1, NBHT, NBL1, R1A, R3A, R3A1, R3L, R3LE, RTL1, S1A, S1A1, S1E1, S2E, S2E1, S2E3, S3A, S3G9, S3H2, S3L, S3LE, S4G4, S4G7, S4G9, S4LE, SBA, SBH, SBHE, SBL, STA1, STL1



# E-14

# CARBURETOR



Ref. No.	Part No.	Description	Reqd. QTY								Serial No.	Parts catalogue code
			GCV 160	GCV 160 A	GCV 160 A0	GCV 160 E	GCV 160 LE	GCV 160 LA	GCV 160 LA0	GCV 160 LA1		
16)	99101-124-0650	JET, MAIN, #65	1	1	1	1	1	1	-	-	-	A1A, A1AE, A1AF, A1AS, A1AW, A1C, A1E, A1E7, A1E8, A1G7, A1G9, A1J, A1M, A1P, A1U, A1UV, A1W2, A1W7, A2A, A2A9, A2C, A2E, A2E4, A2E7, A2E8, A2E9, A2G4, A2G7, A2G9, A2R, A2U, A2UA, A3A, A3E, A3E7, A3E9, A3G7, A3G9, A3HV, A3T9, A3W7, A3W8, A4A9, A4E, A4EV, A4G4, A4G7, A4G9, A7E1, A7H1, A7Q1, BHH, BHH1, C1E, C1E1, C2E, C2E1, C3E, C3E1, C4E, C4E1, E1A2, E1A4, E1G7, E2G7, E5A4, EHHB, N1, N1A, N1AF, N1C, N1D, N1E1, N1E2, N1E7, N1J1, N1L, N1R, N1T8, N1T9, N1U, N1W, N1W1, N1W2, N1W7, N1W8, N1W9, N2, N2D, N2E, N2E1, N2E2, N2E3, N2E7, N2E8, N2E9, N2EE, N2KE, N2U, N3T8, N3T9, N3U, N3V, N3W8, N3W9, N5A, N5AF, N5C, N5MF, N5R, N5RE, N7A1, N7S1, NBHT, NBL1, R1A, R3A, R3A1, R3LE, RTL1, S1A, S1A1, S1E1, S2E, S2E1, S3A, S3H2, S3LE, S4G7, S4LE, SBHE, STA1, STL1
	99101-124-0620	JET, MAIN, #62	(1)	(1)	-	-	(1)	(1)	-	(1)	-	A1A, A1A/A, A1AE, A1AF, A1AS, A1AW, A1C, A1E, A1E7, A1E8, A1G7, A1J, A1M, A1P, A1U, A1W2, A1W7, A2A, A2A9, A2C, A2E, A2E4, A2E7, A2E8, A2E9, A2G7, A2R, A2R/A, A2U, A3A, A3E, A4A9, A4E, A7E1, A7H1, A7H1/A, A7X1, BHH, BHH1, C1E, C1E1, C2E, C2E1, C3E, C3E1, C4E, C4E1, E1A2, E1A4, E1G7, E2G7, E5A4, EHHB, G5AF, G5AF/A, G5MF, G5MF/A, N1, N1A, N1A/A, N1AF, N1C, N1D, N1E1, N1E2, N1E7, N1J1, N1L, N1R, N1U, N1W, N1W1, N1W2, N1W7, N1W8, N1W9, N2, N2D, N2E, N2E1, N2E2, N2E3, N2E7, N2E8, N2E9, N2U, N3U, N3V, N5A, N5AF, N5AF/A, N5C, N5MF, N5R, N7A1, N7S1, NBL1, R1A, R3A, R3A1, RTL1, S1A, S1A1, S3A, S3H2, SBA, SBA/A, SBH, SBH/A, SBT, SBT/A, STA1, STL1
	99101-124-0650	JET, MAIN, #65	-	(1)	(1)	(1)	-	(1)	-	-	-	A7Q1/A, N1U/A, S1G4, S1M, S2E2, S2G7, S3A2, S3E9, S3H, S3TE, S4E4, S4E9, S4H4, SBTE



# E-14

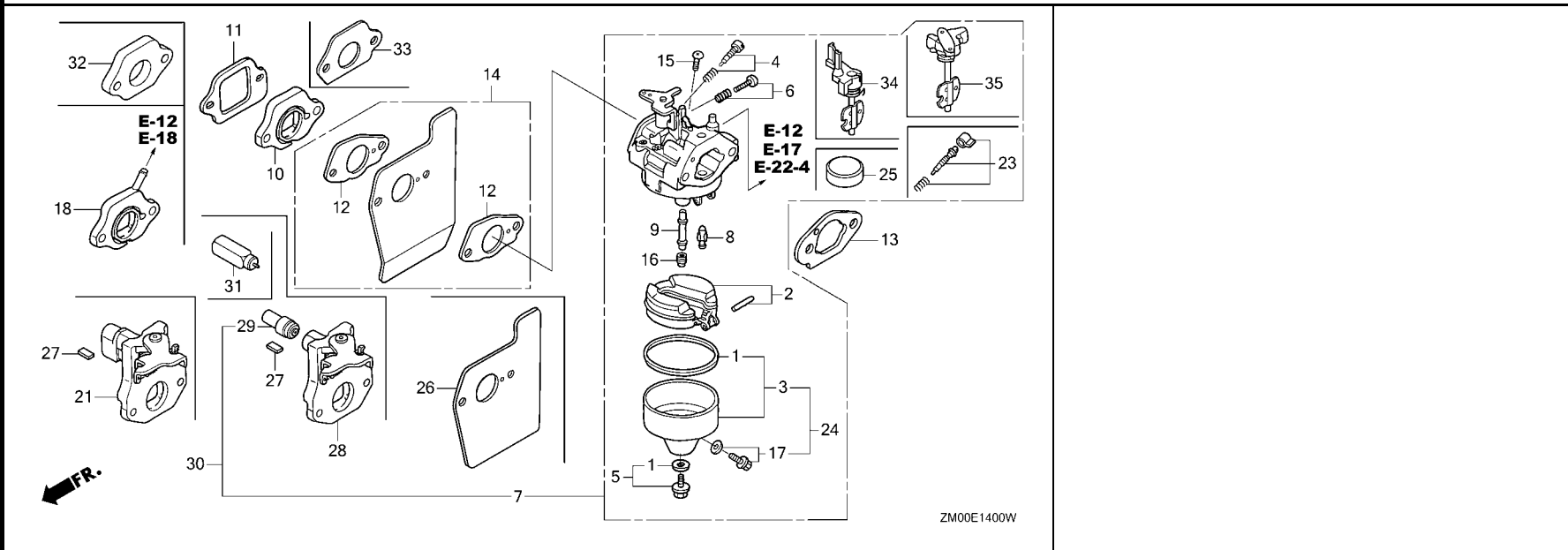
# CARBURETOR

Ref. No.	Part No.	Description	Reqd. QTY									Serial No.	Parts catalogue code
			GCV 160	GCV 160 A	GCV 160 A0	GCV 160 E	GCV 160 LE	GCV 160 LA	GCV 160 LA0	GCV 160 LA1			
16)	99101-124-0680	JET, MAIN, #68	-	(1)	-	(1)	-	-	-	-	-	S1M, S2E2, S2G7, S3A2, S3E9, S3H, S4E4, S4E9	
	99101-124-0700	JET, MAIN, #70	-	1	-	1	-	-	-	-	-	S1M, S2E2, S2G7, S3A2, S3E9, S3H, S4E4, S4E9	
	99101-124-0680	JET, MAIN, #68	-	-	1	1	-	-	1	-	-	A7Q1/A, G5AF, G5MF, N1U/A, S1G4, S1M, S2E2, S2G7 S3E9, S3TE, S4E4, S4E9, S4H4, SBTE	
	99101-124-0550	JET, MAIN, #55	-	-	(1)	-	-	-	(1)	(1)	-	G5B, G5B/A, G5BR, G5BR/A, N5B, N5B/A, N5BR, N5BR/A S3B, S3B/A, S3HB, S3LB, S3LB/A	
	99101-124-0580	JET, MAIN, #58	-	-	(1)	-	-	-	(1)	(1)	-	G5B, G5B/A, G5BR, G5BR/A, N5B, N5B/A, N5BR, N5BR/A S3B, S3B/A, S3HB, S3LB, S3LB/A	
	99101-124-0600	JET, MAIN, #60	-	-	1	-	-	-	1	1	-	G5B, G5B/A, G5BR, G5BR/A, N5B, N5B/A, N5BR, N5BR/A S3B, S3B/A, S3HB, S3LB, S3LB/A	
	(CARBURETOR NO.)		-	-	(1)	-	-	-	(1)	-	BB75G A	S3AL, S3DB, S3H, S3T, S4BB, S4GB, S4HB, SBT	
	99101-124-0650	JET, MAIN, #65	-	-	1	-	-	-	1	-	BB75G A	S3AL, S3DB, S3H, S3T, S4BB, S4GB, S4HB, SBT	
	99101-124-0620	JET, MAIN, #62	-	-	(1)	-	-	-	(1)	-	BB75G A	S3AL, S3DB, S3H, S3T, S4BB, S4GB, S4HB, SBT	
	(CARBURETOR NO.)		-	-	(1)	-	-	-	(1)	-	BB75G A	S3AL, S3DB, S3H, S3T, S4BB, S4GB, S4HB, SBT	
	99101-124-0680	JET, MAIN, #68	-	-	(1)	-	-	-	-	-	-	A1AW, A1E7, A1G7, A1M, A1UV, A2E7, A2UA, A3G7, A3HV A3T9, A4G4, A4G7, A7Q1, A7Q1/A, BHH1, C1E, C1E1, C2E C2E1, C3E, C3E1, C4E, C4E1, E2G7, N1L, N1R, N1U, N1U/A N2EE, N2KE, N2U, N3T8, N3U, N3V, N5RE, NBHT, R3LE S2G7, S3H2, S3LE, S3TE, S4G7, S4LE, SBHE, SBTE	
	99101-124-0550	JET, MAIN, #55	-	-	(1)	-	-	-	-	-	-	SBTE	
	(CARBURETOR NO.)		-	-	(1)	-	-	-	-	-	BB76F A	S3AL, S3DB, S4BB, S4GB, S4HB	
	99101-124-0580	JET, MAIN, #58	-	-	(1)	-	-	-	-	-	BB76F A	S3AL, S3DB, S4BB, S4GB, S4HB	
	(CARBURETOR NO.)		-	-	(1)	-	-	-	-	-	BB76F A	S3AL, S3DB, S4BB, S4GB, S4HB	
	99101-124-0600	JET, MAIN, #60	-	-	1	-	-	-	-	-	BB76F A	S3AL, S3DB, S4BB, S4GB, S4HB	
	99101-124-0620	JET, MAIN, #62	-	-	-	(1)	-	-	-	-	BB76F A	S3AL, S3DB, S4BB, S4GB, S4HB A1E7, A1E8, A1G7, A1G9, A1P, A1W7, A2A9, A2E7, A2E8 A2E9, A2G4, A2G7, A2G9, A2R, A3E7, A3E9, A3G9, A3HV A3T9, A3W7, A3W8, A4EV, A4G4, A4G7, A4G9, A7E1, A7Q1 N1D, N1E1, N1E2, N1E7, N1J1, N1R, N1T8, N1T9, N1W7 N1W8, N1W9, N2E7, N2E8, N2E9, N3T8, N3T9, N3W8, N3W9 N7A1, S1E1, S1G4, S2E, S2E1, S2E3, S3G9, S4G4, S4G9 S4H4	
	99101-124-0600	JET, MAIN, #60	-	-	-	(1)	-	-	-	-	BB65K A	S2E3, S3G9, S4G4, S4G9	
	(CARBURETOR NO.)		-	-	-	(1)	-	-	-	-	BB65K A	S2E3, S3G9, S4G4, S4G9	
	99101-124-0650	JET, MAIN, #65	-	-	-	(1)	-	-	-	-	BB75D A	S2E3, S3G9, S4G4, S4G9	
	(CARBURETOR NO.)		-	-	-	(1)	-	-	-	-	BB75D A	S2E3, S3G9, S4G4, S4G9	
	99101-124-0680	JET, MAIN, #68	-	-	-	-	-	(1)	-	-	BB65E B	S1M, S3H	
	(CARBURETOR NO.)		-	-	-	-	-	(1)	-	-	BB65E B	S1M, S3H	
	99101-124-0700	JET, MAIN, #70	-	-	-	-	-	1	-	-	BB75E A	S1M, S3H	
	(CARBURETOR NO.)		-	-	-	-	-	(1)	-	-	BB75E A	S1M, S3H	
	99101-124-0620	JET, MAIN, #62	-	-	-	-	-	1	-	-	BB75E A	S1M, S3H	
	(CARBURETOR NO.)		-	-	-	-	-	1	-	-	BB75E A	S1M, S3H	
	99101-124-0680	JET, MAIN, #68	-	-	-	-	-	1	-	-	BB75E A	S1M, S3H	
	(CARBURETOR NO.)		-	-	-	-	-	1	-	-	BB75E A	S1M, S3H	
	99101-124-0620	JET, MAIN, #62	-	-	-	-	-	-	(1)	-	BB65A C	S1M, S3H, S3L, S3T, SBA, SBH, SBL A1A, A1AF, A2R, A7H1, BHH, E1A2, G5AF, G5MF, N1A, N1AF N5AF, N5MF, N5R, N5RB, N7A1, N7S1, R3A, R3L, S1A, S1M S3A, S3H, S3L, S3T, SBA, SBH, SBL	
	99101-124-0650	JET, MAIN, #65	-	-	-	-	-	-	1	-	BB65A C	S1M, S3H, S3L, S3T, SBA, SBH, SBL A1A, A1AF, A2R, A7H1, BHH, E1A2, N1A, N7A1, N7S1, R3A R3L, S1A, S3A, S3L, SBA, SBH, SBL	
	(CARBURETOR NO.)		-	-	-	-	-	-	(1)	-	BB65A C	S1M, S3H, S3L, S3T, SBA, SBH, SBL G5AF, G5MF, S1M	
	99101-124-0680	JET, MAIN, #68	-	-	-	-	-	-	1	-	BB75E C	S3H, S3T, SBT	
	(CARBURETOR NO.)		-	-	-	-	-	-	1	-	BB75E C	S3H, S3T, SBT	



# E-14

# CARBURETOR



Ref. No.	Part No.	Description	Reqd. QTY								Serial No.	Parts catalogue code
			GCV 160	GCV 160 A	GCV 160 A0	GCV 160 E	GCV 160 LE	GCV 160 LA	GCV 160 LA0	GCV 160 LA1		
16)	99101-124-0550	JET, MAIN, #55 (CARBURETOR NO.)	-	-	-	-	-	-	-	(1)	-	BB76A A S3DB
	99101-124-0580	JET, MAIN, #58 (CARBURETOR NO.)	-	-	-	-	-	-	-	(1)	-	BB76A A S3DB
	99101-124-0600	JET, MAIN, #60 (CARBURETOR NO.)	-	-	-	-	-	-	-	1	-	BB76A A S3DB
	99101-124-0680	JET, MAIN, #68 (CARBURETOR NO.)	-	-	-	-	-	-	-	1	-	BB71A A ----- N1AF, N5AF, N5MF, N5R, N5RB
	99101-124-0600	JET, MAIN, #60	-	-	-	-	-	-	-	(1)	-	----- A1A, A1A/A, A2R, A2R/A, A7H1, N1A, N1A/A, SBA, SBA/A SBH, SBH/A, SBT
	99101-124-0650	JET, MAIN, #65	-	-	-	-	-	-	-	1	-	----- A1A, A1A/A, A2R, A2R/A, A7H1, N1A, N1A/A, SBA, SBA/A SBH, SBH/A, SBT
			-	-	-	-	-	-	-	(1)	-	----- A7H1/A, A7X1, G5AF, G5AF/A, G5MF, G5MF/A, N5AF N5AF/A, SBT/A
	99101-124-0680	JET, MAIN, #68	-	-	-	-	-	-	-	1	-	----- A7H1/A, A7X1, G5AF, G5AF/A, G5MF, G5MF/A, N5AF N5AF/A, SBT/A



**E-14**

**CARBURETOR**

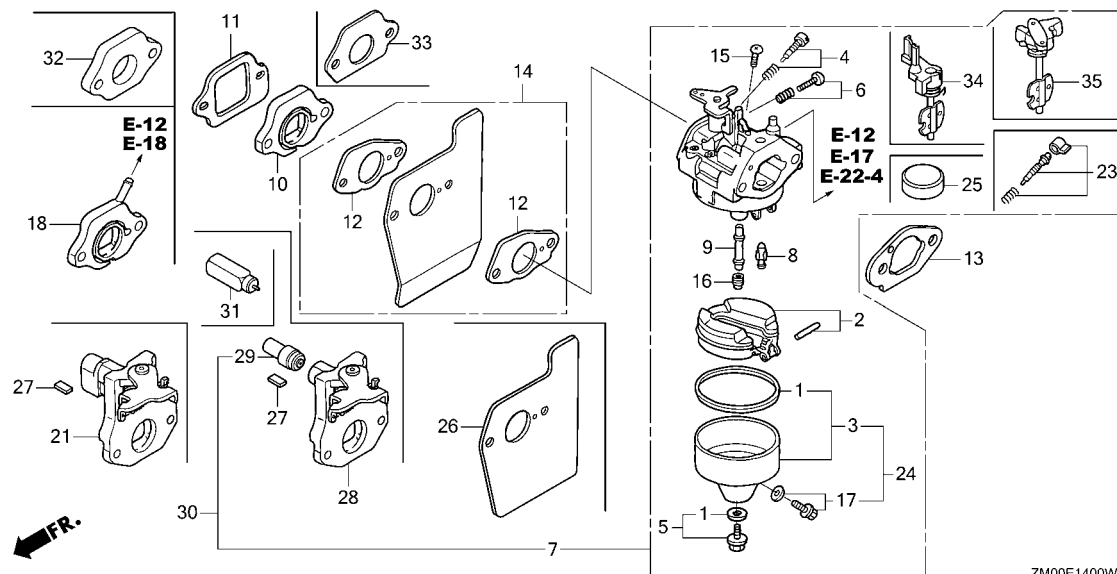
Ref. No.	Part No.	Description	Reqd. QTY									Serial No.	Parts catalogue code	
			GCV 160	GCV 160 A	GCV 160 A0	GCV 160 E	GCV 160 LE	GCV 160 LA	GCV 160 LA0	GCV 160 LA1				
17	16024-ZE1-811	SCREW SET, DRAIN.....	1	-	-	-	-	-	-	-	-	-----	A1E7, A1E8, A1G7, A1W2, A1W7, A2E4, A2E7, A2E8, A2E9, A2G7, A2R, A7E1, N1E7, N1J1, N1R, N1W1, N1W2, N1W7, N1W8, N1W9, N2E7, N2E8, N2E9, N3U, N7A1	
		(CARBURETOR NO.)	1	-	-	-	-	-	-	-	-	BB62A D	-----	A1E, A1J, A1P, A1U, A2E, A2U, A3E, A4E, N1, N1D, N1E1, N1E2, N1U, N1W, N2, N2D, N2E, N2E1, N2E2, N2E3, N2U, N3V
		,,	1	-	-	-	-	-	-	-	-	BB62B D	-----	A1A, A1C, A2A, A2C
		,,	-	1	-	1	-	-	-	-	-	BB62Z A	-----	S1E1, S2E1, S3H2
		,,	-	1	-	-	-	-	-	-	-	-----	-----	A1A, A1AE, A1AF, A1AS, A1C, A1E, A1E8, A1W7, A2A, A2C, A2E8, A2E9, A2G7, A2R, A3A, A3E, A7E1, BHH, E1A2, E1A4, E1G7, E5A4, EHHB, N1A, N1AF, N1C, N1E1, N1E7, N1W7, N1W8, N1W9, N2E7, N2E8, N2E9, N5A, N5AF, N5C, N5MF, N5R, N7A1, N7S1, NBL1, R1A, R3A, R3A1, RTL1, S1A, S1A1, S1M, S3A, S3A2, S3H, STA1, STL1
		,,	-	1	-	-	-	-	-	-	-	BB62W A	-----	A1AW, A1E7, A1M, A2E7, BHH1, C1E, C1E1, C2E, C2E1, C3E, C3E1, C4E, C4E1, E2G7, N1L, N1R, N1U, N2U, N3U, N3V
		,,	-	1	-	-	-	-	-	-	-	BB65E A	-----	S2G7
		,,	-	-	-	1	-	-	-	-	-	-----	-----	A1E7, A1E8, A1G7, A1W7, A2A9, A2E7, A2E8, A2E9, A2R, N1D, N1E1, N1E2, N1E7, N1R, N1T8, N1W8, N1W9, N2E9, N3T9, N7A1, S2E, S2E2, S3E9, S4E4, S4E9
		,,	-	-	-	1	-	-	-	-	-	BB62W A	-----	A1G9, A1P, A2G4, A2G7, A2G9, A3E7, A3E9, A3G9, A3T9, A3W7, A3W8, A4G4, A4G7, A4G9, N1J1, N1T9, N1W7, N2E7, N2E8, N3T8, N3W8, N3W9
		,,	-	-	-	1	-	-	-	-	-	BB62Y A	-----	A7E1
		,,	-	-	-	1	-	-	-	-	-	BB65K A	-----	S2E3, S3G9, S4G4, S4G9
		,,	-	-	-	-	1	1	-	-	-	BB62W A	-----	A1A, A2A9, A2R, A4A9, BHH, N1A
		,,	-	-	-	-	1	1	-	-	-	BB62Y A	-----	N7A1, N7S1
		,,	-	-	-	-	-	1	-	-	-	-----	-----	E1A2
		,,	-	-	-	-	-	1	-	-	-	BB62Z A	-----	R3A, S1A, S3A
		,,	-	-	-	-	-	1	-	-	-	BB65A A	-----	A1AF, N1AF, N5AF, N5MF, N5R
		,,	-	-	-	-	-	1	-	-	-	BB65E A	-----	S1M, S3H
18	16210-Z0M-780	INSULATOR COMP., CARBURETOR..	1	1	-	-	-	1	-	-	-	-----	A7E1, N7A1, N7S1	
	16211-Z8D-800	INSULATOR, CARBURETOR .....	-	-	1	-	-	-	1	1	-	-----	A7H1, A7H1/A, A7Q1, A7Q1/A, A7X1	
	16210-Z0M-780	INSULATOR COMP., CARBURETOR..	-	-	-	1	-	-	-	-	-	-----	N7A1	
			-	-	-	1	-	-	-	-	-	3374705	A7E1, A7Q1	
	16211-Z8D-800	INSULATOR, CARBURETOR .....	-	-	-	1	-	-	-	-	-	3374706	A7E1, A7Q1	
	16210-Z0M-780	INSULATOR COMP., CARBURETOR..	-	-	-	-	1	-	-	-	-	3406723	A7H1, N7A1	
	16211-Z8D-800	INSULATOR, CARBURETOR .....	-	-	-	-	1	-	-	-	-	3406724	A7H1, N7A1	
	16210-Z0M-780	INSULATOR COMP., CARBURETOR..	-	-	-	-	-	-	1	-	-	1854820	N7A1, N7S1	
	16211-Z8D-800	INSULATOR, CARBURETOR .....	-	-	-	-	-	-	1	-	-	1854821	N7A1, N7S1	
21	16600-Z0L-840	CONTROL ASSY., CHOKE.....	-	1	-	-	-	1	-	-	-	-----	S1M, S2G7, S3A2, S3H	
			-	-	1	-	-	-	-	-	-	1059693	S2G7	
			-	-	-	1	-	-	-	-	-	2467992	S2E2, S2E3, S3E9, S3G9, S4E4, S4E9, S4G4, S4G9	
			-	-	-	-	-	-	1	-	-	1609801	S1M	
			-	-	-	-	-	-	1	-	-	3180268	S3H	





# E-14

# CARBURETOR



Ref. No.	Part No.	Description	Reqd. QTY								Serial No.	Parts catalogue code			
			GCV 160	GCV 160 A	GCV 160 A0	GCV 160 E	GCV 160 LE	GCV 160 LA	GCV 160 LA0	GCV 160 LA1					
23	16016-ZG0-W00	SCREW SET .....	1	-	-	-	1	-	-	-	-	-	-	-	A1A, A1E7, A1E8, A1G7, A1W2, A1W7, A2A, A2A9, A2E4, A2E7, A2E8, A2E9, A2G7, A2R, A4A9, A7E1, A7H1, N1E7, N1J1, N1R, N1W1, N1W2, N1W7, N1W8, N1W9, N2E7, N2E8, N2E9, N3U, N7A1
		(CARBURETOR NO.)	1	-	-	-	-	-	-	-	-	BB62B D	-	A1E, A1J, A1P, A1U, A2E, A2U, A3E, A4E, N1, N1D, N1E1, N1E2, N1U, N1W, N2, N2D, N2E, N2E1, N2E2, N2E3, N2U, N3V	
			-	1	1	1	-	-	-	-	-	-	-	A1A, A1AE, A1AF, A1AS, A1AW, A1C, A1E, A1E7, A1E8, A1G7, A1G9, A1M, A1P, A1UV, A1W7, A2A, A2A9, A2C, A2E7, A2E8, A2E9, A2G4, A2G7, A2G9, A2R, A2UA, A3A, A3E, A3E7, A3E9, A3G7, A3G9, A3HV, A3T9, A3W7, A3W8, A4EV, A4G4, A4G7, A4G9, A7E1, A7Q1, A7Q1/A, BHH, BHH1, C1E, C1E1, C2E, C2E1, C3E, C3E1, C4E, C4E1, E1A2, E1A4, E1G7, E2G7, E5A4, EHHB, N1A, N1AF, N1C, N1D, N1E1, N1E2, N1E7, N1J1, N1L, N1R, N1T8, N1T9, N1U, N1U/A, N1W7, N1W8, N1W9, N2E7, N2E8, N2E9, N2EE, N2KE, N2U, N3T8, N3T9, N3U, N3V, N3W8, N3W9, N5A, N5AF, N5C, N7A1, N7S1, NBHT, NBL1, S1G4, S2E3, S3G9, S4G4, S4G7, S4G9, SBHE	
			-	-	-	-	-	1	1	1	-	-	-	A1A, A1A/A, A2R, A2R/A, A7H1, A7H1/A, A7X1, BHH, E1A2, N1A, N1A/A, N7A1, N7S1, SBA, SBA/A, SBH, SBH/A, SBL, SBT/A	

2

E-14

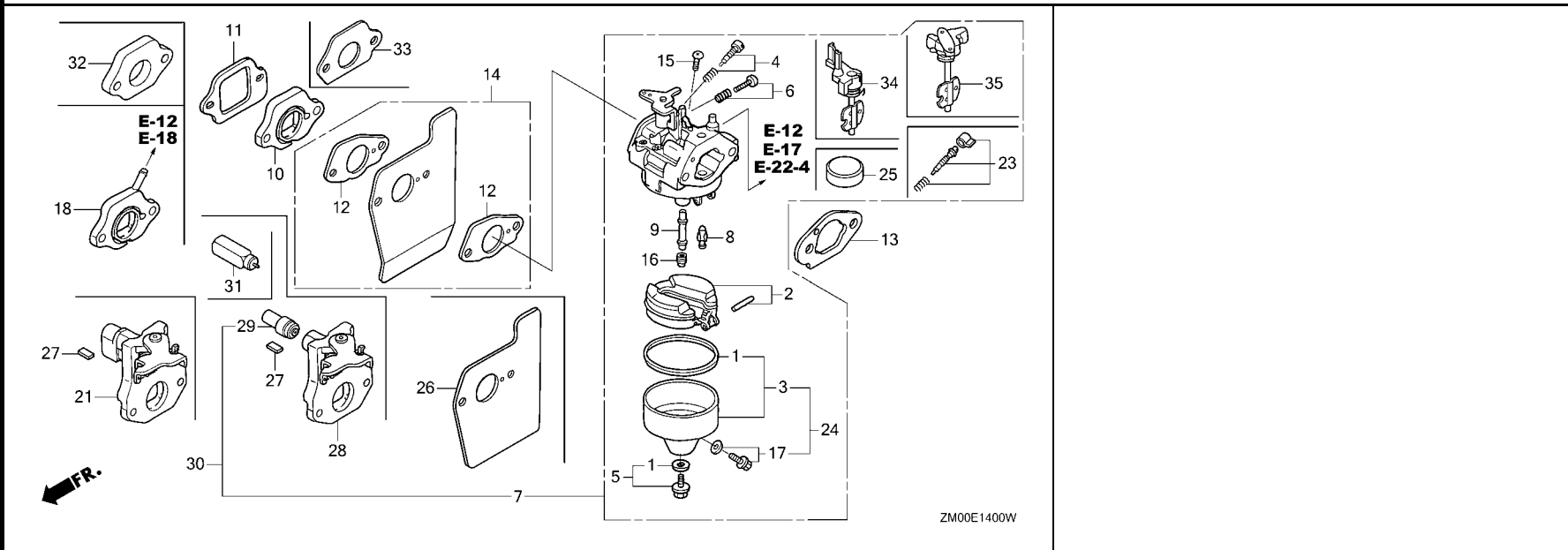
CARBURETOR

Ref. No.	Part No.	Description	Reqd. QTY										Serial No.	Parts catalogue code	
			GCV 160	GCV 160 A	GCV 160 A0	GCV 160 E	GCV 160 LE	GCV 160 LA	GCV 160 LA0	GCV 160 LA1					
24	16015-887-782	CHAMBER SET, FLOAT .....	1	-	-	-	-	-	-	-	-	-	-	-	A1E7, A1E8, A1G7, A1W2, A1W7, A2E4, A2E7, A2E8, A2E9, A2G7, A2R, A7E1, N1E7, N1J1, N1R, N1W1, N1W2, N1W7, N1W8, N1W9, N2E7, N2E8, N2E9, N3U, N7A1
		(CARBURETOR NO.)	1	-	-	-	-	-	-	-	-	-	-	BB62A D	A1E, A1J, A1P, A1U, A2E, A2U, A3E, A4E, N1, N1D, N1E1, N1E2, N1U, N1W, N2, N2D, N2E, N2E1, N2E2, N2E3, N2U, N3V
		,,	1	-	-	-	-	-	-	-	-	-	-	BB62B D	A1A, A1C, A2A, A2C
		,,	-	1	-	1	-	-	-	-	-	-	-	BB62Z A	S1E1, S2E1, S3H2
		,,	-	1	-	-	-	-	-	-	-	-	-		A1A, A1AE, A1AF, A1AS, A1C, A1E, A1E8, A1W7, A2A, A2C, A2E8, A2E9, A2G7, A2R, A3A, A3E, A7E1, BHH, E1A2, E1A4, E1G7, E5A4, EHHB, N1A, N1AF, N1C, N1E1, N1E7, N1W7, N1W8, N1W9, N2E7, N2E8, N2E9, N5A, N5AF, N5C, N5MF, N5R, N7A1, N7S1, NBL1, R1A, R3A, R3A1, RTL1, S1A, S1A1, S1M, S3A, S3A2, S3H, STA1, STL1
		,,	-	1	-	-	-	-	-	-	-	-	-	BB62W A	A1AW, A1E7, A1M, A2E7, BHH1, C1E, C1E1, C2E, C2E1, C3E, C3E1, C4E, C4E1, E2G7, N1L, N1R, N1U, N2U, N3U, N3V
		,,	-	1	-	-	-	-	-	-	-	-	-	BB65E A	S2G7
		,,	-	-	-	1	-	-	-	-	-	-	-		A1E7, A1E8, A1G7, A1W7, A2A9, A2E7, A2E8, A2E9, A2R, N1D, N1E1, N1E2, N1E7, N1R, N1T8, N1W8, N1W9, N2E9, N3T9, N7A1, S2E, S2E2, S3E9, S4E4, S4E9
		,,	-	-	-	1	-	-	-	-	-	-	-	BB62W A	A1G9, A1P, A2G4, A2G7, A2G9, A3E7, A3E9, A3G9, A3T9, A3W7, A3W8, A4G4, A4G7, A4G9, N1J1, N1T9, N1W7, N2E7, N2E8, N3T8, N3W8, N3W9
		,,	-	-	-	1	-	-	-	-	-	-	-	BB62Y A	A7E1
		,,	-	-	-	1	-	-	-	-	-	-	-	BB65K A	S2E3, S3G9, S4G4, S4G9
		,,	-	-	-	-	1	1	-	-	-	-	-	BB62W A	A1A, A2A9, A2R, A4A9, BHH, N1A
		,,	-	-	-	-	1	1	-	-	-	-	-	BB62Y A	N7A1, N7S1
		,,	-	-	-	-	-	1	-	-	-	-	-		E1A2
		,,	-	-	-	-	-	1	-	-	-	-	-	BB62Z A	R3A, S1A, S3A
		,,	-	-	-	-	-	1	-	-	-	-	-	BB65A A	A1AF, N1AF, N5AF, N5MF, N5R
		,,	-	-	-	-	-	1	-	-	-	-	-	BB65E A	S1M, S3H
25	16148-Z1L-851	CAP, CHOKE DUST .....	-	-	1	1	-	-	1	1	-	-	-	-	R3L, R3LE, S1G4, S1M, S2E2, S2E3, S2G7, S3E9, S3G9, S3H, S3L, S3LE, S3T, S3TE, S4E4, S4E9, S4G4, S4G7, S4G9, S4H4, S4LE, SBT, SBT/A, SBTE
		(CARBURETOR NO.)	-	-	1	-	-	-	1	-	-	-	-	BB75G A	S3AL, S3DB, S4BB, S4GB, S4HB
		,,	-	-	-	-	-	-	1	-	-	-	-	BB75E A	S1M, S3H
26	19651-Z0L-000	GUIDE, AIR .....	-	1	-	-	-	-	-	-	-	-	-	6349023	A1AE, A1AS, A1E7, A1M, A2E7, BHH1, C1E, C1E1, C2E, C2E1, C3E, C3E1, C4E, C4E1, N1L, N1R, N1U, N2U, N3U, N3V, N5A, NBL1, RTL1, S2G7, S3A2, S3H2, STL1
			-	-	1	-	1	-	-	-	-	-	-		A1AW, A1E7, A1G7, A1M, A1UV, A2E7, A2UA, A3G7, A3HV, A3T9, A4G4, A4G7, A7H1, A7Q1, A7Q1/A, BHH1, C1E, C1E1, C2E, C2E1, C3E, C3E1, C4E, C4E1, E2G7, N1L, N1R, N1U, N1U/A, N2EE, N2KE, N2U, N3T8, N3U, N3V, N5RE, NBHT, R3LE, S2G7, S3AL, S3DB, S3H2, S3HB, S3LE, S3TE, S4BB, S4G7, S4GB, S4HB, S4LE, SBHE, SBTE
			-	-	-	1	1	-	-	-	-	-	-	2441645	A1E7, A1E8, A1G7, A1G9, A1P, A1W7, A2A9, A2E7, A2E8, A2E9, A2G4, A2G7, A2G9, A2R, A3E7, A3E9, A3G9, A3T9, A3W7, A3W8, A4A9, A4G4, A4G7, A4G9, A7E1, N1D, N1E1, N1E2, N1E7, N1J1, N1R, N1T8, N1T9, N1W7, N1W8, N1W9, N2E7, N2E8, N2E9, N3T8, N3T9, N3W8, N3W9, N7A1, S1E1, S2E, S2E1, S2E2, S2E3, S3E9, S3G9, S4E4, S4E9, S4G4, S4G9
			-	-	-	1	-	-	-	-	-	-	-		A3HV, A4EV, A7Q1, N2EE, S1G4, S4H4
			-	-	-	-	-	1	-	-	-	-	-	6349023	A1A, A1AF, A2R, BHH, N1A, N1AF, N5AF, N5MF, N5R, N7A1, N7S1, S1A, S1M, S3A, S3H
			-	-	-	-	-	-	-	1	-	-	-		
			-	-	-	-	-	-	-	-	1	-	-		



# E-14

# CARBURETOR

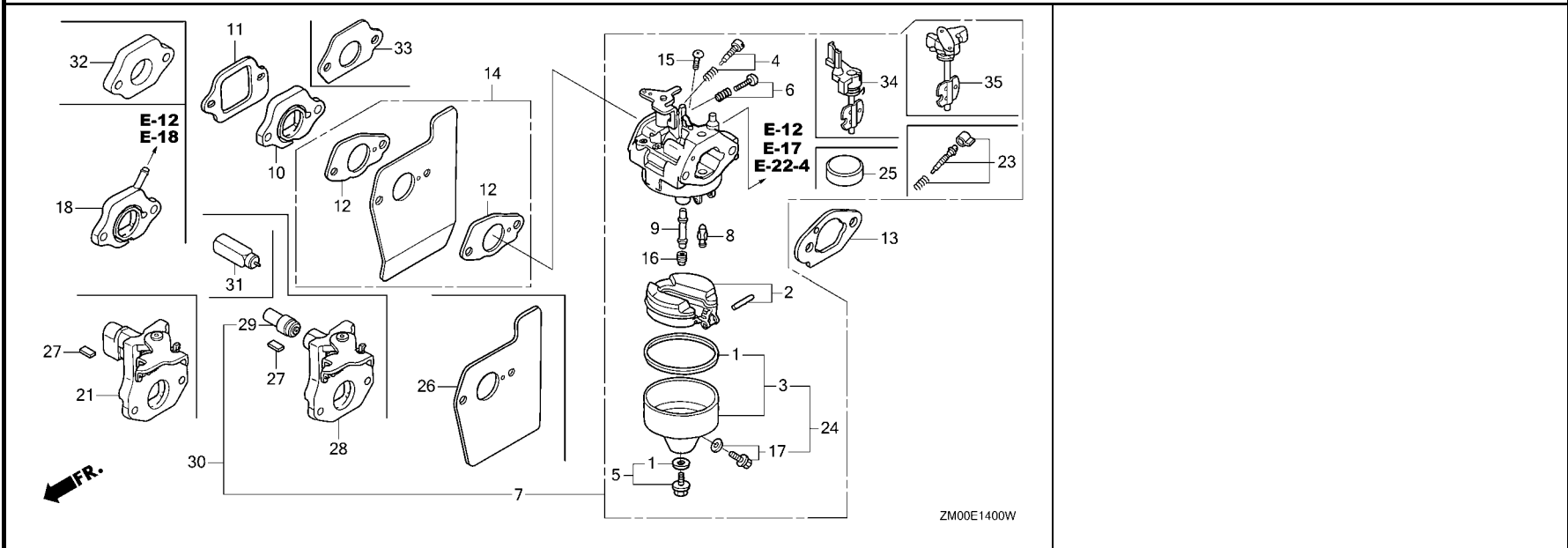


Ref. No.	Part No.	Description	Reqd. QTY									Serial No.	Parts catalogue code
			GCV 160	GCV 160 A	GCV 160 A0	GCV 160 E	GCV 160 LE	GCV 160 LA	GCV 160 LA0	GCV 160 LA1			
27	16213-Z1L-305	SHEET, THERMAL CONDUCTIVE .....	-	-	-	(1)	-	-	-	-	-	-	S1G4, S2E2, S2E3, S3E9, S3G9, S4E4, S4E9, S4G4, S4G9 S4H4
28	16600-Z8D-840	CONTROL ASSY., CHOKE .....	-	-	1	1	-	-	1	-	-	-	R3L, R3LE, S3L, S3LE, S4G7, S4H4, S4LE
	16600-Z8B-900	.....	-	-	1	-	-	-	1	1	-	-	S3AL, S3B, S3B/A, S3DB, S3HB, S3LB, S3LB/A, S4BB S4GB, S4HB
	16600-Z1L-840	.....	-	-	1	-	-	-	-	-	1546574	S3TE, SBTE	
	16600-Z8D-840	.....	-	-	1	-	-	-	-	-	1059694	S2G7	
	16600-Z1L-840	.....	-	-	1	-	-	-	-	-	1546575	S3TE, SBTE	
	16600-Z8D-840	.....	-	-	1	-	-	-	-	-	3360946	S1G4	
	16600-Z1L-840	.....	-	-	1	-	-	-	-	-	2467993	3360946	S2E2, S2E3, S3E9, S3G9, S4E4, S4E9, S4G4, S4G9
	16600-Z8D-840	.....	-	-	1	-	-	-	-	-	3360947	3360947	S1G4, S2E2, S2E3, S3E9, S3G9, S4E4, S4E9, S4G4, S4G9
	16600-Z1L-840	.....	-	-	-	-	-	-	1	-	3180268	3180268	S3T, SBT
	16600-Z8D-840	.....	-	-	-	-	-	-	1	-	1609802	1609802	S1M, S3H
	16600-Z8D-840	.....	-	-	-	-	-	-	1	-	3180269	3180269	S3H, S3T, SBT
29	16620-Z1L-841	THERMOWAX ASSY. ....	-	-	1	-	-	-	-	1	-	1546574	SBT, SBT/A
		.....	-	-	1	-	-	-	-	-	1059694	1546574	S3TE, SBTE
		.....	-	-	1	-	-	-	-	-	1059694	1059694	S2G7
		.....	-	-	1	-	-	-	-	-	3360946	3360946	S1G4
		.....	-	-	1	-	-	-	-	-	2467993	3360946	S2E2, S2E3, S3E9, S3G9, S4E4, S4E9, S4G4, S4G9
		.....	-	-	-	-	-	-	1	-	3180268	3180268	S3H, S3T, SBT
30	06161-Z0L-305	CARBURETOR KIT(BB75E B) .....	-	-	1	-	-	-	1	-	1609802	1609802	S1M, S3H
		.....	-	-	1	-	-	-	-	-	1064371	1064371	S2G7
31	16620-Z8D-842	THERMOWAX ASSY. ....	-	-	1	1	-	-	1	-	-	-	R3L, R3LE, S3AL, S3B, S3DB, S3HB, S3L, S3LB, S3LE S4BB, S4G7, S4GB, S4H4, S4HB, S4LE
	16620-Z8D-841	.....	-	-	1	-	-	-	-	-	1546575	1546575	S3TE, SBTE
		.....	-	-	1	-	-	-	-	-	3360947	3360947	S1G4, S4G4, S4G9
		.....	-	-	1	-	-	-	-	-	3360947	3360947	S2E2, S2E3, S3E9, S3G9, S4E4, S4E9



# E-14

# CARBURETOR



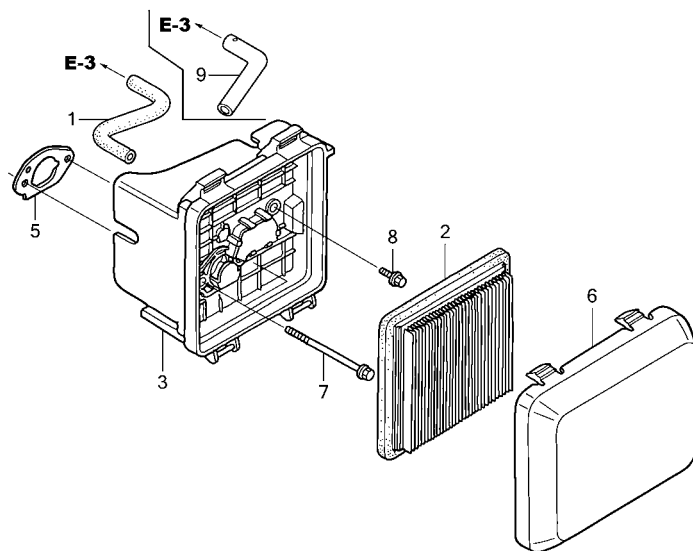
ZM00E1400W

Ref. No.	Part No.	Description	Reqd. QTY								Serial No.	Parts catalogue code
			GCV 160	GCV 160 A	GCV 160 A0	GCV 160 E	GCV 160 LE	GCV 160 LA	GCV 160 LA0	GCV 160 LA1		
31)	16620-Z8D-842	THERMOWAX ASSY. ....	-	-	-	-	-	-	1	-	3180269	----- S3H, S3T, SBT
32	16211-Z8B-910	INSULATOR, CARBURETOR .....	-	-	-	-	-	-	1	1	-----	----- S3B, S3B/A, S3LB, S3LB/A, SBT, SBT/A
33	16212-Z8B-900	PACKING, INSULATOR .....	-	-	1	-	-	-	1	1	-----	----- G5B, G5B/A, G5BR, G5BR/A, N5B, N5B/A, N5BR, N5BR/A
34	16044-Z8B-901	CHOKE SET .....	-	-	1	-	-	-	1	1	-----	----- G5B, G5B/A, G5BR, G5BR/A, N5B, N5B/A, N5BR, N5BR/A
		(CARBURETOR NO.)	-	-	1	-	-	-	-	-	-----	----- S3AL, S3B, S3B/A, S3DB, S3HB, S3LB, S3LB/A, S4BB
			-	-	-	-	-	-	1	-	-----	----- S4GB, S4HB
			-	-	-	-	-	-	-	-	-----	----- S3B, S3B/A, S3HB, S3LB, S3LB/A
			-	-	-	-	-	-	-	-	-----	----- BB76F A S3AL, S3DB, S4BB, S4GB, S4HB
			-	-	-	-	-	-	1	-	-----	----- BB76A A S3DB
35	16044-Z8B-911	CHOKE SET .....	-	-	-	-	-	-	1	1	-----	----- G5B, G5B/A, G5BR, G5BR/A, N5B, N5B/A, N5BR, N5BR/A



# E-15

# AIR CLEANER



ZM00E1500B

Ref. L.O.N. (Relative ref. Number) F.R.T.  
No. Description

Ref. No.	Part No.	Description	Reqd. QTY							Serial No.	Parts catalogue code	
			GCV 160	GCV 160 A	GCV 160 A0	GCV 160 E	GCV 160 LE	GCV 160 LA	GCV 160 LA0			GCV 160 LA1
1	15721-ZM0-000	TUBE, BREATHER .....	1	1	1	-	-	1	1	1	-----	A1A, A1A/A, A1AE, A1AF, A1AS, A1AW, A1C, A1E, A1E7, A1E8, A1G7, A1J, A1M, A1P, A1U, A1UV, A1W2, A1W7, A2A, A2C, A2E, A2E4, A2E7, A2E8, A2E9, A2G7, A2R, A2R/A, A2U, A2UA, A3A, A3E, A3G7, A3HV, A3T9, A4E, A4G4, A4G7, A7E1, A7H1, A7H1/A, A7Q1, A7Q1/A, A7X1, BHH, BHH1, C1E, C1E1, C2E, C2E1, C3E, C3E1, C4E, C4E1, E1A2, E1A4, E1G7, E2G7, E5A4, EHHB, G5AF, G5AF/A, G5MF, G5MF/A, N1, N1A, N1A/A, N1AF, N1C, N1D, N1E1, N1E2, N1E7, N1J1, N1L, N1R, N1U, N1U/A, N1W, N1W1, N1W2, N1W7, N1W8, N1W9, N2, N2D, N2E, N2E1, N2E2, N2E3, N2E7, N2E8, N2E9, N2EE, N2KE, N2U, N3T8, N3U, N3V, N5A, N5AF, N5AF/A, N5C, N5MF, N5R, N5RB, N5RE, N7A1, N7S1, NBHT, NBL1, R1A, R3A, R3A1, R3L, R3LE, RTL1, S1A, S1A1, S1M, S2G7, S3A, S3A2, S3H, S3H2, S3L, S3LE, S3T, S3TE, S4G7, S4LE, SBA, SBA/A, SBH, SBH/A, SBHE, SBL, SBT, SBT/A, SBTE, STA1, STL1
			-	-	-	1	-	-	-	-	-----	A1E7, A1E8, A1G7, A1W7, A2A9, A2E7, A2E8, A2E9, A2R, N1D, N1E1, N1E2, N1E7, N1R, N1T8, N1W8, N1W9, N2E9, N3T9, N7A1, S2E
	15721-Z1L-000	.....	-	-	-	1	-	-	-	-	-----	A3HV, A4EV, A7Q1, S4H4
	15721-ZM0-000	.....	-	-	-	1	-	-	-	-	3329377	A1G9, A1P, A2G4, A2G7, A2G9, A3E7, A3E9, A3G9, A3T9, A3W7, A3W8, A4G4, A4G7, A4G9, A7E1, N1J1, N1T9, N1W7, N2E7, N2E8, N2EE, N3T8, N3W8, N3W9, S1E1, S1G4, S2E1, S2E2, S2E3, S3E9, S3G9, S4E4, S4E9, S4G4, S4G9
	15721-Z1L-000	.....	-	-	-	1	-	-	-	-	3329378	A1G9, A1P, A2G4, A2G7, A2G9, A3E7, A3E9, A3G9, A3T9, A3W7, A3W8, A4G4, A4G7, A4G9, A7E1, N1J1, N1T9, N1W7, N2E7, N2E8, N2EE, N3T8, N3W8, N3W9, S1E1, S1G4, S2E1, S2E2, S2E3, S3E9, S3G9, S4E4, S4E9, S4G4, S4G9
	15721-ZM0-000	.....	-	-	-	-	1	-	-	-	3326546	

2

**E-15**

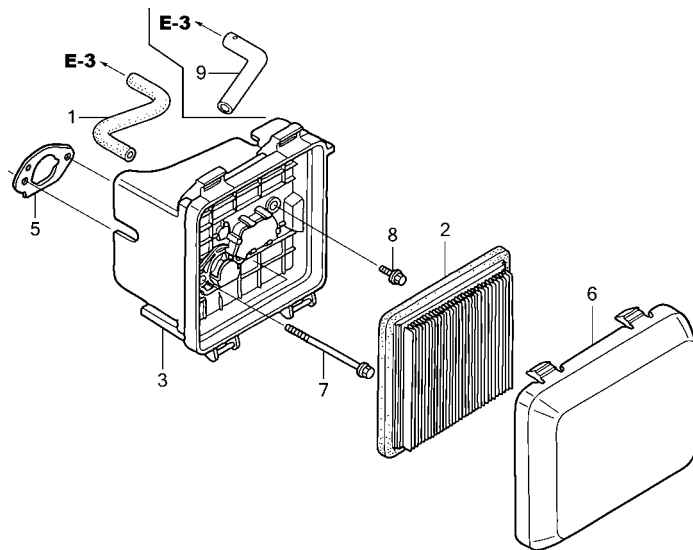
**AIR CLEANER**

Ref. No.	Part No.	Description	Reqd. QTY										Serial No.	Parts catalogue code
			GCV 160	GCV 160 A	GCV 160 A0	GCV 160 E	GCV 160 LE	GCV 160 LA	GCV 160 LA0	GCV 160 LA1				
(1)	15721-Z1L-000	TUBE, BREATHER.....	-	-	-	-	1	-	-	-	-	3326547	-----	
2	17211-ZL8-003	ELEMENT, AIR CLEANER.....	1	-	-	-	-	-	-	-	-	-----	-----	A1E7, A1E8, A1G7, A1W7, A2E7, A2E8, A2E9, A2G7, A7E1 N1E7, N1J1, N1R, N1W7, N1W8, N1W9, N2E7, N2E8, N2E9 N3U, N7A1
	17211-ZL8-000	.....	1	-	-	-	-	-	-	-	-	-----	2240610	A1A, A1C, A1E, A1J, A1P, A1U, A1W2, A2A, A2C, A2E, A2E4 A2R, A2U, A3E, A4E, N1, N1D, N1E1, N1E2, N1U, N1W, N1W1 N1W2, N2, N2D, N2E, N2E1, N2E2, N2E3, N2U, N3V
	17211-ZL8-003	.....	1	-	-	-	-	-	-	-	-	-----	2240611	A1A, A1C, A1E, A1J, A1P, A1U, A1W2, A2A, A2C, A2E, A2E4 A2R, A2U, A3E, A4E, N1, N1D, N1E1, N1E2, N1U, N1W, N1W1 N1W2, N2, N2D, N2E, N2E1, N2E2, N2E3, N2U, N3V
	17211-ZL8-023	ELEMENT, AIR CLEANER (TOYO ROKI)	-	1	-	-	-	-	1	-	-	-----	-----	
	17211-Z8B-901	ELEMENT, AIR CLEANER (WIX FILTERS)	-	-	1	-	-	-	-	1	-	-----	-----	A1G7, A1UV, A2UA, A3G7, A3HV, A3T9, A4G4, A4G7, A7H1 A7Q1, A7Q1/A, G5AF, G5B, G5BR, G5MF, N1U/A, N2EE N2KE, N3T8, N5B, N5BR, NBHT, S3AL, S3B, S3DB, S3HB S3LB, S4BB, S4G7, S4GB, S4HB, SBA
	17211-ZL8-023	ELEMENT, AIR CLEANER (TOYO ROKI)	-	-	1	-	-	-	-	-	-	-----	-----	A1E7, A1M, A2E7, BHH1, C1E, C1E1, C2E, C2E1, C3E, C3E1 C4E, C4E1, E2G7, N1L, N1R, N3U, N3V, S2G7
			-	-	1	-	-	-	-	-	-	-----	2019418	A1AW, N1U, N2U, N5RE, S3H2, S3TE, SBTE
			-	-	1	-	-	-	-	-	-	-----	2067003	R3LE, S3LE, S4LE, SBHE
	17211-Z8B-901	ELEMENT, AIR CLEANER (WIX FILTERS)	-	-	1	-	-	-	-	-	-	-----	2019419	A1AW, N1U, N2U, N5RE, S3H2, S3TE, SBTE
			-	-	1	-	-	-	-	-	-	-----	2067004	R3LE, S3LE, S4LE, SBHE
	17211-ZL8-023	ELEMENT, AIR CLEANER (TOYO ROKI)	-	-	-	1	-	-	-	-	-	-----	-----	A1E7, A1E8, A1G7, A1W7, A2A9, A2E7, A2E8, A2E9, A2R N1D, N1E1, N1E2, N1E7, N1R, N1T8, N1W8, N1W9, N2E9 N3T9, N7A1, S2E
	17211-Z1L-003	ELEMENT, AIR CLEANER.....	-	-	-	1	-	-	-	-	-	-----	-----	A3HV, A4EV, A7Q1, S4H4
	17211-ZL8-023	ELEMENT, AIR CLEANER (TOYO ROKI)	-	-	-	1	-	-	-	-	-	-----	3336595	A1G9, A1P, A2G4, A2G7, A2G9, A3E7, A3E9, A3G9, A3T9 A3W7, A3W8, A4G4, A4G7, A4G9, A7E1, N1J1, N1T9, N1W7 N2E7, N2E8, N2EE, N3T8, N3W8, N3W9, S1E1, S1G4, S2E1 S2E2, S2E3, S3E9, S3G9, S4E4, S4E9, S4G4, S4G9
	17211-Z1L-003	ELEMENT, AIR CLEANER.....	-	-	-	1	-	-	-	-	-	-----	3336596	A1G9, A1P, A2G4, A2G7, A2G9, A3E7, A3E9, A3G9, A3T9 A3W7, A3W8, A4G4, A4G7, A4G9, A7E1, N1J1, N1T9, N1W7 N2E7, N2E8, N2EE, N3T8, N3W8, N3W9, S1E1, S1G4, S2E1 S2E2, S2E3, S3E9, S3G9, S4E4, S4E9, S4G4, S4G9
	17211-ZL8-023	ELEMENT, AIR CLEANER (TOYO ROKI)	-	-	-	-	1	-	-	-	-	-----	3336251	
	17211-Z1L-003	ELEMENT, AIR CLEANER.....	-	-	-	-	1	-	-	-	-	-----	3336252	
	17211-ZL8-023	ELEMENT, AIR CLEANER (TOYO ROKI)	-	-	-	-	-	-	-	1	-	-----	-----	A1AF, E1A2, N7A1, S1A, S1M
			-	-	-	-	-	-	-	1	-	-----	3680376	A1A, A2R, BHH, N1A, N1AF, N5AF, N5MF, N5R, N5RB, N7S1 R3A, S3A, S3H, S3T, SBT
			-	-	-	-	-	-	-	1	-	-----	4125475	R3L, S3L, SBH, SBL
	17211-Z8B-901	ELEMENT, AIR CLEANER (WIX FILTERS)	-	-	-	-	-	-	-	1	-	-----	3680377	A1A, A2R, BHH, N1A, N1AF, N5AF, N5MF, N5R, N5RB, N7S1 R3A, S3A, S3H, S3T, SBT
			-	-	-	-	-	-	-	1	-	-----	4125476	R3L, S3L, SBH, SBL
			-	-	-	-	-	-	-	-	1	-----		



# E-15

# AIR CLEANER



FR.

ZM00E1500B

Ref. No.	Part No.	Description	Reqd. QTY									Serial No.	Parts catalogue code		
			GCV 160	GCV 160 A	GCV 160 A0	GCV 160 E	GCV 160 LE	GCV 160 LA	GCV 160 LA0	GCV 160 LA1					
3	17220-ZM0-000	CASE ASSY., AIR CLEANER.....	1	-	-	-	-	-	-	-	-	-	-	-	A1A, A1AE, A1AF, A1AS, A1C, A1E, A1E8, A1W7, A2A, A2C, A2E8, A2E9, A2G7, A2R, A3A, A3E, A7E1, BHH, E1A2, E1A4, E1G7, E5A4, EHHB, N1A, N1AF, N1C, N1E1, N1E7, N1W7, N1W8, N1W9, N2E7, N2E8, N2E9, N5A, N5AF, N5C, N5MF, N5R, N7A1, N7S1, NBL1, R1A, R3A, R3A1, RTL1, S1A, S1A1, S1M, S3A, S3A2, S3H, STA1, STL1
	17220-ZM0-030	.....	-	1	-	-	-	-	-	-	-	-	-	-	A1AW, A1E7, A1M, A2E7, BHH1, C1E, C1E1, C2E, C2E1, C3E, C3E1, C4E, C4E1, E2G7, N1L, N1R, N1U, N2U, N3U, N3V, S2G7, S3H2
	17221-Z8B-900	CASE, AIR CLEANER.....	-	-	1	-	-	-	-	1	1	-	-	-	G5B, G5B/A, G5BR, G5BR/A, N5B, N5B/A, N5BR, N5BR/A, S3AL, S3B, S3B/A, S3DB, S3HB, S3LB, S3LB/A, S4BB, S4GB, S4HB
	17220-Z8B-010	CASE ASSY., AIR CLEANER.....	-	-	1	-	-	-	-	1	-	-	-	-	A1G7, A1UV, A2UA, A3G7, A3HV, A3T9, A4G4, A4G7, A7H1, A7Q1, A7Q1/A, G5AF, G5MF, N1U/A, N2EE, N2KE, N3T8, NBHT, R3L, R3LE, S3L, S3LE, S4G7, S4LE, SBA, SBH, SBHE, SBL
	17220-ZM0-030	.....	-	-	1	-	-	-	-	-	-	-	-	-	A1M, A2E7, C1E, C1E1, C2E, C2E1, C3E, C3E1, C4E, C4E1, E2G7, N1R, N3V, S2G7
			-	-	1	-	-	-	-	-	-	1827257	-	-	A1AW, A1E7, BHH1, N1L, N1U, N2U, N3U, N5RE, S3H2, S3TE, SBTE
	17220-Z8B-010	.....	-	-	1	-	-	-	-	-	-	1827258	-	-	A1AW, N1U, N2U, N5RE, S3H2, S3TE, SBTE
	17220-Z8B-000	.....	-	-	1	-	-	-	-	-	-	1827258	-	-	A1E7, BHH1, N1L, N3U
	17220-ZM0-000	.....	-	-	-	1	-	-	-	-	-	-	-	-	A2A9, A2R, N7A1
	17220-ZM0-030	.....	-	-	-	1	-	-	-	-	-	-	-	-	A3HV, A4EV, A7Q1, N2EE, S4H4

2

**E-15**

**AIR CLEANER**

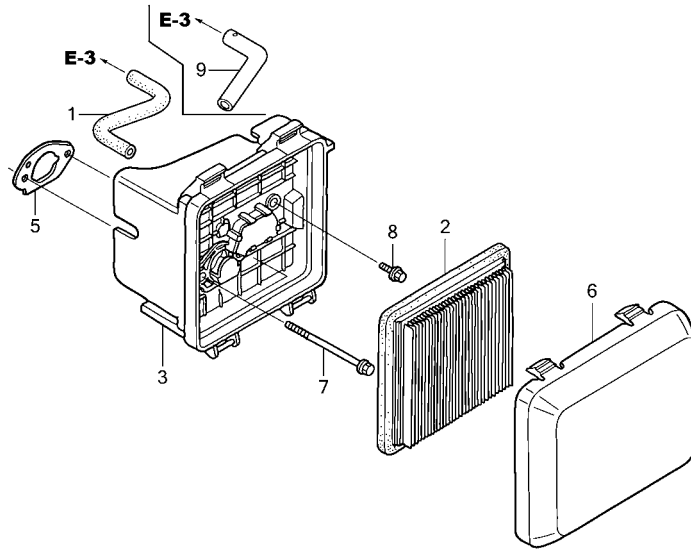
Ref. No.	Part No.	Description	Reqd. QTY										Serial No.	Parts catalogue code
			GCV 160	GCV 160 A	GCV 160 A0	GCV 160 E	GCV 160 LE	GCV 160 LA	GCV 160 LA0	GCV 160 LA1				
(3)	17220-ZM0-000	CASE ASSY., AIR CLEANER.....	-	-	-	1	-	-	-	-	-	-	2441541	A1E7, A1E8, A1G7, A1G9, A1P, A1W7, A2E7, A2E8, A2E9, A2G4, A2G7, A2G9, A3E7, A3E9, A3G9, A3T9, A3W7, A3W8, A4G4, A4G7, A4G9, A7E1, N1D, N1E1, N1E2, N1E7, N1J1, N1R, N1T8, N1T9, N1W7, N1W8, N1W9, N2E7, N2E8, N2E9, N3T8, N3T9, N3W8, N3W9, S1E1, S2E, S2E1, S2E2, S2E3, S3E9, S3G9, S4E4, S4E9, S4G4, S4G9
	17220-ZM0-010	.....	-	-	-	1	-	-	-	-	-	-	3019530	S1G4
			-	-	-	1	-	-	-	-	-	-	2441542	A1E7, A1E8, A1G7, A1W7, A2E7, A2E8, A2E9, N1D, N1E1, N1E2, N1E7, N1R, N1T8, N1W8, N1W9, N2E9, N3T9, S2E
			-	-	-	1	-	-	-	-	-	-	2441542	3019530 A1G9, A1P, A2G4, A2G7, A2G9, A3E7, A3E9, A3G9, A3T9, A3W7, A3W8, A4G4, A4G7, A4G9, A7E1, N1J1, N1T9, N1W7, N2E7, N2E8, N3T8, N3W8, N3W9, S1E1, S2E1, S2E2, S2E3, S3E9, S3G9, S4E4, S4E9, S4G4, S4G9
	17220-ZM0-030	.....	-	-	-	1	-	-	-	-	-	-	3019531	A1G9, A1P, A2G4, A2G7, A2G9, A3E7, A3E9, A3G9, A3T9, A3W7, A3W8, A4G4, A4G7, A4G9, A7E1, N1J1, N1T9, N1W7, N2E7, N2E8, N3T8, N3W8, N3W9, S1E1, S1G4, S2E1, S2E2, S2E3, S3E9, S3G9, S4E4, S4E9, S4G4, S4G9
	17220-ZM0-000	.....	-	-	-	-	1	-	-	-	-	-	2441541	A2A9, A4A9, N7A1
	17220-ZM0-010	.....	-	-	-	-	1	-	-	-	-	-	3091165	A7H1
			-	-	-	-	1	-	-	-	-	-	2441542	3091165 A2A9, A4A9, N7A1
	17220-ZM0-030	.....	-	-	-	-	1	-	-	-	-	-	3091166	-----
	17220-ZM0-010	.....	-	-	-	-	-	1	-	-	-	-	1167575	A1A, A1AF, A2R, BHH, E1A2, N1A, N1AF, N5AF, N5MF, N5R, N7A1, N7S1, R3A, S1A, S1M, S3A, S3H
	17220-ZM0-020	.....	-	-	-	-	-	-	1	-	-	-	1239013	S3T, SBT
	17220-ZM0-030	.....	-	-	-	-	-	-	1	-	-	-	3454521	N5RB
	17220-ZM0-020	.....	-	-	-	-	-	-	1	-	-	-	1167576	1239013 A1A, A1AF, A2R, BHH, E1A2, N1A, N1AF, N5AF, N5MF, N5R, N7A1, N7S1, R3A, S1A, S1M, S3A, S3H
	17220-ZM0-030	.....	-	-	-	-	-	-	1	-	-	-	1239014	A1AF, E1A2, N7A1, S1A, S1M
			-	-	-	-	-	-	1	-	-	-	1239014	3454521 A1A, A2R, BHH, N1A, N1AF, N5AF, N5MF, N5R, N7S1, R3A, S3A, S3H, S3T, SBT
	17220-Z8B-010	.....	-	-	-	-	-	-	1	-	-	-	3454522	A1A, A2R, BHH, N1A, N1AF, N5AF, N5MF, N5R, N5RB, N7S1, R3A, S3A, S3H, S3T, SBT
			-	-	-	-	-	-	-	1	-	-	-----	A1A, A1A/A, A2R, A2R/A, A7H1, A7H1/A, A7X1, G5AF, G5AF/A, G5MF, G5MF/A, N1A, N1A/A, N5AF, N5AF/A, SBA, SBA/A, SBH, SBH/A, SBT, SBT/A
5	17228-ZM0-000	PACKING, AIR CLEANER.....	1	1	-	1	1	1	-	-	-	-	-----	A1G7, A1UV, A2UA, A3G7, A3HV, A3T9, A4G4, A4G7, A7H1, A7Q1, A7Q1/A, N1U/A, N2EE, N2KE, N3T8, NBHT, S4G7, SBA, SBH, SBHE, SBL
	17228-Z8B-900	.....	-	-	1	-	-	-	-	1	-	-	-----	G5AF, G5B, G5BR, G5MF, N5B, N5BR, R3L, R3LE, S3AL, S3B, S3DB, S3HB, S3L, S3LB, S3LE, S4BB, S4GB, S4HB, S4LE, A1AW, A1E7, A1M, A2E7, BHH1, C1E, C1E1, C2E, C2E1, C3E, C3E1, C4E, C4E1, E2G7, N1L, N1R, N1U, N2U, N3U, N3V, N5RE, S2G7, S3H2, S3TE
	17228-Z8B-000	.....	-	-	1	-	-	-	-	-	-	-	1827257	SBTE
			-	-	1	-	-	-	-	-	-	-	1546575	A1AW, A1E7, A1M, A2E7, BHH1, C1E, C1E1, C2E, C2E1, C3E, C3E1, C4E, C4E1, E2G7, N1L, N1R, N1U, N2U, N3U, N3V, S2G7
	17228-Z8B-900	.....	-	-	1	-	-	-	-	-	-	-	1546575	1827257 N5RE, S3H2, S3TE
	17228-ZM0-000	.....	-	-	-	-	-	-	-	-	-	-	1827258	N5RE, S3H2, S3TE, SBTE
			-	-	-	-	-	-	-	1	-	-	3006817	A1A, A1AF, A2R, BHH, E1A2, N1A, N1AF, N5AF, N5MF, N5R, N5RB, N7A1, N7S1, R3A, S1A, S1M, S3A, S3H, S3T, SBT
	17228-Z8B-000	.....	-	-	-	-	-	-	-	1	-	-	3006818	A1A, A1AF, A2R, BHH, E1A2, N1A, N7A1, N7S1, S1A, S1M
			-	-	-	-	-	-	-	1	-	-	3006818	3454521 N1AF, N5AF, N5MF, N5R, N5RB, R3A, S3A, S3H, S3T, SBT
	17228-Z8B-900	.....	-	-	-	-	-	-	-	1	-	-	3454522	N1AF, N5AF, N5MF, N5R, N5RB, R3A, S3A, S3H, S3T, SBT
	17228-Z8B-000	.....	-	-	-	-	-	-	-	1	-	-	-----	A1A, A1A/A, A2R, A2R/A, A7H1, A7H1/A, A7X1, N1A, N1A/A, SBA, SBA/A, SBH, SBH/A





# E-15

# AIR CLEANER



ZM00E1500B

Ref. No.	Part No.	Description	Reqd. QTY							Serial No.	Parts catalogue code	
			GCV 160	GCV 160 A	GCV 160 A0	GCV 160 E	GCV 160 LE	GCV 160 LA	GCV 160 LA0			GCV 160 LA1
(5)	17228-Z8B-900	PACKING, AIR CLEANER.....	-	-	-	-	-	-	-	1	-----	G5AF, G5AF/A, G5B, G5B/A, G5BR, G5BR/A, G5MF, G5MF/A, N5AF, N5AF/A, N5B, N5B/A, N5BR, N5BR/A, S3B, S3B/A, S3LB, S3LB/A, SBT, SBT/A
6	17231-ZM0-020	COVER, AIR CLEANER.....	1	-	-	-	-	-	-	-	-----	A1A, A1C, A1E, A1E7, A1E8, A1G7, A1P, A1W2, A1W7, A2A, A2C, A2E, A2E4, A2E7, A2E8, A2E9, A2G7, A2R, A3E, A7E1, N1, N1D, N1E1, N1E2, N1E7, N1J1, N1R, N1U, N1W, N1W1, N1W2, N1W7, N1W8, N1W9, N2, N2E, N2E1, N2E3, N2E7, N2E8, N2E9, N2U, N3U, N3V, N7A1
	17231-ZM0-000	.....	1	-	-	-	-	-	-	-	-----	A1J, A1U, A2U, A4E, N2D, N2E2
	17231-Z0L-050	.....	-	1	1	-	-	-	-	-	-----	A1AW, A1E7, A1G7, A1M, A1UV, A2E7, A2UA, A3G7, A3HV, A3T9, A4G4, A4G7, A7Q1, A7Q1/A, BHH1, C1E, C1E1, C2E, C2E1, C3E, C3E1, C4E, C4E1, E2G7, N1L, N1R, N1U, N1U/A, N2EE, N2KE, N2U, N3T8, N3U, N3V, N5RE, NBHT, R3LE, S2G7, S3AL, S3DB, S3H2, S3HB, S3LE, S3TE, S4BB, S4G7, S4GB, S4HB, S4LE, SBHE, SBTE
	17231-Z0L-030	.....	-	1	-	-	-	-	-	-	-----	A1A, A1AE, A1AF, A1AS, A1C, A1E, A1E8, A1W7, A2A, A2C, A2E8, A2E9, A2G7, A2R, A3A, A3E, A7E1, BHH, E1A2, E1A4, E1G7, E5A4, EHNB, N1A, N1AF, N1C, N1E1, N1E7, N1W7, N1W8, N1W9, N2E7, N2E8, N2E9, N5A, N5AF, N5C, N5MF, N5R, N7A1, N7S1, NBL1, R1A, R3A, R3A1, RTL1, S1A, S1A1, S1M, S3A, S3A2, S3H, STA1, STL1
			-	-	-	1	-	-	-	-	-----	A1E7, A1E8, A1G7, A1W7, A2A9, A2E7, A2E8, A2E9, A2R, N1D, N1E1, N1E2, N1E7, N1R, N1T8, N1W8, N1W9, N2E9, N3T9, N7A1, S2E

2

FR.

**E-15**

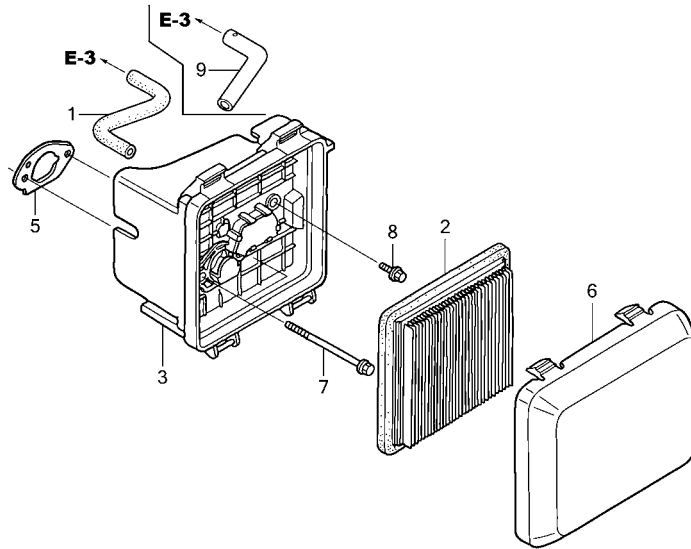
**AIR CLEANER**

Ref. No.	Part No.	Description	Reqd. QTY									Serial No.	Parts catalogue code
			GCV 160	GCV 160 A	GCV 160 A0	GCV 160 E	GCV 160 LE	GCV 160 LA	GCV 160 LA0	GCV 160 LA1			
(6)	17231-Z0L-050	COVER, AIR CLEANER .....	-	-	-	1	-	-	-	-	-	-	A1G9, A1P, A2G4, A2G7, A2G9, A3E7, A3E9, A3G9, A3HV, A3T9, A3W7, A3W8, A4EV, A4G4, A4G7, A4G9, A7E1, A7Q1, N1J1, N1T9, N1W7, N2E7, N2E8, N2EE, N3T8, N3W8, N3W9, S1E1, S1G4, S2E1, S2E2, S2E3, S3E9, S3G9, S4E4, S4E9, S4G4, S4G9, S4H4
7	90003-ZM0-000	BOLT, FLANGE, 6X86(CT200) .....	-	-	-	1	1	1	1	-	-	-	A1A, A1AF, A1AW, A1C, A1E, A1E8, A1W7, A2A, A2C, A2E8, A2E9, A2G7, A2R, A3A, A3E, A7E1, BHH, E1A2, E1A4, E1G7, E5A4, EHHB, N1A, N1AF, N1C, N1E1, N1E7, N1W7, N1W8, N1W9, N2E7, N2E8, N2E9, N5AF, N5C, N5MF, N5R, N7A1, N7S1, R1A, R3A, R3A1, S1A, S1A1, S1M, S3A, S3H, STA1, E2G7
	90003-ZM0-010	BOLT, FLANGE, 6X85(CT200) .....	-	2	-	-	-	-	-	-	-	-	A1AE, A1AS, A1E7, A1M, A2E7, BHH1, C1E, C1E1, C2E, C2E1, C3E, C3E1, C4E, C4E1, N1L, N1R, N1U, N2U, N3U, N3V, N5A, NBL1, RTL1, S2G7, S3A2, S3H2, STL1
	90003-ZM0-000	BOLT, FLANGE, 6X86(CT200) .....	-	2	-	-	-	-	-	-	-	6349022	A1AE, A1AS, A1E7, A1M, A2E7, BHH1, C1E, C1E1, C2E, C2E1, C3E, C3E1, C4E, C4E1, N1L, N1R, N1U, N2U, N3U, N3V, N5A, NBL1, RTL1, S2G7, S3A2, S3H2, STL1
	90003-ZM0-010	BOLT, FLANGE, 6X85(CT200) .....	-	2	-	-	-	-	-	-	-	6349023	A1M, A2E7, C1E, C1E1, C2E, C2E1, C3E, C3E1, C4E, C4E1, E1A2, E2G7, N1R, N3V, R3A, S2G7
	90003-Z8B-900	BOLT, SPECIAL, 6MM .....	-	-	2	-	-	-	2	-	-	-	A1G7, A1UV, A2UA, A3G7, A3HV, A3T9, A4G4, A4G7, A7H1, A7Q1, A7Q1/A, G5AF, G5B, G5BR, G5MF, N1U/A, N2EE, N2KE, N3T8, N5B, N5BR, NBHT, R3L, R3LE, S3AL, S3B, S3DB, S3HB, S3L, S3LB, S3LE, S4BB, S4G7, S4GB, S4HB, S4LE, SBA, SBH, SBHE, SBL
	90003-ZM0-010	BOLT, FLANGE, 6X85(CT200) .....	-	-	2	-	-	-	-	-	-	1827257	A1AW, A1E7, BHH1, N1L, N1U, N2U, N3U, N5RE, S3H2, S3TE, SBTE
	90003-Z8B-900	BOLT, SPECIAL, 6MM .....	-	-	2	-	-	-	-	-	-	1827258	A1AW, A1E7, BHH1, N1L, N1U, N2U, N3U, N5RE, S3H2, S3TE, SBTE
	90003-ZM0-000	BOLT, FLANGE, 6X86(CT200) .....	-	-	-	2	-	-	-	-	-	-	A2A9, A2R, N7A1
	90003-Z1L-000	BOLT, FLANGE, 6X86 .....	-	-	-	2	-	-	-	-	-	-	A3HV, A4EV, S4H4
	90003-ZM0-000	BOLT, FLANGE, 6X86(CT200) .....	-	-	-	2	-	-	-	-	-	2441644	A1E7, A1E8, A1G7, A1G9, A1P, A1W7, A2E7, A2E8, A2E9, A2G4, A2G7, A2G9, A3E7, A3E9, A3G9, A3T9, A3W7, A3W8, A4G4, A4G7, A4G9, A7E1, N1D, N1E1, N1E2, N1E7, N1J1, N1R, N1T8, N1T9, N1W7, N1W8, N1W9, N2E7, N2E8, N2E9, N3T8, N3T9, N3W8, N3W9, S1E1, S2E, S2E1, S2E2, S2E3, S3E9, S3G9, S4E4, S4E9, S4G4, S4G9
	90003-ZM0-010	BOLT, FLANGE, 6X85(CT200) .....	-	-	-	2	-	-	-	-	-	3346816	A7Q1, N2EE, S1G4
			-	-	-	2	-	-	-	-	-	2441645	A1E7, A1E8, A1G7, A1W7, A2E7, A2E8, A2E9, N1D, N1E1, N1E2, N1E7, N1R, N1T8, N1W8, N1W9, N2E9, N3T9, S2E
			-	-	-	2	-	-	-	-	-	2441645	3346816 A1G9, A1P, A2G4, A2G7, A2G9, A3E7, A3E9, A3G9, A3T9, A3W7, A3W8, A4G4, A4G7, A4G9, A7E1, N1J1, N1T9, N1W7, N2E7, N2E8, N3T8, N3W8, N3W9, S1E1, S2E1, S2E2, S2E3, S3E9, S3G9, S4E4, S4E9, S4G4, S4G9
	90003-Z1L-000	BOLT, FLANGE, 6X86 .....	-	-	-	2	-	-	-	-	-	3346817	A1G9, A1P, A2G4, A2G7, A2G9, A3E7, A3E9, A3G9, A3T9, A3W7, A3W8, A4G4, A4G7, A4G9, A7E1, A7Q1, N1J1, N1T9, N1W7, N2E7, N2E8, N2EE, N3T8, N3W8, N3W9, S1E1, S1G4, S2E1, S2E2, S2E3, S3E9, S3G9, S4E4, S4E9, S4G4, S4G9
	90003-ZM0-000	BOLT, FLANGE, 6X86(CT200) .....	-	-	-	-	2	-	-	-	-	2441644	A2A9, A4A9, N7A1
	90003-ZM0-010	BOLT, FLANGE, 6X85(CT200) .....	-	-	-	-	2	-	-	-	-	3406723	A7H1
			-	-	-	-	2	-	-	-	-	2441645	3406723 A2A9, A4A9, N7A1
	90003-Z1L-000	BOLT, FLANGE, 6X86 .....	-	-	-	-	2	-	-	-	-	3406724	-
	90003-ZM0-000	BOLT, FLANGE, 6X86(CT200) .....	-	-	-	-	-	2	-	-	-	6349022	A1A, A1AF, A2R, BHH, N1A, N1AF, N5AF, N5MF, N5R, N7A1, N7S1, S1A, S1M, S3A, S3H



# E-15

# AIR CLEANER

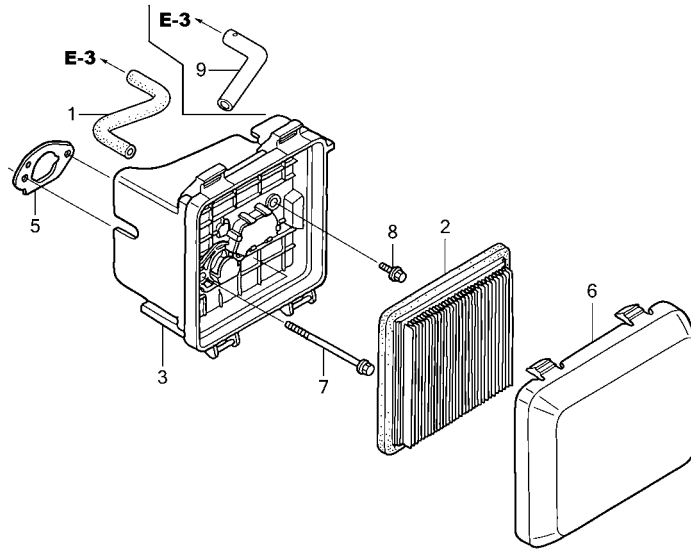


ZM00E1500B

Ref. No.	Part No.	Description	Reqd. QTY									Serial No.	Parts catalogue code
			GCV 160	GCV 160 A	GCV 160 A0	GCV 160 E	GCV 160 LE	GCV 160 LA	GCV 160 LA0	GCV 160 LA1			
(7)	90003-ZM0-010	BOLT, FLANGE, 6X85(CT200).....	-	-	-	-	-	2	-	-	6349023	-----	A1A, A1AF, A2R, BHH, N1A, N1AF, N5AF, N5MF, N5R, N7A1, N7S1, S1A, S1M, S3A, S3H
			-	-	-	-	-	-	2	-	-----	-----	A1AF, E1A2, N7A1, S1A, S1M
			-	-	-	-	-	-	2	-	3454521	-----	A1A, A2R, BHH, N1A, N1AF, N5AF, N5MF, N5R, N5RB, N7S1, R3A, S3A, S3H, S3T, SBT
	90003-Z8B-900	BOLT, SPECIAL, 6MM.....	-	-	-	-	-	-	2	-	3454522	-----	A1A, A2R, BHH, N1A, N1AF, N5AF, N5MF, N5R, N5RB, N7S1, R3A, S3A, S3H, S3T, SBT
8	95701-06014-08	BOLT, FLANGE, 6X14.....	1	-	-	-	-	-	-	2			
			-	1	-	-	-	-	-	-			
			-	-	-	-	-	-	-	-	6624355	-----	A1A, A1AE, A1AF, A1AS, A1AW, A1C, A1E, A1E8, A1W7, A2A, A2C, A2E8, A2E9, A2G7, A2R, A3A, A3E, A7E1, BHH, E1A2, E1A4, E1G7, E2G7, E5A4, EHHB, N1A, N1AF, N1C, N1E1, N1E7, N1W7, N1W8, N1W9, N2E7, N2E8, N2E9, N5A, N5AF, N5C, N5MF, N5R, N7A1, N7S1, NBL1, R1A, R3A, R3A1, RTL1, S1A, S1A1, S1M, S3A, S3A2, S3H, STA1, STL1
			-	1	-	-	-	-	-	-	6624355	-----	A1E7, A1M, A2E7, BHH1, C1E, C1E1, C2E, C2E1, C3E, C3E1, C4E, C4E1, N1L, N1R, N1U, N2U, N3U, N3V, S2G7, S3H2
			-	-	-	1	-	-	-	-	2441541	-----	A2A9, A2R, N7A1
			-	-	-	1	-	-	-	-	2441541	-----	A1E7, A1E8, A1G7, A1G9, A1P, A1W7, A2E7, A2E8, A2E9, A2G4, A2G7, A2G9, A3E7, A3E9, A3G9, A3T9, A3W7, A3W8, A4G4, A4G7, A4G9, A7E1, N1D, N1E1, N1E2, N1E7, N1J1, N1R, N1T8, N1T9, N1W7, N1W8, N1W9, N2E7, N2E8, N2E9, N3T8, N3T9, N3W8, N3W9, S1E1, S2E, S2E1, S2E2, S2E3, S3E9, S3G9, S4E4, S4E9, S4G4, S4G9
			-	-	-	-	1	-	-	-	2441541	-----	A2A9, A4A9, N7A1
			-	-	-	-	-	1	-	-	6624355	-----	A1A, A1AF, A2R, BHH, N1A, N1AF, N5AF, N5MF, N5R, N7A1, N7S1, S1A, S1M, S3A, S3H
			-	-	-	-	-	1	-	-	8028081	-----	E1A2, R3A

# E-15

# AIR CLEANER



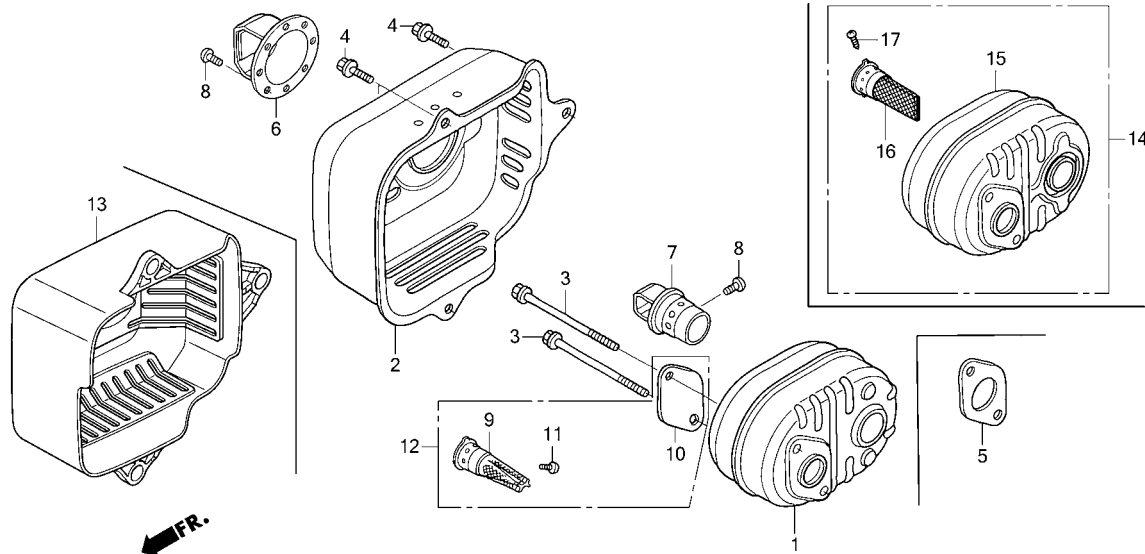
ZM00E1500B

**2**

Ref. No.	Part No.	Description	Reqd. QTY									Serial No.	Parts catalogue code
			GCV 160	GCV 160 A	GCV 160 A0	GCV 160 E	GCV 160 LE	GCV 160 LA	GCV 160 LA0	GCV 160 LA1			
9	15721-Z8B-900	TUBE, BREATHER .....	-	-	1	-	-	-	1	1	-----	G5B, G5B/A, G5BR, G5BR/A, N5B, N5B/A, N5BR, N5BR/A, S3AL, S3B, S3B/A, S3DB, S3HB, S3LB, S3LB/A, S4BB, S4GB, S4HB	

# E-16

# MUFFLER



Ref. L.O.N. (Relative ref. Number) F.R.T.  
 No. Description

Ref. No.	Part No.	Description	Reqd. QTY							Serial No.	Parts catalogue code	
			GCV 160	GCV 160 A	GCV 160 A0	GCV 160 E	GCV 160 LE	GCV 160 LA	GCV 160 LA0			GCV 160 LA1
1	18310-ZM0-000	MUFFLER COMP. ....	1	-	1	1	1	1	-	-	-----	A1A, A1AF, A1C, A1E, A1E7, A1E8, A1G7, A1G9, A1J, A1M A1P, A1U, A1W2, A1W7, A2A, A2A9, A2C, A2E, A2E4, A2E7 A2E8, A2E9, A2G4, A2G7, A2G9, A2R, A2U, A3E, A3E7 A3E9, A3G9, A3HV, A3T9, A3W7, A3W8, A4A9, A4E, A4EV A4G4, A4G7, A4G9, A7E1, A7H1, A7Q1, BHH, BHH1, C1E C1E1, C2E, C2E1, C3E, C3E1, C4E, C4E1, E1A2, E2G7, N1 N1A, N1AF, N1D, N1E1, N1E2, N1E7, N1J1, N1L, N1R, N1T8 N1T9, N1U, N1W, N1W1, N1W2, N1W7, N1W8, N1W9, N2, N2D N2E, N2E1, N2E2, N2E3, N2E7, N2E8, N2E9, N2EE, N2U N3T8, N3T9, N3U, N3V, N3W8, N3W9, N5AF, N5MF, N7A1 N7S1, R3A, S1A, S1E1, S1G4, S1M, S2E, S2E1, S2E2, S2E3 S2G7, S3A, S3E9, S3G9, S4E4, S4E9, S4G4, S4G9, S4H4 A1AW
	18310-Z0Y-000	.....	-	1	-	-	-	-	-	-	-----	A1E, A1E7, A1E8, A1M, A1W7, A2E7, A2E8, A2E9, A2G7 A3E, A7E1, BHH1, C1E, C1E1, C2E, C2E1, C3E, C3E1, C4E C4E1, E1A2, E1A4, E1G7, E2G7, E5A4, EHHB, N1E7, N1L N1W7, N1W8, N1W9, N2E7, N2E8, N2E9, R1A, R3A, R3A1 S2G7, S3H2
	18310-ZM0-000	.....	-	1	-	-	-	-	-	-	-----	5312563 A1A, A1AE, A1AF, A1AS, A1C, A2A, A2C, A2R, A3A, BHH N1A, N1AF, N1C, N1E1, N1U, N2U, N3V, N5A, N5AF, N5C N5MF, N5R, N7A1, N7S1, NBL1, RTL1, S1A, S1A1, S1M, S3A S3A2, S3H, STA1, STL1
	18310-Z0Y-000	.....	-	1	-	-	-	-	-	-	-----	6600167 N1R, N3U
	18310-Z0Y-000	.....	-	1	-	-	-	-	-	-	-----	5312564 A1A, A1AE, A1AF, A1AS, A1C, A2A, A2C, A2R, A3A, BHH N1A, N1AF, N1C, N1E1, N1U, N2U, N3V, N5A, N5AF, N5C N5MF, N5R, N7A1, N7S1, NBL1, RTL1, S1A, S1A1, S1M, S3A S3A2, S3H, STA1, STL1
		.....	-	1	-	-	-	-	-	-	-----	6600168 N1R, N3U
		.....	-	1	-	-	-	1	-	-	-----	A1A, N1R, N3U, N3V, N5R, S3H

2

# E-16

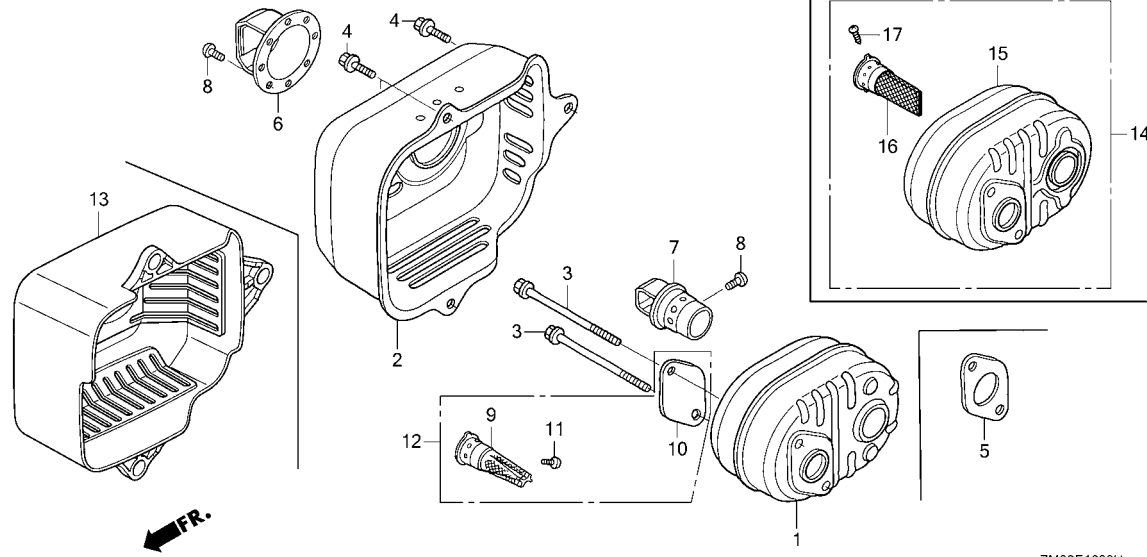
# MUFFLER

Ref. No.	Part No.	Description	Reqd. QTY									Serial No.	Parts catalogue code
			GCV 160	GCV 160 A	GCV 160 A0	GCV 160 E	GCV 160 LE	GCV 160 LA	GCV 160 LA0	GCV 160 LA1			
(1)	18310-Z0Y-010	MUFFLER COMP. ....	-	-	1	-	-	-	1	1	-----	A1A, A1A/A, A1AW, A1UV, A2UA, A7X1, G5B, G5B/A, G5BR, G5BR/A, N1U, N1U/A, N2U, N5B, N5B/A, N5BR, N5BR/A, N5R, N5RB, N5RE, R3L, R3LE, S3AL, S3B, S3B/A, S3DB, S3H, S3HB, S3L, S3LB, S3LB/A, S3LE, S3T, S3TE, S4BB, S4GB, S4HB, S4LE, SBA, SBA/A, SBH, SBH/A, SBHE, SBL, SBT, SBT/A, SBTE	
	18310-ZM0-010	.....	-	-	1	-	-	-	1	1	-----	A1G7, A2R, A2R/A, A3G7, A3HV, A3T9, A4G4, A4G7, A7H1, A7H1/A, A7Q1, A7Q1/A, BHH, G5AF, G5AF/A, G5MF, G5MF/A, N1A, N1A/A, N1AF, N2EE, N2KE, N3T8, N5AF, N5AF/A, N5MF, N7S1, NBHT, R3A, S3A, S3H2, S4G7	
	18310-ZM0-000	.....	-	-	-	-	-	-	1	-	-----	A1AF, E1A2, N7A1, S1A, S1M	
2	18320-Z0M-780	PROTECTOR COMP., MUFFLER.....	1	1	-	-	-	-	-	-	-----	A7E1, N7A1, N7S1	
	18321-ZL8-000	PROTECTOR, MUFFLER.....	1	-	-	-	1	-	-	-	-----	A1A, A1C, A1E, A1E7, A1E8, A1G7, A1J, A1U, A1W2, A1W7, A2A, A2A9, A2C, A2E, A2E4, A2E7, A2E8, A2E9, A2G7, A2R, A2U, A3E, A4A9, A4E, N1, N1D, N1E1, N1E2, N1E7, N1J1, N1R, N1U, N1W, N1W1, N1W2, N1W7, N1W8, N1W9, N2, N2D, N2E, N2E1, N2E2, N2E3, N2E7, N2E8, N2E9, N2U, N3U, N3V, A1P	
	18321-ZL8-A00	PROTECTOR, MUFFLER(BLACK).....	1	-	-	-	-	-	-	-	-----	A1A, A1AF, A1AS, A1AW, A1C, A1E, A1E7, A1E8, A1M, A1W7, A2A, A2C, A2E7, A2E8, A2E9, A2G7, A2R, A3A, A3E, C1E, C1E1, C2E, C2E1, C3E, C3E1, C4E, C4E1, E1A2, E1A4, E1G7, E2G7, E5A4, N1A, N1AF, N1C, N1E1, N1E7, N1L, N1R, N1U, N1W7, N1W8, N1W9, N2E7, N2E8, N2E9, N2U, N3U, N3V, N5A, N5AF, N5C, N5MF, N5R, R1A, R3A1, S1A, S1A1, S2G7, S3A2	
	18321-Z0L-000	PROTECTOR, MUFFLER.....	-	1	-	-	-	-	-	-	-----	BHH1, EHHB, NBL1, R3A, RTL1, S1M, S3H, S3H2, STA1, STL1	
	18321-Z0L-J00	.....	-	1	-	-	-	-	-	-	-----	A1AE, BHH, S3A	
	18321-ZL8-A00	PROTECTOR, MUFFLER(BLACK).....	-	1	-	-	-	-	-	-	2307311	A1AE, BHH, S3A	
	18321-Z0L-J00	PROTECTOR, MUFFLER.....	-	1	-	-	-	-	-	-	2307312	A1AE, BHH, S3A	
	18321-Z0L-810	.....	-	-	1	-	-	-	1	-	-----	A1G7, A3G7, A3T9, A4G4, A4G7, N3T8, NBHT, R3LE, S3AL, S3DB, S3HB, S3LE, S4BB, S4G7, S4GB, S4LE, SBHE, SBTE	
	18321-Z0L-800	.....	-	-	1	-	-	-	1	-	-----	A1UV, A2UA, A3HV, A7H1, A7H1/A, A7Q1/A, A7X1, N1U/A, N2EE, N2KE, S4HB	
	18321-Z0L-010	.....	-	-	1	-	-	-	-	-	1149597	A1AW, N1R, N1U, N2U, N3U, N3V	
	18321-Z0L-000	.....	-	-	1	-	-	-	-	-	1152561	A1E7, A1M, A2E7, C1E, C1E1, C2E, C2E1, C3E, C3E1, C4E, C4E1, E2G7, N1L, N5RE, S2G7	
	18321-Z0L-J00	.....	-	-	1	-	-	-	-	-	1152561	BHH1, S3H2	
	18321-Z0L-800	.....	-	-	1	-	-	-	-	-	1321823	S3TE	
	18320-Z0M-781	PROTECTOR COMP., MUFFLER.....	-	-	1	-	-	-	-	-	3246275	A7Q1	
	18321-Z0L-800	PROTECTOR, MUFFLER.....	-	-	1	-	-	-	-	-	1149598	A1AW, N1R, N1U, N2U, N3U, N3V	
	18321-Z0L-800	.....	-	-	1	-	-	-	-	-	1152562	A1E7, A1M, A2E7, C1E, C1E1, C2E, C2E1, C3E, C3E1, C4E, C4E1, E2G7, N1L, N5RE, S2G7	
	18321-Z0L-810	.....	-	-	1	-	-	-	-	-	1152562	BHH1, S3H2	
	18321-Z0L-800	.....	-	-	1	-	-	-	-	-	1321824	S3TE	
	18321-ZL8-000	.....	-	-	1	-	-	-	-	-	3246276	A7Q1	
	18321-ZL8-010	.....	-	-	-	1	-	-	-	-	-----	A1E7, A1E8, A1G7, A1W7, A2A9, A2E7, A2E8, A2E9, A2R, N1D, N1E1, N1E2, N1E7, N1R, N1T8, N1W8, N1W9, N2E9, N3T9, N3W8, S2E	
	18320-Z0M-781	PROTECTOR COMP., MUFFLER.....	-	-	-	1	-	-	-	-	-----	A3HV, N2EE, S4H4	
	18320-Z0M-780	.....	-	-	-	1	-	-	-	-	-----	A7Q1	
	18321-ZL8-000	PROTECTOR, MUFFLER.....	-	-	-	1	-	-	-	-	2675146	N7A1	
	18321-ZL8-000	.....	-	-	-	1	-	-	-	-	-----	A1G9, A2G4, A2G7, A2G9, A3E7, A3E9, A3G9, A3T9, A3W7, A3W8, A4G4, A4G7, A4G9, N1T9, N1W7, N2E7, N2E8, N3T8, N3W8, N3W9, S1E1, S1G4, S2E1, S2E2, S2E3, S3E9, S3G9, S4E4, S4E9, S4G4, S4G9	
	18321-ZL8-A00	PROTECTOR, MUFFLER(BLACK).....	-	-	-	1	-	-	-	-	2679341	A1P	
	18320-Z0M-780	PROTECTOR COMP., MUFFLER.....	-	-	-	1	-	-	-	-	3037008	A7E1	
	18321-ZL8-000	PROTECTOR, MUFFLER.....	-	-	-	1	-	-	-	-	3399374	N1J1	



# E-16

# MUFFLER



Ref. No.	Part No.	Description	Reqd. QTY								Serial No.	Parts catalogue code
			GCV 160	GCV 160 A	GCV 160 A0	GCV 160 E	GCV 160 LE	GCV 160 LA	GCV 160 LA0	GCV 160 LA1		
(2)	18321-ZL8-010	PROTECTOR, MUFFLER .....	-	-	-	1	-	-	-	-	2675147	----- N2E8
			-	-	-	1	-	-	-	-	2675147	3399374 A1G9, A2G4, A2G7, A2G9, A3E7, A3E9, A3G9, A3T9, A3W7, A3W8, A4G4, A4G7, A4G9, N1T9, N1W7, N2E7, N3T8, N3W8, N3W9, S1E1, S1G4, S2E1, S2E2, S2E3, S3E9, S3G9, S4E4, S4E9, S4G4, S4G9
	18321-ZL8-A01	PROTECTOR, MUFFLER(BLACK) .....	-	-	-	1	-	-	-	-	2679342	3399374 A1P
	18320-Z0M-781	PROTECTOR COMP., MUFFLER .....	-	-	-	1	-	-	-	-	3037009	----- A7E1
	18320-Z0M-780	.....	-	-	-	-	1	-	-	-	3037008	----- A7H1, N7A1
	18320-Z0M-781	.....	-	-	-	-	1	-	-	-	3037009	----- A7H1, N7A1
	18321-Z0L-J01	PROTECTOR, MUFFLER .....	-	-	-	-	-	1	-	1	-----	BHH, R3A, S1M, S3A, S3B, S3B/A, S3H, S3LB, S3LB/A, SBA, SBA/A, SBH, SBH/A, SBT, SBT/A
	18321-Z0L-010	.....	-	-	-	-	-	1	-	-	-----	A1A, A1AF, A2R, E1A2, N1A, N1AF, N5AF, N5MF, N5R, S1A
	18320-Z0M-781	PROTECTOR COMP., MUFFLER .....	-	-	-	-	-	1	-	-	-----	N7A1, N7S1
	18321-Z0L-010	PROTECTOR, MUFFLER .....	-	-	-	-	-	-	1	-	-----	A1A, G5AF, G5B, G5BR, G5MF, N5B, N5BR, N5RB
	18320-Z0M-781	PROTECTOR COMP., MUFFLER .....	-	-	-	-	-	-	1	-	-----	N7A1
	18321-Z0L-J01	PROTECTOR, MUFFLER .....	-	-	-	-	-	-	1	-	-----	R3L, S3B, S3L, S3LB, S3T, SBA, SBH, SBL, SBT
	18321-Z0L-000	.....	-	-	-	-	-	-	1	-	-----	1237556 A1AF, A2R, E1A2, N1A, N1AF, N5AF, N5MF, N5R, S1A
	18321-Z0L-J00	.....	-	-	-	-	-	-	1	-	-----	1243452 BHH, R3A, S1M, S3A, S3H
	18320-Z0M-781	PROTECTOR COMP., MUFFLER .....	-	-	-	-	-	-	1	-	-----	7801605 A7H1, N7S1
	18321-Z0L-010	PROTECTOR, MUFFLER .....	-	-	-	-	-	-	1	-	1237557	----- A1AF, A2R, E1A2, N1A, N1AF, N5AF, N5MF, N5R, S1A
	18321-Z0L-J01	.....	-	-	-	-	-	-	1	-	1243453	----- BHH, R3A, S1M, S3A, S3H
	18321-Z0L-800	.....	-	-	-	-	-	-	1	-	7801606	----- A7H1, N7S1
	18321-Z0L-010	.....	-	-	-	-	-	-	1	-	-----	A1A, A1A/A, A2R, A2R/A, G5AF, G5AF/A, G5B, G5B/A, G5BR, G5BR/A, G5MF, G5MF/A, N1A, N1A/A, N5AF, N5AF/A, N5B, N5B/A, N5BR, N5BR/A
3	90004-ZL8-000	BOLT, FLANGE, 6X79(CT200) .....	2	2	2	-	-	2	2	2	-----	A1E7, A1E8, A1G7, A1W7, A2A9, A2E7, A2E8, A2E9, A2R, N1D, N1E1, N1E2, N1E7, N1R, N1T8, N1W8, N1W9, N2E9, N3T9, N7A1, S2E

2

**E-16**

**MUFFLER**

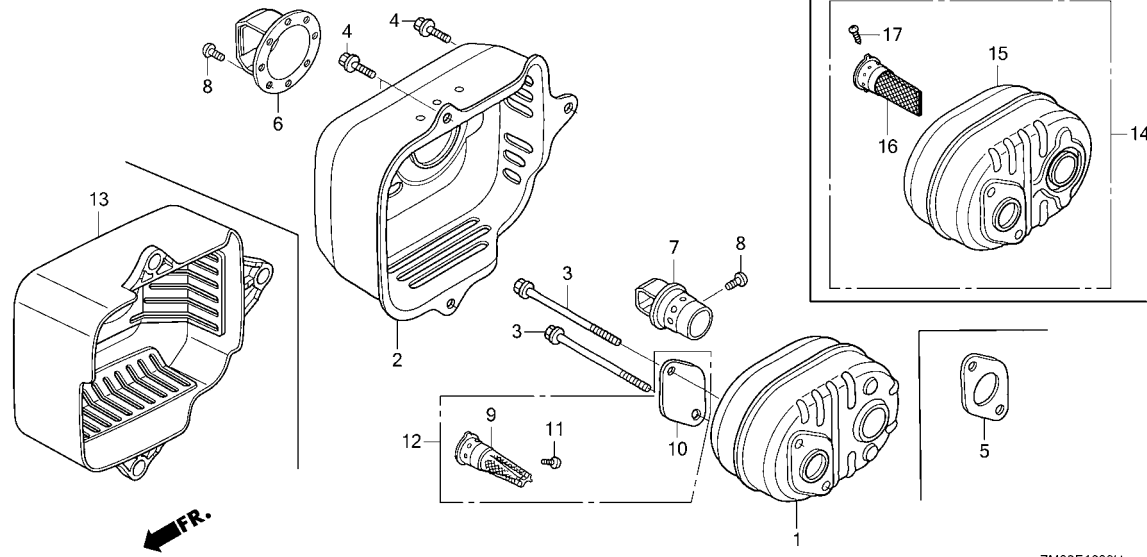
Ref. No.	Part No.	Description	Reqd. QTY										Serial No.	Parts catalogue code
			GCV 160	GCV 160 A	GCV 160 A0	GCV 160 E	GCV 160 LE	GCV 160 LA	GCV 160 LA0	GCV 160 LA1				
(3)	90004-Z1L-000	BOLT, FLANGE, 6X80 .....	-	-	-	2	-	-	-	-	-	-	-	A3HV, A4EV, S4H4
	90004-ZL8-000	BOLT, FLANGE, 6X79(CT200) .....	-	-	-	2	-	-	-	-	-	-	3399374	A1G9, A1P, A2G4, A2G7, A2G9, A3E7, A3E9, A3G9, A3T9 A3W7, A3W8, A4G4, A4G7, A4G9, A7E1, A7Q1, N1J1, N1T9 N1W7, N2E7, N2E8, N2EE, N3T8, N3W8, N3W9, S1E1, S1G4 S2E1, S2E2, S2E3, S3E9, S3G9, S4E4, S4E9, S4G4, S4G9
	90004-Z1L-000	BOLT, FLANGE, 6X80 .....	-	-	-	2	-	-	-	-	-	3399375	A1G9, A1P, A2G4, A2G7, A2G9, A3E7, A3E9, A3G9, A3T9 A3W7, A3W8, A4G4, A4G7, A4G9, A7E1, A7Q1, N1J1, N1T9 N1W7, N2E7, N2E8, N2EE, N3T8, N3W8, N3W9, S1E1, S1G4 S2E1, S2E2, S2E3, S3E9, S3G9, S4E4, S4E9, S4G4, S4G9	
	90004-ZL8-000	BOLT, FLANGE, 6X79(CT200) .....	-	-	-	-	2	-	-	-	-	-	3326545	A1E7, A1E8, A1G7, A1W7, A2A9, A2E7, A2E8, A2E9, A2R N1D, N1E1, N1E2, N1E7, N1R, N1T8, N1W8, N1W9, N2E9 N3T9, N7A1, S2E
	90004-Z1L-000	BOLT, FLANGE, 6X80 .....	-	-	-	-	2	-	-	-	-	-	3326546	A3HV, S4H4
4	90013-883-000	BOLT, FLANGE, 6X12(CT200) .....	3	3	3	-	-	3	3	3	-	-	-	A1E7, A1E8, A1G7, A1W7, A2A9, A2E7, A2E8, A2E9, A2R N1D, N1E1, N1E2, N1E7, N1R, N1T8, N1W8, N1W9, N2E9 N3T9, N7A1, S2E
	90013-Z1L-000	BOLT, FLANGE, 6X13 .....	-	-	-	3	-	-	-	-	-	-	-	A3HV, S4H4
	90021-Z1L-000	BOLT, FLANGE, 6X21 .....	-	-	-	3	-	-	-	-	-	-	-	A4EV
	90013-883-000	BOLT, FLANGE, 6X12(CT200) .....	-	-	-	3	-	-	-	-	-	-	3304195	A1G9, A1P, A2G4, A2G7, A2G9, A3E7, A3E9, A3G9, A3T9 A3W7, A3W8, A4G4, A4G7, A4G9, N1J1, N1T9, N1W7, N2E7 N3T8, N3W8, N3W9, S1E1, S1G4, S2E1, S2E2, S2E3, S3E9 S3G9, S4E4, S4E9, S4G4, S4G9
	90022-888-010	BOLT, FLANGE, 6X20(CT200) .....	-	-	-	3	-	-	-	-	-	-	3346680	A7E1, A7Q1, N2E8, N2EE
	90013-Z1L-000	BOLT, FLANGE, 6X13 .....	-	-	-	3	-	-	-	-	-	-	3304196	A1G9, A1P, A2G4, A2G7, A2G9, A3E7, A3E9, A3G9, A3T9 A3W7, A3W8, A4G4, A4G7, A4G9, N1J1, N1T9, N1W7, N2E7 N3T8, N3W8, N3W9, S1E1, S1G4, S2E1, S2E2, S2E3, S3E9 S3G9, S4E4, S4E9, S4G4, S4G9
	90021-Z1L-000	BOLT, FLANGE, 6X21 .....	-	-	-	3	-	-	-	-	-	-	3400102	A7E1, A7Q1, N2E8, N2EE
	90013-Z1L-000	BOLT, FLANGE, 6X13 .....	-	-	-	3	-	-	-	-	-	-	3346681	A1G9, A1P, A2G4, A2G7, A2G9, A3E7, A3E9, A3G9, A3T9 A3W7, A3W8, A4G4, A4G7, A4G9, N1J1, N1T9, N1W7, N2E7 N3T8, N3W8, N3W9, S1E1, S1G4, S2E1, S2E2, S2E3, S3E9 S3G9, S4E4, S4E9, S4G4, S4G9
	90021-Z1L-000	BOLT, FLANGE, 6X21 .....	-	-	-	3	-	-	-	-	-	-	3400103	A7E1, A7Q1, N2E8, N2EE
	90013-883-000	BOLT, FLANGE, 6X12(CT200) .....	-	-	-	-	3	-	-	-	-	-	3406723	A1G9, A1P, A2G4, A2G7, A2G9, A3E7, A3E9, A3G9, A3T9 A3W7, A3W8, A4G4, A4G7, A4G9, N1J1, N1T9, N1W7, N2E7 N3T8, N3W8, N3W9, S1E1, S1G4, S2E1, S2E2, S2E3, S3E9 S3G9, S4E4, S4E9, S4G4, S4G9
	90013-Z1L-000	BOLT, FLANGE, 6X13 .....	-	-	-	-	3	-	-	-	-	-	3406724	A1E7, A1E8, A1G7, A1W7, A2A9, A2E7, A2E8, A2E9, A2R N1D, N1E1, N1E2, N1E7, N1R, N1T8, N1W8, N1W9, N2E9 N3T9, N7A1, S2E
5	18381-ZL8-305	GASKET, MUFFLER .....	(1)	(1)	(1)	(1)	(1)	(1)	(1)	(1)	(1)	-	-	A1E7, A1E8, A1G7, A1W7, A2A9, A2E7, A2E8, A2E9, A2R N1D, N1E1, N1E2, N1E7, N1R, N1T8, N1W8, N1W9, N2E9 N3T9, N7A1, S2E
6	18348-ZL8-000	CAP, MUFFLER .....	1	1	1	1	-	-	-	-	-	-	-	N1E1, N2E1, N2E3, N2E8, N2E9, N2EE
	18348-Z0L-000	.....	-	-	-	-	-	1	-	-	-	-	-	N5MF
7	18430-ZL8-000	DEFLECTOR COMP., MUFFLER .....	1	1	1	1	-	-	-	-	-	-	-	N1E1, N2E1, N2E3, N2E8, N2E9, N2EE
8	90055-ZE1-000	SCREW, TAPPING, 4X6 .....	4	4	4	4	-	-	-	-	-	-	-	N1E1, N2E1, N2E3, N2E8, N2E9, N2EE
			-	-	-	-	-	2	-	-	-	-	-	N5MF
9	18350-ZL8-000	ARRESTER COMP., SPARK .....	(1)	(1)	(1)	(1)	(1)	(1)	(1)	-	-	-	-	A1A, A1AE, A1AF, A1AS, A1AW, A1C, A1M, A2A, A2A9, A2C A2R, A3A, A4A9, A7H1, BHH, E1A2, E1A4, E5A4, EHBB, N1A N1AF, N1C, N1L, N5A, N5AF, N5C, N5MF, N5R, N5RE, N7A1 N7S1, NBL1, R1A, R3A, R3A1, R3LE, RTL1, S1A, S1A1, S1M S3A, S3A2, S3DB, S3H, S3H2, S3LE, S3TE, S4LE, SBHE SBTE, STA1, STL1
			1	-	1	-	-	-	-	-	-	-	-	A1E8, A2E8, A3T9, N3T8
			-	1	-	-	-	-	-	-	-	-	-	A1E8, A1W7, A2E8, N1W8, N1W9
			-	-	-	1	-	-	-	-	-	-	-	A1E8, A2E8, A3T9, A3W7, A3W8, N1T8, N1T9, N3T8, N3T9 N3W8, N3W9
			-	-	-	-	-	-	(1)	-	-	-	-	A1A, A1AF, A2R, BHH, E1A2, G5AF, G5B, G5BR, G5MF, N1A N1AF, N5AF, N5B, N5BR, N5MF, N5R, N5RB, N7A1, N7S1 R3A, R3L, S1A, S1M, S3A, S3B, S3DB, S3H, S3L, S3LB, S3T SBA, SBH, SBL, SBT





# E-16

# MUFFLER



ZM00E1600H

Ref. No.	Part No.	Description	Reqd. QTY									Serial No.	Parts catalogue code	
			GCV 160	GCV 160 A	GCV 160 A0	GCV 160 E	GCV 160 LE	GCV 160 LA	GCV 160 LA0	GCV 160 LA1				
10	18356-ZL8-000	PLATE, ARRESTER NUMBER.....	(1)	(1)	(1)	(1)	(1)	(1)	(1)	(1)	-	-	-----	A1A, A1AE, A1AF, A1AS, A1AW, A1C, A1M, A2A, A2A9, A2C, A2R, A3A, A4A9, A7H1, BHH, E1A2, E1A4, E5A4, EHHB, N1A, N1AF, N1C, N1L, N5A, N5AF, N5C, N5MF, N5R, N5RE, N7A1, N7S1, NBL1, R1A, R3A, R3A1, R3LE, RTL1, S1A, S1A1, S1M, S3A, S3A2, S3DB, S3H, S3H2, S3LE, S3TE, S4LE, SBHE, SBTE, STA1, STL1
			-	-	-	-	-	-	-	-	(1)	-	-----	A1A, A1AF, A2R, BHH, E1A2, G5AF, G5B, G5BR, G5MF, N1A, N1AF, N5AF, N5B, N5BR, N5MF, N5R, N5RB, N7A1, N7S1, R3A, R3L, S1A, S1M, S3A, S3B, S3DB, S3H, S3L, S3LB, S3T, SBA, SBH, SBL, SBT
11	90055-ZE1-000	SCREW, TAPPING, 4X6.....	(1)	(1)	(1)	(1)	(1)	(1)	(1)	(1)	-	-	-----	A1A, A1AE, A1AF, A1AS, A1AW, A1C, A1M, A2A, A2A9, A2C, A2R, A3A, A4A9, A7H1, BHH, E1A2, E1A4, E5A4, EHHB, N1A, N1AF, N1C, N1L, N5A, N5AF, N5C, N5MF, N5R, N5RE, N7A1, N7S1, NBL1, R1A, R3A, R3A1, R3LE, RTL1, S1A, S1A1, S1M, S3A, S3A2, S3DB, S3H, S3H2, S3LE, S3TE, S4LE, SBHE, SBTE, STA1, STL1
			1	-	1	-	-	-	-	-	-	-	-----	A1E8, A2E8, A3T9, N3T8
			-	1	-	-	-	-	-	-	-	-	-----	A1E8, A1W7, A2E8, N1W8, N1W9
			-	-	-	1	-	-	-	-	-	-	-----	A1E8, A2E8, A3T9, A3W7, A3W8, N1T8, N1T9, N3T8, N3T9, N3W8, N3W9
			-	-	-	-	-	-	-	(1)	-	-	-----	A1A, A1AF, A2R, BHH, E1A2, G5AF, G5B, G5BR, G5MF, N1A, N1AF, N5AF, N5B, N5BR, N5MF, N5R, N5RB, N7A1, N7S1, R3A, R3L, S1A, S1M, S3A, S3B, S3DB, S3H, S3L, S3LB, S3T, SBA, SBH, SBL, SBT



**E-16**

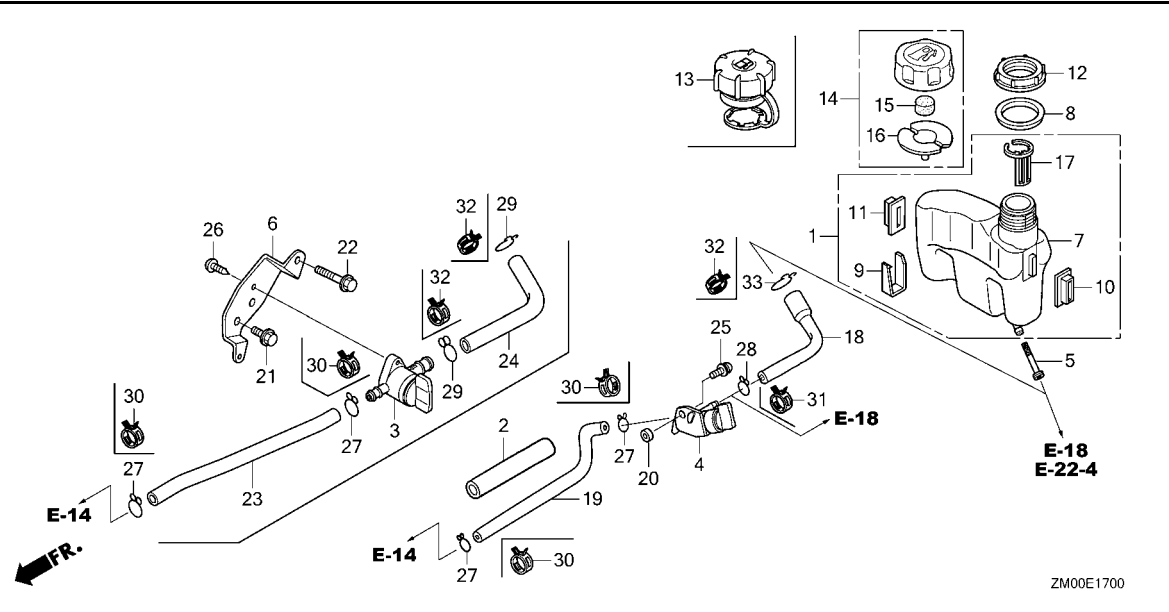
**MUFFLER**

Ref. No.	Part No.	Description	Reqd. QTY								Serial No.	Parts catalogue code	
			GCV 160	GCV 160 A	GCV 160 A0	GCV 160 E	GCV 160 LE	GCV 160 LA	GCV 160 LA0	GCV 160 LA1			
12	06180-Z0J-000	ARRESTER KIT, SPARK.....	-	(1)	(1)	-	-	(1)	(1)	-	-----	A1A, A1AE, A1AF, A1AS, A1AW, A2A, A2R, A3A, BHH, E1A2 E1A4, E5A4, EHBB, G5AF, G5B, G5BR, G5MF, N1A, N1AF N1C, N5A, N5AF, N5B, N5BR, N5C, N5MF, N5R, N5RB, N5RE N7A1, N7S1, NBL1, R1A, R3A, R3A1, R3L, R3LE, RTL1, S1A S1A1, S1M, S3A, S3A2, S3B, S3DB, S3H, S3L, S3LB, S3LE S3T, S3TE, S4LE, SBA, SBH, SBHE, SBL, SBT, SBTE, STA1 STL1	
13	18320-Z1L-000	PROTECTOR COMP., MUFFLER.....	-	-	-	1	-	-	-	-	-----	A4EV	
			-	-	-	1	-	-	-	-	3399375	-----	A1G9, A1P, A2G4, A2G7, A2G9, A3E7, A3E9, A3G9, A3T9 A3W7, A3W8, A4G4, A4G7, A4G9, N1J1, N1T9, N1W7, N2E7 N3T8, N3W8, N3W9, S1E1, S1G4, S2E1, S2E2, S2E3, S3E9 S3G9, S4E4, S4E9, S4G4, S4G9
14	18300-Z8A-000	MUFFLER ASSY.(ARRESTER).....	-	-	(1)	-	-	-	(1)	(1)	-----	A1A, A1A/A, A1AW, G5B, G5B/A, G5BR, G5BR/A, N5B N5B/A, N5BR, N5BR/A, N5R, N5RB, N5RE, R3L, R3LE, S3B S3B/A, S3DB, S3H, S3H2, S3L, S3LB, S3LB/A, S3LE, S3T S3TE, S4LE, SBA, SBA/A, SBH, SBH/A, SBHE, SBL, SBT SBT/A, SBTE	
	18300-Z0L-000	.....	-	-	-	-	-	-	(1)	(1)	-----	A2R, A2R/A, A7H1, A7H1/A, A7X1, BHH, G5AF, G5AF/A G5MF, G5MF/A, N1A, N1A/A, N1AF, N5AF, N5AF/A, N5MF N7S1, R3A, S3A	
15	18310-Z8A-000	MUFFLER COMP. ....	-	-	(1)	-	-	-	(1)	(1)	-----	A1A, A1A/A, A1AW, G5B, G5B/A, G5BR, G5BR/A, N5B N5B/A, N5BR, N5BR/A, N5R, N5RB, N5RE, R3L, R3LE, S3B S3B/A, S3DB, S3H, S3H2, S3L, S3LB, S3LB/A, S3LE, S3T S3TE, S4LE, SBA, SBA/A, SBH, SBH/A, SBHE, SBL, SBT SBT/A, SBTE	
	18310-Z0L-000	.....	-	-	-	-	-	-	(1)	(1)	-----	A2R, A2R/A, A7H1, A7H1/A, A7X1, BHH, G5AF, G5AF/A G5MF, G5MF/A, N1A, N1A/A, N1AF, N5AF, N5AF/A, N5MF N7S1, R3A, S3A	
16	18350-Z0Y-000	ARRESTER COMP., SPARK.....	-	-	(1)	-	-	-	(1)	(1)	-----	A1A, A1A/A, A1AW, A2R, A2R/A, A7H1, A7H1/A, A7X1, BHH G5AF, G5AF/A, G5B, G5B/A, G5BR, G5BR/A, G5MF, G5MF/A N1A, N1A/A, N1AF, N5AF, N5AF/A, N5B, N5B/A, N5BR N5BR/A, N5MF, N5R, N5RB, N5RE, N7S1, R3A, R3L, R3LE S3A, S3B, S3B/A, S3DB, S3H, S3H2, S3L, S3LB, S3LB/A S3LE, S3T, S3TE, S4LE, SBA, SBA/A, SBH, SBH/A, SBHE SBL, SBT, SBT/A, SBTE	
17	90055-ZE1-000	SCREW, TAPPING, 4X6.....	-	-	(1)	-	-	-	(1)	(1)	-----	A1A, A1A/A, A1AW, A2R, A2R/A, A7H1, A7H1/A, A7X1, BHH G5AF, G5AF/A, G5B, G5B/A, G5BR, G5BR/A, G5MF, G5MF/A N1A, N1A/A, N1AF, N5AF, N5AF/A, N5B, N5B/A, N5BR N5BR/A, N5MF, N5R, N5RB, N5RE, N7S1, R3A, R3L, R3LE S3A, S3B, S3B/A, S3DB, S3H, S3H2, S3L, S3LB, S3LB/A S3LE, S3T, S3TE, S4LE, SBA, SBA/A, SBH, SBH/A, SBHE SBL, SBT, SBT/A, SBTE	



E-17

FUEL TANK



Ref. No. L.O.N. (Relative ref. Number) Description F.R.T.

ZM00E1700

Ref. No.	Part No.	Description	Reqd. QTY							Serial No.	Parts catalogue code		
			GCV 160	GCV 160 A	GCV 160 A0	GCV 160 E	GCV 160 LE	GCV 160 LA	GCV 160 LA0			GCV 160 LA1	
1	06175-Z8B-800	TANK KIT, FUEL .....	-	-	1	-	-	-	-	-	1634651	N5RE, S3TE, SBTE	
			-	-	-	1	-	-	-	-	-	3413207	A4EV
			-	-	-	-	1	-	-	-	-	3406723	
			-	-	-	-	-	-	1	-	-		A1AF, E1A2, G5AF, G5MF, N7A1, S1A, S1M
			-	-	-	-	-	-	1	-	-	3116717	A1A, A2R, BHH, N1A, N1AF, N5AF, N5MF, N5R, N5RB, N7S1 R3A, S3A, S3H, S3T, SBT
			-	-	-	-	-	-	-	1	-		A1A, A1A/A, A2R, A2R/A, G5AF, G5AF/A, G5MF, G5MF/A N1A, N1A/A, N5AF, N5AF/A, SBT, SBT/A
			-	-	-	-	-	-	-	-	1	1854820	N1AF, N5AF, N5MF, N5R, N5RB, N5RE
			-	-	-	-	-	-	-	-	-		A1G7, A1UV, A2UA, A3G7, A3HV, A3T9, A4G7, A7Q1 A7Q1/A, N1U/A, N2EE, N2KE, N3T8, NBHT, S4G7, SBHE
			-	-	-	1	-	-	-	-	-	1851726	A1AW, N1U, N2U
			-	-	-	-	1	-	-	-	-		A3HV, A4EV
2	16854-ZH8-000	RUBBER, SUPPORTER(107MM).....	-	-	1	-	-	-	-	-		A1A, A1AF, A2A9, A2R, A4A9, A7H1, BHH, E1A2, N1A, N1AF N5AF, N5MF, N5R, N7A1, N7S1	
			-	-	1	-	-	-	-	-	-		S1A, S1M, S3A, S3H
			-	-	-	-	-	-	1	-	-	6901760	R3A
			-	-	-	-	-	-	1	-	-	8028729	R3A
			-	-	-	-	-	-	-	1	1		A1A, A1A/A, A1AF, A2R, A2R/A, A7H1, A7H1/A, A7X1, BHH E1A2, N1A, N1A/A, N7A1, N7S1, SBA, SBA/A, SBH, SBH/A SBL
			-	-	-	-	-	-	-	-	1		R3A, R3L, R3LE, S1A, S1M, S3A, S3AL, S3B, S3B/A, S3DB S3H, S3HB, S3L, S3LB, S3LB/A, S3LE, S3T, S3TE, S4BB S4GB, S4HB, S4LE, SBT, SBT/A, SBTE
			-	-	-	-	-	-	1	-	-	6901761	S1A, S1M, S3A, S3H
			-	-	-	-	-	-	1	-	-	8028730	R3A
			-	-	-	-	-	-	-	-	-		
			-	-	-	-	-	-	-	-	-		
3	16950-Z0Y-003	COCK ASSY., FUEL .....	-	-	1	-	-	-	1	1			
			-	-	-	-	-	1	-	-			



**E-17**

**FUEL TANK**

Ref. No.	Part No.	Description	Reqd. QTY										Serial No.	Parts catalogue code
			GCV 160	GCV 160 A	GCV 160 A0	GCV 160 E	GCV 160 LE	GCV 160 LA	GCV 160 LA0	GCV 160 LA1				
4	16950-ZM0-003	COCK ASSY., FUEL .....	-	-	1	-	-	-	1	-	-	-	1854820	N1AF, N5AF, N5MF, N5R, N5RB, N5RE A1G7, A1UV, A2UA, A3G7, A3HV, A3T9, A4G7, A7Q1 A7Q1/A, N1U, N1U/A, N2EE, N2KE, N2U, N3T8, NBHT, S4G7 SBHE
			-	-	1	-	-	-	-	-	-	1851726	A1AW, N1U, N2U A3HV, A4EV A1A, A1AF, A2A9, A2R, A4A9, A7H1, BHH, E1A2, N1A, N1AF N5AF, N5MF, N5R, N7A1, N7S1	
			-	-	-	-	-	1	-	-	-	6901760	S1A, S1M, S3A, S3H	
			-	-	-	-	-	1	-	-	-	8028729	R3A	
			-	-	-	-	-	-	1	1	-		A1A, A1A/A, A1AF, A2R, A2R/A, A7H1, A7H1/A, A7X1, BHH E1A2, N1A, N1A/A, N7A1, N7S1, SBA, SBA/A, SBH, SBH/A SBL	
5	16952-Z8B-000	STRAINER, FUEL .....	-	-	1	-	-	-	1	-	-		A1G7, A1UV, A2UA, A3G7, A3HV, A3T9, A4G7, A7H1, A7Q1 A7Q1/A, G5AF, G5B, G5BR, G5MF, N1U/A, N2EE, N2KE N3T8, N5B, N5BR, NBHT, R3L, R3LE, S3AL, S3B, S3DB S3HB, S3L, S3LB, S3LE, S4BB, S4G7, S4GB, S4HB, S4LE SBA, SBH, SBHE, SBL, SBTE	
	16952-ZA8-800	.....	-	-	1	-	-	-	-	-	-	1428001	N5RE, S3TE	
	16952-Z8B-000	.....	-	-	1	-	-	-	-	-	-	1428002	N5RE, S3TE	
	16952-ZA8-800	.....	-	-	-	-	-	1	-	-	-	1851726	A1AW, N1U, N2U A3HV, A4EV	
			-	-	-	-	-	1	1	-	-		A1AF, E1A2, N7A1, S1A, S1M	
			-	-	-	-	-	-	1	-	-	2240292	A1A, A2R, BHH, N1A, N1AF, N5AF, N5MF, N5R, N5RB, N7S1 R3A, S3A, S3H, S3T, SBT	
	16952-Z8B-000	.....	-	-	-	-	-	-	1	-	-	2240293	A1A, A2R, BHH, N1A, N1AF, N5AF, N5MF, N5R, N5RB, N7S1 R3A, S3A, S3H, S3T, SBT	
			-	-	-	-	-	-	-	1	-		A1A, A1A/A, A2R, A2R/A, A7H1, A7H1/A, G5AF, G5AF/A G5B, G5B/A, G5BR, G5BR/A, G5MF, G5MF/A, N1A, N1A/A N5AF, N5AF/A, N5B, N5B/A, N5BR, N5BR/A, S3B, S3B/A S3LB, S3LB/A, SBA, SBA/A, SBH, SBH/A, SBT, SBT/A	
6	16961-Z0L-900	STAY, FUEL COCK .....	-	-	1	-	-	-	1	1	-		R3A, R3L, R3LE, S1A, S1M, S3A, S3AL, S3B, S3B/A, S3DB S3H, S3HB, S3L, S3LB, S3LB/A, S3LE, S3T, S3TE, S4BB S4GB, S4HB, S4LE, SBT, SBT/A, SBTE	
			-	-	-	-	-	1	-	-	-	6901761	S1A, S1M, S3A, S3H	
			-	-	-	-	-	1	-	-	-	8028730	R3A	
7	17511-Z8B-801	TANK, FUEL .....	-	-	1	-	-	-	1	-	-		A1G7, A1UV, A2UA, A3G7, A3HV, A3T9, A4G7, A7H1, A7Q1 A7Q1/A, G5AF, G5B, G5BR, G5MF, N1U/A, N2EE, N2KE, N5B N5BR, NBHT, R3L, S3AL, S3B, S3DB, S3HB, S3L, S3LB S4BB, S4G7, S4GB, S4HB, SBA, SBH, SBHE, SBL	
	17511-Z8B-800	.....	-	-	1	-	-	-	-	-	-		N3T8, R3LE, S3LE, S4LE	
			-	-	1	-	-	-	-	-	-	1634652	N5RE	
	17511-Z8B-801	.....	-	-	1	-	-	-	-	-	-	1634652	S3TE, SBTE	
	17511-Z8B-800	.....	-	-	1	-	-	-	-	-	-	1851726	A1AW	
	17511-Z8B-801	.....	-	-	1	-	-	-	-	-	-	1851726	N1U, N2U	
	17511-Z8B-800	.....	-	-	-	-	-	1	-	-	-		A3HV	
			-	-	-	-	-	1	-	-	-	3413208	A4EV	
			-	-	-	-	-	1	-	-	-	3406724		
	17511-Z8B-801	.....	-	-	-	-	-	-	1	-	-	3116718	A1A, A2R, N1A, N1AF, N5AF, N5MF, N5RB, R3A, S3H, SBT	
	17511-Z8B-800	.....	-	-	-	-	-	-	1	-	-	3116718	BHH, N5R, N7S1, S3A, S3T	
	17511-Z8B-801	.....	-	-	-	-	-	-	-	1	-			





# E-17

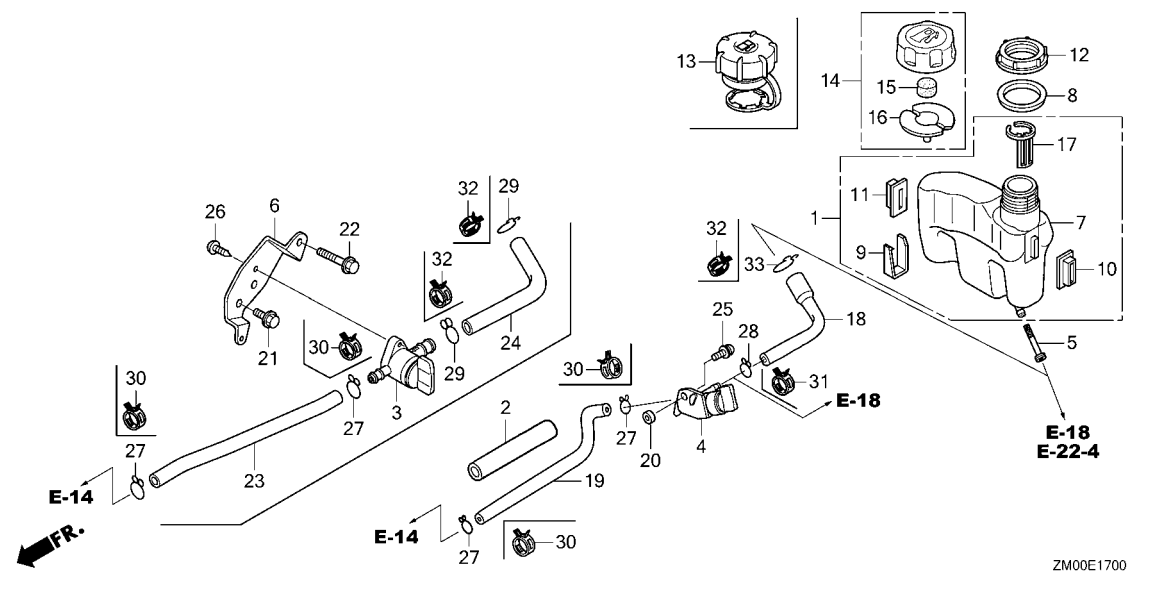
# FUEL TANK

Ref. No.	Part No.	Description	Reqd. QTY							Serial No.	Parts catalogue code			
			GCV 160	GCV 160 A	GCV 160 A0	GCV 160 E	GCV 160 LE	GCV 160 LA	GCV 160 LA0			GCV 160 LA1		
11	17533-Z8B-800	RUBBER B, TANK MOUNTING.....	-	-	1	-	-	-	1	-	-----	A1G7, A1UV, A2UA, A3G7, A3HV, A3T9, A4G7, A7H1, A7Q1 A7Q1/A, G5AF, G5B, G5BR, G5MF, N1U/A, N2EE, N2KE N3T8, N5B, N5BR, NBHT, R3L, R3LE, S3AL, S3B, S3DB S3HB, S3L, S3LB, S3LE, S4BB, S4G7, S4GB, S4HB, S4LE SBA, SBH, SBHE, SBL		
			-	-	1	-	-	-	-	-	1634652	-----	N5RE, S3TE, SBTE	
			-	-	1	-	-	-	-	-	1851726	-----	A1AW, N1U, N2U	
			-	-	-	1	-	-	-	-	-----	-----	A3HV	
			-	-	-	1	-	-	-	-	3413208	-----	A4EV	
			-	-	-	-	1	-	-	-	3406724	-----		
			-	-	-	-	-	-	1	-	3116718	-----	A1A, A2R, BHH, N1A, N1AF, N5AF, N5MF, N5R, N5RB, N7S1 R3A, S3A, S3H, S3T, SBT	
12	17534-Z0L-000	NUT, TANK MOUNTING.....	-	-	1	-	-	-	-	1	-----	A1G7, A1UV, A2UA, A3G7, A3HV, A3T9, A4G7, A7Q1 A7Q1/A, N1U/A, N2EE, N2KE, N3T8, N5RE, NBHT, R3LE S3AL, S3DB, S3HB, S3LE, S3TE, S4BB, S4G7, S4GB, S4HB S4LE, SBHE, SBTE		
			-	-	1	-	-	-	-	-	1851726	-----	A1AW, N1U, N2U	
			-	-	-	1	-	-	-	-	-----	-----	A3HV, A4EV	
13	17620-Z0J-800	CAP ASSY., FUEL TANK.....	-	-	1	1	1	1	1	1	-----	A3HV, A4EV, N5RE, S3TE, S4HB, SBTE		
			-	-	-	1	1	1	1	1	-----	A1A, A1AF, A2A9, A2R, A4A9, A7H1, A7H1/A, A7X1, BHH E1A2, G5AF, G5B, G5BR, G5MF, N1A, N1AF, N5AF, N5B N5BR, N5MF, N5R, N5RB, N7A1, N7S1, R3A, R3L, S1A, S1M S3A, S3B, S3H, S3L, S3LB, S3T, SBA, SBH, SBL, SBT		
	17620-Z8B-800	.....	-	-	-	-	-	-	-	1	2001837	-----	A1A/A, A2R/A, G5AF/A, G5B/A, G5BR/A, G5MF/A, N1A/A N5AF/A, N5B/A, N5BR/A, S3B/A, S3LB/A, SBA/A, SBH/A SBT/A	
			-	-	-	-	-	-	-	1	2001838	-----	A1A/A, A2R/A, G5AF/A, G5B/A, G5BR/A, G5MF/A, N1A/A N5AF/A, N5B/A, N5BR/A, S3B/A, S3LB/A, SBA/A, SBH/A SBT/A	
14	17620-Z0M-000	CAP ASSY., FUEL TANK.....	-	-	1	-	-	-	1	-	-----	A1G7, A1UV, A2UA, A3G7, A3T9, A4G7, A7Q1, A7Q1/A N1U/A, N2EE, N2KE, N3T8, NBHT, R3LE, S3AL, S3DB, S3HB S3LE, S4BB, S4G7, S4GB, S4LE, SBHE		
			-	-	1	-	-	-	-	-	1851726	-----	A1AW, N1U, N2U	
15	17622-888-010	SPONGE, FUEL CAP BREATHER.....	-	-	1	-	-	-	1	-	-----	A1G7, A1UV, A2UA, A3G7, A3T9, A4G7, A7Q1, A7Q1/A N1U/A, N2EE, N2KE, N3T8, NBHT, R3LE, S3AL, S3DB, S3HB S3LE, S4BB, S4G7, S4GB, S4LE, SBHE		
			-	-	1	-	-	-	-	-	1851726	-----	A1AW, N1U, N2U	
16	17624-ZE7-000	PACKING, FUEL CAP.....	-	-	1	-	-	-	1	-	-----	A1G7, A1UV, A2UA, A3G7, A3T9, A4G7, A7Q1, A7Q1/A N1U/A, N2EE, N2KE, N3T8, NBHT, R3LE, S3AL, S3DB, S3HB S3LE, S4BB, S4G7, S4GB, S4LE, SBHE		
			-	-	1	-	-	-	-	-	1851726	-----	A1AW, N1U, N2U	
17	17636-Z0L-010	GAUGE, FUEL LEVEL.....	-	-	1	-	-	-	-	-	-----	A1G7, A1UV, A2UA, A3G7, A3HV, A3T9, A4G7, A7Q1 A7Q1/A, N1U/A, N2EE, N2KE, N3T8, N5RE, NBHT, R3LE S3AL, S3DB, S3HB, S3LE, S3TE, S4BB, S4G7, S4GB, S4HB S4LE, SBHE, SBTE		
			-	-	1	-	-	-	-	-	1851726	-----	A1AW, N1U, N2U	
			-	-	-	1	-	-	-	-	-----	-----	A3HV, A4EV	
			-	-	-	-	1	-	-	-	3406724	-----		
18	17701-Z0L-810	TUBE, FUEL TANK.....	-	-	1	-	1	1	-	-	-----	A1A, A1AF, A1G7, A1UV, A2A9, A2R, A2UA, A3G7, A3HV A3T9, A4A9, A4G7, BHH, E1A2, N1A, N1AF, N1U/A, N2EE N2KE, N3T8, N5AF, N5MF, N5R, NBHT, S4G7		
	17701-Z8B-811	TUBE, FUEL TANK(FKM).....	-	-	1	-	-	-	1	-	-----	1854820	-----	N1AF, N5AF, N5MF, N5R, N5RB, N5RE
			-	-	1	-	-	-	-	-	-----	-----	SBHE	
	17701-Z0L-810	TUBE, FUEL TANK.....	-	-	1	-	-	-	-	-	1851726	-----	A1AW, N1U, N2U	



# E-17

# FUEL TANK



ZM00E1700

Ref. No.	Part No.	Description	Reqd. QTY									Serial No.	Parts catalogue code
			GCV 160	GCV 160 A	GCV 160 A0	GCV 160 E	GCV 160 LE	GCV 160 LA	GCV 160 LA0	GCV 160 LA1			
18)	17701-Z8B-811	TUBE, FUEL TANK(FKM).....	-	-	-	1	-	-	-	-	-	-	A3HV, A4EV
	17701-Z0L-810	TUBE, FUEL TANK.....	-	-	-	-	-	-	1	-	-	-	6901760 S1A, S1M, S3A, S3H
			-	-	-	-	-	-	1	-	-	-	8028729 R3A
	17701-Z8B-811	TUBE, FUEL TANK(FKM).....	-	-	-	-	-	-	-	1	1	-	A1A, A1A/A, A1AF, A2R, A2R/A, BHH, E1A2, N1A, N1A/A, SBA, SBA/A, SBH, SBH/A, SBL
19	17702-ZM0-800	TUBE, FUEL.....	-	-	1	-	-	-	1	-	-	-	A1A, A1AF, A1G7, A1UV, A2R, A2UA, A3G7, A3HV, A3T9, A4G7, BHH, E1A2, N1A, N1AF, N1U/A, N2EE, N2KE, N3T8, N5AF, N5MF, N5R, N7A1, N7S1, NBHT, S4G7
	17702-Z8B-801	TUBE, FUEL(FKM).....	-	-	1	-	-	-	1	-	-	-	1854820 N1AF, N5AF, N5MF, N5R, N5RB, N5RE
			-	-	1	-	-	-	-	-	-	-	A7Q1, A7Q1/A, SBHE
	17702-ZM0-800	TUBE, FUEL.....	-	-	1	-	-	-	-	-	-	1851726	A1AW, N1U, N2U
	17702-Z8B-801	TUBE, FUEL(FKM).....	-	-	-	1	-	-	-	-	-	-	A3HV, A4EV
	17702-ZM0-800	TUBE, FUEL.....	-	-	-	-	-	-	1	-	-	-	3039945
	17702-Z8B-801	TUBE, FUEL(FKM).....	-	-	-	-	-	-	1	-	-	3039946	6901760 S1A, S1M, S3A, S3H
	17702-ZM0-800	TUBE, FUEL.....	-	-	-	-	-	-	1	-	-	-	8028729 R3A
	17702-Z8B-801	TUBE, FUEL(FKM).....	-	-	-	-	-	-	-	1	1	-	A1A, A1A/A, A1AF, A2R, A2R/A, A7H1, A7H1/A, BHH, E1A2, N1A, N1A/A, N7A1, N7S1, SBA, SBA/A, SBH, SBH/A, SBL
	17702-Z8B-802	.....	-	-	-	-	-	-	-	-	1	-	A7X1
20	91501-Z0L-800	COLLAR, FUEL COCK.....	-	-	1	-	-	-	1	-	-	-	A1A, A1AF, A1G7, A1UV, A2UA, A3G7, A3HV, A3T9, A4G7, A7Q1, A7Q1/A, BHH, E1A2, N1AF, N1U, N1U/A, N2EE, N2KE, N2U, N3T8, N5AF, N5MF, N5R, NBHT, S4G7, SBHE
			-	-	1	-	-	-	1	-	-	1854820	N1AF, N5AF, N5MF, N5R, N5RB, N5RE
			-	-	1	-	-	-	-	-	-	1851726	A1AW, N1U, N2U
	33609-GK4-620	COLLAR, FR. WINKER.....	-	-	-	1	-	-	-	-	-	-	A3HV, A4EV
			-	-	-	-	1	1	-	-	-	-	A1A, A2A9, A2R, A4A9, A7H1, BHH, N1A, N7A1, N7S1



**E-17**

**FUEL TANK**

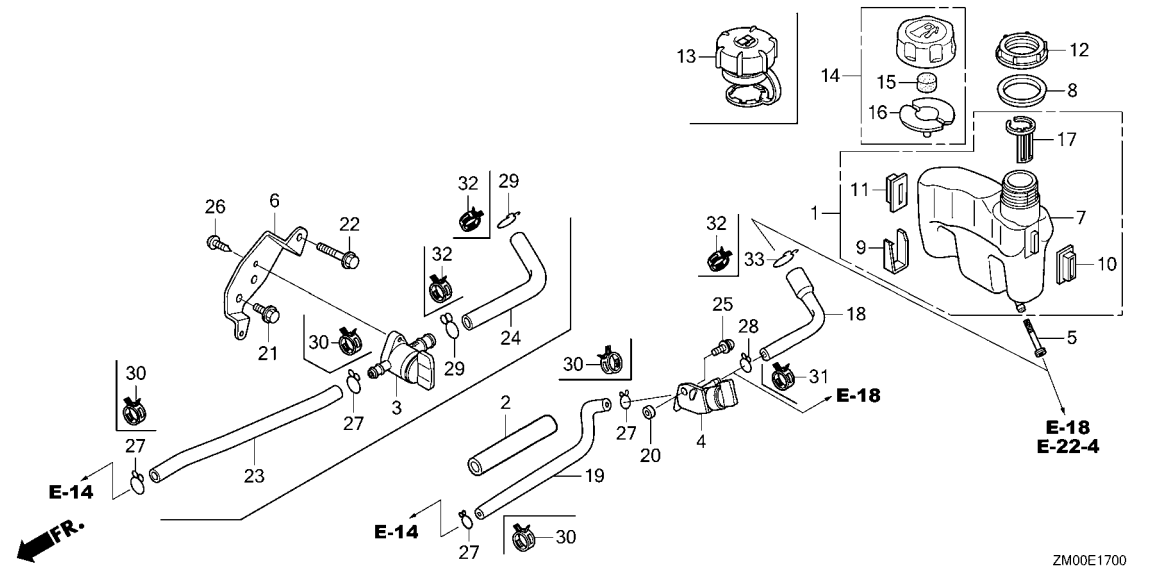
Ref. No.	Part No.	Description	Reqd. QTY										Serial No.	Parts catalogue code	
			GCV 160	GCV 160 A	GCV 160 A0	GCV 160 E	GCV 160 LE	GCV 160 LA	GCV 160 LA0	GCV 160 LA1	GCV 160	GCV 160			
20)	91501-Z0L-800	COLLAR, FUEL COCK .....	-	-	-	-	-	1	-	-	-	-	-	6901760	S1A, S1M, S3A, S3H
			-	-	-	-	-	1	-	-	-	-	-	8028729	R3A
	33609-GK4-620	COLLAR, FR. WINKER .....	-	-	-	-	-	-	1	1	-	-	-	-	A1A, A1A/A, A1AF, A7H1, A7H1/A, A7X1, E1A2, SBA SBA/A, SBH, SBH/A, SBL
			-	-	-	-	-	-	1	-	-	-	-	3189556	BHH
			-	-	-	-	-	-	1	-	-	-	1681924	2509961	A1A
	91501-Z0L-800	COLLAR, FUEL COCK .....	-	-	-	-	-	-	1	-	-	-	-	2509962	A1A
			-	-	-	-	-	-	1	-	-	-	-	3189557	BHH
21	90013-883-000	BOLT, FLANGE, 6X12(CT200) .....	-	-	1	-	-	-	-	1	1	-	-	-	R3A, R3L, R3LE, S1A, S1M, S3A, S3H, S3L, S3LE, S3T S3TE, S4LE, SBT, SBT/A, SBTE
	90014-952-000	BOLT, FLANGE, 6X14(CT200) .....	-	-	1	-	-	-	-	1	1	-	-	-	S3AL, S3B, S3B/A, S3DB, S3HB, S3LB, S3LB/A, S4BB S4GB, S4HB
	90013-883-000	BOLT, FLANGE, 6X12(CT200) .....	-	-	-	-	-	-	1	-	-	-	6901761	-	S1A, S1M, S3A, S3H
			-	-	-	-	-	-	1	-	-	-	8028730	-	R3A
22	90015-883-000	BOLT, FLANGE, 6X28(CT200) .....	-	-	1	-	-	-	-	1	1	-	-	-	R3A, R3L, R3LE, S1A, S1M, S3A, S3H, S3L, S3LE, S3T S3TE, S4LE, SBT, SBT/A, SBTE
	90014-952-000	BOLT, FLANGE, 6X14(CT200) .....	-	-	1	-	-	-	-	1	1	-	-	-	S3AL, S3B, S3B/A, S3DB, S3HB, S3LB, S3LB/A, S4BB S4GB, S4HB
	90015-883-000	BOLT, FLANGE, 6X28(CT200) .....	-	-	-	-	-	-	1	-	-	-	6901761	-	S1A, S1M, S3A, S3H
			-	-	-	-	-	-	1	-	-	-	8028730	-	R3A
23	91424-Z8B-901	TUBE, FUEL, 4.5X110 .....	-	-	1	-	-	-	-	1	-	-	-	-	R3A, R3L, R3LE, S3AL, S3B, S3DB, S3H, S3HB, S3L, S3LB S3LE, S4BB, S4GB, S4HB, S4LE, SBTE
	91424-Z8B-821	TUBE, FUEL, 4.5X110(FKM) .....	-	-	1	-	-	-	-	-	-	-	-	1489859	S3TE
	91424-Z8B-901	TUBE, FUEL, 4.5X110 .....	-	-	1	-	-	-	-	-	-	-	-	1489860	S3TE
	95001-45110-40	TUBE, FUEL, 4.5X110 (95001-45001-60M)	-	-	-	-	-	-	1	-	-	-	6901761	-	S1A, S1M, S3A, S3H
			-	-	-	-	-	-	1	-	-	-	8028730	-	R3A
	91424-Z8B-821	TUBE, FUEL, 4.5X110(FKM) .....	-	-	-	-	-	-	-	1	-	-	-	-	S1A, S1M
			-	-	-	-	-	-	-	1	-	-	2571950	-	R3A, S3A, S3H, S3T, SBT
	91424-Z8B-901	TUBE, FUEL, 4.5X110 .....	-	-	-	-	-	-	-	1	-	-	2571951	-	S3A, S3T, SBT
			-	-	-	-	-	-	-	-	1	-	-	-	S3B, S3B/A, S3LB, S3LB/A, SBT, SBT/A
24	91427-Z8B-901	TUBE, FUEL, 7.3X160 .....	-	-	1	-	-	-	-	1	-	-	-	-	R3L, R3LE, S3AL, S3B, S3DB, S3HB, S3L, S3LB, S3LE S4BB, S4GB, S4HB, S4LE, SBTE
	91427-Z8B-821	TUBE, FUEL, 7.3X160(FKM) .....	-	-	1	-	-	-	-	-	-	-	-	1489859	S3TE
	91427-Z8B-901	TUBE, FUEL, 7.3X160 .....	-	-	1	-	-	-	-	-	-	-	1489860	-	S3TE
	95001-75160-40	TUBE, FUEL, 7.3X160 (95001-75001-60M)	-	-	-	-	-	-	1	-	-	-	6901761	-	S1A, S1M, S3A, S3H
			-	-	-	-	-	-	1	-	-	-	8028730	-	R3A
	91427-Z8B-821	TUBE, FUEL, 7.3X160(FKM) .....	-	-	-	-	-	-	-	1	-	-	-	-	S1A, S1M
			-	-	-	-	-	-	-	1	-	-	2571950	-	R3A, S3A, S3H, S3T, SBT
	91427-Z8B-901	TUBE, FUEL, 7.3X160 .....	-	-	-	-	-	-	-	1	-	-	2571951	-	R3A, S3A, S3H, S3T, SBT
			-	-	-	-	-	-	-	-	1	-	-	-	S3B, S3B/A, S3LB, S3LB/A, SBT, SBT/A
25	93891-05010-08	SCREW-WASHER, 5X10 .....	-	-	1	-	-	-	-	1	-	-	-	1854820	N1AF, N5AF, N5MF, N5R, N5RB, N5RE A1G7, A1UV, A2UA, A3G7, A3HV, A3T9, A4G7, A7Q1 A7Q1/A, N1U, N1U/A, N2EE, N2KE, N2U, N3T8, NBHT, S4G7 SBHE
			-	-	1	-	-	-	-	-	-	-	1851726	-	A1AW, N1U, N2U
			-	-	-	1	-	-	-	-	-	-	-	-	A3HV, A4EV
			-	-	-	-	1	1	-	-	-	-	-	-	A1A, A1AF, A2A9, A2R, A4A9, A7H1, BHH, E1A2, N1A, N1AF N5AF, N5MF, N5R, N7A1, N7S1
			-	-	-	-	-	1	-	-	-	-	6901760	-	S1A, S1M, S3A, S3H
			-	-	-	-	-	1	-	-	-	-	8028729	-	R3A
			-	-	-	-	-	-	1	1	-	-	-	-	A1A, A1A/A, A1AF, A2R, A2R/A, A7H1, A7H1/A, A7X1, BHH E1A2, N1A, N1A/A, N7A1, N7S1, SBA, SBA/A, SBH, SBH/A SBL





# E-17

# FUEL TANK



Ref. No.	Part No.	Description	Reqd. QTY									Serial No.	Parts catalogue code
			GCV 160	GCV 160 A	GCV 160 A0	GCV 160 E	GCV 160 LE	GCV 160 LA	GCV 160 LA0	GCV 160 LA1			
26	93913-25220	SCREW, TAPPING, 5X12(PO).....	-	-	1	-	-	-	1	1	-----	R3A, R3L, R3LE, S1A, S1M, S3A, S3AL, S3B, S3B/A, S3DB, S3H, S3HB, S3L, S3LB, S3LB/A, S3LE, S3T, S3TE, S4BB, S4GB, S4HB, S4LE, SBT, SBT/A, SBTE	
											6901761 ----- S1A, S1M, S3A, S3H		
											8028730 ----- R3A		
27	95002-02080	CLIP, TUBE(B8).....	-	-	2	-	-	2	-	-	----- A1A, A1AF, A1G7, A1UV, A2R, A2UA, A3G7, A3HV, A3T9, A4G7, BHH, E1A2, N1A, N1AF, N1U/A, N2EE, N2KE, N3T8, N5AF, N5MF, N5R, N7A1, N7S1, NBHT, R3A, S1A, S1M, S3A, S3H, S4G7		
	95002-50000	CLIP, TUBE(C9).....	-	-	2	-	-	2	-	-	----- R3A, R3L, R3LE, S3AL, S3B, S3DB, S3H, S3HB, S3L, S3LB, S3LE, S4BB, S4GB, S4HB, S4LE, SBTE		
											1489860 ----- S3TE		
	95002-02080	CLIP, TUBE(B8).....	-	-	2	-	-	-	-	-	1851726 ----- N1U, N2U		
											----- 3039945		
	95002-50000	CLIP, TUBE(C9).....	-	-	-	-	-	-	2	-	2571951 ----- S3A, S3T, SBT		
											----- S3B, S3B/A, S3LB, S3LB/A, SBT, SBT/A		
28	95002-02100	CLIP, TUBE(B10).....	-	-	1	-	-	1	-	-	----- A1A, A1AF, A1G7, A1UV, A2R, A2UA, A3G7, A3HV, A3T9, A4G7, BHH, E1A2, N1A, N1AF, N1U/A, N2EE, N2KE, N3T8, N5AF, N5MF, N5R, NBHT, S4G7		
											1851726 ----- A1AW, N1U, N2U		
											----- 3039945 A2A9, A4A9		
											----- 6901760 S1A, S1M, S3A, S3H		
											----- 8028729 R3A		
29	95002-02130	CLIP, TUBE(B12.5).....	-	-	2	-	-	2	-	-	----- R3L, R3LE, S3AL, S3B, S3DB, S3HB, S3L, S3LB, S3LE, S4BB, S4GB, S4HB, S4LE, SBTE		
											1489860 ----- S3TE		
	95002-02120	CLIP, TUBE(B12).....	-	-	-	-	-	2	-	-	6901761 ----- S1A, S1M, S3A, S3H		
											8028730 ----- R3A		

ZM00E1700



**E-17**

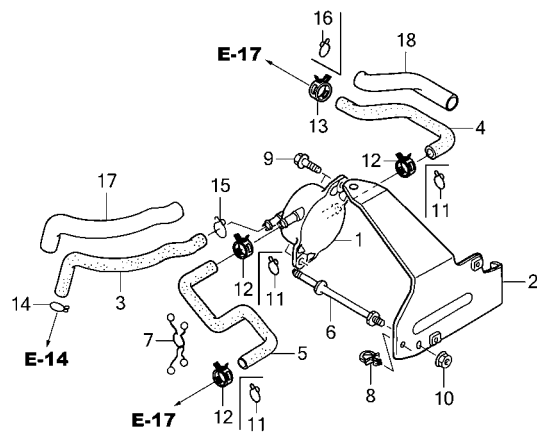
**FUEL TANK**

Ref. No.	Part No.	Description	Reqd. QTY								Serial No.	Parts catalogue code
			GCV 160	GCV 160 A	GCV 160 A0	GCV 160 E	GCV 160 LE	GCV 160 LA	GCV 160 LA0	GCV 160 LA1		
29)	95002-02130	CLIP, TUBE(B12.5).....	-	-	-	-	-	-	2	-	2571951	----- R3A, S3A, S3H, S3T, SBT ----- S3B, S3B/A, S3LB, S3LB/A, SBT, SBT/A
30	95002-40800-08	CLAMP, TUBE(D8).....	-	-	2	-	-	-	2	-	1854820	----- N1AF, N5AF, N5MF, N5R, N5RB, N5RE ----- A7Q1, A7Q1/A, SBHE
			-	-	2	-	-	-	-	-	1489859	----- S3TE
			-	-	2	-	-	-	-	-	1851726	----- A1AW
			-	-	-	2	-	-	-	-	-----	A3HV, A4EV
			-	-	-	-	2	-	-	-	3039946	-----
			-	-	-	-	-	-	2	2	-----	A1A, A1A/A, A1AF, A2R, A2R/A, A7H1, A7H1/A, A7X1, BHH E1A2, N1A, N1A/A, N7A1, N7S1, S1A, S1M, SBA, SBA/A SBH, SBH/A, SBL
			-	-	-	-	-	-	2	-	2571950	----- R3A, S3A, S3H, S3T, SBT
31	95002-41000-08	CLAMP, TUBE(D10).....	-	-	1	-	-	-	1	-	1854820	----- N1AF, N5AF, N5MF, N5R, N5RB, N5RE ----- SBHE
			-	-	1	-	-	-	-	-	1851726	----- A1AW
			-	-	-	1	-	-	-	-	-----	A3HV, A4EV
			-	-	-	-	1	-	-	-	3039946	----- A2A9, A4A9
			-	-	-	-	-	-	1	1	-----	A1A, A1A/A, A1AF, A2R, A2R/A, BHH, E1A2, N1A, N1A/A SBA, SBA/A, SBH, SBH/A, SBL
32	95002-41200-08	CLAMP, TUBE(D12).....	-	-	1	-	-	-	1	-	1854820	----- N1AF, N5AF, N5MF, N5R, N5RB, N5RE ----- SBHE
			-	-	1	-	-	-	-	-	-----	1489859 S3TE
			-	-	-	1	-	-	-	-	-----	A3HV, A4EV
			-	-	-	-	1	-	-	-	3039946	----- A2A9, A4A9
			-	-	-	-	-	-	1	-	-----	A1A, A1AF, A2R, BHH, E1A2, N1A, SBA, SBH, SBL
			-	-	-	-	-	-	2	-	-----	S1A, S1M
			-	-	-	-	-	-	2	-	2571950	----- R3A, S3A, S3H, S3T, SBT
			-	-	-	-	-	-	-	1	-----	A1A, A1A/A, A2R, A2R/A, N1A, N1A/A, SBA, SBA/A, SBH SBH/A
33	95002-70000	CLIP, TUBE(C11).....	-	-	1	-	-	1	-	-	-----	A1A, A1AF, A1G7, A1UV, A2R, A2UA, A3G7, A3HV, A3T9 A4G7, BHH, E1A2, N1A, N1AF, N1U/A, N2EE, N2KE, N3T8 N5AF, N5MF, N5R, NBHT, S4G7
			-	-	1	-	-	-	-	-	1851726	----- A1AW, N1U, N2U
			-	-	-	-	1	-	-	-	3039945	----- A2A9, A4A9
			-	-	-	-	-	1	-	-	6901760	----- S1A, S1M, S3A, S3H
			-	-	-	-	-	1	-	-	8028729	----- R3A



E-18

FUEL PUMP



FR.

ZM00E1800

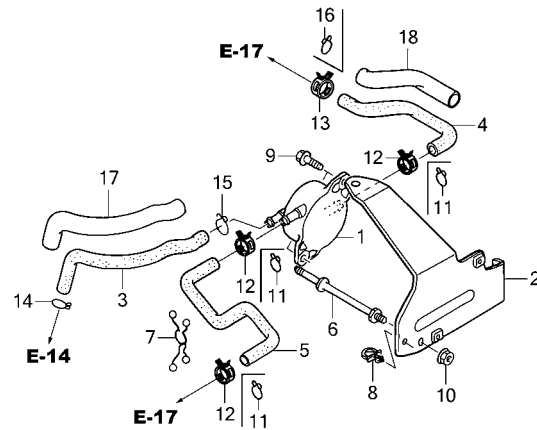
Ref. No. L.O.N. (Relative ref. Number) Description F.R.T.

Ref. No.	Part No.	Description	Reqd. QTY							Serial No.	Parts catalogue code		
			GCV 160	GCV 160 A	GCV 160 A0	GCV 160 E	GCV 160 LE	GCV 160 LA	GCV 160 LA0			GCV 160 LA1	
1	16700-Z0M-782	PUMP ASSY., FUEL.....	-	-	1	-	1	1	1	1	-----	-----	A7H1, A7H1/A, A7Q1, A7Q1/A, A7X1, N7A1, N7S1
2	16711-Z0L-781	STAY, FUEL PUMP.....	-	-	1	-	1	1	1	1	-----	-----	A7H1, A7H1/A, A7Q1, A7Q1/A, A7X1, N7A1, N7S1
3	16882-Z0L-780	TUBE, DIAPHRAGM.....	-	-	1	-	1	1	1	1	-----	-----	A7H1, A7H1/A, A7Q1, A7Q1/A, A7X1, N7A1, N7S1
4	17701-Z8B-801	TUBE, FUEL TANK(FKM).....	-	-	1	-	-	-	1	1	-----	-----	A7H1, A7H1/A, A7Q1, A7Q1/A, N7A1, N7S1
	17701-Z0L-780	TUBE, FUEL TANK.....	-	-	-	-	1	-	-	-	-----	3039945	A7H1, N7A1
	17701-Z8B-801	TUBE, FUEL TANK(FKM).....	-	-	-	-	1	-	-	-	-----	3039946	A7H1, N7A1
	17701-Z0L-780	TUBE, FUEL TANK.....	-	-	-	-	-	1	-	-	-----	-----	N7A1, N7S1
	17701-Z8B-803	TUBE, FUEL TANK(FKM).....	-	-	-	-	-	-	-	1	-----	-----	A7X1
5	17703-Z8B-801	TUBE B, FUEL(FKM).....	-	-	1	-	-	-	1	1	-----	-----	A7H1, A7H1/A, A7Q1, A7Q1/A, N7A1, N7S1
	17703-Z0L-790	TUBE B, FUEL.....	-	-	-	-	1	-	-	-	-----	3039945	A7H1, N7A1
	17703-Z8B-801	TUBE B, FUEL(FKM).....	-	-	-	-	1	-	-	-	-----	3039946	A7H1, N7A1
	17703-Z0L-790	TUBE B, FUEL.....	-	-	-	-	-	1	-	-	-----	-----	N7A1, N7S1
	17703-Z8B-803	TUBE B, FUEL(FKM).....	-	-	-	-	-	-	-	1	-----	-----	A7X1
6	90041-Z0M-780	BOLT, STUD.....	-	-	1	-	1	1	1	1	-----	-----	A7H1, A7H1/A, A7Q1, A7Q1/A, A7X1, N7A1, N7S1
7	90601-Z0M-003	CLIP, PURSE LOCK.....	-	-	1	-	1	1	1	1	-----	-----	A7H1, A7H1/A, A7Q1, A7Q1/A, A7X1, N7A1, N7S1
8	90659-680-013	CLIP, WIRE HARNESS.....	-	-	1	-	1	1	1	1	-----	-----	A7H1, A7H1/A, A7Q1, A7Q1/A, A7X1, N7A1, N7S1
9	93894-05014-00	SCREW-WASHER, 5X14.....	-	-	2	-	2	2	2	2	-----	-----	A7H1, A7H1/A, A7Q1, A7Q1/A, A7X1, N7A1, N7S1
10	94050-06000	NUT, FLANGE, 6MM.....	-	-	1	-	1	1	1	1	-----	-----	A7H1, A7H1/A, A7Q1, A7Q1/A, A7X1, N7A1, N7S1
11	95002-02100	CLIP, TUBE(B10).....	-	-	-	-	3	-	-	-	-----	3039945	A7H1, N7A1
			-	-	-	-	-	3	-	-	-----	-----	N7A1, N7S1
12	95002-41000-08	CLAMP, TUBE(D10).....	-	-	3	-	-	-	3	3	-----	-----	A7H1, A7H1/A, A7Q1, A7Q1/A, A7X1, N7A1, N7S1
			-	-	-	-	3	-	-	-	-----	3039946	A7H1, N7A1
13	95002-41200-08	CLAMP, TUBE(D12).....	-	-	1	-	-	-	1	1	-----	-----	A7H1, A7H1/A, A7Q1, A7Q1/A, A7X1, N7A1, N7S1
			-	-	-	-	1	-	-	-	-----	3039946	A7H1, N7A1
14	95002-45000	CLIP, TUBE(C8).....	-	-	1	-	1	1	1	1	-----	-----	A7H1, A7H1/A, A7Q1, A7Q1/A, A7X1, N7A1, N7S1
15	95002-50000	CLIP, TUBE(C9).....	-	-	1	-	1	1	1	1	-----	-----	A7H1, A7H1/A, A7Q1, A7Q1/A, A7X1, N7A1, N7S1



# E-18

# FUEL PUMP



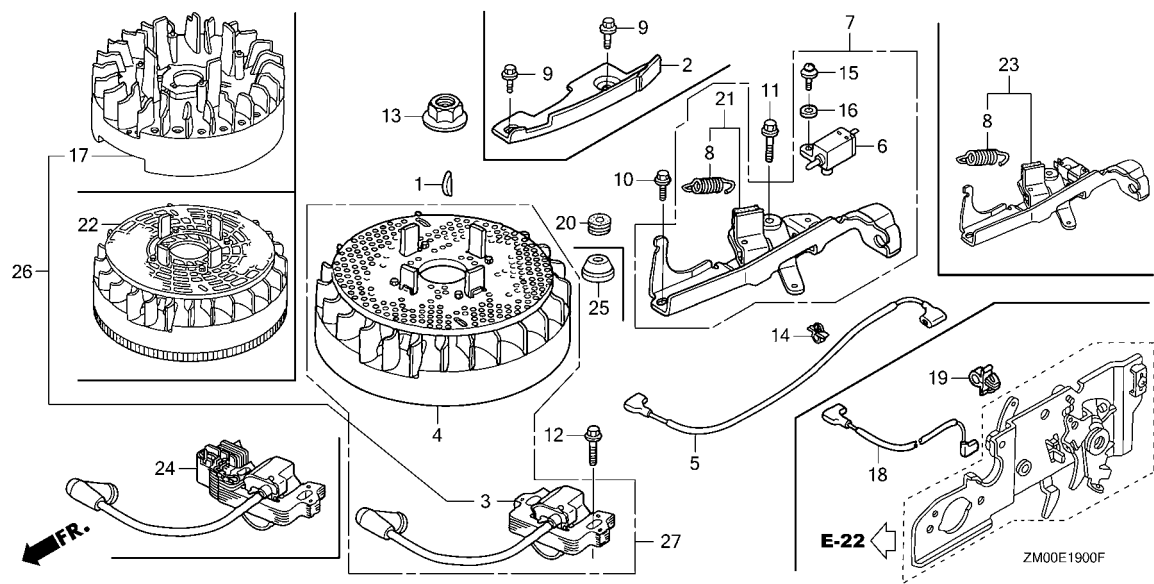
ZM00E1800



Ref. No.	Part No.	Description	Reqd. QTY									Serial No.	Parts catalogue code
			GCV 160	GCV 160 A	GCV 160 A0	GCV 160 E	GCV 160 LE	GCV 160 LA	GCV 160 LA0	GCV 160 LA1			
16	95002-70000	CLIP, TUBE(C11).....	-	-	-	-	1	-	-	-	-	3039945	A7H1,N7A1 N7A1,N7S1
17	95003-25019-20	TUBE, VINYL, 9X11X190 (95003-25001-10M)	-	-	1	-	-	-	-	1	-	-	A7H1,A7H1/A,A7Q1/A,A7X1
	95003-25021-20	TUBE, VINYL, 9X11X210(95003-25001-10M)	-	-	1	-	-	-	-	-	-	2094866	A7Q1
	95003-25019-20	TUBE, VINYL, 9X11X190 (95003-25001-10M)	-	-	1	-	-	-	-	-	-	2094867	A7Q1
	95003-25021-20	TUBE, VINYL, 9X11X210(95003-25001-10M)	-	-	-	-	1	1	-	-	-	-	A7H1,N7A1,N7S1 N7A1
			-	-	-	-	-	-	1	-	-	4124719	A7H1,N7S1
	95003-25019-20	TUBE, VINYL, 9X11X190 (95003-25001-10M)	-	-	-	-	-	-	1	-	-	4124720	A7H1,N7S1
18	95003-43009-20	TUBE, VINYL, 13X15X90 (95003-43001-10M)	-	-	1	-	1	1	1	1	1	-	A7H1,A7H1/A,A7Q1,A7Q1/A,A7X1,N7A1,N7S1

# E-19

# FLYWHEEL(1)



Ref. L.O.N. (Relative ref. Number) F.R.T.  
 No. Description

Ref. No.	Part No.	Description	Reqd. QTY									Serial No.	Parts catalogue code
			GCV 160	GCV 160 A	GCV 160 A0	GCV 160 E	GCV 160 LE	GCV 160 LA	GCV 160 LA0	GCV 160 LA1			
1	13331-357-000	KEY, SPECIAL WOODRUFF, 25X18	1	1	-	-	1	-	-	-	-	-	A1A, A1AE, A1AF, A1AS, A1AW, A1C, A1E, A1E7, A1E8, A1G7, A1J, A1M, A1P, A1U, A1W2, A1W7, A2A, A2A9, A2C, A2E, A2E4, A2E7, A2E8, A2E9, A2G7, A2R, A2U, A3A, A3E, A4A9, A4E, A7E1, A7H1, BHH, BHH1, C1E, C1E1, C2E, C2E1, C3E, C3E1, C4E, C4E1, E1A2, E1A4, E1G7, E2G7, E5A4, EHHB, N1, N1A, N1AF, N1C, N1D, N1E1, N1E2, N1E7, N1J1, N1L, N1R, N1U, N1W, N1W1, N1W2, N1W7, N1W8, N1W9, N2, N2D, N2E, N2E1, N2E2, N2E3, N2E7, N2E8, N2E9, N2U, N3V, N5A, N5AF, N5C, N5MF, N5R, N7A1, N7S1, R1A, R3A, R3A1, RTL1, S1A, S1A1, S1M, S2G7, S3A, S3A2, S3H, S3H2, STA1
	13331-Z8B-900	.....	-	-	1	-	-	-	1	-	-	-	A1G7, A1UV, A2UA, A3G7, A3HV, A3T9, A4G4, A4G7, A7H1, A7Q1, A7Q1/A, N1U/A, R3L, R3LE, S3L, S3LE, S4G7, S4LE
	13331-357-000	.....	-	-	1	-	-	-	-	-	-	-	A1E7, A1M, A2E7, C1E, C1E1, C2E, C2E1, C3E, C3E1, C4E, C4E1, E2G7, N1R, N3U, N3V, S2G7
			-	-	1	-	-	-	-	-	-	1886100	S3H2
			-	-	1	-	-	-	-	-	-	1892735	N2U
			-	-	1	-	-	-	-	-	-	2036010	A1AW, N1U
	13331-Z8B-900	.....	-	-	1	-	-	-	-	-	-	1886101	S3H2
			-	-	1	-	-	-	-	-	-	1892736	N2U
			-	-	1	-	-	-	-	-	-	2036011	A1AW, N1U
	13331-357-000	.....	-	-	-	1	-	-	-	-	-	-	A1A, A1AF, E1A2, N7A1, N7S1, R3A, S1A, S1M, S3A, S3H
			-	-	-	-	-	1	-	-	-	6702082	A2R, BHH, N1A, N1AF, N5AF, N5MF, N5R
			-	-	-	-	-	-	1	-	-	-	A1AF, E1A2, N7A1, S1A, S1M
			-	-	-	-	-	-	-	1	-	3540037	R3A, S3A, S3H
			-	-	-	-	-	-	-	1	-	3688985	N7S1
			-	-	-	-	-	-	-	1	-	3882821	A1A

2

**E-19**

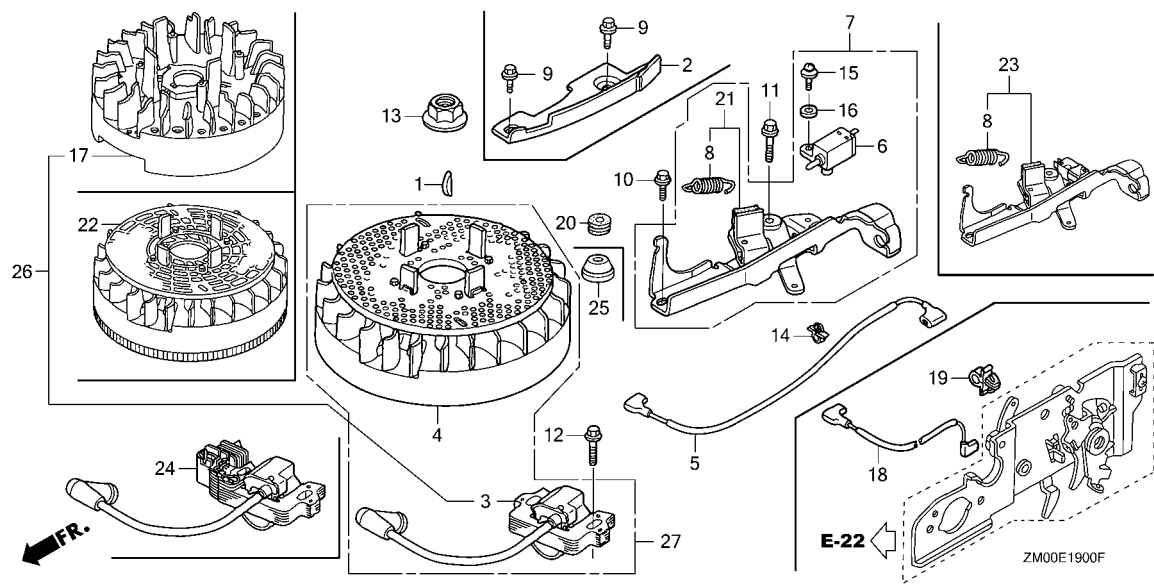
**FLYWHEEL(1)**

Ref. No.	Part No.	Description	Reqd. QTY										Serial No.	Parts catalogue code
			GCV 160	GCV 160 A	GCV 160 A0	GCV 160 E	GCV 160 LE	GCV 160 LA	GCV 160 LA0	GCV 160 LA1				
(1)	13331-Z8B-900	KEY, SPECIAL WOODRUFF, 25X18	-	-	-	-	-	-	-	-	1	-	3540038	----- R3A, S3A, S3H
			-	-	-	-	-	-	-	-	1	-	3688986	----- N7S1
			-	-	-	-	-	-	-	-	1	-	3882822	----- A1A
			-	-	-	-	-	-	-	-	1	-		----- A1A, A1A/A, A7H1, A7H1/A, A7X1
2	19612-ZM0-J20	PLATE, SIDE	1	-	-	-	-	-	-	-	-	-		----- N1E1, N1E2, N1E7, N1J1, N1R, N1W, N1W1, N1W2, N1W7 N1W8, N1W9, N2E, N2E1, N2E2, N2E3, N2E7, N2E8, N2E9 N7A1
	19612-ZM0-000	.....	1	-	-	-	-	-	-	-	-	-		----- N2D
	19612-ZM0-J20	.....	1	-	-	-	-	-	-	-	-	-	2340423	----- A2R, N1D, N1U, N2U, N3U, N3V
			-	1	-	-	-	-	-	-	-	-	2340424	----- A2R, N1D, N1U, N2U, N3U, N3V
			-	-	-	-	-	-	-	-	-	-		----- BHH1
	19612-Z0L-000	.....	-	1	-	-	-	-	-	-	-	-		----- EHHB, N5MF, N5R
	19612-ZM0-000	.....	-	1	-	-	-	-	-	-	-	-	1360691	----- A2R, N1A, N1C, N1U, N2U, N3V, N5A, N5C
	19612-ZM0-J20	.....	-	1	-	-	-	-	-	-	-	-	5008780	----- BHH, N1AF, N1E1, N1E7, N1L, N1R, N1W7, N1W8, N1W9 N2E7, N2E8, N2E9, N3U, N5AF, N7A1, N7S1
			-	1	-	-	-	-	-	-	-	-	1360692	----- A2R, N1A, N1C, N1U, N2U, N3V, N5A, N5C
	19612-Z0L-000	.....	-	1	-	-	-	-	-	-	-	-	5008781	----- A2R, BHH, N1A, N1AF, N1C, N1E1, N1E7, N1L, N1R, N1U N1W7, N1W8, N1W9, N2E7, N2E8, N2E9, N2U, N3U, N3V, N5A N5AF, N5C, N7A1, N7S1
			-	-	1	-	-	1	1	-	-	-		----- N1R, N1U, N1U/A, N2U, N3U, N3V, N7A1, N7S1
	19612-ZM0-J20	.....	-	-	-	1	-	-	-	-	-	-		----- A2R, N1D, N1E1, N1E2, N1E7, N1R, N1T8, N1W8, N1W9 N2E9, N3T9, N7A1
			-	-	-	-	1	-	-	-	-	-		----- N2EE
	19612-Z1L-000	.....	-	-	-	-	1	-	-	-	-	-	3000888	----- N1J1, N1T9, N1W7, N2E7, N2E8, N3T8, N3W8, N3W9
	19612-ZM0-J20	.....	-	-	-	-	1	-	-	-	-	-	3000888	----- S1G4
	19612-Z0L-000	.....	-	-	-	-	1	-	-	-	-	-	2739577	----- 3000888 N1J1, N1T9, N1W7, N2E7, N2E8, N3T8, N3W8, N3W9
	19612-Z1L-000	.....	-	-	-	-	1	-	-	-	-	-	3000889	----- N1J1, N1T9, N1W7, N2E7, N2E8, N3T8, N3W8, N3W9, S1G4
	19612-ZM0-J20	.....	-	-	-	-	-	1	-	-	-	-	3000888	----- N7A1
	19612-Z1L-000	.....	-	-	-	-	-	1	-	-	-	-	3000889	----- N7A1
3	30500-ZL8-004	COIL ASSY., IGNITION(TEC) (USE FOR F/W OF TEC)	1	-	-	-	-	-	-	-	-	-		-----
	30500-ZL8-014	.....	-	1	-	-	-	-	-	-	-	-		----- A1AW
	30500-Z0J-003	COIL ASSY., IGNITION(PHELON) (USE FOR F/W OF PHELON)	-	1	-	-	-	-	-	-	-	-		----- A2R, BHH, BHH1, E1A2, E1A4, E1G7, E2G7, E5A4, EHHB N1A, N1AF, N1C, N1E1, N1E7, N1L, N1W7, N1W8, N1W9 N2E7, N2E8, N2E9, N5A, N5AF, N5C, N5MF, N5R, R1A, R3A R3A1, RTL1
			-	1	-	-	-	-	-	-	-	-	3092797	----- A1A, A1AE, A1AF, A1AS, A1C, A1E, A1E7, A1E8, A1W7, A2A A2C, A2E7, A2E8, A2E9, A2G7, A3A, A3E, A7E1, N1R, N1U N2U, N3U, N3V, N7A1, S1A, S1A1, S3A, STA1
	30500-ZL8-004	COIL ASSY., IGNITION(TEC) (USE FOR F/W OF TEC)	-	1	-	-	-	-	-	-	-	-	6102260	----- A1M, N7S1, S1M, S2G7, S3A2, S3H, S3H2
			-	1	-	-	-	-	-	-	-	-	3092798	----- A1C, A1E, A1E8, A1W7, A2A, A2C, A2E8, A2E9, A2G7, A3A A3E, A7E1, N3V, S1A1, STA1
			-	1	-	-	-	-	-	-	-	-	3092798	----- 6102260 A1A, A1AE, A1AF, A1AS, A1E7, A2E7, N1R, N1U, N2U, N3U N7A1, S1A, S3A
	30500-ZL8-014	.....	-	1	-	-	-	-	-	-	-	-	6102261	----- A1A, A1AE, A1AF, A1AS, A1E7, A1M, A2E7, N1R, N1U, N2U N3U, N7A1, N7S1, S1A, S1M, S2G7, S3A, S3A2, S3H, S3H2
	30500-Z0J-003	COIL ASSY., IGNITION(PHELON) (USE FOR F/W OF PHELON)	-	-	1	-	-	1	-	-	-	-		----- E1A2, E2G7, R3A
	30500-Z8B-903	COIL ASSY., IGNITION(FENIX)	-	-	1	-	-	-	1	1	-	-		----- A1A, A1A/A, A1G7, A1UV, A2UA, A3G7, A3HV, A3T9, A4G7 A7H1, A7H1/A, A7Q1, A7Q1/A, A7X1, N1U, N1U/A, N2U S4G7
	30500-Z8B-902	COIL ASSY., IGNITION(FENGLONG)	-	-	1	-	-	-	1	1	-	-		----- A1A, A1A/A, A1G7, A1UV, A2UA, A3G7, A3HV, A3T9, A4G7 A7H1, A7H1/A, A7Q1, A7Q1/A, N1U, N1U/A, N2U, R3A, R3L S4G7



E-19

FLYWHEEL(1)



Ref. No.	Part No.	Description	Reqd. QTY									Serial No.	Parts catalogue code
			GCV 160	GCV 160 A	GCV 160 A0	GCV 160 E	GCV 160 LE	GCV 160 LA	GCV 160 LA0	GCV 160 LA1			
(3)	30500-ZL8-014	COIL ASSY., IGNITION(TEC) (USE FOR F/W OF TEC)	-	-	1	-	-	-	-	-	-	-	A1AW, A1E7, A1M, A2E7, A4G4, N1R, N3U, N3V, R3LE, S2G7, S3H2, S3LE, S4LE
	30500-ZL8-004	.....	-	-	-	1	-	-	-	-	-	-	A2A9
	30500-ZL8-014	.....	-	-	-	1	-	-	-	-	-	-	A3G9, A3HV, A4EV, A4G4, A4G7, A4G9, A7Q1, N2EE, S1G4, S2E2, S3E9, S3G9, S4E4, S4E9, S4G4, S4G9, S4H4
	30500-ZL8-004	.....	-	-	-	1	-	-	-	-	2250209	-	A1E7, A1E8, A1G7, A1G9, A1P, A1W7, A2E7, A2E8, A2E9, A2G4, A2G7, A2G9, A2R, A3E7, A3E9, A3T9, A3W7, A3W8, A7E1, N1D, N1E1, N1E2, N1E7, N1J1, N1R, N1T8, N1T9, N1W7, N1W8, N1W9, N2E7, N2E8, N2E9, N3T8, N3T9, N3W8, N3W9, N7A1, S1E1, S2E, S2E1, S2E3
	30500-ZL8-014	.....	-	-	-	1	-	-	-	-	2250210	-	A1E7, A1E8, A1G7, A1G9, A1P, A1W7, A2E7, A2E8, A2E9, A2G4, A2G7, A2G9, A2R, A3E7, A3E9, A3T9, A3W7, A3W8, A7E1, N1D, N1E1, N1E2, N1E7, N1J1, N1R, N1T8, N1T9, N1W7, N1W8, N1W9, N2E7, N2E8, N2E9, N3T8, N3T9, N3W8, N3W9, N7A1, S1E1, S2E, S2E1, S2E3
	30500-ZL8-004	.....	-	-	-	-	1	-	-	-	-	-	A4A9, A7H1, N7A1
	30500-ZL8-014	.....	-	-	-	-	1	-	-	-	2250210	-	A2A9, N7A1
	30500-ZL8-004	.....	-	-	-	-	-	1	-	-	-	-	A2A9, N7A1
	30500-Z0J-003	COIL ASSY., IGNITION(PHELON) (USE FOR F/W OF PHELON)	-	-	-	-	-	-	1	-	-	-	A1A, A1AF, N7A1, N7S1, S1A, S1M, S3A, S3H
	30500-ZL8-014	COIL ASSY., IGNITION(TEC) (USE FOR F/W OF TEC)	-	-	-	-	-	(1)	-	-	-	-	6702082 A2R, BHH, N1A, N1AF, N5AF, N5MF, N5R
	30500-Z8B-901	COIL ASSY., IGNITION(PHELON) ·	-	-	-	-	-	-	-	1	-	-	6702082 A2R, BHH, N1A, N1AF, N5AF, N5MF, N5R
4	31105-ZL8-000	FLYWHEEL ASSY.(TEC) (USE FOR IGN. COIL OF TEC)	1	-	-	1	-	-	-	-	-	-	A1AF, E1A2, N7A1, N7S1, S1A, S1M, S3A, S3H, S3L, R3A, R3L

# E-19

# FLYWHEEL(1)

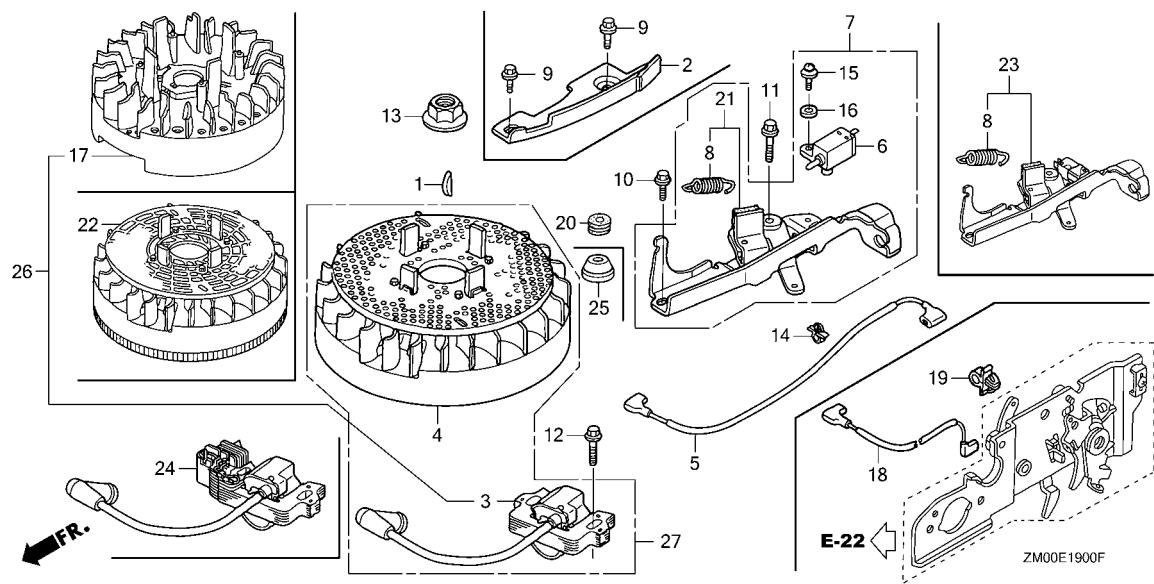
Ref. No.	Part No.	Description	Reqd. QTY									Serial No.	Parts catalogue code
			GCV 160	GCV 160 A	GCV 160 A0	GCV 160 E	GCV 160 LE	GCV 160 LA	GCV 160 LA0	GCV 160 LA1			
(4)	31105-ZM0-000	FLYWHEEL ASSY.(TEC) (USE FOR IGN. COIL OF TEC)	1	-	-	-	-	-	-	-	-	-	A1A, A1C, A1E, A1E7, A1E8, A1G7, A1J, A1P, A1U, A1W2, A1W7, A2A, A2C, A2E, A2E4, A2E7, A2E8, A2E9, A2G7, A2U, A3E, A4E, A7E1, N1, N1D, N1J1, N1R, N1U, N2, N2D, N2U, N3U, N3V, N7A1
	31105-Z0J-010	FLYWHEEL ASSY.(PHELON) (USE FOR IGN. COIL OF PHELON)	-	1	-	-	-	-	-	-	-	-	A1AW, A1M, N7S1, S1M, S2G7, S3A2, S3H, S3H2
	31105-Z0L-010	.....	-	1	-	-	-	-	-	-	-	3092797	BHH, BHH1, N1W7, N1W8, N1W9
	31105-ZM0-000	FLYWHEEL ASSY.(TEC) (USE FOR IGN. COIL OF TEC)	-	1	-	-	-	-	-	-	-	3092798	A1A, A1AE, A1AF, A1AS, A1C, A1E, A1E7, A1E8, A1W7, A2A, A2C, A2E7, A2E8, A2E9, A2G7, A3A, A3E, A7E1, N1R, N1U, N2U, N3U, N3V, N7A1, S1A, S1A1, S3A, STA1
	31105-Z0J-010	FLYWHEEL ASSY.(PHELON) (USE FOR IGN. COIL OF PHELON)	-	-	1	1	1	1	1	1	1	-	A1A, A1A/A, A1AF, A1AW, A1E7, A1E8, A1G7, A1G9, A1M, A1P, A1UV, A1W7, A2A9, A2E7, A2E8, A2E9, A2G4, A2G7, A2G9, A2UA, A3E7, A3E9, A3G7, A3G9, A3HV, A3T9, A3W7, A3W8, A4A9, A4EV, A4G4, A4G7, A4G9, A7E1, A7H1, A7H1/A, A7Q1, A7Q1/A, A7X1, N1D, N1J1, N1R, N1U, N1U/A, N2U, N3U, N3V, N7A1, N7S1, S1A, S1E1, S1M, S2E, S2E1, S2E2, S2E3, S2G7, S3A, S3E9, S3G9, S3H, S3H2, S3L, S3LE, S4E4, S4E9, S4G4, S4G7, S4G9, S4H4, S4LE
	31105-ZL8-000	FLYWHEEL ASSY.(TEC) (USE FOR IGN. COIL OF TEC)	-	-	-	-	-	(1)	-	-	-	6702082	BHH
5	32195-ZM0-800	CORD, STOP SWITCH.....	1	1	1	-	-	-	-	-	-	-	A2R, N1C, N5A, N5C, S1A, S1A1, S3A, S3H2, STA1
	32195-ZM0-000	.....	1	-	-	-	1	-	-	-	-	-	A1A, A1C, A1E, A1E7, A1E8, A1G7, A1J, A1P, A1U, A1W2, A1W7, A2A, A2A9, A2C, A2E, A2E4, A2E7, A2E8, A2E9, A2G7, A2U, A3E, A4A9, A4E, A7E1, A7H1, N1, N2
	32195-Z0L-000	.....	-	1	1	-	-	-	-	-	-	-	A1AE, A1AF, A1AS, A1AW, A1C, A1E, A1E7, A1E8, A1G7, A1M, A1UV, A1W7, A2C, A2E7, A2E8, A2E9, A2G7, A2UA, A3A, A3E, A3G7, A3HV, A3T9, A4G4, A4G7, A7E1, A7Q1, A7Q1/A, S1M, S2G7, S3A2, S3H, S3LE, S4G7, S4LE
	32195-ZM0-000	.....	-	1	-	-	-	-	-	-	-	-	A1A
	32195-ZM0-800	.....	-	-	-	1	-	1	1	-	-	-	S1A, S1E1, S2E, S2E1, S3A
	32195-ZM0-000	.....	-	-	-	1	-	-	-	-	-	-	A1E7, A1E8, A1G7, A1G9, A1P, A1W7, A2A9, A2E7, A2E8, A2E9, A2G4, A2G7, A2G9, A3E7, A3E9, A3G9, A3HV, A3T9, A3W7, A3W8, A4EV, A4G4, A4G7, A4G9, A7E1, A7Q1, S2E2, S2E3, S3E9, S3G9, S4E4, S4E9, S4G4, S4G9, S4H4
	32195-Z0L-000	.....	-	-	-	-	-	1	1	1	-	-	A1A, A1A/A, A1AF, A7H1, A7H1/A, A7X1, S1M, S3H, S3L
6	35120-ZM0-003	SWITCH ASSY., ENGINE STOP(N.C)	1	1	1	1	1	1	1	1	1	-	A1A, A1A/A, A1AE, A1AF, A1AS, A1AW, A1C, A1E, A1E7, A1E8, A1G7, A1G9, A1J, A1M, A1P, A1U, A1UV, A1W2, A1W7, A2A, A2A9, A2C, A2E, A2E4, A2E7, A2E8, A2E9, A2G4, A2G7, A2G9, A2U, A2UA, A3A, A3E, A3E7, A3E9, A3G7, A3G9, A3HV, A3T9, A3W7, A3W8, A4A9, A4E, A4EV, A4G4, A4G7, A4G9, A7E1, A7H1, A7H1/A, A7Q1, A7Q1/A, A7X1, N1, N2, S1A, S1A1, S1E1, S1M, S2E, S2E1, S2E2, S2E3, S2G7, S3A, S3A2, S3E9, S3G9, S3H, S3H2, S3L, S3LE, S4E4, S4E9, S4G4, S4G7, S4G9, S4H4, S4LE, STA1





# E-19

# FLYWHEEL(1)



Ref. No.	Part No.	Description	Reqd. QTY									Serial No.	Parts catalogue code
			GCV 160	GCV 160 A	GCV 160 A0	GCV 160 E	GCV 160 LE	GCV 160 LA	GCV 160 LA0	GCV 160 LA1			
7	75100-ZM0-000	BRAKE ASSY.....	1	-	-	-	-	-	-	-	-	-	A1A, A1C, A1E, A1E7, A1E8, A1G7, A1J, A1P, A1U, A1W2, A1W7, A2A, A2C, A2E, A2E4, A2E7, A2E8, A2E9, A2G7, A2U, A3E, A4E, A7E1, N1, N2
			-	1	-	-	-	-	-	-	-	-	A1A, A1AE, A1AF, A1AS, A1C, A1E, A1E8, A1W7, A2A, A2C, A2E8, A2E9, A2G7, A3A, A3E, A7E1, S1M, S3A2, S3H
			-	1	-	-	-	-	-	-	-	-	7132770 A1E7, A1M, A2E7, S2G7
			-	1	-	-	-	-	-	-	-	-	7202483 A1AW
	75100-Z0L-900	.....	-	1	-	-	-	-	-	-	-	-	7202484 A1AW
	75100-Z0L-901	.....	-	-	1	-	-	-	1	1	-	-	A1A, A1A/A, A1AW, A1G7, A1UV, A2UA, A3G7, A3HV, A3T9, A4G4, A4G7, A7H1, A7H1/A, A7Q1, A7Q1/A, A7X1, S3H, S3L, S3LE, S4G7, S4LE
	75100-Z0L-900	.....	-	-	1	-	-	-	1	-	-	-	A1AF, A1E7, A1M, A2E7, S1M, S2G7
	75100-ZM0-000	.....	-	-	-	1	-	-	-	-	-	-	A1E7, A1E8, A1G7, A1W7, A2A9, A2E7, A2E8, A2E9
	75100-Z1L-000	.....	-	-	-	-	1	-	-	-	-	-	A3HV, A4EV, A7Q1, S4H4
	75100-ZM0-000	.....	-	-	-	1	-	-	-	-	-	-	3217934 A1G9, A1P, A2G4, A2G7, A2G9, A3E7, A3E9, A3G9, A3T9, A3W7, A3W8, A4G4, A4G7, A4G9, A7E1, S2E2, S2E3, S3E9, S3G9, S4E4, S4E9, S4G4, S4G9
	75100-Z1L-000	.....	-	-	-	1	-	-	-	-	-	-	3217935 A1G9, A1P, A2G4, A2G7, A2G9, A3E7, A3E9, A3G9, A3T9, A3W7, A3W8, A4G4, A4G7, A4G9, A7E1, S2E2, S2E3, S3E9, S3G9, S4E4, S4E9, S4G4, S4G9
	75100-ZM0-000	.....	-	-	-	-	-	1	-	-	-	-	3238209 A2A9, A4A9, A7H1
	75100-Z1L-000	.....	-	-	-	-	-	1	-	-	-	-	3238210 A2A9, A4A9, A7H1
	75100-ZM0-000	.....	-	-	-	-	-	-	1	-	-	-	7132770 A1A, A1AF, S1M, S3H

2

**E-19**

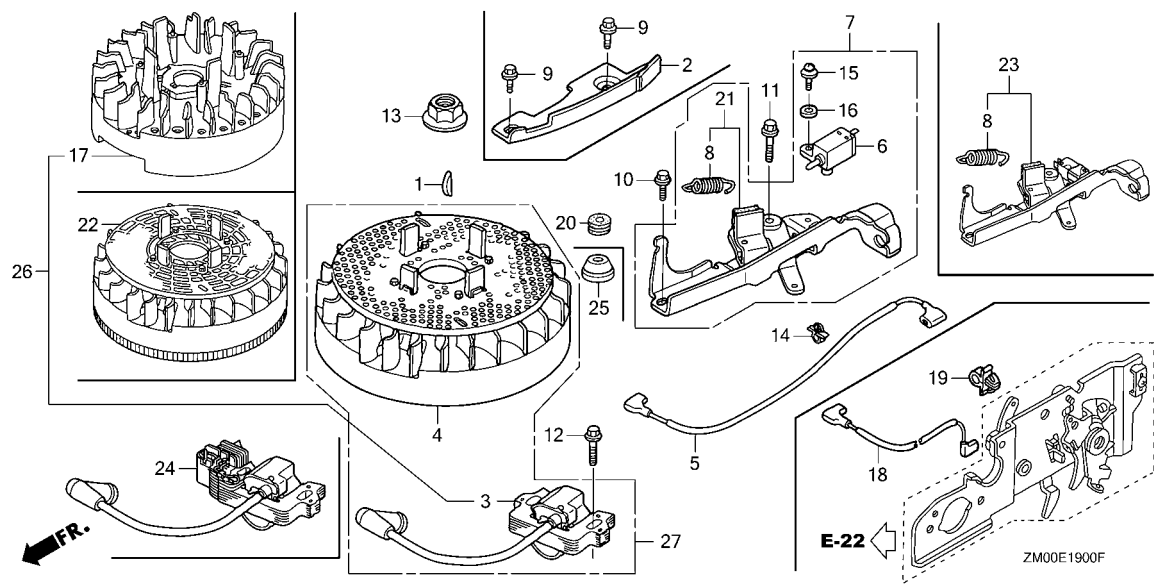
**FLYWHEEL(1)**

Ref. No.	Part No.	Description	Reqd. QTY										Serial No.	Parts catalogue code	
			GCV 160	GCV 160 A	GCV 160 A0	GCV 160 E	GCV 160 LE	GCV 160 LA	GCV 160 LA0	GCV 160 LA1					
8	75113-ZM0-000	SPRING, BRAKE LEVER.....	1	1	1	1	1	1	1	1	1	1	1	-----	A1A, A1A/A, A1AE, A1AF, A1AS, A1AW, A1C, A1E, A1E7, A1E8, A1G7, A1G9, A1J, A1M, A1P, A1U, A1UV, A1W2, A1W7, A2A, A2A9, A2C, A2E, A2E4, A2E7, A2E8, A2E9, A2G4, A2G7, A2G9, A2U, A2UA, A3A, A3E, A3E7, A3E9, A3G7, A3G9, A3HV, A3T9, A3W7, A3W8, A4A9, A4E, A4EV, A4G4, A4G7, A4G9, A7E1, A7H1, A7H1/A, A7Q1, A7Q1/A, A7X1, C1E, C1E1, C2E, C2E1, C3E, C3E1, C4E, C4E1, E1A2, E1G7, E2G7, N1, N2, R1A, R3A, R3A1, R3L, R3LE, RTL1, S1A, S1A1, S1E1, S1M, S2E, S2E1, S2E2, S2E3, S2G7, S3A, S3A2, S3E9, S3G9, S3H, S3H2, S3L, S3LE, S4E4, S4E9, S4G4, S4G7, S4G9, S4H4, S4LE, STA1
9	90013-883-000	BOLT, FLANGE, 6X12(CT200)....	2	2	-	-	-	-	-	-	-	-	-----	A2R, BHH, BHH1, EHHB, N1A, N1AF, N1C, N1D, N1E1, N1E2, N1E7, N1J1, N1L, N1R, N1U, N1W, N1W1, N1W2, N1W7, N1W8, N1W9, N2D, N2E, N2E1, N2E2, N2E3, N2E7, N2E8, N2E9, N2U, N3U, N3V, N5A, N5AF, N5C, N5MF, N5R, N7A1, N7S1	
	90013-Z1L-000	BOLT, FLANGE, 6X13.....	-	-	2	2	-	-	-	-	-	-	-----	A2R, N1D, N1E1, N1E2, N1E7, N1R, N1T8, N1U, N1U/A, N1W8, N1W9, N2E9, N2U, N3T9, N3U, N3V, N7A1	
	90013-883-000	BOLT, FLANGE, 6X12(CT200)....	-	-	-	-	2	-	-	-	-	-	-----	3346680 N1J1, N1T9, N1W7, N2E7, N2E8, N2EE, N3T8, N3W8, N3W9, S1G4	
	90013-Z1L-000	BOLT, FLANGE, 6X13.....	-	-	-	-	-	2	-	-	-	-	-----	3346681 N1J1, N1T9, N1W7, N2E7, N2E8, N2EE, N3T8, N3W8, N3W9, S1G4	
	90013-883-000	BOLT, FLANGE, 6X12(CT200)....	-	-	-	-	-	2	-	-	-	-	-----	3406723 N7A1	
	90013-Z1L-000	BOLT, FLANGE, 6X13.....	-	-	-	-	-	2	-	-	-	-	-----	3406724 N7A1	
	90013-883-000	BOLT, FLANGE, 6X12(CT200)....	-	-	-	-	-	-	2	-	-	-	-----	N7A1, N7S1	
10	90014-952-000	BOLT, FLANGE, 6X14(CT200)....	1	1	1	1	1	1	1	1	1	1	-----	6702082 A2R, BHH, N1A, N1AF, N5AF, N5MF, N5R	
													-----	A1A, A1A/A, A1AE, A1AF, A1AS, A1AW, A1C, A1E, A1E7, A1E8, A1G7, A1G9, A1J, A1M, A1P, A1U, A1UV, A1W2, A1W7, A2A, A2A9, A2C, A2E, A2E4, A2E7, A2E8, A2E9, A2G4, A2G7, A2G9, A2U, A2UA, A3A, A3E, A3E7, A3E9, A3G7, A3G9, A3HV, A3T9, A3W7, A3W8, A4A9, A4E, A4EV, A4G4, A4G7, A4G9, A7E1, A7H1, A7H1/A, A7Q1, A7Q1/A, A7X1, C1E, C1E1, C2E, C2E1, C3E, C3E1, C4E, C4E1, E1A2, E1G7, E2G7, N1, N2, R1A, R3A, R3A1, R3L, R3LE, RTL1, S1A, S1A1, S1E1, S1M, S2E, S2E1, S2E2, S2E3, S2G7, S3A, S3A2, S3E9, S3G9, S3H, S3H2, S3L, S3LE, S4E4, S4E9, S4G4, S4G7, S4G9, S4H4, S4LE, STA1	
11	90018-ZE1-000	BOLT, FLANGE, 6X23(CT200)....	1	1	1	1	1	1	1	1	1	1	-----	A1A, A1A/A, A1AE, A1AF, A1AS, A1AW, A1C, A1E, A1E7, A1E8, A1G7, A1G9, A1J, A1M, A1P, A1U, A1UV, A1W2, A1W7, A2A, A2A9, A2C, A2E, A2E4, A2E7, A2E8, A2E9, A2G4, A2G7, A2G9, A2U, A2UA, A3A, A3E, A3E7, A3E9, A3G7, A3G9, A3HV, A3T9, A3W7, A3W8, A4A9, A4E, A4EV, A4G4, A4G7, A4G9, A7E1, A7H1, A7H1/A, A7Q1, A7Q1/A, A7X1, N1, N2, S1A, S1A1, S1E1, S1M, S2E, S2E1, S2E2, S2E3, S2G7, S3A, S3A2, S3E9, S3G9, S3H, S3H2, S3L, S3LE, S4E4, S4E9, S4G4, S4G7, S4G9, S4H4, S4LE, STA1	
	90002-Z0L-820	.....	-	1	1	-	-	1	1	-	-	-	-----	C1E, C1E1, C2E, C2E1, C3E, C3E1, C4E, C4E1, E1A2, E1G7, E2G7, R1A, R3A, R3A1, R3L, R3LE, RTL1	
12	90022-888-010	BOLT, FLANGE, 6X20(CT200)....	1	-	-	-	-	-	-	-	-	-	-----	A1A, A1AF, A1C, A1E, A1E8, A1W7, A2A, A2C, A2E8, A2E9, A2G7, A2R, A3A, A3E, A7E1, BHH, E1A2, E1A4, E1G7, E2G7, E5A4, EHHB, N1A, N1AF, N1C, N1E1, N1E7, N1W7, N1W8, N1W9, N2E7, N2E8, N2E9, N5AF, N5C, N5MF, N5R, N7A1, N7S1, R1A, R3A, R3A1, S1A, S1A1, S1M, S3A, S3H, STA1	
			-	1	-	-	-	-	-	-	-	-	-----	7137084 A1AE, A1AS, A1AW, A1E7, A1M, A2E7, BHH1, C1E, C1E1, C2E, C2E1, C3E, C3E1, C4E, C4E1, N1L, N1R, N1U, N2U, N3U, N3V, N5A, RTL1, S2G7, S3A2, S3H2	



# E-19

# FLYWHEEL(1)



Ref. No.	Part No.	Description	Reqd. QTY									Serial No.	Parts catalogue code		
			GCV 160	GCV 160 A	GCV 160 A0	GCV 160 E	GCV 160 LE	GCV 160 LA	GCV 160 LA0	GCV 160 LA1					
12)	90018-ZE1-000	BOLT, FLANGE, 6X23(CT200).....	-	1	-	-	-	-	-	-	-	7137085	-----	A1AE, A1AS, A1AW, A1E7, A1M, A2E7, BHH1, C1E, C1E1, C2E, C2E1, C3E, C3E1, C4E, C4E1, N1L, N1R, N1U, N2U, N3U, N3V, N5A, RTL1, S2G7, S3A2, S3H2	
	90022-888-010	BOLT, FLANGE, 6X20(CT200).....	-	-	1	-	-	-	1	-	-	-----	-----	A1A, A1AF, A1AW, A1E7, A1G7, A1M, A1UV, A2E7, A2R, A2UA, A3G7, A3HV, A3T9, A4G4, A4G7, A7H1, A7Q1, A7Q1/A, C1E, C1E1, C2E, C2E1, C3E, C3E1, C4E, C4E1, E1A2, E2G7, N1A, N1R, N1U, N1U/A, N2U, N3U, N3V, N5AF, N7A1, N7S1, R3A, R3L, R3LE, S1A, S1M, S2G7, S3A, S3H, S3H2, S3L, S3LE, S4G7, S4LE, SBT	
	90021-Z1L-000	BOLT, FLANGE, 6X21.....	-	-	-	1	-	-	-	-	-	-----	-----	A1E7, A1E8, A1G7, A1W7, A2A9, A2E7, A2E8, A2E9, A2R, N1D, N1E1, N1E2, N1E7, N1R, N1T8, N1W8, N1W9, N2E9, N3T9, N7A1, S2E	
	90022-888-010	BOLT, FLANGE, 6X20(CT200).....	-	-	-	1	-	-	-	-	-	3400102	-----	A3HV, A4EV, S4H4	
	90021-Z1L-000	BOLT, FLANGE, 6X21.....	-	-	-	1	-	-	-	-	-	3400103	-----	A1G9, A1P, A2G4, A2G7, A2G9, A3E7, A3E9, A3G9, A3T9, A3W7, A3W8, A4G4, A4G7, A4G9, A7E1, A7Q1, N1J1, N1T9, N1W7, N2E7, N2E8, N2EE, N3T8, N3W8, N3W9, S1E1, S1G4, S2E1, S2E2, S2E3, S3E9, S3G9, S4E4, S4E9, S4G4, S4G9	
	90022-888-010	BOLT, FLANGE, 6X20(CT200).....	-	-	-	-	-	-	1	-	-	-----	3406723	-----	A1G9, A1P, A2G4, A2G7, A2G9, A3E7, A3E9, A3G9, A3T9, A3W7, A3W8, A4G4, A4G7, A4G9, A7E1, A7Q1, N1J1, N1T9, N1W7, N2E7, N2E8, N2EE, N3T8, N3W8, N3W9, S1E1, S1G4, S2E1, S2E2, S2E3, S3E9, S3G9, S4E4, S4E9, S4G4, S4G9
	90021-Z1L-000	BOLT, FLANGE, 6X21.....	-	-	-	-	-	-	1	-	-	3406724	-----	-----	
	90022-888-010	BOLT, FLANGE, 6X20(CT200).....	-	-	-	-	-	-	1	-	-	-----	6702082	-----	-----
	90018-ZE1-000	BOLT, FLANGE, 6X23(CT200).....	-	-	-	-	-	-	1	-	-	6702083	-----	A1A, A1AF, E1A2, N7A1, N7S1, R3A, S1A, S1M, S3A, S3H	
			-	-	-	-	-	-	-	-	1	-----	-----	A1A, A1A/A, A7H1, A7H1/A, A7X1	

**E-19**

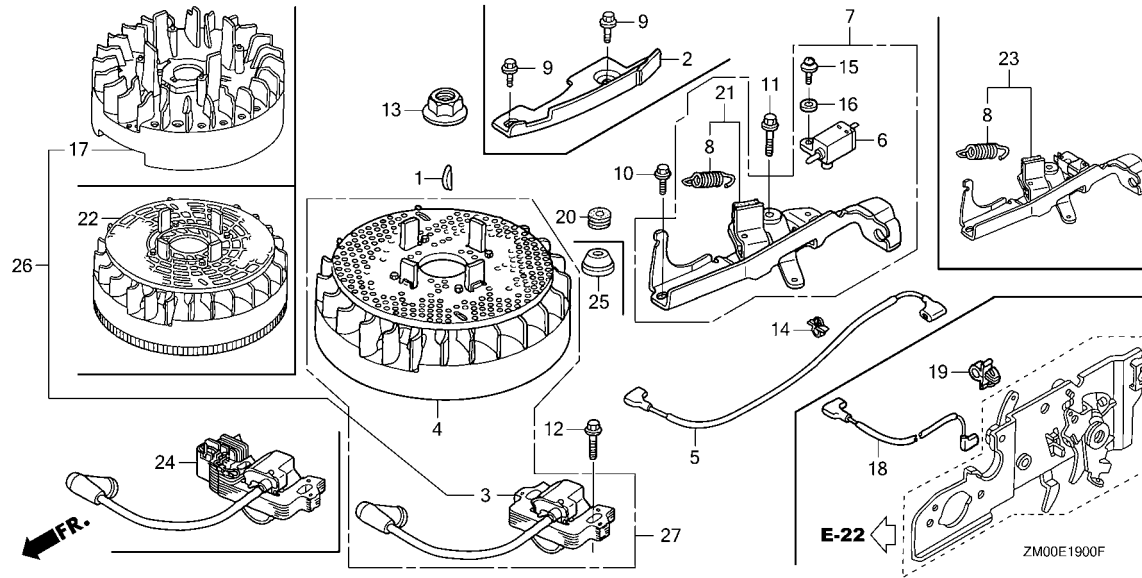
**FLYWHEEL(1)**

Ref. No.	Part No.	Description	Reqd. QTY										Serial No.	Parts catalogue code	
			GCV 160	GCV 160 A	GCV 160 A0	GCV 160 E	GCV 160 LE	GCV 160 LA	GCV 160 LA0	GCV 160 LA1					
13	90201-878-003	NUT, SPECIAL, 14MM	1	1	-	-	-	-	-	-	-	-	-	-	A1A, A1AE, A1AF, A1AS, A1C, A1E, A1E7, A1E8, A1G7, A1J A1M, A1P, A1U, A1W2, A1W7, A2A, A2C, A2E, A2E4, A2E7 A2E8, A2E9, A2G7, A2R, A2U, A3A, A3E, A4E, A7E1, BHH BHH1, C1E, C1E1, C2E, C2E1, C3E, C3E1, C4E, C4E1, E1A2 E1A4, E1G7, E2G7, E5A4, EHHB, N1, N1A, N1AF, N1C, N1D N1E1, N1E2, N1E7, N1J1, N1L, N1R, N1U, N1W, N1W1, N1W2 N1W7, N1W8, N1W9, N2, N2D, N2E, N2E1, N2E2, N2E3, N2E7 N2E8, N2E9, N2U, N3U, N3V, N5A, N5AF, N5C, N5MF, N5R N7A1, N7S1, R1A, R3A, R3A1, RTL1, S1A, S1A1, S1M, S2G7 S3A, S3A2, S3H, S3H2, STA1
	90201-Z0T-800		-	1	-	-	-	-	-	-	-	-	-	-	A1AW A1AW, A1E7, A1G7, A1M, A1UV, A2A9, A2E7, A2UA, A3G7 A3HV, A3T9, A4A9, A4G4, A4G7, A7H1, A7Q1, A7Q1/A, C1E C1E1, C2E, C2E1, C3E, C3E1, C4E, C4E1, E2G7, N1R, N1U N1U/A, N2U, N3U, N3V, N7A1, R3LE, S2G7, S3H2, S3LE S4G7, S4LE
	90201-878-003		-	-	-	1	-	-	-	-	-	-	-	-	A1A, A1AF, E1A2, N7A1, N7S1, R3A, S1A, S1M, S3A, S3H A2R, BHH, N1A, N1AF, N5AF, N5MF, N5R
	90201-Z0T-800		-	-	-	-	-	-	1	1	-	-	-	-	A1A, A1A/A, A1AF, A7H1, A7H1/A, A7X1, E1A2, N7A1 N7S1, R3A, R3L, S1A, S1M, S3A, S3H, S3L
14	90681-959-003	CLIP A, CABLE(NIFCO) (3.8MM BLACK)	1	1	-	-	1	-	-	-	-	-	-	-	A1A, A1AE, A1AF, A1AS, A1AW, A1C, A1E, A1E7, A1E8 A1G7, A1J, A1M, A1P, A1U, A1W2, A1W7, A2A, A2A9, A2C A2E, A2E4, A2E7, A2E8, A2E9, A2G7, A2R, A2U, A3A, A3E A4A9, A4E, A7E1, A7H1, E1G7, E2G7, N1, N1A, N1C, N2 N5A, N5C, R1A, R3A, R3A1, S1A, S1A1, S1M, S2G7, S3A S3A2, S3H, S3H2, STA1
	51125-Z0L-003	HOLDER, WIRE(FASTEX)	-	1	-	-	-	-	-	-	-	-	-	-	A1AW, A1E, A1M, A3E, S1M, S2G7, S3A2, S3H, S3H2
	90681-959-003	CLIP A, CABLE(NIFCO) (3.8MM BLACK)	-	-	1	-	-	1	1	1	-	-	-	-	A1A, A1A/A, A1AF, A1AW, A1E7, A1M, A2E7, A3T9, A4G4 A7H1, A7H1/A, A7Q1, A7Q1/A, S1A, S1M, S2G7, S3A, S3H S3H2, S3L, S3LE, S4LE
	51125-Z0L-003	HOLDER, WIRE(FASTEX)	-	-	1	-	-	1	1	-	-	-	-	-	A1A, A1AF, A1AW, A1E7, A1M, A1UV, A2E7, A2UA, A7Q1/A S1A, S1M, S2G7, S3A, S3H, S3H2
	90681-959-003	CLIP A, CABLE(NIFCO) (3.8MM BLACK)	-	-	-	1	-	-	-	-	-	-	-	-	A1E7, A1E8, A1G7, A1G9, A1P, A1W7, A2A9, A2E7, A2E8 A2E9, A2G4, A2G7, A2G9, A3E7, A3E9, A3G9, A3HV, A3T9 A4EV, A4G4, A4G7, A4G9, A7E1, A7Q1, S1E1, S2E, S2E1 S2E2, S2E3, S3E9, S3G9, S4E4, S4E9, S4G4, S4G9, S4H4
	51125-Z0L-003	HOLDER, WIRE(FASTEX)	-	-	-	-	-	-	-	-	-	1	-	-	A1A, A1A/A, A7H1, A7H1/A
15	93892-04012-00	SCREW-WASHER, 4X12	1	1	-	-	1	1	-	1	-	1	-	-	A1A, A1A/A, A1AE, A1AF, A1AS, A1AW, A1C, A1E, A1E7 A1E8, A1G7, A1J, A1M, A1P, A1U, A1W2, A1W7, A2A, A2A9 A2C, A2E, A2E4, A2E7, A2E8, A2E9, A2G7, A2U, A3A, A3E A4A9, A4E, A7E1, A7H1, A7H1/A, A7X1, N1, N2, S1A, S1A1 S1M, S2G7, S3A, S3A2, S3H, S3H2, STA1
			-	-	1	-	-	-	-	-	-	-	-	-	A1AW, A1E7, A1G7, A1M, A1UV, A2E7, A2UA, A3G7, A3HV A3T9, A4G4, A4G7, A7Q1, A7Q1/A, N1R, S2G7, S3H2, S3LE S4G7, S4LE
			-	-	-	1	-	-	-	-	-	-	-	-	A1E7, A1E8, A1G7, A1G9, A1P, A1W7, A2A9, A2E7, A2E8 A2E9, A2G4, A2G7, A2G9, A3E7, A3E9, A3G9, A3HV, A3T9 A3W7, A3W8, A4EV, A4G4, A4G7, A4G9, A7E1, A7Q1, S1E1 S2E, S2E1, S2E2, S2E3, S3E9, S3G9, S4E4, S4E9, S4G4 S4G9, S4H4
			-	-	-	-	-	-	-	1	-	-	-	-	A1A, A1AF, A7H1, N7A1, N7S1, S1A, S1M, S3A, S3H, S3L



E-19

FLYWHEEL(1)



Ref. No.	Part No.	Description	Reqd. QTY										Serial No.	Parts catalogue code	
			GCV 160	GCV 160 A	GCV 160 A0	GCV 160 E	GCV 160 LE	GCV 160 LA	GCV 160 LA0	GCV 160 LA1					
16	94103-04000	WASHER, PLAIN, 4MM	1	1	-	-	1	1	-	1	-	-	-	-	A1A, A1A/A, A1AE, A1AF, A1AS, A1AW, A1C, A1E, A1E7, A1E8, A1G7, A1J, A1M, A1P, A1U, A1W2, A1W7, A2A, A2A9, A2C, A2E, A2E4, A2E7, A2E8, A2E9, A2G7, A2U, A3A, A3E, A4A9, A4E, A7E1, A7H1, A7H1/A, A7X1, N1, N2, S1A, S1A1, S1M, S2G7, S3A, S3A2, S3H, S3H2, STA1, A1AW, A1E7, A1G7, A1M, A1UV, A2E7, A2UA, A3G7, A3HV, A3T9, A4G4, A4G7, A7Q1, A7Q1/A, N1R, S2G7, S3H2, S3LE, S4G7, S4LE, A1E7, A1E8, A1G7, A1G9, A1P, A1W7, A2A9, A2E7, A2E8, A2E9, A2G4, A2G7, A2G9, A3E7, A3E9, A3G9, A3HV, A3T9, A3W7, A3W8, A4EV, A4G4, A4G7, A4G9, A7E1, A7Q1, S1E1, S2E, S2E1, S2E2, S2E3, S3E9, S3G9, S4E4, S4E9, S4G4, S4G9, S4H4, A1A, A1AF, A7H1, N7A1, N7S1, S1A, S1M, S3A, S3H, S3L, A2R, N1E1, N1E2, N1E7, N2E, N2E1, N2E2, N2E3, N2E7, N2E8, N2E9, N2EE, A2R, N1A, N1AF, N1C, N1E1, N1E7, N1L, N2E7, N2E8, N2E9, N5A, N5AF, N5C, N5MF, N5R, E1A4, E5A4, 6702082, A2R, N1A, N1AF, N5AF, N5MF, N5R, 6702082, A2R, N1A, N1AF, N5AF, N5MF, N5R, BHH, BHH1, N1A, N1D, N1E1, N1E2, N1E7, N1J1, N1L, N1R, N1U, N1W, N1W1, N1W2, N1W7, N1W8, N1W9, N2D, N2E, N2E1, N2E2, N2E3, N2E7, N2E8, N2E9, N2U, N3U, N3V, N7A1, N7S1, EHHB
17	31110-ZL8-004	FLYWHEEL COMP.(TEC) (USE FOR IGN. COIL OF TEC)	1	-	-	1	-	-	-	-	1	-	-	-	-
	31110-Z0J-013	FLYWHEEL COMP.(PHELON) (USE FOR IGN. COIL OF PHELON)	-	1	-	-	-	-	-	-	-	-	-	-	-
	31110-Z0L-832	.....	-	1	-	-	-	-	-	-	-	-	-	-	-
	31110-Z0J-013	.....	-	-	-	-	-	-	1	-	-	-	-	-	-
	31110-ZL8-004	FLYWHEEL COMP.(TEC) (USE FOR IGN. COIL OF TEC)	-	-	-	-	-	-	(1)	-	-	-	-	-	-
18	32195-ZM0-800	CORD, STOP SWITCH	1	1	-	-	-	1	-	-	-	-	-	-	-
	32195-Z0L-800	.....	-	1	-	-	-	-	-	-	-	-	-	-	-



**E-19**

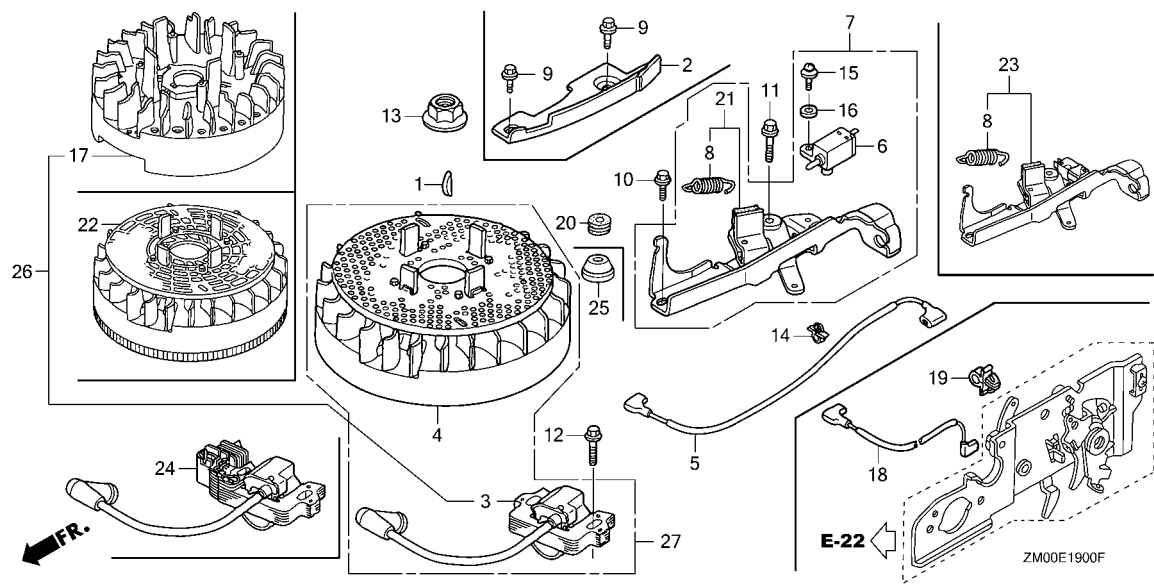
**FLYWHEEL(1)**

Ref. No.	Part No.	Description	Reqd. QTY							Serial No.	Parts catalogue code	
			GCV 160	GCV 160 A	GCV 160 A0	GCV 160 E	GCV 160 LE	GCV 160 LA	GCV 160 LA0			GCV 160 LA1
18)	32195-ZM0-800	CORD, STOP SWITCH	-	-	1	-	-	-	-	-	-	N1R, N1U, N1U/A, N2U, N3U, N3V A2R, N1D, N1E1, N1E2, N1E7, N1J1, N1R, N1T8, N1T9 N1W7, N1W8, N1W9, N2E7, N2E8, N2E9, N2EE, N3T8, N3T9 N3W8, N3W9, N7A1, S1G4 N7A1, N7S1
			-	-	-	-	-	1	1	-	6702082	A2R, BHH, N1A
19	90681-959-003	CLIP A, CABLE(NIFCO) (3.8MM BLACK)	1	1	-	-	1	-	-	-	-	BHH, BHH1, N1D, N1E1, N1E2, N1E7, N1J1, N1L, N1R, N1U N1W, N1W1, N1W2, N1W7, N1W8, N1W9, N2D, N2E, N2E1 N2E2, N2E3, N2E7, N2E8, N2E9, N2U, N3U, N3V, N7A1 N7S1
	51125-Z0L-003	HOLDER, WIRE(FASTEX)	-	1	-	-	-	-	-	-	-	EHHB, N1L, N7S1
	90681-959-003	CLIP A, CABLE(NIFCO) (3.8MM BLACK)	-	-	1	-	-	-	-	-	-	N1U, N1U/A, N2U, N7A1, N7S1
			-	-	1	-	-	-	-	-	-	N1R, N1U, N2U, N3V
			-	-	1	-	-	-	-	-	1949807	N3U
			-	-	-	-	-	1	1	-	-	A2R, N1D, N1E1, N1E2, N1E7, N1J1, N1R, N1T8, N1T9 N1W7, N1W8, N1W9, N2E7, N2E8, N2E9, N2EE, N3T8, N3T9 N3W8, N3W9, N7A1, S1G4 N7A1, N7S1
	51125-Z0L-003	HOLDER, WIRE(FASTEX)	-	-	-	-	-	1	1	-	-	A2R, BHH, N1A, N5R
	90681-959-003	CLIP A, CABLE(NIFCO) (3.8MM BLACK)	-	-	-	-	-	1	-	-	6702082	A2R, BHH, N1A, N5R
20	11344-MB0-000	GROMMET A, RR. COVER(8X16X6.6)	-	1	-	1	-	-	-	-	-	S1A, S1A1, S1E1, S2E, S2E1, S3A, STA1
			-	1	-	-	-	-	-	-	-	7132770 S3H2
	11344-Z0L-800	GROMMET A, RR. COVER(8X16X8)	-	1	-	-	-	-	-	-	-	7132770 S3H2
			-	1	-	-	-	-	-	4587467	-	S1A, S1A1, S3A, STA1
	11344-MB0-000	GROMMET A, RR. COVER(8X16X6.6)	-	-	-	-	-	1	-	-	-	7132770 S1A, S3A
	11344-Z0L-800	GROMMET A, RR. COVER(8X16X8)	-	-	-	-	-	1	-	-	-	7132770 S1A, S3A
21	75110-Z0L-800	BRAKE SUB ASSY.	-	1	-	1	-	-	-	-	-	S1A, S1A1, S1E1, S2E, S2E1, S3A, STA1
			-	1	-	-	-	-	-	-	-	7132770 S3H2
	75110-Z0L-900	.....	-	1	-	-	-	-	-	7132771	-	A1E7, A1M, A2E7, S2G7
	75110-Z0Y-000	.....	-	1	-	-	-	-	-	7132771	-	S3H2
	75110-Z0L-900	.....	-	1	-	-	-	-	-	7202484	-	A1AW
	75110-Z0L-901	.....	-	-	1	-	-	-	1	1	-	A1A, A1A/A, A1AW, A1G7, A1UV, A2UA, A3G7, A3HV, A3T9 A4G4, A4G7, A7H1, A7H1/A, A7Q1, A7Q1/A, A7X1, S3H S3L, S3LE, S4G7, S4LE
			-	-	1	-	-	-	1	-	-	A1AF, A1E7, A1M, A2E7, S1M, S2G7
	75110-Z0Y-010	.....	-	-	1	-	-	-	1	-	-	S3A, S3H2
	75110-Z0L-800	.....	-	-	-	-	-	1	-	-	7132770	S1A, S3A
	75110-Z0L-900	.....	-	-	-	-	-	1	-	7132771	-	A1A, A1AF, S1M, S3H
	75110-Z0Y-000	.....	-	-	-	-	-	1	-	7132771	-	S1A, S3A
			-	-	-	-	-	-	1	-	-	S1A
22	31105-Z0L-821	FLYWHEEL ASSY.(PHELON) (USE FOR IGN. COIL OF PHELON)	-	1	1	-	-	1	-	-	-	C1E, C1E1, C2E, C2E1, C3E, C3E1, C4E, C4E1, E1A2, E1G7 E2G7, R1A, R3A, R3A1
	31105-Z0L-830	.....	-	1	-	-	-	-	-	-	-	EHHB
	31105-Z0L-831	.....	-	1	-	-	-	-	-	-	-	EHHB
	31105-Z0L-820	.....	-	1	-	-	-	-	-	-	3671989	RTL1
	31105-Z0L-821	.....	-	1	-	-	-	-	-	-	3671990	RTL1
	31105-Z0Y-922	FLYWHEEL ASSY.	-	-	1	-	-	-	1	-	-	R3A, R3L, R3LE
	31105-Z0L-821	FLYWHEEL ASSY.(PHELON) (USE FOR IGN. COIL OF PHELON)	-	-	-	-	-	-	1	-	-	E1A2
23	75110-Z0L-821	BRAKE SUB ASSY.	-	1	-	-	-	1	-	-	-	E1A2, E1G7, E2G7, R1A, R3A, R3A1, RTL1
			-	1	-	-	-	-	-	-	7132770	C1E, C1E1, C2E, C2E1, C3E, C3E1, C4E, C4E1
	75110-Z0L-822	.....	-	1	-	-	-	-	-	7132771	-	C1E, C1E1, C2E, C2E1, C3E, C3E1, C4E, C4E1
			-	-	1	-	-	-	1	-	-	C1E, C1E1, C2E, C2E1, C3E, C3E1, C4E, C4E1, E1A2, E2G7



# E-19

# FLYWHEEL(1)

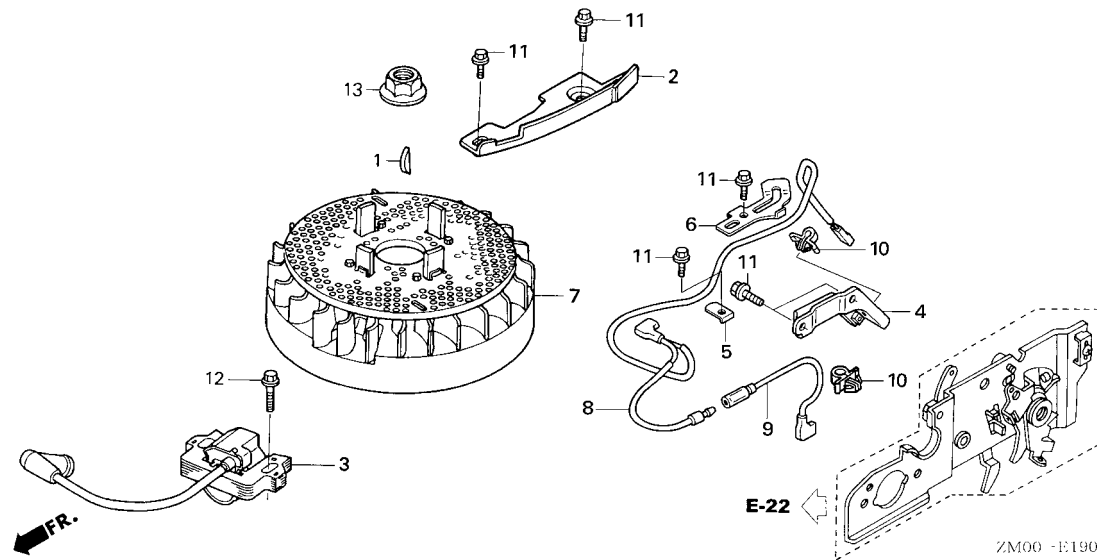


Ref. No.	Part No.	Description	Reqd. QTY								Serial No.	Parts catalogue code
			GCV 160	GCV 160 A	GCV 160 A0	GCV 160 E	GCV 160 LE	GCV 160 LA	GCV 160 LA0	GCV 160 LA1		
23)	75110-Z0L-825	BRAKE SUB ASSY.....	-	-	1	-	-	-	1	-	-----	R3A,R3L,R3LE
24	30500-Z0L-821	COIL ASSY., IGNITION(PHELON) (USE FOR F/W OF PHELON)	-	1	1	-	-	-	-	-	-----	C1E,C1E1,C2E,C2E1,C3E,C3E1,C4E,C4E1
25	91601-Z0L-300	GROMMET, BRAKE PLATE.....	-	1	-	-	-	-	-	7132771	-----	S3H2
			-	1	-	-	-	1	-	-	-----	S1A,S3A,S3H2
			-	-	-	-	-	1	-	7132771	-----	S1A,S3A
26	06311-Z0J-900	FLYWHEEL KIT.....	-	-	-	-	-	(1)	-	-	-----	6702082 A2R,N1A,N1AF,N5AF,N5MF,N5R
27	06311-Z0L-900	FLYWHEEL KIT(TEC).....	-	-	-	-	-	(1)	-	-	-----	6702082 BHH



# E-19-1

# FLYWHEEL(2)



Ref. L.O.N. (Relative ref. Number) F.R.T.  
 No. Description

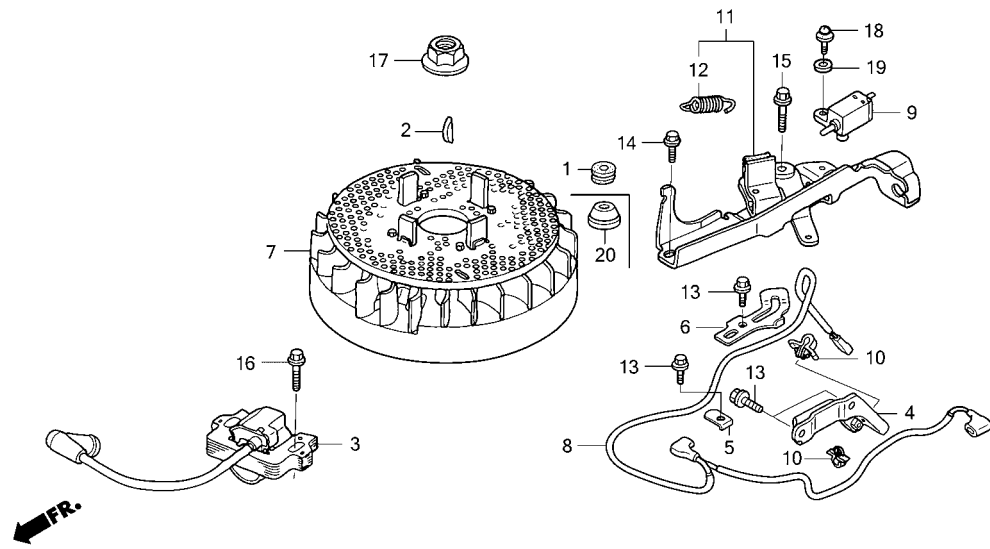
Ref. No.	Part No.	Description	Reqd. QTY									Serial No.	Parts catalogue code
			GCV 160	GCV 160 A	GCV 160 A0	GCV 160 E	GCV 160 LE	GCV 160 LA	GCV 160 LA0	GCV 160 LA1			
1	13331-357-000	KEY, SPECIAL WOODRUFF, 25X18	-	1	-	-	-	-	-	-	-	-	NBL1
2	19612-ZM0-J20	PLATE, SIDE	-	1	-	-	-	-	-	-	-	5008780	NBL1
	19612-Z0L-000	.....	-	1	-	-	-	-	-	-	-	5008781	NBL1
3	30500-Z0J-003	COIL ASSY., IGNITION(PHELON) (USE FOR F/W OF PHELON)	-	1	-	-	-	-	-	-	-	-	NBL1
4	30547-Z0L-S00	CLAMPER, STOP SWITCH CORD	-	1	-	-	-	-	-	-	-	-	NBL1
5	30548-ZL8-000	CLAMPER, STOP SWITCH CORD	-	1	-	-	-	-	-	-	-	-	NBL1
6	30549-ZL8-000	CLAMPER, CORD	-	1	-	-	-	-	-	-	-	-	NBL1
7	31105-Z0J-010	FLYWHEEL ASSY.(PHELON) (USE FOR IGN. COIL OF PHELON)	-	1	-	-	-	-	-	-	-	-	NBL1
8	32195-Z0L-S20	CORD, STOP SWITCH	-	1	-	-	-	-	-	-	-	-	NBL1
9	32196-Z0L-S20	CORD, STOP SWITCH	-	1	-	-	-	-	-	-	-	-	NBL1
10	51125-Z0L-003	HOLDER, WIRE(FASTEX)	-	2	-	-	-	-	-	-	-	-	NBL1
	90681-959-003	CLIP A, CABLE(NIFCO) (3.8MM BLACK)	-	2	-	-	-	-	-	-	-	-	NBL1
11	90013-883-000	BOLT, FLANGE, 6X12(CT200)	-	6	-	-	-	-	-	-	-	-	NBL1
12	90022-888-010	BOLT, FLANGE, 6X20(CT200)	-	1	-	-	-	-	-	-	-	7137084	NBL1
	90018-ZE1-000	BOLT, FLANGE, 6X23(CT200)	-	1	-	-	-	-	-	-	-	7137085	NBL1
13	90201-878-003	NUT, SPECIAL, 14MM	-	1	-	-	-	-	-	-	-	-	NBL1





# E-19-2

# FLYWHEEL(3)



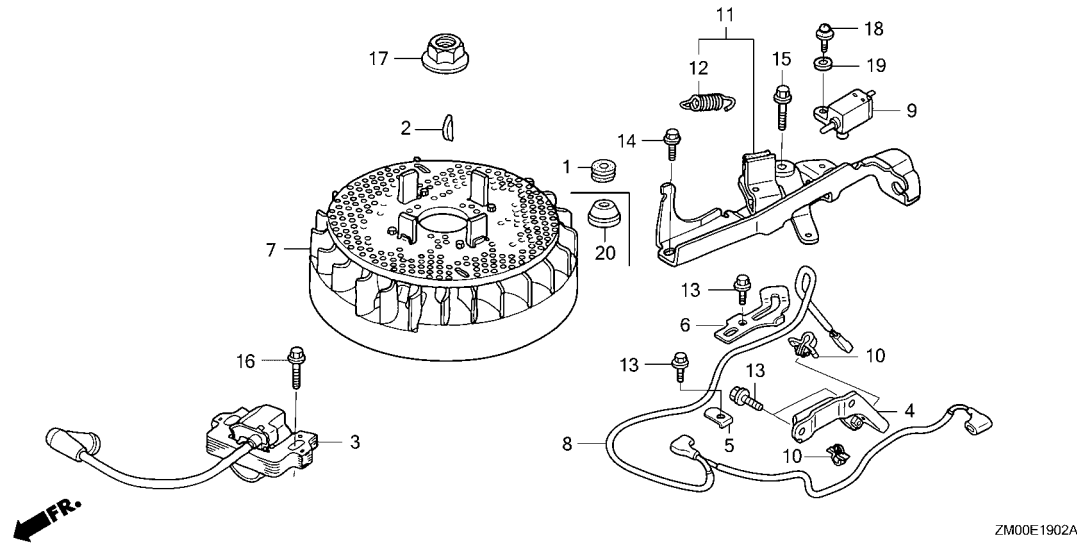
Ref. No. L.O.N. (Relative ref. Number) Description F.R.T.

Ref. No.	Part No.	Description	Reqd. QTY							Serial No.	Parts catalogue code	
			GCV 160	GCV 160 A	GCV 160 A0	GCV 160 E	GCV 160 LE	GCV 160 LA	GCV 160 LA0			GCV 160 LA1
1	11344-MB0-000	GROMMET A, RR. COVER(8X16X6.6)	-	1	-	-	-	-	-	-	-----	STL1
2	13331-357-000	KEY, SPECIAL WOODRUFF, 25X18	-	1	-	-	-	-	-	-	-----	STL1
	13331-Z8B-900	.....	-	1	-	-	-	-	-	1886101	-----	S3TE
	13331-357-000	.....	-	-	-	-	-	-	1	-	-----	3540037 S3T
	13331-Z8B-900	.....	-	-	-	-	-	-	1	-	-----	S3T
3	30500-ZL8-004	COIL ASSY., IGNITION(TEC) (USE FOR F/W OF TEC)	-	1	-	-	-	-	-	-	-----	6102260 STL1
	30500-ZL8-014	.....	-	1	-	-	-	-	-	6102261	-----	STL1
	30500-Z8B-902	COIL ASSY., IGNITION(FENGLONG)	-	-	1	-	-	-	-	-	-----	S3TE
	30500-Z8B-903	COIL ASSY., IGNITION(FENIX)	-	-	1	-	-	-	-	-	-----	S3TE
	30500-ZL8-014	COIL ASSY., IGNITION(TEC) (USE FOR F/W OF TEC)	-	-	-	-	-	-	1	-	-----	S3T
4	30547-Z0L-S00	CLAMPER, STOP SWITCH CORD	-	1	1	-	-	-	1	-	-----	S3T,S3TE,STL1
5	30548-ZL8-000	CLAMPER, STOP SWITCH CORD	-	1	1	-	-	-	1	-	-----	S3T,S3TE,STL1
6	30549-ZL8-000	CLAMPER, CORD	-	1	1	-	-	-	1	-	-----	S3T,S3TE,STL1
7	31105-ZM0-000	FLYWHEEL ASSY.(TEC) (USE FOR IGN. COIL OF TEC)	-	1	1	-	-	-	1	-	-----	S3T,S3TE,STL1
8	32195-Z0L-S00	CORD, STOP SWITCH	-	1	1	-	-	-	1	-	-----	S3T,S3TE,STL1
9	35120-ZM0-003	SWITCH ASSY., ENGINE STOP(N.C)	-	1	1	-	-	-	1	-	-----	S3T,S3TE,STL1
10	51125-Z0L-003	HOLDER, WIRE(FASTEX)	-	2	3	-	-	-	3	-	-----	S3T,S3TE,STL1
	90681-959-003	CLIP A, CABLE(NIFCO) (3.8MM BLACK)	-	1	1	-	-	-	1	-	-----	S3T,S3TE,STL1
11	75110-Z0L-800	BRAKE SUB ASSY.	-	1	-	-	-	-	-	-	-----	STL1
	75110-Z0Y-010	.....	-	-	1	-	-	-	1	-	-----	S3T,S3TE
12	75113-ZM0-000	SPRING, BRAKE LEVER	-	1	1	-	-	-	1	-	-----	S3T,S3TE,STL1
13	90013-883-000	BOLT, FLANGE, 6X12(CT200)	-	4	4	-	-	-	4	-	-----	S3T,S3TE,STL1



# E-19-2

# FLYWHEEL(3)

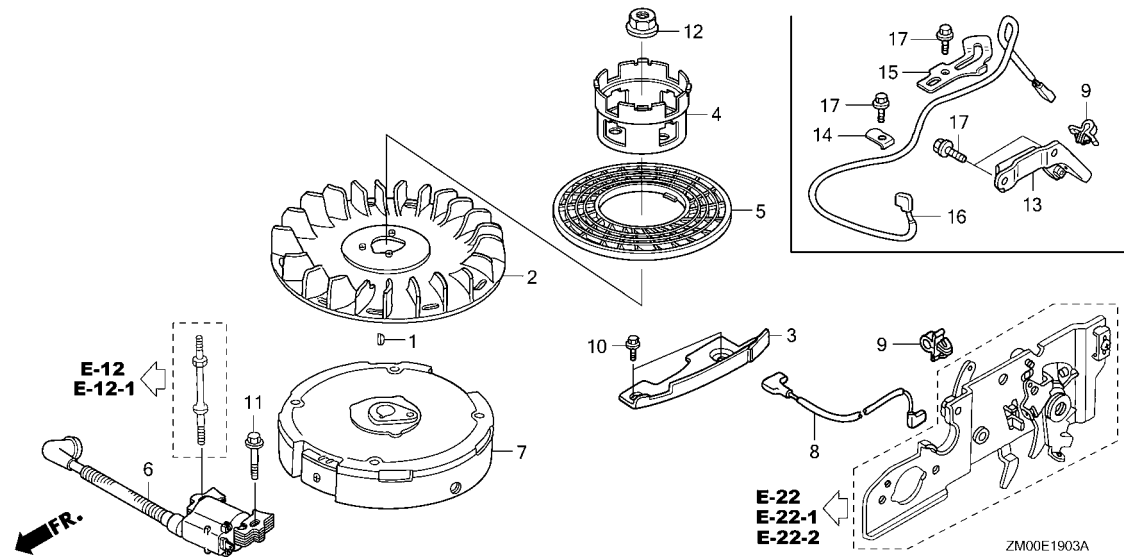


Ref. No.	Part No.	Description	Reqd. QTY								Serial No.	Parts catalogue code	
			GCV 160	GCV 160 A	GCV 160 A0	GCV 160 E	GCV 160 LE	GCV 160 LA	GCV 160 LA0	GCV 160 LA1			
14	90014-952-000	BOLT, FLANGE, 6X14(CT200).....	-	1	1	-	-	-	-	1	-	-----	S3T,S3TE,STL1
15	90018-ZE1-000	BOLT, FLANGE, 6X23(CT200).....	-	1	1	-	-	-	-	1	-	-----	S3T,S3TE,STL1
16	90022-888-010	BOLT, FLANGE, 6X20(CT200).....	-	1	-	-	-	-	-	-	-	-----	7137084 STL1
	90018-ZE1-000	BOLT, FLANGE, 6X23(CT200).....	-	1	-	-	-	-	-	-	-	7137085	----- STL1
17	90201-878-003	NUT, SPECIAL, 14MM.....	-	1	-	-	-	-	-	1	-	-----	S3T,S3TE
	90201-Z0T-800	.....	-	-	1	-	-	-	-	1	-	-----	STL1
18	93892-04012-00	SCREW-WASHER, 4X12.....	-	1	1	-	-	-	-	1	-	-----	S3T,S3TE
19	94103-04000	WASHER, PLAIN, 4MM.....	-	1	1	-	-	-	-	1	-	-----	S3T,S3TE,STL1
20	91601-Z0L-300	GROMMET, BRAKE PLATE.....	-	-	1	-	-	-	-	1	-	-----	S3T,S3TE,STL1
			-	-	1	-	-	-	-	1	-	-----	S3T,S3TE



# E-19-3

# FLYWHEEL(4)



Ref. L.O.N. (Relative ref. Number) F.R.T.  
 No. Description

Ref. No.	Part No.	Description	Reqd. QTY									Serial No.	Parts catalogue code	
			GCV 160	GCV 160 A	GCV 160 A0	GCV 160 E	GCV 160 LE	GCV 160 LA	GCV 160 LA0	GCV 160 LA1				
1	13331-Z8B-900	KEY, SPECIAL WOODRUFF, 25X18	-	-	1	-	-	-	1	-	-	-	-	G5AF, G5MF, N2EE, N2KE, N3T8, NBHT, SBA, SBH, SBHE, SBL, BHH1, N1L
	13331-357-000	.....	-	-	1	-	-	-	-	-	-	-	-	2036010 N5RE
	13331-357-000	.....	-	-	1	-	-	-	-	-	-	-	-	2068083 SBTE
	13331-Z8B-900	.....	-	-	1	-	-	-	-	-	-	-	-	2036011 N5RE
	13331-357-000	.....	-	-	1	-	-	-	-	-	-	-	-	2068084 SBTE
	13331-357-000	.....	-	-	-	-	-	-	1	-	-	-	-	6702083 A2R, BHH, N1A, N1AF, N5AF, N5MF, N5R
	13331-357-000	.....	-	-	-	-	-	-	1	-	-	-	-	3541630 N5AF, N5MF, N5R, N5RB
	13331-357-000	.....	-	-	-	-	-	-	1	-	-	-	-	3583781 A2R
	13331-357-000	.....	-	-	-	-	-	-	1	-	-	-	-	3855637 BHH, SBT
	13331-357-000	.....	-	-	-	-	-	-	1	-	-	-	-	3882821 N1A, N1AF
	13331-Z8B-900	.....	-	-	-	-	-	-	1	-	-	-	-	3541631 N5AF, N5MF, N5R, N5RB
	13331-Z8B-900	.....	-	-	-	-	-	-	1	-	-	-	-	3583782 A2R
	13331-Z8B-900	.....	-	-	-	-	-	-	1	-	-	-	-	3855638 BHH, SBT
	13331-Z8B-900	.....	-	-	-	-	-	-	1	-	-	-	-	3882822 N1A, N1AF
	13331-Z8B-900	.....	-	-	-	-	-	-	1	-	-	-	-	A2R, A2R/A, G5AF, G5AF/A, G5MF, G5MF/A, N1A, N1A/A, N5AF, N5AF/A, SBA, SBA/A, SBH, SBH/A, SBT, SBT/A
2	19511-Z0J-900	FAN, COOLING	-	-	1	-	-	-	1	1	-	-	-	A2R, A2R/A, BHH, BHH1, G5AF, G5AF/A, G5MF, G5MF/A, N1A, N1A/A, N1AF, N1L, N2EE, N2KE, N3T8, N5AF, N5AF/A, N5MF, N5R, N5RB, N5RE, NBHT, SBA, SBA/A, SBH, SBH/A, SBHE, SBL, SBT, SBT/A, SBTE
3	19612-Z0L-000	PLATE, SIDE	-	-	1	-	-	-	1	1	-	-	-	A2R, BHH, N1A, N1AF, N5AF, N5MF, N5R
	19612-Z0L-000	.....	-	-	1	-	-	-	1	1	-	-	-	A2R, A2R/A, BHH, BHH1, G5AF, G5AF/A, G5MF, G5MF/A, N1A, N1A/A, N1AF, N1L, N2EE, N2KE, N3T8, N5AF, N5AF/A, N5MF, N5R, N5RB, N5RE, NBHT, SBA, SBA/A, SBH, SBH/A, SBHE, SBL, SBT, SBT/A, SBTE
	19612-Z0L-000	.....	-	-	-	-	-	-	1	-	-	-	-	6702083 A2R, BHH, N1A, N1AF, N5AF, N5MF, N5R



# E-19-3

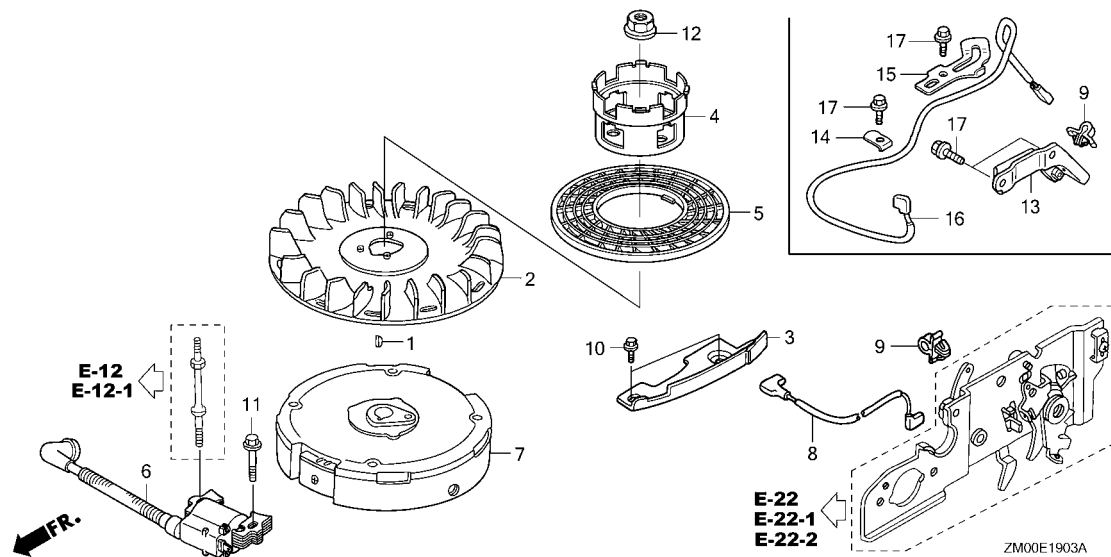
# FLYWHEEL(4)

Ref. No.	Part No.	Description	Reqd. QTY										Serial No.	Parts catalogue code
			GCV 160	GCV 160 A	GCV 160 A0	GCV 160 E	GCV 160 LE	GCV 160 LA	GCV 160 LA0	GCV 160 LA1				
4	28451-Z0J-900	PULLEY, STARTER.....	-	-	1	-	-	-	1	1	-	-	-	A2R, A2R/A, BHH, BHH1, G5AF, G5AF/A, G5MF, G5MF/A, N1A, N1A/A, N1AF, N1L, N2EE, N2KE, N3T8, N5AF, N5AF/A, N5MF, N5R, N5RB, N5RE, NBHT, SBA, SBA/A, SBH, SBH/A, SBHE, SBL, SBT, SBT/A, SBTE
5	28452-Z0J-900	GRID, SCREEN.....	-	-	1	-	-	-	1	1	6702083	-	-	A2R, BHH, N1A, N1AF, N5AF, N5MF, N5R, BHH, BHH1, N3T8, NBHT, SBA, SBA/A, SBH, SBH/A, SBHE, SBL, SBT, SBT/A, SBTE
6	30500-Z8B-912	COIL ASSY., IGNITION(PHELON)·	-	-	1	-	-	-	1	-	-	-	-	G5AF, G5MF, N2EE, N2KE, N3T8, NBHT, SBA, SBH, SBHE, SBL
	30500-Z0J-004	COIL ASSY., IGNITION(TOYO)···	-	-	1	-	-	-	-	-	-	-	-	BHH1, N1L
	30500-Z8B-912	COIL ASSY., IGNITION(PHELON)·	-	-	1	-	-	-	-	-	1938300	-	-	N5RE, SBTE
	30500-Z0J-004	COIL ASSY., IGNITION(TOYO)···	-	-	-	-	-	-	1	-	6702083	-	-	A2R, BHH, N1A, N1AF, N5AF, N5MF, N5R
	30500-Z8B-912	COIL ASSY., IGNITION(PHELON)·	-	-	-	-	-	-	1	-	3541630	-	-	A2R, BHH, N1A, N1AF, N5AF, N5MF, N5R, N5RB, SBT
7	31110-Z0J-014	FLYWHEEL COMP. ....	-	-	1	-	-	-	1	-	-	-	-	A2R, A2R/A, G5AF, G5AF/A, G5MF, G5MF/A, N1A, N1A/A, N5AF, N5AF/A, SBA, SBA/A, SBH, SBH/A, SBT, SBT/A, G5AF, G5MF, N2EE, N2KE, N3T8, NBHT, SBA, SBH, SBHE, SBL
	31110-Z0J-004	.....	-	-	1	-	-	-	-	-	-	-	-	BHH1, N1L
	31110-Z0J-014	.....	-	-	1	-	-	-	-	-	2165933	-	-	N5RE, SBTE
	31110-Z0J-004	.....	-	-	-	-	-	-	1	-	6702083	-	-	N5RE, SBTE
	31110-Z0J-014	.....	-	-	-	-	-	-	1	-	4623619	-	-	A2R, BHH, N1A, N1AF, N5AF, N5MF, N5R, N5RB, SBT
8	32195-Z0L-M90	CORD, STOP SWITCH .....	-	-	1	-	-	-	1	-	-	-	-	A2R, A2R/A, G5AF, G5AF/A, G5MF, G5MF/A, N1A, N1A/A, N5AF, N5AF/A, SBA, SBA/A, SBH, SBH/A, SBT, SBT/A, N2EE, N2KE, N3T8, NBHT, SBA, SBH, SBHE, SBL
	32195-Z0L-900	.....	-	-	1	-	-	-	-	-	-	-	-	BHH1, N1L
	32195-Z0L-M90	.....	-	-	-	-	-	-	1	-	6702083	-	-	A2R, BHH, N1A
	32195-Z0L-900	.....	-	-	-	-	-	-	1	-	3583782	-	-	A2R, BHH, N1A
9	90681-959-003	CLIP A, CABLE(NIFCO) (3.8MM BLACK)	-	-	1	-	-	-	1	1	-	-	-	A2R, A2R/A, N1A, N1A/A, SBA, SBA/A, SBH, SBH/A
	51125-Z0L-003	HOLDER, WIRE(FASTEX).....	-	-	1	-	-	-	1	-	-	-	-	A2R, A2R/A, BHH, BHH1, N1A, N1A/A, N1L, NBHT, SBT, SBTE
	90681-959-003	CLIP A, CABLE(NIFCO) (3.8MM BLACK)	-	-	-	-	-	-	1	-	6702083	-	-	A2R, BHH, N1A, N5R
	51125-Z0L-003	HOLDER, WIRE(FASTEX).....	-	-	-	-	-	-	-	-	1	-	-	A2R, A2R/A, G5AF, G5AF/A, G5MF, G5MF/A, N1A, N1A/A, N5AF, N5AF/A, SBA, SBA/A, SBH, SBH/A, SBT, SBT/A
10	90013-883-000	BOLT, FLANGE, 6X12(CT200)····	-	-	2	-	-	-	2	2	-	-	-	A2R, A2R/A, BHH, BHH1, G5AF, G5AF/A, G5MF, G5MF/A, N1A, N1A/A, N1AF, N1L, N2EE, N2KE, N3T8, N5AF, N5AF/A, N5MF, N5R, N5RB, N5RE, NBHT, SBA, SBA/A, SBH, SBH/A, SBHE, SBL, SBT, SBT/A, SBTE
	90013-883-000	.....	-	-	-	-	-	-	2	-	6702083	-	-	A2R, BHH, N1A, N1AF, N5AF, N5MF, N5R
11	90018-ZE1-000	BOLT, FLANGE, 6X23(CT200)····	-	-	1	-	-	-	1	1	-	-	-	A2R, A2R/A, BHH, BHH1, G5AF, G5AF/A, G5MF, G5MF/A, N1A, N1A/A, N1AF, N1L, N2EE, N2KE, N3T8, N5AF, N5AF/A, N5MF, N5R, N5RB, N5RE, NBHT, SBA, SBA/A, SBH, SBH/A, SBHE, SBL, SBT, SBT/A, SBTE
	90018-ZE1-000	.....	-	-	-	-	-	-	1	-	6702083	-	-	A2R, BHH, N1A, N1AF, N5AF, N5MF, N5R



# E-19-3

# FLYWHEEL(4)

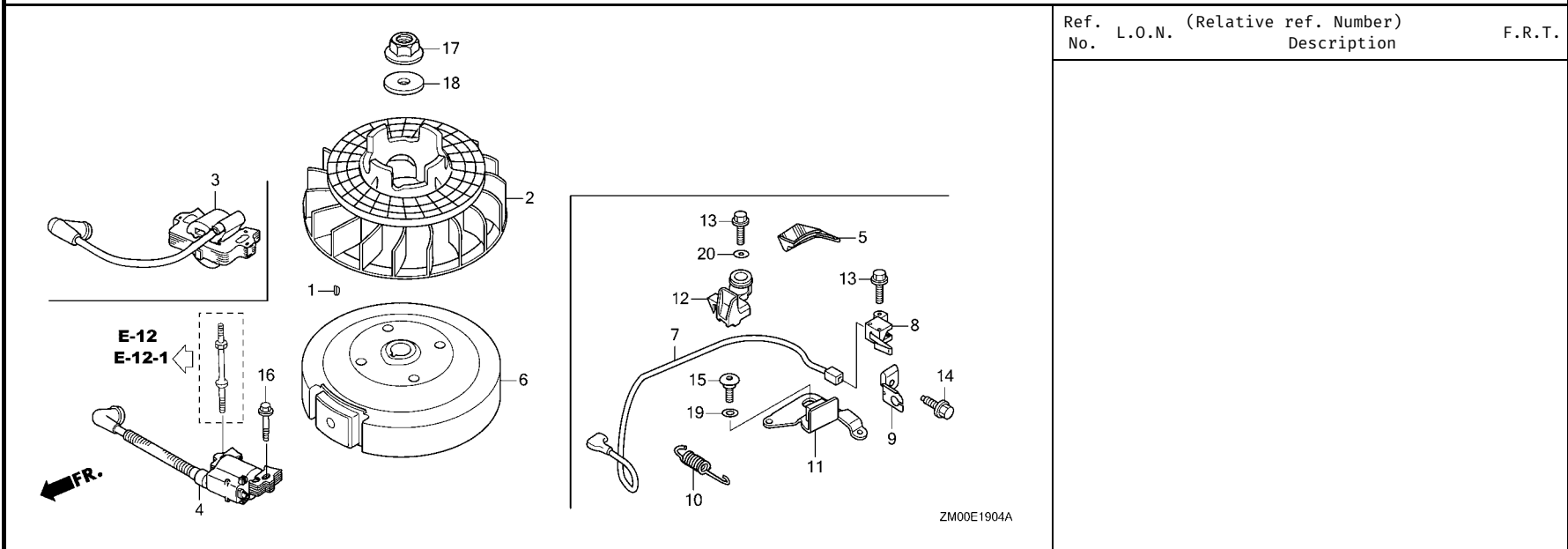


Ref. No.	Part No.	Description	Reqd. QTY										Serial No.	Parts catalogue code
			GCV 160	GCV 160 A	GCV 160 A0	GCV 160 E	GCV 160 LE	GCV 160 LA	GCV 160 LA0	GCV 160 LA1				
12	90201-Z0T-800	NUT, SPECIAL, 14MM .....	-	-	1	-	-	-	1	1	-	-	-	A2R, A2R/A, BHH, BHH1, G5AF, G5AF/A, G5MF, G5MF/A, N1A, N1A/A, N1AF, N1L, N2EE, N2KE, N3T8, N5AF, N5AF/A, N5MF, N5R, N5RB, N5RE, NBHT, SBA, SBA/A, SBH, SBH/A, SBHE, SBL, SBT, SBT/A, SBTE
13	30547-Z0L-S00	CLAMPER, STOP SWITCH CORD ....	-	-	-	-	-	1	-	-	6702083	-	A2R, BHH, N1A, N1AF, N5AF, N5MF, N5R	
14	30548-ZL8-000	CLAMPER, STOP SWITCH CORD ....	-	-	1	-	-	-	1	1	-	-	SBT, SBT/A, SBTE	
15	30549-ZL8-000	CLAMPER, CORD .....	-	-	1	-	-	-	1	1	-	-	SBT, SBT/A, SBTE	
16	32195-Z8B-800	CORD, STOP SWITCH .....	-	-	1	-	-	-	1	1	-	-	SBT, SBT/A, SBTE	
17	90013-883-000	BOLT, FLANGE, 6X12(CT200) ....	-	-	4	-	-	-	4	4	-	-	SBT, SBT/A, SBTE	



# E-19-4

# FLYWHEEL(5)

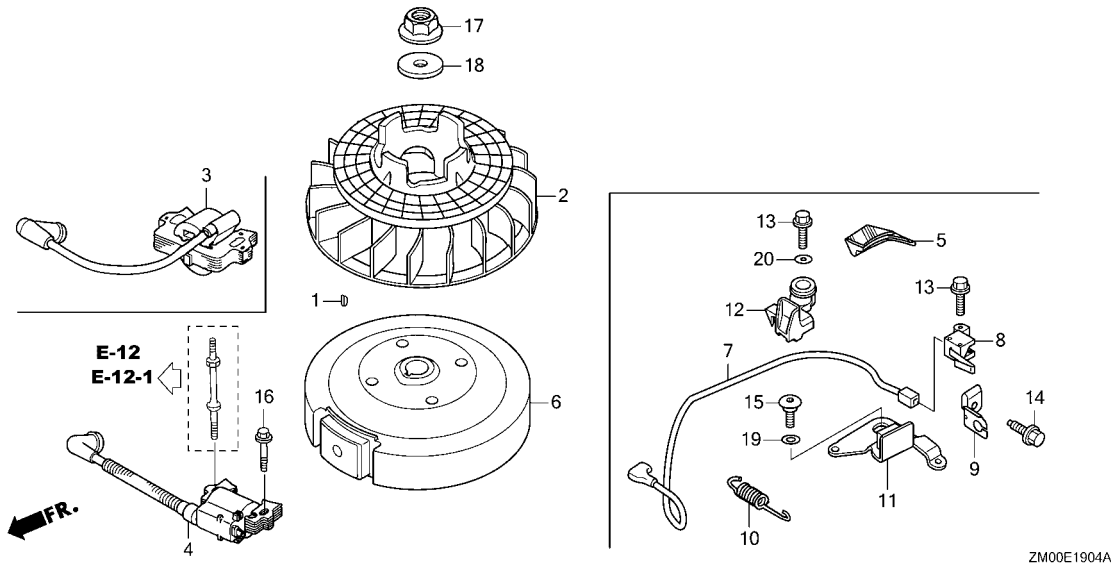


Ref. No.	Part No.	Description	Reqd. QTY									Serial No.	Parts catalogue code
			GCV 160	GCV 160 A	GCV 160 A0	GCV 160 E	GCV 160 LE	GCV 160 LA	GCV 160 LA0	GCV 160 LA1			
1	13331-Z8B-900	KEY, SPECIAL WOODRUFF, 25X18	-	-	1	-	-	-	1	-	-	-	G5B, G5BR, S3AL, S3DB, S3HB, S3LB, S4BB, S4GB, S4HB
	13331-357-000	.....	-	-	-	-	-	-	1	-	-	-	3855637 N5B, N5BR, S3B
	13331-Z8B-900	.....	-	-	-	-	-	-	1	-	-	-	3855638 N5B, N5BR, S3B
			-	-	-	-	-	-	1	-	-	-	G5B, G5B/A, G5BR, G5BR/A, N5B, N5B/A, N5BR, N5BR/A
2	19511-Z8B-900	FAN, COOLING	-	-	1	-	-	-	1	1	-	-	S3B, S3B/A, S3LB, S3LB/A
			-	-	-	-	-	-	-	-	-	-	G5B, G5B/A, G5BR, G5BR/A, N5B, N5B/A, N5BR, N5BR/A
			-	-	-	-	-	-	-	-	-	-	S3AL, S3B, S3B/A, S3DB, S3HB, S3LB, S3LB/A, S4BB
			-	-	-	-	-	-	-	-	-	-	S4GB, S4HB
3	30500-Z8B-902	COIL ASSY., IGNITION(FENGLONG)	-	-	1	-	-	-	1	1	-	-	S3AL, S3B, S3B/A, S3DB, S3HB, S3LB, S3LB/A, S4BB
			-	-	-	-	-	-	-	-	-	-	S4GB, S4HB
	30500-Z8B-903	COIL ASSY., IGNITION(FENIX)	-	-	1	-	-	-	-	1	-	-	S3B, S3B/A, S3DB, S3HB, S3LB, S3LB/A, S4HB
	30500-Z8B-901	COIL ASSY., IGNITION(PHELON)	-	-	1	-	-	-	-	-	-	-	S3AL, S4BB, S4GB
			-	-	-	-	-	-	-	-	-	-	S3B, S3DB, S3LB
			-	-	-	-	-	-	-	-	-	-	9111783 S3B, S3LB
	30500-Z8B-903	COIL ASSY., IGNITION(FENIX)	-	-	-	-	-	-	-	1	-	-	9111784 S3B, S3LB
4	30500-Z8B-912	COIL ASSY., IGNITION(PHELON)	-	-	-	-	-	-	-	1	1	-	G5B, G5B/A, G5BR, G5BR/A, N5B, N5B/A, N5BR, N5BR/A
5	30549-Z8B-900	CLAMPER, CORD	-	-	1	-	-	-	-	1	1	-	S3AL, S3B, S3B/A, S3DB, S3HB, S3LB, S3LB/A, S4BB
			-	-	-	-	-	-	-	-	-	-	S4GB, S4HB
6	31110-Z0Y-003	FLYWHEEL COMP.(FENGLONG)	-	-	1	-	-	-	-	1	-	-	S3AL, S3B, S3B/A, S3DB, S3LB, S3LB/A, S4BB
	31110-Z8B-904	FLYWHEEL COMP.(PHELON)	-	-	1	-	-	-	-	-	-	-	S4BB
	31110-Z8B-901	FLYWHEEL COMP. (HARVEY INDUSTRIES)	-	-	1	-	-	-	-	-	-	-	2290163 S3HB, S4GB, S4HB
	31110-Z8B-904	FLYWHEEL COMP.(PHELON)	-	-	1	-	-	-	-	-	-	-	2290164 S3HB, S4GB, S4HB
	31110-Z0Y-003	FLYWHEEL COMP.(FENGLONG)	-	-	1	-	-	-	-	-	-	-	2350837 S3HB, S4GB, S4HB
	31110-Z8B-911	FLYWHEEL COMP.(KOKUSAN)	-	-	-	-	-	-	1	1	-	-	G5B, G5B/A, G5BR, G5BR/A, N5B, N5B/A, N5BR, N5BR/A
	31110-Z8B-901	FLYWHEEL COMP. (HARVEY INDUSTRIES)	-	-	-	-	-	-	-	-	-	-	4529418 S3B, S3DB, S3LB
	31110-Z8B-904	FLYWHEEL COMP.(PHELON)	-	-	-	-	-	-	-	1	-	-	4529419 S3B, S3DB, S3LB



# E-19-4

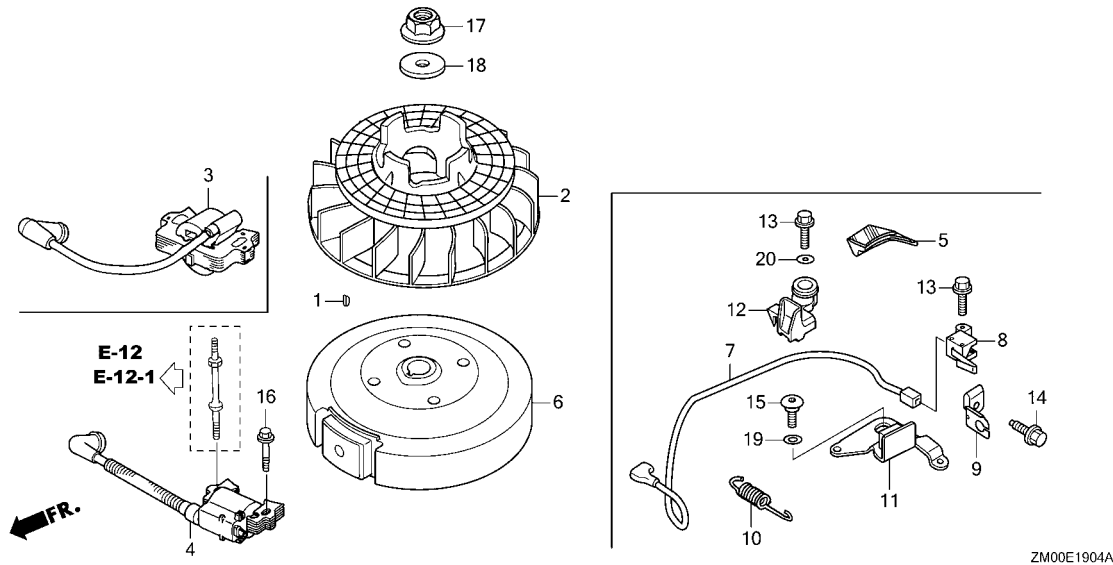
# FLYWHEEL(5)



Ref. No.	Part No.	Description	Reqd. QTY								Serial No.	Parts catalogue code
			GCV 160	GCV 160 A	GCV 160 A0	GCV 160 E	GCV 160 LE	GCV 160 LA	GCV 160 LA0	GCV 160 LA1		
(6)	31110-Z0Y-003	FLYWHEEL COMP.(FENGLONG).....	-	-	-	-	-	-	1	-	7676315	----- S3B,S3DB,S3LB
7	32195-Z8B-901	CORD, STOP SWITCH.....	-	-	1	-	-	-	1	-	----- S3AL,S3DB,S3HB,S3LB,S4BB,S4GB,S4HB	
	32195-Z8B-900	.....	-	-	-	-	-	-	1	-	3551194	----- S3B
	32195-Z8B-901	.....	-	-	-	-	-	-	1	-	3551195	----- S3B
8	35120-Z8B-902	SWITCH ASSY., ENGINE STOP....	-	-	1	-	-	-	1	1	----- S3B,S3B/A,S3LB,S3LB/A	
			-	-	-	-	-	-	-	-	----- S3AL,S3B,S3B/A,S3DB,S3HB,S3LB,S3LB/A,S4BB	
9	43416-Z8B-900	BRACKET, BRAKE CABLE.....	-	-	1	-	-	-	1	1	----- S4GB,S4HB	
			-	-	-	-	-	-	-	-	----- S3AL,S3B,S3B/A,S3DB,S3HB,S3LB,S3LB/A,S4BB	
10	75113-Z8B-900	SPRING, BRAKE LEVER.....	-	-	1	-	-	-	1	1	----- S4GB,S4HB	
			-	-	-	-	-	-	-	-	----- S3AL,S3B,S3B/A,S3DB,S3HB,S3LB,S3LB/A,S4BB	
11	75120-Z8B-901	ARM COMP., BRAKE.....	-	-	1	-	-	-	1	1	----- S4GB,S4HB	
			-	-	-	-	-	-	-	-	----- S3AL,S3B,S3B/A,S3DB,S3HB,S3LB,S3LB/A,S4BB	
12	75573-Z8B-901	SPRING, TENSIONER.....	-	-	1	-	-	-	1	1	----- S4GB,S4HB	
			-	-	-	-	-	-	-	-	----- S3AL,S3B,S3B/A,S3DB,S3HB,S3LB,S3LB/A,S4BB	
13	90001-Z8B-900	BOLT, SPECIAL, 5X16.....	-	-	2	-	-	-	2	2	----- S4GB,S4HB	
			-	-	-	-	-	-	-	-	----- S3AL,S3B,S3B/A,S3DB,S3HB,S3LB,S3LB/A,S4BB	
14	90007-Z8B-900	BOLT, FLANGE, 6X14.....	-	-	1	-	-	-	1	1	----- S4GB,S4HB	
			-	-	-	-	-	-	-	-	----- S3AL,S3B,S3B/A,S3DB,S3HB,S3LB,S3LB/A,S4BB	
15	90009-Z8B-900	BOLT, SPECIAL.....	-	-	1	-	-	-	1	1	----- S4GB,S4HB	
			-	-	-	-	-	-	-	-	----- S3AL,S3B,S3B/A,S3DB,S3HB,S3LB,S3LB/A,S4BB	
16	90018-ZE1-000	BOLT, FLANGE, 6X23(CT200)....	-	-	1	-	-	-	1	1	----- S4GB,S4HB	
			-	-	-	-	-	-	-	-	----- G5B,G5B/A,G5BR,G5BR/A,N5B,N5B/A,N5BR,N5BR/A	
			-	-	-	-	-	-	-	-	----- S3AL,S3B,S3B/A,S3DB,S3HB,S3LB,S3LB/A,S4BB	
17	90201-Z0T-800	NUT, SPECIAL, 14MM.....	-	-	1	-	-	-	1	1	----- S4GB,S4HB	
			-	-	-	-	-	-	-	-	----- G5B,G5B/A,G5BR,G5BR/A,N5B,N5B/A,N5BR,N5BR/A	
			-	-	-	-	-	-	-	-	----- S3AL,S3B,S3B/A,S3DB,S3HB,S3LB,S3LB/A,S4BB	
			-	-	-	-	-	-	-	-	----- S4GB,S4HB	

# E-19-4

# FLYWHEEL(5)



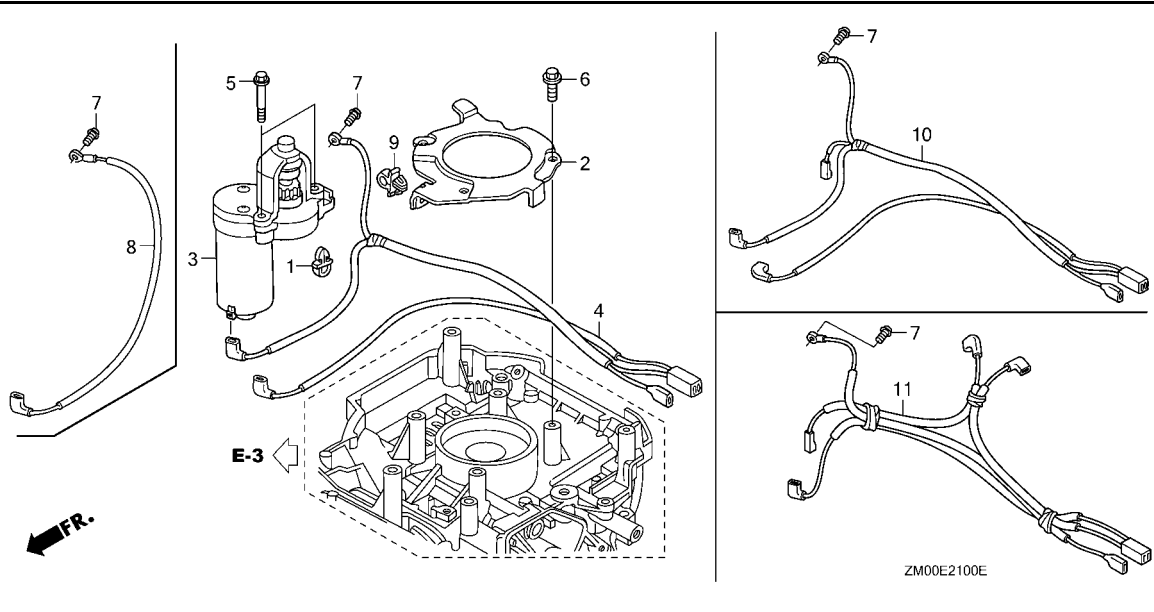
Ref. No.	Part No.	Description	Reqd. QTY									Serial No.	Parts catalogue code
			GCV 160	GCV 160 A	GCV 160 A0	GCV 160 E	GCV 160 LE	GCV 160 LA	GCV 160 LA0	GCV 160 LA1			
18	90401-Z8B-900	WASHER, 14X45 .....	-	-	1	-	-	-	1	1	-----	G5B, G5B/A, G5BR, G5BR/A, N5B, N5B/A, N5BR, N5BR/A, S3AL, S3B, S3B/A, S3DB, S3HB, S3LB, S3LB/A, S4BB, S4GB, S4HB	
19	90402-Z8B-900	WASHER, SPECIAL .....	-	-	1	-	-	-	1	1	-----	S3AL, S3B, S3B/A, S3DB, S3HB, S3LB, S3LB/A, S4BB, S4GB, S4HB	
20	94103-05800	WASHER, PLAIN, 5MM .....	-	-	1	-	-	-	1	1	-----	S3AL, S3B, S3B/A, S3DB, S3HB, S3LB, S3LB/A, S4BB, S4GB, S4HB	





# E-21

# STARTER MOTOR



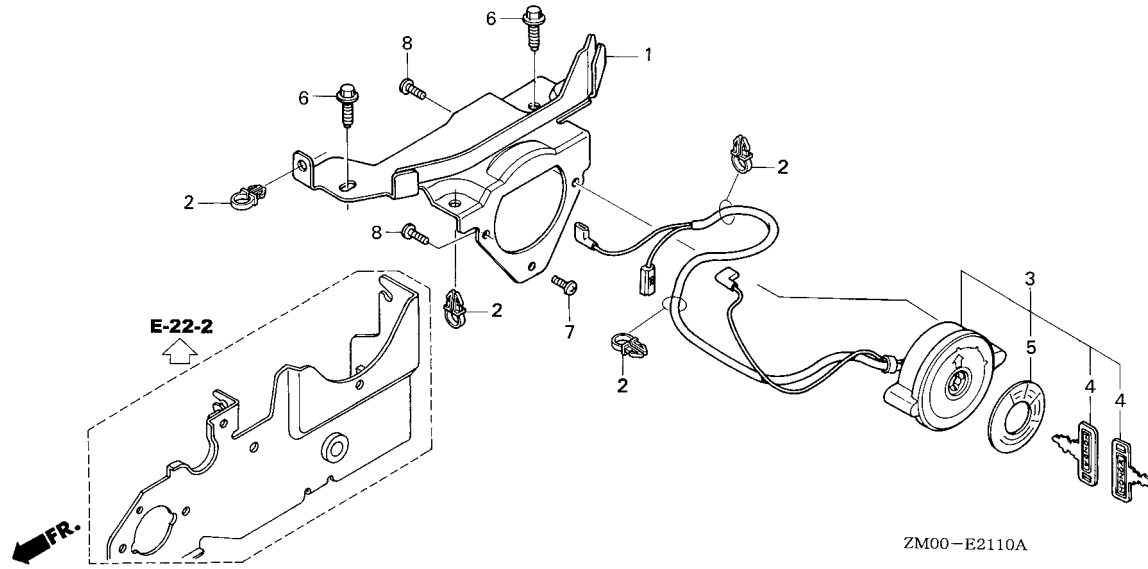
Ref. L.O.N. (Relative ref. Number) F.R.T.  
 No. Description

Ref. No.	Part No.	Description	Reqd. QTY							Serial No.	Parts catalogue code
			GCV 160	GCV 160 A	GCV 160 A0	GCV 160 E	GCV 160 LE	GCV 160 LA	GCV 160 LA0		
1	22534-Z0L-820	HOLDER, WIRE	-	1	1	-	-	1	1	-	C1E, C1E1, C2E, C2E1, C3E, C3E1, C4E, C4E1, E1A2, E1G7, E2G7, EHHB, R1A, R3A, R3A1, R3L, R3LE, RTL1
2	30549-Z0L-820	CLAMPER, CORD	-	1	1	-	-	1	1	-	C1E, C1E1, C2E, C2E1, C3E, C3E1, C4E, C4E1, E1A2, E1A4, E1G7, E2G7, E5A4, EHHB, R1A, R3A, R3A1, R3L, R3LE, RTL1
3	31200-Z0L-821	MOTOR ASSY., STARTER	-	1	1	-	-	1	-	-	C1E, C1E1, C2E, C2E1, C3E, C3E1, C4E, C4E1, E1A2, E1A4, E1G7, E2G7, E5A4, EHHB, R1A, R3A, R3A1, RTL1
	31200-Z0L-822	.....	-	-	1	-	-	-	1	-	R3A, R3L, R3LE
	31200-Z0L-821	.....	-	-	-	-	-	-	1	-	E1A2
4	32222-Z0L-820	CORD, TERMINAL EARTH	-	1	1	-	-	1	1	-	E1A2, E1G7, E2G7, R1A, R3A, R3A1, R3L, R3LE
5	90001-Z0L-820	BOLT, SPECIAL, 6MM	-	2	2	-	-	2	2	-	C1E, C1E1, C2E, C2E1, C3E, C3E1, C4E, C4E1, E1A2, E1A4, E1G7, E2G7, E5A4, EHHB, R1A, R3A, R3A1, R3L, R3LE, RTL1
6	90013-883-000	BOLT, FLANGE, 6X12(CT200)	-	3	3	-	-	3	3	-	C1E, C1E1, C2E, C2E1, C3E, C3E1, C4E, C4E1, E1A2, E1A4, E1G7, E2G7, E5A4, EHHB, R1A, R3A, R3A1, R3L, R3LE, RTL1
7	93500-05008-0A	SCREW, PAN, 5X8	-	1	1	-	-	1	1	-	C1E, C1E1, C2E, C2E1, C3E, C3E1, C4E, C4E1, E1A2, E1A4, E1G7, E2G7, E5A4, EHHB, R1A, R3A, R3A1, R3L, R3LE, RTL1
8	32222-Z0L-830	CORD, TERMINAL EARTH	-	1	-	-	-	-	-	-	E1A4, E5A4, EHHB
9	22534-Z0L-820	HOLDER, WIRE	-	1	1	-	-	-	-	-	C1E, C1E1, C2E, C2E1, C3E, C3E1, C4E, C4E1
	51125-Z0L-003	HOLDER, WIRE(FASTEX)	-	1	-	-	-	1	1	-	E1A2
	90681-959-003	CLIP A, CABLE(NIFCO) (3.8MM BLACK)	-	1	-	-	-	-	-	-	E1A2, RTL1
	51125-Z0L-003	HOLDER, WIRE(FASTEX)	-	-	1	-	-	1	1	-	E1A2, E2G7, R3A, R3L, R3LE
10	32222-Z0L-S10	CORD, TERMINAL EARTH	-	1	-	-	-	-	-	-	C3E
11	32223-Z0L-820	CORD, COMBINATION	-	1	1	-	-	-	-	-	RTL1
			-	1	1	-	-	-	-	-	C1E, C1E1, C2E, C2E1, C3E, C3E1, C4E, C4E1



# E-21-10

# COMBINATION SWITCH



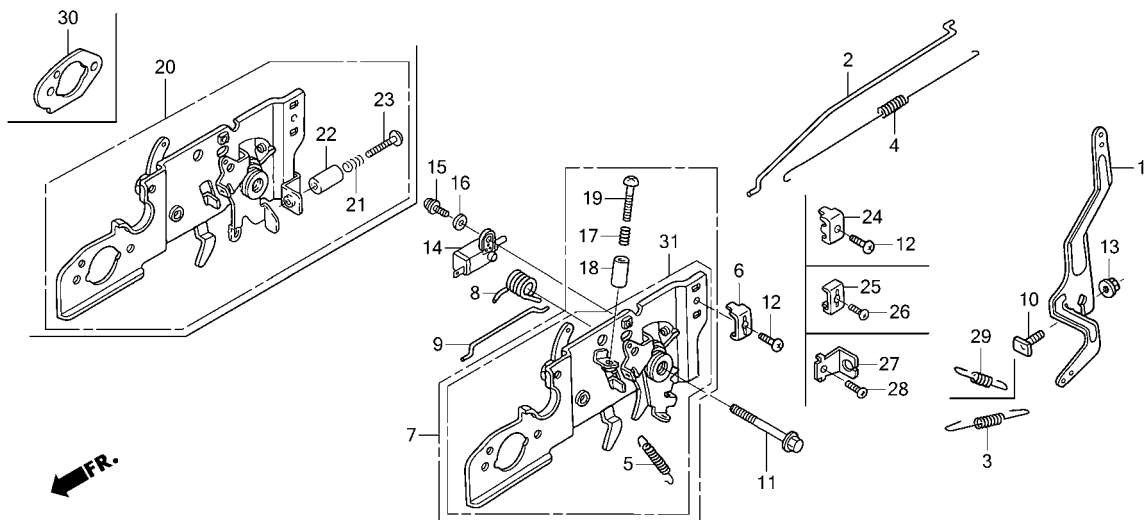
Ref. No. L.O.N. (Relative ref. Number) Description F.R.T.

Ref. No.	Part No.	Description	Reqd. QTY									Serial No.	Parts catalogue code
			GCV 160	GCV 160 A	GCV 160 A0	GCV 160 E	GCV 160 LE	GCV 160 LA	GCV 160 LA0	GCV 160 LA1			
1	19612-Z0L-830	PLATE, SIDE.....	-	1	-	-	-	-	-	-	-	-----	E1A4, E5A4
2	22534-Z0L-820	HOLDER, WIRE.....	-	4	-	-	-	-	-	-	-	-----	E1A4, E5A4
3	35100-Z0L-831	SWITCH ASSY., COMBINATION.....	-	1	-	-	-	-	-	-	-	-----	E1A4, E5A4
4	35111-Z0L-830	KEY, COMBINATION SWITCH.....	-	2	-	-	-	-	-	-	-	-----	E1A4, E5A4
5	87501-Z0L-830	MARK, ENGINE SWITCH.....	-	1	-	-	-	-	-	-	-	-----	E1A4, E5A4
6	90013-883-000	BOLT, FLANGE, 6X12(CT200).....	-	2	-	-	-	-	-	-	-	-----	E1A4, E5A4
7	93500-05010-0A	SCREW, PAN, 5X10.....	-	1	-	-	-	-	-	-	-	-----	E1A4, E5A4
8	93500-05012-0A	SCREW, PAN, 5X12.....	-	2	-	-	-	-	-	-	-	-----	E1A4, E5A4



E-22

CONTROL(1)



Ref. L.O.N. (Relative ref. Number) F.R.T.  
No. Description

Ref. No.	Part No.	Description	Reqd. QTY								Serial No.	Parts catalogue code	
			GCV 160	GCV 160 A	GCV 160 A0	GCV 160 E	GCV 160 LE	GCV 160 LA	GCV 160 LA0	GCV 160 LA1			
1	16551-ZM0-010	ARM, GOVERNOR .....	1	-	-	-	1	-	-	-	-	-	A1E7, A1E8, A1G7, A1W7, A2A9, A2E7, A2E8, A2E9, A2G7, A4A9, A7E1, A7H1, N1E7, N1J1, N1R, N1W7, N1W8, N1W9, N2E7, N2E8, N2E9, N3U, N7A1
	16551-ZM0-000	.....	1	-	-	-	-	-	-	-	-	-	A1J, A1U, A2U, A4E, N2D, N2E2
	16551-ZM0-010	.....	1	-	-	-	-	-	-	-	2299007	-	A1A, A1C, A1E, A1P, A1W2, A2A, A2C, A2E, A2E4, A3E, N1N1D, N1E1, N1E2, N1U, N1W, N1W1, N1W2, N2, N2E, N2E1, N2E3, N2U, N3V
			-	1	1	1	-	1	-	-	-	-	A1A, A1AS, A1AW, A1C, A1E, A1E7, A1E8, A1G7, A1G9, A1M1P, A1UV, A1W7, A2A, A2A9, A2C, A2E7, A2E8, A2E9, A2G4, A2G7, A2G9, A2UA, A3E, A3E7, A3E9, A3G7, A3G9, A3HV, A3T9, A3W7, A3W8, A4EV, A4G4, A4G7, A4G9, A7E1, A7Q1, A7Q1/A, BHH, BHH1, C1E, C1E1, C2E, C2E1, C3E, C3E1, C4E, C4E1, E1G7, E2G7, EHHB, N1D, N1E1, N1E2, N1E7, N1J1, N1R, N1T8, N1T9, N1U, N1U/A, N1W7, N1W8, N1W9, N2E7, N2E8, N2E9, N2EE, N2KE, N2U, N3T8, N3T9, N3U, N3V, N3W8, N3W9, N7A1, N7S1, NBHT, NBL1, R3LE, S1E1, S1G4, S2E, S2E1, S2E2, S2E3, S2G7, S3E9, S3G9, S3HB, S3LE, S4E4, S4E9, S4G4, S4G7, S4G9, S4H4, S4LE, SBHE
			-	-	-	-	-	-	-	1	-	-	A1A, A2R, A7H1, BHH, N5AF, N5MF, N5R, N5RB, N7A1, N7S1, R3A, R3L, S1A, S1M, S3A, S3DB, S3H, S3L, S3LB, S3T, SBA, SBH, SBL, SBT
			-	-	-	-	-	-	-	-	1	-	A1A, A1A/A, A7H1, A7H1/A, A7X1, S3B, S3B/A, S3LB, S3LB/A, SBA, SBA/A, SBH, SBH/A, SBT, SBT/A

ZM00E2200K



E-22

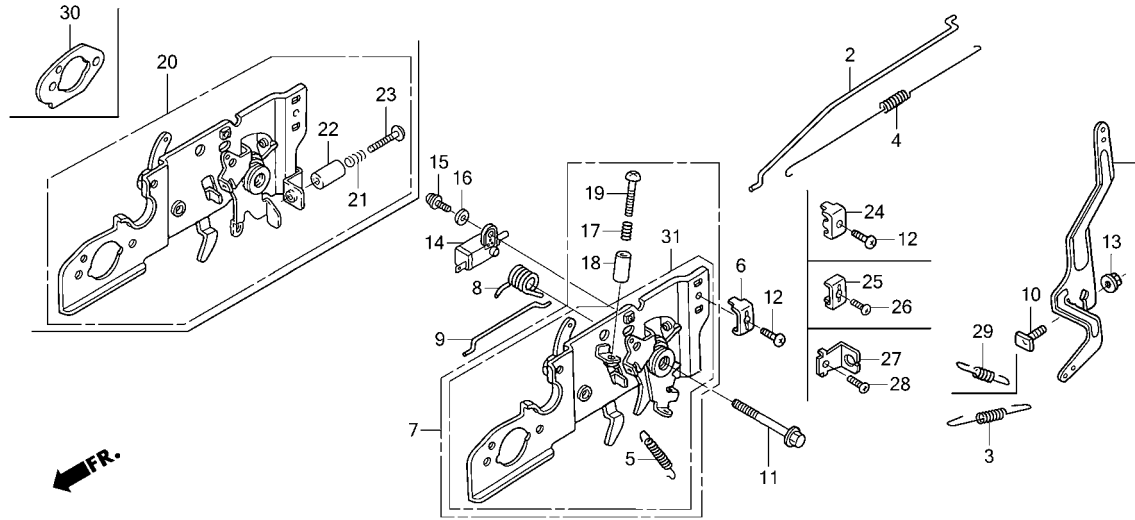
CONTROL(1)

Ref. No.	Part No.	Description	Reqd. QTY										Serial No.	Parts catalogue code		
			GCV 160	GCV 160 A	GCV 160 A0	GCV 160 E	GCV 160 LE	GCV 160 LA	GCV 160 LA0	GCV 160 LA1						
2	16555-ZM0-000	ROD, GOVERNOR .....	1	-	-	1	1	-	-	-	-	-	-	-	-	A1A, A1C, A1E, A1E7, A1E8, A1G7, A1G9, A1J, A1P, A1U A1W2, A1W7, A2A, A2A9, A2C, A2E, A2E4, A2E7, A2E8 A2E9, A2G4, A2G7, A2G9, A2U, A3E, A3E7, A3E9, A3G9 A3HV, A3T9, A3W7, A3W8, A4A9, A4E, A4EV, A4G4, A4G7 A4G9, A7E1, A7H1, A7Q1, N1, N1D, N1E1, N1E2, N1E7 N1J1, N1R, N1T8, N1T9, N1U, N1W, N1W1, N1W2, N1W7 N1W8, N1W9, N2, N2D, N2E, N2E1, N2E2, N2E3, N2E7, N2E8 N2E9, N2EE, N2U, N3T8, N3T9, N3U, N3V, N3W8, N3W9 N7A1, S1G4, S2E2, S2E3, S3E9, S3G9, S4E4, S4E9, S4G4 S4G9, S4H4
	16555-Z0L-800	.....	-	1	-	-	-	-	-	-	-	-	-	-	-	A1A, A1AW, A1C, A1E, A1E8, A1W7, A2A, A2C, A2E8, A2E9 A2G7, A3E, A7E1, BHH, E1G7, E2G7, EHHB, N1E1, N1E7 N1W7, N1W8, N1W9, N2E7, N2E8, N2E9, N7A1, N7S1
	16555-Z0L-801	.....	-	1	-	-	-	-	-	-	-	-	6349022	-	-	A1AS, A1E7, A1M, A2E7, BHH1, C1E, C1E1, C2E, C2E1, C3E C3E1, C4E, C4E1, N1R, N1U, N2U, N3U, N3V, NBL1, S2G7
	16555-Z0L-801	.....	-	1	-	-	-	-	-	-	-	-	6349023	-	-	A1AS, A1E7, A1M, A2E7, BHH1, C1E, C1E1, C2E, C2E1, C3E C3E1, C4E, C4E1, N1R, N1U, N2U, N3U, N3V, NBL1, S2G7 A1AW, A1E7, A1G7, A1M, A1UV, A2E7, A2UA, A3G7, A3HV A3T9, A4G4, A4G7, A7Q1, A7Q1/A, BHH1, C1E, C1E1, C2E C2E1, C3E, C3E1, C4E, C4E1, E2G7, N1R, N1U, N1U/A N2EE, N2KE, N2U, N3T8, N3U, N3V, NBHT, R3LE, S2G7 S3HB, S3LE, S4G7, S4LE, SBHE
	16555-Z0L-800	.....	-	-	-	1	-	-	-	-	-	-	2441644	-	-	S1E1, S2E, S2E1
	16555-Z0L-801	.....	-	-	-	1	-	-	-	-	-	-	2441645	-	-	S1E1, S2E, S2E1
	16555-Z0L-800	.....	-	-	-	-	-	-	1	-	-	-	6349022	-	-	A1A, BHH, N7A1, N7S1
	16555-Z0L-801	.....	-	-	-	-	-	-	1	-	-	-	6349023	-	-	A1A, BHH, N7A1, N7S1
	16555-Z0L-800	.....	-	-	-	-	-	-	-	1	-	-	-	-	-	A1A, A7H1, BHH, N7A1, N7S1, R3A, R3L, S1A, S1M, S3A S3DB, S3H, S3L, S3LB, S3T, SBA, SBH, SBL, SBT
	16555-Z0L-800	.....	-	-	-	-	-	-	-	-	1	-	-	-	-	A1A, A1A/A, A7H1, A7H1/A, A7X1, S3B, S3B/A, S3LB S3LB/A, SBA, SBA/A, SBH, SBH/A, SBT, SBT/A
3	16561-ZM0-V30	SPRING, GOVERNOR .....	1	1	-	1	1	1	-	-	-	-	-	-	-	A7E1, A7H1, A7Q1, N7A1, N7S1
	16561-ZM0-870	SPRING, GOVERNOR(L=73MM) .....	1	1	-	-	-	-	-	-	-	-	-	-	-	A1E7, A1E8, A1G7, A1W7, A2E7, A2E8, A2E9, A2G7, C1E C1E1, C2E, C2E1, C3E, C3E1, C4E, C4E1, E1G7, E2G7 N1E7, N1W7, N1W8, N1W9, N2E7, N2E8, N2E9, S2G7
	16561-ZM0-000	SPRING, GOVERNOR .....	1	-	-	-	-	-	-	-	-	-	-	-	-	A1A, A1C, A1E, A1J, A1P, A1U, A1W2, A2A, A2C, A2E, A2E4 A2U, A3E, A4E, N1, N1D, N1E1, N1E2, N1J1, N1R, N1U, N1W N1W1, N1W2, N2, N2D, N2E, N2E1, N2E2, N2E3, N2U, N3U N3V
	16561-Z0L-000	SPRING, GOVERNOR(L=69MM) .....	-	1	-	-	-	1	-	1	-	-	-	-	-	A1A, A1A/A, A1AS, A1AW, A1C, A1E, A1M, A2A, A2C, A3E BHH, BHH1, N1E1, N1R, N1U, N2U, N3U, N3V, NBL1, SBA SBA/A, SBH, SBH/A, SBT, SBT/A
	16561-ZM0-000	SPRING, GOVERNOR .....	-	1	-	-	-	-	-	-	-	-	-	-	-	EHHB
	16561-Z8B-V30	.....	-	-	1	-	-	-	-	1	1	-	-	-	-	A7H1, A7H1/A, A7Q1, A7Q1/A
	16561-Z0L-000	SPRING, GOVERNOR(L=69MM) .....	-	-	1	-	-	-	-	-	-	-	-	-	-	A1AW, A1E7, A1G7, A1M, A1UV, A2UA, A3G7, A3HV, A3T9 A4G4, A4G7, BHH1, N1R, N1U, N1U/A, N2EE, N2KE, N2U N3T8, N3U, N3V, NBHT, R3LE, S3LE, S4G7, S4LE, SBHE
	16561-ZM0-870	SPRING, GOVERNOR(L=73MM) .....	-	-	1	-	-	-	-	-	-	-	-	-	-	A1E7, A2E7, C1E, C1E1, C2E, C2E1, C3E, C3E1, C4E, C4E1 E2G7, S2G7
	16561-Z0L-000	SPRING, GOVERNOR(L=69MM) .....	-	-	1	-	-	-	-	-	-	-	3228428	-	-	S3HB
	16561-Z0L-900	SPRING, GOVERNOR .....	-	-	1	-	-	-	-	-	-	-	3228429	-	-	S3HB
	16561-Z1L-870	.....	-	-	-	1	1	-	-	-	-	-	-	-	-	A1E7, A1E8, A1G7, A1G9, A1W7, A2A9, A2E7, A2E8, A2E9 A2G4, A2G7, A2G9, A3E7, A3E9, A3G9, A3HV, A3T9, A3W7 A3W8, A4A9, A4EV, A4G4, A4G7, A4G9, N1E7, N1W7, N1W8 N1W9, N2E7, N2E8, N2E9, N2EE, N3W8, N3W9, S1E1, S1G4 S2E, S2E1, S2E2, S2E3, S3E9, S3G9, S4E4, S4E9, S4G4 S4G9, S4H4
	16561-ZM0-000	.....	-	-	-	1	-	-	-	-	-	-	-	-	-	A1P, N1D, N1E1, N1E2, N1J1, N1R
	16561-ZM0-870	SPRING, GOVERNOR(L=73MM) .....	-	-	-	1	-	-	-	-	-	-	-	-	-	N1T8, N1T9, N3T8, N3T9



E-22

CONTROL(1)



ZM00E2200K

Ref. No.	Part No.	Description	Reqd. QTY										Serial No.	Parts catalogue code	
			GCV 160	GCV 160 A	GCV 160 A0	GCV 160 E	GCV 160 LE	GCV 160 LA	GCV 160 LA0	GCV 160 LA1					
(3)	16561-Z0L-000	SPRING, GOVERNOR(L=69MM).....	-	-	-	-	-	-	-	-	1	-	-----	A1A, BHH, R3A, R3L, S1A, S1M, S3A, S3DB, S3H, S3L, S3T SBA, SBH, SBL, SBT	
	16561-ZM0-V30	SPRING, GOVERNOR.....	-	-	-	-	-	-	-	-	1	-	-----	1827724 N7A1, N7S1	
	16561-Z0L-000	SPRING, GOVERNOR(L=69MM).....	-	-	-	-	-	-	-	-	1	-	-----	7480466 S3LB	
	16561-Z8B-V30	SPRING, GOVERNOR.....	-	-	-	-	-	-	-	-	1	-	-----	1827725 N7A1, N7S1	
	16561-Z0L-900	.....	-	-	-	-	-	-	-	-	1	-	-----	7480467 S3LB	
4	16562-ZM0-000	SPRING, THROTTLE RETURN.....	1	1	1	1	1	1	-	-	-	1	-	-----	S3B, S3B/A, S3LB, S3LB/A A1A, A1AS, A1AW, A1C, A1E, A1E7, A1E8, A1G7, A1G9, A1J A1M, A1P, A1U, A1UV, A1W2, A1W7, A2A, A2A9, A2C, A2E A2E4, A2E7, A2E8, A2E9, A2G4, A2G7, A2G9, A2U, A2UA A3E, A3E7, A3E9, A3G7, A3G9, A3HV, A3T9, A3W7, A3W8 A4A9, A4E, A4EV, A4G4, A4G7, A4G9, A7E1, A7H1, A7Q1 A7Q1/A, BHH, BHH1, C1E, C1E1, C2E, C2E1, C3E, C3E1 C4E, C4E1, E1G7, E2G7, EHHB, N1, N1D, N1E1, N1E2, N1E7 N1J1, N1R, N1T8, N1T9, N1U, N1U/A, N1W, N1W1, N1W2 N1W7, N1W8, N1W9, N2, N2D, N2E, N2E1, N2E2, N2E3, N2E7 N2E8, N2E9, N2EE, N2KE, N2U, N3T8, N3T9, N3U, N3V N3W8, N3W9, N7A1, N7S1, NBHT, NBL1, R3LE, S1E1, S1G4 S2E, S2E1, S2E2, S2E3, S2G7, S3E9, S3G9, S3HB, S3LE S4E4, S4E9, S4G4, S4G7, S4G9, S4H4, S4LE, SBHE ----- A1A, A7H1, BHH, N7A1, N7S1, R3A, R3L, S1A, S1M, S3A S3DB, S3H, S3L, S3LB, S3T, SBA, SBH, SBL, SBT ----- A1A, A1A/A, A7H1, A7H1/A, A7X1, S3B, S3B/A, S3LB S3LB/A, SBA, SBA/A, SBH, SBH/A, SBT, SBT/A



**E-22**

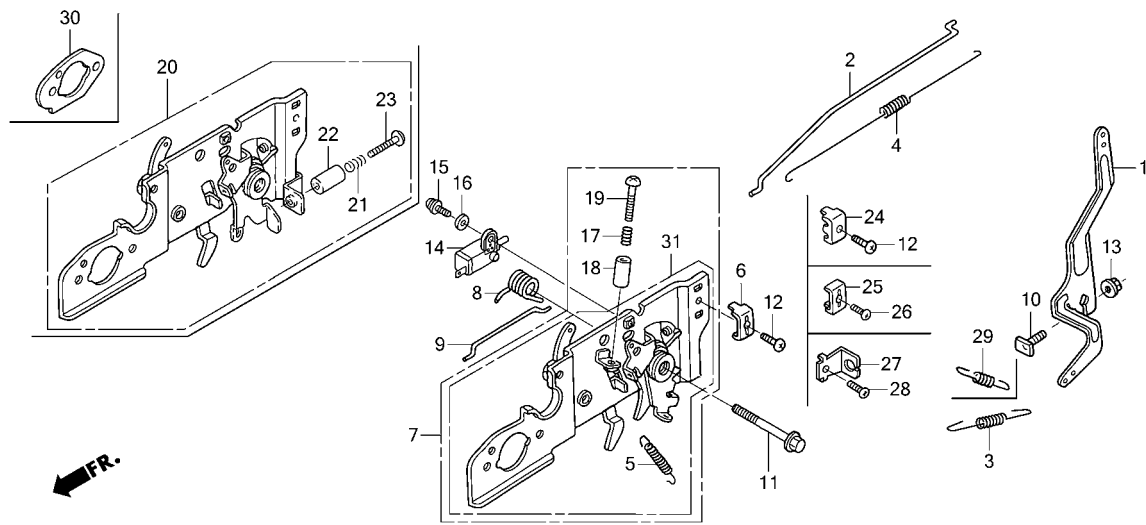
**CONTROL(1)**

Ref. No.	Part No.	Description	Reqd. QTY								Serial No.	Parts catalogue code
			GCV 160	GCV 160 A	GCV 160 A0	GCV 160 E	GCV 160 LE	GCV 160 LA	GCV 160 LA0	GCV 160 LA1		
5	16576-ZE7-300	SPRING, LEVER .....	1	1	-	1	1	1	1	1	-----	A1A, A1A/A, A1AS, A1AW, A1C, A1E, A1E7, A1E8, A1G7, A1G9, A1J, A1M, A1P, A1U, A1W2, A1W7, A2A, A2A9, A2C, A2E, A2E4, A2E7, A2E8, A2E9, A2G4, A2G7, A2G9, A2U, A3E, A3E7, A3E9, A3G9, A3HV, A3T9, A3W7, A3W8, A4A9, A4E, A4EV, A4G4, A4G7, A4G9, BHH, BHH1, C1E, C1E1, C2E, C2E1, C3E, C3E1, C4E, C4E1, E1G7, E2G7, EHHB, N1, N1D, N1E1, N1E2, N1E7, N1J1, N1R, N1T8, N1T9, N1U, N1W, N1W1, N1W2, N1W7, N1W8, N1W9, N2, N2D, N2E, N2E1, N2E2, N2E3, N2E7, N2E8, N2E9, N2EE, N2U, N3T8, N3T9, N3U, N3V, N3W8, N3W9, NBL1, S1G4, S2E3, S3G9, S4G4, S4G9, SBA, SBA/A, SBH, SBH/A, SBL
			-	-	1	-	-	-	-	-	-----	A1AW, A1E7, A1G7, A1UV, A2E7, A2UA, A3G7, A3HV, A3T9, A4G4, A4G7, BHH1, C1E, C1E1, C2E, C2E1, C3E, C3E1, C4E, C4E1, E2G7, N1R, N1U, N1U/A, N2EE, N2KE, N2U, N3T8, N3U, N3V, NBHT, S4G7, SBHE
6	16576-891-000	HOLDER, CABLE .....	1	1	-	-	-	-	-	-	-----	A1J, A1U, A2U, A4E, BHH, N2D, N2E2
			1	-	-	-	-	-	-	-	2439633	A1A, A1C, A1E, A1E7, A1E8, A1G7, A1P, A1W2, A1W7, A2A, A2C, A2E, A2E4, A2E7, A2E8, A2E9, A2G7, A3E, A7E1, N1, N1D, N1E1, N1E2, N1E7, N1J1, N1R, N1U, N1W, N1W1, N1W2, N1W7, N1W8, N1W9, N2, N2E, N2E1, N2E3, N2E7, N2E8, N2E9, N2U, N3U, N3V, N7A1
			-	-	-	1	-	-	-	-	1239887	A1E7, A1E8, A1G7, A1W7, A2E7, A2E8, A2E9, A2G7, A2G9, A3E7, A7E1, N1E7, N1W7, N1W8, N1W9, N2E7, N2E8, N2E9, N7A1
7	16580-ZM0-871	BASE COMP., CONTROL .....	1	1	-	-	-	-	-	-	-----	A1E7, A1E8, A1G7, A2E7, A2E8, A2E9, A2G7, C1E, C1E1, C2E, C2E1, E1G7, E2G7
	16580-ZM1-J41	.....	1	1	-	-	-	-	-	-	-----	A1W7
	16580-ZM0-J61	.....	1	1	-	-	-	-	-	-	-----	BHH1, N1W9
	16580-ZM0-J22	.....	1	1	-	-	-	-	-	-	-----	EHHB, N1J1, N1W2
	16580-ZM0-V90	.....	1	1	-	-	-	-	-	-	-----	N1R
	16580-ZM1-J01	.....	1	-	-	-	-	-	-	-	-----	A1W2
	16580-ZM0-020	.....	1	-	-	-	-	-	-	-	-----	A2E4
	16580-ZM0-881	.....	1	-	-	-	-	-	-	-	-----	N1E7, N1W7, N2E7, N2E8, N2E9
	16580-ZM0-802	.....	1	-	-	-	-	-	-	-	-----	N1W, N1W1, N3U, N3V
	16580-ZM0-880	.....	1	-	-	-	-	-	-	-	-----	N1W8
	16580-ZM0-000	.....	1	-	-	-	-	-	-	-	1177559	A1A, A1C, A1E, A1J, A1P, A1U, A2A, A2C, A2E, A2U, A3E, A4E, N1, N2
	16580-ZM0-800	.....	1	-	-	-	-	-	-	-	1177559	N1D, N1E1, N1E2, N1U, N2D, N2E, N2E1, N2E2, N2E3, N2U
	16580-ZM0-020	.....	1	-	-	-	-	-	-	-	1177560	A1A, A1C, A1E, A1J, A1P, A1U, A2A, A2C, A2E, A2U, A3E, A4E, N1, N2
	16580-ZM0-802	.....	1	-	-	-	-	-	-	-	1177560	N1D, N1E1, N1E2, N1U, N2D, N2E, N2E1, N2E2, N2E3, N2U
	16580-ZM0-J23	.....	-	1	-	1	-	1	-	-	-----	BHH, N1J1, NBL1
	16580-ZM0-030	.....	-	1	-	-	-	1	-	-	-----	A1A, A1AS, A1AW, A1M
	16580-ZM0-020	.....	-	1	-	-	-	-	-	-	-----	A1C, A1E, A2A, A2C, A3E
	16580-ZM0-872	.....	-	1	-	-	-	-	-	-	-----	C3E, C3E1, C4E, C4E1
	16580-ZM0-802	.....	-	1	-	-	-	-	-	-	-----	N1E1
	16580-ZM0-881	.....	-	1	-	-	-	-	-	-	-----	N1E7, N1W7, N1W8, N2E7, N2E8, N2E9
	16580-ZM0-803	.....	-	1	-	-	-	-	-	-	-----	N1U, N2U, N3U, N3V
			-	-	1	1	-	-	-	-	-----	N1D, N1E1, N1E2, N3V
	16580-ZM0-872	.....	-	-	1	-	-	-	-	-	-----	A1E7, A2E7, C1E, C1E1, C2E, C2E1, C3E, C3E1, C4E, C4E1, E2G7
	16580-ZM0-030	.....	-	-	1	-	-	-	-	-	-----	A1M
	16580-ZM0-J62	.....	-	-	1	-	-	-	-	-	-----	BHH1
	16580-ZM0-V91	.....	-	-	1	-	-	-	-	-	-----	N1R
	16580-Z0L-880	.....	-	-	1	-	-	-	-	-	-----	N2EE, N2KE, NBHT
	16580-ZM0-030	.....	-	-	1	-	-	-	-	-	1488644	A1AW
	16580-ZM0-803	.....	-	-	1	-	-	-	-	-	1488644	N1U, N2U, N3U



E-22

CONTROL(1)



ZM00E2200K

Ref. No.	Part No.	Description	Reqd. QTY								Serial No.	Parts catalogue code	
			GCV 160	GCV 160 A	GCV 160 A0	GCV 160 E	GCV 160 LE	GCV 160 LA	GCV 160 LA0	GCV 160 LA1			
(7)	16580-ZM0-871	BASE COMP., CONTROL.....	-	-	-	1	1	-	-	-	-----	2352103	A1E7, A1E8, A1G7, A1G9, A2A9, A2E7, A2E8, A2E9, A2G4, A2G7, A2G9, A3E7, A3E9, A3W7, A3W8
	16580-ZM0-872	.....	-	-	-	1	1	-	-	-	-----	2511561	A3G9, A4A9, A4G4, A4G7, A4G9
	16580-Z0M-880	.....	-	-	-	1	-	-	-	-	-----	N2EE	
	16580-ZM0-881	.....	-	-	-	1	-	-	-	-	-----	2312686	N1E7, N1T8, N1W7, N1W8, N2E7, N2E8, N2E9, N3T8, N3W8
	16580-ZM0-020	.....	-	-	-	1	-	-	-	-	-----	2352103	A1P
	16580-ZM1-J41	.....	-	-	-	1	-	-	-	-	-----	2352103	A1W7
	16580-ZM0-V90	.....	-	-	-	1	-	-	-	-	-----	2352103	N1R
	16580-ZM0-J61	.....	-	-	-	1	-	-	-	-	-----	2352103	N1T9, N1W9, N3T9, N3W9
	16580-ZM0-J62	.....	-	-	-	1	-	-	-	-	-----	3124478	A3T9
	16580-Z1L-860	.....	-	-	-	1	-	-	-	-	-----	3127796	S1G4
	16580-Z1L-850	.....	-	-	-	1	-	-	-	-	-----	3216180	S2E3, S3G9, S4G4, S4G9
	16580-ZM0-882	.....	-	-	-	1	-	-	-	-	-----	2312687	N1E7, N1T8, N1W8, N2E9
		.....	-	-	-	1	-	-	-	-	-----	2312687	2968540 N2E8
		.....	-	-	-	1	-	-	-	-	-----	2312687	3124478 N3T8
		.....	-	-	-	1	-	-	-	-	-----	2312687	3127931 N1W7, N2E7, N3W8
	16580-ZM0-872	.....	-	-	-	1	-	-	-	-	-----	2352104	A1E7, A1E8, A1G7, A2A9, A2E7, A2E8, A2E9
	16580-ZM1-J42	.....	-	-	-	1	-	-	-	-	-----	2352104	A1W7
	16580-ZM0-V91	.....	-	-	-	1	-	-	-	-	-----	2352104	N1R
	16580-ZM0-J62	.....	-	-	-	1	-	-	-	-	-----	2352104	N1W9, N3T9
	16580-ZM0-872	.....	-	-	-	1	-	-	-	-	-----	2352104	2511561 A1G9, A2G4, A2G7, A2G9, A3E7, A3E9, A3W8
	16580-ZM0-030	.....	-	-	-	1	-	-	-	-	-----	2352104	2548292 A1P
	16580-ZM0-872	.....	-	-	-	1	-	-	-	-	-----	2352104	3124478 A3W7
	16580-ZM0-J62	.....	-	-	-	1	-	-	-	-	-----	2352104	3124478 N1T9, N3W9
	16580-Z1L-851	.....	-	-	-	1	-	-	-	-	-----	2467993	S2E3, S3G9, S4G4, S4G9
	16580-Z0M-J60	.....	-	-	-	1	-	-	-	-	-----	2502411	A3W7
		.....	-	-	-	1	-	-	-	-	-----	2505422	N3T8
	16580-Z0M-870	.....	-	-	-	1	-	-	-	-	-----	2511562	3135603 A1G9, A2G4, A2G7, A2G9, A3E7, A3E9, A3G9, A3W8, A4G4, A4G7, A4G9

2

E-22

CONTROL(1)

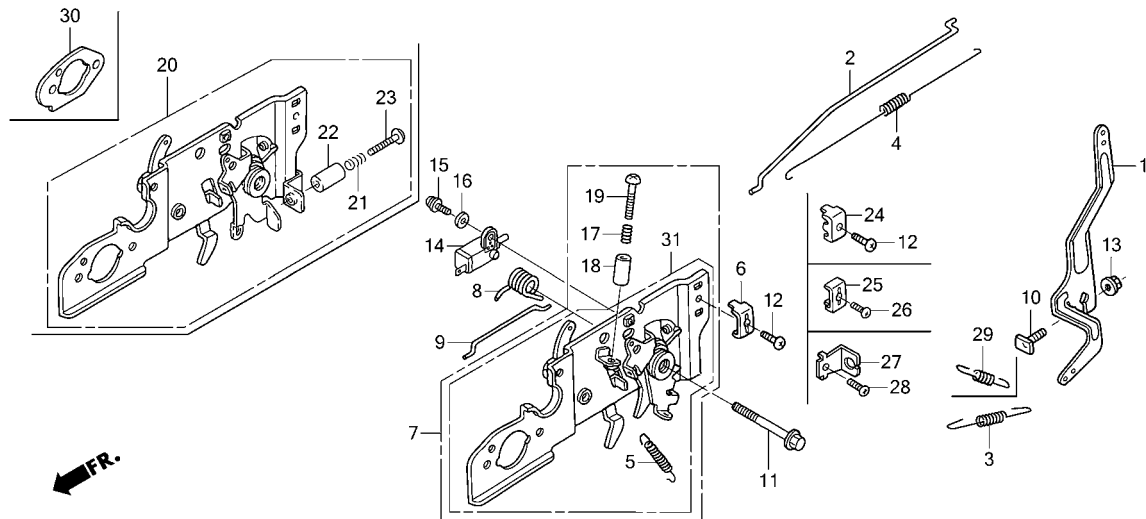
Ref. No.	Part No.	Description	Reqd. QTY										Serial No.	Parts catalogue code
			GCV 160	GCV 160 A	GCV 160 A0	GCV 160 E	GCV 160 LE	GCV 160 LA	GCV 160 LA0	GCV 160 LA1				
(7)	16580-Z0M-000	BASE COMP., CONTROL	-	-	-	1	-	-	-	-	-	2548293	-----	A1P
	16580-Z0M-880	.....	-	-	-	1	-	-	-	-	-	2968541	-----	N1W7, N2E7, N2E8, N3W8
		.....	-	-	-	1	-	-	-	-	-	2968541	-----	2505421 N3T8
	16580-ZM0-872	.....	-	-	-	-	1	-	-	-	-	2352104	-----	2511561 A2A9
	16580-Z0M-870	.....	-	-	-	-	1	-	-	-	-	2511562	-----	3135603 A2A9, A4A9
	16580-ZM0-030	.....	-	-	-	-	-	-	-	1	-	-----	2509961 A1A	
	16580-ZM0-J23	.....	-	-	-	-	-	-	-	1	-	-----	3189556 BHH	
	8 16593-ZM0-000	SPRING, CONTROL LEVER RETURN	1	1	-	-	-	1	-	-	-	-----	A1W2, A1W7, BHH, BHH1, EHHB, N1D, N1E1, N1E2, N1E7 N1J1, N1R, N1U, N1W, N1W1, N1W2, N1W9, N2D, N2E, N2E1 N2E2, N2E3, N2E7, N2E8, N2E9, N2U, N3U, N3V, NBL1	
	16593-Z0L-000	(FOR 16580-Z0L-J20)	-	-	1	-	-	-	-	1	1	-----	A1UV, A2UA, A3T9, N1U, N1U/A, N2EE, N2KE, N2U, N3T8 N3U, NBHT, SBA, SBA/A, SBH, SBH/A, SBHE, SBL	
	16593-ZM0-000	(FOR 16580-ZM0-J62)	-	-	1	-	-	-	-	-	-	-----	BHH1	
16593-Z0L-000	.....	-	-	1	-	-	-	-	-	-	-----	N1R		
16593-ZM0-000	.....	-	-	1	-	-	-	-	-	-	-----	1149597 N3U, N3V		
16593-Z0L-000	.....	-	-	1	-	-	-	-	-	-	-----	1149598 N3V		
16593-ZM0-000	.....	-	-	1	-	-	-	-	-	-	-----	1149598 1488644 N1U, N2U, N3U		
16593-Z0L-000	.....	-	-	1	-	-	-	-	-	-	-----	1488645 N1U, N2U, N3U		
16593-ZM0-000	.....	-	-	-	1	-	-	-	-	-	-----	A1W7, A3T9, N1D, N1E1, N1E2, N1E7, N1J1, N1R, N1T9 N1W9, N2E7, N2E8, N2E9, N2EE, N3T9, N3W9, S1G4		
	.....	-	-	-	1	-	-	-	-	-	-----	1684422 A3W7, A3W8		
	.....	-	-	-	1	-	-	-	-	-	-----	2502411 A3W7		
	.....	-	-	-	1	-	-	-	-	-	-----	2505422 N3T8		
	.....	-	-	-	-	-	-	-	1	-	-----	3189556 BHH		
	.....	-	-	-	-	-	-	-	1	-	-----	3189557 BHH		
9 16674-ZM0-000	ROD, CHOKE	1	1	1	1	1	1	1	1	1	-----	A1A, A1A/A, A1AS, A1AW, A1C, A1E, A1E7, A1E8, A1G7 A1G9, A1J, A1M, A1P, A1U, A1UV, A1W2, A1W7, A2A, A2A9 A2C, A2E, A2E4, A2E7, A2E8, A2E9, A2G4, A2G7, A2G9 A2U, A2UA, A3E, A3E7, A3E9, A3G7, A3G9, A3HV, A3T9 A3W7, A3W8, A4A9, A4E, A4EV, A4G4, A4G7, A4G9, A7E1 A7H1, A7H1/A, A7Q1, A7Q1/A, A7X1, BHH, BHH1, C1E C1E1, C2E, C2E1, C3E, C3E1, C4E, C4E1, E1G7, E2G7 EHHB, N1, N1D, N1E1, N1E2, N1E7, N1J1, N1R, N1T8, N1T9 N1U, N1U/A, N1W, N1W1, N1W2, N1W7, N1W8, N1W9, N2, N2D N2E, N2E1, N2E2, N2E3, N2E7, N2E8, N2E9, N2EE, N2KE N2U, N3T8, N3T9, N3U, N3V, N3W8, N3W9, N7A1, N7S1 NBHT, NBL1, SBA, SBA/A, SBH, SBH/A, SBHE, SBL		
10 90015-ZE5-010	BOLT, GOVERNOR ARM	1	1	1	1	1	1	-	-	-	-----	A1A, A1AS, A1AW, A1C, A1E, A1E7, A1E8, A1G7, A1G9, A1J A1M, A1P, A1U, A1UV, A1W2, A1W7, A2A, A2A9, A2C, A2E A2E4, A2E7, A2E8, A2E9, A2G4, A2G7, A2G9, A2U, A2UA A3E, A3E7, A3E9, A3G7, A3G9, A3HV, A3T9, A3W7, A3W8 A4A9, A4E, A4EV, A4G4, A4G7, A4G9, A7E1, A7H1, A7Q1 A7Q1/A, BHH, BHH1, C1E, C1E1, C2E, C2E1, C3E, C3E1 C4E, C4E1, E1G7, E2G7, EHHB, N1, N1D, N1E1, N1E2, N1E7 N1J1, N1R, N1T8, N1T9, N1U, N1U/A, N1W, N1W1, N1W2 N1W7, N1W8, N1W9, N2, N2D, N2E, N2E1, N2E2, N2E3, N2E7 N2E8, N2E9, N2EE, N2KE, N2U, N3T8, N3T9, N3U, N3V N3W8, N3W9, N7A1, N7S1, NBHT, NBL1, R3LE, S1E1, S1G4 S2E, S2E1, S2E2, S2E3, S2G7, S3E9, S3G9, S3HB, S3LE S4E4, S4E9, S4G4, S4G7, S4G9, S4H4, S4LE, SBHE		
	.....	-	-	-	-	-	-	-	1	-	-----	A1A, A7H1, BHH, N7A1, N7S1, R3A, R3L, S1A, S1M, S3A S3DB, S3H, S3L, S3LB, S3T, SBA, SBH, SBL, SBT		
	.....	-	-	-	-	-	-	-	1	-	-----	A1A, A1A/A, A7H1, A7H1/A, A7X1, S3B, S3B/A, S3LB S3LB/A, SBA, SBA/A, SBH, SBH/A, SBT, SBT/A		





E-22

CONTROL(1)



ZM00E2200K

Ref. No.	Part No.	Description	Reqd. QTY								Serial No.	Parts catalogue code
			GCV 160	GCV 160 A	GCV 160 A0	GCV 160 E	GCV 160 LE	GCV 160 LA	GCV 160 LA0	GCV 160 LA1		
11	90016-ZM0-000	BOLT, FLANGE, 6X45(CT200).....	1	1	-	-	1	1	-	-	-----	A1A, A1AS, A1AW, A1C, A1E, A1E7, A1E8, A1G7, A1J, A1M A1P, A1U, A1W2, A1W7, A2A, A2A9, A2C, A2E, A2E4, A2E7 A2E8, A2E9, A2G7, A2U, A3E, A4A9, A4E, A7E1, A7H1, BHH BHH1, C1E, C1E1, C2E, C2E1, C3E, C3E1, C4E, C4E1, E1G7 E2G7, EHHB, N1, N1D, N1E1, N1E2, N1E7, N1J1, N1R, N1U N1W, N1W1, N1W2, N1W7, N1W8, N1W9, N2, N2D, N2E, N2E1 N2E2, N2E3, N2E7, N2E8, N2E9, N2U, N3U, N3V, N7A1 N7S1, NBL1, S2G7
	90014-888-000	BOLT, FLANGE, 6X50(CT200).....	-	-	1	-	-	-	1	-	-----	A1G7, A1UV, A2UA, A3G7, A3HV, A3T9, A4G4, A4G7, A7H1 A7Q1, A7Q1/A, N1U/A, N2EE, N2KE, N3T8, NBHT, S4G7 SBA, SBH, SBHE, SBL
	90016-ZM0-000	BOLT, FLANGE, 6X45(CT200).....	-	-	1	-	-	-	-	-	-----	A1M, A2E7, C1E, C1E1, C2E, C2E1, C3E, C3E1, C4E, C4E1 E2G7, N1R, N3V, S2G7
	90016-ZE8-000	.....	-	-	1	-	-	-	-	-	1488644	A1AW, N1U, N2U, N3U
	90016-ZM0-000	(FOR 16580-Z0L-000).....	-	-	1	-	-	-	-	-	1803186	A1E7
	90016-ZM0-000	(FOR 16580-ZM0-872).....	-	-	1	-	-	-	-	-	1803186	A1E7
	90016-ZE8-000	(FOR 16580-Z0L-J20).....	-	-	1	-	-	-	-	-	1803186	BHH1
	90016-ZM0-000	(FOR 16580-ZM0-J62).....	-	-	1	-	-	-	-	-	1803186	BHH1
	90016-ZE8-000	.....	-	-	1	-	-	-	-	-	1488645	1803186 A1AW, N1U, N2U, N3U
	90014-888-000	BOLT, FLANGE, 6X50(CT200).....	-	-	1	-	-	-	-	-	1803187	----- A1AW, A1E7, BHH1, N1U, N2U, N3U

2

E-22

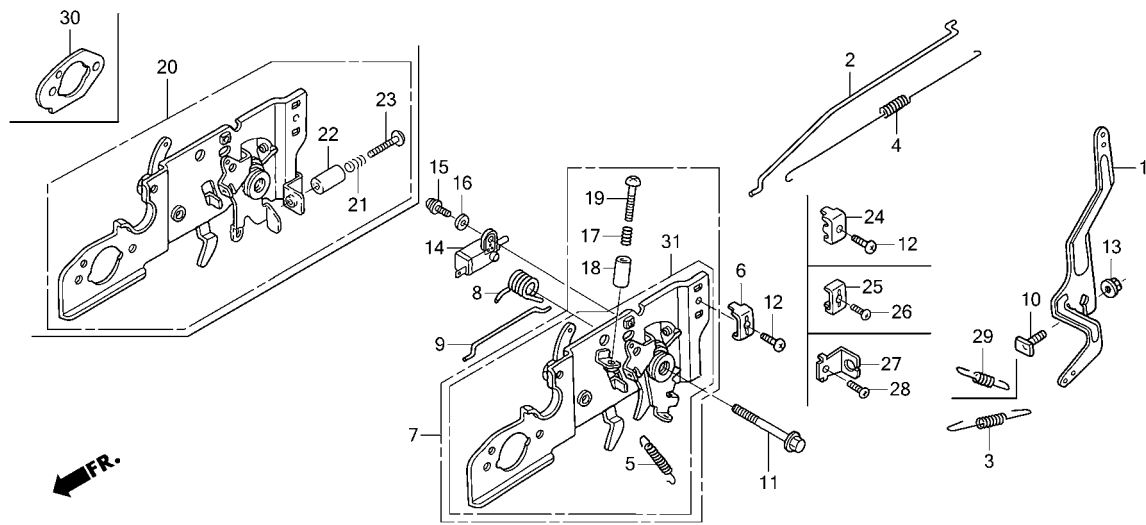
CONTROL(1)

Ref. No.	Part No.	Description	Reqd. QTY										Serial No.	Parts catalogue code			
			GCV 160	GCV 160 A	GCV 160 A0	GCV 160 E	GCV 160 LE	GCV 160 LA	GCV 160 LA0	GCV 160 LA1							
11)	90016-ZM0-000	BOLT, FLANGE, 6X45(CT200).....	-	-	-	1	-	-	-	-	-	-	-	-	A1E7, A1E8, A1G7, A1G9, A1P, A1W7, A2A9, A2E7, A2E8, A2E9, A2G4, A2G7, A2G9, A3E7, A3E9, A3G9, A3HV, A3T9, A3W7, A3W8, A4E, A4EV, A4G4, A4G7, A4G9, A7E1, A7Q1, N1D, N1E1, N1E2, N1E7, N1J1, N1R, N1T8, N1T9, N1W7, N1W8, N1W9, N2E7, N2E8, N2E9, N2EE, N3T8, N3T9, N3W8, N3W9, N7A1, S1G4, S2E, S2E3, S3G9, S4G4, S4G9		
			-	-	-	1	-	-	-	-	-	-	-	-	3176791	S1E1, S2E1, S2E2, S3E9, S4E4, S4E9	
			-	-	-	-	-	-	-	-	-	1	-	-	-	N7A1, N7S1	
			-	-	-	-	-	-	-	-	-	1	-	-	2509961	A1A	
			-	-	-	-	-	-	-	-	-	1	-	-	3189556	BHH	
	90016-ZE8-000	.....	-	-	-	-	-	-	-	-	-	1	-	-	2509962	3499206	A1A
			-	-	-	-	-	-	-	-	-	1	-	-	3189557	3499206	BHH
	90014-888-000	BOLT, FLANGE, 6X50(CT200).....	-	-	-	-	-	-	-	-	-	1	-	-	3499207	-----	A1A, BHH
			-	-	-	-	-	-	-	-	-	1	-	-	-----	-----	A1A, A1A/A, A7H1, A7H1/A, A7X1, SBA, SBA/A, SBH, SBH/A
12	93500-05016-0A	SCREW, PAN, 5X16.....	1	1	1	1	1	1	1	1	1	1	1	1	-----	-----	A1A, A1A/A, A1AW, A1C, A1E, A1E7, A1E8, A1G7, A1G9, A1J, A1M, A1P, A1U, A1UV, A1W2, A1W7, A2A, A2A9, A2C, A2E, A2E4, A2E7, A2E8, A2E9, A2G4, A2G7, A2G9, A2U, A2UA, A3E, A3E7, A3E9, A3G7, A3G9, A3HV, A3T9, A3W7, A3W8, A4A9, A4E, A4EV, A4G4, A4G7, A4G9, A7E1, A7H1, A7H1/A, A7Q1, A7Q1/A, A7X1, C1E, C1E1, C2E, C2E1, C3E, C3E1, C4E, C4E1, E1G7, E2G7, N1, N1D, N1E1, N1E2, N1E7, N1J1, N1R, N1T8, N1T9, N1U, N1U/A, N1W, N1W1, N1W2, N1W7, N1W8, N1W9, N2, N2D, N2E, N2E1, N2E2, N2E3, N2E7, N2E8, N2E9, N2EE, N2KE, N2U, N3T8, N3T9, N3U, N3V, N3W8, N3W9, N7A1, N7S1, NBHT, NBL1, S1G4, S2E2, S2E3, S3E9, S3G9, S4E4, S4E9, S4G4, S4G7, S4G9
13	94050-06000	NUT, FLANGE, 6MM.....	1	1	1	1	1	1	1	-	-	-	-	-	-----	-----	A1A, A1AS, A1AW, A1C, A1E, A1E7, A1E8, A1G7, A1G9, A1J, A1M, A1P, A1U, A1UV, A1W2, A1W7, A2A, A2A9, A2C, A2E, A2E4, A2E7, A2E8, A2E9, A2G4, A2G7, A2G9, A2U, A2UA, A3E, A3E7, A3E9, A3G7, A3G9, A3HV, A3T9, A3W7, A3W8, A4A9, A4E, A4EV, A4G4, A4G7, A4G9, A7E1, A7H1, A7Q1, A7Q1/A, BHH, BHH1, C1E, C1E1, C2E, C2E1, C3E, C3E1, C4E, C4E1, E1G7, E2G7, EHHB, N1, N1D, N1E1, N1E2, N1E7, N1J1, N1R, N1T8, N1T9, N1U, N1U/A, N1W, N1W1, N1W2, N1W7, N1W8, N1W9, N2, N2D, N2E, N2E1, N2E2, N2E3, N2E7, N2E8, N2E9, N2EE, N2KE, N2U, N3T8, N3T9, N3U, N3V, N3W8, N3W9, N7A1, N7S1, NBHT, NBL1, R3LE, S1E1, S1G4, S2E, S2E1, S2E2, S2E3, S2G7, S3E9, S3G9, S3HB, S3LE, S4E4, S4E9, S4G4, S4G7, S4G9, S4H4, S4LE, SBHE
			-	-	-	-	-	-	-	-	-	1	-	-	-----	-----	A1A, A7H1, BHH, N7A1, N7S1, R3A, R3L, S1A, S1M, S3A, S3DB, S3H, S3L, S3LB, S3T, SBA, SBH, SBL, SBT
			-	-	-	-	-	-	-	-	-	-	1	-	-----	-----	A1A, A1A/A, A7H1, A7H1/A, A7X1, S3B, S3B/A, S3LB, S3LB/A, SBA, SBA/A, SBH, SBH/A, SBT, SBT/A
14	35120-ZL8-003	SWITCH ASSY., ENGINE STOP(N.O)	1	1	-	-	1	1	-	-	-	-	-	-	-----	-----	BHH, BHH1, N1D, N1E1, N1E2, N1E7, N1J1, N1R, N1U, N1W, N1W1, N1W2, N1W7, N1W8, N1W9, N2D, N2E, N2E1, N2E2, N2E3, N2E7, N2E8, N2E9, N2U, N3U, N3V, N7A1, N7S1, NBL1
			-	-	1	1	-	-	-	-	-	-	-	-	-----	-----	BHH1, N1D, N1E1, N1E2, N1E7, N1R, N1T8, N1W8, N1W9, N2E9, N3T9, N3V, N7A1
	35120-Z1L-J21	.....	-	-	1	-	-	-	-	-	1	1	-	-	-----	-----	N1U/A, N2EE, N2KE, N3T8, NBHT, SBA, SBA/A, SBH, SBH/A, SBHE, SBL
	35120-ZL8-003	.....	-	-	1	-	-	-	-	-	-	-	-	-	1606653	-----	N1U, N2U, N3U
	35120-Z1L-J21	.....	-	-	1	-	-	-	-	-	-	-	-	-	1606654	-----	N1U, N2U, N3U
	35120-ZL8-003	.....	-	-	-	1	-	-	-	-	-	-	-	-	3442600	-----	N1J1, N1T9, N1W7, N2E7, N2E8, N2EE, N3T8, N3W8, N3W9, S1G4
	35120-Z1L-J21	.....	-	-	-	1	-	-	-	-	-	-	-	-	3442601	-----	N1J1, N1T9, N1W7, N2E7, N2E8, N2EE, N3T8, N3W8, N3W9, S1G4



E-22

CONTROL(1)



ZM00E2200K

Ref. No.	Part No.	Description	Reqd. QTY										Serial No.	Parts catalogue code	
			GCV 160	GCV 160 A	GCV 160 A0	GCV 160 E	GCV 160 LE	GCV 160 LA	GCV 160 LA0	GCV 160 LA1					
14)	35120-ZL8-003	SWITCH ASSY., ENGINE STOP(N.O)	-	-	-	-	-	-	-	-	1	-	-	N7A1	
			-	-	-	-	-	-	-	-	1	-	-	3189556	BHH
			-	-	-	-	-	-	-	-	1	-	-	3463429	N7S1
	35120-Z1L-J21	.....	-	-	-	-	-	-	-	-	1	-	-	3189557	BHH
			-	-	-	-	-	-	-	-	1	-	-	3463430	N7S1
15	93892-04012-00	SCREW-WASHER, 4X12 .....	1	1	-	-	1	1	-	-	-	-	-		BHH, BHH1, N1D, N1E1, N1E2, N1E7, N1J1, N1R, N1U, N1W1, N1W2, N1W7, N1W8, N1W9, N2D, N2E, N2E1, N2E2, N2E3, N2E7, N2E8, N2E9, N2U, N3U, N3V, N7A1, N7S1, NBL1
			-	-	1	-	-	-	-	-	-	-	-		A1AW, A1E7, A1M, A2E7, BHH1, N1R, N1U, N1U/A, N2EE, N2KE, N2U, N3T8, N3U, N3V, NBHT, S2G7, SBHE
			-	-	-	1	-	-	-	-	-	-	-		N1D, N1E1, N1E2, N1E7, N1J1, N1R, N1T8, N1T9, N1W7, N1W8, N1W9, N2E7, N2E8, N2E9, N2EE, N3T8, N3T9, N3W8, N3W9, N7A1, S1G4
			-	-	-	-	-	-	-	1	-	-	-		A1A, BHH, N7A1, N7S1, S1A, S1M, S3A, S3H, SBA, SBH, SBL
			-	-	-	-	-	-	-	-	1	-	-		SBA, SBA/A, SBH, SBH/A
16	94103-04000	WASHER, PLAIN, 4MM .....	1	1	-	-	1	1	-	-	-	-	-		BHH, BHH1, N1D, N1E1, N1E2, N1E7, N1J1, N1R, N1U, N1W1, N1W2, N1W7, N1W8, N1W9, N2D, N2E, N2E1, N2E2, N2E3, N2E7, N2E8, N2E9, N2U, N3U, N3V, N7A1, N7S1, NBL1
			-	-	1	-	-	-	-	-	-	-	-		A1AW, A1E7, A1M, A2E7, BHH1, N1R, N1U, N1U/A, N2EE, N2KE, N2U, N3T8, N3U, N3V, NBHT, S2G7, SBHE
			-	-	-	1	-	-	-	-	-	-	-		N1D, N1E1, N1E2, N1E7, N1J1, N1R, N1T8, N1T9, N1W7, N1W8, N1W9, N2E7, N2E8, N2E9, N2EE, N3T8, N3T9, N3W8, N3W9, N7A1, S1G4
			-	-	-	-	-	-	-	1	-	-	-		A1A, BHH, N7A1, N7S1, S1A, S1M, S3A, S3H, SBA, SBH, SBL
			-	-	-	-	-	-	-	-	1	-	-		SBA, SBA/A, SBH, SBH/A



E-22

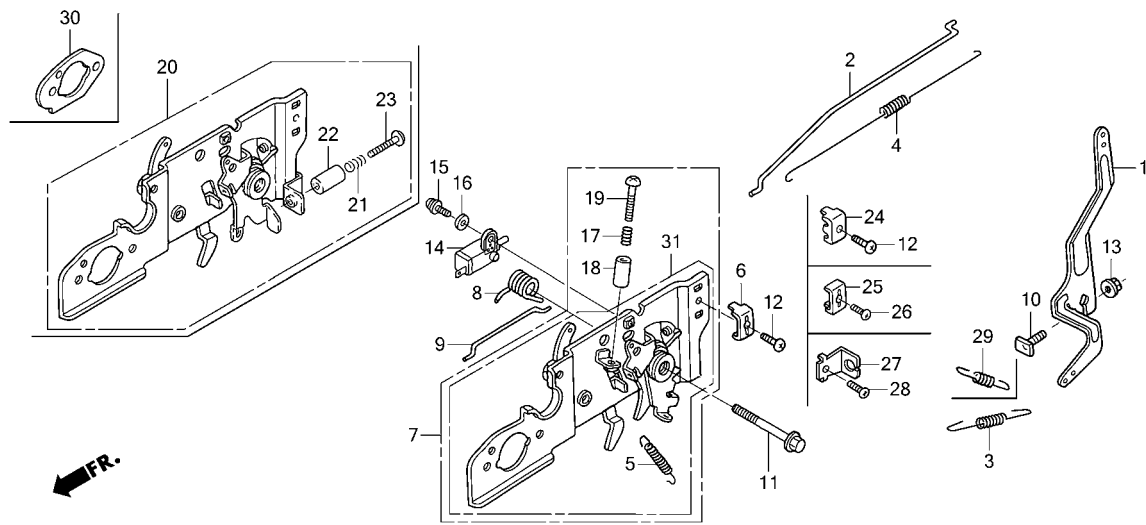
CONTROL(1)

Ref. No.	Part No.	Description	Reqd. QTY										Serial No.	Parts catalogue code				
			GCV 160	GCV 160 A	GCV 160 A0	GCV 160 E	GCV 160 LE	GCV 160 LA	GCV 160 LA0	GCV 160 LA1								
17	16584-883-300	SPRING, CONTROL ADJUSTING .....	1	1	-	-	-	-	-	-	-	-	-	-	-	A1E7, A1E8, A1G7, A1W7, A2E7, A2E8, A2E9, A2G7, A7E1 BHH1, C1E, C1E1, C2E, C2E1, C3E, C3E1, C4E, C4E1, E1G7 E2G7, N1E7, N1R, N1W7, N1W8, N1W9, N2E7, N2E8, N2E9 N7A1, S2G7		
			-	-	1	-	-	-	-	-	-	-	-	-	-	-	A1E7, A2E7, BHH1, C1E, C1E1, C2E, C2E1, C3E, C3E1, C4E C4E1, E2G7, N1R, N2EE, N2KE, NBHT	
			-	-	-	1	-	-	-	-	-	-	-	-	-	-	-	A1E7, A1E8, A1G7, A1G9, A1W7, A2A9, A2E7, A2E8, A2E9 A2G4, A2G7, A2G9, A3E7, A3E9, A3G9, A3W8, A4G4, A4G7 A4G9, N1E7, N1R, N1T8, N1W8, N1W9, N2E8, N2E9, N2EE N3T9, N7A1
			-	-	-	1	-	-	-	-	-	-	-	-	3124478	A3T9, A3W7, N1T9, N3T8, N3W9		
			-	-	-	1	-	-	-	-	-	-	-	-	3127796	S1G4		
			-	-	-	1	-	-	-	-	-	-	-	-	3127931	N1W7, N2E7, N3W8		
			-	-	-	1	-	-	-	-	-	-	-	-	3216180	S2E3, S3G9, S4G4, S4G9		
			-	-	-	-	1	-	-	-	-	-	-	-	-	-	A2A9, A4A9	
			-	-	-	1	-	-	-	-	-	-	-	-	-	-	-	A1E7, A1E8, A1G7, A1W7, A2E7, A2E8, A2E9, A2G7, A7E1 BHH1, C1E, C1E1, C2E, C2E1, C3E, C3E1, C4E, C4E1, E1G7 E2G7, N1E7, N1W7, N1W8, N1W9, N2E7, N2E8, N2E9, N7A1 S2G7
			-	-	-	1	-	-	-	-	-	-	-	-	-	-	-	A1E7, A2E7, BHH1, C1E, C1E1, C2E, C2E1, C3E, C3E1, C4E C4E1, E2G7, N2EE, N2KE, NBHT
18	16599-ZG1-M10	COLLAR, STOPPER .....	1	1	-	-	-	-	-	-	-	-	-	-	-	A1E7, A1E8, A1G7, A1W7, A2E7, A2E8, A2E9, A2G7, A7E1 BHH1, C1E, C1E1, C2E, C2E1, C3E, C3E1, C4E, C4E1, E1G7 E2G7, N1E7, N1W7, N1W8, N1W9, N2E7, N2E8, N2E9, N7A1 S2G7		
			-	-	1	-	-	-	-	-	-	-	-	-	-	-	A1E7, A2E7, BHH1, C1E, C1E1, C2E, C2E1, C3E, C3E1, C4E C4E1, E2G7, N2EE, N2KE, NBHT	
			-	-	-	1	-	-	-	-	-	-	-	-	-	-	-	A1E7, A1E8, A1G7, A1G9, A1W7, A2A9, A2E7, A2E8, A2E9 A2G4, A2G7, A2G9, A3E7, A3E9, A3G9, A3W8, A4G4, A4G7 A4G9, N1E7, N1T8, N1W8, N1W9, N2E8, N2E9, N2EE, N3T9 N7A1
			-	-	-	1	-	-	-	-	-	-	-	-	3124478	A3T9, A3W7, N1T9, N3T8, N3W9		
			-	-	-	1	-	-	-	-	-	-	-	-	3127796	S1G4		
			-	-	-	1	-	-	-	-	-	-	-	-	3127931	N1W7, N2E7, N3W8		
			-	-	-	1	-	-	-	-	-	-	-	-	3216180	S2E3, S3G9, S4G4, S4G9		
			-	-	-	-	1	-	-	-	-	-	-	-	-	-	-	A2A9, A4A9
			-	-	-	1	-	-	-	-	-	-	-	-	-	-	-	N1R
			-	-	-	1	-	-	-	-	-	-	-	-	-	-	-	A1E7, A1E8, A1G7, A1W7, A2E7, A2E8, A2E9, A2G7, A7E1 BHH1, C1E, C1E1, C2E, C2E1, C3E, C3E1, C4E, C4E1, E1G7 E2G7, N1E7, N1W7, N1W8, N1W9, N2E7, N2E8, N2E9, N7A1 S2G7
-	-	1	-	-	-	-	-	-	-	-	-	-	-	-	A1E7, A2E7, BHH1, C1E, C1E1, C2E, C2E1, C3E, C3E1, C4E C4E1, E2G7, N2EE, N2KE, NBHT			
19	93500-05028-0A 90016-ZE7-W00	SCREW, PAN, 5X28 .....	1	1	1	1	-	-	-	-	-	-	-	-	-	A1E7, A1E8, A1G7, A1W7, A2E7, A2E8, A2E9, A2G7, A7E1 BHH1, C1E, C1E1, C2E, C2E1, C3E, C3E1, C4E, C4E1, E1G7 E2G7, N1E7, N1W7, N1W8, N1W9, N2E7, N2E8, N2E9, N7A1 S2G7		
			-	-	1	-	-	-	-	-	-	-	-	-	-	-	A1E7, A2E7, BHH1, C1E, C1E1, C2E, C2E1, C3E, C3E1, C4E C4E1, E2G7, N2EE, N2KE, NBHT	
			-	-	-	1	-	-	-	-	-	-	-	-	-	-	-	A1E7, A1E8, A1G7, A1G9, A1W7, A2A9, A2E7, A2E8, A2E9 A2G4, A2G7, A2G9, A3E7, A3E9, A3G9, A3W8, A4G4, A4G7 A4G9, N1E7, N1T8, N1W8, N1W9, N2E8, N2E9, N2EE, N3T9 N7A1
			-	-	-	1	-	-	-	-	-	-	-	-	3124478	A3T9, A3W7, N1T9, N3T8, N3W9		
			-	-	-	1	-	-	-	-	-	-	-	-	3127796	S1G4		
			-	-	-	1	-	-	-	-	-	-	-	-	3127931	N1W7, N2E7, N3W8		
			-	-	-	1	-	-	-	-	-	-	-	-	3216180	S2E3, S3G9, S4G4, S4G9		
			-	-	-	-	1	-	-	-	-	-	-	-	-	-	-	A2A9, A4A9
			-	-	-	1	-	-	-	-	-	-	-	-	-	-	-	N1R
			-	-	-	1	-	-	-	-	-	-	-	-	-	-	-	A1E7, A1E8, A1G7, A1W7, A2E7, A2E8, A2E9, A2G7, A7E1 BHH1, C1E, C1E1, C2E, C2E1, C3E, C3E1, C4E, C4E1, E1G7 E2G7, N1E7, N1W7, N1W8, N1W9, N2E7, N2E8, N2E9, N7A1 S2G7
-	-	-	1	-	-	-	-	-	-	-	-	-	-	-	A1E7, A2E7, BHH1, C1E, C1E1, C2E, C2E1, C3E, C3E1, C4E C4E1, E2G7, N2EE, N2KE, NBHT			
20	16580-Z0M-780 16580-Z0M-810 16580-Z0L-780 16580-Z0M-812 16580-Z0M-780 16580-Z0M-782 16580-Z0M-810 16580-Z0M-811 16580-Z0M-781  16580-Z0M-811	BASE COMP., CONTROL .....	1	1	-	-	-	-	1	-	-	-	-	-	-	A7E1, N7A1, N7S1		
			-	1	-	-	-	-	-	-	-	-	-	-	-	-	S2G7	
			-	-	1	-	-	-	1	1	-	-	-	-	-	-	-	A7H1, A7H1/A, A7Q1, A7Q1/A, A7X1
			-	-	1	-	-	-	-	-	-	-	-	-	-	-	-	S2G7
			-	-	-	1	1	-	-	-	-	-	-	-	-	-	-	2112488 A7E1, N7A1
			-	-	-	1	-	-	-	-	-	-	-	-	-	-	-	A7Q1
			-	-	-	1	-	-	-	-	-	-	-	-	-	-	-	2130839 S1E1, S2E, S2E1
			-	-	-	1	-	-	-	-	-	-	-	-	-	-	-	2462269 S2E2, S3E9, S4E4, S4E9
			-	-	-	1	-	-	-	-	-	-	-	-	2112489	N7A1		
			-	-	-	1	-	-	-	-	-	-	-	2112489	2526876	A7E1		
-	-	-	1	-	-	-	-	-	-	-	2130840	2462269	S1E1, S2E, S2E1					



E-22

CONTROL(1)



ZM00E2200K

Ref. No.	Part No.	Description	Reqd. QTY								Serial No.	Parts catalogue code
			GCV 160	GCV 160 A	GCV 160 A0	GCV 160 E	GCV 160 LE	GCV 160 LA	GCV 160 LA0	GCV 160 LA1		
20)	16580-Z0M-812	BASE COMP., CONTROL.....	-	-	-	1	-	-	-	-	2462270	----- S2E
	16580-Z0M-782	.....	-	-	-	1	-	-	-	-	2462270	3176791 S1E1,S2E1,S2E2,S3E9,S4E4,S4E9
	16580-Z0M-781	.....	-	-	-	-	1	-	-	-	2526877	----- A7E1
	16580-Z0M-782	.....	-	-	-	-	1	-	-	-	3039945	3039945 A7H1
	16580-Z0M-782	.....	-	-	-	-	1	-	-	-	2112489	3039945 N7A1
	16580-Z0M-782	.....	-	-	-	-	-	-	1	-	3039946	----- A7H1,N7A1 ----- N7A1,N7S1
21	16584-883-300	SPRING, CONTROL ADJUSTING....	1	1	1	1	1	1	1	1	-----	----- A7E1,A7H1,A7H1/A,A7Q1,A7Q1/A,A7X1,N7A1,N7S1 S2E,S2G7
22	16599-ZG1-M10	COLLAR, STOPPER.....	-	-	-	1	-	-	-	-	-----	3176791 S1E1,S2E1,S2E2,S3E9,S4E4,S4E9
22	16599-ZG1-M10	COLLAR, STOPPER.....	1	1	1	1	1	1	1	1	-----	----- A7E1,A7H1,A7H1/A,A7Q1,A7Q1/A,A7X1,N7A1,N7S1 S2E,S2G7
23	90016-ZE7-W00	SCREW, RECESSED, 5X28.....	-	-	-	1	-	-	-	-	-----	3176791 S1E1,S2E1,S2E2,S3E9,S4E4,S4E9
	90016-ZE7-W00	SCREW, RECESSED, 5X28.....	1	1	1	1	1	1	1	1	-----	----- A7E1,A7H1,A7H1/A,A7Q1,A7Q1/A,A7X1,N7A1,N7S1 S2E,S2G7
	90016-ZE7-W00	SCREW, RECESSED, 5X28.....	-	-	-	1	-	-	-	-	-----	3176791 S1E1,S2E1,S2E2,S3E9,S4E4,S4E9

2

**E-22**

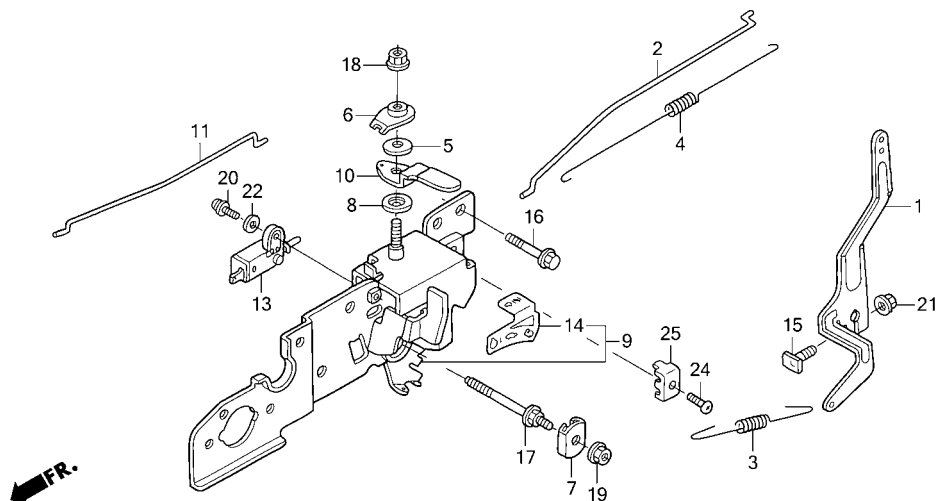
**CONTROL(1)**

Ref. No.	Part No.	Description	Reqd. QTY										Serial No.	Parts catalogue code
			GCV 160	GCV 160 A	GCV 160 A0	GCV 160 E	GCV 160 LE	GCV 160 LA	GCV 160 LA0	GCV 160 LA1				
24	16617-VG3-000	HOLDER, CABLE .....	1	-	-	-	-	-	-	-	-	2439634	-----	A1A, A1C, A1E, A1E7, A1E8, A1G7, A1P, A1W2, A1W7, A2A, A2C, A2E, A2E4, A2E7, A2E8, A2E9, A2G7, A3E, A7E1, N1 N1D, N1E1, N1E2, N1E7, N1J1, N1R, N1U, N1W, N1W1, N1W2, N1W7, N1W8, N1W9, N2, N2E, N2E1, N2E3, N2E7, N2E8, N2E9, N2U, N3U, N3V, N7A1
			-	1	1	-	-	-	-	-	1	-----	-----	A1A, A1A/A, A1AW, A1C, A1E, A1E7, A1E8, A1G7, A1M, A1UV, A1W7, A2A, A2C, A2E7, A2E8, A2E9, A2G7, A2UA, A3E, A3G7, A3HV, A3T9, A4G4, A4G7, A7E1, A7H1, A7H1/A, A7Q1, A7Q1/A, A7X1, C1E, C1E1, C2E, C2E1, C3E, C3E1, C4E, C4E1, E1G7, E2G7, N1E1, N1E7, N1R, N1U, N1U/A, N1W7, N1W8, N1W9, N2E7, N2E8, N2E9, N2EE, N2KE, N2U, N3T8, N3U, N3V, N7A1, N7S1, NBHT, NBL1, S4G7
			-	-	-	1	-	-	-	-	-	-----	-----	A1G9, A1P, A2A9, A2G4, A3E9, A3G9, A3T9, A3W7, A3W8, A4G4, A4G7, A4G9, N1D, N1E1, N1E2, N1J1, N1R, N1T8, N1T9, N2EE, N3T8, N3T9, N3W8, N3W9, S1G4, S2E2, S2E3, S3E9, S3G9, S4E4, S4E9, S4G4, S4G9
			-	-	-	1	-	-	-	-	-	1239888	-----	A1E7, A1E8, A1G7, A1W7, A2E7, A2E8, A2E9, A2G7, A2G9, A3E7, A7E1, N1E7, N1W7, N1W8, N1W9, N2E7, N2E8, N2E9, N7A1
25	16576-891-000	HOLDER, CABLE .....	-	1	-	-	-	1	1	1	-	-----	-----	A1A, A2A9, A4A9, A7H1, N7A1, N7S1
			-	1	-	-	-	-	-	-	-	-----	-----	A1AS
26	90016-Z0A-V00	SCREW, RECESSED, 5X18 .....	-	1	-	-	-	-	-	-	-	-----	-----	A1AS
27	16617-Z0L-800	HOLDER, CABLE .....	-	1	1	-	-	1	1	1	-	-----	-----	BHH, BHH1, EHHB, SBA, SBA/A, SBH, SBH/A, SBHE, SBL
28	93500-05008-0A	SCREW, PAN, 5X8 .....	-	1	1	-	-	1	1	1	-	-----	-----	BHH, BHH1, EHHB, SBA, SBA/A, SBH, SBH/A, SBHE, SBL
29	16563-Z1L-850	SPRING, IDLE GOVERNOR .....	-	-	-	1	-	-	-	-	-	-----	-----	S1G4, S2E3, S3G9, S4G4, S4G9
30	16221-Z0L-900	SPACER, CARBURETOR .....	-	-	-	1	-	-	-	-	-	-----	-----	S4H4
			-	-	-	1	-	-	-	-	3176792	-----	-----	S1E1, S2E1, S2E2, S3E9, S4E4, S4E9
			-	-	-	-	-	-	1	-	-----	-----	-----	R3A, S3A, S3H, S3T, SBT
31	16580-Z0L-010	BASE COMP., CONTROL .....	-	-	1	-	-	-	1	1	-	-----	-----	A1A, A1A/A, A1G7, A1UV, A2UA, A3G7, A3HV, A4G7
	16580-Z0L-J20	.....	-	-	1	-	-	-	1	1	-	-----	-----	BHH1, N3T8, SBA, SBA/A, SBH, SBH/A, SBHE, SBL
	16580-Z0L-000	.....	-	-	1	-	-	-	-	-	-	-----	-----	A1E7
	16580-Z0L-J00	.....	-	-	1	-	-	-	-	-	-	-----	-----	A3T9
	16580-Z0Y-801	.....	-	-	1	-	-	-	-	-	-	-----	-----	N1U/A
	16580-Z0Y-800	.....	-	-	1	-	-	-	-	-	-	-----	-----	N3U
	16580-Z0Y-V71	.....	-	-	1	-	-	-	-	-	-	-----	-----	S4G7
	16580-Z0L-000	.....	-	-	1	-	-	-	-	-	-	-----	-----	1968969 A1AW, A4G4
	16580-Z0L-000	.....	-	-	1	-	-	-	-	-	-	-----	-----	2021306 N1U, N2U
	16580-Z0Y-800	.....	-	-	1	-	-	-	-	-	-	-----	-----	1488645 A1AW
	16580-Z0L-010	.....	-	-	1	-	-	-	-	-	-	-----	-----	1488645 N1U, N2U, N3U
	16580-Z0Y-801	.....	-	-	1	-	-	-	-	-	-	-----	-----	1968970 A1AW, A4G4
	16580-Z0M-000	.....	-	-	1	-	-	-	-	-	-	-----	-----	2021307 N1U, N2U
	16580-Z0M-J20	.....	-	-	1	-	-	-	-	-	-	-----	-----	A3HV, A4EV
	16580-Z1L-810	.....	-	-	1	-	-	-	-	-	-	-----	-----	3124479 A3T9, A3W7, N1T9, N3T8, N3W9
	16580-Z0M-890	.....	-	-	1	-	-	-	-	-	-	-----	-----	3127797 S1G4
	16580-Z0M-000	.....	-	-	1	-	-	-	-	-	-	-----	-----	3127932 N1W7, N2E7, N3W8
			-	-	1	-	-	-	-	-	-	-----	-----	3135604 A1G9, A2G4, A2G7, A2G9, A3E7, A3E9, A3G9, A3W8, A4G4, A4G7, A4G9
	16580-Z1L-800	.....	-	-	1	-	-	-	-	-	-	-----	-----	3216181 S2E3, S3G9, S4G4, S4G9
	16580-Z0M-000	.....	-	-	1	-	-	-	-	-	-	-----	-----	3135604 A2A9, A4A9
	16580-Z0L-000	.....	-	-	1	-	-	-	-	-	-	-----	-----	2509962 A1A
	16580-Z0L-J20	.....	-	-	1	-	-	-	1	-	-	-----	-----	3189557 BHH



# E-22-1

# CONTROL(2)



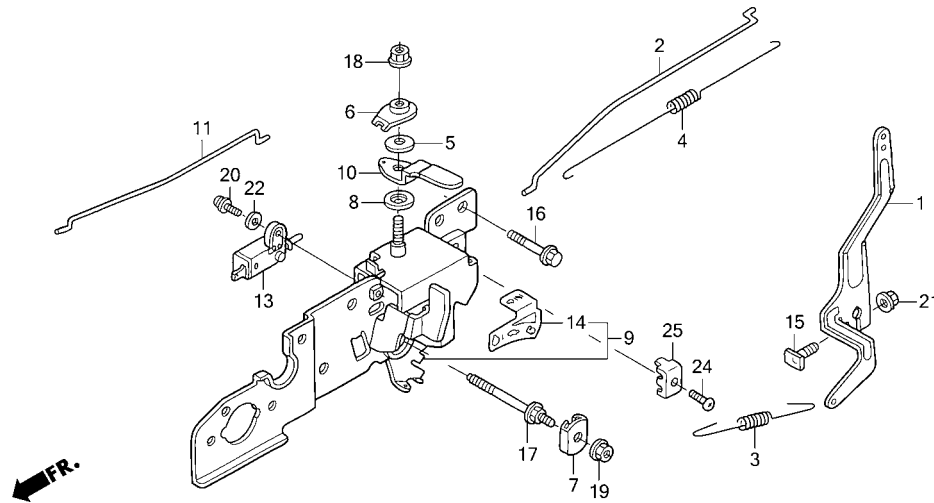
ZM00E2201G

Ref. L.O.N. (Relative ref. Number) F.R.T.  
No. Description

Ref. No.	Part No.	Description	Reqd. QTY								Serial No.	Parts catalogue code
			GCV 160	GCV 160 A	GCV 160 A0	GCV 160 E	GCV 160 LE	GCV 160 LA	GCV 160 LA0	GCV 160 LA1		
1	16551-ZM0-000	ARM, GOVERNOR .....	1	-	-	-	-	-	-	-	2299007	A2R
	16551-ZM0-010	.....	1	-	-	-	-	-	-	-	2299008	A2R
2	16555-ZM0-000	ROD, GOVERNOR .....	1	-	1	1	-	1	1	-	-	A2R, A2R/A, N1A, N1A/A, N1C, N1L, N5A, N5C
	16555-Z0L-800	.....	-	1	-	-	-	-	-	-	-	A2R
	16555-Z0L-801	.....	-	1	-	-	-	-	-	-	6349022	N1L, N5A
	16555-Z0L-800	.....	-	-	1	-	-	-	1	1	-	N1L, N5A
	16555-Z0L-801	.....	-	-	-	-	-	1	-	-	6349022	A2R, A2R/A, N1A, N1A/A, N1L
3	16561-ZM0-V30	SPRING, GOVERNOR .....	1	1	-	1	-	1	-	-	-	A2R, N1A
	16561-Z8B-V30	.....	-	-	1	-	-	-	1	-	1827724	A2R, N1A, N1C, N1L, N5A, N5C
	16561-Z8B-V30	.....	-	-	1	-	-	-	1	-	1827725	A2R, N1A, N1L
4	16562-ZM0-000	SPRING, THROTTLE RETURN .....	1	1	1	1	-	1	1	1	-	A2R, A2R/A, N1A, N1A/A
5	16574-ZE1-000	SPRING, LEVER .....	1	1	1	1	-	1	1	1	-	A2R, A2R/A, N1A, N1A/A, N1C, N1L, N5A, N5C
6	16575-ZE2-W00	WASHER, CONTROL LEVER .....	1	1	1	1	-	1	1	1	-	A2R, A2R/A, N1A, N1A/A, N1C, N1L, N5A, N5C
7	16577-ZM0-V30	PLATE, LEVER CENTER .....	1	1	1	1	-	1	1	1	-	A2R, A2R/A, N1A, N1A/A, N1C, N1L, N5A, N5C
8	16578-ZE1-000	SPACER, CONTROL LEVER .....	1	1	1	1	-	1	1	1	-	A2R, A2R/A, N1A, N1A/A, N1C, N1L, N5A, N5C
9	16580-ZM0-V30	BASE COMP., CONTROL(###) .....	1	1	-	1	-	1	-	-	-	A2R, N1A, N1C, N1L, N5A, N5C
	16580-ZM0-V31	.....	-	-	1	-	-	-	1	1	-	A2R, A2R/A, N1A, N1A/A, N1L
10	16612-ZM0-V30	LEVER, CHOKE(###) .....	1	1	1	1	-	1	1	1	-	A2R, A2R/A, N1A, N1A/A, N1C, N1L, N5A, N5C
11	16674-ZM0-V30	ROD, CHOKE .....	1	1	1	1	-	1	1	1	-	A2R, A2R/A, N1A, N1A/A, N1C, N1L, N5A, N5C
13	35120-ZL8-003	SWITCH ASSY., ENGINE STOP(N.O) .....	1	1	1	1	-	1	-	-	-	A2R, N1A, N1C, N1L, N5A, N5C
	35120-Z1L-J21	.....	-	-	-	-	-	-	1	-	3463429	A2R, N1A
	35120-Z1L-J21	.....	-	-	-	-	-	-	1	-	3463430	A2R, N1A
	35120-Z1L-J21	.....	-	-	-	-	-	-	-	1	-	A2R, A2R/A, N1A, N1A/A

# E-22-1

# CONTROL(2)



ZM00E2201G

Ref. No.	Part No.	Description	Reqd. QTY								Serial No.	Parts catalogue code
			GCV 160	GCV 160 A	GCV 160 A0	GCV 160 E	GCV 160 LE	GCV 160 LA	GCV 160 LA0	GCV 160 LA1		
14	87532-ZM0-V30	MARK, THROTTLE INDICATION . . . .	1	1	1	1	-	1	1	1	-----	A2R, A2R/A, N1A, N1A/A, N1C, N1L, N5A, N5C
15	90015-ZE5-010	BOLT, GOVERNOR ARM . . . . .	1	1	1	1	-	1	1	1	-----	A2R, A2R/A, N1A, N1A/A, N1C, N1L, N5A, N5C
16	90017-883-000	BOLT, FLANGE, 6X32(CT200) . . . .	1	1	1	1	-	1	1	1	-----	A2R, A2R/A, N1A, N1A/A, N1C, N1L, N5A, N5C
17	90016-ZM0-V30	BOLT, SPECIAL, 6X45 . . . . .	1	1	1	1	-	1	1	1	-----	A2R, A2R/A, N1A, N1A/A, N1C, N1L, N5A, N5C
18	90114-SA0-000	NUT, SELF-LOCK, 6MM . . . . .	1	1	1	1	-	1	1	1	-----	A2R, A2R/A, N1A, N1A/A, N1C, N1L, N5A, N5C
19	90136-SM4-901	NUT, SELF-LOCK, 5MM . . . . .	1	1	1	1	-	1	1	1	-----	A2R, A2R/A, N1A, N1A/A, N1C, N1L, N5A, N5C
20	93892-04012-00	SCREW-WASHER, 4X12 . . . . .	1	1	1	1	-	1	1	1	-----	A2R, A2R/A, N1A, N1A/A, N1C, N1L, N5A, N5C
21	94050-06000	NUT, FLANGE, 6MM . . . . .	1	1	1	1	-	1	1	1	-----	A2R, A2R/A, N1A, N1A/A, N1C, N1L, N5A, N5C
22	94103-04000	WASHER, PLAIN, 4MM . . . . .	1	1	1	1	-	1	1	1	-----	A2R, A2R/A, N1A, N1A/A, N1C, N1L, N5A, N5C
24	93500-05016-0A	SCREW, PAN, 5X16 . . . . .	-	1	1	-	-	1	1	-	-----	N1A, N1C, N1L, N5A, N5C
25	16617-VG3-000	HOLDER, CABLE . . . . .	-	1	1	-	-	1	1	-	-----	N1A, N1C, N1L, N5A, N5C







# E-22-2

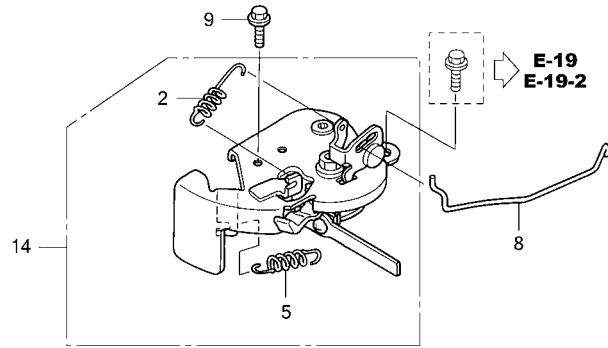
# CONTROL(3)

Ref. No.	Part No.	Description	Reqd. QTY								Serial No.	Parts catalogue code	
			GCV 160	GCV 160 A	GCV 160 A0	GCV 160 E	GCV 160 LE	GCV 160 LA	GCV 160 LA0	GCV 160 LA1			
5	16578-Z0L-810	SPACER, CONTROL LEVER .....	-	1	-	-	-	-	1	1	-	-----	A1AE, A1AF, A3A, E1A2
6	16580-Z0L-810	BASE COMP., CONTROL .....	-	1	-	-	-	-	-	-	-	-----	A1AE, A1AF, A3A, E1A2, R1A, R3A, R3A1, RTL1, S1A, S1A1 S1M, S3A, S3A2, S3H, S3H2, STA1, STL1
	16580-Z0L-830	.....	-	1	-	-	-	-	-	-	-	-----	E1A4, E5A4
	16580-Z0L-810	.....	-	-	1	-	-	-	-	-	-	-----	1160358 S3H2
			-	-	-	-	-	-	1	1	-	-----	A1AF, E1A2
			-	-	-	-	-	-	1	-	-	-----	6901760 S1A, S1M, S3A, S3H
			-	-	-	-	-	-	1	-	-	-----	8028729 R3A
7	16612-Z0L-810	LEVER, CHOKE .....	-	1	-	-	-	-	1	1	-	-----	A1AE, A1AF, A3A, E1A2
8	16613-893-000	GROMMET, CHOKE ROD .....	-	1	-	-	-	-	1	-	-	-----	A1AE, A1AF, A3A, E1A2
			-	2	-	-	-	-	2	-	-	-----	E1A4, E5A4, N1AF, N5AF, N5MF, N5R
			-	2	-	-	-	-	2	-	-	-----	1854820 N1AF, N5AF, N5MF, N5R, N5RB, N5RE
			-	-	-	-	-	-	1	-	-	-----	A1AF, E1A2
9	16674-Z0L-800	ROD, CHOKE .....	-	1	-	-	-	-	1	-	-	-----	E1A4, E5A4, N1AF, N5AF, N5MF, N5R
10	16674-Z0L-810	ROD, CHOKE .....	-	1	-	-	-	-	1	-	-	-----	1854820 N1AF, N5AF, N5MF, N5R, N5RB, N5RE
			-	1	-	-	-	-	1	1	-	-----	A1AE, A1AF, A3A, E1A2
11	35120-Z0L-801	SWITCH ASSY., ENGINE STOP ....	-	1	-	-	-	-	-	-	-	-----	N1AF, N5AF, N5MF, N5R
	35120-Z0L-901	.....	-	-	1	-	-	-	-	1	-	-----	1854820 N1AF, N5AF, N5MF, N5R, N5RB, N5RE
	35120-Z0L-801	.....	-	-	-	-	-	-	1	-	-	-----	6702082 N1AF, N5AF, N5MF, N5R
	35120-Z0L-901	.....	-	-	-	-	-	-	1	-	-	-----	6702083 N1AF, N5AF, N5MF, N5R
12	90015-ZE5-010	BOLT, GOVERNOR ARM .....	-	1	1	-	-	-	1	-	-	-----	A1AE, A1AF, A3A, E1A2, E1A4, E5A4, N1AF, N5AF, N5MF N5R, R1A, R3A, R3A1, RTL1, S1A, S1A1, S1M, S3A, S3A2 S3H, S3H2, S3TE, SBTE, STA1, STL1
			-	-	1	-	-	-	1	-	-	-----	1854820 N1AF, N5AF, N5MF, N5R, N5RB, N5RE
			-	-	-	-	-	-	1	-	-	-----	A1AF, E1A2
13	90016-ZE8-000	BOLT, FLANGE, 6X45(CT200) ....	-	1	-	-	-	-	-	-	-	-----	A1AE, A1AF, A3A, E1A2, E1A4, E5A4, N1AF, N5AF, N5MF N5R, R1A, R3A, R3A1, RTL1, S1A, S1A1, S1M, S3A, S3A2 S3H, S3H2, STA1, STL1
			-	-	1	-	-	-	1	-	-	-----	1854820 N1AF, N5AF, N5MF, N5R, N5RB, N5RE
			-	-	1	-	-	-	-	-	-	-----	1160358 S3H2
			-	-	-	-	-	-	1	-	-	-----	A1AF, E1A2, N1AF, N5AF, N5MF, N5R
			-	-	-	-	-	-	1	-	-	-----	6901760 S1A, S1M, S3A, S3H
			-	-	-	-	-	-	1	-	-	-----	8028729 R3A
			-	-	-	-	-	-	1	-	-	-----	A1AF, E1A2
14	90681-959-003	CLIP A, CABLE(NIFCO) (3.8MM BLACK)	-	1	-	-	-	-	-	-	-	-----	E1A2, N1AF, N5AF, N5MF, N5R
	51125-Z0L-003	HOLDER, WIRE(FASTEX) .....	-	-	1	-	-	-	1	-	-	-----	N1AF, N5AF, N5MF, N5R, S3TE
	90681-959-003	CLIP A, CABLE(NIFCO) (3.8MM BLACK)	-	-	1	-	-	-	1	-	-	-----	1854820 N1AF, N5AF, N5MF, N5R, N5RB, N5RE
			-	-	-	-	-	-	1	-	-	-----	1854820 N1AF, N5AF, N5MF, N5R, N5RB, N5RE
			-	-	-	-	-	-	1	-	-	-----	N1AF, N5AF, N5MF, N5R
15	94050-06000	NUT, FLANGE, 6MM .....	-	1	1	-	-	-	1	-	-	-----	A1AE, A1AF, A3A, E1A2, E1A4, E5A4, N1AF, N5AF, N5MF N5R, R1A, R3A, R3A1, RTL1, S1A, S1A1, S1M, S3A, S3A2 S3H, S3H2, S3TE, SBTE, STA1, STL1
			-	-	1	-	-	-	1	-	-	-----	1854820 N1AF, N5AF, N5MF, N5R, N5RB, N5RE
			-	-	-	-	-	-	1	-	-	-----	A1AF, E1A2
16	94511-14000	CIRCLIP, EXTERNAL, 14MM .....	-	1	-	-	-	-	1	1	-	-----	A1AE, A1AF, A3A, E1A2
17	16580-Z0L-800	BASE COMP., CONTROL .....	-	1	-	-	-	-	1	-	-	-----	N1AF, N5AF, N5MF, N5R
			-	-	1	-	-	-	1	-	-	-----	1854820 N1AF, N5AF, N5MF, N5R, N5RB, N5RE
18	16221-Z0L-900	SPACER, CARBURETOR .....	-	-	1	-	-	-	-	-	-	-----	1827257 N5RE, S3TE, SBTE
			-	-	1	-	-	-	-	-	-	-----	1160359 1827257 S3H2
			-	-	-	-	-	-	1	-	-	-----	6901761 S1A, S1M, S3A, S3H
			-	-	-	-	-	-	1	-	-	-----	8028730 R3A
			-	-	-	-	-	-	1	-	-	-----	1853182 3454521 N1AF, N5AF, N5MF, N5R, N5RB



# E-22-3

# CHOKE BASE



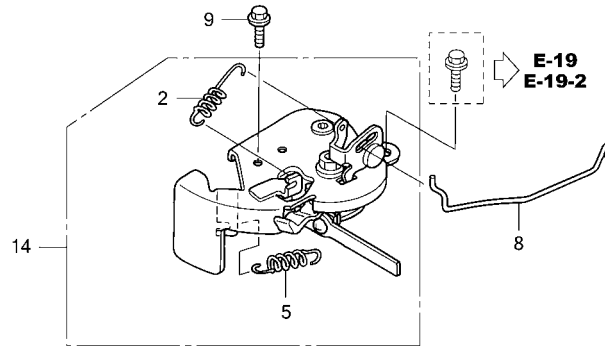
ZM00E2203D

Ref. L.O.N. (Relative ref. Number) F.R.T.  
No. Description

Ref. No.	Part No.	Description	Reqd. QTY									Serial No.	Parts catalogue code
			GCV 160	GCV 160 A	GCV 160 A0	GCV 160 E	GCV 160 LE	GCV 160 LA	GCV 160 LA0	GCV 160 LA1			
2	16592-Z2D-800	SPRING, RETURN .....	-	1	-	-	-	-	-	-	-	-	R1A, R3A, R3A1
	16592-ZJ1-000	SPRING, CABLE RETURN .....	-	1	-	-	-	-	-	-	-	4361726	RTL1, S1A, S1A1, S3A, S3H2, STA1, STL1
	16592-Z2D-800	SPRING, RETURN .....	-	1	-	-	-	-	-	-	4361727	RTL1, S1A, S1A1, S3A, S3H2, STA1, STL1	
			-	-	1	-	-	1	1	-	-	-	R3A, S1A, S3A, S3H2
	16592-ZJ1-000	SPRING, CABLE RETURN .....	-	-	-	1	-	-	-	-	-	-	S1E1, S2E, S2E1
5	16614-Z2D-800	SPRING, CHOKE LEVER .....	-	1	-	-	-	-	-	-	-	-	R1A, R3A, R3A1
	16614-Z0L-800	.....	-	1	-	-	-	-	-	-	4361726	RTL1, S1A, S1A1, S3A, S3H2, STA1, STL1	
	16614-Z2D-800	.....	-	1	-	-	-	-	-	-	4361727	RTL1, S1A, S1A1, S3A, S3H2, STA1, STL1	
			-	-	1	-	-	1	1	-	-	-	R3A, S1A, S3A, S3H2
	16614-Z0L-800	.....	-	-	-	1	-	-	-	-	-	-	S1E1, S2E, S2E1
8	16632-Z0L-800	ROD, STOP .....	-	1	-	1	-	-	-	-	-	-	R1A, R3A, R3A1, RTL1, S1A, S1A1, S1E1, S2E, S2E1, S3A STA1, STL1
			-	1	-	-	-	-	-	-	6928633	S3H2	
	16632-Z0L-801	.....	-	1	-	-	-	-	-	-	6928634	S3H2	
			-	-	1	-	-	-	1	-	-	-	R3A, S1A, S3A, S3H2
	16632-Z0L-800	.....	-	-	-	-	-	1	-	-	6886197	S1A, S3A	
			-	-	-	-	-	1	-	-	8028729	R3A	
	16632-Z0L-801	.....	-	-	-	-	-	1	-	-	6886198	S1A, S3A	
			-	-	-	-	-	1	-	-	8028730	R3A	
9	90022-888-000	BOLT, FLANGE, 6X20 .....	-	1	-	1	-	-	-	-	-	-	R1A, R3A, R3A1, RTL1, S1A, S1A1, S2E, S3A, S3H2, STA1 STL1
	90022-888-010	BOLT, FLANGE, 6X20(CT200) .....	-	-	1	-	-	1	1	-	-	-	R3A, S1A, S3A, S3H2
	90022-888-000	BOLT, FLANGE, 6X20 .....	-	-	-	1	-	-	-	-	3400102	S1E1, S2E1	
	90021-Z1L-000	BOLT, FLANGE, 6X21 .....	-	-	-	1	-	-	-	-	3400103	S1E1, S2E1	
14	16610-Z2D-801	LEVER ASSY., CHOKE .....	-	1	-	-	-	-	-	-	-	-	R1A, R3A, R3A1
	16610-Z0L-800	.....	-	1	-	-	-	-	-	-	4361726	RTL1, S1A, S1A1, S3A, S3H2, STA1, STL1	
	16610-Z2D-801	.....	-	1	-	-	-	-	-	-	4361727	RTL1, S1A, S1A1, S3A, S3H2, STA1, STL1	
	16610-Z2D-802	.....	-	-	1	-	-	-	1	-	-	-	R3A, S1A, S3A, S3H2

**E-22-3**

**CHOKE BASE**



**FR.** ←

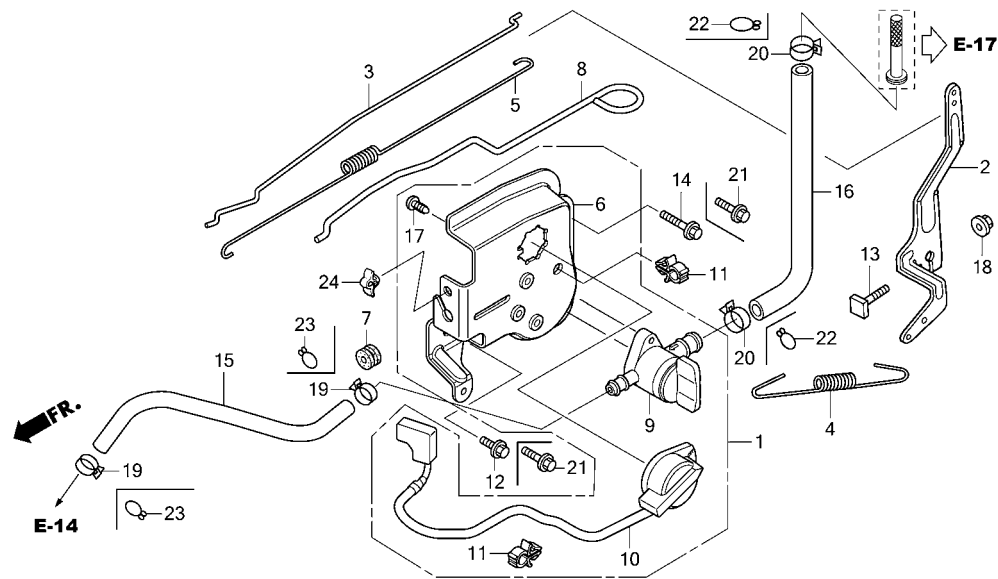
ZM00E2203D

**2**

Ref. No.	Part No.	Description	Reqd. QTY										Serial No.	Parts catalogue code	
			GCV 160	GCV 160 A	GCV 160 A0	GCV 160 E	GCV 160 LE	GCV 160 LA	GCV 160 LA0	GCV 160 LA1					
14)	16610-Z0L-800	LEVER ASSY., CHOKE	-	-	-	1	-	-	-	-	-	-	-	-----	S1E1,S2E,S2E1
	16610-Z2D-801	.....	-	-	-	-	-	1	-	-	-	-	-----	R3A,S1A,S3A	

# E-22-4

# CONTROL(4)



ZM00E2204C

Ref. L.O.N. (Relative ref. Number) F.R.T.  
No. Description

Ref. No.	Part No.	Description	Reqd. QTY								Serial No.	Parts catalogue code
			GCV 160	GCV 160 A	GCV 160 A0	GCV 160 E	GCV 160 LE	GCV 160 LA	GCV 160 LA0	GCV 160 LA1		
1	16500-Z8D-000	CONTROL ASSY. ....	-	-	1	-	-	-	1	-	1854821	----- N1AF, N5AF, N5MF, N5R, N5RB, N5RE
2	16551-ZM0-010	ARM, GOVERNOR .....	-	-	1	-	-	-	1	-	1854821	----- N1AF, N5AF, N5MF, N5R, N5RB, N5RE
			-	-	1	-	-	-	-	-	----- S3AL, S3DB, S4BB, S4GB, S4HB	
			-	-	-	-	-	-	1	-	----- G5AF, G5B, G5BR, G5MF, N5B, N5BR, S3B	
			-	-	-	-	-	-	1	-	----- G5AF, G5AF/A, G5B, G5B/A, G5BR, G5BR/A, G5MF, G5MF/A	
			-	-	-	-	-	-	-	1	----- N5AF, N5AF/A, N5B, N5B/A, N5BR, N5BR/A	
			-	-	1	-	-	-	1	-	1854821	----- N1AF, N5AF, N5MF, N5R, N5RB, N5RE
			-	-	1	-	-	-	-	-	----- S3AL, S3DB, S4BB, S4GB, S4HB	
			-	-	-	-	-	-	1	-	----- G5AF, G5B, G5BR, G5MF, N5B, N5BR, S3B	
			-	-	-	-	-	-	1	-	----- G5AF, G5AF/A, G5B, G5B/A, G5BR, G5BR/A, G5MF, G5MF/A	
			-	-	-	-	-	-	-	1	----- N5AF, N5AF/A, N5B, N5B/A, N5BR, N5BR/A	
3	16555-Z0L-801	ROD, GOVERNOR .....	-	-	1	-	-	-	1	-	1854821	----- N1AF, N5AF, N5MF, N5R, N5RB, N5RE
			-	-	1	-	-	-	-	-	----- S3AL, S3DB, S4BB, S4GB, S4HB	
			-	-	-	-	-	-	1	-	----- G5AF, G5B, G5BR, G5MF, N5B, N5BR, S3B	
			-	-	-	-	-	-	1	-	----- G5AF, G5AF/A, G5B, G5B/A, G5BR, G5BR/A, G5MF, G5MF/A	
			-	-	-	-	-	-	-	1	----- N5AF, N5AF/A, N5B, N5B/A, N5BR, N5BR/A	
			-	-	-	-	-	-	-	1	----- S3AL, S4BB, S4GB, S4HB	
			-	-	-	-	-	-	-	1	----- S3DB	
			-	-	-	-	-	-	-	1	----- N5RE	
			-	-	-	-	-	-	1	-	----- G5AF, G5B, G5BR, G5MF	
			-	-	-	-	-	-	1	-	----- N5B, N5BR	
4	16561-Z0L-900 16561-Z0L-000 16561-Z8B-V30	SPRING, GOVERNOR .....	-	-	1	-	-	-	-	-	----- S3AL, S4BB, S4GB, S4HB	
			-	-	1	-	-	-	-	-	----- S3DB	
			-	-	1	-	-	-	-	-	1854821	----- N5RE
			-	-	-	-	-	-	1	-	----- G5AF, G5B, G5BR, G5MF	
			-	-	-	-	-	-	1	-	----- N5B, N5BR	
			-	-	-	-	-	-	1	-	----- 7480466 S3B	
			-	-	-	-	-	-	1	-	1854821	3116717 N1AF, N5AF, N5MF, N5R, N5RB
			-	-	-	-	-	-	1	-	3116718	3293397 N1AF, N5AF, N5MF, N5R, N5RB
			-	-	-	-	-	-	1	-	3293398	N1AF, N5AF, N5MF, N5R, N5RB
			-	-	-	-	-	-	1	-	4312867	----- N5B, N5BR
5	16562-ZM0-000	SPRING, THROTTLE RETURN .....	-	-	1	-	-	-	1	-	1854821	----- S3B
			-	-	1	-	-	-	-	-	----- G5AF, G5AF/A, G5B, G5B/A, G5BR, G5BR/A, G5MF, G5MF/A	
			-	-	-	-	-	-	1	-	----- N5AF, N5AF/A, N5B, N5B/A, N5BR, N5BR/A	
			-	-	-	-	-	-	-	1	----- S3AL, S3DB, S4BB, S4GB, S4HB	
			-	-	-	-	-	-	1	-	----- G5AF, G5B, G5BR, G5MF, N5B, N5BR, S3B	
			-	-	-	-	-	-	1	-	----- G5AF, G5AF/A, G5B, G5B/A, G5BR, G5BR/A, G5MF, G5MF/A	
			-	-	-	-	-	-	-	1	----- N5AF, N5AF/A, N5B, N5B/A, N5BR, N5BR/A	
			-	-	-	-	-	-	-	1	----- S3AL, S3DB, S4BB, S4GB, S4HB	
			-	-	-	-	-	-	1	-	----- G5AF, G5B, G5BR, G5MF, N5B, N5BR, S3B	
			-	-	-	-	-	-	1	-	----- G5AF, G5AF/A, G5B, G5B/A, G5BR, G5BR/A, G5MF, G5MF/A	

**E-22-4**

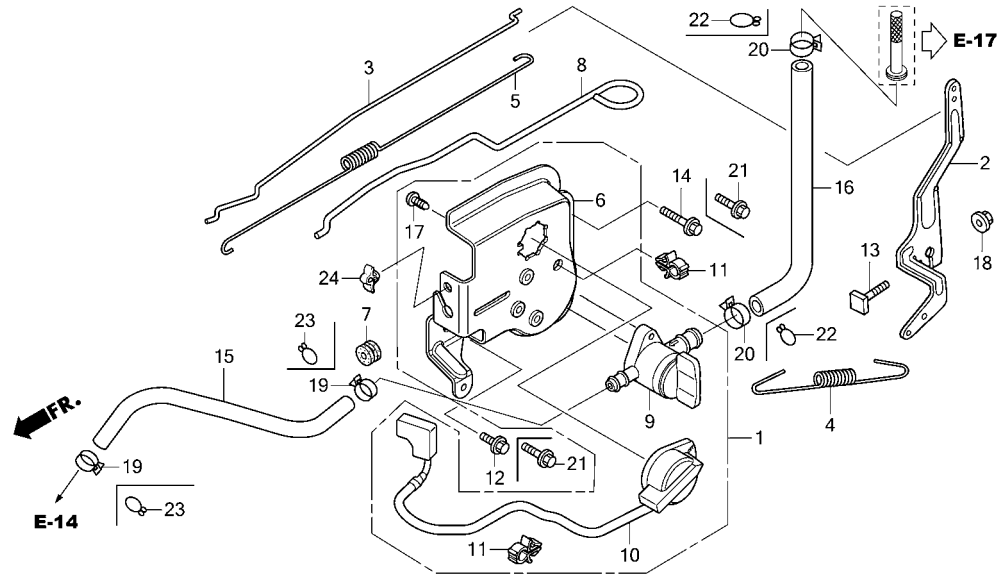
**CONTROL(4)**

Ref. No.	Part No.	Description	Reqd. QTY										Serial No.	Parts catalogue code
			GCV 160	GCV 160 A	GCV 160 A0	GCV 160 E	GCV 160 LE	GCV 160 LA	GCV 160 LA0	GCV 160 LA1				
6	16581-Z8D-000	BASE, CONTROL .....	-	-	1	-	-	-	1	-	-	1854821	-----	N1AF, N5AF, N5MF, N5R, N5RB, N5RE G5AF, G5B, G5BR, G5MF, N5B, N5BR
			-	-	-	-	-	-	-	-	1	-----	G5AF, G5AF/A, G5B, G5B/A, G5BR, G5BR/A, G5MF, G5MF/A N5AF, N5AF/A, N5B, N5B/A, N5BR, N5BR/A	
7	16613-893-000	GROMMET, CHOKE ROD .....	-	-	1	-	-	-	1	-	-	1854821	-----	N1AF, N5AF, N5MF, N5R, N5RB, N5RE G5AF, G5B, G5BR, G5MF, N5B, N5BR
			-	-	-	-	-	-	-	-	1	-----	G5AF, G5AF/A, G5B, G5B/A, G5BR, G5BR/A, G5MF, G5MF/A N5AF, N5AF/A, N5B, N5B/A, N5BR, N5BR/A	
8	16674-Z8D-800	ROD, CHOKE .....	-	-	1	-	-	-	1	-	-	1854821	-----	N1AF, N5AF, N5MF, N5R, N5RB, N5RE G5AF, G5B, G5BR, G5MF, N5B, N5BR
			-	-	-	-	-	-	-	-	1	-----	G5AF, G5AF/A, G5B, G5B/A, G5BR, G5BR/A, G5MF, G5MF/A N5AF, N5AF/A, N5B, N5B/A, N5BR, N5BR/A	
9	16950-Z0Y-003	COCK ASSY., FUEL .....	-	-	1	-	-	-	1	-	-	1854821	-----	N1AF, N5AF, N5MF, N5R, N5RB, N5RE G5AF, G5B, G5BR, G5MF, N5B, N5BR
			-	-	-	-	-	-	-	-	1	-----	G5AF, G5AF/A, G5B, G5B/A, G5BR, G5BR/A, G5MF, G5MF/A N5AF, N5AF/A, N5B, N5B/A, N5BR, N5BR/A	
10	35120-Z8D-901	SWITCH ASSY., ENGINE STOP .....	-	-	1	-	-	-	-	-	-	1854821	1938299	N5RE
	35120-Z8B-911	.....	-	-	1	-	-	-	-	-	-	1938300	-----	N5RE
	35120-Z8D-901	.....	-	-	-	-	-	-	1	-	-	7847142	-----	G5AF, G5B, G5BR, G5MF, N5B, N5BR
	35120-Z8B-911	.....	-	-	-	-	-	-	1	-	-	1854821	3541630	N1AF, N5AF, N5MF, N5R, N5RB
	35120-Z8B-913	.....	-	-	-	-	-	-	1	-	-	3541631	7847142	N1AF, N5AF, N5MF, N5R, N5RB
	35120-Z8B-912	.....	-	-	-	-	-	-	1	-	-	7847143	-----	G5AF, G5B, G5BR, G5MF, N5AF, N5B, N5BR
	35120-Z8B-913	.....	-	-	-	-	-	-	1	-	-	7847143	-----	N1AF, N5MF, N5R, N5RB
			-	-	-	-	-	-	-	1	-----	G5AF, G5AF/A, G5B, G5B/A, G5BR, G5BR/A, G5MF, G5MF/A N5AF, N5AF/A, N5B, N5B/A, N5BR, N5BR/A		
11	51125-Z0L-003	HOLDER, WIRE(FASTEX) .....	-	-	2	-	-	-	2	-	-	1854821	-----	N1AF, N5AF, N5MF, N5R, N5RB, N5RE G5AF, G5B, G5BR, G5MF, N5B, N5BR
			-	-	-	-	-	-	-	-	1	-----	G5AF, G5AF/A, G5B, G5B/A, G5BR, G5BR/A, G5MF, G5MF/A N5AF, N5AF/A, N5B, N5B/A, N5BR, N5BR/A	
12	90013-883-000	BOLT, FLANGE, 6X12(CT200) .....	-	-	1	-	-	-	1	-	-	1854821	-----	N1AF, N5AF, N5MF, N5R, N5RB, N5RE G5AF, G5MF
			-	-	-	-	-	-	-	-	1	-----	G5AF, G5AF/A, G5MF, G5MF/A, N5AF, N5AF/A	
13	90015-ZE5-010	BOLT, GOVERNOR ARM .....	-	-	1	-	-	-	1	-	-	1854821	-----	N1AF, N5AF, N5MF, N5R, N5RB, N5RE S3AL, S3DB, S4BB, S4GB, S4HB
			-	-	1	-	-	-	1	-	-	-----	G5AF, G5B, G5BR, G5MF, N5B, N5BR, S3B	
			-	-	-	-	-	-	-	-	1	-----	G5AF, G5AF/A, G5B, G5B/A, G5BR, G5BR/A, G5MF, G5MF/A N5AF, N5AF/A, N5B, N5B/A, N5BR, N5BR/A	
14	90017-883-000	BOLT, FLANGE, 6X32(CT200) .....	-	-	1	-	-	-	1	-	-	1854821	-----	N1AF, N5AF, N5MF, N5R, N5RB, N5RE G5AF, G5MF
			-	-	-	-	-	-	-	-	1	-----	G5AF, G5AF/A, G5MF, G5MF/A, N5AF, N5AF/A	
15	91424-Z8D-801	TUBE, FUEL, 4.5X140(FKM) .....	-	-	1	-	-	-	-	-	-	1854821	-----	N5RE
	91424-Z8D-901	TUBE, FUEL, 4.5X140 .....	-	-	-	-	-	-	1	-	-	-----	G5AF, G5B, G5BR, G5MF, N5B, N5BR	
	91424-Z8D-801	TUBE, FUEL, 4.5X140(FKM) .....	-	-	-	-	-	-	1	-	-	1854821	2748628	N1AF, N5AF, N5MF, N5R, N5RB
	91424-Z8D-901	TUBE, FUEL, 4.5X140 .....	-	-	-	-	-	-	1	-	-	2748629	-----	N1AF, N5AF, N5MF, N5R, N5RB G5AF, G5AF/A, G5B, G5B/A, G5BR, G5BR/A, G5MF, G5MF/A N5AF, N5AF/A, N5B, N5B/A, N5BR, N5BR/A
			-	-	-	-	-	-	-	-	1	-----	G5AF, G5AF/A, G5B, G5B/A, G5BR, G5BR/A, G5MF, G5MF/A N5AF, N5AF/A, N5B, N5B/A, N5BR, N5BR/A	
16	91427-Z8D-801	TUBE, FUEL, 7.3X145(FKM) .....	-	-	1	-	-	-	-	-	-	1854821	2451352	N5RE
	91427-Z8D-901	TUBE, FUEL, 7.3X145 .....	-	-	-	-	-	-	1	-	-	-----	G5AF, G5B, G5BR, G5MF, N5B, N5BR	
	91427-Z8D-801	TUBE, FUEL, 7.3X145(FKM) .....	-	-	-	-	-	-	1	-	-	1854821	2748628	N1AF, N5AF, N5MF, N5R, N5RB
	91427-Z8D-901	TUBE, FUEL, 7.3X145 .....	-	-	-	-	-	-	1	-	-	2748629	-----	N1AF, N5AF, N5MF, N5R, N5RB G5AF, G5AF/A, G5B, G5B/A, G5BR, G5BR/A, G5MF, G5MF/A N5AF, N5AF/A, N5B, N5B/A, N5BR, N5BR/A
			-	-	-	-	-	-	-	-	1	-----	G5AF, G5AF/A, G5B, G5B/A, G5BR, G5BR/A, G5MF, G5MF/A N5AF, N5AF/A, N5B, N5B/A, N5BR, N5BR/A	
17	93913-25220	SCREW, TAPPING, 5X12(PO) .....	-	-	1	-	-	-	1	-	-	1854821	-----	N1AF, N5AF, N5MF, N5R, N5RB, N5RE G5AF, G5B, G5BR, G5MF, N5B, N5BR
			-	-	-	-	-	-	-	-	1	-----	G5AF, G5AF/A, G5B, G5B/A, G5BR, G5BR/A, G5MF, G5MF/A N5AF, N5AF/A, N5B, N5B/A, N5BR, N5BR/A	



E-22-4

CONTROL(4)



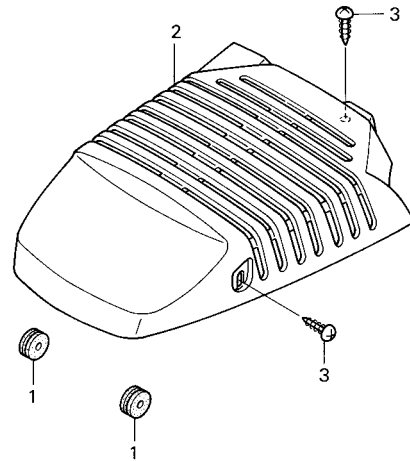
ZM00E2204C

Ref. No.	Part No.	Description	Reqd. QTY								Serial No.	Parts catalogue code
			GCV 160	GCV 160 A	GCV 160 A0	GCV 160 E	GCV 160 LE	GCV 160 LA	GCV 160 LA0	GCV 160 LA1		
18	94050-06000	NUT, FLANGE, 6MM.....	-	-	1	-	-	-	1	-	1854821	----- N1AF, N5AF, N5MF, N5R, N5RB, N5RE ----- S3AL, S3DB, S4BB, S4GB, S4HB ----- G5AF, G5B, G5BR, G5MF, N5B, N5BR, S3B ----- G5AF, G5AF/A, G5B, G5B/A, G5BR, G5BR/A, G5MF, G5MF/A ----- N5AF, N5AF/A, N5B, N5B/A, N5BR, N5BR/A
19	95002-40800-08	CLAMP, TUBE(D8).....	-	-	2	-	-	-	-	-	1854821	----- N5RE
20	95002-41200-08	CLAMP, TUBE(D12).....	-	-	2	-	-	-	-	-	1854821	2748628 N1AF, N5AF, N5MF, N5R, N5RB
			-	-	-	-	-	-	2	-	1854821	2451352 N5RE
			-	-	-	-	-	-	-	-	1854821	2748628 N1AF, N5AF, N5MF, N5R, N5RB
21	90014-952-000	BOLT, FLANGE, 6X14(CT200)....	-	-	-	-	-	-	2	2	-----	----- G5B, G5B/A, G5BR, G5BR/A, N5B, N5B/A, N5BR, N5BR/A
22	95002-02130	CLIP, TUBE(B12.5).....	-	-	-	-	-	-	2	2	-----	----- G5AF, G5B, G5BR, G5MF, N5B, N5BR ----- N1AF, N5AF, N5MF, N5R, N5RB ----- 2748629 ----- G5AF, G5AF/A, G5B, G5B/A, G5BR, G5BR/A, G5MF, G5MF/A ----- N5AF, N5AF/A, N5B, N5B/A, N5BR, N5BR/A
23	95002-50000	CLIP, TUBE(C9).....	-	-	-	-	-	-	2	-	-----	----- G5AF, G5B, G5BR, G5MF, N5B, N5BR ----- N1AF, N5AF, N5MF, N5R, N5RB ----- 2748629 ----- G5AF, G5AF/A, G5B, G5B/A, G5BR, G5BR/A, G5MF, G5MF/A ----- N5AF, N5AF/A, N5B, N5B/A, N5BR, N5BR/A
24	51125-Z0L-003	HOLDER, WIRE(FASTEX).....	-	-	1	-	-	-	-	-	1854821	----- N5RE ----- G5B, G5BR ----- 1 ----- G5B, G5BR ----- 1 ----- G5B, G5B/A, G5BR, G5BR/A, N5B, N5B/A, N5BR, N5BR/A



**E-27**

**TOP COVER**



ZM00-E2700

Ref. L.O.N. (Relative ref. Number) F.R.T.  
No. Description

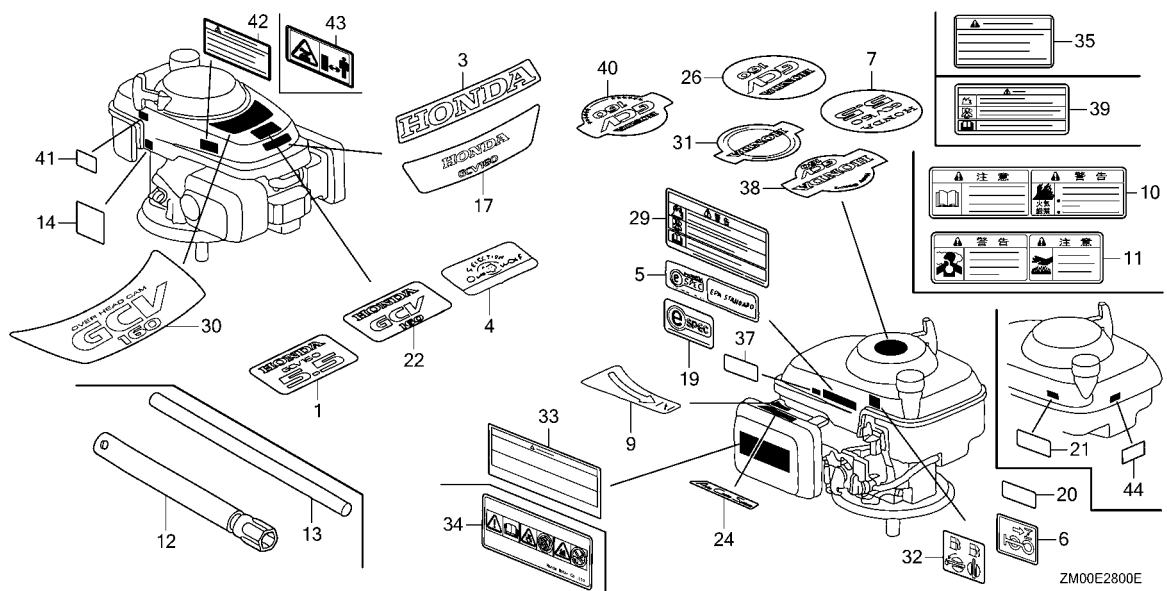
Ref. No.	Part No.	Description	Reqd. QTY										Serial No.	Parts catalogue code
			GCV 160	GCV 160 A	GCV 160 A0	GCV 160 E	GCV 160 LE	GCV 160 LA	GCV 160 LA0	GCV 160 LA1				
1	16613-883-610	GROMMET, CHOKE ROD.....	-	2	2	2	-	-	-	-	-	-	-	A1G9, A2A9, A2G9, A3E9, A3G9, A4G9, C1E1, C2E1, C3E1, C4E1, NBL1, R3A1, RTL1, S1A1, S1E1, S2E1, S2E2, S2E3, S3E9, S3G9, S4E9, S4G9, STA1, STL1
2	19721-Z0L-000ZB	COVER, TOP	-	1	1	-	-	-	-	-	-	-	-	C1E1, C2E1
	19721-Z0L-000ZC	*NH246*.....LOOSEY GRAY	-	1	1	-	-	-	-	-	-	-	-	C1E1, C2E1
	19721-Z0L-000ZA	*R280R*.....POWER RED	-	1	1	-	-	-	-	-	-	-	-	C1E1, C2E1, C3E1, C4E1, NBL1, R3A1, RTL1, S1A1, STA1, STL1
	19721-Z0M-000ZA	*NH1*.....BLACK	-	-	-	1	-	-	-	-	-	-	-	A1G9, A2A9, A2G9, A3E9, A3G9, A4G9, S1E1, S2E1, S2E2, S2E3, S3E9, S3G9, S4E9, S4G9
	19721-Z0M-000ZE	*R280*.....POWER RED	-	-	-	1	-	-	-	-	-	-	-	A1G9, A4G9, S2E2, S2E3, S3E9, S3G9, S4E9, S4G9
	19721-Z0M-000ZB	*NH246*.....LOOSEY GRAY	-	-	-	1	-	-	-	-	-	-	-	A2G9, S2E1, S2E2, S2E3, S3E9, S3G9, S4E9, S4G9
	19721-Z0M-000ZD	*R8*.....BRIGHT RED	-	-	-	1	-	-	-	-	-	1196409	-	A2G9, S2E1
	19721-Z0M-000ZE	*R280*.....POWER RED	-	-	-	1	-	-	-	-	-	1196410	-	A2G9, S2E1
3	90137-SH3-000	SCREW, TAPPING, 4X16.....	-	3	3	3	-	-	-	-	-	-	-	A1G9, A2A9, A2G9, A3E9, A3G9, A4G9, C1E1, C2E1, C3E1, C4E1, NBL1, R3A1, RTL1, S1E1, S2E1, S2E2, S2E3, S3E9, S3G9, S4E9, S4G9, STA1, STL1
	93903-24480	.....	-	3	-	-	-	-	-	-	-	-	-	S1A1





# E-28

# LABEL/TOOL



Ref. No. L.O.N. (Relative ref. Number) Description F.R.T.

Ref. No.	Part No.	Description	Reqd. QTY									Serial No.	Parts catalogue code	
			GCV 160	GCV 160 A	GCV 160 A0	GCV 160 E	GCV 160 LE	GCV 160 LA	GCV 160 LA0	GCV 160 LA1				
1	87101-ZM0-010	MARK, EMBLEM(GCV160 5.5).....	1	-	-	-	-	1	-	-	-	-	A1C, A2C, E1A2, N1J1, N1U	
	87101-ZM0-000	.....	1	-	-	-	-	-	-	-	-	-	A1A, A1E7, A1E8, A1G7, A1J, A2A, A2E7, A2E8, A2E9 A2G7, A2R, N1E7, N1R, N1W7, N2E7, N2E8, N2E9	
		.....	1	-	-	-	-	-	-	-	-	1212768	N2U	
		.....	1	-	-	-	-	-	-	-	2414991	2425659	N1W9	
	87101-ZM0-010	.....	1	-	-	-	-	-	-	-	2425660	-	N1W9	
	87101-ZM0-000	.....	-	1	-	-	-	-	-	-	-	-	A1C, A1E8, A2A, A2C, A2E8, A2E9, A2G7, N1C, N1E7, N1W7 N2E7, N2E8, N2E9, N5C, S1A1	
	87101-ZM0-010	.....	-	1	-	-	-	-	-	-	-	-	A1E, A3E, E1A2, E1A4, E1G7, E2G7, E5A4, N1E1, R1A R3A1	
		.....	-	1	-	-	-	-	-	-	-	-	6110904	A1A, A1AF, A1AS, A1E7, A2E7, A2R, N1A, N1AF, N1U, N5A N5AF, N5MF, S1A, S3A2
		.....	-	1	-	-	-	-	-	-	-	-	6600167	A1M, N1L, N1R, S2G7
		.....	-	-	-	1	-	-	-	-	-	-	-	N1J1, N1W9
	.....	-	-	-	1	-	-	-	-	-	-	-	2178057	A1E7, A1E8, A1G7, A1G9, A2E7, A2E8, A2E9, A2G7, A2G9 A3E7, A3W8, N1E1, N1E2, N1E7, N1T8, N1T9, N1W7, N2E7 N2E8, N2E9, N3T8, N3T9, S1E1, S2E, S2E1
87101-ZM0-800	.....	.....	-	-	-	1	-	-	-	-	-	-	2189259	A2A9, A2R, N1D, N1R
	.....	.....	-	-	-	1	-	-	-	-	-	-	2189259	A3E9
	.....	.....	-	-	-	1	-	-	-	-	-	2178058	2189259	A1E7, A1E8, A1G7, A1G9, A2E7, A2E8, A2E9, A2G7, A2G9 A3E7, A3W8, N1E1, N1E2, N1E7, N1T8, N1T9, N1W7, N2E7 N2E8, N2E9, N3T8, N3T9, S1E1, S2E, S2E1
87101-ZM0-010	.....	.....	-	-	-	-	-	1	-	-	-	-	5411576	A1AF, A2R, N1A, N1AF, N5AF, N5MF, S1A
3	87531-ZM0-J00	MARK, HONDA.....	1	-	-	-	-	-	-	-	-	-	2425659	A1P
	87531-ZM0-J01	.....	1	-	-	-	-	-	-	-	-	-	2425660	A1P
	87531-Z0Y-M11ZB	*TYPE2*.....	-	-	1	-	-	1	-	-	-	-	-	N5R, N5RE
	87531-ZM0-J01	.....	-	-	-	1	-	-	-	-	-	-	-	A1P
	87531-Z0Y-M11ZA	*TYPE1*.....	-	-	-	-	-	1	1	1	-	-	-	N5R, N5RB
	87101-ZM0-V51	EMBLEM(WOLF).....	1	-	-	-	-	-	-	-	-	-	-	-

# E-28

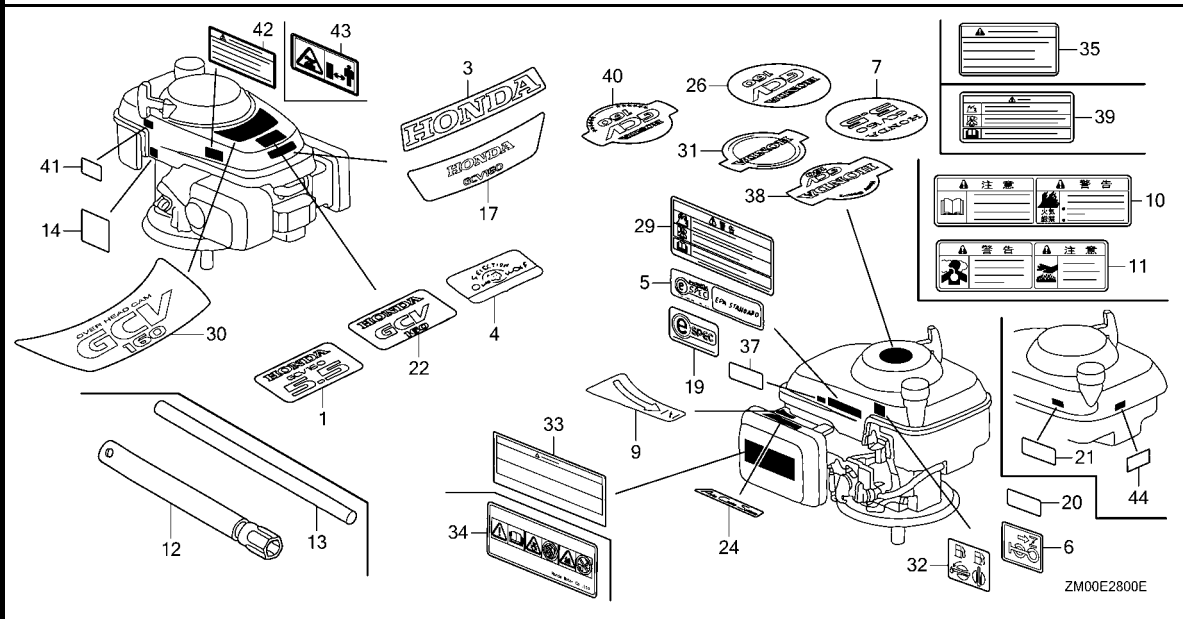
# LABEL/TOOL

Ref. No.	Part No.	Description	Reqd. QTY										Serial No.	Parts catalogue code	
			GCV 160	GCV 160 A	GCV 160 A0	GCV 160 E	GCV 160 LE	GCV 160 LA	GCV 160 LA0	GCV 160 LA1					
(4)	87101-ZM0-V50	EMBLEM(WOLF).....	1	-	-	-	-	-	-	-	-	-	2414990	N1W9	
	87101-Z0M-U30	MARK, EMBLEM(WOLF).....	-	1	-	-	-	-	-	-	-	-	-----	A1W7, N1W8, N1W9	
			-	-	-	1	-	-	-	-	-	-	-----	A3W7, N3W8, N3W9	
	87101-ZM0-V50	EMBLEM(WOLF).....	-	-	-	1	-	-	-	-	-	-	1284378	A1W7, N1W8	
	87101-ZM0-V51	.....	-	-	-	1	-	-	-	-	-	-	1344979	A1W7, N1W8	
	87101-Z0M-U30	MARK, EMBLEM(WOLF).....	-	-	-	1	-	-	-	-	-	-	1344980	-----	A1W7, N1W8, N1W9
5	87135-ZE2-010	LABEL, E-SPEC(EPA STANDARD) (15.5X60.0)	1	-	-	-	-	-	-	-	-	-	-----	2436351	A1E, A1E7, A1E8, A1G7, A1P, A1W2, A1W7, A2E, A2E4 A2E7, A2E8, A2E9, A2G7, A3E, A7E1, N1, N1D, N1E1, N1E2 N1E7, N1R, N1U, N1W, N1W1, N1W2, N1W7, N1W8, N1W9, N2 N2E, N2E1, N2E3, N2E7, N2E8, N2E9, N2U, N3U, N3V
6	87528-ZL8-000	MARK, CHOKE.....	-	1	1	-	-	1	1	1	-	-	-----	-----	E1A4, E5A4, G5AF, G5AF/A, G5B, G5B/A, G5BR, G5BR/A G5MF, G5MF/A, N1AF, N5AF, N5AF/A, N5B, N5B/A, N5BR N5BR/A, N5MF, N5R, N5RB, N5RE
7	87101-Z0L-780	MARK, EMBLEM(GCV160 5.5).....	1	1	-	-	-	1	-	-	-	-	-----	-----	A7E1, N7A1, N7S1
			-	-	-	1	-	-	-	-	-	-	2189259	N7A1	
			-	-	-	1	-	-	-	-	-	-	2674958	A7E1	
	87101-Z0L-800	.....	-	-	-	1	-	-	-	-	-	-	2674959	A7E1	
	87101-Z0L-801	.....	-	-	-	1	-	-	-	-	-	-	2189259	N7A1	
9	87528-Z0L-800	MARK, CHOKE INDICATION.....	-	1	1	1	-	1	1	1	-	-	-----	-----	S1A, S1A1, S1E1, S2E, S2E1, S3H2, STA1
	87528-Z0L-V20	.....	-	1	-	-	-	1	1	-	-	-	-----	-----	R1A, R3A, R3A1, RTL1, S3A, STL1
10	87520-ZL8-810	MARK A, COMBINATION(J).....	1	-	-	1	-	-	-	-	-	-	-----	-----	N1J1
11	87526-ZL8-810	MARK B, COMBINATION(J).....	1	-	-	1	-	-	-	-	-	-	-----	-----	N1J1
12	89218-ZE1-000	WRENCH COMP., SPARK PLUG.....	1	-	-	1	-	-	-	-	-	-	-----	-----	N1J1
13	89219-805-000	HANDLE, BOX WRENCH.....	1	-	-	1	-	-	-	-	-	-	-----	-----	N1J1
14	87594-VG3-010	MARK, OIL CAUTION.....	-	1	-	-	-	-	-	-	-	-	-----	-----	NBL1, R3A1, RTL1, STA1, STL1
17	87102-Z0L-000	MARK, EMBLEM(GCV160).....	-	-	1	-	-	-	-	-	-	-	-----	-----	A4G4
	87102-Z1L-V52	.....	-	-	-	1	-	-	-	-	-	-	-----	-----	A4G4, S1G4, S4G4
	87102-Z1L-800	MARK, EMBLEM(GCV160)(ACS)....	-	-	-	1	-	-	-	-	-	-	-----	-----	S4H4
	87102-Z1L-V51	MARK, EMBLEM(GCV160).....	-	-	-	1	-	-	-	-	-	-	2178057	A2G4	
	87102-Z1L-V52	.....	-	-	-	1	-	-	-	-	-	-	3216180	S4E4	
			-	-	-	1	-	-	-	-	-	-	2178058	A2G4	
	87102-Z1L-800	MARK, EMBLEM(GCV160)(ACS)....	-	-	-	1	-	-	-	-	-	-	3216181	S4E4	
19	87135-ZE2-020	LABEL, E-SPEC(15.5X27.5).....	1	-	-	-	-	-	-	-	-	-	-----	-----	N1J1
			1	-	-	-	-	-	-	-	-	-	2436352	-----	A1E, A1E7, A1E8, A1G7, A1P, A1W2, A1W7, A2E, A2E4 A2E7, A2E8, A2E9, A2G7, A3E, A7E1, N1, N1D, N1E1, N1E2 N1E7, N1R, N1U, N1W, N1W1, N1W2, N1W7, N1W8, N1W9, N2 N2E, N2E1, N2E3, N2E7, N2E8, N2E9, N2U, N3U, N3V
			-	1	-	-	-	-	-	-	-	-	-----	-----	A1E, A3E
			-	1	-	-	-	-	-	-	-	-	2175263	N1E1, N1R, N1U, N2U, N3U, N3V	
			-	1	-	-	-	-	-	-	-	-	2786632	A1E7, A1E8, A1W7, A2E7, A2E8, A2E9, A2G7, A7E1, N1E7 N1W7, N1W8, N1W9, N2E7, N2E8, N2E9	
			-	-	-	1	-	-	-	-	-	-	-----	-----	A1P, N1D, N1E1, N1E2, N1J1, N1R
			-	-	-	1	-	-	-	-	-	-	1423175	A1E7, A1E8, A1G7, A1G9, A1W7, A2E7, A2E8, A2E9, A2G4 A2G7, A2G9, A3E7, A7E1, N1E7, N1T8, N1T9, N1W7, N1W8 N1W9, N2E7, N2E8, N2E9, S1E1, S2E, S2E1	
20	87114-ZH7-000	LABEL, WARNING (NOT CERTIFIED FOR SALE)	-	1	1	-	-	-	-	-	-	-	-----	-----	A1AW
	87114-ZH7-821	.....	-	1	-	-	-	-	-	-	-	-	-----	-----	A1A, A1AS, A1C, A2A, A2C, A2R, BHH, E1A2, E1A4, E5A4 EHHB, N1A, N1C, N5A, N5C, N5MF, N5R, N7A1, NBL1, R1A R3A, R3A1, RTL1, S1A, S1A1, S1M, S3A, STA1, STL1
	87114-ZH7-840	.....	-	1	-	-	-	-	-	-	-	-	-----	-----	BHH1, C3E, C3E1, C4E, C4E1, S2G7
	87114-ZH7-810	.....	-	1	-	-	-	-	-	-	-	-	-----	-----	N1R, N1U, N2U, N3U, N3V
	87114-ZH7-820	.....	-	1	-	-	-	-	-	-	-	-	4062255	A1AE, A1AF, A3A, N1AF, N5AF	
			-	1	-	-	-	-	-	-	-	-	4803407	S3A2, S3H	



# E-28

# LABEL/TOOL



ZM00E2800E

Ref. No.	Part No.	Description	Reqd. QTY									Serial No.	Parts catalogue code	
			GCV 160	GCV 160 A	GCV 160 A0	GCV 160 E	GCV 160 LE	GCV 160 LA	GCV 160 LA0	GCV 160 LA1				
20)	87114-ZH7-821	LABEL, WARNING (NOT CERTIFIED FOR SALE)	-	1	-	-	-	-	-	-	-	4062256	-----	A1AE, A1AF, A3A, N1AF, N5AF
			-	1	-	-	-	-	-	-	-	4803408	-----	S3A2, S3H
	87114-ZH7-840	.....	-	1	-	-	-	-	-	-	-	5125202	-----	A1E, A1E7, A1E8, A1M, A1W7, A2E7, A2E8, A2E9, A2G7 A3E, A7E1, N1E7, N1L, N1W7, N1W8, N1W9, N2E7, N2E8 N2E9, N7S1, S3H2
			-	1	-	-	-	-	-	-	-	8015580	-----	E1G7, E2G7
			-	-	1	-	-	-	-	-	-	-----	-----	A1E7, A1G7, A1M, A2E7, A3G7, A3HV, A3T9, A4G4, A4G7 BHH1, C1E, C1E1, C2E, C2E1, C3E, C3E1, C4E, C4E1, E2G7 N1L, N3T8, N5RE, S2G7, S3AL, S3H2, S4G7, S4GB, S4HB
	87114-ZH7-810	.....	-	-	1	-	-	-	-	-	-	-----	-----	N1R, N3U, N3V
			-	-	1	-	-	-	-	-	-	3604632	-----	N1U, N2U
	87114-ZH7-840	.....	-	-	-	1	-	-	-	-	-	-----	-----	A3G9, A3T9, A4G4, A4G7, A4G9, N2EE, S1G4, S2E2, S2E3 S3E9, S3G9, S4E4, S4E9, S4G4, S4G9
			-	-	-	1	-	-	-	-	-	1739042	-----	A1E7, A1E8, A1G7, A1W7, A2E7, A2E8, A2E9, A2G4, A2G7 A2G9, A3E7, A3E9, A3W7, A3W8, A7E1, N1E1, N1E2, N1E7 N1J1, N1T8, N1T9, N1W7, N1W8, N1W9, N2E7, N2E8, N2E9 N3T8, N3T9, N3W8, N3W9, S1E1, S2E, S2E1
	87114-Z3E-000	.....	-	-	-	1	-	-	-	-	-	1764463	-----	N7A1
	87114-ZH7-821	.....	-	-	-	1	-	-	-	-	-	2075803	-----	A2R
			-	-	-	-	1	-	-	-	-	-----	-----	A2A9, A4A9
	87114-Z3E-000	.....	-	-	-	-	1	-	-	-	-	-----	-----	A7H1, N7A1
	87114-ZH7-821	.....	-	-	-	-	-	1	1	-	-	-----	-----	A1A, A1AF, A2R, BHH, E1A2, N1A, N1AF, N5AF, N5MF, N5R N7A1, R3A, S1A, S1M, S3A, S3H
	87114-Z3E-000	.....	-	-	-	-	-	1	1	-	-	-----	-----	N7S1
21	87114-ZH7-840	LABEL, WARNING (NOT CERTIFIED FOR SALE)	-	1	-	-	-	-	-	-	-	-----	-----	C1E, C1E1, C2E, C2E1
			-	-	-	1	-	-	-	-	-	1739042	2679341	A1P



**E-28**

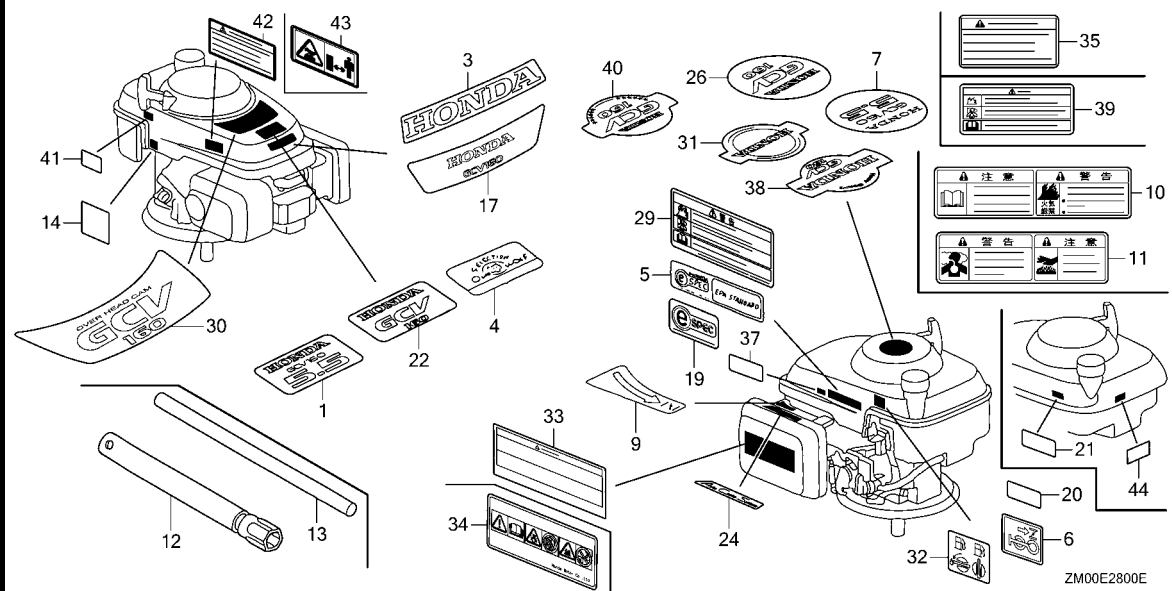
**LABEL/TOOL**

Ref. No.	Part No.	Description	Reqd. QTY										Serial No.	Parts catalogue code
			GCV 160	GCV 160 A	GCV 160 A0	GCV 160 E	GCV 160 LE	GCV 160 LA	GCV 160 LA0	GCV 160 LA1				
22	87101-ZM0-020	MARK, EMBLEM(GCV160).....	-	1	-	-	-	-	-	-	-	-	6110905	A1AW, C1E, C1E1, C2E, C2E1, C3E, C3E1, C4E, C4E1 A1A, A1AF, A1AS, A1E7, A2E7, A2R, N1A, N1AF, N1U, N5A N5AF, N5MF, S1A, S3A2
			-	1	-	-	-	-	-	-	-	-	6258263	BHH1, S3H2
			-	1	-	-	-	-	-	-	-	-	6600168	A1M, N1L, N1R, S2G7
			-	-	1	-	-	-	1	-	-	-		A1A, A1AW, A1E7, A1M, A2E7, BHH1, C1E, C1E1, C2E, C2E1 C3E, C3E1, C4E, C4E1, E2G7, N1L, N1R, N1U, S2G7
	87101-ZM0-801	.....	-	-	1	-	-	-	-	-	-	-	1372039	S3H2
			-	-	-	1	-	-	-	-	-	-		A3G9, A3T9, A4G7, A4G9, N2EE, S2E2, S2E3, S3E9, S3G9 S4G9
			-	-	-	1	-	-	-	-	-	-	3216180	S4E9
			-	-	-	1	-	-	-	-	-	-	2189260	A1E7, A1E8, A1G7, A1G9, A2E7, A2E8, A2E9, A2G7, A2G9 A3E7, A3E9, A3W8, N1E1, N1E2, N1E7, N1T8, N1T9, N1W7 N2E7, N2E8, N2E9, N3T8, N3T9, S1E1, S2E, S2E1
	87101-ZM0-020	.....	-	-	-	1	-	-	-	-	-	-	2189260	A2A9, A2R, N1D, N1R, S1E1
	87101-Z1L-800	MARK, EMBLEM(ACS).....	-	-	-	1	-	-	-	-	-	-	3216181	S4E9
	87101-ZM0-020	MARK, EMBLEM(GCV160).....	-	-	-	-	-	1	-	-	-	-	5411577	A1AF, A2R, N1A, N1AF, N5AF, N5MF, S1A
24	87529-Z0Y-840	MARK, AUTO CHOKE.....	-	-	1	-	-	1	1	1	1	1		S1M, S3AL, S3B, S3B/A, S3H, S3HB, S3T, S3TE, S4G7 S4GB, S4HB, SBT, SBT/A, SBTE
			-	-	-	1	-	-	-	-	-	-	3216180	S1G4, S2E2, S2E3, S3E9, S3G9, S4E4, S4E9, S4G4, S4G9
26	87101-Z0L-802	MARK, EMBLEM(GCV160).....	-	-	-	1	1	-	-	-	-	-	3429617	A7H1, A7Q1
			-	-	-	1	-	-	-	-	-	-	2189260	N7A1
			-	-	-	1	-	-	-	-	-	-	2189260	A7E1
			-	-	-	-	1	-	-	-	-	-	2189260	A7A1
29	87516-Z0L-800	MARK, OPERATOR CAUTION.....	-	1	1	-	-	-	-	-	-	-		A1AW
30	87101-Z8B-000	MARK, EMBLEM(GCV160).....	-	-	1	-	1	1	-	-	-	-		A1A, A1AF, A2A9, A2R, A4A9, BHH, E1A2, N1A, N1AF, N5AF N5MF, N5R, N5RE, R3A, S1A, S1M, S3A, S3H
	87101-Z8B-910ZC	MARK, EMBLEM *186C*.....SPECIFIED RED	-	-	1	-	-	-	1	-	-	-		A1G7, A1UV, A3G7, A3T9, A4G7, A7Q1/A, G5B, G5BR N1U/A, N2EE, N2KE, S4G7
	87101-Z8B-910ZA	*PANTONE186*....SPECIFIED RED	-	-	1	-	-	-	1	-	-	-		N5B, N5BR, S3AL
	87101-Z8B-910	.....	-	-	1	-	-	-	-	-	-	-		S4GB
	87101-Z8B-000	MARK, EMBLEM(GCV160).....	-	-	1	-	-	-	-	-	-	-	1372039	S3TE
			-	-	1	-	-	-	-	-	-	-	1864263	A1AW, N1U
			-	-	1	-	-	-	-	-	-	-	2094866	A7Q1
	87101-Z8B-910	MARK, EMBLEM.....	-	-	1	-	-	-	-	-	-	-	1864264	A1AW, N1U
	87101-Z8B-910ZC	*186C*.....SPECIFIED RED	-	-	1	-	-	-	-	-	-	-	1864264	N1U
	87101-Z8B-910	.....	-	-	1	-	-	-	-	-	-	-	2094867	A7Q1
	87101-Z8B-910ZC	*186C*.....SPECIFIED RED	-	-	1	-	-	-	-	-	-	-	2094867	A7Q1
	87101-Z8B-910ZB	*T104*.....RYOBI GREEN	-	-	-	-	-	-	1	1	-	-		G5B, G5B/A, N5B, N5B/A
	87101-Z8B-000	MARK, EMBLEM(GCV160).....	-	-	-	-	-	-	1	-	-	-		A1A, A1AF, A2R, BHH, E1A2, G5AF, G5MF, N1A, N1AF, N5AF N5MF, N5R, N5RB, N7A1, N7S1, R3A, S1A, S1M, S3A, S3H S3T, SBT
			-	-	-	-	-	-	1	-	-	-	4124719	A7H1
	87101-Z8B-910	MARK, EMBLEM.....	-	-	-	-	-	-	1	-	-	-	4124720	A7H1
	87101-Z8B-910ZC	*186C*.....SPECIFIED RED	-	-	-	-	-	-	1	-	-	-	4124720	A7H1
	87101-Z8B-000	MARK, EMBLEM(GCV160).....	-	-	-	-	-	-	-	1	-	-		A1A, A1A/A, A2R, A2R/A, G5AF, G5AF/A, G5MF, G5MF/A N1A, N1A/A, N5AF, N5AF/A
	87101-Z8B-910ZC	MARK, EMBLEM *186C*.....SPECIFIED RED	-	-	-	-	-	-	-	1	-	-		A7H1, A7H1/A, A7X1, G5B, G5B/A, G5BR, G5BR/A, N5B N5B/A, N5BR, N5BR/A



# E-28

# LABEL/TOOL



ZM00E2800E

Ref. No.	Part No.	Description	Reqd. QTY								Serial No.	Parts catalogue code
			GCV 160	GCV 160 A	GCV 160 A0	GCV 160 E	GCV 160 LE	GCV 160 LA	GCV 160 LA0	GCV 160 LA1		
31	87169-Z8E-000	MARK, RECOIL COVER.....	-	-	1	-	-	1	-	1	-	A1A, A1A/A, A1AF, A1G7, A2R, A2R/A, A3G7, A3T9, A4G7, A7H1, A7H1/A, A7Q1, A7Q1/A, A7X1, BHH, E1A2, G5AF, G5AF/A, G5B, G5B/A, G5BR, G5BR/A, G5MF, G5MF/A, N1A, N1A/A, N1AF, N2EE, N2KE, N3T8, N5AF, N5AF/A, N5B, N5B/A, N5BR, N5BR/A, N5MF, N5R, N5RE, N7A1, N7S1, NBHT, R3A, S1A, S1M, S3A, S3AL, S3H, S4G7, S4GB, SBA, SBA/A
			-	-	1	-	-	-	-	-	1372039	S3TE, SBTE
			-	-	-	-	-	-	1	-	-	A1A, A1AF, A2R, A7H1, E1A2, G5AF, G5B, G5BR, G5MF, N1A, N1AF, N5AF, N5B, N5BR, N5MF, N5R, N5RB, N7A1, N7S1, S1A, S1M, SBA
			-	-	-	-	-	-	1	-	3179560	BHH, R3A, S3A, S3H, S3T, SBT

# E-28

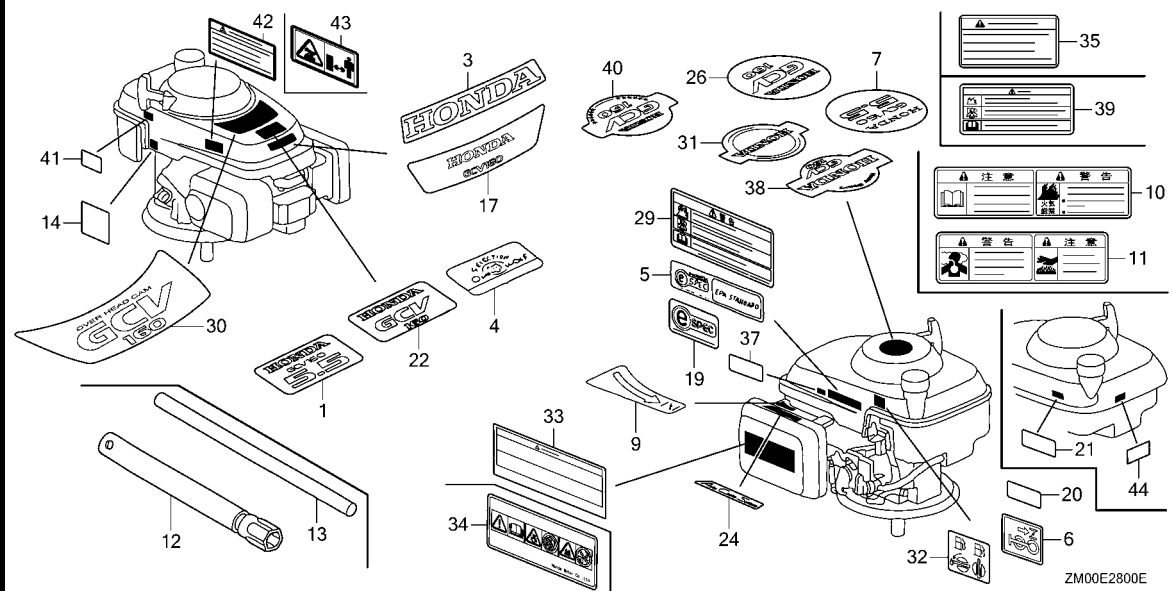
# LABEL/TOOL

Ref. No.	Part No.	Description	Reqd. QTY										Serial No.	Parts catalogue code				
			GCV 160	GCV 160 A	GCV 160 A0	GCV 160 E	GCV 160 LE	GCV 160 LA	GCV 160 LA0	GCV 160 LA1								
32	87524-Z8B-000	MARK, FUEL COCK CAUTION.....	-	-	1	-	-	-	-	-	-	-	-	-	-	A1G7, A3G7, A3HV, A3T9, A4G4, A4G7, A7Q1, A7Q1/A, N2EE, N2KE, N3T8, N5RE, NBHT, S3AL, S3HB, S3TE, S4G7, S4GB, S4HB, SBTE		
			-	-	1	-	-	-	-	-	-	-	-	1157511	-	A1E7, A1M, A2E7, BHH1, C1E, C1E1, C2E, C2E1, C3E, C3E1, C4E, C4E1, E2G7, N1L		
			-	-	1	-	-	-	-	-	-	-	-	-	1160359	-	S3H2	
			-	-	-	1	-	-	-	-	-	-	-	-	-	-	N2EE	
			-	-	-	1	-	-	-	-	-	-	-	-	2675147	-	A1G9, A1P, A2G4, A2G7, A2G9, A3E7, A3E9, A3G9, A3T9, A3W7, A3W8, A4G4, A4G7, A4G9, A7E1, N1T9, N1W7, N2E7, N2E8, N3T8, N3W8, N3W9, S1E1, S1G4, S2E1, S2E2, S2E3, S3E9, S3G9, S4E4, S4E9, S4G4, S4G9	
33	87516-Z0J-000	MARK, OPERATOR CAUTION (ENGLISH)	-	-	-	-	1	-	-	-	-	-	-	3039946	-	A1A, A1A/A, A1AF, A2A9, A2R, A2R/A, A4A9, A7H1, A7H1/A, A7X1, BHH, E1A2, G5AF, G5AF/A, G5B, G5B/A, G5BR, G5BR/A, G5MF, G5MF/A, N1A, N1A/A, N1AF, N5AF, N5AF/A, N5B, N5B/A, N5BR, N5BR/A, N5MF, N5R, N5RB, N7A1, N7S1, R3A, S1A, S1M, S3A, S3B, S3B/A, S3H, S3T, SBA, SBA/A, SBT, SBT/A		
			-	-	1	-	-	-	-	-	-	-	-	-	-	-	A7H1, G5AF, G5B, G5BR, G5MF, N5B, N5BR, N5RB, R3L, S3B, S3L, S3LB, S3T, SBA, SBH, SBL, SBT, SBTE	
			-	-	1	-	-	-	-	-	-	-	-	-	1321824	-	S3TE	
			-	-	-	-	1	-	-	-	-	-	-	-	3039946	-		
			-	-	-	-	-	-	-	-	1	-	-	-	1245356	-	A1A, A1AF, A2R, BHH, E1A2, N1A, N1AF, N5AF, N5MF, N5R, N7A1, N7S1, R3A, S1A, S1M, S3A, S3H	
34	87519-Z0J-000	MARK, OPERATOR CAUTION.....	-	-	-	-	-	-	-	-	-	-	1	-	-	A1G7, A1UV, A2UA, A3G7, A3HV, A3T9, A4G4, A4G7, A7H1, A7H1/A, A7Q1, A7Q1/A, A7X1, N1U/A, N2EE, N2KE, N3T8, NBHT, R3LE, S3AL, S3DB, S3HB, S3LE, S3TE, S4BB, S4G7, S4GB, S4HB, S4LE, SBHE, SBTE		
			-	-	1	-	-	-	-	-	-	-	-	-	1152562	-	A1AW, A1E7, A1M, A2E7, BHH1, C1E, C1E1, C2E, C2E1, C3E, C3E1, C4E, C4E1, E2G7, N1L, N1R, N1U, N2U, N3U, N3V, N5RE, S2G7, S3H2	
			-	-	-	1	-	-	-	-	-	-	-	-	-	-	A3HV, A4EV, A7Q1, N2EE, S4H4	
			-	-	-	1	-	-	-	-	-	-	-	-	2675147	-	A1G9, A1P, A2G4, A2G7, A2G9, A3E7, A3E9, A3G9, A3T9, A3W7, A3W8, A4G4, A4G7, A4G9, A7E1, N1T9, N1W7, N2E7, N2E8, N3T8, N3W8, N3W9, S1E1, S1G4, S2E1, S2E2, S2E3, S3E9, S3G9, S4E4, S4E9, S4G4, S4G9	
			-	-	-	-	1	-	-	-	-	-	-	-	3039946	-	A7H1, N7A1	
35	87539-Z0J-000	MARK, EX. CAUTION(ENGLISH)...	-	-	-	-	-	-	-	-	-	1	-	1245356	-	N7S1		
			-	-	1	-	-	-	-	-	-	-	-	1538752	-	S3TE, SBTE		
37	87114-ZH7-850	LABEL, WARNING (NOT CERTIFIED FOR SALE)	-	-	1	-	-	-	-	-	-	-	-	-	-	A7Q1, SBTE		
			-	-	1	-	-	-	-	-	-	-	-	-	1321823	-	S3TE	
			-	-	1	-	-	-	-	-	-	-	-	-	1321824	-	S3TE	
			-	-	-	-	-	-	-	-	1	1	-	-	-	-	G5AF, G5AF/A, G5MF, G5MF/A	
			-	-	-	-	-	-	-	-	-	1	-	-	-	-	N5RB, S3T, SBT	
38	87169-Z8B-000	MARK, RECOIL COVER(GCV160)...	-	-	-	-	-	-	-	-	-	1	-	-	-	A1A, A1A/A, A2R, A2R/A, N1A, N1A/A, N5AF, N5AF/A, SBT, SBT/A		
			-	-	1	-	-	-	-	-	-	-	-	-	1372040	-	A3HV, S3B, S3HB	
			-	-	-	-	-	-	-	-	1	-	-	-	-	3179561	-	S3H2, S3TE, SBTE
			-	-	-	-	-	-	-	-	-	-	1	-	-	-	BHH, R3A, S3A, S3H, S3T, SBT	
			-	-	-	-	-	-	-	-	-	-	1	-	-	-	S3B, S3B/A, SBT, SBT/A	
39	87516-Z7E-000 87516-Z7E-800	MARK, OPERATOR CAUTION(CHINA) .....	-	-	1	-	-	-	-	-	-	1	-	-	-	A7H1, A7Q1, A7Q1/A		
			-	-	-	1	-	-	-	-	-	-	-	3387594	-	A7E1		
			-	-	-	1	-	-	-	-	-	-	-	-	3429694	-	A7Q1	

2

# E-28

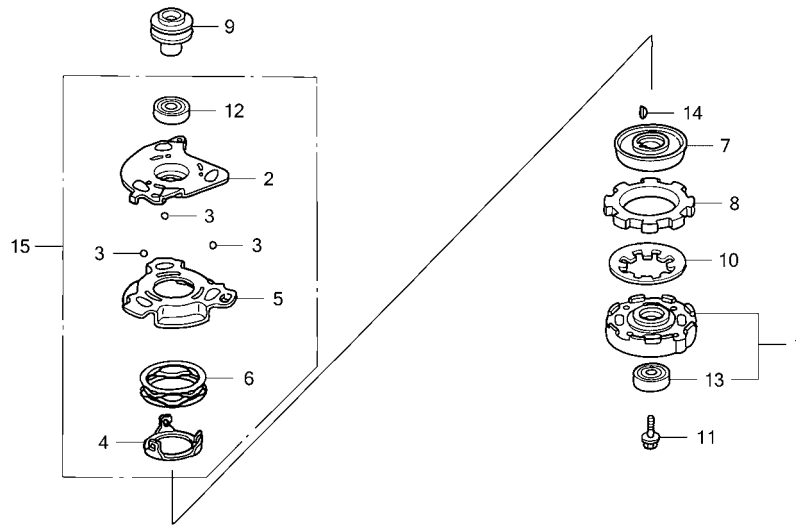
# LABEL/TOOL



Ref. No.	Part No.	Description	Reqd. QTY										Serial No.	Parts catalogue code
			GCV 160	GCV 160 A	GCV 160 A0	GCV 160 E	GCV 160 LE	GCV 160 LA	GCV 160 LA0	GCV 160 LA1				
39)	87516-Z7E-000	MARK, OPERATOR CAUTION(CHINA)	-	-	-	-	-	-	-	-	1	-	3261499	----- N7S1,S3T,SBT ----- A7H1,A7H1/A,SBT,SBT/A
40	87101-Z1L-790	MARK, EMBLEM(GCV160).....	-	-	-	1	-	-	-	-	-	-	3429618	----- A7E1,A7Q1
			-	-	-	-	1	-	-	-	-	-	3429618	----- A7H1,N7A1
41	87114-ZH7-810	LABEL, WARNING (NOT CERTIFIED FOR SALE)	-	-	1	-	-	-	-	-	-	-	-----	----- A1UV,A2UA
	87114-ZH7-850	.....	-	-	1	-	-	-	-	-	-	-	-----	----- A7Q1/A,N1U/A,NBHT
	87114-ZH7-840	.....	-	-	1	-	-	-	-	-	-	-	-----	----- S3HB
	87114-ZH7-821	.....	-	-	1	-	-	-	-	-	-	-	-----	----- 2042705 N2EE,N2KE
	87114-ZH7-840	.....	-	-	1	-	-	-	-	-	-	-	2042706	----- N2EE,N2KE
	87114-ZH7-850	.....	-	-	1	-	-	-	-	-	-	-	3604633	----- N1U,N2U
	87114-ZH7-860	.....	-	-	-	-	-	-	-	1	1	-	-----	----- G5B,G5B/A,G5BR,G5BR/A
	87114-ZH7-821	.....	-	-	-	-	-	-	-	1	1	-	-----	----- N5B,N5B/A,N5BR,N5BR/A,S3B,S3B/A,SBA,SBA/A
42	87539-Z0J-000	MARK, EX. CAUTION(ENGLISH)...	-	-	-	-	1	-	-	-	1	-	-----	----- A7H1,A7H1/A,A7X1,N7A1
			-	-	-	-	1	-	-	-	-	-	3039946	----- A7H1,N7A1
			-	-	-	-	-	-	-	-	1	-	-----	----- A7H1
			-	-	-	-	-	-	-	-	1	-	1245356	----- N7A1,N7S1
43	87539-Z0J-800	MARK, EX. CAUTION(PICTOGRAPH)	-	-	-	-	1	-	-	-	1	-	-----	----- A7H1,A7H1/A,A7X1,N7A1
			-	-	-	-	1	-	-	-	-	-	3039946	----- A7H1,N7A1
			-	-	-	-	-	-	-	-	1	-	-----	----- A7H1
			-	-	-	-	-	-	-	-	1	-	2191009	----- N7S1
44	87114-ZH7-840	LABEL, WARNING (NOT CERTIFIED FOR SALE)	-	-	1	-	-	-	-	1	-	-	-----	----- R3LE,S3DB,S3LE,S4BB,S4LE,SBHE
	87114-ZH7-821	.....	-	-	-	-	-	-	-	1	1	-	-----	----- R3L,S3L,S3LB,S3LB/A,SBH,SBH/A,SBL

# E-40

# BLADE HOLDER



Ref. No. L.O.N. (Relative ref. Number) Description F.R.T.

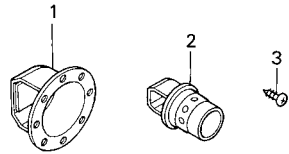
Ref. No.	Part No.	Description	Reqd. QTY									Serial No.	Parts catalogue code
			GCV 160	GCV 160 A	GCV 160 A0	GCV 160 E	GCV 160 LE	GCV 160 LA	GCV 160 LA0	GCV 160 LA1			
1	72600-VE1-G00	HOLDER ASSY., BLADE	-	1	1	-	-	1	1	-	-	-	BHH, BHH1, EHHB, SBH, SBHE, SBL
2	75111-VE1-G01	PLATE, BALL CONTROL	-	1	1	-	-	1	1	-	-	-	BHH, BHH1, EHHB, SBL
3	75117-VE1-G00	BALL, STEEL	-	3	3	-	-	3	3	-	-	-	BHH, BHH1, EHHB, SBL
4	75127-VE1-G00	PLATE, SPRING HOOK	-	1	1	-	-	1	1	-	-	-	BHH, BHH1, EHHB, SBL
5	75130-Z0L-000	PLATE COMP., BRAKE	-	1	1	-	-	1	1	-	-	-	BHH, BHH1, EHHB, SBL
6	75132-VE1-G00	SPRING, BALL PLATE	-	1	1	-	-	1	1	-	-	-	BHH, BHH1, EHHB, SBL
7	75141-VE1-G00	DISK, DRIVE	-	1	1	-	-	1	1	-	-	-	BHH, BHH1, EHHB, SBL
8	75150-VE1-G02	DISK COMP., DRIVEN	-	1	1	-	-	1	1	-	-	-	BHH, BHH1, EHHB, SBL
9	75162-Z0L-000	PULLEY, DRIVE	-	1	1	-	-	1	1	-	-	-	BHH, BHH1, EHHB, SBL
10	75183-VE1-G01	SPRING, CLUTCH	-	1	1	-	-	1	1	-	-	-	BHH, BHH1, EHHB, SBL
11	90101-VE1-G00	BOLT, FLANGE, 10X24	-	1	1	-	-	1	1	-	-	-	BHH, BHH1, EHHB, SBL
12	91051-VE1-R00	BEARING, RADIAL BALL, 6006	-	1	1	-	-	1	1	-	-	-	BHH, BHH1, EHHB, SBL
	91051-VE1-G00	BEARING, RADIAL BALL, 6006 (TSB)	-	1	1	-	-	1	1	-	-	-	BHH, BHH1, EHHB, SBL
	91051-VE1-G00	BEARING, RADIAL BALL, 6006 (SST)	-	1	-	-	-	-	-	-	-	-	BHH
13	91052-VE1-G00	BEARING, RADIAL BALL, 6204	-	1	1	-	-	1	1	-	-	-	BHH, BHH1, EHHB
	91102-VA4-013	BEARING, RADIAL BALL, 6204	-	1	1	-	-	1	1	-	-	-	BHH, BHH1, SBH, SBHE, SBL
14	94401-16150	KEY, WOODRUFF, 16X15	-	1	1	-	-	1	1	-	-	-	BHH, BHH1, EHHB, SBL
15	75110-Z0L-000	PLATE ASSY., BALL CONTROL	-	1	1	-	-	-	-	-	-	-	BHH1, EHHB
			-	-	-	-	-	1	1	-	-	-	BHH, SBL





**E-40-1**

**MUFFLER CAP**



ZM00-E4001

Ref. L.O.N. (Relative ref. Number) F.R.T.  
No. Description

Ref. No.	Part No.	Description	Reqd. QTY									Serial No.	Parts catalogue code	
			GCV 160	GCV 160 A	GCV 160 A0	GCV 160 E	GCV 160 LE	GCV 160 LA	GCV 160 LA0	GCV 160 LA1				
1	18348-ZL8-000	CAP, MUFFLER.....	-	1	1	-	-	-	-	-	-	-	-----	A1AS,N1E1,N2EE
	18348-Z0L-000	.....	-	1	-	-	-	-	-	1	1	-----	-----	A1AS,G5MF,G5MF/A,N5MF
	18348-ZL8-000	.....	-	-	-	1	-	-	-	-	-	-----	-----	N1E1
2	18430-ZL8-000	DEFLECTOR COMP., MUFFLER.....	-	1	-	1	-	-	-	-	-	-----	-----	A1AS,N1E1
3	90055-ZE1-000	SCREW, TAPPING, 4X6.....	-	2	-	-	-	-	-	-	-	-----	-----	A1AS
		(FOR 18348-Z0L-000)	-	4	-	-	-	-	-	-	-	-----	-----	A1AS
		(FOR 18430-ZL8-000)	-	4	-	-	-	-	-	-	-	-----	-----	N1E1
			-	2	-	-	-	-	-	-	-	-----	-----	N5MF
			-	-	-	4	-	-	-	2	-	-----	-----	G5MF,N1E1,N5MF
			-	-	-	-	-	-	-	2	-----	-----	-----	G5MF,G5MF/A



## PART NO. INDEX

Part Number	Page	Ref.	Part Number	Page	Ref.	Part Number	Page	Ref.	Part Number	Page	Ref.	Part Number	Page	Ref.
16551-ZM0-000	188	1	16580-Z0M-781	185	20	16584-883-300	185	17	17701-Z0L-810	147	18	18348-ZL8-000	141	6
16551-ZM0-010	176	1		186	20		186	21	16961-Z0M-000	102	43		206	1
	188	1	16580-Z0M-782	185	20	16592-Z2D-800	192	2				17701-Z0M-780	95	19
	190	1		186	20	16592-ZJ1-000	192	2	17000			17701-Z0Y-M50	102	44
	194	2	16580-Z0M-810	185	20	16593-Z0L-000	181	8				17701-Z8B-801	152	4
16555-Z0L-800	177	2	16580-Z0M-811	185	20	16593-ZM0-000	181	8	17211-Z1L-003	131	2	17701-Z8B-803	152	4
	188	2	16580-Z0M-812	185	20	16599-ZG1-M10	185	18	17211-Z8B-901	131	2	17701-Z8B-811	147	18
	190	2		186	20		186	22	17211-ZL8-000	131	2		148	18
16555-Z0L-801	177	2	16580-Z0M-870	180	7	16600-Z0L-840	125	21	17211-ZL8-003	131	2	17702-Z0L-801	97	32
	188	2		181	7	16600-Z1L-840	128	28	17211-ZL8-023	131	2		98	32
	190	2	16580-Z0M-880	180	7	16600-Z8B-900	128	28	17220-Z8B-000	132	3	17702-Z0L-802	97	32
	194	3		181	7	16600-Z8D-840	128	28	17220-Z8B-010	132	3		98	32
16555-ZM0-000	177	2	16580-Z0M-890	187	31	16610-Z0L-800	192	14		133	3	17702-Z8B-801	148	19
	188	2	16580-Z0M-J20	187	31		193	14	17220-ZM0-000	132	3	17702-Z8B-802	148	19
16561-Z0L-000	177	3	16580-Z0M-J60	180	7	16610-Z2D-801	192	14		133	3	17702-ZM0-000	88	5
	178	3	16580-Z0Y-800	187	31		193	14	17220-ZM0-010	133	3	17702-ZM0-800	97	32
	190	3	16580-Z0Y-801	187	31	16610-Z2D-802	192	14	17220-ZM0-020	133	3		98	32
	194	4	16580-Z0Y-V71	187	31	16612-Z0L-810	191	7	17220-ZM0-030	132	3		148	19
16561-Z0L-900	177	3	16580-Z1L-800	187	31	16612-ZM0-V30	188	10		133	3	17703-Z0L-771	96	20
	178	3	16580-Z1L-810	187	31	16613-883-610	197	1	17221-Z8B-900	132	3	17703-Z0L-780	95	20
	194	4	16580-Z1L-850	180	7	16613-893-000	191	8	17228-Z8B-000	133	5		96	20
16561-Z1L-870	177	3	16580-Z1L-851	180	7		195	7	17228-Z8B-900	133	5	17703-Z0L-790	96	20
16561-Z8B-010	194	4	16580-Z1L-860	180	7	16614-Z0L-800	192	5		134	5		152	5
16561-Z8B-V30	177	3	16580-ZM0-000	179	7	16614-Z2D-800	192	5	17228-ZM0-000	133	5	17703-Z8B-801	152	5
	188	3	16580-ZM0-020	179	7	16617-VG3-000	187	24	17231-Z0L-030	134	6	17703-Z8B-803	152	5
	194	4	16580-ZM0-030	179	7		189	25	17231-Z0L-050	134	6			
16561-ZM0-000	177	3		180	7	16617-Z0L-800	187	27		135	6	18000		
	190	3		180	7	16620-Z1L-841	128	29	17231-ZM0-000	134	6			
	177	3	16580-ZM0-800	179	7	16620-Z8D-841	128	31	17231-ZM0-020	134	6	18300-Z0L-000	143	14
16561-ZM0-870	177	3	16580-ZM0-802	179	7	16620-Z8D-842	128	31	17511-Z8B-800	145	7	18300-Z8A-000	143	14
16561-ZM0-V30	178	3	16580-ZM0-803	179	7		129	31	17511-Z8B-801	145	7	18310-Z0L-000	143	15
	188	3	16580-ZM0-871	179	7	16632-Z0L-800	192	8	17514-Z0L-000	146	8	18310-Z0Y-000	138	1
	190	3		180	7	16632-Z0L-801	192	8	17516-Z0L-000	146	9	18310-Z0Y-010	139	1
16562-ZM0-000	178	4	16580-ZM0-872	179	7	16674-Z0L-800	191	9	17516-Z8B-900ZA	108	54	18310-Z8A-000	143	15
	188	4		180	7	16674-Z0L-810	191	10	17516-Z8B-900ZB	108	54	18310-ZM0-000	138	1
	190	4		180	7	16674-Z8D-800	195	8	17516-Z8B-900ZC	108	54		139	1
	194	5	16580-ZM0-880	179	7	16674-ZM0-000	181	9	17516-Z8B-900ZD	107	54	18310-ZM0-010	139	1
16563-Z1L-850	187	29	16580-ZM0-881	179	7	16674-ZM0-V30	188	11		108	54	18320-Z0M-780	139	2
16574-ZE1-000	188	5		180	7	16700-Z0M-782	95	16	17516-Z8B-900ZE	108	54		140	2
16575-ZE2-W00	188	6	16580-ZM0-882	180	7		152	1	17532-Z8B-800	146	10	18320-Z0M-781	139	2
16576-891-000	179	6	16580-ZM0-J22	179	7	16711-Z0L-780	95	17	17533-Z8B-800	147	11		140	2
	187	25	16580-ZM0-J23	179	7	16711-Z0L-781	95	17	17534-Z0L-000	147	12	18320-Z1L-000	143	13
16576-ZE7-300	179	5		181	7	16854-ZH8-000	86	1	17620-Z0J-800	147	13	18321-Z0L-000	139	2
16577-ZM0-V30	188	7	16580-ZM0-J61	179	7		144	2	17620-Z0M-000	87	4		140	2
16578-Z0L-810	191	5		180	7	16882-Z0L-780	95	18	17620-Z8B-800	147	13	18321-Z0L-010	139	2
16578-ZE1-000	188	8	16580-ZM0-J62	179	7		152	3	17620-ZL8-003	87	4	18321-Z0L-800	139	2
16580-Z0L-000	187	31		180	7	16950-Z0Y-003	102	42	17620-ZL8-013	87	4		140	2
16580-Z0L-010	187	31	16580-ZM0-V30	188	9		144	3	17622-888-010	101	39	18321-Z0L-810	139	2
16580-Z0L-780	185	20	16580-ZM0-V31	188	9		195	9		147	15	18321-Z0L-J00	139	2
16580-Z0L-800	191	17	16580-ZM0-V90	179	7	16950-ZG9-M02	86	2	17622-ZL8-003	101	39		140	2
16580-Z0L-810	191	6		180	7	16950-ZG9-M03	86	2	17624-ZE7-000	101	40	18321-Z0L-810	139	2
16580-Z0L-830	191	6	16580-ZM0-V91	179	7	16950-ZM0-003	97	31		102	40	18321-ZL8-000	139	2
16580-Z0L-880	179	7		180	7		145	4		147	16	18321-ZL8-010	139	2
16580-Z0L-J00	187	31	16580-ZM1-J01	179	7	16952-Z8B-000	145	5	17624-ZL8-003	101	40		140	2
16580-Z0L-J20	187	31	16580-ZM1-J41	179	7	16952-ZA8-800	145	5	17636-Z0L-010	147	17	18321-ZL8-A00	139	2
16580-Z0M-000	181	7		180	7	16956-ZG9-M00	87	3	17701-Z0L-000	92	11	18321-ZL8-A01	140	2
	187	31	16580-ZM1-J42	180	7	16956-ZM0-000	87	3	17701-Z0L-771	95	19	18348-Z0L-000	141	6
16580-Z0M-780	185	20	16581-Z8D-000	195	6	16961-Z0L-900	102	43	17701-Z0L-780	152	4		206	1

## PART NO. INDEX

Part Number	Page	Ref.	Part Number	Page	Ref.	Part Number	Page	Ref.	Part Number	Page	Ref.	Part Number	Page	Ref.
19610-Z0L-851ZD	105	21	19611-Z0L-860ZA	107	53	28000			28400-ZM0-023ZC	78	1		170	14
19610-Z0L-851ZE	104	21	19611-Z0L-860ZC	107	53					80	1	30549-Z0L-820	174	2
	105	21	19611-Z0L-860ZD	107	53	28400-Z0L-802	84	13	28400-ZM0-631ZA	77	1	30549-Z8B-900	171	5
19610-Z0L-851ZG	105	21	19611-Z0L-860ZF	107	53	28400-Z0L-V20ZA	78	1	28400-ZM0-631ZB	77	1	30549-ZL8-000	165	6
19610-Z0L-860ZA	104	21	19611-Z0L-880ZA	107	53				28400-ZM0-632ZA	77	1		166	6
19610-Z0L-860ZC	104	21	19611-Z0L-880ZB	107	53	28400-Z0L-V20ZB	78	1	28400-ZM0-632ZB	77	1	35100-Z0L-831	175	3
19610-Z0L-860ZD	104	21	19611-Z0L-880ZC	107	53					78	1	35111-Z0L-830	175	4
19610-Z0L-860ZE	104	21	19611-Z0L-880ZD	107	53	28400-Z0L-V20ZC	79	1	28400-ZM0-632ZC	77	1	35120-Z0L-801	191	11
19610-Z0L-861ZA	104	21	19611-Z0L-880ZE	107	53				28400-ZM0-632ZD	77	1	35120-Z0L-901	191	11
	105	21	19611-Z8B-900ZA	107	53	28400-Z0L-V20ZD	79	1	28400-ZM0-633ZA	78	1	35120-Z1L-J21	183	14
19610-Z0L-861ZC	105	21	19611-Z8B-900ZB	107	53					78	1		184	14
19610-Z0L-861ZD	105	21	19611-Z8B-900ZD	107	53	28400-Z0L-V72	84	14	28400-ZM0-633ZB	78	1	35120-Z8B-902	172	8
19610-Z0L-861ZE	105	21	19611-Z8B-900ZE	107	53	28400-Z0M-801	84	14	28400-ZM0-633ZC	79	1	35120-Z8B-911	195	10
19610-Z0L-861ZF	105	21	19611-Z8B-900ZF	107	53				28400-ZM0-633ZD	80	1	35120-Z8B-912	195	10
19610-Z0L-870ZA	104	21	19611-Z8B-900ZG	107	53	28400-Z0M-811	85	14	28400-ZM0-633ZE	79	1	35120-Z8B-913	195	10
19610-Z0L-870ZB	104	21	19611-Z8B-900ZH	107	53	28400-Z8A-003ZB	80	1		80	1	35120-Z8D-901	195	10
19610-Z0L-871ZA	105	21	19611-Z8B-910ZA	107	53				28400-ZM0-633ZD	78	1	35120-ZL8-003	183	14
19610-Z0L-871ZB	105	21	19611-Z8B-910ZB	107	53	28400-Z8A-003ZC	79	1		79	1		184	14
19610-Z0L-880ZA	104	21	19611-Z8B-910ZC	107	53					79	1		188	13
19610-Z0L-880ZB	104	21	19611-Z8B-910ZD	107	53	28400-Z8B-003ZB	80	1	28400-ZM0-633ZD	79	1	31105-ZM0-000	157	4
19610-Z0L-880ZC	104	21	19611-Z8B-910ZE	107	53					81	1		166	7
19610-Z0L-880ZD	104	21	19611-Z8B-910ZF	107	53	28400-Z8B-003ZB	81	1	28451-Z0J-900	169	4	31110-Z0J-004	169	7
19610-Z0L-880ZE	104	21	19611-Z8B-V40ZA	108	59	28400-Z8B-003ZD	79	1	28452-Z0J-900	169	5	31110-Z0J-013	162	17
19610-Z0L-881ZA	105	21	19611-Z8B-V40ZB	108	59				28461-Z0L-V71	85	16	31110-Z0J-014	169	7
19610-Z0L-881ZB	105	21	19611-Z8B-V40ZC	108	59	28400-Z8B-003ZE	79	1	28461-ZL8-003	82	8	43416-Z8B-900	172	9
19610-Z0L-881ZC	105	21	19611-Z8B-V50ZA	108	59				28462-Z0L-V20	83	9	31110-Z0Y-003	171	6
19610-Z0L-881ZD	105	21	19611-Z8B-V50ZB	108	59	28400-Z8B-003ZE	79	1	28462-Z0L-V71	83	9		172	6
19610-Z0L-881ZE	105	21	19611-Z8B-V60ZA	108	59				28462-ZL8-003	82	9	51000		
19610-Z0M-J10ZC	90	6	19611-Z8B-V60ZB	108	59	28400-Z8B-901ZA	79	1	28462-ZL8-631	83	9	31110-Z8B-901	171	6
19610-Z0M-J10ZD	90	6	19611-Z8B-V70ZA	108	59				28462-ZL8-V71	83	9	31110-Z8B-904	171	6
19610-Z1L-000ZA	90	6	19611-Z8B-V70ZB	108	59	28400-Z8B-901ZB	81	1				31110-Z8B-911	171	6
19610-Z1L-000ZB	90	6	19611-Z8D-900ZD	107	53	28400-Z8B-901ZC	81	1	30000			31110-ZL8-004	162	17
19610-Z1L-000ZC	91	6	19612-Z0L-000	155	2	28400-Z8B-901ZD	81	1				31200-Z0L-821	174	3
	91	6		165	2	28400-Z8B-902ZA	79	1				31200-Z0L-822	174	3
19610-Z1L-800ZA	90	6		168	3	28400-Z8B-V41	85	17	30500-Z0J-003	155	3		174	9
19610-Z1L-800ZB	90	6	19612-Z0L-830	175	1	28400-Z8B-V42	85	17		156	3	32000		
19610-Z1L-E00ZA	103	63	19612-Z1L-000	155	2	28400-Z8D-911ZA	81	1		165	3		191	14
19610-ZM0-000ZA	88	6	19612-ZM0-000	155	2	28400-Z8D-911ZB	79	1	30500-Z0J-004	169	6	32195-Z0L-000	157	5
19610-ZM0-000ZB	88	6	19612-ZM0-J20	155	2	28400-Z8D-911ZC	81	1	30500-Z0L-821	164	24	32195-Z0L-800	162	18
19610-ZM0-010ZA	88	6		165	2	28400-Z8D-911ZD	79	1	30500-Z8B-901	156	3	32195-Z0L-900	169	8
	89	6	19617-Z0Y-300	107	48					171	3	32195-Z0L-M90	169	8
	89	6	19619-ZL8-300	100	36	28400-ZL8-013ZA	77	1	30500-Z8B-902	155	3	32195-Z0L-S00	166	8
	90	6		105	22					166	3	32195-Z0L-S20	165	8
19610-ZM0-010ZB	88	6	19650-ZM0-000	121	14	28400-ZL8-023ZA	78	1	30500-Z8B-903	155	3	32195-Z8B-800	170	16
	89	6	19651-Z0L-000	127	26					171	3	32195-Z8B-900	172	7
	90	6	19721-Z0L-000ZA	197	2					166	3	32195-Z8B-901	172	7
19610-ZM0-010ZC	88	6	19721-Z0L-000ZB	197	2	28400-ZL8-023ZC	78	1	30500-Z8B-912	169	6	32195-ZM0-000	157	5
	90	6	19721-Z0L-000ZC	197	2					171	4	32195-ZM0-800	157	5
19610-ZM0-010ZD	88	6	19721-Z0M-000ZA	197	2					162	18		75000	
	89	6	19721-Z0M-000ZB	197	2					156	3	32196-Z0L-S20	165	9
	90	6	19721-Z0M-000ZD	197	2	28400-ZM0-003ZA	77	1	30500-ZL8-004	155	3	32222-Z0L-820	174	4
19610-ZM0-J10ZA	88	6	19721-Z0M-000ZE	197	2	28400-ZM0-003ZB	77	1		166	3	32222-Z0L-830	174	8
19610-ZM0-J11ZA	89	6				28400-ZM0-013ZA	77	1	30500-ZL8-014	155	3	32222-Z0L-800	174	10
19610-ZM0-J11ZC	89	6	22000			28400-ZM0-013ZB	77	1		156	3	32222-Z0L-S10	174	10
19611-Z0L-850ZA	107	53				28400-ZM0-013ZC	78	1	30547-Z0L-S00	165	4	32223-Z0L-820	174	11
19611-Z0L-850ZB	107	53	22534-Z0L-820	174	1	28400-ZM0-023ZA	78	1		166	4	75100-Z0L-000	205	15
19611-Z0L-850ZD	107	53								170	13	75100-Z0L-000	158	7
19611-Z0L-850ZE	107	53								166	4	75100-Z1L-000	158	7
19611-Z0L-850ZF	107	53								170	13	75100-ZM0-000	158	7
										166	5	75110-Z0L-000	205	15
										166	5	75110-Z0L-800	163	21
										170	13	75110-Z0L-800	166	11
										166	5	75110-Z0L-821	163	23
										166	5	75110-Z0L-822	163	23





## PART NO. INDEX

Part Number	Page	Ref.	Part Number	Page	Ref.	Part Number	Page	Ref.	Part Number	Page	Ref.	Part Number	Page	Ref.
95002-02130	196	22												
95002-40800-08	99	34												
	151	30												
	196	19												
95002-41000-08	99	35												
	100	37												
	151	31												
	152	12												
95002-41200-08	151	32												
	152	13												
	196	20												
95002-45000	96	27												
	152	14												
95002-50000	95	14												
	96	28												
	150	27												
	152	15												
	196	23												
95002-70000	151	33												
	153	16												
95003-25019-20	153	17												
95003-25021-20	96	29												
	153	17												
95003-36010-20	96	30												
95003-43009-20	153	18												
95701-06014-08	136	8												
98000														
98079-55846	45	8												
98079-56846	45	8												
99000														
99101-124-0550	123	16												
	124	16												
99101-124-0580	123	16												
	124	16												
99101-124-0600	121	16												
	123	16												
	124	16												
99101-124-0620	122	16												
	123	16												
99101-124-0650	122	16												
	123	16												
	124	16												
99101-124-0680	123	16												
	124	16												
99101-124-0700	123	16												

## PART NAME INDEX

Part name	Page	Ref.	Part name	Page	Ref.	Part name	Page	Ref.
[ A ]			BOLT, FLANGE, 6X14 .....	136	8	BRACKET, BRAKE CABLE .....	172	9
ARM COMP., BRAKE .....	172	11		149	21	BRACKET, FUEL COCK .....	87	3
ARM, EX. VALVE ROCKER .....	76	5			22	BRACKET, REGULATOR .....	48	16
		16		159	10	BRAKE ASSY. ....	158	7
ARM, GOVERNOR .....	176	1		167	14	BRAKE SUB ASSY. ....	163	21
	188	1		172	14			23
	190	1	BOLT, FLANGE, 6X20 .....	196	21		164	23
	194	2		141	4		166	11
ARM, IN. VALVE ROCKER .....	76	4		159	12	[ C ]		
		15		160	12	CAP ASSY., FUEL TANK .....	87	4
ARRESTER COMP., SPARK .....	141	9		165	12		147	13
ARRESTER KIT, SPARK .....	143	16		167	16	CAP, CHOKO DUST .....	127	25
	143	12	BOLT, FLANGE, 6X21 .....	192	9	CAP, MUFFLER .....	141	6
[ B ]				141	4	CARBURETOR ASSY. ....	206	1
BALL, STEEL .....	205	3		160	12		111	7
BARREL ASSY., CYLINDER .....	41	1	BOLT, FLANGE, 6X23 .....	165	12		112	7
	42	1		167	15		113	7
	43	1			16		114	7
	45	9			11		115	7
	46	9		169	11	CARBURETOR KIT .....	128	30
BASE COMP., CONTROL .....	179	7	BOLT, FLANGE, 6X25 .....	172	16	CASE ASSY., AIR CLEANER .....	132	3
	180	7		59	16		133	3
	181	7	BOLT, FLANGE, 6X26 .....	59	16	CASE, AIR CLEANER .....	132	3
	185	20	BOLT, FLANGE, 6X28 .....	103	46	CHAMBER SET, FLOAT .....	109	3
	186	20		149	22		110	3
	187	31	BOLT, FLANGE, 6X32 .....	189	16		127	24
	188	9		195	14	CHOKO SET .....	129	34
	191	6	BOLT, FLANGE, 6X45 .....	182	11		170	15
		17		183	11		171	5
BASE, CONTROL .....	195	6		191	13	CIRCLIP, EXTERNAL, 14MM .....	191	16
BEARING, RADIAL BALL, 6006 .....	205	12	BOLT, FLANGE, 6X50 .....	182	11	CLAMPER, CORD .....	165	6
BEARING, RADIAL BALL, 6204 .....	205	13		183	11		166	6
BELT, TIMING .....	75	3	BOLT, FLANGE, 6X79 .....	140	3		170	15
	76	3		141	3		171	5
BOLT, CONNECTING ROD .....	71	4	BOLT, FLANGE, 6X80 .....	141	3		174	2
BOLT, DRAIN PLUG, 12X15 .....	61	24	BOLT, FLANGE, 6X85 .....	135	7	CLAMPER, STOP SWITCH CORD .....	165	4
BOLT, FLANGE, 10X24 .....	205	11		136	7			5
BOLT, FLANGE, 6X12 .....	43	5	BOLT, FLANGE, 6X86 .....	135	7		166	4
	102	45	BOLT, GOVERNOR ARM .....	181	10			5
	141	4		189	15		170	13
	149	21		191	12			14
	159	9		195	13	CLAMP, TUBE .....	99	34
	165	11	BOLT, SPECIAL .....	172	15			35
	166	13	BOLT, SPECIAL, 5X16 .....	172	13		100	37
	169	10	BOLT, SPECIAL, 6MM .....	135	7		151	30
	170	17		136	7			31
	174	6		174	5			32
	175	6	BOLT, SPECIAL, 6X45 .....	189	17		152	12
	195	12	BOLT, STUD .....	91	9			13
BOLT, FLANGE, 6X13 .....	43	5		96	21		196	19
	102	45		100	38			20
	141	4		101	38	CLIP A, CABLE .....	161	14
	159	9		105	27		163	19
BOLT, FLANGE, 6X14 .....	43	6		106	27		165	10
	49	17			28		166	10
	59	15		107	28		169	9
				152	6			

## PART NAME INDEX

Part name	Page	Ref.	Part name	Page	Ref.	Part name	Page	Ref.
CLIP A, CABLE .....	174	9	CORD, COMBINATION .....	174	11	[ E ]		
	191	14	CORD, STOP SWITCH .....	157	5	ELEMENT, AIR CLEANER .....	131	2
CLIP, GOVERNOR HOLDER .....	59	18		162	18	EMBLEM .....	198	4
	60	18		163	18		199	4
CLIP, PISTON PIN, 13MM .....	71	5		165	8	EXTENSION COMP., OIL FILLER ...	61	27
CLIP, PURSE LOCK .....	96	22			9	EXTENSION, OIL FILLER .....	52	5
	152	7			8		53	5
CLIP, TANK MOUNTING .....	107	54			8			
	108	54			16			
	146	9	CORD, TERMINAL EARTH .....	172	7	[ F ]		
CLIP, TUBE .....	93	12		174	4	FAN, COOLING .....	168	2
	94	13			8		171	2
	95	13			10	FLOAT SET .....	109	2
		14	COVER COMP., BREATHER .....	43	4	FLYWHEEL ASSY. ....	156	4
	96	26	COVER COMP., CYLINDER HEAD ...	43	3		157	4
		27		48	15		163	22
		28	COVER COMP., FAN .....	88	6		165	7
	99	33		89	6		166	7
	103	49		90	6	FLYWHEEL COMP. ....	162	17
	150	27		91	6		169	7
		28		103	63		171	6
		29		104	21		172	6
	151	29		105	21	FLYWHEEL KIT .....	164	26
		33	COVER, AIR CLEANER .....	134	6			27
	152	11		135	6			
		14	COVER, FAN .....	107	53			
		15		108	59	[ G ]		
	153	16	COVER, HEAD .....	43	3	GASKET, MUFFLER .....	141	5
	196	22		48	15	GAUGE ASSY., OIL LEVEL .....	51	2
		23	COVER, TOP .....	197	2		53	7
CLIP, WIRE HARNESS .....	96	23	CRANKSHAFT .....	65	1	GAUGE, FUEL LEVEL .....	147	17
	152	8			2	GOVERNOR ASSY. ....	55	9
COCK ASSY., FUEL .....	86	2			5		56	9
	97	31			6	GRID, SCREEN .....	169	5
	102	42			7	GRIP, STARTER .....	82	8
	144	3			8	GROMMET A, RR. COVER .....	163	20
	145	4			9		166	1
	195	9			10	GROMMET, BRAKE PLATE .....	164	25
COIL ASSY., IGNITION .....	155	3			11		167	20
	156	3	CRANKSHAFT COMP. ....	63	1	GROMMET, CHOKE ROD .....	191	8
	164	24			2		195	7
	165	3			3	GUIDE COMP., AIR .....	121	14
	166	3			4	GUIDE, AIR .....	127	26
	169	6			6			
	171	3			7	[ H ]		
		4			8	HANDLE, BOX WRENCH .....	199	13
COLLAR, FAN COVER .....	100	36			9	HOLDER ASSY., BLADE .....	205	1
	105	22			10	HOLDER, CABLÉ .....	179	6
COLLAR, FR. WINKER .....	91	8	[ D ]				187	24
	148	20	DEFLECTOR COMP., MUFFLER .....	141	7			25
	149	20		206	2			27
COLLAR, FUEL COCK .....	91	8		205	8			25
	148	20	DISK COMP., DRIVEN .....	205	7			27
	149	20	DISK, DRIVE .....	205	7			25
COLLAR, STOPPER .....	185	18	DOWEL PIN, 8X20 .....	61	23	HOLDER, GOVERNOR WEIGHT .....	57	11
	186	22				HOLDER, WIRE .....	161	14
CONTROL ASSY. ....	194	1					163	19
CONTROL ASSY., CHOKE .....	125	21					165	10
	128	28						





## PART NAME INDEX

Part name	Page	Ref.	Part name	Page	Ref.	Part name	Page	Ref.
HOLDER, WIRE .....	166	10	LEVER, CHOKE .....	188	10	NUT, SPECIAL, 14MM .....	170	12
	169	9		191	7		172	17
	174	1				NUT, TANK MOUNTING .....	147	12
		9	[ M ]			NUT, TAPPET ADJUSTING .....	76	12
	175	2				NUT, UPPER COWL .....	85	15
	191	14	MARK A, COMBINATION .....	199	10			
	195	11	MARK B, COMBINATION .....	199	11	[ O ]		
	196	24	MARK, AUTO CHOKE .....	201	24	OIL SEAL, 25.4X62X6 .....	44	7
[ I ]			MARK, CHOKE .....	199	6	OIL SEAL, 28X41.25X6 .....	60	19
INSULATOR COMP., CARBURETOR ...	125	18	MARK, CHOKE INDICATION .....	199	9		61	19
INSULATOR, CARBURETOR .....	117	10	MARK, EMBLEM .....	198	1	OIL SEAL, 6X11X4 .....	61	26
	118	10		199	4	O-RING, 14.8X2.4 .....	61	20
	125	18			7	O-RING, 6.8X1.9 .....	76	13
	129	32		201	17			
					22	[ P ]		
					26	PACKING SET .....	109	1
					30	PACKING, AIR CLEANER .....	133	5
[ J ]				204	40		134	5
JET, MAIN, #55 .....	123	16	MARK, ENGINE SWITCH .....	175	5	PACKING, CARBURETOR .....	119	12
	124	16	MARK, EX. CAUTION .....	203	35		120	13
JET, MAIN, #58 .....	123	16		204	42	PACKING, FUEL CAP .....	101	40
	124	16			43		102	40
JET, MAIN, #60 .....	121	16	MARK, FUEL COCK CAUTION .....	203	32	PACKING, INSULATOR .....	147	16
	123	16	MARK, HONDA .....	198	3		119	11
	124	16	MARK, OIL CAUTION .....	199	14	PACKING, OIL FILLER CAP .....	129	33
JET, MAIN, #62 .....	122	16	MARK, OPERATOR CAUTION .....	201	29		51	3
	123	16		203	33	PAN ASSY., OIL .....	52	4
JET, MAIN, #65 .....	122	16			34		50	1
	123	16		204	39	PIN, GOVERNOR WEIGHT .....	51	1
	124	16	MARK, RECOIL COVER .....	202	31	PIN, LOCK, 8MM .....	57	12
JET, MAIN, #68 .....	123	16		203	38	PIN, PISTON .....	61	22
	124	16	MARK, THROTTLE INDICATION ....	189	14	PIN, PISTON .....	69	2
JET, MAIN, #70 .....	123	16	MOTOR ASSY., STARTER .....	174	3	PISTON .....	67	1
			MUFFLER ASSY. ....	143	14		68	1
[ K ]			MUFFLER COMP. ....	138	1		69	1
KEY, COMBINATION SWITCH .....	175	4		139	1	PLATE ASSY., BALL CONTROL .....	205	15
KEY, SPECIAL WOODRUFF, 25X18 ..	154	1		143	15	PLATE COMP., BRAKE .....	205	5
	155	1	[ N ]			PLATE, ARRESTER NUMBER .....	142	10
	165	1	NOZZLE, MAIN .....	116	9	PLATE, BALL CONTROL .....	205	2
	166	2		117	9	PLATE, LEVER CENTER .....	188	7
	168	1	NUT, CENTER PANEL .....	85	15	PLATE, SIDE .....	155	2
	171	1		108	60		165	2
KEY, WOODRUFF, 16X15 .....	205	14	NUT, CLIP .....	85	15	PLATE, SPRING HOOK .....	205	4
KNOB, RECOIL STARTER .....	85	16	NUT, FLANGE CAP, 6MM .....	84	11	PLUG, SPARK .....	45	8
			NUT, FLANGE, 6MM .....	84	11	PROTECTOR COMP., MUFFLER .....	139	2
[ L ]				96	25		140	2
LABEL, E-SPEC .....	199	5		152	10	PROTECTOR, MUFFLER .....	143	13
		19		183	13		139	2
LABEL, WARNING .....	199	20		189	21	PULLEY COMP., CAMSHAFT .....	140	2
	200	20	NUT, SELF-LOCK, 5MM .....	189	19		74	1
		21	NUT, SELF-LOCK, 6MM .....	189	18	PULLEY, DRIVE .....	75	1
	203	37	NUT, SPECIAL, 14MM .....	161	13	PULLEY, STARTER .....	205	9
	204	41		165	13	PULLEY, TIMING BELT DRIVE .....	169	4
		44		167	17		65	3
LEVER ASSY., CHOKE .....	192	14						
	193	14						

## PART NAME INDEX

Part name	Page	Ref.	Part name	Page	Ref.	Part name	Page	Ref.
PUMP ASSY., FUEL .....	95	16	SCREW, TAPPING, 4X6 .....	141	8	STARTER ASSY., RECOIL .....	85	14
	152	1		142	11			17
[ R ]				143	17	STAY, FUEL COCK .....	102	43
RETAINER, IN. VALVE SPRING .....	47	14	SCREW, TAPPING, 5X12 .....	206	3		145	6
RETAINER, VALVE SPRING .....	47	14		103	47	STAY, FUEL PUMP .....	95	17
	48	14	SEAL, FUEL FILLER NECK .....	150	26		152	2
RING SET, PISTON .....	71	6	SEAL, VALVE STEM .....	195	17	STRAINER, FUEL .....	145	5
	72	6		146	8	SWITCH ASSY., COMBINATION .....	175	3
	73	6	SHAFT COMP., GOVERNOR HOLDER ..	46	10	SWITCH ASSY., ENGINE STOP .....	157	6
ROD ASSY., CONNECTING .....	70	3		47	10		166	9
	71	3	SHAFT, CAM PULLEY .....	53	8		172	8
ROD, CHOKE .....	181	9		54	8		183	14
	188	11	SHAFT, GOVERNOR ARM .....	55	8		184	14
	191	9		75	2		188	13
		10	SHAFT, ROCKER ARM .....	58	14		191	11
ROD, GOVERNOR .....	195	8	SHEET, THERMAL CONDUCTIVE .....	59	14		195	10
	177	2	SLIDER, GOVERNOR .....	76	6	[ T ]		
	188	2		128	27	TANK KIT, FUEL .....	144	1
	190	2	SPACER, CARBURETOR .....	57	13	TANK, FUEL .....	145	7
	194	3		58	13	THERMOWAX ASSY. ....	128	29
ROD, STOP .....	192	8	SPACER, CONTROL LEVER .....	187	30			31
ROPE, RECOIL STARTER .....	82	9		191	18			31
	83	9	SPONGE, FUEL CAP BREATHER .....	188	8	TUBE B, FUEL .....	129	31
RUBBER A, TANK MOUNTING .....	146	10		191	5		95	20
RUBBER B, TANK MOUNTING .....	147	11	SPRING, BALL PLATE .....	147	15		96	20
RUBBER, FAN COVER .....	107	48	SPRING, BRAKE LEVER .....	205	6		152	5
RUBBER, SUPPORTER .....	86	1		159	8	TUBE, BREATHER .....	130	1
	144	2	SPRING, CABLE RETURN .....	166	12		131	1
[ S ]			SPRING, CHOKE LEVER .....	172	10		137	9
SCREW-WASHER, 4X12 .....	161	15	SPRING, CLUTCH .....	192	2	TUBE, DIAPHRAGM .....	95	18
	167	18	SPRING, CONTROL ADJUSTING .....	192	5		152	3
	184	15		205	10	TUBE, FUEL .....	88	5
SCREW-WASHER, 5X10 .....	189	20	SPRING, CONTROL LEVER RETURN ..	185	17		97	32
	92	10	SPRING, GOVERNOR .....	186	21		98	32
	149	25		181	8	TUBE, FUEL TANK .....	148	19
SCREW-WASHER, 5X14 .....	96	24	SPRING, RETURN .....	177	3		92	11
	152	9	SPRING, TENSIONER .....	178	3		95	19
SCREW SET .....	111	5	SPRING, THROTTLE RETURN .....	188	3		102	44
		6		190	3		147	18
	126	23	SPRING, IDLE GOVERNOR .....	194	4		148	18
SCREW SET A .....	110	4		187	29	TUBE, FUEL, 4.5X110 .....	152	4
SCREW SET, DRAIN .....	125	17	SPRING, LEVER .....	179	5		103	48
SCREW, PAN, 5X10 .....	175	7		188	5		149	23
SCREW, PAN, 5X12 .....	175	8	SPRING, RETURN .....	192	2	TUBE, FUEL, 4.5X140 .....	195	15
SCREW, PAN, 5X16 .....	183	12	SPRING, TENSIONER .....	172	12	TUBE, FUEL, 5.3X150 .....	92	11
	189	24	SPRING, THROTTLE RETURN .....	178	4		93	11
SCREW, PAN, 5X28 .....	185	19		188	4	TUBE, FUEL, 7.3X145 .....	195	16
SCREW, PAN, 5X6 .....	121	15	SPRING, VALVE .....	190	4	TUBE, FUEL, 7.3X160 .....	149	24
SCREW, PAN, 5X8 .....	174	7		194	5	TUBE, VINYL,		
	187	28	STARTER ASSY., RECOIL .....	47	13	9X11X210	96	29
SCREW, RECESSED, 5X18 .....	187	26		77	1		153	17
SCREW, RECESSED, 5X28 .....	185	19		78	1	TUBE, VINYL, 11X13X100 .....	96	30
	186	23		79	1	TUBE, VINYL, 13X15X90 .....	153	18
SCREW, TAPPET ADJUSTING .....	76	11		80	1	TUBE, VINYL, 9X11X190 .....	153	17
SCREW, TAPPING, 4X16 .....	197	3		81	1	[ V ]		
				84	13	VALVE, EX. ....	47	12
					14			



## PART NAME INDEX

Part name	Page	Ref.	Part name	Page	Ref.	Part name	Page	Ref.
VALVE, FLOAT .....	115	8						
VALVE, IN. ....	47	11						
[ W ]								
WASHER, 14X45 .....	173	18						
WASHER, CONTROL LEVER .....	188	6						
WASHER, DRAIN PLUG, 12MM .....	61	25						
WASHER, EXTENSION LOCK .....	53	6						
	62	28						
WASHER, PLAIN, 4MM .....	162	16						
	167	19						
	184	16						
	189	22						
WASHER, PLAIN, 5MM .....	173	20						
WASHER, PLAIN, 6MM .....	61	21						
WASHER, SPECIAL .....	173	19						
WASHER, THRUST .....	64	5						
	65	4						
	66	4						
WASHER, THRUST, 6MM .....	59	17						
WEIGHT, GOVERNOR .....	56	10						
WRENCH COMP., SPARK PLUG .....	199	12						



---

**1**

**FOREWORD INDEX**

---

**2**

**ENGINE GROUP**

---

**3**

**PART NUMBER INDEX**

---

**4**

**PART NAME INDEX**

---

**HONDA**