

FOREWORD

You have just purchased a Honda battery powered lawnmower and we thank you for your confidence in us.

This manual has been written to familiarize you with your machine, to enable you to use it in the best possible conditions and to carry out its maintenance.

Our aim is to make you benefit to the full from technological advances, from new equipment and materials and from our experience. This is why we regularly make improvements to our models. Thus, the specifications and information contained in this manual may be modified without prior notice and without obligation to update it.

The illustrations in this manual show the most suitable model to represent the topic dealt with.

The other illustrations common to all types are based on the HRG466XB.

If you have a problem, or if you have any questions concerning the machine, contact your servicing dealer.

Keep this manual handy so you can refer it at any time. If you sell the machine, be sure that the manual accompanies it.

We recommend that you read the guarantee policy to fully understand your rights and responsibilities. The guarantee policy is a separate document provided by your dealer.

No reproduction, even partial, may be made of this publication without prior written authorisation.

SAFETY INSTRUCTIONS

For your own safety and operating comfort, it is highly recommended that you read this manual in full.

Pay attention to these symbols and their meaning:

WARNING

Indicates a high risk of severe personal injury or death if instructions are not followed.

CAUTION:


• Indicates a possibility of personal injury or equipment damage if instructions are not followed.

NOTE: Source of useful information.

HOW TO IDENTIFY YOUR MACHINE

	CATEGORY	SERIES	TYPE	OPTION
Sample	HRG	416XB	PE	EA
Description	HRG= Lawnmower		P= Push type	EA= Destination Europe
			S= Self propelled type	UA= Destination Australia

The model of your battery powered lawnmower is indicated on its "Identification label" (see page 4) by a series of letter.

 _____
Write down your machine's serial number here

Write down your machine's model here

Honda France Manufacturing S.A.S. - Pôle 45 - Rue des Châtaigniers
45140 ORMES - FRANCE - All rights reserved

3RVAA601
00X3R-VAA-6010

HRG416XB
HRG466XB

2020
Printed in France

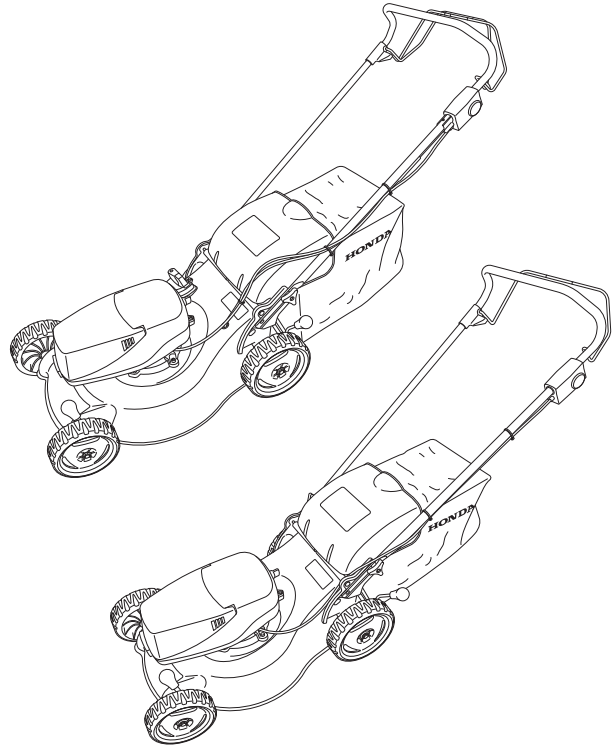
HONDA

OWNER'S MANUAL

ORIGINAL INSTRUCTION

Battery powered lawnmower

HRG416XB • HRG466XB



Dedicated battery pack and charger for these machines are needed for operation. They are sold separately.

CONTENTS

Foreword	1
Safety instructions	2
Safety stickers	4
Identification of machine	4
General description	4
Preparation and checks before use	5
Selecting the cutting mode (HRG466XB only)	8
Mowing	9
Operating hints and tips	9
Maintenance	11
Troubleshooting	15
Storage	15
Transport	16
Useful information	16
Technical specifications	17
Major Honda distributor addresses	18
"EC Declaration of Conformity" CONTENT OUTLINE	19

ENGLISH

FRANCAIS

DEUTSCH

ITALIANO

NEDERLANDS

SVENSKA

SAFETY INSTRUCTIONS

TO BE FOLLOWED CAREFULLY

Read carefully before using the machine.

WARNING

Indicates a high risk of severe personal injury or death if instructions are not followed.

CAUTION:

- Indicates a possibility of personal injury or equipment damage if instructions are not followed.

NOTE: Source of useful information.

A) TRAINING

- 1) Read the instructions carefully. Become familiar with the controls and the proper use of the machine. Learn how to stop the motor quickly.
- 2) Never allow children or persons unfamiliar with these instructions to use the machine. Local regulations can restrict the minimum age of the operator.
- 3) Never use the machine:
 - when people, especially children or pets are nearby.
 - if the operator has taken medicine or substances that may impair his ability to react and be attentive.
- 4) Keep in mind that the operator or user is responsible for accidents or hazards occurring to other people or their property.
- 5) Never attempt to modify the machine. It can cause an accident as well as damage to the machine. Tampering with the machine voids the EU type-approval of this machine.

B) PREPARATIONS

- 1) While mowing, always wear sturdy footwear and long trousers. Do not operate the machine when barefoot or wearing open sandals. Avoid wearing clothing that is loose fitting or has hanging cords or ties. To reduce the effects of vibration, wear anti vibration gloves. To reduce the effects of noise, wear ear defenders.
- 2) Thoroughly inspect the entire work area and remove anything that could be thrown by the machine or damage the cutting unit or motor (stones, branches, iron wire, bones, etc.).
- 3) Before use, always inspect generally and in particular to see that the cutting-means, screws and cutting unit are not worn or damaged. Replace damaged or worn cutting-means and screws in their entirety to preserve balance. Replace damaged or unreadable stickers.
- 4) Before use check the battery pack for signs of damage or aging. Do not use the machine if the battery pack is damaged or worn. Check the battery terminals are not to be short-circuited.
- 5) Do not operate without either discharge cover or grass catcher in place.

C) OPERATION

- 1) Mow only in daylight or good artificial light.
- 2) Avoid mowing wet grass or when it is raining.
- 3) Make sure you have a steady foothold on slopes.
- 4) Never run, always walk; do not let the machine pull you.
- 5) Always mow transversely on slopes and never up and down.
- 6) Be extremely carefully when changing directions on slopes.
- 7) Never mow on overly steep slopes. Do not mow on slopes of more than 20° (36%).

- 8) Be extremely careful when pull the machine toward you.
- 9) Stop the cutting-means if the machine has to be tilted for transportation when crossing surfaces other than grass, and when transporting the machine to and from the area to be used.
- 10) Never operate the machine with damaged guards or without the grass catcher or stone-guard.
- 11) Start up the motor carefully according to the instructions, keeping feet away from the cutting-means.
- 12) Do not incline the machine when starting the motor, unless necessary for start up. In this event, do not incline it more than is absolutely necessary and only lift the part that is far from the operator. Always ensure that both hands are in the working position before lowering the machine again.
- 13) Do not start the machine when standing in front of the discharge opening.
- 14) Never place your hands and feet near or under rotating parts. Keep away from the discharge opening.
- 15) Do not transport the machine while the power source is running.
- 16) Remove the isolator key and the battery pack or switch the isolator key to the off (O) position:
 - whenever you leave the machine.
 - before clearing blockages or unclogging chute.
 - before checking, cleaning or working on the machine.
 - after striking a foreign object. Inspect the machine for damage and make repairs before restarting and operating the machine.If the machine starts to vibrate abnormally, check immediately.
 - inspect for damage.
 - replace or repair any damaged parts.
 - check for and tighten any loose parts.
- 17) Stop the motor:
 - whenever you remove or reattach the grass catcher.
 - whenever you adjust the cutting height.
- 18) Do not fix the isolator key with a strap to the machine.
- 19) When mowing, always keep a safe distance from the rotary cutting-means, given by the length of the handle.
- 20) **WARNING** - If something breaks or an accident occurs during mowing, turn off the motor immediately and move the machine away to prevent further damage; if an accident occurs with injuries or third parties are injured, carry out the first aid measures most suitable for the situation immediately and contact the medical authorities for any necessary health care. Carefully remove any debris that might cause damage or harm persons or animals should it not be seen.
- 21) The levels for noise and vibration indicated in this manual are the maximum values for using the machine. The use of an unbalanced cutting-means, an excessive speed of movement and a lack of maintenance have a significant effect on sound emissions and vibration. It is therefore necessary to take preventive measures to eliminate all possible damage due to high noise levels, and stresses due to vibrations; please ensure that the machine is well maintained, wear an anti-noise helmet. Take breaks during the work.

D) MAINTENANCE AND STORAGE

- 1) Keep all nuts and screws tight to be sure the machine is always in safe working condition. Routine maintenance is essential for safety and for maintaining a high performance level.
- 2) Check the stone-guard and grass catcher frequently for wear or deterioration.
- 3) Be careful during adjustment of the machine to prevent entrapment of the fingers between moving cutting-means and fixed parts of the machine.
- 4) Always allow the machine to cool down before storing.
- 5) When servicing the cutting-means be aware that, even though the power sources is switched off, the cutting-means can still be moved.
- 6) For safety reasons, never use the machine when it has worn or damaged parts. Parts must be replaced and not repaired. Use original spare parts. Parts that are not of the same quality can damage the equipment and impair your safety.
- 7) To reduce fire hazards, keep machine and in particular, the motor, free of grass, leaves, or excessive grease. Never leave containers with cut grass inside a storage area.
- 8) To clean the grass catcher, use water from a hose. Do not use high pressure washer.
- 9) Correct storage is essential for maintaining the life of the product. If possible, avoid storage areas with high humidity which could cause rust or corrosion.
- 10) End of season storage: Remove battery pack and store both machine and battery pack in a dry safe place away from direct sunlight. Do not place objects on top of the machine.
- 11) When storing for extended periods, thoroughly clean the product beforehand.

E) GENERAL PRECAUTIONS

- 1) Any repairs must be done at your servicing dealer. Turn off the isolator key and remove it from the machine if the machine begins to vibrate abnormally, then contact your servicing dealer for inspection.
- 2) Keep both hands on the grip during start up.
- 3) Parts subject to wear must only be replaced at your servicing dealer.
- 4) Never use the machine if the battery pack is damaged or worn.
- 5) Do not touch the cutting-means until the isolator key is removed from the machine and that the cutting-means is completely still.
- 6) Before transport or storage ensure machine is clean and free from debris, if necessary clean with a soft, dry brush.
- 7) Do not use forced water and avoid wetting the motor or the electrical components. Do not use harsh products for cleaning the chassis.
- 8) Keeping the underside of the machine clean will improve performance. Always keep the battery pack attaching area clean.
- 9) Store the isolator key safely and keep it away from children.

F) ADDITIONAL WARNINGS

- 1) **WARNING - DANGER!** Moisture and electricity are not compatible:
 - always handle and connect battery pack in dry conditions.
 - never allow battery pack to contact wet areas (puddles or wet grass).
- 2) Wear work gloves for disassembling and reassembling cutting-means.
- 3) Keep the cutting-means balanced during sharpening. All work on the cutting-means (disassembly, sharpening, balancing, reassembly and/or replacing) are demanding jobs that require special skills as well as special tools. For safety reasons, these jobs are best carried out at your servicing dealer.
- 4) Recommendations for optimal handling of the battery pack and charger.
 - WARNING -** Do not attempt to charge non rechargeable batteries with the charger.
 - for your safety, ensure the isolator key and operator controls are in the off position before inserting battery pack. Inserting the battery pack into machine that have the switch on can be dangerous.
 - insert the battery pack until the locking mechanism clicks. To remove the battery pack, operate battery cover opening lever.
- 5) Rechargeable batteries are to be removed from the machine before being charged.

G) TRANSPORTATION AND HANDLING

- 1) Whenever the machine is to be handled, lifted, transported or tilted you must:
 - wear sturdy work gloves.
 - grasp the machine at the points that offer a safe grip, taking account of the weight and its distribution.
 - use an appropriate number of people for the weight of the machine and the characteristics of the vehicle or the place where it must be placed or collected.
- 2) During transport, fasten the machine securely with cables or chains.
- 3) Ensure that isolator key and the battery pack are removed from the machine before transporting the machine or folding handle.

SAFETY STICKERS

Your machine must be used with care. Therefore, decals have been placed on the machine, to remind you pictorially of main precautions to take during use. Their meaning is explained below.

These decals are considered as a part of the machine. Should one become detached or unreadable, contact your servicing dealer for its replacement.

We also recommend that you read the safety advice carefully (see page 2).

Destination Europe (PEEA, SEEA)	Destination Australia (PEUA, SEUA)
	<div style="border: 1px solid black; padding: 5px;"> <p style="text-align: center;">⚠ DANGER</p> <p>SHARP BLADE You will be seriously cut by the rotating blade. Keep hands and feet away when motor is running.</p> <hr/> <p style="text-align: center;">⚠ WARNING</p> <p>AVOID SERIOUS INJURY OR DEATH. ■ Follow all instructions in Owner's Manual. ■ Keep safety devices (guards, shields, switches, etc.) in place and working. ■ Avoid steep slopes. ■ Look down and behind before and while moving backwards. ■ Do not operate unless properly trained. ■ To reduce the risk of electric shocks, do not expose to water or operate on wet ground. ■ Remove the battery pack before servicing or removing blade. ■ OBJECTS THROWN BY BLADE CAN CAUSE SERIOUS INJURY. ■ Inspect area and remove debris before mowing. ■ Do not mow when children or others are around. ■ Wear eye protection. ■ DO NOT OPERATE UNLESS GUARD IS CLOSED OR BAG IS IN PLACE.</p> </div>

- [1] **WARNING:** Read the owner's manual before using the machine.
- [2] Risk of projections: Keep third persons away from the area during use.
- [3] Risk of cuts. Rotating cutting-means: Do not put hands or feet inside the cutting-means enclosure. Switch the isolator key to the off (O) position and remove the isolator key and the battery pack before adjusting, cleaning and before leaving the product unattended for any period. The cutting-means continue to rotate after the motor is switched off.
- [4] Do not operate without either discharge cover or grass catcher in place.

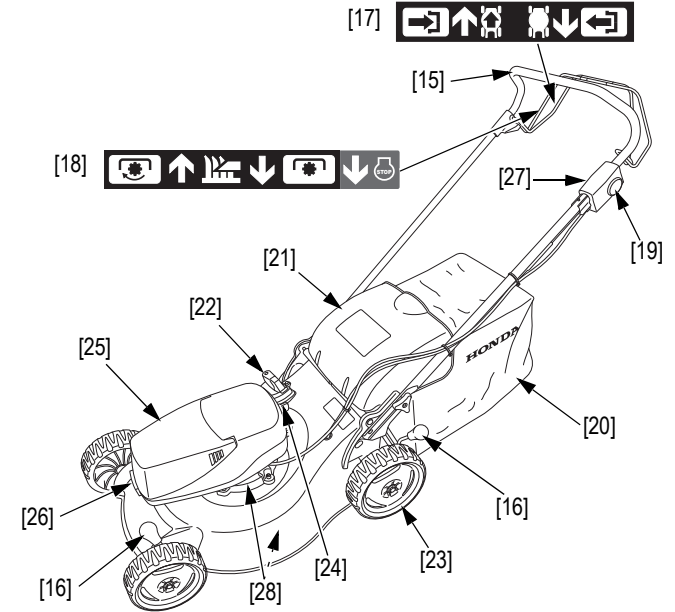
IDENTIFICATION OF MACHINE

Destination Europe (PEEA, SEEA)

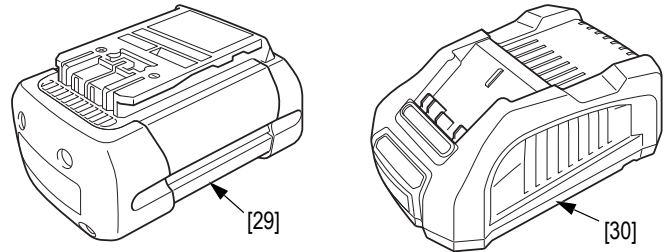
Destination Australia (PEUA, SEUA)

- [5] Sound power level
- [6] CE marking
- [7] Rated voltage
- [8] Recommended motor speed in min⁻¹
- [9] Mass in kilograms
- [10] Year of manufacture
- [11] Serial number
- [12] Model - Type
- [13] Name and address of the manufacturer
- [14] IP code (moisture and dust ingress resistance (only guaranteed with battery installed))

GENERAL DESCRIPTION



Battery pack and charger
*Dedicated battery pack and charger for these machine are needed for operation. They are sold separately.



EQUIPMENT IDENTIFICATION

CONTROLS	FUNCTIONS
[15] Handle	
[16] Lever for adjusting the cutting height	Selects the desired cutting height
[17] Drive clutch lever (HRG466XB only)	Controls the transmission which drives the rear wheels
[18] Cutting-means control lever	Stops and starts the cutting-means rotation
[19] Yellow button	Controls the motor by a dual action switch to prevent starting it accidentally
[20] Grass catcher	Collects the cut grass
[21] Discharge cover	Protects from the projections
[22] Clip director (HRG466XB only)	Switching mulching/rear discharge
[23] Rear wheels	
[24] Isolator key	
[25] Battery cover	
[26] Battery cover opening lever	
[27] Battery indicator	
[28] Motor cooling fins	
[29] Battery pack	
[30] Charger	

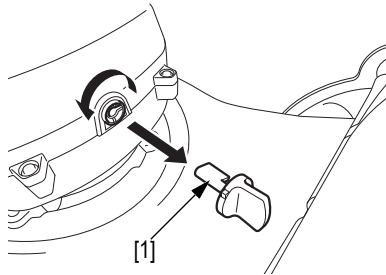


Do not dispose of electric equipment together with household waste material. If electrical appliances are disposed of in landfills or dumps, substances can leak and react and enter into the foodchain, damaging your health and well-being. For further information on the disposal of this product, please contact your servicing dealer or your nearest domestic waste collection service.

PREPARATION AND CHECKS BEFORE USE

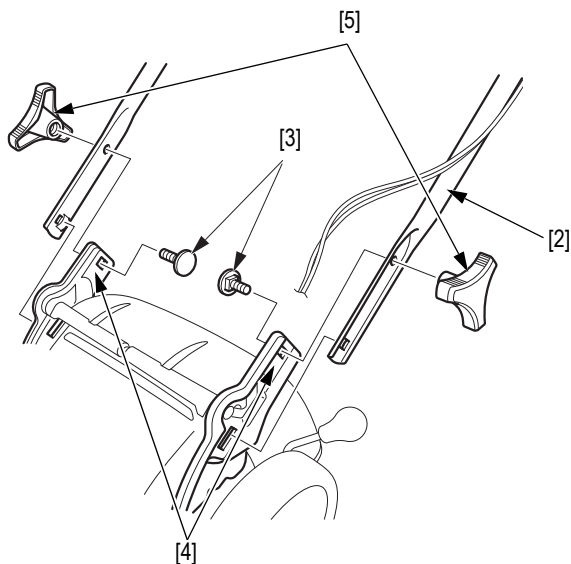
⚠ WARNING

To carry out this series of checks, place the machine on stable and level ground with the isolator key [1] and the battery pack removed from the machine.



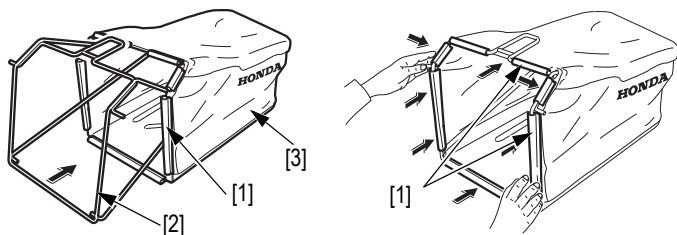
ASSEMBLY OF THE HANDLE

1. Ensure that the grass catcher is not installed.
2. Attach the handle [2] to the deck frame so that the cable(s) is/are on the left side.
3. Install the two bolts [3] to the handle fixing points [4] from the inside of the handle. Fix them with two handle fixing knobs [5]. Make sure the knobs are securely tightened.



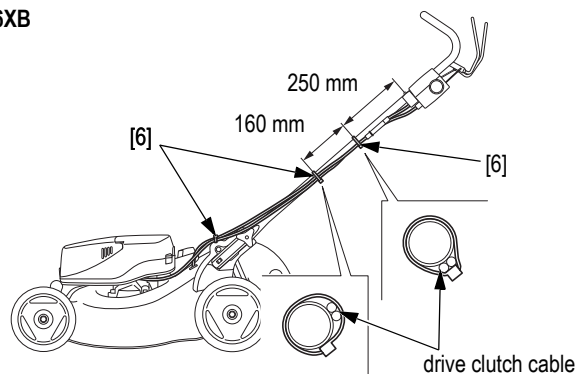
ASSEMBLY OF THE GRASS CATCHER

Insert the frame [2] into the grass catcher fabric [3] and fit the plastic edges [1] to the frame.

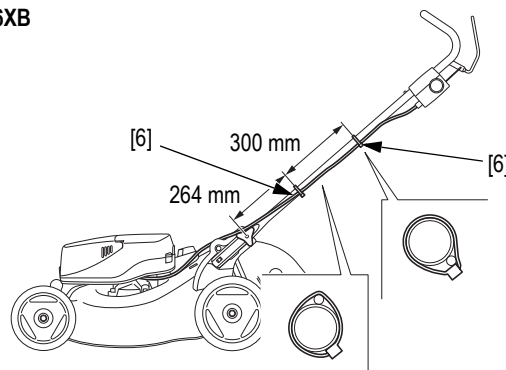


4. Check that the cable(s) pass(es) over the left handle fixing knob and are attached to the left side of the handle with tie straps [6] as shown in the figure.

HRG466XB



HRG416XB



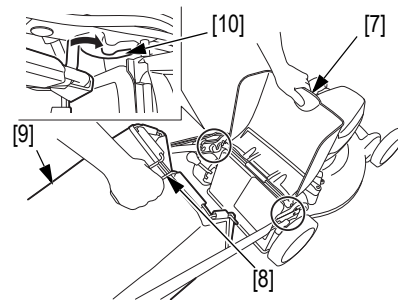
CHECKING THE GRASS CATCHER

⚠ WARNING

Before use, ensure that the grass catcher closing device is correctly closed (discharge cover). Even in normal use, the grass catcher tends to wear. Regularly check that it is not frayed or torn. A worn out grass catcher must be replaced. Replace a damaged grass catcher with Honda Genuine parts.

Grass catcher removal:

1. Raise discharge cover [7], grasp handle [8] and remove grass catcher [9] while keeping it in an upright position.



Grass catcher fitting:

1. Raise the discharge cover and hook the front of the grass catcher on the machine's attachment lugs [10].

NOTE:

- The machine operates like a vacuum cleaner; it blows air into the grass catcher sucking up the grass cuttings. Empty the grass catcher before it is full to help emptying and minimizing the dropping of grass cuttings. Bagging performance will diminish after the grass catcher becomes about 90% full.
- HRG466XB only: Mulching is a natural fertilisation technique. The grass is no longer collected in the grass catcher, but is finely ground and deposited on the lawn. The grass cuttings chopped up in this way decompose in the sun and form a natural humus which can produce a quarter of the annual fertilisation requirement of your lawn.
- In addition to its fertilising role, mulching protects the ground, limits evaporation of water during hot periods and relieves you of the task of collecting the grass.

PREPARATION OF THE BATTERY PACK

A charged battery pack must be installed to the machine to operate the machine. Please refer to the [page 6](#) for handling of the battery pack.

INSTALLATION AND REMOVAL OF THE BATTERY PACK

⚠ WARNING

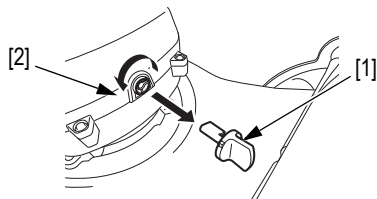
Do not handle with wet hand, or under rain condition.

CAUTION:

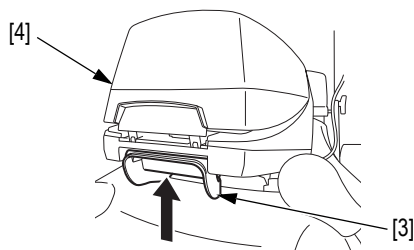
- When you close the battery cover, please pay attention to avoid pinching your finger by battery cover.
- For the each action, please pay attention to avoid any injured.
- Always use Honda battery pack.

Installation:

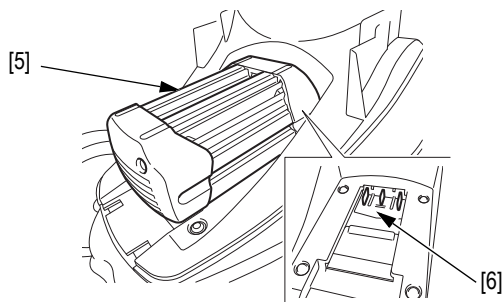
1. Turn the isolator key [1] to the off (O) position [2] and remove the key from the motor.



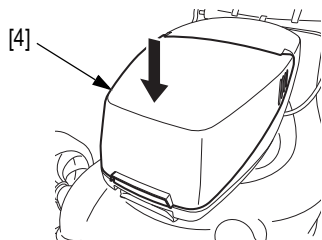
2. Push the battery cover opening lever [3] to open the battery cover [4].



3. Ensure that the battery pack attaching area is clean. Install the battery pack [5] to the terminal [6]. **Push the battery pack until you hear clicking sound.**



4. Close the battery cover securely.



NOTE:

Whenever you open the cover, always confirm that the battery is well connected before closing it.

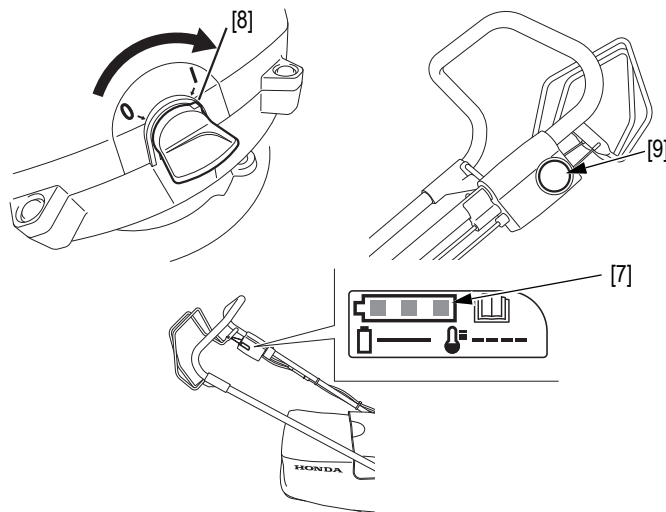
Removal:

1. Turn the isolator key to the off (O) position and remove the key from the motor.
2. Push the battery cover opening lever to open the battery cover. When the cover is opened, **the battery pack comes off from the terminal simultaneously.**
3. Pick up the battery pack.
4. Close the battery cover securely.

CHECKING BATTERY LEVEL

Battery level can be confirmed with the battery indicator [7] on the left side of the handle.

1. Install the battery pack to the machine.
2. Insert the isolator key to the motor and turn the key to ON (I) position [8].
3. Press the yellow button [9], then the battery indicator will come on.

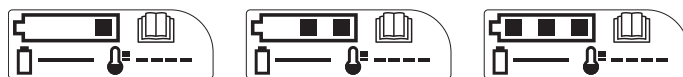


4. Remaining battery capacity is displayed in 3 levels.

LEDs behavior of battery indicator

- LEDs show battery pack and machine status.
- When the battery is installed and isolator key is on, the LEDs will come on by operating the yellow button or cutting-means control lever.
- LEDs light for approximately 48 seconds.
- While the machine is running, LEDs do not light.

LEDs show machine or battery pack condition as following.



1 LED on

0% < state of charge ≤ 30%

2 LED on

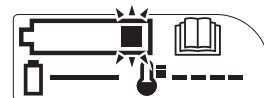
30% < state of charge ≤ 60%

3 LED on

60% < state of charge ≤ 100%

Blinking 1 LED

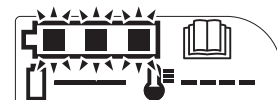
State of charge 0% = Empty



Blinking 3 LED

Motor shut off due to motor overheating or battery pack overheating.

Turn the isolator key to off (O) and let the machine cool down for 30 to 60 minutes.



Charge the battery pack if the battery level is low.

See annexed instructions for battery pack and charger.

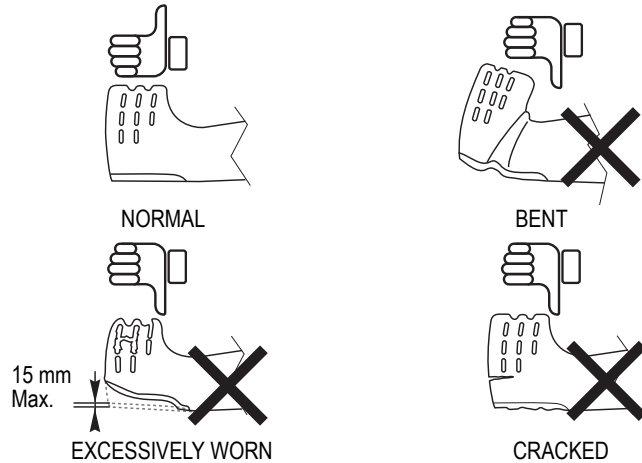
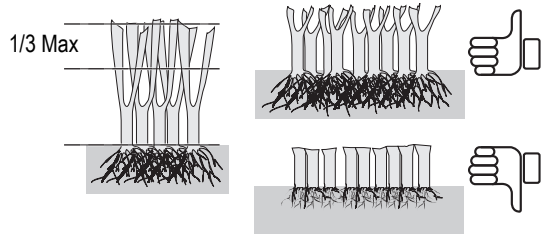
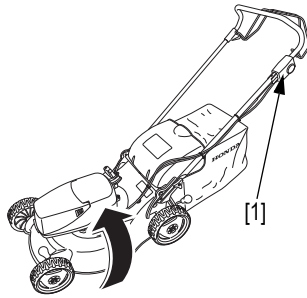
CHARGING THE BATTERY PACK

See annexed instructions for battery pack and charger.

CHECKING CUTTING-MEANS CONDITION

To check cutting-means condition:

1. Ensure that the isolator key and the battery pack are removed from the machine.
 2. Tilt the machine to the right so the yellow button side [1] is up.
- Check if the cutting-means is showing signs of wear. It is necessary to replace the cutting-means when the recesses join together, or when a crack appears, or if it is bent.



- Check that cutting-means bolts are not loose (see "Maintenance" chapter [page 11](#)).
- To replace or remove the cutting-means, refer to the procedure described in the "Maintenance" chapter [page 11](#).

NOTE:

- Do not cut more than 1/3 of the initial height of the grass in one passage as brown spots will appear. The cut will be cleaner and this will limit the possibility of cutting-means and chute blockage.
- If the lawn is too high, mow at the maximum permissible height of the machine. Mow the lawn again 2 or 3 days later.
- The depth of the roots is proportional to the height of the grass cuttings: the shorter the cut, the shallower the roots.
- Choose a cutting height suited to the use of the lawn: leisure, sport: 5 cm or more, ornamental: 1 to 3 cm.
- Only some species of lawn can endure short cuts. If a lawn is cut too short, it is fragile and susceptible to dryness. Please ask the advice of a specialist.

CHECKING THE CUTTING-MEANS BOLT TIGHTNESS

See "CUTTING-MEANS FITTING AND REMOVAL" ([page 12](#)).

CHECKING THE DRIVE CLUTCH CABLE (HRG466XB ONLY)

See "DRIVE CLUTCH CABLE INSPECTION (HRG466XB ONLY)" ([page 11](#)).

CHECKING THE CUTTING-MEANS CONTROL CABLE

See "CUTTING-MEANS CONTROL CABLE INSPECTION" ([page 12](#)).

CHECKING THE MOTOR COOLING FINS AND BATTERY LOCATION

See "MOTOR COOLING FINS AND BATTERY LOCATION CLEANING" ([page 13](#)).

CHECKING THE MOTOR ROTATION CONDITION

Check that there is no malfunction, abnormal noise or abnormal vibration by rotating and stopping the motor.

If there is malfunction, abnormal noise or abnormal vibration from the motor, stop using it immediately, contact your servicing dealer.

CHECKING AROUND THE MACHINE

Check and clean the debris, grass or any other foreign object around the machine.

⚠ WARNING

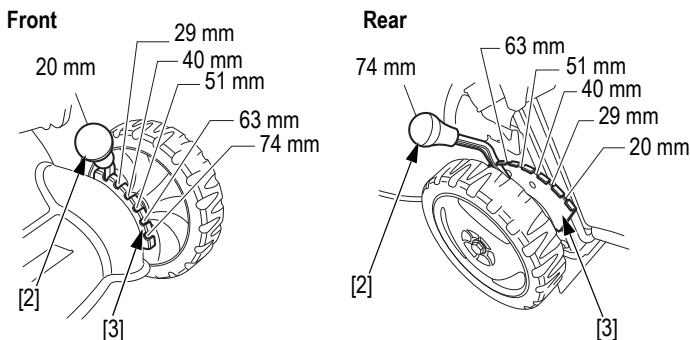
Never operate the machine with a worn, damaged, split or dented cutting-means. Pieces of cutting-means which breaks off and is thrown outwards can cause serious personal injuries.

NOTE: Cutting-means wear is increased when the machine is used on sandy soils. Inspect the cutting-means more often when the machine is used in these conditions.

ADJUSTING CUTTING HEIGHT

To change the cutting height:

1. Remove the isolator key and the battery pack or switch the isolator key to the off (O) position.
2. Pull the adjusting lever [2] towards the wheel and place it in the adjustment groove [3]. Adjusting lever and adjustment grooves are near the front left and rear left wheel.



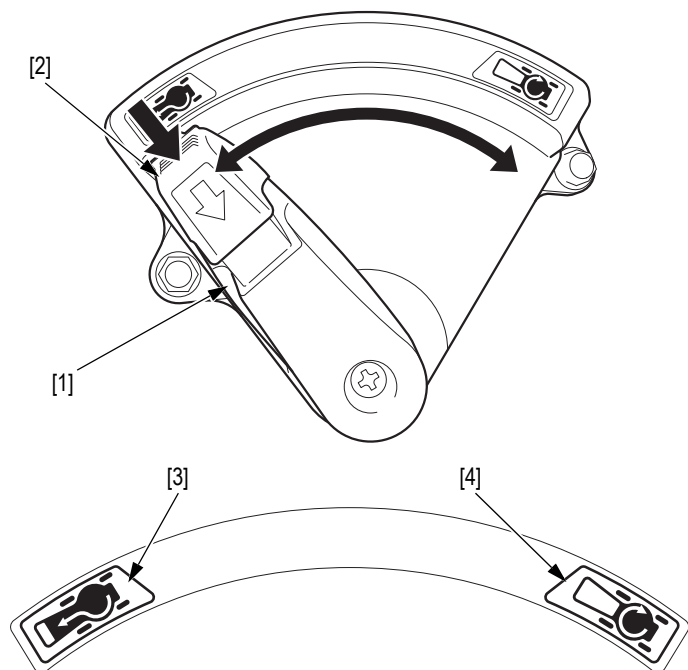
The cutting height settings are approximate values, the actual height of the cut grass varies with the lawn and ground condition. To choose the cutting height, check how the lawn looks after mowing a small area and adjust the cutting height where necessary.

SELECTING THE CUTTING MODE (HRG466XB ONLY)

SWITCHING THE CLIP DIRECTOR

The cutting mode can be switched by operating the clip director [1].

1. Release the cutting-means control lever and the drive clutch lever.
2. Push the unlock button [2] and turn the clip director lever to select the cutting mode.



- Grass collection / Rear ejection position [3]: all the grass cuttings are ejected at the rear of the machine, the grass cuttings are not mulched. With the grass catcher, the ejected grass will be collected into the grass catcher. Without grass catcher, the grass will be ejected to the ground. See [page 5](#) to mounting or removing the grass catcher.
- Mulching position [4]: the grass is not ejected at the rear of the machine, but is finely cut and deposited on the lawn. The grass cuttings chopped up in this way decompose and form a natural compost which can produce a quarter of the annual fertilisation requirement of your lawn.

NOTE:

- Mulching is a natural fertilisation technique. The grass is no longer collected in the grass catcher, but is finely cut and deposited on the lawn.
- In addition to its fertilising role, mulching protects the cut, limits evaporation of water during hot periods and relieves you of the task of collecting the grass.

REAR EJECTION

If you do not want to collect the cut grass, the machine can be used without the grass catcher in the mulching position [3]. In this case, the grass ejected is guided to the ground by the discharge cover.



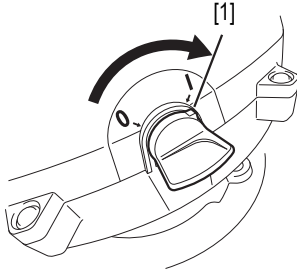
MOWING

HRG416XB and HRG466XB are battery powered products. When squeezing the cutting-means control lever while pressing the yellow button, motor and cutting-means will start turning immediately.

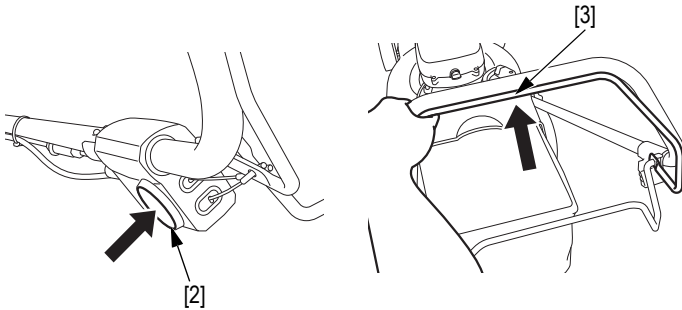
TO ROTATE THE CUTTING-MEANS

Ensure that the charged battery pack is installed to the machine (page 6).

1. Insert the isolator key to the motor and turn the key to ON (I) position [1].



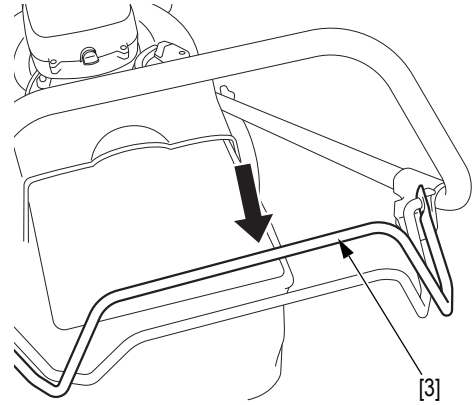
2. While pressing the yellow button [2], push the cutting-means control lever [3]. The cutting-means start rotating.



3. Release the yellow button. Hold the cutting-means control lever to keep the cutting-means rotating.

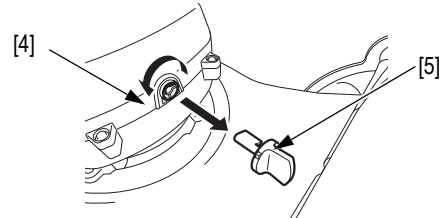
TO STOP THE CUTTING-MEANS ROTATION

1. Release the cutting-means control lever [3]. The cutting-means rotation stops.



If you leave the machine, or stop the working, etc., do the following step.

2. Turn the isolator key to off (O) position [4] and remove the isolator key [5] from the motor.



Remove the battery pack if necessary (page 6).

OPERATING HINTS AND TIPS

⚠ WARNING

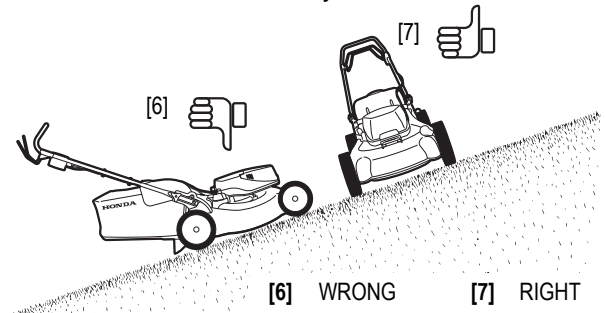
Take special care when mowing on uneven or irregular ground. The machine may tip over and cutting-means may throw out objects which were hidden.

Keep the 4 wheels firmly on the ground.

Control the direction of the machine using the handle and not by exerting pressure on the cutting-means enclosure with your foot.

CAUTION:

- When mowing around an obstacle, be careful that the cutting-means does not hit it. Never push the machine directly over an object.
- When mowing an uneven area, do not let yourself be pulled along by the machine. Hold the handle firmly and control its movements.



MOWING PROCEDURE

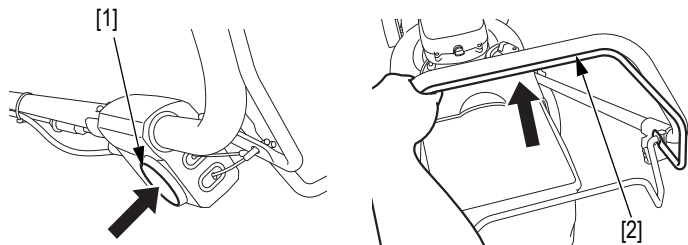
Read the safety instructions before starting to mow.

Using self-propelling system (HRG466XB only):

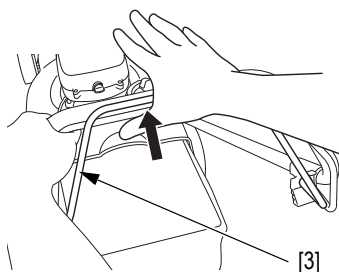
⚠ WARNING

Always release the drive clutch lever when engaging the cutting-means control lever. If drive clutch is engaged, the machine will move when the motor is started.

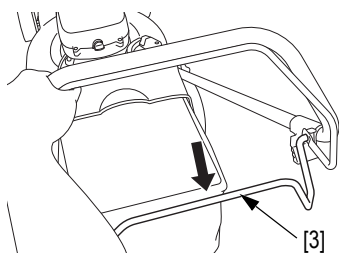
1. Start the motor and engage the cutting-means.
 - While pressing the yellow button [1], push the cutting-means control lever [2]. The cutting-means start rotating.



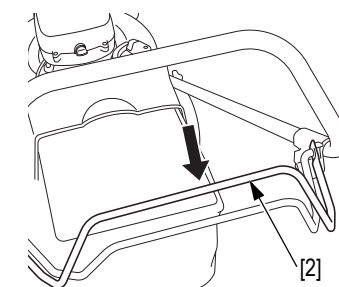
2. Push the drive clutch lever completely.



3. To stop the machine moving forward.
 - Release the drive clutch lever.



4. To stop the cutting-means rotating.
 - Release the cutting-means control lever.

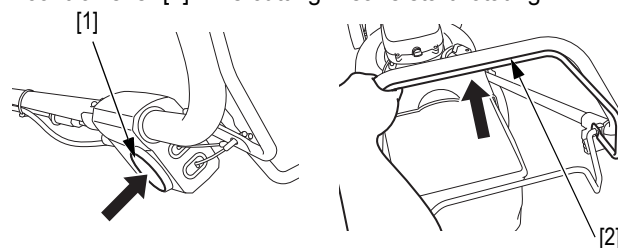


Push by hand to propel the machine (All types):

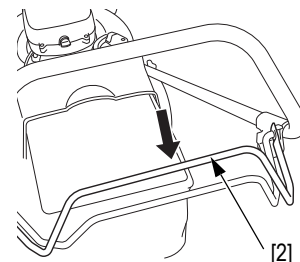
⚠ WARNING

Always release the drive clutch lever when engaging the cutting-means control lever. If drive clutch is engaged, the machine will move when the motor is started.

1. Start the motor and engage the cutting-means.
 - While pressing the yellow button [1], push the cutting-means control lever [2]. The cutting-means start rotating.



2. Push the handle by hand to mow the lawn.



3. To stop the cutting-means rotating.
 - Release the cutting-means control lever.

NOTE: It is possible to refrain from using the forward drive while mowing in areas with a narrow surface (lanes, borders, etc.).

NOTE: The area of cut (battery duration) depends on lawn conditions, grass density, moisture content, grass length and height of cut. Switching the machine on and off frequently during cutting will also reduce the area of cut (battery duration). To improve the area of cut (battery duration) it is recommended to cut more frequently, raise the cutting height and use land drive at normal walking pace.

This model is fitted with thermal protection device.

- Function: to prevent overheating and damage to the motor, caused by abnormal use.
- Triggering of the protection device: when the machine is overloaded, the power supply to the motor is shut down immediately.

Procedure to follow when the protection device is triggered:

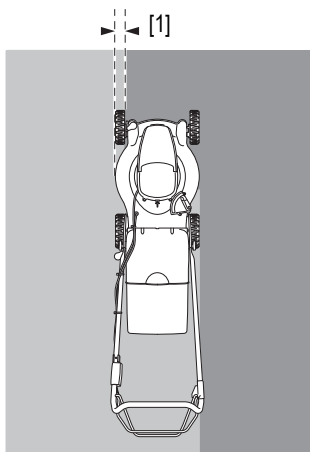
- Release the yellow button.
- Remove the battery pack.
- Check what caused the issue and eliminate it: cutting height too low (grass too high and/or dense), foreign object preventing the free rotation of the cutting-means etc.
- Allow the machine to cool down in a cool environment (for from 30 to 60 minutes).

Precautions before starting up the machine again:

- Remove the battery pack.
- Check that the cutting-means is able to move freely (using protective gloves).
- Check the safety conditions in the surrounding area (objects on the lawn, persons or animals in the vicinity).
- Install the battery pack.
- Enable the yellow button.
- Restart your machine and confirm the problem disappeared. If problem remains, contact your servicing dealer.

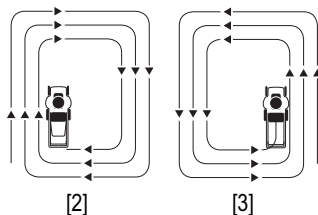
NOTE:

- Mowing frequency: once a week for a lawn intended for leisure purposes, twice a week for an ornamental lawn.
- If possible, mow the lawn in the afternoon or evening before sprinkling, as the grass must be dry. If dust levels are too high, mow the lawn when the grass is dry, but the ground is still damp.
- Choose a cutting height adapted to the terrain (see page 7).
- For a regular cut, you should overlap the part that has already been cut by a few centimetres [1], and increase this overlap zone if the cutting height is high.
- To achieve maximum efficiency, follow the suggested path.
- If your terrain does not have a regular shape or involves several obstacles, divide it into internal parcels which you can mow in the recommended direction.



[2] Catching: turn in a clockwise direction to achieve the maximum efficiency.

[3] Mulching (HRG466XB only): turn in an anti-clockwise direction.



EMPTYING THE GRASS CATCHER

When the grass catcher becomes full, grass collection is no longer efficient (the sound of the machine changes and the grass catcher is no longer puffed up by the air from the cutting-means).

HRG466XB:

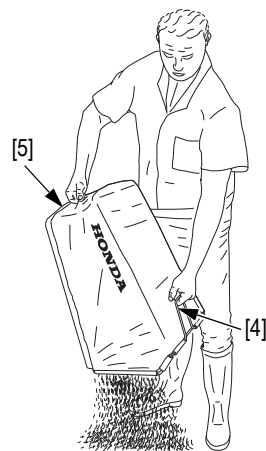
1. Release the cutting-means control lever and drive clutch lever.

HRG416XB:

1. Release the cutting-means control lever.

All models:

2. Remove the grass catcher (see page 5).
3. Empty the grass catcher:
 - Hold the grass catcher by the metal handle [4].
 - Grasp grass catcher [5] and shake the grass catcher to remove the grass.



CAUTION:

- To reduce the fire risk, never leave grass cuttings or leaves in the grass catcher, or in or near buildings. Decomposing grass cuttings causes a high temperature rise.

⚠ WARNING

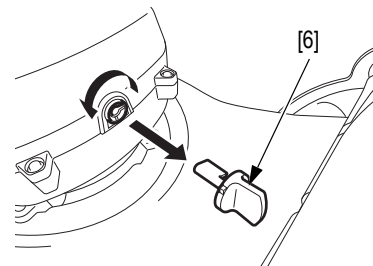
Before use, check that the grass catcher closing device is correctly positioned (discharge cover).

MAINTENANCE

Regular maintenance helps to extend the life of your machine.

⚠ WARNING

To carry out this series of service, place the machine on stable and level ground with the isolator key [6] and the battery pack removed from the machine.



NOTE: To assure a longer lifetime and more efficient operation, the underside of the machine must be kept clean and free of grass debris by cleaning with a brush and scraper. After use the machine must be cleaned thoroughly before being stored.

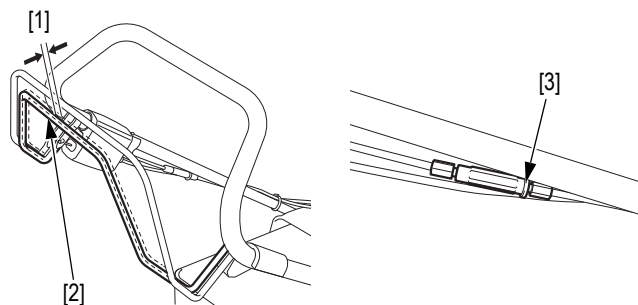
DRIVE CLUTCH CABLE INSPECTION (HRG466XB ONLY)

Measure the free play [1] on the tip of drive clutch lever [2] as shown.

Free play: within 1 to 5 mm

If the free play is not within the limit, adjust the cable.

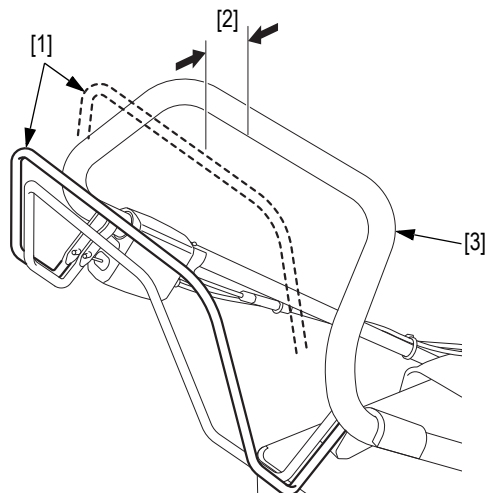
1. Loosen the locknut [3].
2. Loosen or tighten the cable as necessary so that a free play [1] of 1 to 5 mm is achieved.
3. Retighten the locknuts [3] and recheck the free play [1].
4. Start the motor. Push the drive clutch lever and release it. Check that the machine start and stop correctly.



NOTE: If the clutch does not engage correctly even when the cable is correctly adjusted, the system may need to be repaired. Take the machine to your servicing dealer.

CUTTING-MEANS CONTROL CABLE INSPECTION

The motor must be switched on or off when the cutting-means control lever [1] is positioned between the specified position [2]. Specified position: between 30 to 60 mm from the handle [3].



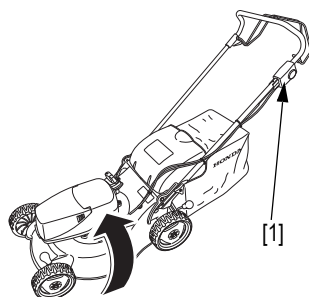
NOTE: If the motor is switched on or off outside of the specified position, the system may need to be repaired. Take the machine to your servicing dealer.

CUTTING-MEANS FITTING AND REMOVAL



CUTTING-MEANS REMOVAL

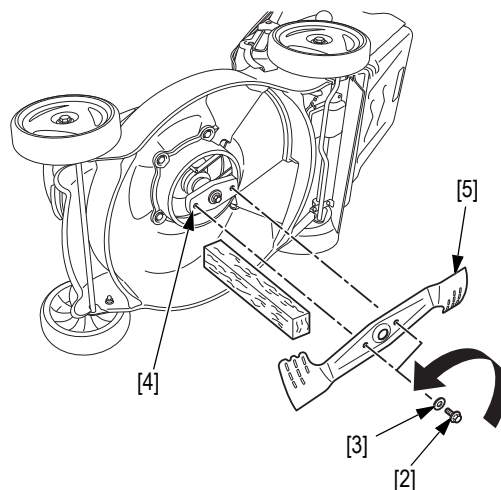
1. Ensure that isolator key and the battery pack are removed from the machine.
2. Tilt the machine so that the yellow button side faces upwards [1].



3. Use a 14 mm socket wrench and remove the 2 cutting-means bolts [2] and special washers [3] from the cutting-means holder [4].

Use a wooden block to prevent the cutting-means from turning when removing the bolts.

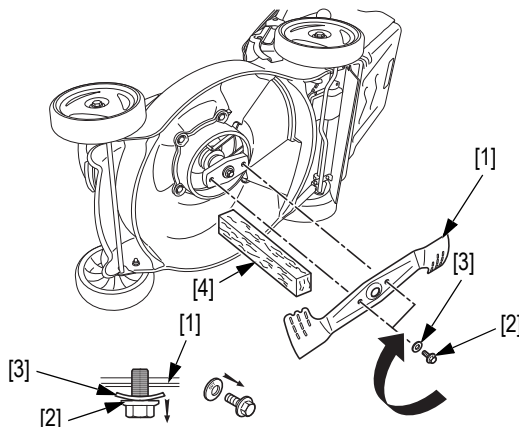
4. Remove the cutting-means [5].



CUTTING-MEANS INSTALLATION

1. Clean dirt and grass from around the cutting-means mounting area.
2. Install cutting-means [1] using the 2 cutting-means bolts [2] and special washers [3] as shown.

Cutting-means bolt torque: 54 N·m



Fit the special washers with their convex side, marked "OUT", facing the bolts.

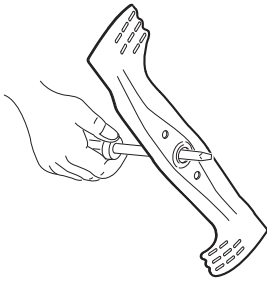
The cutting-means bolts are specially designed for this application and must not be replaced with other bolts.

3. Tighten the cutting-means bolts with a torque wrench. Use a wooden block [4] to prevent the cutting-means from turning.

CAUTION:

- If you do not have a torque wrench, ask your servicing dealer to tighten the cutting-means bolts for you before you use the machine.
- If the cutting-means bolts are too tight or too slack, they may break or unscrew.

CUTTING-MEANS REPLACEMENT



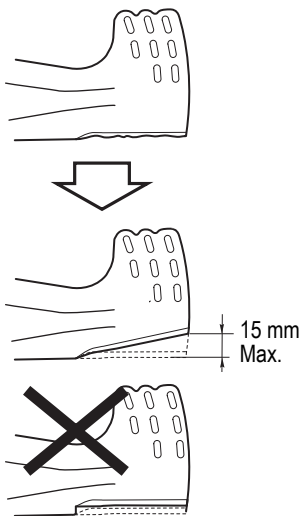
CAUTION:

- Cutting-means balance is critical to proper machine performance. Replace any cutting-means that is damaged or out of balance.
- Use only genuine Honda replacement cutting-means.

CUTTING-MEANS SHARPENING

CAUTION:

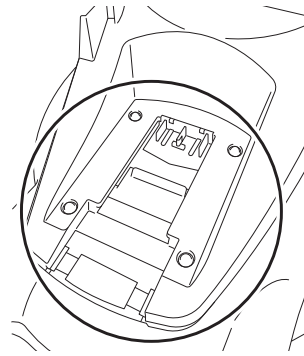
- To avoid weakening the cutting-means, causing it to become unbalanced or getting a bad quality of cut, the cutting-means should be sharpened by competent personnel at your servicing dealer.
1. Sharpen the cutting-means cutting edges with a file. File the top side only. Maintain the original bevel for a fine cutting edge. File both ends evenly to maintain cutting-means balance.
 2. After sharpening, test the cutting-means balance using a screwdriver as shown above. If either side dips slightly below the horizontal, file that side. Replace the cutting-means if it dips excessively.



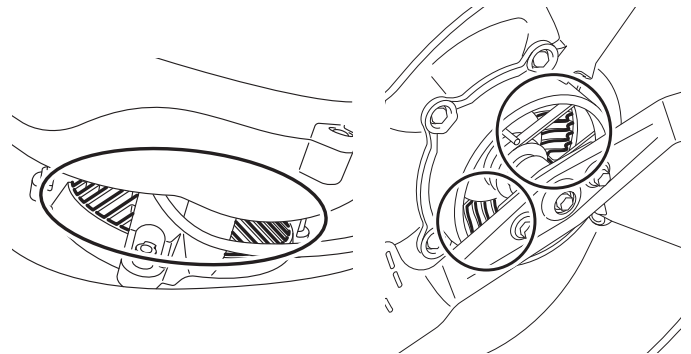
MOTOR COOLING FINS AND BATTERY LOCATION CLEANING

1. Clean dirt and grass from around the motor cooling fins and battery location area with a soft, dry brush as shown in the figure.

Battery location



Motor cooling fins



GRASS CATCHER CLEANING AND REPLACEMENT

GRASS CATCHER FABRIC CLEANING

CAUTION:

- Washing with a high pressure washer or steam jet will damage the grass catcher fabric.
- Blocked mesh will prevent the grass from entering the grass catcher fabric.
- To clean the grass catcher fabric, we recommend washing it using a water jet directed from the outside to the inside of the grass catcher fabric. The grass catcher fabric must be completely dry before being used again. If the grass catcher fabric is damp, it will become clogged very quickly.



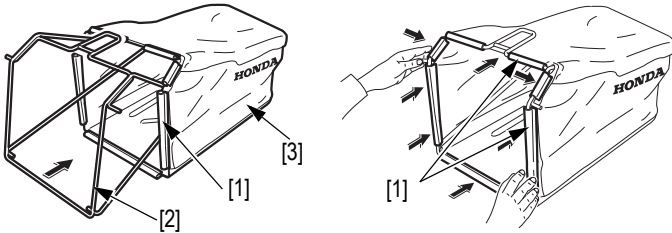
WARNING

Objects struck by the cutting-means may be thrown through a torn or damaged grass catcher. Objects thrown out by the cutting-means can cause serious injuries. Always replace a torn or damaged grass catcher.

GRASS CATCHER FABRIC REPLACEMENT

The grass catcher fabric tends to wear even in normal conditions of use. Regularly check that it is not frayed or torn. Replace a damaged grass catcher fabric with Honda Genuine parts.

1. Detach the plastic edges [1] of the worn grass catcher fabric [3] and remove the grass catcher's frame [2].
2. Insert the frame into the new grass catcher fabric and fit the plastic edges [1] to the frame.



CLEANING

Before transport or storage ensure machine is clean and free from debris, if necessary clean with a soft, dry brush or a rag.

To clean the grass catcher, use water from a hose. Do not use high pressure washer. Do not use detergent for cleaning the machine.

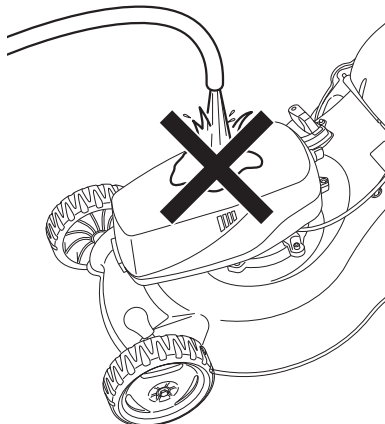
Keeping the underside of the machine clean will improve performance.

Keeping the battery pack attaching area clean.

Make sure that the system for attaching and connecting the battery pack is free of dirt and grass chipping.

Do not use forced water and avoid wetting the motor or the electrical components.

Do not use harsh products for cleaning the chassis.



MAINTENANCE SCHEDULE

REGULAR SERVICE PERIOD (3)		Each use	Every 100 hours of use or each year	Every 150 hours of use or 2 year	Refer to page
Perform at every indicated month or operating hour interval, whichever comes first.					
Cutting means bolts tightness	Check	•			12
Cutting means (Deformation / damage)	Check	•			7
Grass catcher	Check	•			5,11,14
Drive clutch cable (HRX466XB only)	Check	•			11
	Adjust		•(1)		-
Cutting-means control cable	Check	•			12
Drive belt	Check			•(1)(2)	-
Ratchet (HRX466XB only)	Grease		•(2)		-
Motor cooling fins	Clean	•			13
Battery location	Clean	•			13
Motor rotation condition	Check	•			7
Overall machine outside	Check	•			7

- (1) Replace as necessary.
- (2) These items should be serviced by your servicing dealer, unless you have the proper tools and are mechanically proficient. Refer to Honda shop manual for service procedures.
- (3) For commercial use, log hours of operation to determine proper maintenance intervals.

TROUBLESHOOTING

MACHINE FAILS TO OPERATE

Possible cause	Correction
Battery pack discharged.	Battery pack charging.
Isolator key not fully located.	Check isolator key is fully in the ON (I) position.
Battery pack not fully inserted.	Fully insert battery pack.
Battery pack too hot / cold.	Allow battery pack to warm up / cool down - Check battery LED display.
Faulty battery pack.	Replace battery pack with a new one.

MACHINE FUNCTIONS INTERMITTENTLY

Possible cause	Correction
Internal wiring of product damaged.	Contact your servicing dealer.
Motor / Electronics thermal protector has activated.	Allow motor / Electronics to cool and increase height of cut.
External cabling damaged.	Contact your servicing dealer.

MOTOR START AND THEN STOPS IMMEDIATELY

Possible cause	Correction
Battery pack not fully charged.	Check battery pack display - Charge battery pack if necessary.
Isolator key not fully located.	Check isolator key is fully in the ON (I) position.
Battery pack not fully inserted.	Fully insert battery pack.
Cutting-means wound with tough long grass.	Switch off isolator key and unblock the cutting-means.
Battery pack too hot / cold.	Allow battery pack to warm up / cool down - Check battery LED display.

AREA OF CUT (BATTERY DURATION) NOT LARGE ENOUGH

Possible cause	Correction
Height of cut too low.	Increase height of cut.
Grass too high.	Increase height of cut.
Grass is dense.	Increase height of cut or cut grass more frequently.
Used battery pack life cycle.	Replace battery pack with a new one.
Low battery level.	Ensure that battery pack is fully charged before use.

MOWING AND BAGGING PROBLEMS

Possible cause	Correction
Machine is moving too fast or grass is too high or too dense.	Move slower when possible or increase the cutting height.
Machine is moving too fast for lawn conditions.	Contact your servicing dealer. (Except pushing the machine.)
Grass catcher overfilled or clogged.	Empty the grass catcher. Wash the grass catcher if it is clogged with dirt (pages 11 and 14).
Machine deck is clogged.	Clean out the machine deck (page 12).
Cutting-means dull, worn, or damaged.	Sharpen or replace the cutting-means if necessary (page 13).
Wrong cutting-means installed.	Install correct cutting-means (page 12).

VIBRATIONS

Possible cause	Correction
Cutting-means loose, bent, damaged, or unbalanced by improper sharpening.	Tighten loose cutting-means bolts. If cutting-means is found to be bent or damaged, take the machine to your servicing dealer for inspection (page 13).
Mechanical damage, such as a bent motor shaft.	Maintenance of these points must be carried out by your servicing dealer.

STORAGE

PREPARATION FOR STORING THE MACHINE

Ensure that isolator key and the battery pack are removed from the machine before storing the machine.

Correct storage is essential for maintaining the life of the product. If possible, avoid storage areas with high humidity which could cause rust or corrosion.

End of season storage:

- Remove battery pack and store both machine and battery pack in a dry safe place away from direct sunlight.
- Do not place objects on top of the machine.
- When storing for extended periods, thoroughly clean the product beforehand.

NOTE: See annexed instructions for battery pack storage procedures.

TRANSPORT

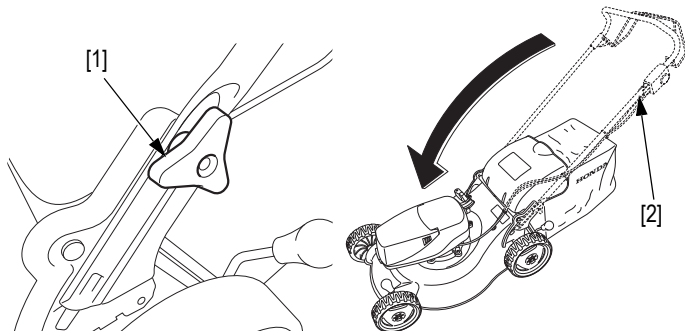
TRANSPORTING THE MACHINE

⚠ WARNING

Ensure that isolator key and the battery pack are removed from the machine before transporting the machine or folding handle.

To facilitate the operation:

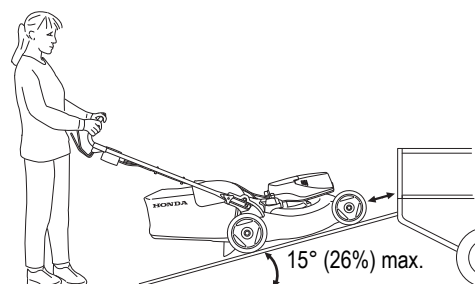
1. Remove the grass catcher (see page 5).
2. Turn the handle fixing knobs [1] and fold back the handle [2].



NOTE:

While folding the handle, check that the cables are not kinked, twisted, stretched or pinched.

LOADING THE MACHINE



CAUTION:

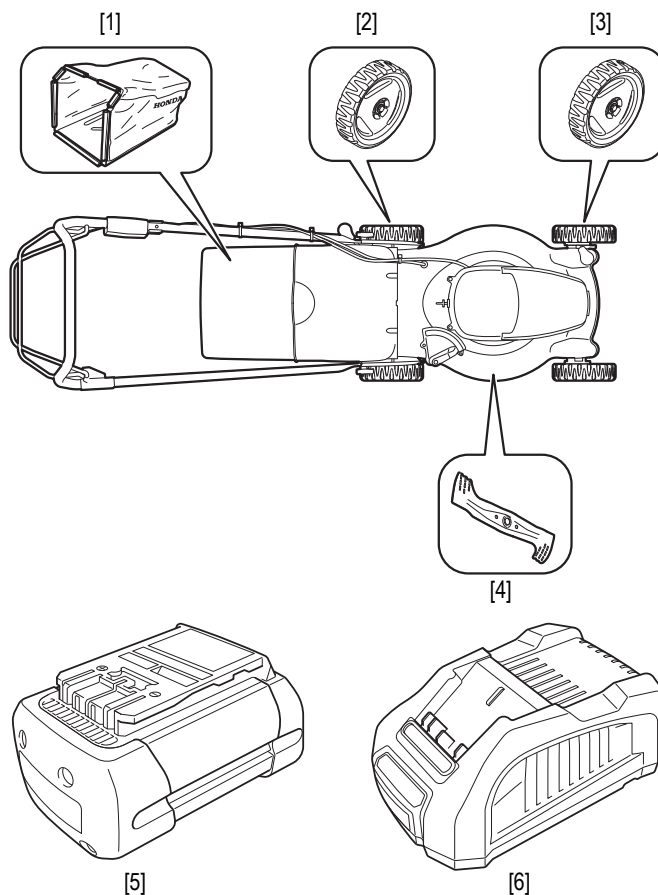
- To prevent losing control of or damaging the machine, do not use the drive system when going up or down a loading ramp.
- To prevent damaging the drive system, do not engage the clutch when the machine is rolling backwards.
- Transport the machine in normal horizontal position with its 4 wheels flat on the vehicle platform.
- We recommend that you use a loading ramp or that you get someone to help you load and unload the machine.
- Adjust the loading ramp so that it is inclined at an angle of less than 15° (26%).
- When transporting the machine, immobilise it using straps and place chocks under the wheels.
- The straps must not touch the following parts of the machine: drive clutch lever, cutting-means control lever, and all the control cables.

USEFUL INFORMATION

FIND AN AUTHORIZED DEALER

Please refer to the European Internet site:

<http://world.honda.com/>



CURRENT PARTS, OPTIONAL ATTACHMENT AND CONSUMABLES

To buy one of the original parts listed below, or any other part, please contact your servicing dealer.

	HRG416XB	HRG466XB		
Current parts				
[1]	Grass catcher	81320-VH3-R11	81320-VH4-R11	Grass catcher only (without frame)
[2]	Rear wheel	42710-VH3-R10	42710-VH3-R20	
[3]	Front wheel	44710-VH3-R10		
[4]	Standard cutting-means	72511-VH3-R90	72511-VH4-R90	Requires use of a dynamometric key
[5]	Battery pack	DP3640XA (Standard 4A) DP3660XA (Standard 6A) DPW3660XA (All weather 6A) DPW3690XA (All weather 9A)		
[6]	Charger	CV3680XA		

⚠ WARNING

For your safety, it is strictly prohibited to install any other attachment than the ones listed above and especially designed for your machines' model and type.

TECHNICAL SPECIFICATIONS

MODEL	HRG416XB		HRG466XB	
TYPES	PEEA	PEUA	SEEA	SEUA
GENERAL CHARACTERISTICS				
Description code	MCEF		MCDF	
Function	Cutting of grass			
Dimensions L x W x h	mm	1 415 x 453 x 980		1 470 x 497 x 980
Weight (*)	kg	23		27
Track FR/RR	mm	369 / 395		419 / 439
Cutting width	cm	41		46
Cutting heights settings	mm	6 positions (20 to 74 mm)		
Rear/Front wheel diameter	mm	178 / 212		
Grass catcher capacity	ℓ	42		50
Sound pressure level at operator's ears (in accordance with EN60335-2-77:2010)	dB(A)	79	-	80.2
Measuring uncertainty	dB(A)	1.00	-	1.00
Measured sound power level (in accordance with directives 2000/14/EC, 2005/88/EC)	dB(A)	88.76	-	90.63
Measuring uncertainty	dB(A)	0.65	-	1.41
Sound power level guaranteed (in accordance with directives 2000/14/EC, 2005/88/EC)	dB(A)	89	-	92
Vibration test (in accordance with EN60335-2-77:2010)**)	m/s ²	1.07	-	1.33
Measuring uncertainty	m/s ²	0.56	-	0.51
MOTOR				
Type	3-PHASE DC BRUSHLESS			
Max out put power	W	1 000		1 800
Rotation number at no load (with cutting-means)	min ⁻¹	2 900 ± 40		2 800 ± 40
TRANSMISSION				
Type	-		1 Speed fix type	
Engine to drive	-		V-belt	
Number of speeds	-		Single speed	
Forward speed	m/s	-		0.89
Lubrication	-		Oil bath and splash	
Recommended oil	-		10W40	
Oil capacity	cc	-		65

(*) Without battery.

(**) Values for a machine equipped with a grass catcher, in a grass collector position.

AVANT-PROPOS

Vous venez de faire l'acquisition d'une tondeuse à gazon sur batterie Honda et nous vous remercions de votre confiance.

Ce manuel a été établi pour vous familiariser avec votre machine, vous permettre de l'utiliser dans les meilleures conditions possibles et d'effectuer son entretien.

Soucieux de vous faire profiter au maximum des évolutions technologiques, des nouveaux équipements ou matériaux et de notre expérience, nous améliorons régulièrement nos modèles. Pour cette raison, les caractéristiques et les informations contenues dans ce manuel peuvent être modifiées sans préavis et sans obligation de mise à jour.

Les illustrations de ce manuel représentent le modèle le plus adapté au sujet abordé.

Les autres illustrations, communes à tous les modèles, représentent le modèle HRG466XB.

En cas de problème ou pour toute question relative à la machine, contactez votre concessionnaire.

Conservez ce manuel à portée de main pour le consulter à tout moment. En cas de revente de la machine, veillez à ce que le manuel soit fourni avec la machine.

Nous vous recommandons de lire la politique de confidentialité afin de bien comprendre vos droits et vos responsabilités. La politique de garantie est un document distinct fourni par votre concessionnaire.

Toute reproduction intégrale ou partielle de la présente publication est interdite sans autorisation écrite préalable.

INSTRUCTIONS DE SECURITE

Pour votre sécurité et votre confort d'utilisation, la lecture complète de ce manuel est fortement recommandée.

Faire attention aux symboles suivants et à leur signification :

AVERTISSEMENT

Signale un risque élevé de blessures corporelles graves voire mortelles en cas de non-observation des instructions.

ATTENTION :


- Signale une possibilité de blessures corporelles graves ou de détérioration de l'équipement si les instructions ne sont pas suivies.

NOTE : Source d'informations utiles.

IDENTIFICATION DE LA MACHINE

	CATÉGORIE	SÉRIE	TYPE	OPTION
Exemple	HRG	416XB	PE	EA
Description	HRG= Tondeuse		P= Type à pousser	EA= Destination Europe
			S= Type autopropulsée	UA= Destination Australie

Le modèle de la tondeuse sur batterie est indiqué sur son « étiquette d'identification » (voir page 4) par une série de lettres.

 _____
Inscrire ici le numéro de série de la machine

Inscrire ici le modèle de la machine

Honda France Manufacturing S.A.S. - Pôle 45 - Rue des Châtaigniers
45140 ORMES - FRANCE - Tous droits réservés

3RVAA601
00X3R-VAA-6010

HRG416XB
HRG466XB

2020
Imprimé en France

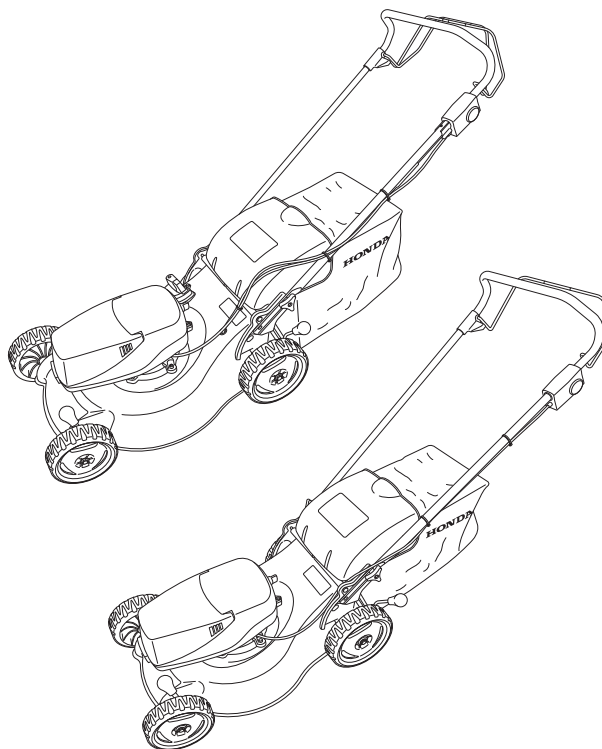
HONDA

MANUEL DE L'UTILISATEUR

NOTICE ORIGINALE

Tondeuse sur batterie

HRG416XB • HRG466XB



FRANCAIS

CE

Le bloc-batterie et le chargeur spécialement conçus pour ces machines sont nécessaires à leur fonctionnement. Ils sont vendus séparément.

SOMMAIRE

Avant-propos.....	1
Instructions de sécurité.....	2
Autocollants de sécurité.....	4
Identification de la machine.....	4
Description générale.....	4
Préparation et contrôles avant utilisation.....	5
Sélection du mode de coupe (HRG466XB uniquement).....	8
Tonte.....	9
Conseils et astuces d'utilisation.....	9
Entretien.....	11
Dépannage.....	15
Remisage.....	15
Transport.....	16
Informations utiles.....	16
Spécifications techniques.....	17
Adresses des principaux concessionnaires Honda.....	18
"CE-Déclaration de conformité" DESCRIPTION DE TABLE DES MATIERES.....	19

INSTRUCTIONS DE SECURITE

A RESPECTER IMPERATIVEMENT

Lire attentivement avant d'utiliser la machine.



Signale un risque élevé de blessures corporelles graves voire mortelles en cas de non-observation des instructions.

ATTENTION :

- Signale une possibilité de blessures corporelles graves ou de détérioration de l'équipement si les instructions ne sont pas suivies.

NOTE : Source d'informations utiles.

A) FORMATION

- 1) Lire attentivement les instructions. Se familiariser avec les commandes et l'utilisation correcte de la machine. Apprendre à arrêter rapidement le moteur.
- 2) Ne jamais laisser d'enfants ou de personnes non familiarisées avec les présentes instructions utiliser la machine. Les règlements locaux peuvent restreindre l'âge de l'opérateur.
- 3) Ne jamais utiliser la machine dans les cas suivants :
 - lorsque des personnes, notamment des enfants, ou des animaux se trouvent à proximité ;
 - si l'utilisateur a pris des médicaments ou des substances qui peuvent altérer sa capacité à réagir et à être attentif.
- 4) Ne pas oublier que l'opérateur ou l'utilisateur est responsable des accidents ou risques subis par d'autres personnes ou leur propriété.
- 5) Ne jamais essayer de modifier la machine. Cela pourrait entraîner un accident et endommager la machine. Une modification de la machine annule l'homologation de type UE de cette machine.

B) PREPARATIFS

- 1) Pendant la tonte, toujours porter des chaussures solides et un pantalon long. Ne pas utiliser la machine les pieds nus ou avec des chaussures ouvertes. Eviter de porter des vêtements amples ou comportant des cordons ou des lacets. Afin de réduire les effets des vibrations, porter des gants antivibrations. Afin de réduire les effets du bruit, porter une protection auditive.
- 2) Bien inspecter la zone de travail et enlever tous les objets susceptibles d'être projetés par la machine ou d'endommager l'unité de coupe ou le moteur (pierres, branches, fil de fer, os, etc.).
- 3) Avant utilisation, toujours effectuer un contrôle général et s'assurer en particulier que l'organe de coupe, les vis et l'unité de coupe ne sont ni usés ni endommagés. En cas d'usure ou d'endommagement, remplacer ensemble l'organe de coupe et les vis afin de préserver l'équilibre. Remplacer les autocollants endommagés ou illisibles.
- 4) Avant utilisation, vérifier que le bloc-batterie ne présente pas de signes d'endommagement ou d'usure. Ne pas utiliser la machine si le bloc-batterie est endommagé ou usé.
Vérifier l'absence de court-circuit aux bornes de la batterie.
- 5) Ne pas utiliser la machine sans le capot d'éjection ou le bac de ramassage.

C) FONCTIONNEMENT

- 1) Ne tondre que le jour ou avec une bonne lumière artificielle.
- 2) Eviter de tondre de l'herbe humide ou lorsqu'il pleut.
- 3) S'assurer de rester bien stable sur ses pieds dans les pentes.
- 4) Ne jamais courir, toujours marcher, ne pas laisser la machine vous tirer.
- 5) Toujours tondre de manière transversale dans les pentes, jamais de haut en bas.
- 6) Faire extrêmement attention lors du changement de direction dans les pentes.
- 7) Ne jamais tondre sur des pentes trop abruptes. Ne pas tondre sur des pentes de plus de 20° (36 %).

- 8) Faire très attention en cas de tirage de la machine vers soi.
- 9) Immobiliser l'organe de coupe si la machine doit être inclinée pour son transport lors du passage sur des surfaces autres que de l'herbe et lors du transport de la machine vers et depuis la zone à tondre.
- 10) Ne jamais utiliser la machine si des protections sont endommagées ou si le bac de ramassage ou le pare-pierres est manquant.
- 11) Mettre avec précaution le moteur en marche conformément aux instructions ; garder les pieds éloignés de l'organe de coupe.
- 12) Ne pas incliner la machine au démarrage du moteur, sauf si cela est nécessaire pour le démarrage. Le cas échéant, ne pas l'incliner plus que nécessaire et lever uniquement la pièce éloignée de l'utilisateur. Toujours vérifier que les deux mains sont en position de travail avant d'abaisser de nouveau la machine.
- 13) Ne pas démarrer la machine en se tenant devant l'ouverture d'éjection.
- 14) Ne jamais placer les mains et les pieds près des pièces en rotation ni en dessous. Se tenir éloigné de l'ouverture d'éjection.
- 15) Ne pas transporter la machine lorsque la source d'alimentation est sous tension.
- 16) Retirer la clé du coupe-batterie et le bloc-batterie ou placer la clé du coupe-batterie en position arrêt (O) :
 - si la machine doit être laissée sans surveillance ;
 - avant l'élimination d'obstructions ou le débouchage de la goulotte ;
 - avant un contrôle, un nettoyage ou une intervention sur la machine ;
 - après un choc contre un corps étranger. Inspecter la machine pour vérifier qu'elle n'est pas endommagée et effectuer les réparations avant toute utilisation de la machine.Si la machine vibre de manière anormale, la vérifier immédiatement.
 - inspecter la machine pour vérifier qu'elle n'est pas endommagée ;
 - remplacer ou réparer toute pièce endommagée ;
 - vérifier le serrage des pièces et les serrer si nécessaire.
- 17) Arrêter le moteur :
 - dès que le bac de ramassage est déposé ou remis en place ;
 - lors du réglage de la hauteur de coupe.
- 18) Ne pas fixer la clé de coupe-batterie à la machine au moyen d'une sangle.
- 19) Lors de la tonte, toujours maintenir une distance de sécurité par rapport à l'organe de coupe en rotation, qui correspond à la longueur du guidon.
- 20) **AVERTISSEMENT** - Si une pièce casse ou si un accident se produit pendant la tonte, couper immédiatement le moteur et éloigner la machine pour empêcher d'autres dommages ; si un accident se produit et entraîne des blessures pour l'utilisateur ou un tiers, prendre immédiatement les mesures de premiers secours adaptées à la situation et contacter un médecin si des soins médicaux sont nécessaires. Eliminer avec précaution tous débris qui pourraient entraîner des dommages matériels ou blesser des personnes ou des animaux que l'opérateur pourrait ne pas voir.
- 21) Les niveaux sonores et vibratoires indiqués dans le présent manuel sont les valeurs maximales pour l'utilisation de la machine. L'utilisation d'un organe de coupe déséquilibré, une vitesse excessive de mouvement et un entretien insuffisant affectent fortement les émissions sonores et les vibrations. Il est par conséquent nécessaire de mettre en œuvre des mesures préventives et d'éliminer tous les risques de dommages résultant des niveaux sonores élevés et les contraintes dues aux vibrations ; s'assurer que l'entretien de la machine est correctement réalisé, porter un casque antibruit. Prendre des pauses pendant le travail.

D) ENTRETIEN ET STOCKAGE

- 1) Maintenir tous les écrous et vis serrés pour garantir un fonctionnement en toute sécurité de la machine. Un entretien périodique est indispensable pour garantir la sécurité et un niveau de performances élevé.
- 2) Vérifier fréquemment l'état du bac de ramassage et du pare-pierres (absence d'usure et de détérioration).
- 3) Être attentif pendant le réglage de la machine afin d'empêcher le coincement des doigts entre l'organe de coupe en rotation et les pièces fixes de la machine.
- 4) Toujours laisser la machine refroidir avant de la remiser.
- 5) Lors des réparations de l'organe de coupe, ne pas oublier, même si les sources d'alimentation sont coupées, que l'organe de coupe peut toujours être en mouvement.
- 6) Pour des questions de sécurité, ne jamais utiliser la machine si elle présente des pièces usées ou endommagées. Les pièces doivent être remplacées, pas réparées. Utiliser des pièces de rechange d'origine. Les pièces d'une qualité différente peuvent endommager le matériel et menacer la sécurité de l'utilisateur.
- 7) Afin de réduire les risques d'incendie, maintenir la machine et, en particulier, le moteur, exempts d'herbe, des feuilles ou d'un excès de graisse. Ne jamais laisser des récipients avec des déchets de tonte à l'intérieur d'une zone de remisage.
- 8) Pour nettoyer le bac de ramassage, utiliser un jet d'eau. Ne pas utiliser un nettoyeur haute pression.
- 9) Un remisage correct est indispensable pour garantir la durée de vie utile du produit. Si possible, éviter les zones de remisage présentant une humidité élevée qui pourrait entraîner la formation de rouille ou de corrosion.
- 10) Fin du remisage saisonnier : Déposer le bloc-batterie et remiser à la fois la machine et le bloc-batterie dans un endroit sec et sûr, hors du rayonnement direct du soleil. Ne pas placer d'objets sur le dessus de la machine.
- 11) Avant un remisage pour une longue période, nettoyer minutieusement le produit.

E) PRECAUTIONS GENERALES

- 1) Toute réparation doit être effectuée chez le concessionnaire. Désactiver la clé du coupe-batterie et la retirer de la machine si cette dernière se met à vibrer de manière anormale, puis contacter le concessionnaire pour inspection.
- 2) Tenir le guidon à deux mains au démarrage.
- 3) Les pièces soumises à l'usure ne doivent être remplacées que chez un concessionnaire.
- 4) Ne jamais utiliser la machine si le bloc-batterie est endommagé ou usé.
- 5) Ne pas toucher l'organe de coupe tant que la clé du coupe-batterie n'a pas été retirée de la machine et que l'organe de coupe n'est pas complètement immobile.
- 6) Avant le transport ou le remisage, vérifier que la machine est propre et exempte de débris et, si nécessaire, la nettoyer à l'aide d'une brosse douce et sèche.
- 7) Ne pas utiliser une circulation d'eau forcée et éviter de mouiller le moteur ou les composants électriques. Ne pas utiliser de produits agressifs pour le nettoyage du châssis.
- 8) Le maintien de la propreté du dessous de la machine améliore les performances. Toujours maintenir propre la zone de fixation du bloc-batterie.
- 9) Ranger la clé de coupe-batterie dans un endroit sûr et la tenir hors de portée des enfants.

F) AVERTISSEMENTS SUPPLEMENTAIRES

- 1) **AVERTISSEMENT** - DANGER ! L'humidité et l'électricité ne sont pas compatibles :
 - toujours manipuler et raccorder le bloc-batterie dans des conditions sèches ;
 - ne jamais laisser le bloc-batterie en contact avec des zones mouillées (flaques ou herbe mouillée).
- 2) Porter des gants de travail pour le démontage et le remontage de l'organe de coupe.
- 3) Maintenir l'équilibre de l'organe de coupe pendant l'affûtage. Toute opération sur l'organe de coupe (démontage, affûtage, équilibrage, remontage et/ou remplacement) est difficile et demande des compétences et des outils spécifiques. Pour des questions de sécurité, il est préférable de faire réaliser ces opérations par son concessionnaire.
- 4) Recommandations pour une manipulation optimale du bloc-batterie et du chargeur.
AVERTISSEMENT - Ne pas essayer de charger des batteries non rechargeables à l'aide du chargeur.
 - Pour votre sécurité, vérifier que la clé du coupe-batterie et les commandes de l'opérateur sont en position arrêt avant d'insérer le bloc-batterie. L'insertion du bloc-batterie dans une machine dont l'interrupteur est en position marche peut être dangereuse.
 - insérer le bloc-batterie jusqu'à encliquetage du mécanisme de verrouillage. Pour retirer le bloc-batterie, actionner le levier d'ouverture du capot de la batterie.
- 5) Les batteries rechargeables doivent être retirées de la machine avant d'être chargées.

G) TRANSPORT ET MANIPULATION

- 1) Dès que la machine doit être manipulée, soulevée, transportée ou inclinée, il est nécessaire de :
 - porter des gants de travail solides ;
 - saisir la machine aux endroits qui offrent une bonne prise, en tenant compte du poids et de sa répartition ;
 - faire appel au nombre de personnes nécessaire en fonction du poids de la machine et des caractéristiques du véhicule ou de l'endroit où elle doit être placée ou récupérée.
- 2) Pour le transport de la machine, bien l'attacher au moyen de câbles ou de chaînes.
- 3) Vérifier que la clé du coupe-batterie et le bloc-batterie ont été déposés de la machine avant de transporter cette dernière ou de rabattre le guidon.

AUTOCOLLANTS DE SECURITE

Votre machine doit être utilisée avec prudence. Des pictogrammes sur la machine rappellent à l'opérateur les principales précautions à prendre lors de l'utilisation. Leur signification est expliquée ci-dessous. Ces autocollants sont considérés partie intégrante de la machine. Si l'un de ces autocollants se détache ou devient illisible, contacter son concessionnaire pour le faire remplacer.

Il est également recommandé de lire attentivement les consignes de sécurité (voir page 2).

Destination Europe (PEEA, SEEA)	Destination Australie (PEUA, SEUA)
	<p>⚠ DANGER</p> <p>SHARP BLADE You will be seriously cut by the rotating blade. Keep hands and feet away when motor is running.</p> <p>⚠ WARNING</p> <p>AVOID SERIOUS INJURY OR DEATH. <ul style="list-style-type: none"> Follow all instructions in Owner's Manual. Keep safety devices (guards, shields, switches, etc.) in place and working. Avoid steep slopes. Look down and behind before and while moving backwards. Do not operate unless properly trained. To reduce the risk of electric shocks, do not expose to water or operate on wet ground. Remove the battery pack before servicing or removing blade. OBJECTS THROWN BY BLADE CAN CAUSE SERIOUS INJURY. <ul style="list-style-type: none"> Inspect area and remove debris before mowing. Do not mow when children or others are around. Wear eye protection. DO NOT OPERATE UNLESS GUARD IS CLOSED OR BAG IS IN PLACE.</p>

- [1] **AVERTISSEMENT** : Lire le manuel de l'utilisateur avant d'utiliser la machine.
- [2] Risque de projection : Garder les tierces personnes hors de la zone pendant l'utilisation.
- [3] Risque de coupure. Organe de coupe rotatif : Ne pas introduire les mains ni les pieds dans le carter de coupe. Placer la clé du coupe-batterie en position arrêté (O) et retirer cette clé et le bloc-batterie avant le réglage et le nettoyage et avant de laisser la machine sans surveillance pendant une quelconque période. L'organe de coupe continue à tourner une fois que le moteur est arrêté.
- [4] Ne pas utiliser la machine sans le capot d'éjection ou le bac de ramassage.

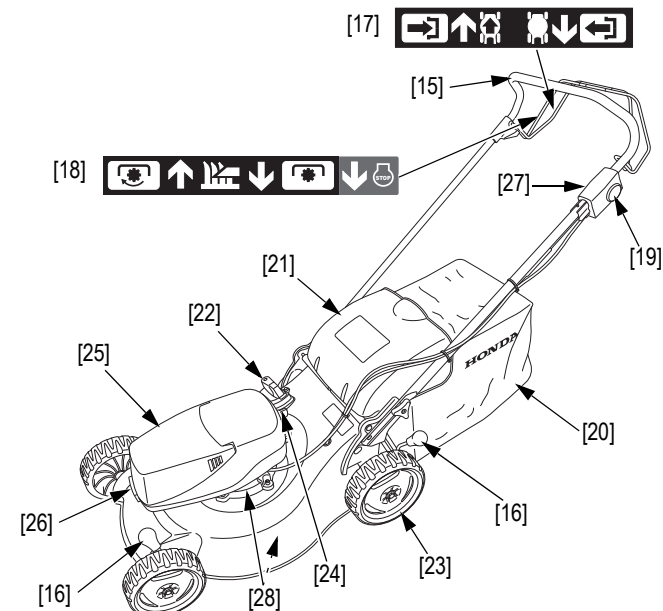
IDENTIFICATION DE LA MACHINE

Destination Europe (PEEA, SEEA)
<p>Honda France Manufacturing S.A.S. [13] Rue des Châtaigniers - Pôle 45 45140 Ormes - France [12]</p> <p>CE [6] IP54 [14]</p> <p>L_{WA} [5] dB [7] min⁻¹ [8] [9]</p>

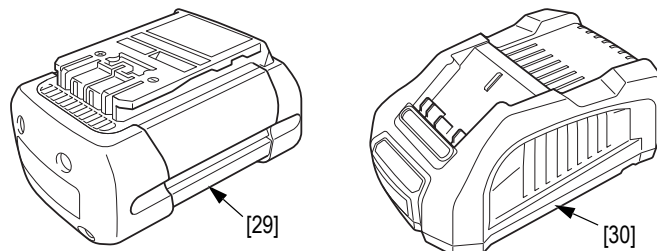
Destination Australie (PEUA, SEUA)
<p>Honda Australia Motorcycle and Power Equipment Pty Ltd. [11]</p> <p>L_{WA} [5] [12] [10]</p> <p>Assembled in FRANCE</p>

- [5] Niveau de puissance acoustique
- [6] Marquage CE
- [7] Tension nominale
- [8] Régime moteur recommandé en min⁻¹(tr/min)
- [9] Masse en kilogrammes
- [10] Année de fabrication
- [11] Numéro de série
- [12] Modèle - Type
- [13] Nom et adresse du fabricant
- [14] Code IP (résistance à la pénétration de poussière et d'humidité (garantie uniquement si la batterie est installée))

DESCRIPTION GENERALE



Bloc-batterie et chargeur
*Le bloc-batterie et le chargeur spécialement conçus pour ces machines sont nécessaires pour pouvoir utiliser la machine. Ils sont vendus séparément.



IDENTIFICATION DE L'EQUIPEMENT

COMMANDES	FONCTIONS
[15] Guidon	
[16] Levier de réglage de hauteur de coupe . . .	Sélectionne la hauteur de coupe souhaitée
[17] Levier d'embrayage de marche (HRG466XB uniquement)	Commande la transmission qui entraîne les roues arrière.
[18] Levier de commande de l'organe de coupe	Arrête et démarre la rotation de l'organe de coupe
[19] Bouton jaune	Commande le moteur au moyen d'un commutateur double effet pour empêcher un démarrage accidentel.
[20] Bac de ramassage	Ramasse l'herbe coupée
[21] Capot d'éjection	Protège contre les projections
[22] Contrôle des déchets d'herbe (HRG466XB uniquement)	Commutation paillage/éjection arrière
[23] Roues arrière	
[24] Clé de coupe-batterie	
[25] Capot de batterie	
[26] Levier d'ouverture du capot de batterie	
[27] Indicateur du niveau de charge	
[28] Ailettes de refroidissement du moteur	
[29] Bloc-batterie	
[30] Chargeur	

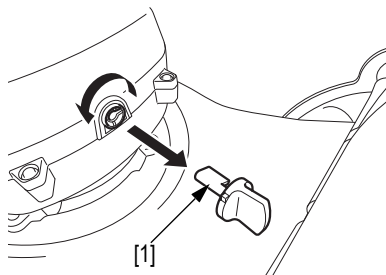


Ne pas jeter les équipements électriques avec les déchets ménagers. Si des appareils électriques sont mis au rebut dans des décharges ou sur des sites d'enfouissement, des substances peuvent fuir, réagir et entrer dans la chaîne alimentaire, et être préjudiciables pour la santé et le bien-être. Pour plus d'informations sur la mise au rebut du produit, contacter le concessionnaire ou le service de ramassage des ordures le plus proche.

PREPARATION ET CONTROLES AVANT UTILISATION

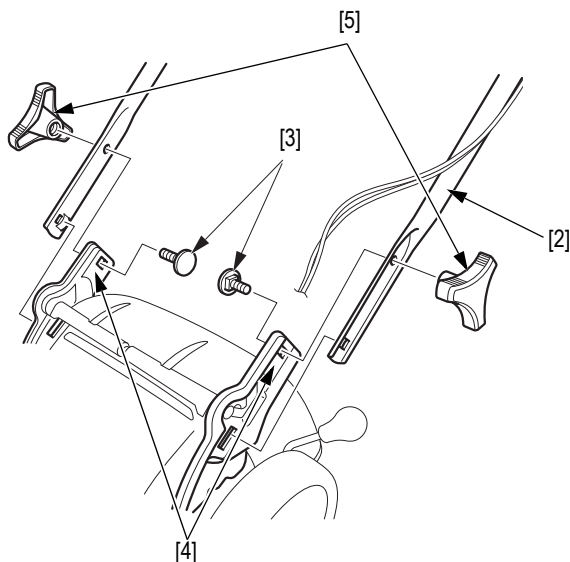
⚠ AVERTISSEMENT

Pour exécuter cette série de contrôles, placer la machine sur un sol stable et plat en ayant pris soin de retirer la clé du coupe-batterie [1] et le bloc-batterie de la machine.



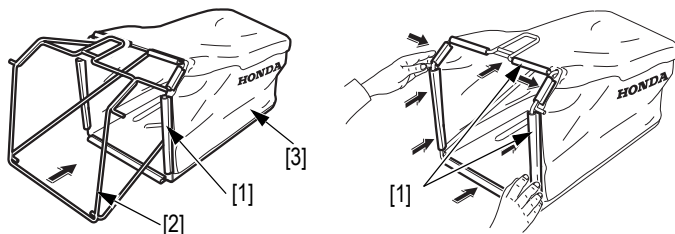
MONTAGE DU GUIDON

1. Vérifier que le bac de ramassage d'herbe n'est pas monté.
2. Fixer le guidon [2] sur le châssis du plateau de coupe de sorte que le(s) câble(s) se trouve(nt) du côté gauche.
3. Poser les deux boulons [3] sur les points de fixation du guidon [4] depuis l'intérieur du guidon. Les fixer au moyen des deux boutons de fixation du guidon [5]. Vérifier que les boutons sont bien serrés.



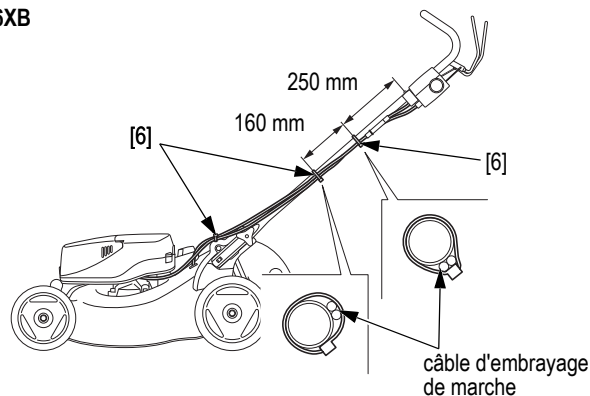
MONTAGE DU BAC DE RAMASSAGE

Insérer l'armature [2] dans le tissu du bac de ramassage [3], puis fixer les bords en plastique [1] sur l'armature.

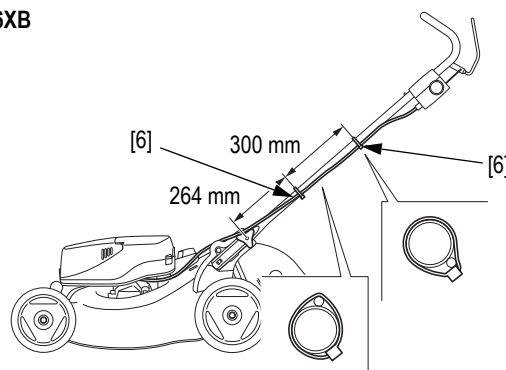


4. Vérifier que le(s) câble(s) passe(nt) par-dessus le bouton de fixation gauche du guidon et qu'il(s) est/sont fixé(s) sur le côté gauche du guidon au moyen d'attaches [6] comme illustré.

HRG466XB



HRG416XB



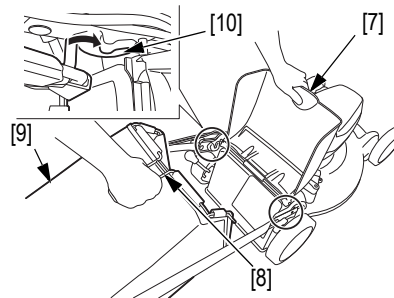
CONTROLE DU BAC DE RAMASSAGE

⚠ AVERTISSEMENT

Avant utilisation, s'assurer que le dispositif de fermeture du bac de ramassage est correctement verrouillé (capot d'éjection). Même dans des conditions normales d'utilisation, le bac de ramassage a tendance à s'user. Vérifier régulièrement qu'il n'est pas ni effiloché, ni déchiré. Un bac de ramassage usé doit être remplacé. Remplacer un bac de ramassage endommagé par une pièce Honda d'origine.

Retrait du bac de ramassage :

1. Soulever le capot d'éjection [7], saisir la poignée [8] et retirer le bac de ramassage [9] tout en le maintenant à la verticale.



Installation du bac de ramassage :

1. Soulever le capot d'éjection et accrocher l'avant du bac de ramassage sur les ergots de fixation [10] de la machine.

NOTE :

- La machine fonctionne comme un aspirateur ; elle souffle de l'air dans le bac de ramassage en aspirant l'herbe coupée. Pour faciliter le vidage du bac de ramassage et minimiser les chutes d'herbe coupée, vider le bac de ramassage avant qu'il ne soit plein. Les performances de ramassage diminuent une fois le bac de ramassage rempli à environ 90 %.
- HRG466XB uniquement : Le paillage est une technique de fertilisation naturelle. Au lieu d'être collectée dans le bac de ramassage, l'herbe est broyée finement et déposée sur la pelouse. Les brins d'herbe ainsi broyés se décomposent au soleil et forment un humus naturel qui peut couvrir un quart des besoins annuels de fertilisation de la pelouse.
- Outre son action fertilisante, le paillage protège le sol, limite l'évaporation d'eau pendant les périodes chaudes et élimine la nécessité de collecte de l'herbe coupée.

PREPARATION DU BLOC-BATTERIE

Un bloc-batterie chargé doit être monté sur la machine pour alimenter la machine. Se reporter à la page 6 pour plus d'informations sur la manipulation du bloc-batterie.

MONTAGE ET DEPOSE DU BLOC-BATTERIE

AVERTISSEMENT

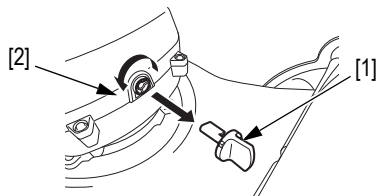
Ne pas manipuler avec les mains mouillées ni par temps de pluie.

ATTENTION :

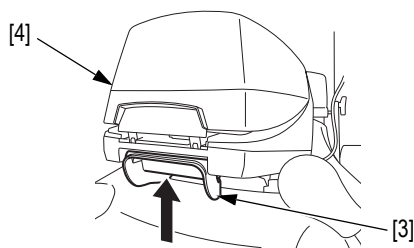
- Lors de la fermeture du capot de la batterie, veiller à éviter de se faire pincer les doigts par le capot.
- Pour chaque action, veiller à éviter toute blessure.
- Toujours utiliser un bloc-batterie Honda.

Montage :

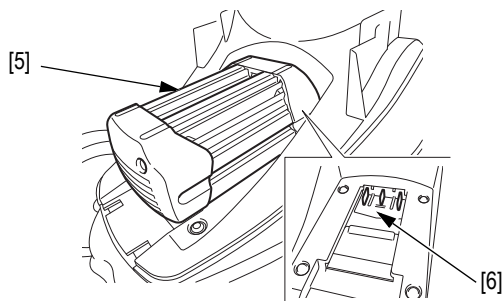
1. Tourner la clé du coupe-batterie [1] en position arrêt (O) [2] et retirer la clé du moteur.



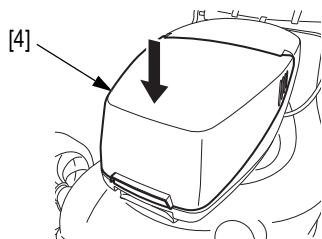
2. Pousser le levier d'ouverture du capot de batterie [3] pour ouvrir le capot de batterie [4].



3. Vérifier que la zone de fixation du bloc-batterie est propre. Monter le bloc-batterie [5] sur la borne [6]. **Pousser le bloc-batterie jusqu'à encliquetage.**



4. Bien fermer le capot de batterie.



NOTE :

A chaque ouverture du couvercle, avant de le refermer, toujours vérifier que la batterie est bien branchée.

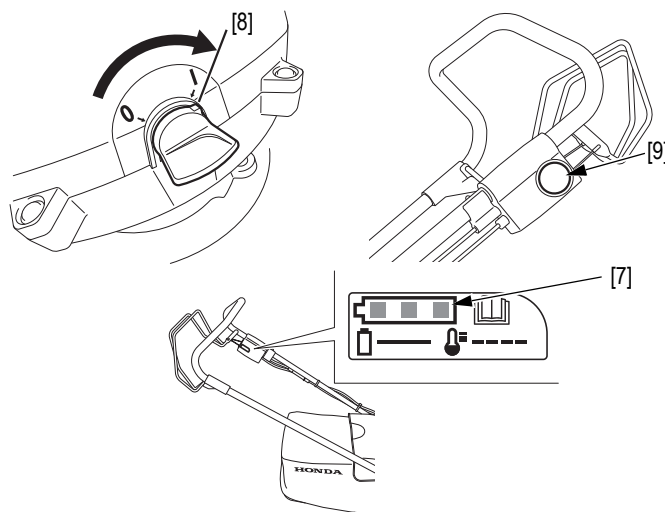
Dépose :

1. Tourner la clé du coupe-batterie en position arrêt (O) et retirer la clé du moteur.
2. Pousser le levier d'ouverture du capot de batterie pour ouvrir le capot de batterie. A l'ouverture du capot, **le bloc-batterie se détache simultanément de la borne.**
3. Déposer le bloc-batterie.
4. Bien fermer le capot de batterie.

CONTROLE DU NIVEAU DE CHARGE DE LA BATTERIE

Le niveau de charge de la batterie est indiqué par l'indicateur du niveau de charge [7] sur le côté gauche du guidon.

1. Monter le bloc-batterie sur la machine.
2. Insérer la clé de coupe-batterie dans le moteur et tourner la clé en position marche (I) [8].
3. Appuyer sur le bouton jaune [9], l'indicateur du niveau de charge s'allume alors.

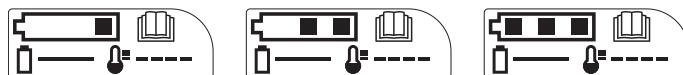


4. La charge restante de la batterie est indiquée par trois niveaux.

Comportement des DEL de l'indicateur du niveau de charge de la batterie

- Les DEL indiquent l'état du bloc-batterie et de la machine.
- Une fois que la batterie est installée et la clé de coupe-batterie en position marche, les LED s'allument après une pression sur le bouton jaune ou l'engagement du levier de commande de l'organe de coupe.
- Les LED s'allument pendant environ 48 secondes.
- Lorsque la machine est en fonction, les LED ne s'allument pas.

Les DEL indiquent l'état de la machine ou du niveau de charge de la batterie comme suit.



LED 1 allumée

0 % < état de charge ≤ 30 %

LED 2 allumée

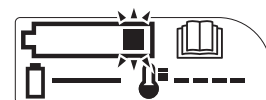
30 % < état de charge ≤ 60 %

LED 3 allumée

60 % < état de charge ≤ 100 %

DEL 1 clignotante

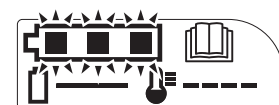
Etat de charge 0 % = Vide



DEL 3 clignotante

Arrêt du moteur en raison d'une surchauffe du moteur ou du bloc-batterie.

Tourner la clé de coupe-batterie en position arrêt (O) et laisser la machine refroidir pendant 30 à 60 minutes.



Charger le bloc-batterie si le niveau de charge de la batterie est faible. Voir les instructions supplémentaires pour le bloc-batterie et le chargeur.

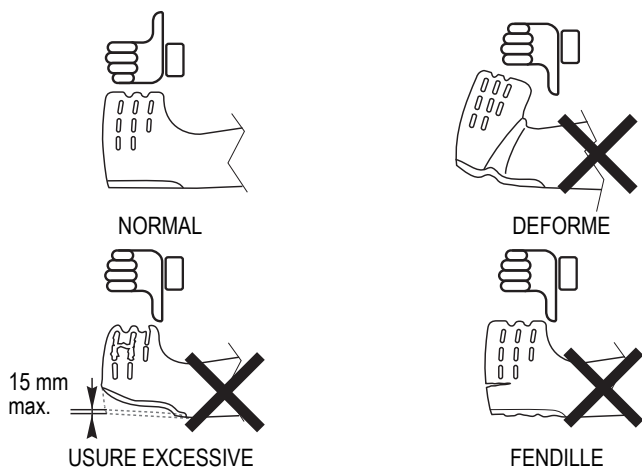
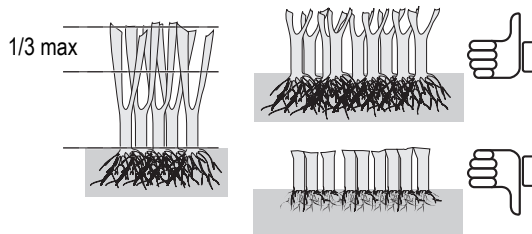
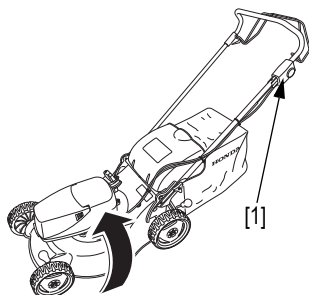
CHARGE DU BLOC-BATTERIE

Voir les instructions supplémentaires pour le bloc-batterie et le chargeur.

VERIFICATION DE L'ETAT DE L'ORGANE DE COUPE

Pour vérifier l'état de l'organe de coupe :

1. Vérifier que la clé du coupe-batterie et le bloc-batterie ont été déposés de la machine.
 2. Pencher la machine vers la droite de façon à orienter le côté présentant le bouton jaune [1] vers le haut.
- Vérifier si des signes d'usure sont présents au niveau de l'organe de coupe. Il est nécessaire de remplacer l'organe de coupe lorsque les évidements se rejoignent, lorsqu'une fissure apparaît, ou lorsqu'il se plie.



- Vérifier le serrage des boulons de l'organe de coupe (voir le chapitre "Entretien" page 11).
- Pour le remplacement ou la dépose de l'organe de coupe, se reporter à la procédure décrite dans le chapitre "Entretien" page 11.

AVERTISSEMENT

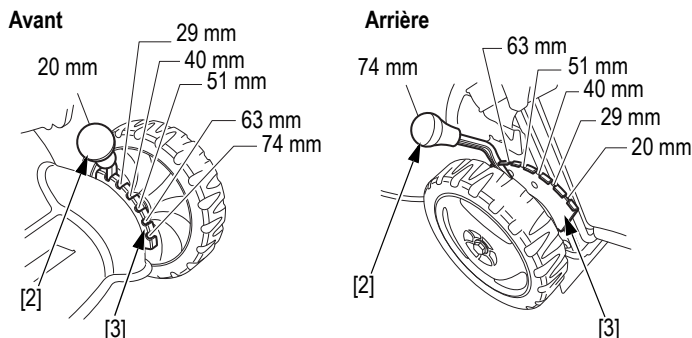
Ne jamais faire fonctionner la machine avec un organe de coupe usé, endommagé, fendu ou bosselé. Un morceau d'organe de coupe projeté après rupture peut être à l'origine de graves blessures corporelles.

NOTE : L'usure de l'organe de coupe est accrue lorsque la machine est utilisée sur des sols sableux. Inspecter plus souvent l'organe de coupe lorsque la machine est utilisée dans de telles conditions.

REGLAGE DE LA HAUTEUR DE COUPE

Pour modifier la hauteur de coupe :

1. Retirer la clé du coupe-batterie et le bloc-batterie ou placer la clé du coupe-batterie en position arrêt (O).
2. Tirer le levier de réglage [2] vers la roue et le placer dans la rainure de réglage [3]. Le levier de réglage et les rainures de réglage sont proches de la roue avant gauche et de la roue arrière gauche.



Les réglages de hauteur de coupe correspondent à des valeurs approximatives ; la hauteur réelle de l'herbe varie en fonction de l'état de la pelouse et du sol. Pour choisir la hauteur de coupe, vérifier l'aspect de la pelouse après avoir tondu une petite surface et, si nécessaire, régler la hauteur de coupe.

NOTE :

- Ne pas couper plus de 1/3 de la hauteur initiale de l'herbe en un passage, au risque de provoquer l'apparition de zones brunes. La coupe sera plus nette et le risque de bourrages de l'organe de coupe et de la goulotte sera réduit.
- Si la pelouse est trop haute, tondre à la hauteur maximale permise pour la machine. Tondre à nouveau la pelouse 2 ou 3 jours plus tard.
- La profondeur des racines est proportionnelle à la hauteur des brins d'herbe : plus la coupe est courte, moins les racines sont profondes.
- Choisir une hauteur de coupe adaptée à l'utilisation de la pelouse : loisirs, sport : 5 cm ou plus, ornement : 1 à 3 cm.
- Seules certaines sortes de gazon peuvent résister aux coupes courtes. Une pelouse coupée trop courte est fragile et sensible à la sécheresse. Demander conseil à un spécialiste.

CONTROLE DU SERRAGE DES BOULONS DE L'ORGANE DE COUPE

Voir "MONTAGE ET DEPOSE DE L'ORGANE DE COUPE" (page 12).

CONTROLE DU CABLE D'EMBRAYAGE DE MARCHE (HRG466XB UNIQUEMENT)

Voir "INSPECTION DU CABLE D'EMBRAYAGE DE MARCHE (HRG466XB uniquement)" (page 11).

CONTROLE DU CABLE DE COMMANDE DE L'ORGANE DE COUPE

Voir "INSPECTION DU CABLE DE COMMANDE DE L'ORGANE DE COUPE" (page 12).

CONTROLE DES AILETTES DE REFROIDISSEMENT DU MOTEUR ET DE L'EMPLACEMENT DE LA BATTERIE

Voir "NETTOYAGE DES AILETTES DE REFROIDISSEMENT DU MOTEUR ET DE L'EMPLACEMENT DE LA BATTERIE" (page 13).

CONTROLE DE LA ROTATION DU MOTEUR

Vérifier l'absence de dysfonctionnement, de bruits anormaux ou de vibrations anormales lors de la rotation et de l'arrêt du moteur.

En cas de dysfonctionnement, de bruits anormaux ou de vibrations anormales au niveau du moteur, arrêter immédiatement de l'utiliser, et contacter son concessionnaire.

CONTROLE DE LA ZONE AUTOUR DE LA MACHINE

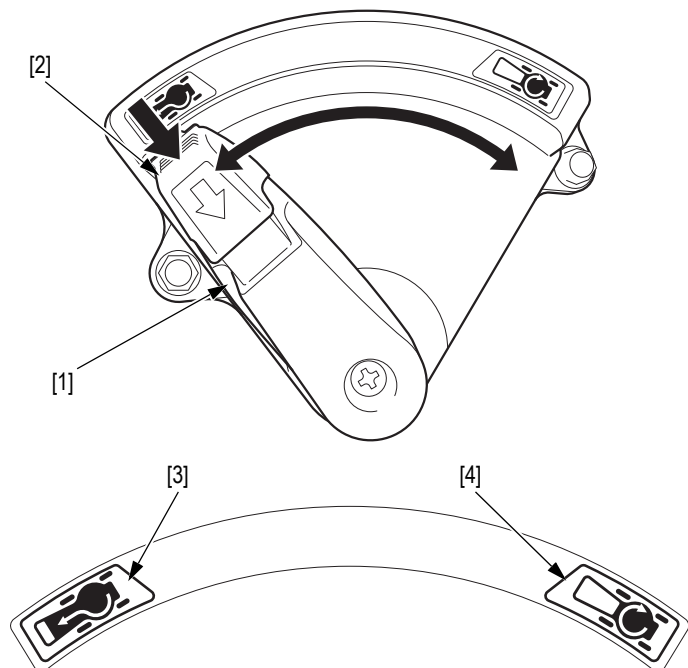
Rechercher et nettoyer les débris, l'herbe ou tout autre corps étranger autour de la machine.

SELECTION DU MODE DE COUPE (HRG466XB UNIQUEMENT)

COMMUTATION DU SYSTEME DE CONTROLE DES DECHETS D'HERBE

Le mode de coupe peut être commuté en actionnant le système de contrôle des déchets d'herbe [1].

1. Relâcher le levier de commande de l'organe de coupe et le levier d'embrayage de marche.
2. Appuyer sur le bouton de déverrouillage [2] et tourner le levier de contrôle des déchets d'herbe pour sélectionner le mode de coupe.



- **Position de ramassage d'herbe/d'éjection arrière [3]** : toute l'herbe coupée est éjectée à l'arrière de la machine ; aucun paillage n'est réalisé avec l'herbe coupée. Si le bac de ramassage est monté, l'herbe éjectée est récupérée dans le bac de ramassage. Si le bac de ramassage n'est pas monté, l'herbe est éjectée vers le sol. Se reporter à la [page 5](#) pour plus d'informations sur la pose ou la dépose du bac de ramassage.
- **Position de paillage [4]** : l'herbe n'est pas éjectée à l'arrière de la machine, mais coupée finement et déposée sur la pelouse. Les brins d'herbe ainsi broyés se décomposent et forment un compost naturel qui peut couvrir un quart des besoins annuels de fertilisation de la pelouse.

NOTE :

- Le paillage est une technique de fertilisation naturelle. Au lieu d'être collectée dans le bac de ramassage, l'herbe est coupée finement et déposée sur la pelouse.
- Outre son action fertilisante, le paillage protège la tonte, limite l'évaporation d'eau pendant les périodes chaudes et élimine la nécessité de collecte de l'herbe coupée.

EJECTION ARRIERE

Si la collecte de l'herbe coupée n'est pas souhaitée, la machine peut être utilisée sans bac de ramassage en position de paillage [3]. Le cas échéant, l'herbe éjectée est guidée vers le sol par le capot d'éjection.



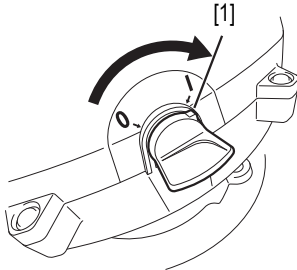
TONTE

Les modèles HRG416XB et HRG466XB fonctionnent sur batterie. Lorsque le levier de commande de l'organe de coupe est engagé tout en appuyant sur le bouton jaune, le moteur et l'organe de coupe se mettent immédiatement à tourner.

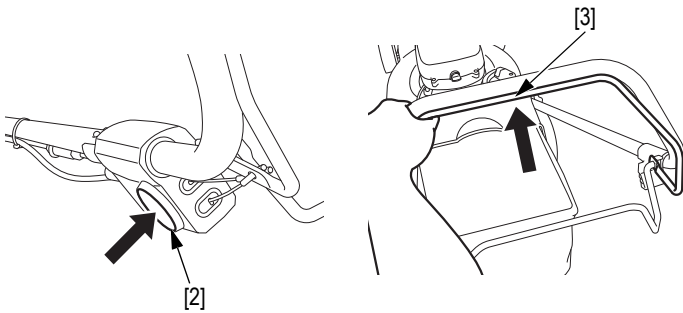
ROTATION DE L'ORGANE DE COUPE

Vérifier que le bloc-batterie chargé est monté sur la machine (page 6).

1. Insérer la clé de coupe-batterie dans le moteur et tourner la clé en position marche (I) [1].



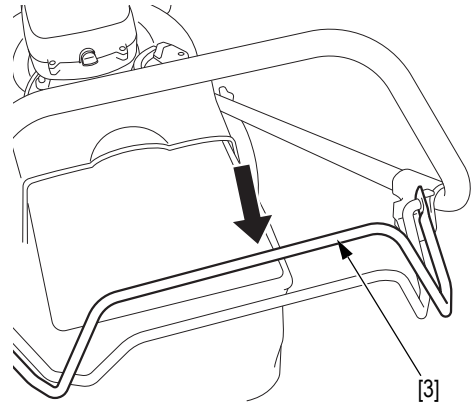
2. Tout en appuyant sur le bouton jaune [2], pousser le levier de commande de l'organe de coupe [3]. L'organe de coupe se met à tourner.



3. Relâcher le bouton jaune. Tenir le levier de commande de l'organe de coupe pour maintenir la rotation de l'organe de coupe.

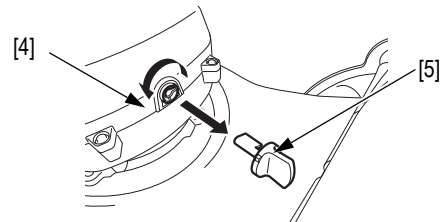
ARRÊT DE LA ROTATION DE L'ORGANE DE COUPE

1. Relâcher le levier de commande de l'organe de coupe [3]. L'organe de coupe arrête de tourner.



Lorsque la machine est laissée sans surveillance ou que l'opération n'est pas poursuivie, etc., procéder comme suit :

2. Tourner la clé du coupe-batterie en position arrêt (O) [4] et retirer la clé [5] du moteur.



Déposer le bloc-batterie si nécessaire (page 6).

CONSEILS ET ASTUCES D'UTILISATION

⚠ AVERTISSEMENT

Faire particulièrement attention en cas de tonte sur un sol irrégulier ou accidenté.

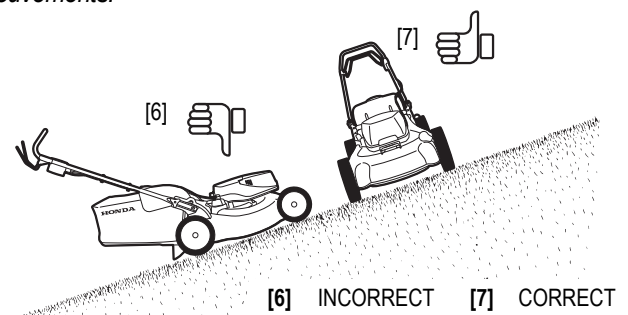
La machine risque de se renverser, auquel cas des objets jusqu'alors dissimulés pourraient être projetés par l'organe de coupe.

Bien garder les 4 roues au sol.

Contrôler la direction de la machine à l'aide du guidon, non pas en appuyant avec le pied sur le carter de coupe.

ATTENTION :

- Lorsqu'un obstacle doit être contourné pendant la tonte, s'assurer de ne pas le heurter avec l'organe de coupe. Ne jamais pousser la machine directement par-dessus un objet.
- Lors de la tonte d'une surface accidentée, ne pas se laisser entraîner par la machine. Maintenir fermement le guidon et contrôler ses mouvements.



PROCEDURE DE TONTE

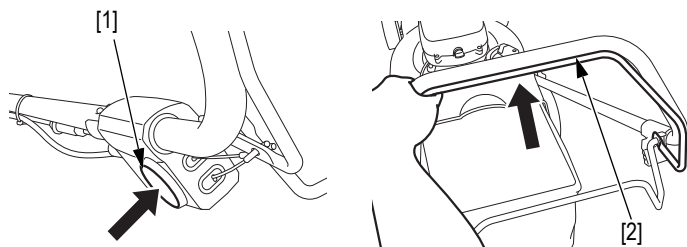
Lire les instructions de sécurité avant de commencer la tonte.

Utilisation du système d'autopropulsion (HRG466XB uniquement) :

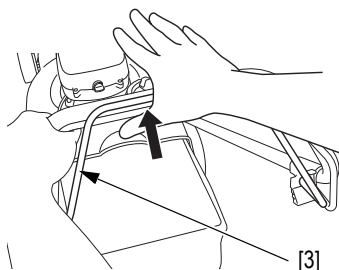
AVERTISSEMENT

Toujours relâcher le levier d'embrayage de marche lors de l'enclenchement du levier de commande de l'organe de coupe. Si l'embrayage de marche est enclenché, la machine se déplace lorsque le moteur est démarré.

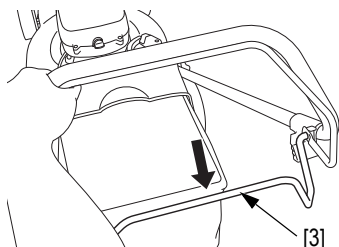
1. Démarrer le moteur et enclencher l'organe de coupe.
 - Tout en appuyant sur le bouton jaune [1], pousser le levier de commande de l'organe de coupe [2]. L'organe de coupe se met à tourner.



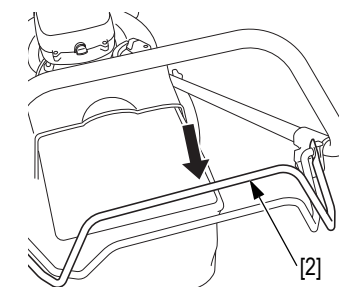
2. Pousser complètement le levier d'embrayage de marche.



3. Pour arrêter l'avancement de la machine.
 - Relâcher le levier d'embrayage de marche.



4. Pour arrêter la rotation de l'organe de coupe.
 - Relâcher le levier de commande de l'organe de coupe.

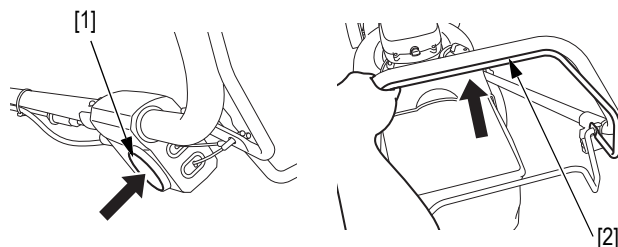


Pousser le guidon à la main pour faire avancer la machine (tous types) :

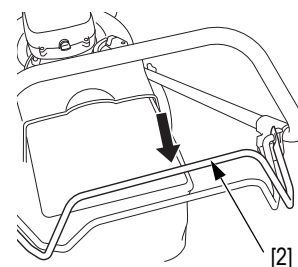
AVERTISSEMENT

Toujours relâcher le levier d'embrayage de marche lors de l'enclenchement du levier de commande de l'organe de coupe. Si l'embrayage de marche est enclenché, la machine se déplace lorsque le moteur est démarré.

1. Démarrer le moteur et enclencher l'organe de coupe.
 - Tout en appuyant sur le bouton jaune [1], pousser le levier de commande de l'organe de coupe [2]. L'organe de coupe se met à tourner.



2. Pousser le guidon à la main pour tondre la pelouse.



3. Pour arrêter la rotation de l'organe de coupe.
 - Relâcher le levier de commande de l'organe de coupe.

NOTE : Il est possible de ne pas utiliser l'avancement lors de la tonte dans des zones étroites (allées, bordures, etc.).

NOTE : La zone de tonte (durée de la batterie) dépend des conditions du terrain, de la densité de l'herbe, de la teneur en humidité, de la hauteur de l'herbe et de la hauteur de coupe. Le démarrage et l'arrêt fréquents de la machine pendant la tonte réduisent également la zone de tonte (durée de la batterie). Afin d'améliorer la zone de tonte (durée de la batterie), il est recommandé de tondre plus souvent, d'augmenter la hauteur de coupe et d'avancer à un rythme de marche normal.

Ce modèle est équipé d'un dispositif de protection thermique.

- Fonction : empêcher la surchauffe et l'endommagement du moteur, entraînés par une utilisation anormale.
- Déclenchement du dispositif de protection : en cas de surcharge de la machine, l'alimentation électrique du moteur s'arrête immédiatement.

Procédure à suivre lorsque le dispositif de protection est déclenché :

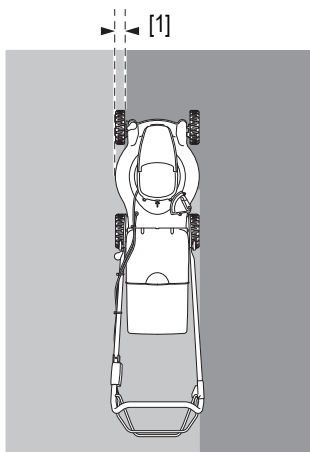
- Relâcher le bouton jaune.
- Déposer le bloc-batterie.
- Rechercher l'origine du problème et l'éliminer : hauteur de coupe trop basse (herbe trop haute et/ou dense), corps étranger empêchant la rotation libre de l'organe de coupe, etc.
- Laisser la machine refroidir dans un environnement froid (entre 30 et 60 minutes).

Précautions à prendre avant le redémarrage de la machine :

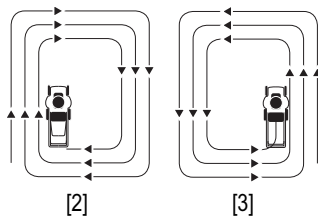
- Déposer le bloc-batterie.
- Vérifier que l'organe de coupe peut bouger librement (à l'aide de gants de protection).
- Vérifier les conditions de sécurité dans l'environnement immédiat (objets sur la pelouse, personnes ou animaux à proximité).
- Reposer le bloc-batterie.
- Appuyer sur le bouton jaune.
- Redémarrer la machine et vérifier que le problème a disparu. Si le problème persiste, contacter le concessionnaire.

NOTE :

- Fréquence de tonte : une fois par semaine pour une pelouse de loisirs, deux fois par semaine pour une pelouse d'ornement.
- Si possible, tondre la pelouse dans l'après-midi ou le soir avant l'arrosage, car l'herbe doit être sèche. Si les niveaux de poussière sont très élevés, tondre la pelouse lorsque l'herbe est sèche mais le sol toujours humide.
- Choisir une hauteur de coupe adaptée au terrain (voir page 7).
- Pour une coupe régulière, chevaucher la zone déjà tondue de quelques centimètres [1] et augmenter cette zone de chevauchement lorsque la hauteur à couper est importante.
- Pour une efficacité optimale, respecter la trajectoire proposée.
- Si le terrain n'a pas une forme régulière ou présente de nombreux obstacles, le diviser en parcelles internes dans lesquelles il est possible de tondre dans le sens recommandé.



- [2] Avec ramassage : pour une efficacité optimale, tourner dans le sens des aiguilles d'une montre.
- [3] Avec paillage (HRG466XB uniquement) : tourner dans le sens contraire des aiguilles d'une montre.



VIDAGE DU BAC DE RAMASSAGE

Lorsque le bac de ramassage approche de la saturation, le ramassage de l'herbe n'est plus efficace (le bruit de la machine change et le bac de ramassage n'est plus gonflé par l'air soufflé par l'organe de coupe).

HRG466XB :

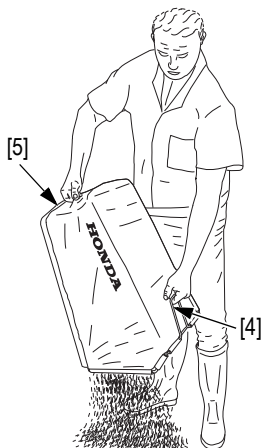
1. Relâcher le levier de commande de l'organe de coupe et le levier d'embrayage de marche.

HRG416XB :

1. Relâcher le levier de commande de l'organe de coupe.

Tous les modèles :

2. Retirer le bac de ramassage (voir page 5).
3. Vider le bac de ramassage :
 - Tenir le bac de ramassage à l'aide de la poignée métallique [4].
 - Saisir le bac de ramassage [5] et le secouer pour éliminer l'herbe.



ATTENTION :

- Pour réduire tout risque d'incendie, ne jamais laisser d'herbe coupée ou des feuilles dans le bac de ramassage, ni à l'intérieur ou à proximité de bâtiments. La décomposition des brins d'herbe provoque une importante augmentation de température.

AVERTISSEMENT

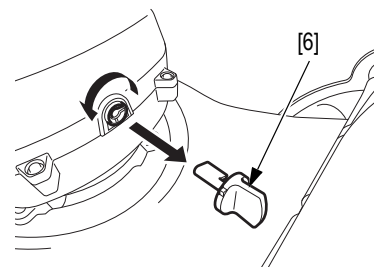
Avant utilisation, vérifier que le dispositif de fermeture du bac de ramassage est correctement positionné (capot d'éjection).

ENTRETIEN

Un entretien régulier contribue à prolonger la durée de vie de la machine.

AVERTISSEMENT

Pour exécuter cette série de contrôles, placer la machine sur un sol stable et plat en ayant pris soin de retirer la clé du coupe-batterie [6] et le bloc-batterie de la machine.



NOTE : Pour assurer une durée de vie supérieure et un fonctionnement plus efficace, le dessous de la machine doit être maintenu propre et exempt de fragments d'herbe via un nettoyage à l'aide d'une brosse et d'un grattoir. Après utilisation, la machine doit être nettoyée avec soin avant d'être remise.

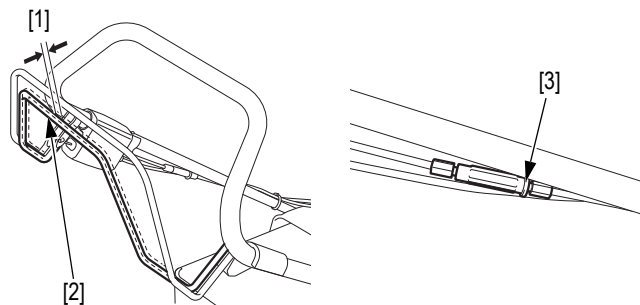
INSPECTION DU CÂBLE D'EMBRAYAGE DE MARCHE (HRG466XB UNIQUEMENT)

Mesurer le jeu [1] à l'extrémité du levier d'embrayage de marche [2], comme illustré.

Jeu : de 1 à 5 mm

Si le jeu n'est pas compris dans cette plage, régler le câble.

1. Desserrer le contre-écrou [3].
2. Détendre ou tendre le câble en fonction du besoin, de façon à obtenir un jeu [1] de 1 à 5 mm.
3. Resserrer les contre-écrous [3] et revérifier le jeu [1].
4. Démarrer le moteur. Pousser le levier d'embrayage de marche et le relâcher. Vérifier que la machine démarre et s'arrête correctement.

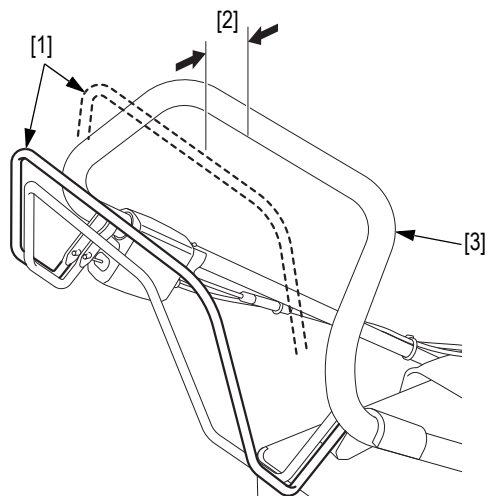


NOTE : Si l'embrayage ne s'enclenche pas correctement même lorsque le câble est correctement réglé, il est possible que le système ait besoin d'une réparation. Confier la machine à son concessionnaire.

INSPECTION DU CABLE DE COMMANDE DE L'ORGANE DE COUPE

Le moteur doit être en marche ou arrêté lorsque le levier de commande de l'organe de coupe [1] est positionné dans les limites de la position indiquée [2].

Position indiquée : entre 30 et 60 mm du guidon [3].



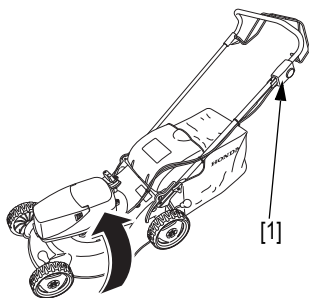
NOTE : Si le moteur est en marche ou arrêté en dehors des limites de la position indiquée, le système devra peut-être être réparé. Confier la machine à son concessionnaire.

MONTAGE ET DEPOSE DE L'ORGANE DE COUPE



DEPOSE DE L'ORGANE DE COUPE

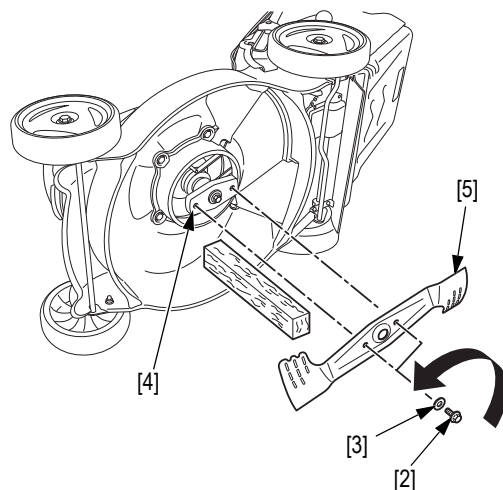
1. Vérifier que la clé du coupe-batterie et le bloc-batterie ont été déposés de la machine.
2. Pencher la machine de manière à orienter le côté présentant le bouton jaune vers le haut [1].



3. A l'aide d'une clé à douille de 14 mm, retirer les 2 boulons de l'organe de coupe [2] et les rondelles spéciales [3] du support de l'organe de coupe [4].

Utiliser une cale en bois pour éviter la rotation de l'organe de coupe lors du retrait des boulons.

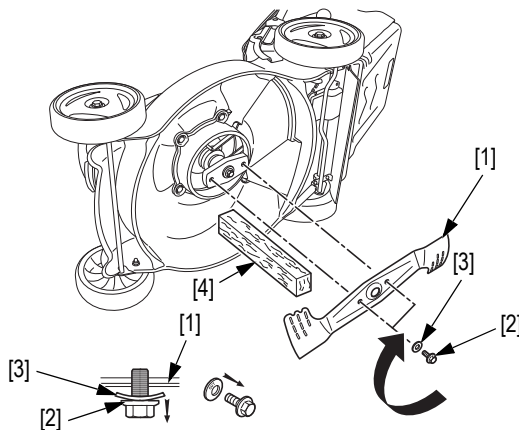
4. Déposer l'organe de coupe [5].



INSTALLATION DE L'ORGANE DE COUPE

1. Eliminer les saletés et l'herbe présentes dans la zone de montage de l'organe de coupe.
2. Installer l'organe de coupe [1] en utilisant les 2 boulons d'organe de coupe [2] et les rondelles spéciales [3], comme illustré.

Couple des boulons de l'organe de coupe : 54 N·m



Installer les rondelles spéciales en orientant leur face convexe portant le marquage "OUT" vers les boulons.

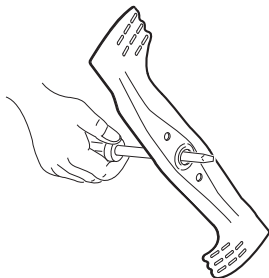
Les deux boulons sont spécialement conçus pour ces organe de coupe et ne doivent pas être remplacés par d'autres boulons.

3. Serrer les boulons de l'organe de coupe à l'aide d'une clé dynamométrique. Utiliser une cale en bois [4] pour éviter la rotation de l'organe de coupe.

ATTENTION :

- Si aucune clé dynamométrique n'est disponible, demander à son concessionnaire de serrer les boulons de l'organe de coupe avant d'utiliser la machine.
- Si les boulons de l'organe de coupe sont trop ou insuffisamment serrés, ils risquent de se casser ou de se dévisser.

REPLACEMENT DE L'ORGANE DE COUPE



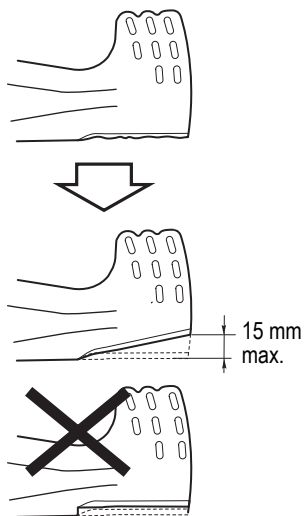
ATTENTION :

- *L'équilibre de l'organe de coupe est crucial pour les performances correctes de la machine. Remplacer tout organe de coupe endommagé ou déséquilibré.*
- *Utiliser uniquement des organes de coupe d'origine Honda.*

AFFUTAGE DE L'ORGANE DE COUPE

ATTENTION :

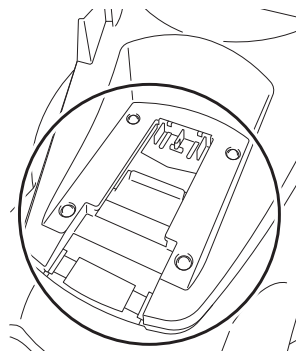
- *Pour éviter la fragilisation de l'organe de coupe, ce qui serait à l'origine de son déséquilibre ou d'une mauvaise qualité de coupe, confier l'affûtage de l'organe de coupe au personnel compétent de son concessionnaire.*
1. Affûter les bords tranchants de l'organe de coupe à l'aide d'une meule à affûter. Affûter uniquement le bord supérieur. Conserver le biseau d'origine afin d'obtenir une arête très acérée. Aiguiser les deux extrémités de façon homogène, pour le maintien de l'équilibre de l'organe de coupe.
 2. Une fois l'affûtage terminé, tester l'équilibre de l'organe de coupe en utilisant un tournevis, comme illustré ci-dessus. Si l'un des bords penche légèrement en dessous de l'horizontale, aiguiser ce côté. Remplacer l'organe de coupe s'il penche de façon excessive.



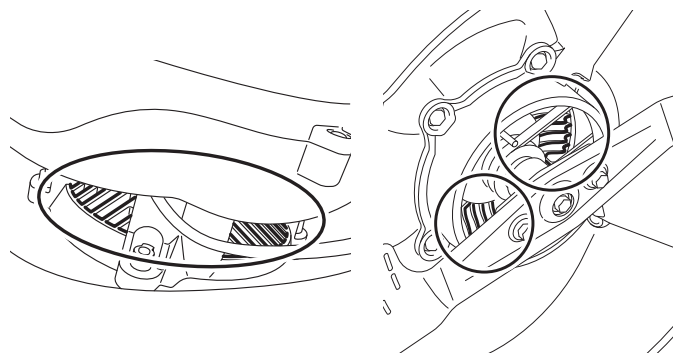
NETTOYAGE DES AILETTES DE REFROIDISSEMENT DU MOTEUR ET DE L'EMPLACEMENT DE LA BATTERIE

1. Eliminer la saleté et l'herbe autour des ailettes de refroidissement du moteur et de l'emplacement de la batterie à l'aide d'une brosse douce et sèche comme illustré.

Emplacement de la batterie



Ailettes de refroidissement du moteur



NETTOYAGE ET REMPLACEMENT DU BAC DE RAMASSAGE

NETTOYAGE DU TISSU DU BAC DE RAMASSAGE

ATTENTION :

- Un lavage au jet de vapeur ou à l'aide d'un nettoyeur haute pression endommagerait le tissu du bac de ramassage.
- Des mailles obstruées empêchent l'herbe de pénétrer dans le tissu du bac de ramassage.
- Pour nettoyer le tissu du bac de ramassage, il est recommandé de le laver au jet d'eau dirigé de l'extérieur vers l'intérieur du tissu du bac de ramassage. Le tissu du bac de ramassage doit être complètement sec avant d'être réutilisé. Si le tissu du bac de ramassage est mouillé, il se colmate très rapidement.



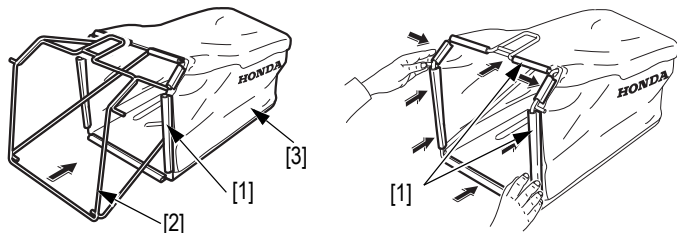
⚠ AVERTISSEMENT

Des objets frappés par l'organe de coupe peuvent être projetés à travers un bac de ramassage déchiré ou endommagé. Des objets projetés par l'organe de coupe peuvent provoquer des blessures graves. Toujours remplacer un bac de ramassage déchiré ou endommagé.

REEMPLACEMENT DU TISSU DU BAC DE RAMASSAGE

Le tissu du bac de ramassage a tendance à s'user, même dans des conditions normales d'utilisation. Vérifier régulièrement qu'il n'est pas ni effiloché, ni déchiré. Remplacer le tissu endommagé d'un bac de ramassage par du tissu Honda d'origine.

1. Détacher les bords en plastique [1] du tissu endommagé du bac de ramassage [3], puis retirer l'armature du bac de ramassage [2].
2. Insérer l'armature dans le tissu neuf de bac de ramassage, puis fixer les bords [1] sur l'armature.



NETTOYAGE

Avant le transport ou le remisage, vérifier que la machine est propre et exempte de débris et, si nécessaire, la nettoyer à l'aide d'une brosse douce et sèche ou d'un chiffon.

Pour nettoyer le bac de ramassage, utiliser un jet d'eau. Ne pas utiliser un nettoyeur haute pression. Ne pas utiliser de détergent pour le nettoyage de la machine.

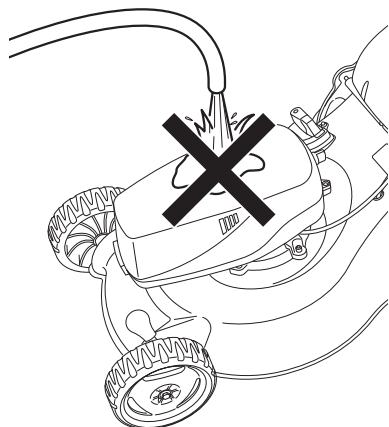
Le maintien de la propreté du dessous de la machine améliore les performances.

Maintenir propre la zone de fixation du bloc-batterie.

Vérifier que le système de fixation et de branchement du bloc-batterie est exempt de saletés et de déchets d'herbe.

Ne pas utiliser une circulation d'eau forcée et éviter de mouiller le moteur ou les composants électriques.

Ne pas utiliser de produits agressifs pour le nettoyage du châssis.



PROGRAMME D'ENTRETIEN

Echéances d'entretien régulier (3)		A chaque utilisation	Toutes les 100 heures d'utilisation ou tous les ans	Toutes les 150 heures d'utilisation ou tous les 2 ans	Se reporter à la page
Description	Opération				
Serrage des boulons de l'organe de coupe	Contrôler	•			12
Organe de coupe (déformation/dommage)	Contrôler	•			7
Bac de ramassage	Contrôler	•			5,11,14
Câble d'embrayage de marche (HRX466XB uniquement)	Contrôler	•			11
	Régler		•(1)		-
Câble de commande de l'organe de coupe	Contrôler	•			12
Courroie d'entraînement	Contrôler			•(1)(2)	-
Cliquet (HRX466XB uniquement)	Graisse		•(2)		-
Ailettes de refroidissement du moteur	Nettoyer	•			13
Emplacement de la batterie	Nettoyer	•			13
Rotation du moteur	Contrôler	•			7
Ensemble extérieur de la machine	Contrôler	•			7

- (1) Remplacer si nécessaire.
- (2) Ces éléments doivent être entretenus par le concessionnaire, à moins de disposer des outils appropriés et de compétences en mécanique. Se reporter au manuel d'atelier Honda pour connaître les procédures d'entretien.
- (3) Pour une utilisation professionnelle, enregistrer les heures de fonctionnement afin de déterminer les échéances d'entretien appropriées.

DEPANNAGE

LA MACHINE NE FONCTIONNE PAS

Cause possible	Correction
Bloc-batterie déchargé.	Recharge du bloc-batterie.
Clé de coupe-batterie mal positionnée.	Vérifier que la clé de coupe-batterie est bien en position marche (I).
Bloc-batterie mal inséré.	Insérer complètement le bloc-batterie.
Bloc-batterie trop chaud/froid.	Laisser le bloc-batterie se réchauffer/refroidir - Vérifier l'affichage à DEL de la batterie.
Bloc-batterie défectueux.	Remplacer le bloc-batterie par un neuf.

LA MACHINE FONCTIONNE PAR INTERMITTENCE

Cause possible	Correction
Câblage interne du produit endommagé.	Contacteur le concessionnaire.
La protection thermique du moteur/de l'électronique a été activée.	Laisser le moteur/l'électronique refroidir et augmenter la hauteur de coupe.
Câblage externe endommagé.	Contacteur le concessionnaire.

LE MOTEUR DEMARRE PUIS S'ARRETE IMMEDIATEMENT

Cause possible	Correction
Bloc-batterie pas complètement chargé.	Vérifier l'affichage du bloc-batterie - Recharger le bloc-batterie si nécessaire.
Clé de coupe-batterie mal positionnée.	Vérifier que la clé de coupe-batterie est bien en position marche (I).
Bloc-batterie mal inséré.	Insérer complètement le bloc-batterie.
Déchets d'herbes hautes résistantes enroulés sur l'organe de coupe.	Désactiver la clé de coupe-batterie et débloquer l'organe de coupe.
Bloc-batterie trop chaud/froid.	Laisser le bloc-batterie se réchauffer/refroidir - Vérifier l'affichage à DEL de la batterie.

ZONE DE TONTE (DUREE DE LA BATTERIE) PAS ASSEZ GRANDE

Cause possible	Correction
Hauteur de coupe trop basse.	Augmenter la hauteur de coupe.
Herbe trop haute.	Augmenter la hauteur de coupe.
Herbe dense.	Augmenter la hauteur de coupe ou tondre plus souvent.
Bloc-batterie en fin de vie.	Remplacer le bloc-batterie par un neuf.
Batterie faible.	Vérifier que le bloc-batterie est complètement chargé avant utilisation.

PROBLEMES DE TONTE ET DE RAMASSAGE

Cause possible	Correction
La machine tond trop rapidement ou l'herbe est trop haute ou trop dense.	Se déplacer plus lentement si possible ou relever la hauteur de coupe.
La machine se déplace trop vite pour l'état de la pelouse.	Contacteur le concessionnaire. (Sauf lorsque la machine est poussée.)
Bac de ramassage trop plein ou obstrué.	Vider le bac de ramassage. Laver le bac de ramassage en cas d'obstruction par des saletés (pages 11 et 14).
Le châssis de la machine est colmaté.	Nettoyer le châssis de la machine (page 12).
Organe de coupe émoussé, usé ou endommagé.	Affûter ou remplacer l'organe de coupe si nécessaire (page 13).
Organe de coupe incorrect installé.	Installer l'organe de coupe correct (page 12).

VIBRATIONS

Cause possible	Correction
Organe de coupe desserré, plié, endommagé ou déséquilibré par un affûtage incorrect.	Serrer les boulons desserrés de l'organe de coupe. Si l'organe de coupe est plié ou endommagé, demander à un concessionnaire de procéder à une inspection (page 13).
Dommages mécaniques, tel qu'un arbre de moteur plié.	L'entretien de ces points doit être confié à votre concessionnaire.

REMISAGE

PREPARATION DE LA MACHINE EN VUE DE SON REMISAGE

Vérifier que la clé du coupe-batterie et le bloc-batterie ont été déposés de la machine avant de remiser cette dernière.

Un remisage correct est indispensable pour garantir la durée de vie utile du produit. Si possible, éviter les zones de remisage présentant une humidité élevée qui pourrait entraîner la formation de rouille ou de corrosion.

Fin du remisage saisonnier :

- Déposer le bloc-batterie et remiser à la fois la machine et le bloc-batterie dans un endroit sec et sûr, hors du rayonnement direct du soleil.
- Ne pas placer d'objets sur le dessus de la machine.
- Avant un remisage pour une longue période, nettoyer minutieusement le produit.

NOTE : Voir les instructions supplémentaires des procédures de remisage du bloc-batterie.

TRANSPORT

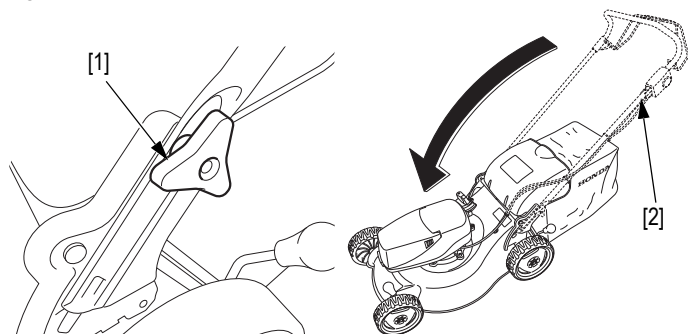
TRANSPORT DE LA MACHINE

⚠ AVERTISSEMENT

Vérifier que la clé du coupe-batterie et le bloc-batterie ont été déposés de la machine avant de transporter cette dernière ou de rabattre le guidon.

Pour faciliter l'opération :

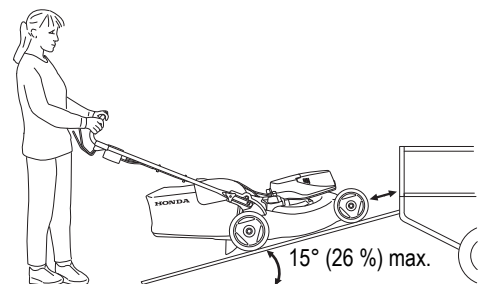
1. Retirer le bac de ramassage (voir page 5).
2. Tourner les boutons de fixation du guidon [1] et rabattre le guidon [2].



NOTE :

Lorsque le guidon est rabattu, s'assurer que les câbles ne sont pas coulés, entortillés, étirés ou pincés.

CHARGEMENT DE LA MACHINE



ATTENTION :

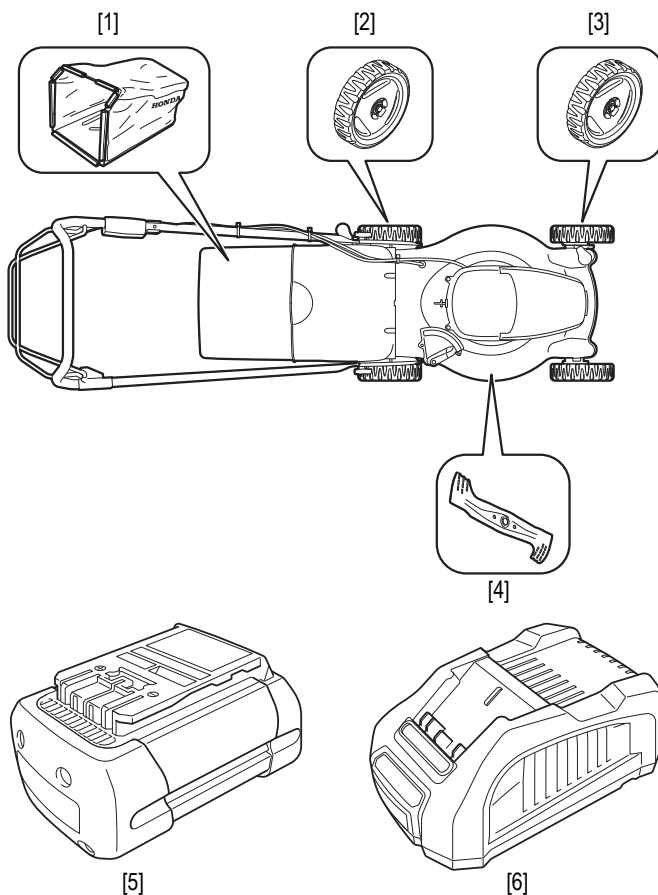
- Pour éviter tout risque de perte de contrôle ou d'endommagement de la machine, ne pas utiliser le système de traction pour déplacer la machine (en montée ou en descente) sur une rampe de chargement.
- Pour éviter d'endommager le système de traction, ne pas enclencher l'embrayage lorsque la machine roule en marche arrière.
- Transporter la machine en position horizontale normale, avec ses 4 roues à plat sur la plate-forme du véhicule.
- Il est recommandé d'utiliser une rampe de chargement ou de se faire aider par quelqu'un pour charger ou décharger la machine.
- Régler la rampe de chargement de façon que son angle d'inclinaison soit inférieur à 15° (26 %).
- Lors du transport de la machine, immobiliser cette dernière à l'aide de sangles et placer des cales sous les roues.
- Les sangles ne doivent pas entrer en contact avec les pièces suivantes de la machine : levier d'embrayage de marche, levier de commande d'organe de coupe et tous les câbles de commande.

INFORMATIONS UTILES

TROUVER UN CONCESSIONNAIRE AGREE

Consulter le site Internet européen :

<http://world.honda.com/>



PIECES COURANTES, ACCESSOIRE EN OPTION ET CONSOMMABLES

Prendre contact avec son concessionnaire pour acquérir l'une des pièces d'origine répertoriées ci-après, ou toute autre pièce.

	HRG416XB	HRG466XB		
Pièces courantes				
[1]	Bac de ramassage	81320-VH3-R11	81320-VH4-R11	Bac de ramassage seulement (sans bâti)
[2]	Roue arrière	42710-VH3-R10	42710-VH3-R20	
[3]	Roue avant	44710-VH3-R10		
[4]	Organe de coupe standard	72511-VH3-R90	72511-VH4-R90	Nécessite l'utilisation d'une clé dynamométrique
[5]	Bloc-batterie	DP3640XA (Standard 4A) DP3660XA (Standard 6A) DPW3660XA (Tous temps 6A) DPW3690XA (Tous temps 9A)		
[6]	Chargeur	CV3680XA		

⚠ AVERTISSEMENT

Pour votre sécurité, il est formellement interdit de monter tout autre accessoire que ceux répertoriés ci-dessus et spécifiquement conçus pour le modèle et le type de machine.

SPÉCIFICATIONS TECHNIQUES

MODELE	HRG416XB		HRG466XB	
TYPES	PEEA	PEUA	SEEA	SEUA
CARACTERISTIQUES GENERALES				
Code de description	MCEF		MCDF	
Fonction	Tonte de pelouses			
Dimensions L x E x h	mm	1 415 x 453 x 980		1 470 x 497 x 980
Poids (*)	kg	23		27
Voie AV/AR	mm	369 / 395		419 / 439
Largeur de coupe	cm	41		46
Réglages de hauteur de coupe	mm	6 positions (de 20 à 74 mm)		
Diamètre de roues arrière/avant	mm	178 / 212		
Capacité du bac de ramassage	ℓ	42		50
Niveau de pression acoustique au niveau des oreilles de l'opérateur (conformément à la norme EN60335-2-77:2010)	dB(A)	79	-	80,2
Incertitude de mesure	dB(A)	1,00	-	1,00
Niveau de puissance acoustique mesuré (conformément aux directives 2000/14/CE 2005/88/CE)	dB(A)	88,76	-	90,63
Incertitude de mesure	dB(A)	0,65	-	1,41
Niveau de puissance acoustique garanti (conformément aux directives 2000/14/CE 2005/88/CE)	dB(A)	89	-	92
Test de vibration (conformément à la norme EN60335-2-77:2010)(**)	m/s ²	1,07	-	1,33
Incertitude de mesure	m/s ²	0,56	-	0,51
MOTEUR				
Type	TRIPHASE CC SANS BALAIS			
Puissance de sortie max	W	1 000		1 800
Nombre de rotations à vide (avec organe de coupe)	min ⁻¹ (tr/min)	2 900 ± 40		2 800 ± 40
TRANSMISSION				
Type	-		Type fixe 1 vitesse	
Moteur vers transmission	-		Courroie trapézoïdale	
Nombre de vitesses	-		Vitesse unique	
Vitesse de marche avant	m/s	-		0,89
Lubrification	-		Bain d'huile et barbotage	
Huile recommandée	-		10W40	
Contenance en huile	ml	-		65

(*) Sans batterie.

(**) Valeurs pour une machine équipée d'un bac de ramassage en position de ramassage d'herbe.

EINFÜHRUNG

Sie haben sich für einen akkubetriebenen Rasenmäher von Honda entschieden. Wir möchten uns bei Ihnen für das entgegengebrachte Vertrauen bedanken.

Anhand dieser Anleitung können Sie sich mit Ihrem Gerät, den optimalen Betriebsbedingungen und den erforderlichen Wartungsmaßnahmen vertraut machen.

Unser Ziel ist es, dass Sie in vollem Umfang von unseren Kenntnissen profitieren – in Form von technologischen Fortschritten, neuen Geräten und verbesserten Materialien. Aus diesem Grund setzen wir regelmäßig Verbesserungen an unseren Modellen um. Daher können die in dieser Anleitung enthaltenen technischen Daten und Informationen ohne vorherige Ankündigung und ohne Aktualisierungspflicht geändert werden.

Die Abbildungen in dieser Anleitung zeigen das Modell, mit dem sich das betreffende Thema am besten darstellen lässt.

Die übrigen Abbildungen, die für alle Typen gleichermaßen gelten, basieren auf dem Modell HRG466XB.

Wenden Sie sich bei Problemen und Fragen zum Gerät an Ihren Fachhändler.

Bewahren Sie diese Anleitung griffbereit auf, damit Sie jederzeit darin nachschlagen können. Wenn Sie das Gerät verkaufen, sollte die Anleitung unbedingt beiliegen.

Wir empfehlen Ihnen, die Garantie-Urkunde zu lesen und sich mit Ihren Rechten und Pflichten vollständig vertraut zu machen. Die Garantie-Urkunde wird Ihnen als separates Dokument von Ihrem Händler bereitgestellt.

Die Vervielfältigung der vorliegenden Anleitung oder von Auszügen daraus ist ohne vorherige schriftliche Genehmigung nicht gestattet.

SICHERHEITSHINWEISE

Bitte lesen Sie zur Ihrer eigenen Sicherheit und zur bestmöglichen Nutzung des Geräts dieses Handbuch vollständig durch.

Folgende Symbole und ihre Bedeutung sind zu beachten:

WARNUNG

Weist auf hohe Verletzungs- oder Lebensgefahr hin, wenn die Anweisungen nicht befolgt werden.

VORSICHT:

• Zeigt mögliche Verletzungsgefahr oder Beschädigung des Geräts an, wenn die Anweisungen nicht befolgt werden.

HINWEIS: Nützliche, praktische Hinweise.

SO IDENTIFIZIEREN SIE DAS MODELL IHRES GERÄTS

	KATEGORIE	SERIE	TYP	OPTION
Beispiel	HRG	416XB	PE	EA
Beschreibung	HRG= Rasenmäher		P= Von Hand schieben	EA= Bestimmungsregion Europa
			S= Eigenantrieb	UA= Bestimmungsregion Australien

Das Modell Ihres akkubetriebenen Geräts ist auf dem "Typenschild" (siehe Seite 4) durch eine Reihe von Buchstaben angegeben.

 _____
An dieser Stelle die Seriennummer Ihres Geräts notieren

An dieser Stelle das Modell Ihres Geräts notieren

Honda France Manufacturing S.A.S. - Pôle 45 - Rue des Châtaigniers
45140 ORMES - FRANKREICH - Alle Rechte vorbehalten

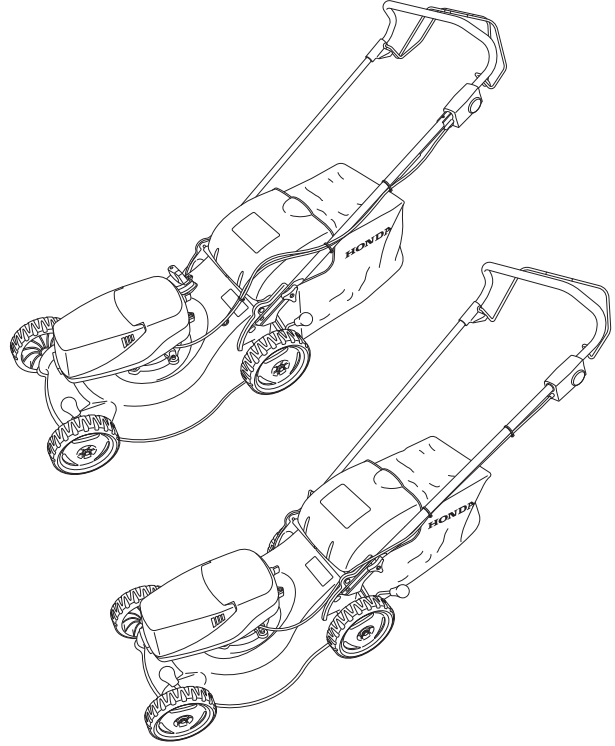
3RVAA601 HRG416XB 2020
00X3R-VAA-6010 HRG466XB In Frankreich gedruckt

HONDA

BEDIENUNGSANLEITUNG

ÜBERSETZUNG DER ORIGINALBETRIEBSANLEITUNG
GEBRAUCHSANWEISUNG

Akkubetriebener Rasenmäher HRG416XB • HRG466XB



DEUTSCH



Für den Betrieb dieses Geräts benötigen Sie einen speziellen Akkusatz und ein Ladegerät. Sie sind separat erhältlich.

INHALT

Einführung	1
Sicherheitshinweise	2
Sicherheitsaufkleber	4
Typenschild	4
Allgemeine Beschreibung	4
Vorbereitung und Kontrollen vor Inbetriebnahme	5
Auswahl der Mähart (nur HRG466XB)	8
Mähen	9
Empfehlungen für den Betrieb	9
Wartung	11
Fehlersuche	15
Einlagerung	15
Transport	16
Praktische Hinweise	16
Technische Daten	17
Adressen der wichtigsten Honda-Haupthändler	18
“EU-Konformitätserklärung” INHALTSÜBERSICHT	19

SICHERHEITSHINWEISE

SORGFÄLTIG ZU BEACHTEN

Lesen Sie dies aufmerksam, bevor Sie das Gerät verwenden.

WARNUNG

Weist auf hohe Verletzungs- oder Lebensgefahr hin, wenn die Anweisungen nicht befolgt werden.

VORSICHT:

- Zeigt mögliche Verletzungsgefahr oder Beschädigung des Geräts an, wenn die Anweisungen nicht befolgt werden.

HINWEIS: Nützliche, praktische Hinweise.

A) ANLEITUNG

- 1) Lesen Sie die Anweisungen aufmerksam durch. Machen Sie sich mit den Bedienelementen und dem korrekten Gebrauch des Geräts vertraut. Lernen Sie, wie Sie den Motor schnell stoppen.
- 2) Kinder sowie Personen, die mit dem Inhalt dieser Anleitung nicht vertraut sind, dürfen das Gerät nicht benutzen. Örtliche Bestimmungen können ein Mindestalter des Bedieners vorsehen.
- 3) Verwenden Sie das Gerät niemals in den folgenden Fällen:
 - Personen, insbesondere Kinder oder Tiere, halten sich in der Nähe auf.
 - Der Bediener hat Medikamente oder Substanzen eingenommen, die seine Reaktionsfähigkeit und Aufmerksamkeit beeinträchtigen könnten.
- 4) Denken Sie daran, dass der Bediener oder Benutzer des Geräts für Unfälle und Schäden verantwortlich ist, die Dritten bzw. am Eigentum von Dritten entstehen.
- 5) Keine Änderungen am Gerät vornehmen. Diese können zu Unfällen und Schäden am Gerät führen. Eingriffe am Gerät führen zum Erlöschen der EU-Typgenehmigung für dieses Gerät.

B) VORBEREITUNG

- 1) Tragen Sie beim Mähen immer feste Schuhe und lange Hosen. Betreiben Sie das Gerät nicht barfuß oder mit offenen Schuhen. Tragen Sie möglichst keine lockere Kleidung oder Kleidungsstücke mit freihängenden Schnüren oder Bändern. Um die Auswirkungen von Vibrationen zu reduzieren, tragen Sie Anti-Vibrationshandschuhe. Um die Auswirkungen von Lärm zu reduzieren, tragen Sie einen Gehörschutz.
- 2) Untersuchen Sie den gesamten Arbeitsbereich gründlich und entfernen Sie alles, was vom Gerät ergriffen werden oder die Schneideinheit bzw. den Motor beschädigen könnte (Steine, Zweige, Eisendraht, Knochen und anderes).
- 3) Untersuchen Sie das Gerät vor dem Gebrauch grundsätzlich. Stellen Sie insbesondere sicher, dass Schneidwerkzeug, Schrauben und Schneideinheit nicht verschlissen oder beschädigt sind. Tauschen Sie beschädigtes oder verschlissenes Schneidwerkzeug und Schrauben im Ganzen aus, damit kein Ungleichgewicht entsteht. Ersetzen Sie beschädigte oder nicht lesbare Aufkleber.
- 4) Prüfen Sie den Akkusatz vor dem Gebrauch auf Anzeichen von Beschädigung oder Alterung. Verwenden Sie das Gerät nicht, wenn der Akkusatz beschädigt oder verschlissen ist. Überprüfen Sie, dass die Pole des Akkus nicht kurzgeschlossen werden.
- 5) Beim Betrieb müssen die Auswurfabdeckung oder der Schnittgutsammler angebracht sein.

C) BETRIEB

- 1) Mähen Sie nur bei Tageslicht oder ausreichend hellem Kunstlicht.
- 2) Mähen Sie möglichst kein nasses Gras oder bei Regen.
- 3) Achten Sie in abschüssigem Gelände auf sicheren Halt.
- 4) Laufen Sie nie, sondern gehen Sie immer. Lassen Sie nicht das Gerät das Tempo bestimmen.
- 5) Mähen Sie immer quer zum Hang und nicht in Auf- oder Abwärtsrichtung.
- 6) Seien Sie äußerst vorsichtig, wenn Sie in abschüssigem Gelände die Richtung wechseln.
- 7) Mähen Sie nie in zu steilem Gelände. Setzen Sie das Gerät nicht an Gefällen von über 20° (36%) ein.

- 8) Seien Sie äußerst vorsichtig, wenn Sie das Gerät zu sich heranziehen.
- 9) Halten Sie das Schneidwerkzeug an, wenn das Gerät zum Transport über andere Untergründe als Gras gekippt wurde und wenn das Gerät zum Ort des Einsatzes oder von dort weg transportiert wurde.
- 10) Betreiben Sie das Gerät nie mit beschädigten Schutzvorrichtungen oder ohne Schnittgutsammler oder Steinschutz.
- 11) Starten Sie den Motor vorschriftsmäßig und halten Sie Ihre Füße vom Schneidwerkzeug fern.
- 12) Neigen Sie das Gerät beim Start des Motors nicht, es sei denn, dies ist zum Starten erforderlich. Neigen Sie ihn in diesem Fall nicht mehr als absolut notwendig und heben Sie nur den vom Bediener entfernten Teil an. Stellen Sie immer sicher, dass Sie beide Hände in der Arbeitsposition halten, bevor Sie das Gerät wieder absenken.
- 13) Stehen Sie beim Start des Geräts nicht vor der Auswurföffnung.
- 14) Halten Sie Hände und Füße nie in die Nähe von oder unter drehende Teile. Halten Sie sich von der Auswurföffnung fern.
- 15) Transportieren Sie das Gerät nicht bei eingeschalteter Stromversorgung.
- 16) Entfernen Sie den Isolatorschlüssel und den Akkusatz oder bringen Sie den Isolatorschlüssel in die Aus-Stellung (O):
 - Beim Zurücklassen des Geräts.
 - Vor dem Lösen von Blockierungen oder Freimachen des Auswurfkanals.
 - Vor Arbeiten am Gerät, einschließlich zur Durchführung von Kontroll- und Reinigungsmaßnahmen.
 - Nach dem Kontakt mit einem Hindernis. Prüfen Sie, ob das Gerät Schaden genommen hat, führen Sie die notwendigen Reparaturen durch, und nehmen Sie die Arbeit mit dem Gerät erst danach wieder auf.Wenn das Gerät auffällig vibriert, sofort Ursache prüfen.
 - Prüfen Sie, ob ein Schaden vorliegt.
 - Tauschen Sie beschädigte Teile bei Ihrem Fachhändler aus oder reparieren Sie diese.
 - Prüfen Sie, ob Teile lose sind, und ziehen Sie sie ggf. fest.
- 17) Stoppen Sie den Motor:
 - Beim Entfernen oder Befestigen des Schnittgutsammlers.
 - Beim Einstellen der Schnitthöhe.
- 18) Befestigen Sie den Isolatorschlüssel nicht mit einem Transportgurt am Gerät.
- 19) Halten Sie beim Mähen immer einen sicheren Abstand zum sich drehenden Schneidwerkzeug, wie durch die Länge des Lenkers vorgegeben.
- 20) **WARNUNG** – wenn während des Mähens etwas schadhafte wird oder ein Unfall geschieht, schalten Sie den Motor sofort aus und entfernen Sie das Gerät aus dem betroffenen Bereich, um weitere Schäden zu vermeiden. Wenn Sie oder Dritte bei einem Unfall verletzt werden, ergreifen Sie sofort die der Situation angemessenen Erste-Hilfe-Maßnahmen und wenden Sie sich ggf. zur medizinischen Versorgung an ärztliche Stellen. Entfernen Sie sorgfältig alle Verunreinigungen, die Schäden verursachen oder Personen oder Tiere verletzen könnten, wenn sie übersehen werden.
- 21) Die in dieser Anleitung angegebenen Geräusch- und Schwingungspegel sind die Maximalwerte für den Einsatz des Geräts. Wenn Sie ein Schneidwerkzeug mit einer Unwucht verwenden, das Gerät mit überhöhter Geschwindigkeit bewegen und nicht ausreichend warten, hat das einen erheblichen Einfluss auf die Schallemissionen und Schwingungen. Es ist daher erforderlich, dass Sie vorbeugende Maßnahmen ergreifen, um alle möglichen Schäden durch hohe Geräuschpegel und Belastungen durch Schwingungen zu vermeiden; stellen Sie sicher, dass die Maschine gut gewartet ist, und tragen Sie einen Helm gegen Lärm. Machen Sie während der Arbeit Pausen.

D) INSTANDHALTUNG UND LAGERUNG

- 1) Der sichere Betriebszustand des Geräts ist nur dann gewährleistet, wenn keine Schrauben und Muttern locker sind. Eine regelmäßige Wartung ist für die Sicherheit und zur Aufrechterhaltung einer guten Leistung unerlässlich.
- 2) Überprüfen Sie den Steinschutz und den Schnittgutsammler häufig auf Verschleiß oder Beschädigungen.
- 3) Achten Sie beim Einstellen des Geräts darauf, dass Ihre Finger nicht zwischen dem beweglichen Schneidwerkzeug und den festen Teilen des Geräts eingeklemmt werden.
- 4) Lassen Sie das Gerät immer abkühlen, bevor Sie es verstauen.
- 5) Beachten Sie bei der Pflege des Schneidwerkzeugs immer, dass das Schneidwerkzeug auch bei ausgeschalteter Stromversorgung bewegt werden kann.
- 6) Verwenden Sie aus Sicherheitsgründen das Gerät nie, wenn Teile verschlissen oder beschädigt sind. Solche Teile müssen ausgetauscht und nicht repariert werden. Verwenden Sie Original-Ersatzteile. Teile von abweichender Qualität können das Gerät beschädigen und Ihre Sicherheit gefährden.
- 7) Zur Verminderung von Brandgefahr halten Sie das Gerät, insbesondere den Motor, frei von Gras, Blättern und übermäßigem Schmierfett. Lassen Sie Behälter mit Grasschnitt nie in einem Lagerbereich stehen.
- 8) Reinigen Sie den Schnittgutsammler mit Wasser aus einem Schlauch. Verwenden Sie keinen Hochdruckreiniger.
- 9) Eine korrekte Lagerung ist für eine lange Lebensdauer des Produkts entscheidend. Wenn möglich, vermeiden Sie Lagerplätze mit hoher Feuchtigkeit, die Rost oder Korrosion verursachen kann.
- 10) Lagerung am Saisonende: Entfernen Sie den Akkusatz und lagern Sie sowohl das Gerät als auch den Akkusatz an einem trockenen und sicheren Ort ohne direkte Sonneneinstrahlung. Legen Sie keine Objekte auf dem Gerät ab.
- 11) Reinigen Sie das Produkt vor einer längeren Lagerung gründlich.

E) ALLGEMEINE VORSICHTSMASSNAHMEN

- 1) Reparaturen müssen von Ihrem Fachhändler durchgeführt werden. Schalten Sie den Isolatorschlüssel aus und ziehen Sie ihn vom Gerät ab, wenn das Gerät auffällig vibriert. Lassen Sie in diesem Fall Ihren Fachhändler eine Inspektion durchführen.
- 2) Halten Sie beim Start beide Hände am Griff.
- 3) Verschleißteile dürfen nur von Ihrem Fachhändler ausgetauscht werden.
- 4) Verwenden Sie das Gerät nie, wenn der Akkusatz beschädigt oder verschlissen ist.
- 5) Fassen Sie das Schneidwerkzeug nicht an, bis der Isolatorschlüssel vom Gerät abgezogen wurde und das Schneidwerkzeug vollständig zum Stillstand gekommen ist.
- 6) Stellen Sie vor einem Transport oder einer Einlagerung des Geräts sicher, dass es sauber und frei von Rückständen ist. Reinigen Sie es bei Bedarf mit einer weichen trockenen Bürste.
- 7) Verwenden Sie kein Druckwasser und achten Sie darauf, dass der Motor und die elektrischen Bauteile nicht nass werden. Reinigen Sie das Fahrgestell nicht mit scharfen Mitteln.
- 8) Durch die Reinhaltung der Unterseite des Geräts lässt sich die Leistung verbessern. Halten Sie den Bereich um den Akkusatz stets sauber.
- 9) Bewahren Sie den Isolatorschlüssel an einem sicheren Ort auf und halten Sie ihn von Kindern fern.

F) ZUSÄTZLICHE WARNUNGEN

- 1) **WARNUNG** – GEFAHR! Feuchtigkeit und Elektrizität vertragen sich nicht miteinander:
 - Handhaben Sie und schließen Sie den Akkusatz immer unter trockenen Bedingungen an.
 - Lassen Sie den Akkusatz nie in Kontakt mit Nässe kommen (Pflügen oder nasses Gras).
- 2) Tragen Sie zur Demontage und Montage des Schneidwerkzeugs Arbeitshandschuhe.
- 3) Achten Sie beim Schleifen des Schneidwerkzeugs darauf, dass keine Unwucht entsteht. Alle Arbeiten am Schneidwerkzeug (Demontage, Schleifen, Auswuchtung, erneute Montage und/oder Austausch) sind anspruchsvolle Aufgaben und erfordern spezielle Kenntnisse sowie spezielle Werkzeuge. Aus Sicherheitsgründen werden diese Arbeiten am besten bei Ihrem Fachhändler durchgeführt.
- 4) Empfehlungen zur optimalen Handhabung des Akkusatzes und Ladegeräts.
WARNUNG – versuchen Sie nicht, mit dem Ladegerät nicht wieder aufladbare Batterien zu laden.
 - Stellen Sie unbedingt sicher, dass sich der Isolatorschlüssel und die Bedienelemente in der Aus-Stellung befinden, bevor Sie den Akkusatz einsetzen.
 - Fügen Sie den Akkusatz ein, bis der Einrastmechanismus klickt. Um den Akkusatz zu entfernen, betätigen Sie den Öffnungshebel der Akkuabdeckung.
- 5) Akkus müssen vor dem Laden aus dem Gerät entfernt werden.

G) TRANSPORT UND HANDHABUNG

- 1) Immer wenn das Gerät gehandhabt, angehoben, transportiert oder gekippt werden soll, müssen Sie:
 - feste Arbeitshandschuhe tragen.
 - das Gerät an den Punkten greifen, die unter Berücksichtigung des Gewichts und seiner Verteilung einen sicheren Griff bieten.
 - so viele Personen einsetzen wie für das Gewicht des Geräts, die Eigenschaften des Fahrzeugs und den Abhol- oder Abstellort angemessen.
- 2) Fixieren Sie das Gerät beim Transport sicher mit Seilen oder Ketten.
- 3) Stellen Sie sicher, dass der Isolatorschlüssel und der Akkusatz aus dem Gerät entfernt wurden, bevor Sie es transportieren oder den Lenker umklappen.

SICHERHEITSaufKLEBER

Beim Betrieb des Geräts sind gewisse Vorsichtsmaßnahmen zu beachten. Deshalb sind Aufkleber am Gerät angebracht, um Sie bildlich auf die wichtigsten Vorsichtsmaßnahmen für den Gebrauch aufmerksam zu machen. Die Bedeutung dieser Abbildungen wird nachstehend erläutert. Diese Aufkleber sind als fester Bestandteil des Geräts zu betrachten. Wenden Sie sich darum bitte zwecks Ersatz an Ihren Fachhändler, sollte ein Schild verloren gehen oder unleserlich werden. Wir empfehlen Ihnen außerdem, die Sicherheitshinweis aufmerksam durchzulesen (siehe Seite 2).

Bestimmungsregion Europa (PEEA, SEEA)	Bestimmungsregion Australien (PEUA, SEUA)
	<p>DANGER</p> <p>SHARP BLADE You will be seriously cut by the rotating blade. Keep hands and feet away when motor is running.</p> <p>WARNING</p> <p>AVOID SERIOUS INJURY OR DEATH.</p> <ul style="list-style-type: none"> Follow all instructions in Owner's Manual. Keep safety devices (guards, shields, switches, etc.) in place and working. Avoid steep slopes. Look down and behind before and while moving backwards. Do not operate unless properly trained. To reduce the risk of electric shocks, do not expose to water or operate on wet ground. Remove the battery pack before servicing or removing blade. <p>OBJECTS THROWN BY BLADE CAN CAUSE SERIOUS INJURY.</p> <ul style="list-style-type: none"> Inspect area and remove debris before mowing. Do not mow when children or others are around. Wear eye protection. <p>DO NOT OPERATE UNLESS GUARD IS CLOSED OR BAG IS IN PLACE.</p>

- [1] **WARNUNG:** Lesen Sie vor dem Betrieb des Geräts die Bedienungsanleitung.
- [2] Gefahr durch hochgeschleuderte Gegenstände: Bei Betrieb Dritte vom Gefahrenbereich fernhalten.
- [3] Verletzungsgefahr. Gefahr durch umlaufende Schneidwerkzeuge: Hände und Füße fernhalten. Bringen Sie den Isolatorschlüssel in die Aus-Stellung (O) und entfernen Sie den Isolatorschlüssel und Akkusatz vor dem Einstellen, Reinigen und unbeaufsichtigten Zurücklassen des Produkts. Das Schneidwerkzeug dreht nach Abschalten des Motors weiter.
- [4] Beim Betrieb müssen die Auswurfabdeckung oder der Schnittgutsammler angebracht sein.

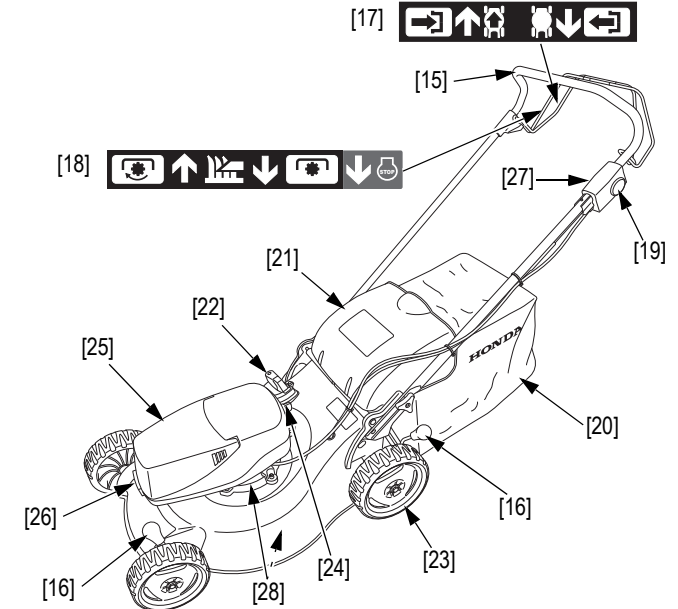
TYPENSCHILD

Bestimmungsregion Europa (PEEA, SEEA)	
	<p>Honda France Manufacturing S.A.S. [13] Rue des Châtaigniers - Pôle 45 [12] 45140 Ormes - France [12]</p> <p>CE [12] IP54 [14]</p> <p>dB [11] min⁻¹ [11]</p>

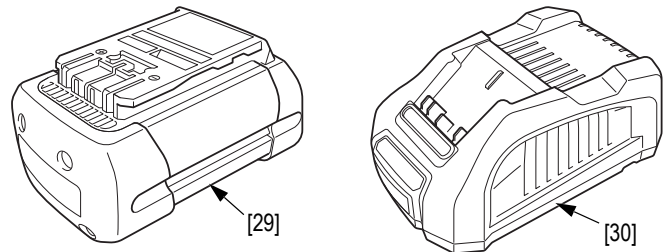
Bestimmungsregion Australien (PEUA, SEUA)	
	<p>Honda Australia Motorcycle and Power Equipment Pty Ltd. [11]</p> <p>Assembled in FRANCE</p>

- [5] Schall-Leistungspegel
- [6] CE-Zeichen
- [7] Nennspannung
- [8] Empfohlene Motordrehzahl in min⁻¹ (U/min)
- [9] Gewicht in Kilogramm
- [10] Baujahr
- [11] Seriennummer
- [12] Modell - Typenbezeichnung
- [13] Name und Anschrift des Herstellers
- [14] IP-Code (Widerstandsfähigkeit gegen Eindringen von Feuchtigkeit und Staub (nur bei installiertem Akku gewährleistet))

ALLGEMEINE BESCHREIBUNG



Akkusatz und Ladegerät
*Für den Betrieb dieses Geräts benötigen Sie einen speziellen Akkusatz und ein Ladegerät. Sie sind separat erhältlich.



BEZEICHNUNG DER BAUTEILE

BEDIENEINRICHTUNGEN	FUNKTIONEN
[15] Lenker	
[16] Hebel zum Einstellen der Schnitthöhe	Auswählen der gewünschten Schnitthöhe
[17] Antriebskupplungshebel (nur HRG466XB)	Steuerung des Antriebsgetriebes für die Hinterräder
[18] Stellteil für das Schneidwerkzeug	Stoppen und Starten der Drehung des Schneidwerkzeugs
[19] gelber Knopf	Steuerung des Motors durch einen Doppelbetriebsschalter zum Verhindern eines unbeabsichtigten Starts
[20] Schnittgutsammler	Sammlung des Schnittguts
[21] Auswurfabdeckung	Schutz vor hochgeschleuderten Gegenständen
[22] Schnittleiter (nur HRG466XB)	Umschaltung von Mulchen/Heckauswurf
[23] Hinterräder	
[24] Isolatorschlüssel	
[25] Akkuabdeckung	
[26] Öffnungshebel der Akkuabdeckung	
[27] Akkuanzeige	
[28] Motorkühlrippen	
[29] Akkusatz	
[30] Ladegerät	

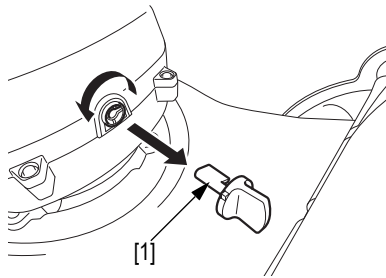


Entsorgen Sie elektrische Geräte nicht mit dem Hausmüll. Wenn Elektrogeräte in Deponien oder Müllhalden entsorgt werden, können Substanzen austreten und reagieren und in die Nahrungskette gelangen und so Ihrer Gesundheit und Ihrem Wohlergehen schaden. Weitere Informationen zur Entsorgung dieses Produkts erhalten Sie von Ihrem Fachhändler oder Ihrer nächsten Hausmüllsammelstelle.

VORBEREITUNG UND KONTROLLEN VOR INBETRIEBNAHME

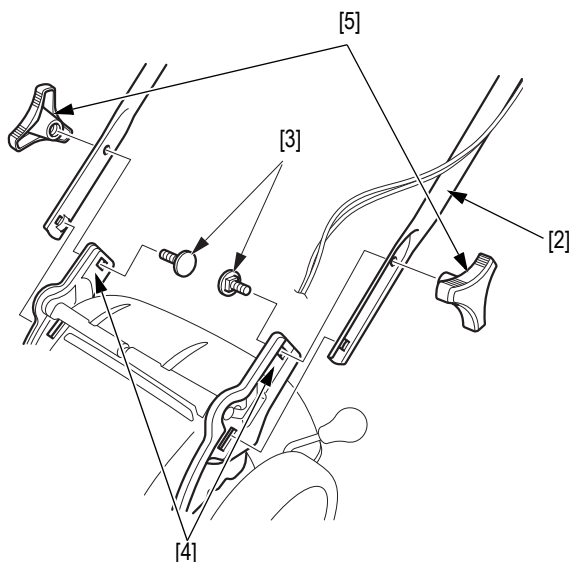
⚠️ WARNUNG

Stellen Sie das Gerät zur Ausführung dieser Arbeiten auf stabilen und ebenen Untergrund. Der Isolatorschlüssel [1] und der Akkusatz müssen aus dem Gerät entfernt worden sein.



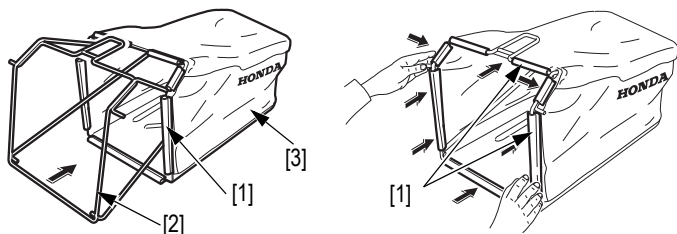
MONTAGE DES LENKERS

1. Stellen Sie sicher, dass der Schnittgutsammler nicht montiert ist.
2. Befestigen Sie den Lenker [2] so am Mähwerkrahmen, dass sich der Zug oder die Züge auf der linken Seite befinden.
3. Bringen Sie die zwei Schrauben [3] von innen an den Befestigungspunkten [4] des Lenkers an. Fixieren Sie sie mit zwei Lenkerbefestigungsknopfen [5]. Stellen Sie sicher, dass die Knöpfe fest angezogen sind.



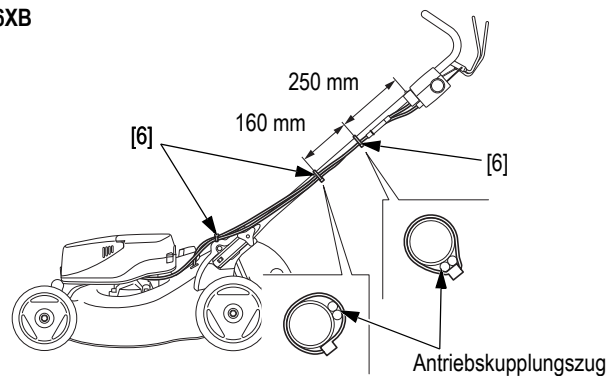
MONTAGE DES SCHNITTGUTSAMMLERS

Rahmen [2] in den Stoffbeutel des Schnittgutsammlers [3] einführen und die Plastikklammern [1] am Rahmen befestigen.

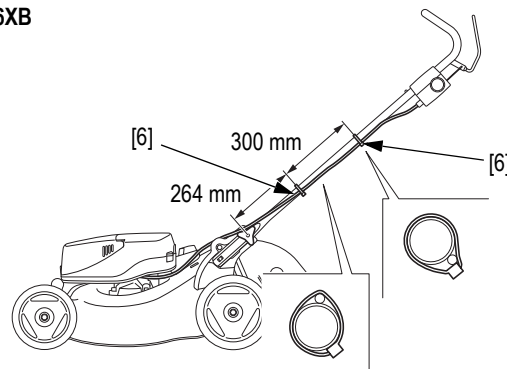


4. Vergewissern Sie sich, dass der Zug oder die Züge über den linken Lenkerbefestigungsknopf verlaufen und mit Kabelbindern [6] an der linken Seite des Lenkers befestigt sind, wie es die Abbildung zeigt.

HRG466XB



HRG416XB



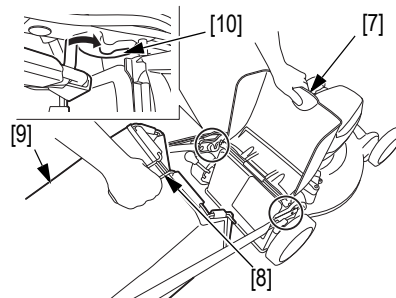
KONTROLLE DES SCHNITTGUTSAMMLERS

⚠️ WARNUNG

Prüfen Sie vor Gebrauch, ob der Schnittgutsammler (Auswurfabdeckung) richtig geschlossen ist. Der Schnittgutsammler unterliegt auch bei normalem Betrieb einem gewissen Verschleiß. Kontrollieren Sie regelmäßig, ob er nicht ausgefranst oder gerissen ist. Bei Verschleiß muss der Schnittgutsammler ausgetauscht werden. Ersetzen Sie den beschädigten Schnittgutsammler durch Honda-Originalteile.

Abnehmen des Schnittgutsammlers:

1. Auswurfabdeckung [7] anheben, Bügel [8] greifen und Schnittgutsammler [9] in aufrechter Position abnehmen.



Einsetzen des Schnittgutsammlers:

1. Auswurfabdeckung anheben und Schnittgutsammler in die Befestigungslaschen des Geräts [10] einhaken.

HINWEIS:

- Das Gerät funktioniert wie ein Staubsauger; es bläst Luft in den Schnittgutsammler, wodurch der Grasschnitt angesaugt wird. Den Schnittgutsammler immer ausleeren, bevor er ganz gefüllt ist. Auf diese Weise kann das Herunterfallen von Grasschnitt verhindert werden. Auch die Entleerung des Schnittgutsammlers wird so erleichtert. Wenn der Schnittgutsammler zu etwa 90% gefüllt ist, verringert sich die Saugleistung.
- Nur HRG466XB: Mulchen ist eine natürliche Düngemethode. Das gemähte Gras wird nicht im Schnittgutsammler aufgefangen, sondern fein zerkleinert auf dem Rasen verteilt. Der so behandelte Grasschnitt wird in der Sonne zersetzt und bildet einen natürlichen Humus, der bis zu einem Viertel des jährlichen Nährstoffbedarfs Ihres Rasens bereitstellt.
- Darüber hinaus schützt Mulchen den Boden, verringert die Wasserverdunstung in Hitzeperioden und macht das Sammeln des Schnittguts überflüssig.

VORBEREITUNG DES AKKUSATZES

Ein geladener Akkusatz muss im Gerät eingebaut sein, um es zu betreiben. Informationen zur Handhabung des Akkusatzes finden Sie auf [Seite 6](#).

EINBAU UND AUSBAU DES AKKUSATZES

⚠️ WARNUNG

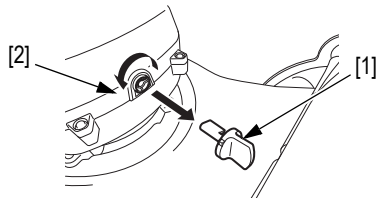
Arbeiten Sie nicht mit nassen Händen oder bei Regen.

VORSICHT:

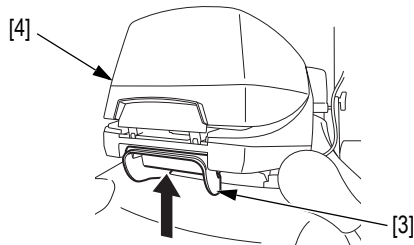
- Wenn Sie die Akkuabdeckung schließen, achten Sie darauf, sich nicht die Finger einzuklemmen.
- Schenken Sie jedem Schritt Ihre volle Aufmerksamkeit, um Verletzungen zu vermeiden.
- Verwenden Sie stets den Honda-Akkusatz.

Einbau:

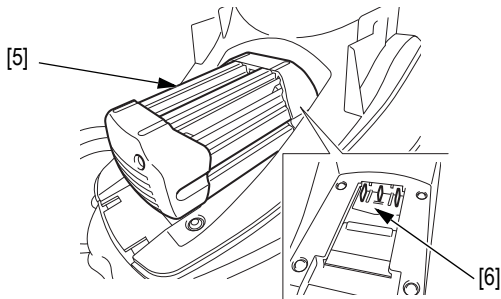
1. Drehen Sie den Isolatorschlüssel [1] in die Aus-Stellung (O) [2] und ziehen Sie den Schlüssel vom Motor ab.



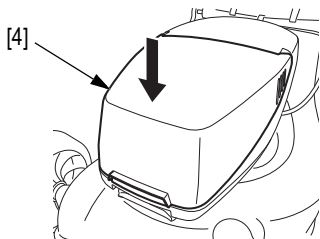
2. Drücken Sie den Öffnungshebel der Akkuabdeckung [3], um die Akkuabdeckung zu öffnen [4].



3. Stellen Sie sicher, dass der Bereich um den Akkusatz sauber ist. Setzen Sie den Akkusatz [5] auf den Anschlusspunkt [6]. **Schieben Sie den Akkusatz, bis es klickt.**



4. Verschließen Sie die Akkuabdeckung sicher.



HINWEIS:

Vergewissern Sie sich bei jedem Öffnen der Abdeckung, dass der Akku korrekt angeschlossen ist, bevor Sie die Abdeckung schließen.

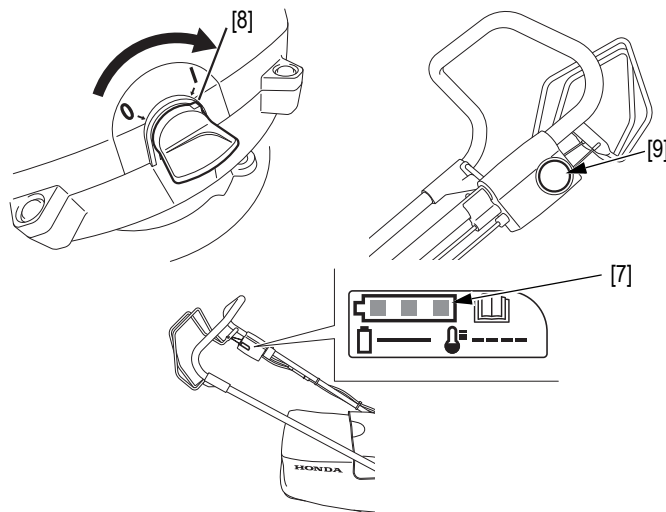
Ausbau:

1. Drehen Sie den Isolatorschlüssel in die Aus-Stellung (O) und ziehen Sie den Schlüssel vom Motor ab.
2. Drücken Sie den Öffnungshebel der Akkuabdeckung, um die Akkuabdeckung zu öffnen. Wenn die Abdeckung geöffnet wird, **löst sich der Akkusatz gleichzeitig vom Anschlusspunkt.**
3. Heben Sie den Akkusatz heraus.
4. Verschließen Sie die Akkuabdeckung sicher.

PRÜFUNG DES AKKUSTANDS

Der Akkustand lässt sich mit der Akkuanzeige [7] links am Lenker überprüfen.

1. Bauen Sie den Akkusatz im Gerät ein.
2. Stecken Sie den Isolatorschlüssel in den Motor und drehen Sie den Schlüssel auf EIN (I) [8].
3. Drücken Sie den gelben Knopf [9]. Die Batterieanzeige leuchtet auf.

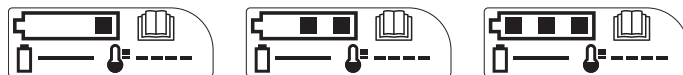


4. Die verbleibende Akkukapazität wird in 3 Stufen angezeigt.

Verhalten der Akkuanzeige-LEDs

- Die LEDs geben Auskunft über den Zustand des Akkusatzes und des Geräts.
- Bei installiertem Akku und eingeschaltetem Isolatorschlüssel leuchten die LEDs auf, wenn Sie den gelben Knopf oder das Stellteil für das Schneidwerkzeug drücken.
- Die LEDs leuchten circa 48 Sekunden lang.
- Bei laufendem Gerät leuchten die LEDs nicht.

Die LEDs zeigen den Zustand des Geräts und Akkusatzes wie folgt an.



1 LED ein

0% < Ladezustand ≤ 30%

2 LED ein

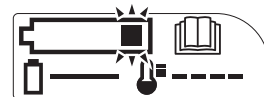
30% < Ladezustand ≤ 60%

3 LED ein

60% < Ladezustand ≤ 100%

1 LED blinkt

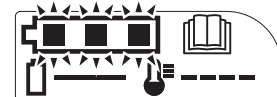
Ladezustand 0% = leer



3 LEDs blinken

Motor aufgrund von Überhitzung des Motors oder Akkusatzes abgeschaltet.

Drehen Sie den Isolatorschlüssel in die Aus-Stellung (O) und lassen Sie das Gerät 30 bis 60 Minuten abkühlen.



Laden Sie den Akkusatz, wenn der Akkustand niedrig ist.

Siehe beigefügte Anleitung zu Akkusatz und Ladegerät.

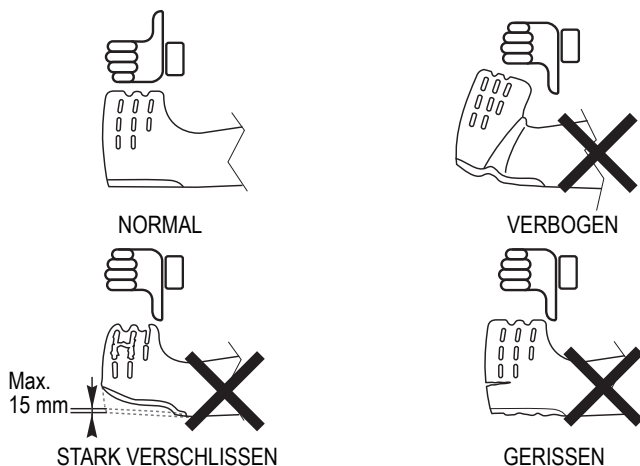
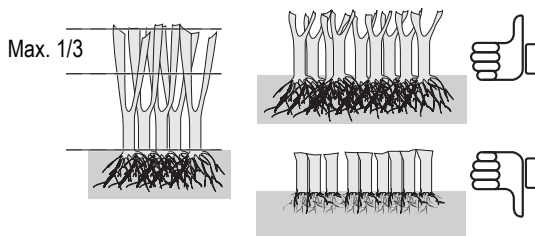
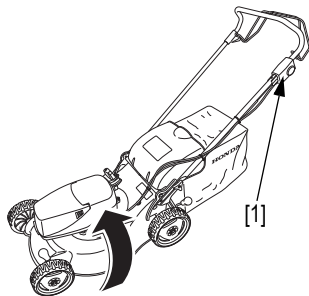
LADEN DES AKKUSATZES

Siehe beigefügte Anleitung zu Akkusatz und Ladegerät.

KONTROLLE DES SCHNEIDWERKZEUGS

Kontrollieren des Schneidwerkzeugs:

1. Stellen Sie sicher, dass der Isolatorschlüssel und der Akkusatz aus dem Gerät entfernt wurden.
 2. Kippen Sie das Gerät auf die rechte Seite, sodass die Seite mit dem gelben Knopf [1] oben ist.
- Überprüfen Sie, ob das Schneidwerkzeug Verschleißerscheinungen aufweist. Gegebenenfalls muss das Schneidmesser ersetzt werden, wenn die Löcher ineinander übergehen, ein Riss erkennbar ist oder es verbogen ist.



- Stellen Sie sicher, dass sich die Befestigungsschrauben des Schneidwerkzeugs nicht gelöst haben (siehe Kapitel "Wartung" auf Seite 11).
- Informationen zum Austauschen oder Entfernen des Schneidwerkzeugs finden Sie im Kapitel "Wartung" auf Seite 11.

! WARNUNG

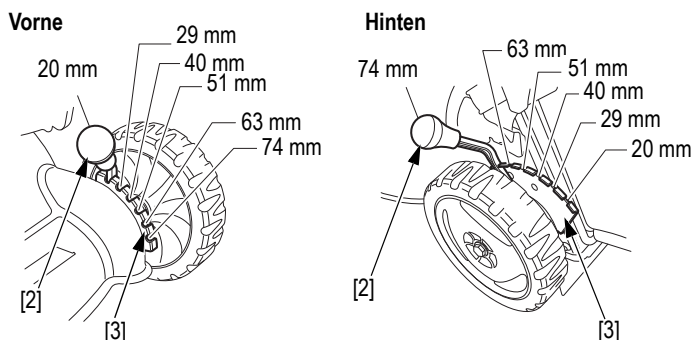
Betreiben Sie das Gerät niemals mit verschlissenem, beschädigtem, gerissenem oder verbeultem Schneidwerkzeug. Herausschleudernde Bruchstücke können sehr schwere Verletzungen verursachen.

HINWEIS: Auf Sandboden ist die Abnutzung des Schneidwerkzeugs besonders groß. Häufige Kontrolle des Schneidwerkzeugs ist unter diesen Einsatzbedingungen angebracht.

EINSTELLUNG DER SCHNITTHÖHE

Ändern der Schnitthöhe:

1. Entfernen Sie den Isolatorschlüssel und den Akkusatz oder bringen Sie den Isolatorschlüssel in die Aus-Stellung (O).
2. Ziehen Sie den Einstellhebel [2] zum Rad und positionieren Sie ihn in der Einstellkerbe [3]. Der Einstellhebel und die Einstellkerben befinden sich in der Nähe des linken Vorder- und Hinterrads.



Die Höhenangaben sind Anhaltswerte. Die tatsächliche Schnitthöhe variiert je nach Rasen und Bodenbeschaffenheit. Überprüfen Sie zur Auswahl der Schnitthöhe, wie der Rasen nach dem Mähen einer kleinen Fläche aussieht, und passen Sie die Schnitthöhe gegebenenfalls an.

HINWEIS:

- Schneiden Sie höchstens 1/3 der Anfangshöhe des Grases in einem Mähgang, da sonst braune Flecken entstehen. Der Schnitt ist so einheitlicher und Verstopfungen am Schneidwerkzeug und am Auswurfkanal werden vermieden.
- Wenn der Rasen zu hoch ist, mähen Sie mit der maximalen Schnitthöhe. Mähen Sie 2 bis 3 Tage später erneut.
- Die Graswurzelteufe verändert sich proportional zur Höhe der Grashalme, d. h. je kürzer Sie das Gras schneiden, desto weniger tief wachsen die Graswurzeln.
- Wählen Sie die Schnitthöhe entsprechend der Rasennutzung: für Freizeit und Sport: ab 5 cm, für Zierrasen: 1 bis 3 cm.
- Nur bestimmte Rasensorten vertragen einen Kurzschnitt. Ein zu kurz geschnittener Rasen ist empfindlich und trocknet leicht aus. Lassen Sie sich von einer Fachkraft beraten.

KONTROLLIEREN DES ANZUGSMOMENTS DER BEFESTIGUNGSSCHRAUBEN DES SCHNEIDWERKZEUGS

Siehe "EIN- UND AUSBAU DES SCHNEIDWERKZEUGS" (Seite 12).

KONTROLLIEREN DES ANTRIEBSKUPPLUNGSZUGS (NUR HRG466XB)

Siehe "PRÜFUNG DES ANTRIEBSKUPPLUNGSZUGS (NUR HRG466XB)" (Seite 11).

KONTROLLIEREN DES SEILZUGS DES SCHNEIDWERKZEUGS

Siehe "PRÜFUNG DES SEILZUGS FÜR DAS SCHNEIDWERKZEUG" (Seite 12).

KONTROLLIEREN DER MOTORKÜHLRIPPEN UND DER LAGE DES AKKUS

Siehe "REINIGUNG DER MOTORKÜHLRIPPEN UND DER LAGE DES AKKUS" (Seite 13).

KONTROLLIEREN DES ZUSTANDS DER MOTORDREHUNG

Stellen Sie sicher, dass es keine Fehlfunktion, kein ungewöhnliches Geräusch und keine auffällige Schwingung gibt, wenn Sie den Motor drehen und anhalten.

Sollte es eine Fehlfunktion, ein ungewöhnliches Geräusch oder eine auffällige Schwingung beim Motor geben, stoppen Sie den Motor sofort und wenden Sie sich an den Fachhändler.

KONTROLLIEREN DER UMGEBUNG DES GERÄTS

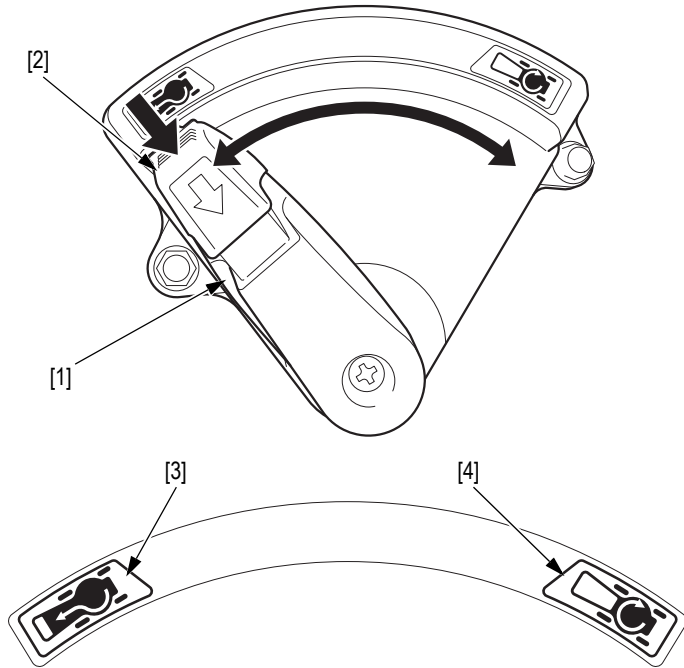
Überprüfen Sie die Umgebung des Geräts und entfernen Sie Schmutz, Gras oder andere Fremdkörper.

AUSWAHL DER MÄHART (NUR HRG466XB)

UMSCHALTUNG DES SCHNITTLITERS

Der Mähmodus kann über den Schnittleiter [1] umgeschaltet werden.

1. Lassen Sie das Stellteil für das Schneidwerkzeug und den Antriebskupplungshebel los.
2. Drücken Sie den Entriegelungsknopf [2] und drehen Sie den Schnittleiterhebel, um den Mähmodus auszuwählen.



- Position für Sammeln/rückseitigen Auswurf [3]: Der gesamte Grasschnitt wird auf der Rückseite des Geräts ausgeworfen; das Schnittgut wird nicht gehäckselt. Mit dem Schnittgutsammler wird das ausgeworfene Gras darin aufgefangen. Ohne Schnittgutsammler wird das Gras auf dem Boden ausgeworfen. Informationen zum Anbringen oder Entfernen des Schnittgutsammlers finden Sie auf [Seite 5](#).

- Häckselposition [4]: Der Grasschnitt wird nicht auf der Rückseite des Geräts ausgeworfen, sondern fein zerkleinert auf dem Rasen verteilt. Der so behandelte Grasschnitt wird zersetzt und bildet einen natürlichen Kompost, der bis zu einem Viertel des jährlichen Nährstoffbedarfs Ihres Rasens bereitstellt.

HINWEIS:

- Mulchen ist eine natürliche Düngemethode. Das gemähte Gras wird nicht im Schnittgutsammler aufgefangen, sondern fein zerkleinert auf dem Rasen verteilt.
- Darüber hinaus schützt Mulchen den geschnittenen Rasen, verringert die Wasserverdunstung in Hitzeperioden und macht das Sammeln des Schnittguts überflüssig.

RÜCKSEITIGER AUSWURF

Wenn Sie den Grasschnitt nicht auffangen möchten, können Sie das Gerät ohne Schnittgutsammler in der Häckselposition [3] verwenden. Das ausgeworfene Gras wird dann über die Auswurfabdeckung zum Boden gelenkt.



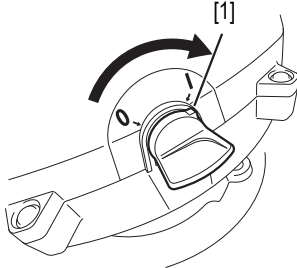
MÄHEN

HRG416XB und HRG466XB haben einen batteriebetriebenen Motor. Wenn Sie das Stellteil für das Schneidwerkzeug und den gelben Knopf gleichzeitig drücken, laufen Motor und Schneidwerkzeug sofort an.

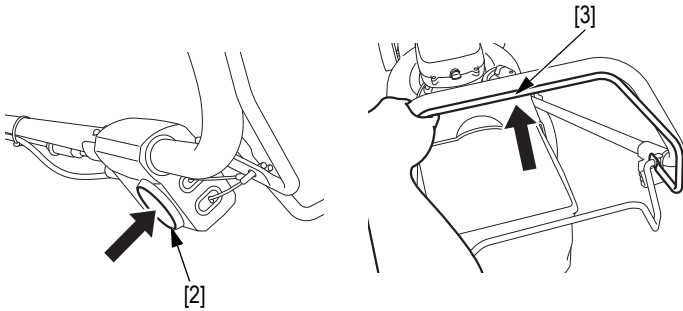
DREHEN DES SCHNEIDWERKZEUGS

Stellen Sie sicher, dass der geladene Akkusatz im Gerät eingebaut ist (Seite 6).

1. Stecken Sie den Isolatorschlüssel in den Motor und drehen Sie den Schlüssel auf EIN (I) [1].



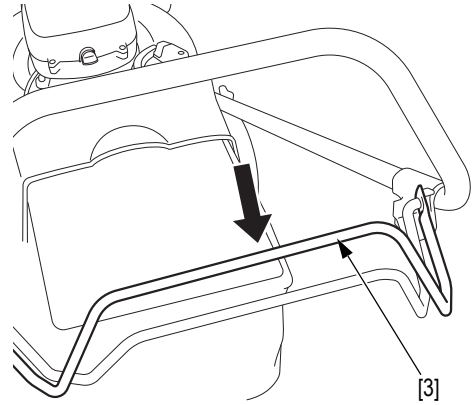
2. Während Sie den gelben Knopf [2] gedrückt halten, drücken Sie das Stellteil für das Schneidwerkzeug [3]. Das Schneidwerkzeug beginnt sich zu drehen.



3. Lassen Sie den gelben Knopf los. Halten Sie das Stellteil für das Schneidwerkzeug, damit sich das Schneidwerkzeug weiterdreht.

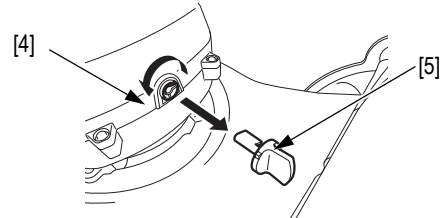
ANHALTEN DES SCHNEIDWERKZEUGS

1. Lassen Sie das Stellteil für das Schneidwerkzeug [3] los. Das Schneidwerkzeug hält an.



Wenn Sie das Gerät stehen lassen, die Arbeit beenden oder Ähnliches, führen Sie den folgenden Schritt durch.

2. Drehen Sie den Isolatorschlüssel in die Aus-Stellung (O) [4] und ziehen Sie den Isolatorschlüssel [5] vom Motor ab.



Entfernen Sie bei Bedarf den Akkusatz (Seite 6).

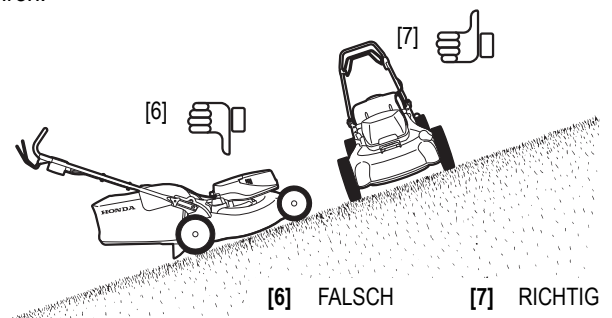
EMPFEHLUNGEN FÜR DEN BETRIEB

⚠️ WARNUNG

Auf unebenem oder unregelmäßigem Untergrund ist besondere Vorsicht geboten. Das Gerät kann umkippen und das Schneidwerkzeug kann zuvor nicht bemerkte Gegenstände ausschleudern. Halten Sie die 4 Räder fest auf dem Boden. Führen Sie das Gerät am Lenker. Drücken Sie nicht mit dem Fuß auf die Schneidwerkzeugabdeckung.

VORSICHT:

- Beim Umfahren von Hindernissen genügend Abstand zum Schneidwerkzeug halten. Das Gerät niemals direkt über einen Gegenstand führen.
- Beim Mähen an unebenen Stellen nicht das Gerät das Tempo bestimmen lassen. Lenker gut festhalten und das Gerät sicher führen.



MÄHVORGANG

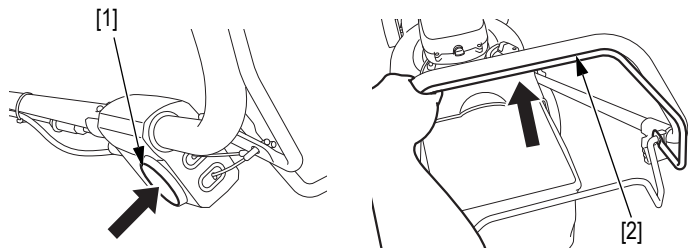
Lesen Sie die Sicherheitshinweise, bevor Sie mit dem Mähen beginnen.

Bei Verwendung des Radantriebs (nur HRG466XB):

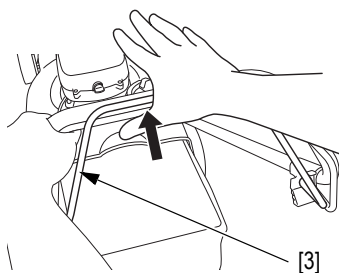
⚠️ WARNUNG

Lassen Sie zum Einkuppeln des Stellteils für das Schneidwerkzeug immer den Antriebskupplungshebel los. Bei eingekuppelter Antriebskupplung bewegt sich das Gerät beim Starten des Motors.

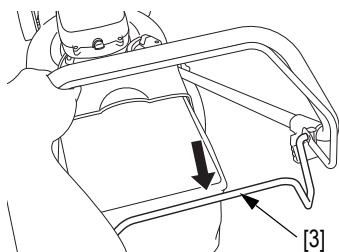
1. Starten Sie den Motor und kuppeln Sie das Schneidwerkzeug ein.
 - Während Sie den gelben Knopf [1] gedrückt halten, drücken Sie das Stellteil für das Schneidwerkzeug [2]. Das Schneidwerkzeug beginnt sich zu drehen.



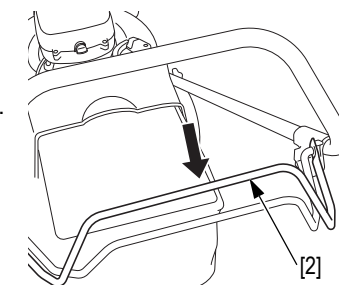
2. Drücken Sie den Antriebskupplungshebel vollständig durch.



3. Anhalten des Geräts.
 - Lassen Sie den Antriebskupplungshebel los.



4. Anhalten des Schneidwerkzeugs.
 - Das Stellteil für das Schneidwerkzeug loslassen.

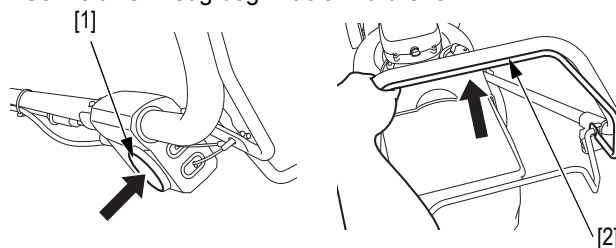


Von Hand schieben, um das Gerät zu bewegen (alle Typen):

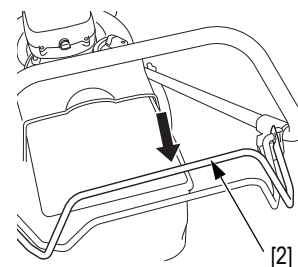
⚠️ WARNUNG

Lassen Sie zum Einkuppeln des Stellteils für das Schneidwerkzeug immer den Antriebskupplungshebel los. Bei eingekuppelter Antriebskupplung bewegt sich das Gerät beim Starten des Motors.

1. Starten Sie den Motor und kuppeln Sie das Schneidwerkzeug ein.
 - Während Sie den gelben Knopf [1] gedrückt halten, drücken Sie das Stellteil für das Schneidwerkzeug [2]. Das Schneidwerkzeug beginnt sich zu drehen.



2. Schieben Sie den Lenker von Hand, um zu mähen.



3. Anhalten des Schneidwerkzeugs.
 - Das Stellteil für das Schneidwerkzeug loslassen.

HINWEIS: Die Antriebsfunktion kann beim Mähen auf kleinen Flächen (Wege, Ränder usw.) auch abgeschaltet werden.

HINWEIS: Die geschnittene Fläche (Akkulaufzeit) ist abhängig von Rasenbedingungen, Grasdichte, Feuchtigkeit, Graslänge und Schnitthöhe.

Häufiges Ein- und Ausschalten des Geräts während des Schneidens verringert ebenfalls die geschnittene Fläche (Akkulaufzeit).

Um die geschnittene Fläche (Akkulaufzeit) zu vergrößern, wird empfohlen, häufiger zu mähen, eine höhere Schnitthöhe einzustellen und den Landantrieb bei normaler Schrittgeschwindigkeit zu nutzen.

Dieses Modell ist mit einer Hitzeschutzvorrichtung ausgestattet.

- Funktion: Schutz vor Überhitzung und Schäden am Motor aufgrund von unsachgemäßem Betrieb.
- Auslösen der Schutzvorrichtung: Bei Überlastung des Geräts wird die Energieversorgung des Motors sofort ausgeschaltet.

Vorgehensweise bei ausgelöster Schutzvorrichtung:

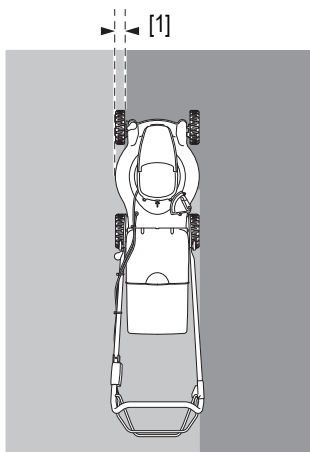
- Lassen Sie den gelben Knopf los.
- Entfernen Sie den Akkusatz.
- Prüfen Sie, warum das Problem auftrat und beheben Sie es: Schnitthöhe zu hoch (Gras zu hoch und/oder dicht), Hindernis, welches die freie Drehung des Schneidwerkzeugs verhindert usw.
- Lassen Sie das Gerät in einer kühlen Umgebung abkühlen (30 bis 60 Minuten).

Vorsichtsmaßnahmen beim Neustart des Geräts:

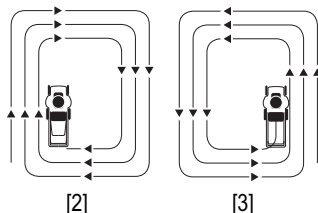
- Entfernen Sie den Akkusatz.
- Stellen Sie sicher, dass sich das Schneidwerkzeug frei bewegen kann (mit Schutzhandschuhen).
- Prüfen Sie die Sicherheitsbedingungen in der Umgebung (Gegenstände auf dem Rasen, Personen oder Tiere in der Nähe).
- Installieren Sie den Akkusatz.
- Drücken Sie den gelben Knopf.
- Lassen Sie das Gerät wieder an und bestätigen Sie, dass das Problem nicht mehr auftritt. Wenden Sie sich an Ihren Fachhändler, falls das Problem noch immer auftritt.

HINWEIS:

- Wie oft sollten Sie mähen?
Einmal pro Woche bei einem Freizeitrasen, zweimal pro Woche bei einem Zierrasen.
- Mähen Sie vorzugsweise nachmittags oder abends vor dem Sprengen des Rasens, da das Gras trocken sein muss. Sollte zu viel Staub aufgewirbelt werden, mähen Sie, wenn das Gras trocken, der Boden jedoch noch feucht ist.
- Wählen Sie die Schnitthöhe entsprechend der Rasennutzung (siehe Seite 7).
- Für einen gleichmäßigen Schnitt sollten Sie das Gerät mit einer Überlappung von einigen Zentimetern zur bereits gemähten Bahn führen [1]. Vergrößern Sie bei hoher Schnitthöhe diese Überlappungszone.
- Um ein optimales Ergebnis zu erzielen, halten Sie sich an den empfohlenen Mähweg.
- Wenn Ihr Mähgebiet keine regelmäßige Form hat oder viele Hindernisse aufweist, teilen Sie es in Teilstücke auf, die Sie in der empfohlenen Richtung mähen können.



- [2] Mit Schnittgutsammler:
Mähen Sie für ein optimales Ergebnis im Uhrzeigersinn.
- [3] Mit Mulching-Funktion (nur HRG466XB): Mähen Sie gegen den Uhrzeigersinn.



AUSLEEREN DES SCHNITTGUTSAMMLERS

Wenn der Schnittgutsammler voller wird, macht sich dies durch nachlassende Leistung beim Sammeln des Schnittguts bemerkbar (Geräuschänderung des Geräts und nachlassende Aufblähung durch den Mähwind).

HRG466XB:

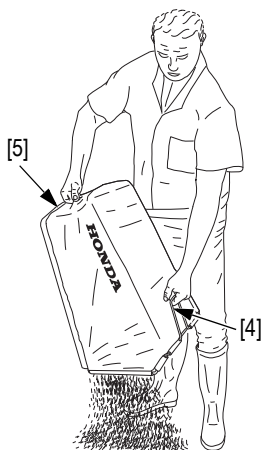
1. Das Stellteil für das Schneidwerkzeug und den Antriebskupplungshebel los lassen.

HRG416XB:

1. Das Stellteil für das Schneidwerkzeug loslassen.

Alle Modelle:

2. Schnittgutsammler abnehmen (siehe Seite 5).
3. Den Schnittgutsammler leeren:
 - Schnittgutsammler am Metallbügel [4] halten.
 - Schnittgutsammler [5] fassen und durch leichtes Schütteln ausleeren.



VORSICHT:

- Zur Verminderung von Brandgefahr niemals Grasschnitt oder Laub im Schnittgutsammler belassen oder in einem Gebäude bzw. in der Nähe von Gebäuden liegen lassen. Bei der Zersetzung von Grasschnitt kommt es zu einem starken Temperaturanstieg.

⚠️ WARNUNG

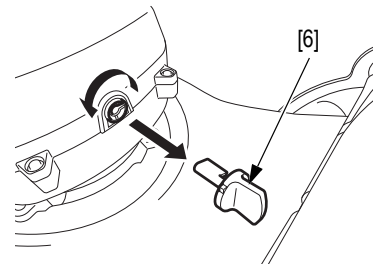
Vor Gebrauch prüfen, ob die Auswurfabdeckung des Schnittgutsammlers richtig angebracht ist.

WARTUNG

Durch eine regelmäßige Wartung tragen Sie zu einer langen Lebensdauer Ihres Geräts bei.

⚠️ WARNUNG

Stellen Sie das Gerät zur Ausführung dieser Arbeiten auf stabilen und ebenen Untergrund. Der Isolatorschlüssel [6] und der Akkusatz müssen aus dem Gerät entfernt worden sein.



HINWEIS: Die lange Lebensdauer und gute Leistungsfähigkeit Ihres Geräts werden dadurch sichergestellt, dass Sie die Unterseite des Geräts sauber und grasfrei halten. Entfernen Sie den Grasschnitt mit Hilfe von Drahtbürste und Schaber. Nach Gebrauch muss das Gerät gründlich gereinigt werden, bevor es verstaut wird.

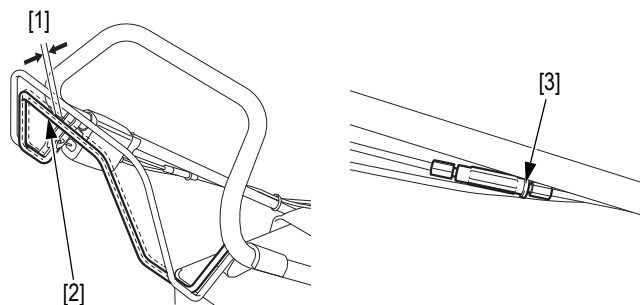
PRÜFUNG DES ANTRIEBSKUPPLUNGSZUGS (NUR HRG466XB)

Wenn das Spiel außerhalb des Grenzbereichs liegt, passen Sie den Seilzug an.

Spiel: innerhalb von 1 bis 5 mm

Wenn das Spiel außerhalb des Grenzbereichs liegt, passen Sie den Seilzug an.

1. Lösen Sie die Kontermutter [3].
2. Lockern oder spannen Sie den Seilzug je nach Bedarf, um ein Spiel [1] von 1 bis 5 mm zu erhalten.
3. Ziehen Sie die Kontermutter [3] wieder an und überprüfen Sie das Spiel [1] erneut.
4. Starten Sie den Motor. Drücken Sie den Antriebskupplungshebel und lassen Sie ihn los. Prüfen Sie, ob das Gerät richtig startet und stoppt.

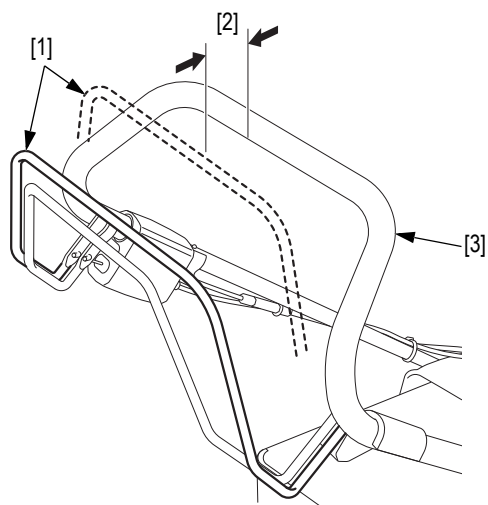


HINWEIS: Wenn die Kupplung auch bei korrekt eingestelltem Seilzug nicht richtig einrastet, muss das System unter Umständen repariert werden. Bringen Sie das Gerät zu Ihrem Fachhändler.

PRÜFUNG DES SEILZUGS FÜR DAS SCHNEIDWERKZEUG

Der Motor muss ein- oder ausgeschaltet werden, wenn sich das Stellteil für das Schneidwerkzeug [1] innerhalb des vorgegebenen Abstands [2] befindet.

Vorgegebener Abstand: zwischen 30 und 60 mm vom Griff [3].



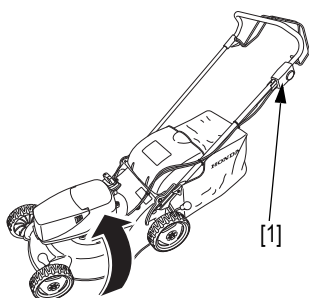
HINWEIS: Wenn der Motor außerhalb des vorgegebenen Abstands ein- oder ausgeschaltet wird, muss das System ggf. repariert werden. Bringen Sie das Gerät zu Ihrem Fachhändler.

EIN- UND AUSBAU DES SCHNEIDWERKZEUGS



AUSBAU DES SCHNEIDWERKZEUGS

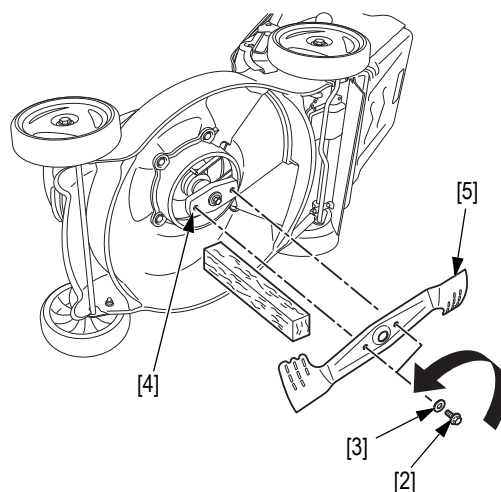
1. Stellen Sie sicher, dass der Isolatorschlüssel und der Akkusatz aus dem Gerät entfernt wurden.
2. Kippen Sie das Gerät, sodass die Seite mit dem gelben Knopf [1] oben ist.



3. Bauen Sie mit einem 14-mm-Steckschlüssel die 2 Schrauben des Schneidwerkzeugs [2] und die Spezialunterlegscheiben [3] aus dem Schneidwerkzeughalter [4] aus.

Verhindern Sie beim Lösen der Schrauben mit einem Holzklötz, dass sich das Schneidwerkzeug dreht.

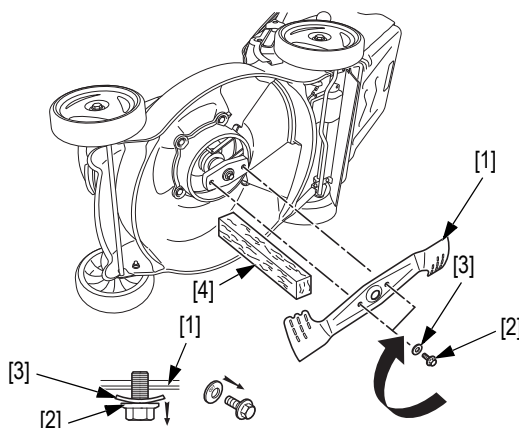
4. Entfernen Sie das Schneidwerkzeug [5].



EINBAU DES SCHNEIDWERKZEUGS

1. Schmutz und Gras im Montagebereich des Schneidwerkzeugs beseitigen.
2. Das Schneidwerkzeug [1] mit den 2 Schrauben [2] und Spezialunterlegscheiben [3] wie abgebildet montieren.

Anzugsdrehmoment für Schraube des Schneidwerkzeugs: 54 N·m



Die Spezialunterlegscheiben mit der konvexen Seite (gekennzeichnet mit "OUT") Richtung Schraubenkopf auf die Schraube setzen.

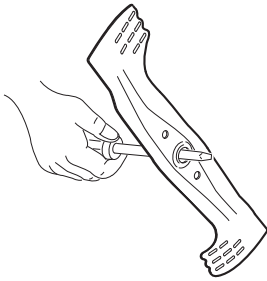
Die Befestigungsschrauben der Schneidwerkzeug sind speziell für diese Anwendung konzipiert und dürfen nicht durch andere Schrauben ersetzt werden.

3. Die Schrauben des Schneidwerkzeugs mit einem Drehmomentschlüssel anziehen. Dabei mit einem Holzklötz [4] verhindern, dass sich das Schneidwerkzeug dreht.

VORSICHT:

- Wenn Sie selbst keinen Drehmomentschlüssel besitzen, wenden Sie sich an Ihren Fachhändler, damit dieser vor der weiteren Benutzung des Geräts die Schrauben des Schneidwerkzeugs anzieht.
- Wenn die Schrauben zu locker sitzen, können sie sich im Betrieb von selbst lösen. Zu stark angezogene Schrauben können hingegen abbrechen.

AUSTAUSCH DES SCHNEIDWERKZEUGS



VORSICHT:

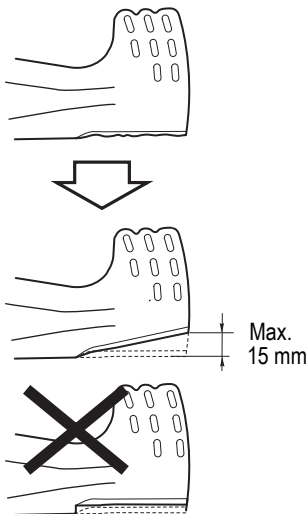
- Die Auswuchtung des Schneidwerkzeugs ist entscheidend für eine gute Leistung des Geräts. Schneidwerkzeuge mit Beschädigungen oder Unwucht sind auszuwechseln.
- Verwenden Sie nur originale Honda-Ersatzschneidwerkzeuge.

SCHLEIFEN DES SCHNEIDWERKZEUGS

VORSICHT:

- Um eine Zustandsverschlechterung des Schneidwerkzeugs und damit Unwucht oder eine schlechte Schnittqualität zu verhindern, sollten Sie das Messer bei einem Fachhändler schärfen lassen.

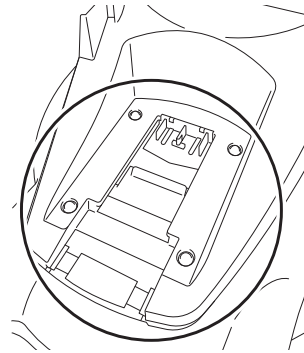
1. Die Schnittkanten des Schneidwerkzeugs mit einer Feile schleifen. Nur die Oberseite bearbeiten. Den ursprünglichen Schleifwinkel beibehalten, um eine scharfe Schnittkante zu erhalten. Beide Enden gleichmäßig schleifen, damit das Schneidwerkzeug ausgewuchtet bleibt.
2. Nach dem Schleifen die Auswuchtung des Schneidwerkzeugs wie oben dargestellt mit einem Schraubendreher prüfen. Wenn eine Seite leicht unter die Horizontale sinkt, muss diese Seite nachgeschliffen werden. Das Schneidwerkzeug ist auszuwechseln, wenn die Unwucht zu groß ist.



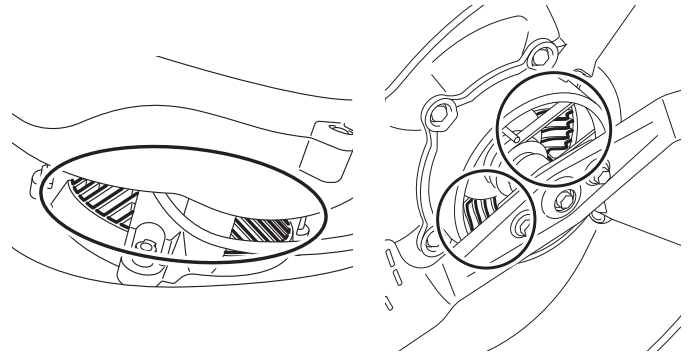
REINIGUNG DER MOTORKÜHLRIPPEN UND DER LAGE DES AKKUS

1. Reinigen Sie die Motorkühlrippen und den Akkumontagebereich mit einer weichen, trockenen Bürste, wie es die Abbildung zeigt.

Lage des Akkus



Motorkühlrippen



AUSTAUSCH UND REINIGUNG DES SCHNITTGUTSAMMLERS

REINIGUNG DES STOFFBEUTELS FÜR DEN SCHNITTGUTSAMMLER

VORSICHT:

- Durch die Reinigung bei Hochdruck oder mit einem Dampfstrahler kann der Stoff des Schnittgutsammlers beschädigt werden.
- Ist das Gewebe verstopft, kann das Gras nicht im Stoffbeutel des Schnittgutsammlers aufgefangen werden.
- Zur Reinigung des Stoffbeutels empfiehlt es sich, den Stoff mit einem Wasserstrahl von außen abzuspritzen. Vor einer erneuten Verwendung muss der Stoffbeutel des Schnittgutsammlers komplett trocken sein. Bei nassem Stoff kommt es schneller zum Verstopfen des Schnittgutsammlers.



⚠️ WARNUNG

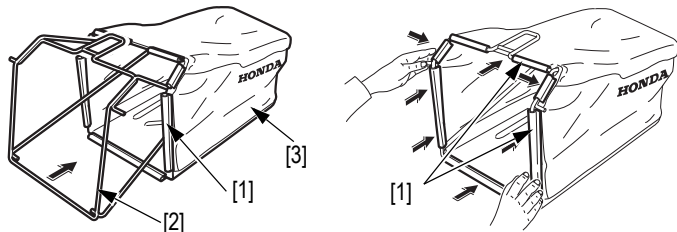
Vom Schneidwerkzeug aufgewirbelte Gegenstände können durch ein Loch oder andere Beschädigungen aus dem Schnittgutsammler geschleudert werden.

Vom Schneidwerkzeug aufgewirbelte Gegenstände können zu schweren Verletzungen führen. Ein gerissener oder beschädigter Schnittgutsammler ist stets auszuwechseln.

AUSTAUSCH DES STOFFBEUTELS FÜR DEN SCHNITTGUTSAMMLER

Auch bei normalem Betrieb nutzt sich der Stoffbeutel des Schnittgutsammlers im Lauf der Zeit ab. Kontrollieren Sie regelmäßig, ob er nicht ausgefranst oder gerissen ist. Ersetzen Sie den beschädigten Stoffbeutel des Schnittgutsammlers durch ein Honda-Originalteil.

1. Die Plastikklappen [1] des verschlissenen Stoffbeutels [3] lösen und den Rahmen des Schnittgutsammlers [2] entnehmen.
2. Rahmen in den neuen Stoffbeutel des Schnittgutsammlers einführen und die Plastikklappen [1] wieder schließen.



REINIGUNG

Stellen Sie vor einem Transport oder einer Einlagerung des Geräts sicher, dass es sauber und frei von Rückständen ist. Reinigen Sie es bei Bedarf mit einer weichen trockenen Bürste oder einem Lappen.

Reinigen Sie den Schnittgutsammler mit Wasser aus einem Schlauch. Verwenden Sie keinen Hochdruckreiniger. Reinigen Sie das Gerät nicht mit Reinigungsmittel.

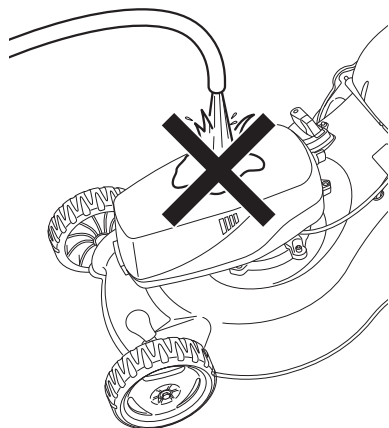
Durch die Reinhaltung der Unterseite des Geräts lässt sich die Leistung verbessern.

Halten Sie den Bereich um den Akkusatz sauber.

Achten Sie darauf, dass das System zur Befestigung und zum Anschluss des Akkusatzes frei von Schmutz und Grasschnitt ist.

Verwenden Sie kein Druckwasser und achten Sie darauf, dass der Motor und die elektrischen Bauteile nicht nass werden.

Reinigen Sie das Fahrgestell nicht mit scharfen Mitteln.



WARTUNGSPLAN

REGELSERVICEZEIT (3)		Bei jeder Nutzung	Alle 100 Betriebsstunden oder jährlich	Alle 150 Betriebsstunden oder zweijährlich	Siehe Seite
In jedem angegebenen Monat oder Betriebsstundenintervall durchführen, je nachdem, was zuerst eintritt.					
Anzugsdrehmoment für Schrauben des Schneidwerkzeugs	Prüfen	•			12
Schneidwerkzeug (Deformation/Beschädigung)	Prüfen	•			7
Schnittgutsammler	Prüfen	•			5,11,14
Antriebskupplungszug (nur HRX466XB)	Prüfen	•			11
	Einstellen		•(1)		-
Seilzug für das Schneidwerkzeug	Prüfen	•			12
Antriebsriemen	Prüfen			•(1)(2)	-
Ratsche (nur HRX466XB)	Schmieren		•(2)		-
Motorkühlrippen	Reinigen	•			13
Lage des Akkus	Reinigen	•			13
Drehzustand des Motors	Prüfen	•			7
Gesamtgerät (außen)	Prüfen	•			7

- (1) Bei Bedarf auswechseln.
- (2) Diese Teile müssen von Ihrem Fachhändler gewartet werden, es sei denn, Sie haben das richtige Werkzeug und sind mechanisch versiert. Informationen zu den Wartungsarbeiten finden Sie im Honda-Werkstatthandbuch.
- (3) Falls Sie das Gerät gewerblich nutzen, protokollieren Sie die Betriebsstunden, um die richtigen Wartungsintervalle festzulegen.

FEHLERSUCHE

GERÄT LÄSST SICH NICHT BETREIBEN

Mögliche Ursache	Korrektur
Akkusatz entladen.	Laden Sie den Akkusatz.
Isolatorschlüssel nicht vollständig in Position.	Stellen Sie sicher, dass der Isolatorschlüssel ganz auf EIN (I) gestellt ist.
Akkusatz nicht vollständig eingefügt.	Fügen Sie den Akkusatz vollständig ein.
Akkusatz zu heiß/kalt.	Lassen Sie den Akkusatz aufwärmen/abkühlen – prüfen Sie die LED-Akkuanzeige.
Fehlerhafter Akkusatz.	Ersetzen Sie den Akkusatz durch einen neuen.

GERÄT FUNKTIONIERT UNREGELMÄSSIG

Mögliche Ursache	Korrektur
Innere Verkabelung des Produkts beschädigt.	Wenden Sie sich an Ihren Fachhändler.
Hitzeschutz von Motor/Elektronik wurde aktiviert.	Lassen Sie den Motor und die Elektronik abkühlen und erhöhen Sie die Schnitthöhe.
Äußere Seilzüge beschädigt.	Wenden Sie sich an Ihren Fachhändler.

MOTOR STARTET UND STOPPT SOFORT WIEDER

Mögliche Ursache	Korrektur
Akkusatz nicht vollständig geladen.	Prüfen Sie die Akkusatzanzeige und laden Sie den Akkusatz bei Bedarf.
Isolatorschlüssel nicht vollständig in Position.	Stellen Sie sicher, dass der Isolatorschlüssel ganz auf EIN (I) gestellt ist.
Akkusatz nicht vollständig eingefügt.	Fügen Sie den Akkusatz vollständig ein.
Hartes langes Gras um Schneidwerkzeug gewickelt.	Schalten Sie den Isolatorschlüssel aus und machen Sie das Schneidwerkzeug frei.
Akkusatz zu heiß/kalt.	Lassen Sie den Akkusatz aufwärmen/abkühlen – prüfen Sie die LED-Akkuanzeige.

GESCHNITTENE FLÄCHE (AKKULAUFZEIT) NICHT GROSS GENUG

Mögliche Ursache	Korrektur
Schnitthöhe zu niedrig.	Stellen Sie eine höhere Schnitthöhe ein.
Gras zu hoch.	Stellen Sie eine höhere Schnitthöhe ein.
Gras ist dicht.	Stellen Sie eine höhere Schnitthöhe ein oder mähen Sie häufiger.
Akkusatz hat Ende der Lebensdauer erreicht.	Ersetzen Sie den Akkusatz durch einen neuen.
Niedriger Akkustand.	Stellen Sie vor dem Betrieb sicher, dass der Akkusatz vollständig geladen ist.

PROBLEME BEIM MÄHEN UND MIT DEM SCHNITTGUTSAMMLER

Mögliche Ursache	Korrektur
Gerät fährt zu schnell oder Gras ist zu hoch oder zu dicht.	Fahren Sie langsamer oder erhöhen Sie die Schnitthöhe.
Geschwindigkeit des Geräts für Rasenbedingungen zu hoch.	Wenden Sie sich an Ihren Fachhändler. (außer Gerät im Handbetrieb)
Schnittgutsammler voll oder verstopft.	Den Schnittgutsammler leeren. Den Schnittgutsammler waschen, falls er schmutzig ist (Seiten 11 und 14).
Mähwerk ist verstopft.	Das Mähwerk reinigen (Seite 12).
Schneidwerkzeug stumpf, abgenutzt oder beschädigt.	Das Schneidwerkzeug nachschleifen oder ggf. austauschen (Seite 13).
Falsches Schneidwerkzeug eingebaut.	Das richtige Schneidwerkzeug einbauen (Seiten 12).

VIBRATIONEN

Mögliche Ursache	Korrektur
Schneidwerkzeug ist lose, verbogen, beschädigt oder hat durch unsachgemäßes Schleifen Unwucht.	Lockere Schrauben des Schneidwerkzeugs festziehen. Ist das Schneidwerkzeug verbogen oder beschädigt, das Gerät zur Inspektion zu Ihrem Fachhändler bringen (Seite 13).
Mechanischer Defekt, z. B. verbogene Motorwelle.	Diese Wartungsarbeiten sind von einem Fachhändler auszuführen.

EINLAGERUNG

VORBEREITUNG ZUR EINLAGERUNG DES GERÄTS

Stellen Sie sicher, dass der Isolatorschlüssel und der Akkusatz aus dem Gerät entfernt wurden, bevor Sie es einlagern.

Eine korrekte Lagerung ist für eine lange Lebensdauer des Produkts entscheidend. Wenn möglich, vermeiden Sie Lagerplätze mit hoher Feuchtigkeit, die Rost oder Korrosion verursachen kann.

Lagerung am Saisonende:

- Entfernen Sie den Akkusatz und lagern Sie sowohl das Gerät als auch den Akkusatz an einem trockenen und sicheren Ort ohne direkte Sonneneinstrahlung.
- Legen Sie keine Objekte auf dem Gerät ab.
- Reinigen Sie das Produkt vor einer längeren Lagerung gründlich.

HINWEIS: Siehe beigefügte Anleitung zum Vorgehen bei der Lagerung des Akkusatzes.

TRANSPORT

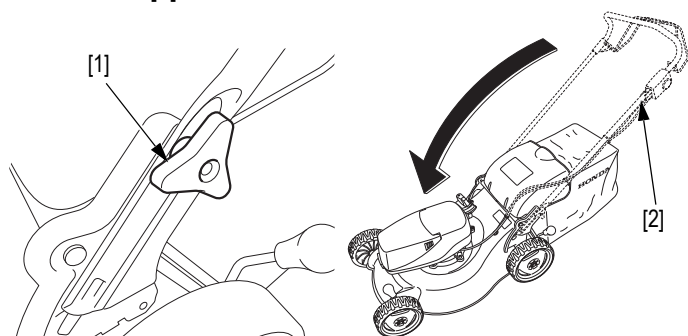
TRANSPORT DES GERÄTS

⚠️ WARNUNG

Stellen Sie sicher, dass der Isolatorschlüssel und der Akkusatz aus dem Gerät entfernt wurden, bevor Sie es transportieren oder den Lenker umklappen.

Zum einfacheren Transport:

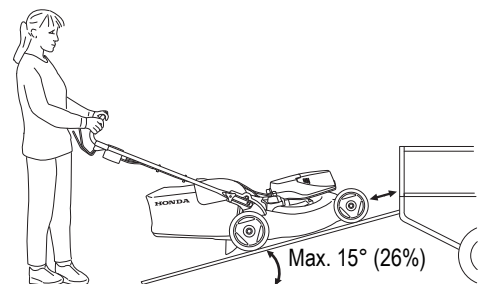
1. Schnittgutsammler abnehmen (siehe Seite 5).
2. Drehen Sie die Lenkerbefestigungsknöpfe [1] und klappen Sie den Lenker [2] zurück.



HINWEIS:

Überprüfen Sie beim Zusammenklappen des Griffs, dass die Kabel nicht geknickt, verdreht, gedehnt oder gequetscht werden.

VERLADEN DES GERÄTS



VORSICHT:

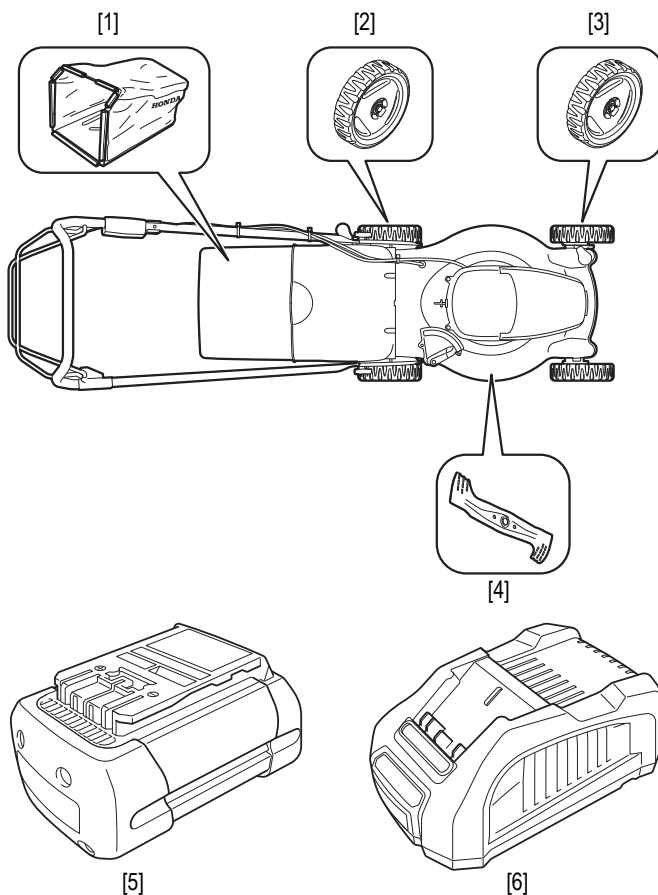
- Beim Auf- und Abladen des Geräts nicht dessen Radantrieb nutzen, da dies zum Kontrollverlust über das Gerät und zu Beschädigungen daran führen kann.
- Beim Rückwärtsrollen des Geräts Kupplung nicht einlegen, da es zu Beschädigungen am Radantrieb kommen kann.
- Gerät nur horizontal und auf allen vier Rädern stehend transportieren.
- Laderampe benutzen oder Helfer zum Einladen herbeiholen.
- Neigung der Laderampe darf nicht größer als 15° (26%) sein.
- Nach dem Einladen Keile unter die Räder schieben und Gerät mit Transportgurten gegen Verrutschen sichern.
- Die Transportgurte dürfen folgende Teile des Geräts nicht berühren: Antriebskupplungshebel, Stellteil für das Schneidwerkzeug und Seilzüge.

PRAKTISCHE HINWEISE

VERTRAGSHÄNDLER IN IHRER NÄHE

Besuchen Sie unsere europäische Internetseite:

<http://world.honda.com/>



STANDARDTEILE, SONDERAUSSTATTUNG UND VERBRAUCHSZUBEHÖR

Wenden Sie sich an Ihren Fachhändler, um eines der Originalteile der nachstehenden Liste oder andere Teile zu erwerben.

	HRG416XB	HRG466XB		
Standardteile				
[1]	Schnittgutsammler	81320-VH3-R11	81320-VH4-R11	Schnittgutsammler ohne Rahmen geliefert
[2]	Hinterrad	42710-VH3-R10	42710-VH3-R20	
[3]	Vorderrad	44710-VH3-R10		
[4]	Standardmäßiges Schneidwerkzeug	72511-VH3-R90	72511-VH4-R90	Drehmomentschlüssel notwendig
[5]	Akkusatz	DP3640XA (Standard 4A) DP3660XA (Standard 6A) DPW3660XA (Allwetterversion 6A) DPW3690XA (Allwetterversion 9A)		
[6]	Ladegerät	CV3680XA		

⚠️ WARNUNG

Zu Ihrer Sicherheit ist es strengstens untersagt, andere als die oben aufgeführten Teile zu verwenden. Diese wurden speziell für das Modell und den Typ Ihres Geräts entwickelt.

TECHNISCHE DATEN

MODELL	HRG416XB		HRG466XB	
TYPEN	PEEA	PEUA	SEEA	SEUA
ALLGEMEINE DATEN				
Codebezeichnung	MCEF		MCDF	
Funktion	Gras schneiden			
Abmessungen L x B x H	mm	1 415 x 453 x 980	1 470 x 497 x 980	
Gewicht (*)	kg	23	27	
Spurweite vorne/hinten	mm	369 / 395	419 / 439	
Schnittbreite	cm	41	46	
Schnitthöhenverstellung	mm	6 Stellungen (20 bis 74 mm)		
Durchmesser Hinter-/Vorderrad	mm	178 / 212		
Fassungsvermögen Schnittgutsammler	ℓ	42	50	
Schalldruckpegel am Ohr des Bedieners (gemäß EN60335-2-77:2010)	dB(A)	79	-	80,2
Messunsicherheit	dB(A)	1,00	-	1,00
Gemessener Schalleistungspegel (gemäß den Richtlinien 2000/14/EG, 2005/88/EG)	dB(A)	88,76	-	90,63
Messunsicherheit	dB(A)	0,65	-	1,41
Garantierter Schalleistungspegel (gemäß den Richtlinien 2000/14/EG, 2005/88/EG)	dB(A)	89	-	92
Schwingungsprüfung (gemäß EN60335-2-77:2010)(**)	m/s ²	1,07	-	1,33
Messunsicherheit	m/s ²	0,56	-	0,51
MOTOR				
Typ	3-PHASEN-GLEICHSTROM BÜRSTENLOS			
Max. Abgabeleistung	W	1 000	1 800	
Drehzahl ohne Last (mit Schneidwerkzeug)	min ⁻¹ (U/min)	2 900 ± 40	2 800 ± 40	
FAHRANTRIEB				
Typ	-		1 Starres Einganggetriebe	
Antriebsseite	-		Keilriemen	
Anzahl an Gängen	-		Eingängig	
Fahrgeschwindigkeit	m/s	-	0,89	
Schmierung	-		Ölsumpf mit Schleuderschmierung	
Empfohlenes Öl	-		10W40	
Ölkapazität	cm ³	-	65	

(*) Ohne Akku.

(**) Werte für ein Gerät mit Schnittgutsammler in der Stellung zum Auffangen von Schnittgut.

INTRODUZIONE

Grazie per avere acquistato un rasaerba Honda alimentato a batterie e per la fiducia accordataci.

Il presente manuale è stato redatto per consentirle di familiarizzare con la macchina, in modo da utilizzarla nelle migliori condizioni possibili e assicurarne la perfetta manutenzione.

Desideriamo che lei possa trarre il massimo vantaggio dalle innovazioni tecnologiche, da nuovi materiali e attrezzature nonché dalla nostra esperienza. A tale scopo i nostri modelli vengono regolarmente migliorati. Pertanto, le specifiche e le informazioni contenute nel presente manuale potranno subire variazioni senza obbligo di preavviso e di aggiornamento.

Le illustrazioni contenute in questo manuale si riferiscono al modello più rappresentativo per l'argomento trattato.

Le altre illustrazioni, comuni a tutti i tipi, sono basate sul modello HRG466XB.

In caso di problemi, o comunque per qualsiasi domanda riguardo la macchina, contattare un centro assistenza autorizzato.

Le suggeriamo di conservare il presente manuale a portata di mano in modo da poterlo consultare in ogni momento. Qualora lei intenda rivendere la macchina, si accerti di fornire all'acquirente anche il manuale.

La invitiamo a leggere la garanzia per prendere visione dei diritti e delle responsabilità dell'utente. La garanzia è costituita da un documento separato fornito dal rivenditore.

È vietata qualsiasi riproduzione, anche parziale, della presente pubblicazione senza previa autorizzazione scritta del produttore.

NORME DI SICUREZZA

A garanzia della sicurezza personale e del comfort di utilizzo, si raccomanda vivamente di leggere per intero il presente manuale. Prestare attenzione ai seguenti simboli e al loro significato:

AVVERTENZA

Messa in guardia contro rischi di gravi infortuni o di morte in caso di inosservanza delle istruzioni.

ATTENZIONE:


• *Messa in guardia contro eventuali rischi di infortuni o di danneggiamento dei materiali in caso di inosservanza delle istruzioni.*

NOTA: Informazioni o chiarimenti utili.

IDENTIFICAZIONE DELLA MACCHINA

	CATEGORIA	SERIE	TIPO	OPZIONE
Esempio	HRG	416XB	PE	EA
Descrizione	HRG= Rasaerba		P = Tipo a spinta	EA = Destinato all'Europa
			S = Tipo semovente	UA = Destinato all'Australia

Il modello del rasaerba alimentato a batterie è riportato sull'etichetta di identificazione (vedi pagina 4) ed è composto da una serie di lettere.

 _____
Inserire qui il numero di serie della macchina

Inserire qui il modello della macchina

Honda France Manufacturing S.A.S. - Pôle 45 - Rue des Châtaigniers
45140 ORMES - FRANCIA - Tutti i diritti riservati

3RVAA601
00X3R-VAA-6010

HRG416XB
HRG466XB

2020
Stampato in Francia

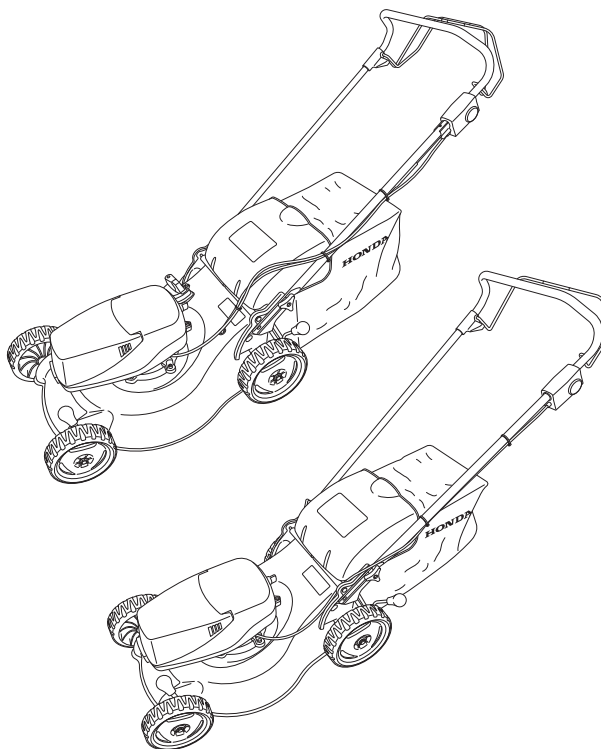
HONDA

MANUALE DELL'UTENTE

TRADUZIONE DELL'ISTRUZIONI ORIGINALI

Rasaerba alimentato a batterie

HRG416XB • HRG466XB



ITALIANO



Per l'uso sono necessari il gruppo batterie e il caricatore appositi per questi macchinari. Essi sono venduti separatamente.

INDICE

Introduzione	1
Norme di sicurezza	2
Etichette di sicurezza	4
Identificazione della macchina	4
Descrizione generale	4
Preparazione e verifiche prima dell'uso	5
Selezione della modalità di taglio (solo modello HRG466XB)	8
Rasatura	9
Consigli per l'uso	9
Manutenzione	11
Risoluzione dei problemi	15
Stoccaggio	15
Trasporto	16
Informazioni utili	16
Specifiche tecniche	17
Elenco dei maggiori distributori Honda in Europa	18
DESCRIZIONE DEL CONTENUTO DELLA "Dichiarazione CE di Conformità"	19

NORME DI SICUREZZA

DA OSSERVARE ATTENTAMENTE

Prima di utilizzare la macchina, leggere attentamente quanto segue.

AVVERTENZA

Messa in guardia contro rischi di gravi infortuni o di morte in caso di inosservanza delle istruzioni.

ATTENZIONE:

- *Messa in guardia contro eventuali rischi di infortuni o di danneggiamento dei materiali in caso di inosservanza delle istruzioni.*

NOTA: Informazioni o chiarimenti utili.

A) ISTRUZIONI PRELIMINARI

- 1) Leggere attentamente le istruzioni del presente manuale. Acquisire familiarità con i comandi e l'utilizzo corretto della macchina. Apprendere come arrestare rapidamente il motore.
- 2) Non permettere mai l'uso della macchina a bambini o a persone che non hanno familiarità con le istruzioni. Potrebbe esistere una normativa locale che fissa un'età minima consentita per l'operatore.
- 3) Non utilizzare la macchina:
 - quando nelle vicinanze vi sono persone, soprattutto bambini, o animali domestici;
 - se l'operatore ha assunto farmaci o sostanze che possano compromettere i riflessi e la capacità di concentrazione.
- 4) Tenere presente che l'operatore o l'utente è responsabile di eventuali incidenti o rischi a danno di terze persone o dei loro beni.
- 5) Non modificare la macchina. Tale azione potrebbe causare un incidente nonché danneggiare la macchina. La manomissione del motore rende nulla l'approvazione UE del tipo di macchina.

B) PREPARAZIONI

- 1) Durante la rasatura, indossare calzature robuste e pantaloni lunghi. Non utilizzare la macchina a piedi nudi o indossando sandali aperti. Evitare di indossare indumenti ampi con cordoni o nastri pendenti. Per ridurre gli effetti delle vibrazioni, indossare guanti antivibrazione. Per ridurre gli effetti del rumore, indossare cuffie antirumore.
- 2) Ispezionare accuratamente tutta la zona da tosare e rimuovere qualsiasi oggetto (pietre, rami, filo di ferro, ossi e così via) che potrebbe essere scagliato dalla macchina o che potrebbe danneggiare il gruppo di taglio o il motore.
- 3) Prima dell'uso, effettuare sempre un controllo generale, in particolare verificare che la lama, le viti e il gruppo di taglio non siano usurati o danneggiati. Per mantenere una bilanciatura perfetta, sostituire in blocco la lama e le viti danneggiate o usurate. Sostituire le etichette danneggiate o illeggibili.
- 4) Prima dell'uso, controllare che il gruppo batterie non presenti segni di danni o usura. Se il gruppo batterie è danneggiato o usurato, non utilizzare la macchina. Controllare che i terminali della batteria non vadano in cortocircuito.
- 5) Non utilizzare il rasaerba senza deflettore di scarico o sacco di raccolta.

C) UTILIZZO

- 1) Tagliare il prato esclusivamente alla luce del giorno o con l'ausilio di una luce artificiale di buona qualità.
- 2) Evitare di utilizzare la macchina sull'erba bagnata o quando piove.
- 3) Accertarsi di avere un saldo punto di appoggio sui pendii.
- 4) Non correre, ma camminare durante l'uso; non lasciarsi trainare dalla macchina.
- 5) Sui pendii tagliare l'erba in senso trasversale, mai in salita o in discesa.
- 6) Prestare particolare attenzione durante i cambi di direzione sui pendii.
- 7) Non utilizzare la macchina su pendii eccessivamente ripidi. Non tosare prati con pendenza superiore a 20° (36%).

- 8) Prestare particolare attenzione quando si tira la macchina verso di sé.
- 9) Arrestare la lama se la macchina deve essere inclinata per il trasporto su superfici diverse dal prato e negli spostamenti da un'area di utilizzo all'altra.
- 10) Non utilizzare la macchina se le protezioni sono danneggiate o senza sacco di raccolta o parasassi.
- 11) Avviare il motore con cautela, seguendo le istruzioni e tenendo i piedi lontani dalla lama.
- 12) Non inclinare la macchina quando si avvia il motore, a meno che tale manovra non sia indispensabile per l'avvio. In tal caso, non inclinare la macchina più di quanto sia strettamente necessario e sollevare solo la parte lontana dall'operatore. Accertarsi che entrambe le mani siano in posizione operativa prima di abbassare la macchina.
- 13) Non avviare la macchina quando ci si trova di fronte alla bocca di espulsione.
- 14) Non posizionare mai le mani e i piedi vicino o sotto le parti rotanti. Mantenersi a distanza di sicurezza dalla bocca di espulsione.
- 15) Non trasportare la macchina con l'alimentazione in funzione.
- 16) Rimuovere la chiave di isolamento e il gruppo batterie o spostare la chiave di isolamento in posizione "spento" (O):
 - ogni volta che la macchina viene lasciata incustodita;
 - prima di rimuovere blocchi o liberare la bocca di scarico ostruita;
 - prima di procedere a qualsiasi operazione di pulizia, controllo o riparazione della macchina;
 - dopo avere urtato contro un oggetto estraneo. In questo caso ispezionare il macchinario per controllare se ha subito danni ed effettuare le riparazioni prima di riutilizzare la macchina.Se la macchina inizia a vibrare in modo anomalo, controllare immediatamente.
 - Verificare che non siano presenti danni.
 - Sostituire o riparare eventuali parti danneggiate.
 - Controllare che le parti non siano allentate e, se necessario, serrarle.
- 17) Arrestare il motore:
 - ogni volta che il sacco di raccolta viene rimosso o riposizionato;
 - ogni volta che l'altezza di taglio viene regolata.
- 18) Non fissare la chiave di isolamento con una fascetta alla macchina.
- 19) Quando si taglia l'erba, mantenere sempre la distanza di sicurezza dalla lama rotante, che corrisponde alla lunghezza del manubrio.
- 20) **AVVERTENZA** - Se si verificano rotture o incidenti durante l'uso della macchina, spegnere subito il motore e allontanare la macchina per evitare ulteriori danni. Se si verifica un incidente che provoca lesioni personali o lesioni a terzi, adottare subito le misure di primo soccorso più idonee in base alla situazione e contattare le autorità sanitarie per ottenere assistenza. Rimuovere accuratamente eventuali detriti che potrebbero causare danni o lesioni a persone e animali qualora non siano visibili.
- 21) I livelli del rumore e delle vibrazioni indicati nel presente manuale rappresentano i valori massimi per l'uso del rasaerba. L'utilizzo di una lama non equilibrata, una velocità di avanzamento eccessiva e la mancanza di manutenzione influiscono notevolmente sulle emissioni acustiche e sulle vibrazioni. È necessario pertanto adottare misure precauzionali per prevenire ogni possibile danno derivante da rumori di elevata intensità e vibrazioni; effettuare regolarmente la manutenzione della macchina, indossare cuffie antirumore. Fare delle pause durante l'uso.

D) MANUTENZIONE E STOCCAGGIO

- 1) Per garantire condizioni di utilizzo sicure, controllare che i dadi e le viti siano serrati. La manutenzione periodica è essenziale per il funzionamento sicuro e per mantenere prestazioni elevate.
- 2) Controllare spesso che il parasassi e il sacco di raccolta non presentino segni di usura o deterioramento.
- 3) Prestare attenzione durante la regolazione della macchina per evitare che le dita rimangano intrappolate tra la lama rotante e le parti fisse della macchina.
- 4) Lasciare raffreddare la macchina prima di riporlo.
- 5) Quando si interviene sulla lama tenere presente che, nonostante l'alimentazione sia disattivata, la lama è mobile.
- 6) Per ragioni di sicurezza, non utilizzare la macchina se alcune parti risultano usurate o danneggiate. In tal caso le parti devono essere sostituite, non riparate. Utilizzare parti di ricambio originali. L'uso di parti di qualità inferiore può provocare danni alle attrezzature e compromettere la sicurezza.
- 7) Per ridurre i rischi di incendio, rimuovere eventuali fili d'erba, foglie e accumuli di grasso dalla macchina, in particolare dal motore. Non lasciare contenitori di resti vegetali all'interno di una zona di stoccaggio.
- 8) Lavare il sacco di raccolta con acqua mediante una canna da giardinaggio. Non usare un'idropulitrice ad alta pressione.
- 9) Lo stoccaggio corretto è essenziale per garantire la durata del prodotto. Se possibile, evitare zone di stoccaggio molto umide che potrebbero favorire la formazione di ruggine e la corrosione.
- 10) Stoccaggio alla fine della stagione: Rimuovere il gruppo batterie e riporre sia la macchina che il gruppo batterie in un luogo sicuro e asciutto, lontano dalla luce diretta del sole. Non collocare alcun oggetto sulla macchina.
- 11) Eseguire una pulizia approfondita del prodotto prima di procedere allo stoccaggio per un periodo prolungato.

E) PRECAUZIONI GENERALI

- 1) Le riparazioni devono essere effettuate presso un centro assistenza autorizzato. Se la macchina inizia a vibrare in modo anomalo, ruotare la chiave di isolamento in posizione "spento" e rimuoverla dalla macchina, quindi sottoporre la macchina alla verifica da parte di un centro assistenza autorizzato.
- 2) All'avviamento tenere entrambe le mani sull'impugnatura.
- 3) Le parti soggette a usura devono essere sostituite presso un centro assistenza autorizzato.
- 4) Se il gruppo batterie è danneggiato o usurato, non utilizzare in nessun caso la macchina.
- 5) Non toccare la lama fino a quando la chiave di isolamento non è stata rimossa dalla macchina e la lama è completamente ferma.
- 6) Prima di procedere al trasporto o allo stoccaggio, verificare che la macchina sia pulita e priva di detriti; se è necessario, pulire la macchina con un panno morbido e asciutto.
- 7) Non usare acqua forzata ed evitare di bagnare il motore e i componenti elettrici. Non utilizzare detergenti aggressivi per pulire il telaio.
- 8) Per migliorare le prestazioni della macchina, mantenere pulito il lato inferiore del piatto. Mantenere sempre pulita la zona di montaggio del gruppo batterie.
- 9) Conservare la chiave di isolamento in un luogo sicuro e lontano dalla portata dei bambini.

F) PRECAUZIONI AGGIUNTIVE

- 1) **AVVERTENZA** - PERICOLO! L'umidità e l'elettricità non sono compatibili:
 - manipolare e collegare il gruppo batterie in ambienti asciutti;
 - evitare che il gruppo batterie venga a contatto con zone bagnate (pozzanghere, erba bagnata).
- 2) Indossare guanti da lavoro per smontare e rimontare la lama.
- 3) Durante l'affilatura mantenere la bilanciatura corretta della lama. Tutti gli interventi sulla lama (smontaggio, affilatura, bilanciatura, rimontaggio e/o sostituzione) richiedono competenze e attrezzi specifici. Per ragioni di sicurezza, tali interventi dovrebbero essere eseguiti dal personale di un centro assistenza autorizzato.
- 4) Raccomandazioni per la gestione ottimale del gruppo batterie e del caricatore.
AVVERTENZA - Non tentare di caricare batterie non ricaricabili con il caricatore.
 - Per garantire la sicurezza dell'operatore, accertarsi che la chiave di isolamento e i comandi operatore siano in posizione "spento" prima di inserire il gruppo batterie. Inserire il gruppo batterie nella macchina con la chiave in posizione "acceso" può essere pericoloso.
 - Inserire il gruppo batterie fino a udire lo scatto del meccanismo di bloccaggio. Per rimuovere il gruppo batterie, azionare la leva di apertura del coperchio batteria.
- 5) Rimuovere le batterie ricaricabili dalla macchina prima di caricarle.

G) TRASPORTO E MANIPOLAZIONE

- 1) Ogni volta che la macchina deve essere maneggiata, sollevata, trasportata o inclinata, è necessario:
 - indossare guanti da lavoro robusti;
 - afferrare la macchina nei punti che offrono una presa sicura, tenendo conto del peso e della sua distribuzione;
 - ricorrere a un numero di persone appropriato in base al peso della macchina e alle caratteristiche del veicolo o del luogo in cui la macchina deve essere posizionata o ritirata.
- 2) Per il trasporto, fissare la macchina saldamente per mezzo di cavi o catene.
- 3) Prima di trasportare la macchina o ripiegare il manubrio, accertarsi che la chiave di isolamento e il gruppo batterie siano stati rimossi dalla macchina.

ETICHETTE DI SICUREZZA

La macchina deve essere utilizzata con attenzione. Sulla macchina sono presenti etichette volte a ricordare, per mezzo di pittogrammi, le principali precauzioni da adottare durante l'uso. Il loro significato è spiegato di seguito.

Queste etichette sono considerate come parte della macchina. Se una di esse dovesse staccarsi o diventare illeggibile, contattare un centro assistenza autorizzato per la sua sostituzione.

Si raccomanda inoltre di leggere attentamente l'avviso di sicurezza (vedi pagina 2).

Destinato all'Europa (PEEA, SEEA)	Destinato all'Australia (PEUA, SEUA)
	<p>⚠ DANGER</p> <p>SHARP BLADE You will be seriously cut by the rotating blade. Keep hands and feet away when motor is running.</p> <p>⚠ WARNING</p> <p>AVOID SERIOUS INJURY OR DEATH. ■ Follow all instructions in Owner's Manual. ■ Keep safety devices/guards, shields, switches, etc. in place and working. ■ Avoid steep slopes. ■ Look down and behind before and while moving backwards. ■ Do not operate unless properly trained. ■ To reduce the risk of electric shocks, do not expose to water or operate on wet ground. ■ Remove the battery pack before servicing or removing blade. OBJECTS THROWN BY BLADE CAN CAUSE SERIOUS INJURY. ■ Inspect area and remove debris before mowing. ■ Do not mow when children or others are around. ■ Wear eye protection. DO NOT OPERATE UNLESS GUARD IS CLOSED OR BAG IS IN PLACE.</p>

- [1] **AVVERTENZA:** Prima di usare il macchinario, leggere il manuale dell'utente.
- [2] Rischio di proiezioni: tenere lontano terze persone dall'area durante l'uso.
- [3] Rischio di tagli. Lama rotante: non introdurre mani o piedi all'interno dell'alloggiamento lama. Spostare la chiave di isolamento in posizione "spento" (O) e rimuovere la chiave di isolamento e il gruppo batterie prima di procedere a qualsiasi operazione di regolazione o pulizia, nonché prima di lasciare il prodotto incustodito. La lama continua a ruotare dopo aver spento il motore.
- [4] Non utilizzare la macchina senza deflettore di scarico o sacco di raccolta.

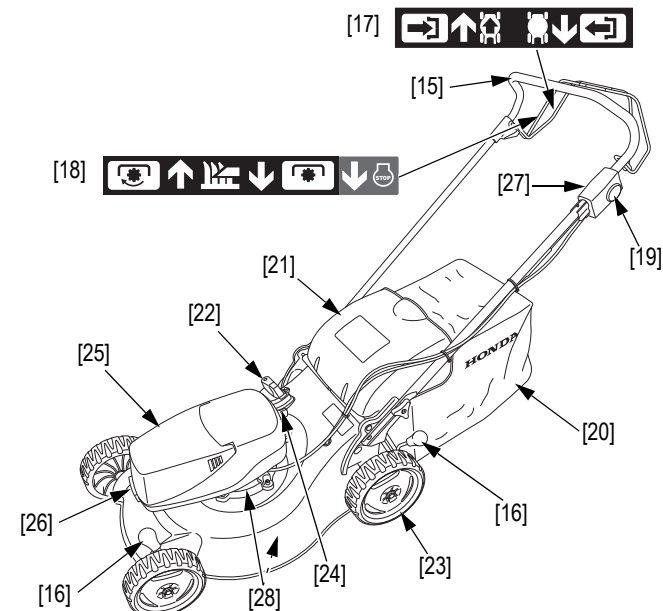
IDENTIFICAZIONE DELLA MACCHINA

Destinato all'Europa (PEEA, SEEA)	
	<p>[13] Honda France Manufacturing S.A.S. Rue des Châtaigniers - Pôle 45 45140 Ormes - France</p> <p>[12] [14] IP54</p> <p>[11] [9]</p> <p>[5] [6] [7] [10] [8]</p>

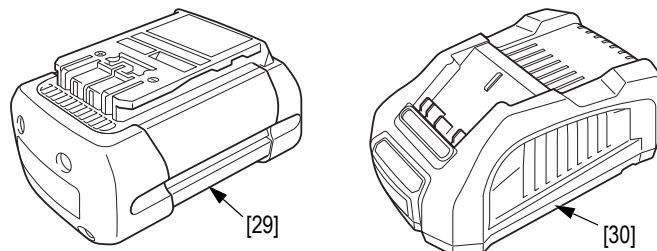
Destinato all'Australia (PEUA, SEUA)	
	<p>[12] [10]</p> <p>[11] Honda Australia Motorcycle and Power Equipment Pty Ltd.</p> <p>Assembled in FRANCE</p> <p>[5]</p>

- [5] Livello di potenza acustica
- [6] Marcatura CE
- [7] Tensione nominale
- [8] Velocità del motore consigliata in giri al minuto
- [9] Massa in chilogrammi
- [10] Anno di produzione
- [11] Numero di serie
- [12] Modello - Tipo
- [13] Nome e indirizzo del produttore
- [14] Codice IP (resistenza alla penetrazione di umidità e polvere (garantito solo con la batteria installata))

DESCRIZIONE GENERALE



Gruppo batterie e caricatore
* Per l'uso sono necessari il gruppo batterie e il caricatore appositi per questa macchina. Essi sono venduti separatamente.



IDENTIFICAZIONE DEGLI ELEMENTI

COMANDI	FUNZIONI
[15] Manubrio	
[16] Leva di regolazione dell'altezza di taglio	Consente di selezionare l'altezza di taglio desiderata
[17] Leva della frizione (solo modello HRG466XB)	Controlla la trasmissione che trascina le ruote posteriori
[18] Leva di innesto della lama	Consente di arrestare e attivare la rotazione della lama
[19] Pulsante giallo	Controlla il motore mediante un interruttore a doppia azione per evitarne l'avviamento accidentale
[20] Sacco di raccolta	Raccoglie l'erba tagliata
[21] Deflettore di scarico	Protegge dalla proiezione di schegge
[22] Selettore Clip Director (solo modello HRG466XB)	Per commutare tra mulching/espulsione posteriore
[23] Ruote posteriori	
[24] Chiave di isolamento	
[25] Coperchio batteria	
[26] Leva di apertura del coperchio batteria	
[27] Indicatore batteria	
[28] Alette di raffreddamento del motore	
[29] Gruppo batterie	
[30] Caricatore	

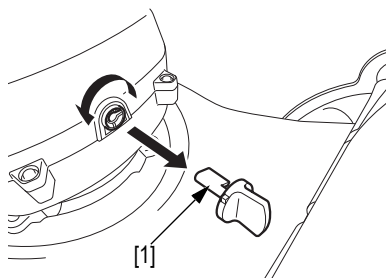


Non smaltire i rifiuti di apparecchiature elettriche con i rifiuti domestici. Se le apparecchiature elettriche vengono smaltite nelle discariche, è possibile che fuoriescano e reagiscano sostanze, contaminando la catena alimentare, con conseguenze dannose per la salute e il benessere. Per ulteriori informazioni sul corretto smaltimento di questo prodotto, contattare un centro assistenza autorizzato o il più vicino servizio di raccolta di rifiuti domestici.

PREPARAZIONE E VERIFICHE PRIMA DELL'USO

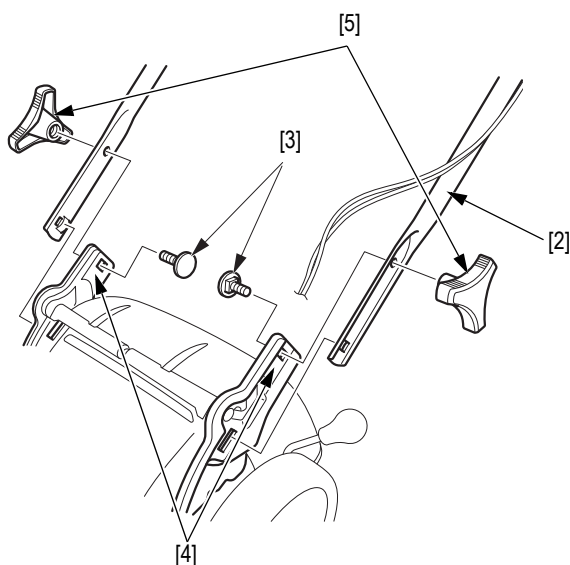
⚠ AVVERTENZA

Prima di eseguire questa serie di verifiche, posizionare la macchina su un terreno stabile e orizzontale, con la chiave di isolamento [1] e il gruppo batterie rimossi.



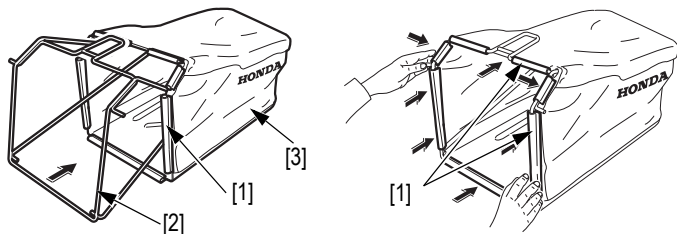
MONTAGGIO DEL MANUBRIO

1. Accertarsi che il sacco di raccolta non sia montato.
2. Fissare il manubrio [2] al telaio in modo che i cavi siano sul lato sinistro.
3. Inserire i due bulloni [3] nei punti di fissaggio del manubrio [4] sul lato interno del manubrio. Serrare i bulloni con le due manopole di fissaggio del manubrio [5]. Verificare che le manopole siano serrate saldamente.



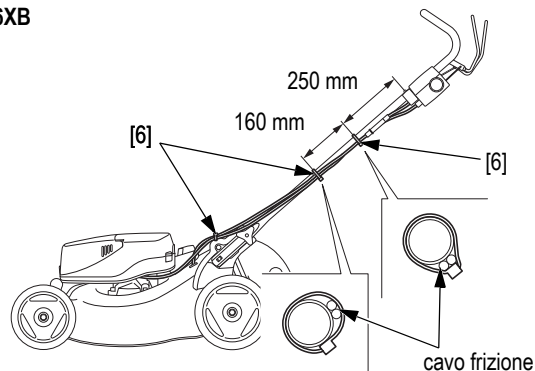
MONTAGGIO DEL SACCO DI RACCOLTA

Inserire il telaio [2] nel sacco [3] e fissare i bordi in plastica [1] al telaio stesso.

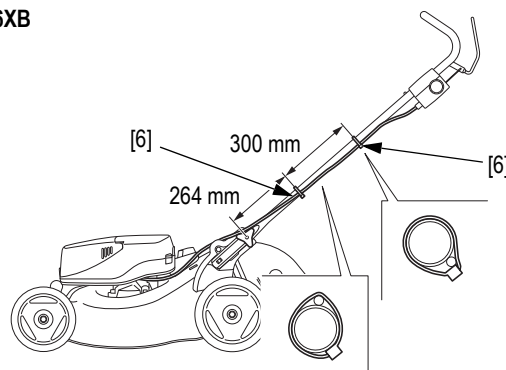


4. Controllare che i cavi passino al di sopra della manopola di fissaggio sinistra del manubrio e che siano fissati al lato sinistro del manubrio mediante fascette [6], come mostrato nella figura.

HRG466XB



HRG416XB



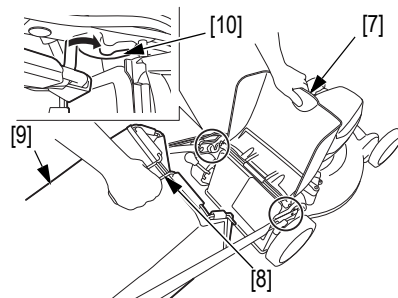
VERIFICA DEL SACCO DI RACCOLTA

⚠ AVVERTENZA

Prima dell'uso, accertarsi che il dispositivo di chiusura del sacco di raccolta sia posizionato correttamente (deflettore di scarico). Il sacco di raccolta tende ad usurarsi anche in condizioni d'uso normali. Verificare regolarmente che non sia sfilacciato o strappato. Un sacco usurato deve assolutamente essere sostituito. La sostituzione deve essere effettuata esclusivamente con un sacco originale Honda.

Rimozione del sacco di raccolta:

1. Sollevare il deflettore di scarico [7], afferrare il manubrio [8] e rimuovere il sacco di raccolta [9] mantenendolo in posizione verticale.



Posizionamento del sacco di raccolta:

1. Sollevare il deflettore di scarico e agganciare la parte anteriore del sacco di raccolta sui naselli di fissaggio [10] della macchina.

NOTA:

- La macchina funziona come un aspirapolvere: soffia aria nel sacco di raccolta aspirando l'erba tagliata. Svuotare il sacco prima che sia completamente pieno, per facilitare l'operazione di svuotamento e ridurre al minimo il deposito di erba tagliata sul terreno. La funzione di riempimento perde efficienza quando il sacco di raccolta è pieno per il 90% circa.
- Solo modello HRG466XB: Il mulching è una tecnica di concimazione naturale. L'erba non viene più raccolta nel sacco apposito, ma viene tritata finemente e depositata sul prato. L'erba tritata in questo modo si decompone al sole e forma un humus naturale in grado di produrre un quarto del fabbisogno annuale di fertilizzante per il prato.
- Oltre al suo uso come fertilizzante, il mulching protegge il terreno, limita l'evaporazione dell'acqua nei periodi caldi ed elimina la necessità di raccogliere l'erba.

PREPARAZIONE DEL GRUPPO BATTERIE

Per poter utilizzare la macchina è necessario installare dapprima un gruppo batterie carico. Per informazioni sulla corretta gestione del gruppo batterie vedere [pagina 6](#).

INSTALLAZIONE E RIMOZIONE DEL GRUPPO BATTERIE

⚠ AVVERTENZA

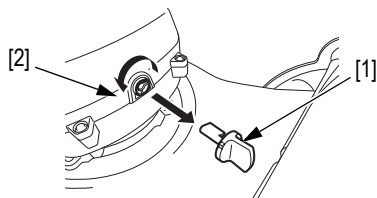
Non maneggiare il gruppo batterie con le mani bagnate o sotto la pioggia.

ATTENZIONE:

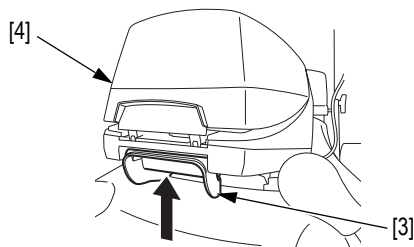
- Prestare attenzione quando si chiude il coperchio batteria per evitare che le dita vengano schiacciate.
- Eseguire qualsiasi operazione con la dovuta cautela per evitare lesioni.
- Utilizzare sempre un gruppo batterie Honda.

Installazione:

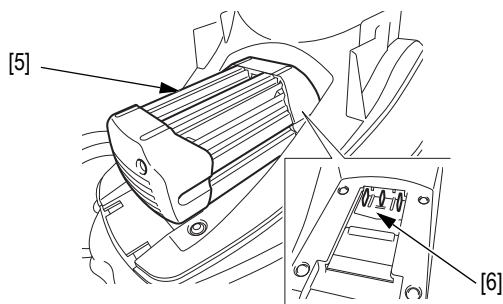
1. Ruotare la chiave di isolamento [1] in posizione "spento" (O) [2] e rimuoverla dal motore.



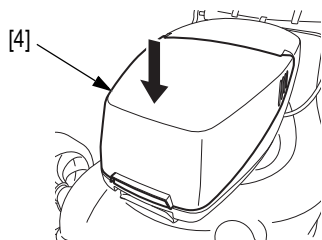
2. Premere la leva di apertura del coperchio batteria [3] per aprire il coperchio batteria [4].



3. Verificare che la zona di montaggio del gruppo batterie sia pulita. Installare il gruppo batterie [5] sul terminale [6]. **Premere il gruppo batterie fino a sentire uno scatto.**



4. Chiudere saldamente il coperchio batteria.



NOTA:

Ogniqualvolta si apre il coperchio, verificare sempre che la batteria sia ben collegata prima di chiuderlo.

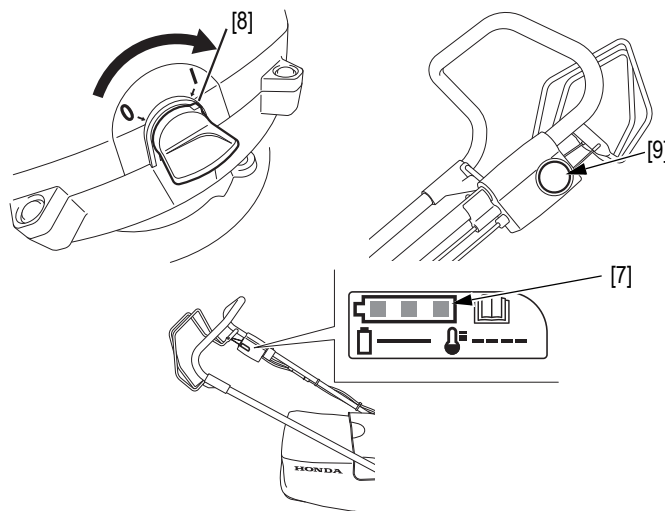
Rimozione:

1. Ruotare la chiave di isolamento in posizione "spento" (O) e rimuoverla dal motore.
2. Premere la leva di apertura del coperchio batteria per aprire il coperchio batteria. All'apertura del coperchio il **gruppo batterie si stacca simultaneamente dal terminale.**
3. Estrarre il gruppo batterie.
4. Chiudere saldamente il coperchio batteria.

VERIFICA DEL LIVELLO DI CARICA DELLA BATTERIA

Per verificare il livello di carica della batteria, fare riferimento all'indicatore batteria [7] posto sul lato sinistro del manubrio.

1. Installare il gruppo batterie nella macchina.
2. Inserire la chiave di isolamento nel motore e ruotarla in posizione "acceso" (I) [8].
3. Premere il pulsante giallo [9]; l'indicatore batteria viene attivato.

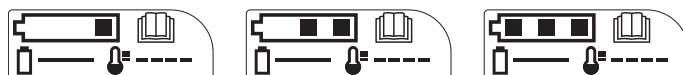


4. La capacità residua della batteria viene visualizzata secondo 3 livelli.

Comportamento dei LED dell'indicatore batteria

- I LED indicano lo stato del gruppo batterie e della macchina.
- Quando la batteria è installata e la chiave di isolamento è in posizione "acceso", i LED si accenderanno azionando il pulsante giallo o la leva di innesto della lama.
- I LED si accendono per circa 48 secondi.
- I LED non si accendono mentre la macchina è in funzione.

I LED indicano lo stato della macchina o del gruppo batterie nel modo seguente.



1 LED acceso

0% < livello di carica ≤ 30%

2 LED accesi

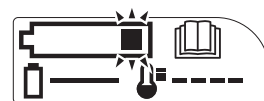
30% < livello di carica ≤ 60%

3 LED accesi

60% < livello di carica ≤ 100%

1 LED lampeggiante

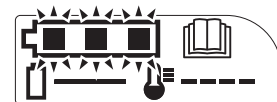
Livello di carica 0% = Vuoto



3 LED lampeggianti

Spegnimento del motore a causa del surriscaldamento del motore stesso o del gruppo batterie.

Ruotare la chiave di isolamento in posizione "spento" (O) e lasciar raffreddare la macchina per 30-60 minuti.



Se il livello della batteria è basso caricare il gruppo batterie.

Vedere le istruzioni fornite per il gruppo batterie e il caricatore.

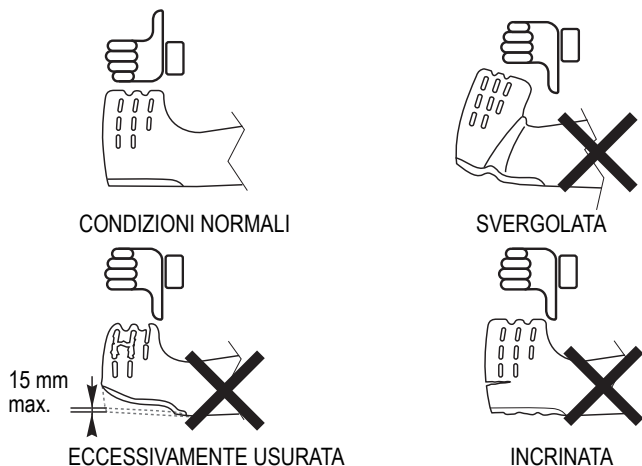
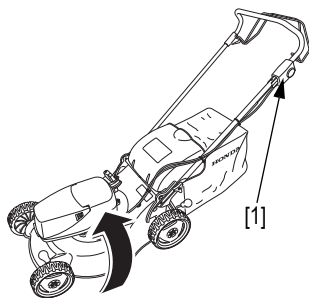
COME CARICARE IL GRUPPO BATTERIE

Vedere le istruzioni fornite per il gruppo batterie e il caricatore.

VERIFICA DELLO STATO DELLA LAMA

Per verificare lo stato della lama:

1. Accertarsi che la chiave di isolamento e il gruppo batterie siano stati rimossi dalla macchina.
 2. Inclinare la macchina sul lato destro in modo che il pulsante giallo [1] sia rivolto verso l'alto.
- Verificare se la lama presenta segni di usura. È necessario sostituire la lama quando i denti sono consumati, quando appare una fessura o se è piegata.



- Verificare che i bulloni della lama non siano allentati (vedere il capitolo "Manutenzione" a [pagina 11](#)).
- Per sostituire o rimuovere la lama, vedere la procedura descritta nel capitolo "Manutenzione" a [pagina 11](#).

⚠ AVVERTENZA

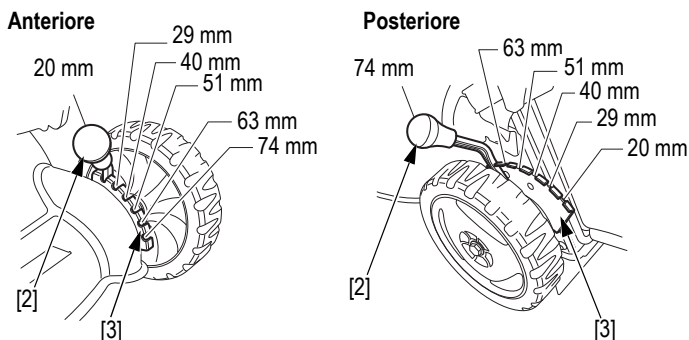
Non utilizzare mai la macchina con una lama usurata, danneggiata, incrinata o ammaccata. In caso di rottura, la proiezione di schegge potrebbe causare gravi lesioni personali.

NOTA: L'usura della lama risulta più rapida quando la macchina viene utilizzata su terreni sabbiosi. In caso di utilizzo della macchina in queste condizioni, controllare la lama con maggiore frequenza.

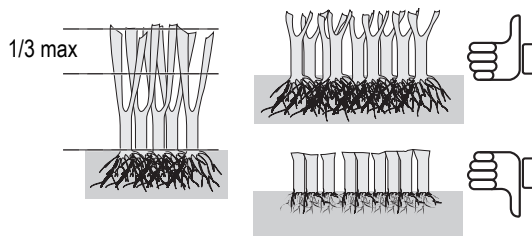
REGOLAZIONE DELL'ALTEZZA DI TAGLIO

Per modificare l'altezza di taglio:

1. Rimuovere la chiave di isolamento e il gruppo batterie o spostare la chiave di isolamento in posizione "spento" (O).
2. Tirare la leva di regolazione [2] verso la ruota e posizionarla nella scanalatura di regolazione appropriata [3]. La leva e le scanalature di regolazione si trovano in corrispondenza della ruota anteriore sinistra e della ruota posteriore sinistra.



Le altezze di taglio selezionabili corrispondono a valori approssimativi, in quanto l'altezza di taglio effettiva può variare in funzione delle condizioni del prato e del terreno. Per scegliere l'altezza di taglio appropriata, verificare l'aspetto del prato dopo avere tosato una piccola superficie e, se necessario, regolare l'impostazione.



NOTA:

- Non tagliare più di 1/3 dell'altezza iniziale dell'erba in una passata, per evitare la comparsa di macchie scure. Il taglio sarà più netto e si eviterà di intasare la lama e la bocca di scarico.
- Se l'erba è troppo alta, tagliarla fino all'altezza massima prevista per la macchina. Effettuare un altro taglio dopo 2 o 3 giorni.
- La profondità delle radici è proporzionale all'altezza dei fili d'erba: più il taglio è corto e meno le radici sono profonde.
- Scegliere un'altezza di taglio adatta all'uso del prato: svago, sport: dai 5 cm in su, ornamentale: da 1 a 3 cm.
- Solo alcuni tipi di erba tollerano un taglio corto. Un prato con l'erba tagliata troppo corta è fragile e tende a seccare. Consultare uno specialista.

VERIFICA DEL SERRAGGIO DEI BULLONI DELLA LAMA

Vedere "MONTAGGIO E SMONTAGGIO DELLA LAMA DI TAGLIO" ([pagina 12](#)).

VERIFICA DEL CAVO FRIZIONE (SOLO MODELLO HRG466XB)

Vedere "CONTROLLO DEL CAVO FRIZIONE (SOLO MODELLO HRG466XB)" ([pagina 11](#)).

VERIFICA DEL CAVO DI INNESTO DELLA LAMA

Vedere "CONTROLLO DEL CAVO DI INNESTO DELLA LAMA" ([pagina 12](#)).

VERIFICA DELLE ALETTE DI RAFFREDDAMENTO DEL MOTORE E DEL VANO BATTERIA

Vedere "PULIZIA DELLE ALETTE DI RAFFREDDAMENTO DEL MOTORE E DEL VANO BATTERIA" ([pagina 13](#)).

VERIFICA DELLA ROTAZIONE DEL MOTORE

Verificare che non vi siano anomalie di funzionamento, rumori o vibrazioni anomali avviando e arrestando il motore.

In presenza di anomalie di funzionamento o rumori o vibrazioni anomali, interrompere subito l'uso e rivolgersi a un centro di assistenza autorizzato.

VERIFICA DELL'AREA CIRCOSTANTE LA MACCHINA

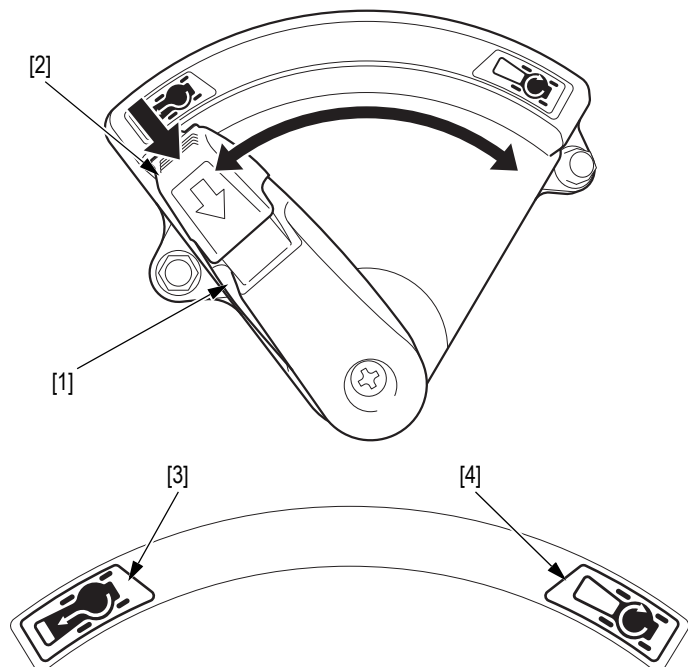
Controllare se vi sono detriti, erba o qualsiasi altro oggetto estraneo dall'area circostante la macchina e rimuoverli.

SELEZIONE DELLA MODALITÀ DI TAGLIO (SOLO MODELLO HRG466XB)

USO DEL SELETTORE CLIP DIRECTOR

È possibile impostare la modalità di taglio mediante il selettore Clip Director [1].

1. Rilasciare la leva di innesto della lama e la leva della frizione.
2. Premere il pulsante di sblocco [2] e spostare il selettore Clip Director per selezionare la modalità di taglio.



- Posizione di raccolta/espulsione posteriore [3]: la totalità dell'erba tagliata viene espulsa nella parte posteriore della macchina, i fili d'erba non vengono sminuzzati. Con il sacco di raccolta montato, l'erba espulsa viene raccolta nel sacco. Senza sacco di raccolta, l'erba viene espulsa direttamente sul suolo. Per montare e smontare il sacco di raccolta, vedere [pagina 5](#).

- Posizione di mulching [4]: l'erba non viene espulsa nella parte posteriore della macchina, ma viene triturata finemente e depositata sul prato. L'erba triturata in questo modo si decompone e forma un compost naturale in grado di produrre un quarto del fabbisogno annuale di fertilizzante per il prato.

NOTA:

- Il mulching è una tecnica di concimazione naturale. L'erba non viene più raccolta nel sacco apposito, ma viene triturata finemente e depositata sul prato.
- Oltre al suo uso come fertilizzante, il mulching protegge il terreno, limita l'evaporazione dell'acqua nei periodi caldi ed elimina la necessità di raccogliere l'erba.

ESPULSIONE POSTERIORE

Se non si desidera raccogliere l'erba tagliata, è possibile utilizzare il macchinario senza sacco di raccolta nella posizione di mulching [3]. In questo caso, l'erba viene espulsa e guidata verso il suolo dal deflettore di scarico.



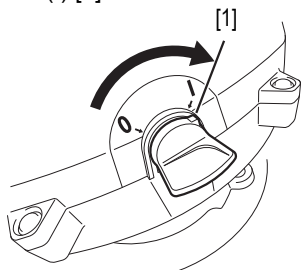
RASATURA

I prodotti HRG416XB e HRG466XB sono alimentati a batteria. Quando si aziona la leva di innesto della lama premendo al contempo il pulsante giallo, il motore e la lama inizieranno subito a ruotare.

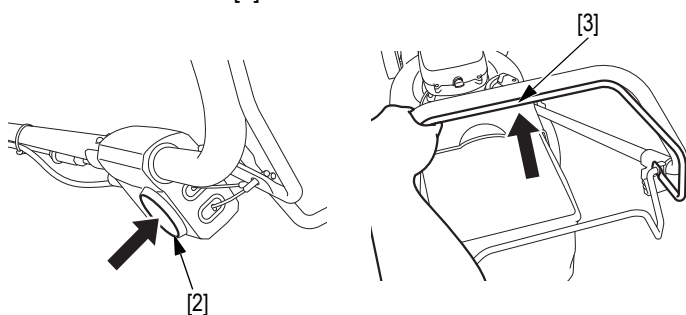
PER AVVIARE LA ROTAZIONE DELLA LAMA

Accertarsi che il gruppo batterie carico sia installato nella macchina (pagina 6).

1. Inserire la chiave di isolamento nel motore e ruotarla in posizione "acceso" (I) [1].



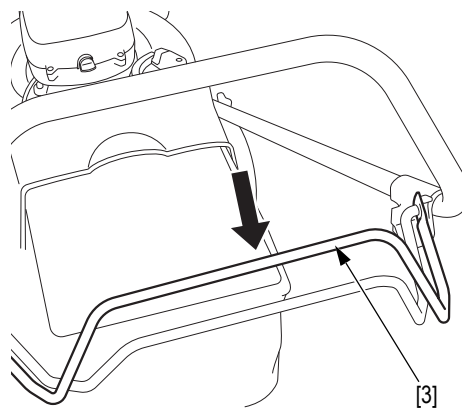
2. Tenendo premuto il pulsante giallo [2], premere la leva di innesto della lama [3]. La lama inizia a ruotare.



3. Rilasciare il pulsante giallo. Tenere premuta la leva di innesto della lama per far sì che la lama continui a ruotare.

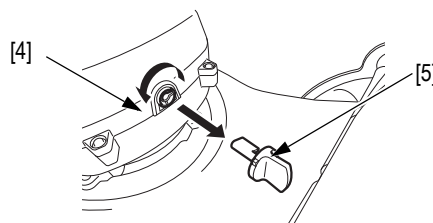
PER ARRESTARE LA ROTAZIONE DELLA LAMA

1. Rilasciare la leva di innesto della lama [3]. La lama smette di ruotare.



Se si intende lasciare la macchina incustodita o interrompere il lavoro, procedere nel modo seguente.

2. Ruotare la chiave di isolamento in posizione "spento" (O) [4] e rimuoverla [5] dal motore.



Se necessario, rimuovere il gruppo batterie (pagina 6).

CONSIGLI PER L'USO

⚠ AVVERTENZA

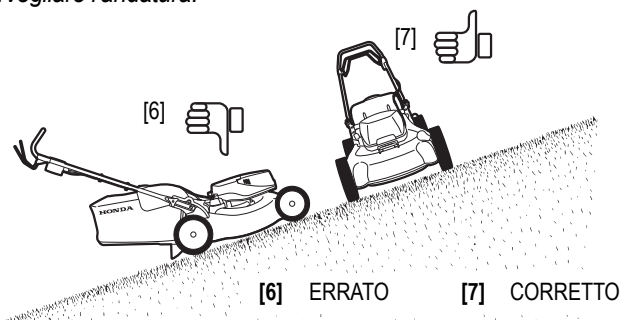
Usare la massima prudenza in caso di rasatura su terreni accidentati o irregolari.

La macchina potrebbe rovesciarsi con la conseguente proiezione di oggetti precedentemente non visibili.

Mantenere le quattro ruote saldamente a contatto con il suolo. Controllare la direzione della macchina mediante il manubrio, senza premere con il piede sul carter coprilama.

ATTENZIONE:

- Quando si taglia l'erba intorno a un ostacolo, prestare attenzione a non urtarlo con la lama. Non passare mai su un oggetto con la macchina.
- Quando si lavora su terreni sconnessi, non lasciarsi trainare dalla macchina. Tenere saldamente il manubrio della macchina e sorvegliare l'andatura.



RASATURA

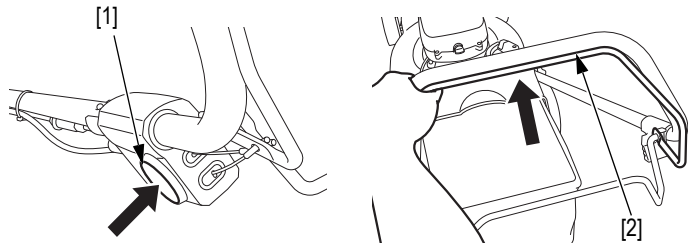
Leggere le norme di sicurezza prima di iniziare la rasatura.

Uso del sistema semovente (solo modello HRG466XB):

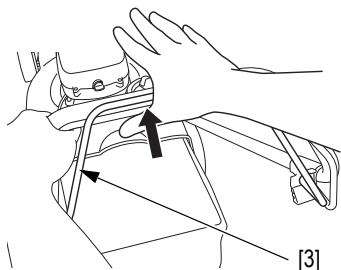
AVVERTENZA

Quando si aziona la leva di innesto della lama, rilasciare la leva della frizione. Se la frizione è inserita la macchina si sposta simultaneamente all'avviamento del motore.

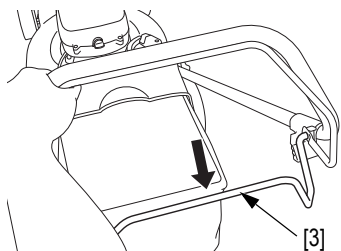
1. Avviare il motore e innestare la lama.
 - Tenendo premuto il pulsante giallo [1], premere la leva di innesto della lama [2]. La lama inizia a ruotare.



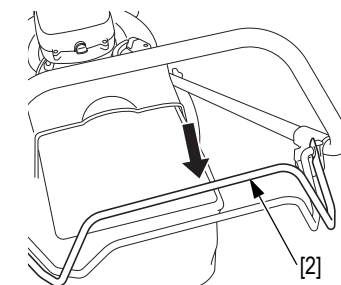
2. Premere completamente la leva della frizione.



3. Per arrestare l'avanzamento della macchina.
 - Rilasciare la leva della frizione.



4. Per arrestare la rotazione della lama.
 - Rilasciare la leva di innesto della lama.

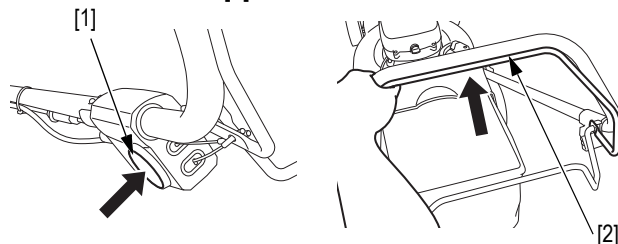


Premere manualmente per fare avanzare la macchina (tutti i tipi):

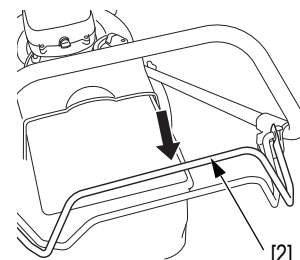
AVVERTENZA

Quando si aziona la leva di innesto della lama, rilasciare la leva della frizione. Se la frizione è inserita la macchina si sposta simultaneamente all'avviamento del motore.

1. Avviare il motore e innestare la lama.
 - Tenendo premuto il pulsante giallo [1], premere la leva di innesto della lama [2]. La lama inizia a ruotare.



2. Premere il manubrio manualmente per tagliare il prato.



3. Per arrestare la rotazione della lama.
 - Rilasciare la leva di innesto della lama.

NOTA: È possibile evitare di usare la funzione di avanzamento quando si effettua il taglio su superfici ristrette (sentieri, aiuole e così via).

NOTA: L'area di taglio (durata della batteria) dipende da diversi fattori: condizioni del prato, densità dell'erba, contenuto di umidità, altezza dell'erba e altezza di taglio. Anche lo spegnimento e la riaccensione frequenti della macchina durante la rasatura riducono l'area di taglio (durata della batteria). Per ampliare l'area di taglio (durata della batteria), è consigliabile tagliare il prato con maggiore frequenza, aumentare l'altezza di taglio e fare avanzare la macchina con un'andatura normale.

Questo modello è dotato di un dispositivo di protezione termica.

- Funzione: prevenire il surriscaldamento del motore e danni causati da un uso improprio.
- Azionamento del dispositivo di protezione: quando si verifica un sovraccarico della macchina, il motore si spegne immediatamente.

Procedura da seguire quando viene azionato il dispositivo di protezione:

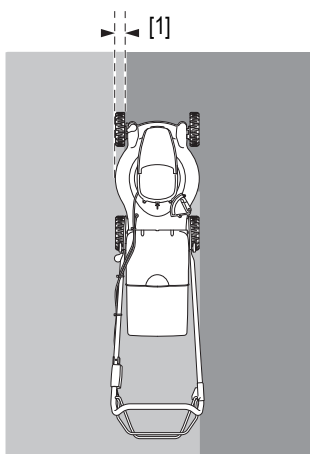
- Rilasciare il pulsante giallo.
- Rimuovere il gruppo batterie.
- Ricercare ed eliminare la causa del problema: altezza di taglio troppo bassa (erba troppo alta e/o fitta), oggetti estranei che impediscono alla lama di ruotare liberamente, ecc.
- Lasciare raffreddare la macchina in un ambiente fresco (da 30 a 60 minuti).

Precauzioni da prendere prima di riavviare la macchina:

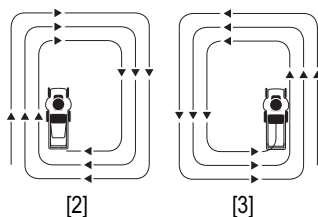
- Rimuovere il gruppo batterie.
- Controllare che la lama si muova liberamente (indossare guanti protettivi).
- Verificare le condizioni di sicurezza nella zona circostante (presenza di oggetti sul prato o di persone e animali nelle vicinanze).
- Installare il gruppo batterie.
- Azionare il pulsante giallo.
- Riavviare la macchina e verificare che il problema non si ripresenti. Se il problema persiste, contattare un centro assistenza autorizzato.

NOTA:

- Frequenza di taglio: una volta alla settimana per un prato dedicato ad attività di svago, due volte per un prato ornamentale.
- Tagliare il prato preferibilmente di pomeriggio o sera prima di innaffiare, affinché l'erba sia asciutta. In caso di eccessiva polvere, tagliare l'erba quando è asciutta ma il terreno è ancora umido.
- Scegliere un'altezza di taglio adatta al terreno (vedi pagina 7).
- Per un taglio regolare, è opportuno ripassare di qualche centimetro sulla parte già tagliata [1] e aumentare questa zona di sovrapposizione quando si effettua un taglio alto.
- Per ottenere la massima efficacia, rispettare il percorso indicato.
- Se il terreno è di forma irregolare o presenta numerosi ostacoli, dividerlo in sezioni all'interno delle quali sia possibile tagliare l'erba nella direzione raccomandata.



- [2] Raccolta: per la massima efficienza, girare in senso orario.
- [3] Mulching (solo modello HRG466XB): girare in senso antiorario.



SVUOTAMENTO DEL SACCO DI RACCOLTA

Quando il sacco di raccolta è pieno, la raccolta dell'erba non è più efficiente (il rumore della macchina cambia e il sacco non viene più gonfiato dall'aria prodotta dalla lama).

HRG466XB:

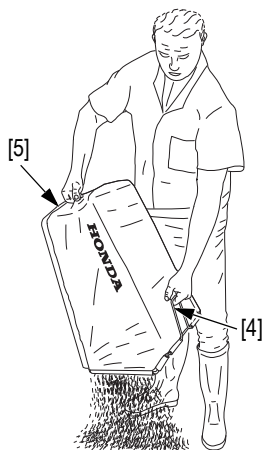
1. Rilasciare la leva di innesto della lama e la leva della frizione.

HRG416XB:

1. Rilasciare la leva di innesto della lama.

Tutti i modelli:

2. Rimuovere il sacco di raccolta (vedi pagina 5).
3. Svuotare il sacco di raccolta:
 - Mantenere il sacco per l'impugnatura metallica [4].
 - Afferrare il sacco di raccolta [5] e scuotere il sacco per eliminare l'erba.



ATTENZIONE:

- Per ridurre il rischio di incendio, non lasciare mai l'erba tagliata o le foglie nel sacco di raccolta, all'interno o in prossimità di un fabbricato. La decomposizione dell'erba tagliata provoca un notevole aumento di temperatura.

AVVERTENZA

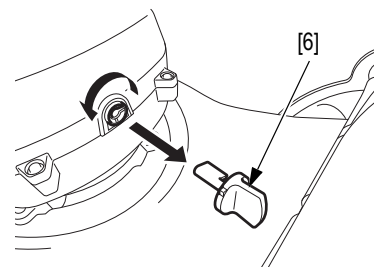
Prima dell'uso, verificare che il dispositivo di chiusura del sacco di raccolta sia correttamente posizionato (deflettore di scarico).

MANUTENZIONE

Una manutenzione regolare contribuisce a prolungare la durata della macchina.

AVVERTENZA

Prima di eseguire questa serie di interventi, posizionare la macchina su un terreno stabile e orizzontale, con la chiave di isolamento [6] e il gruppo batterie rimossi.



NOTA: Per assicurare una lunga durata e un miglior rendimento della macchina, è necessario mantenere la parte sottostante della macchina pulita e priva di residui d'erba; a tale scopo usare una spazzola e un raschietto. Eseguire inoltre una pulizia approfondita prima del rimessaggio stagionale della macchina.

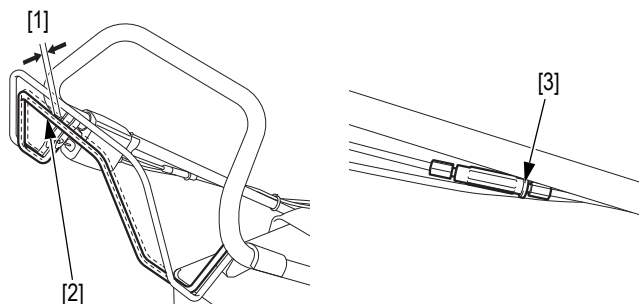
CONTROLLO DEL CAVO FRIZIONE (SOLO MODELLO HRG466XB)

Misurare il gioco [1] sull'estremità della leva della frizione [2], come mostrato in figura.

Gioco: 1-5 mm

Se il gioco non rientra nell'intervallo, regolare il cavo.

1. Allentare il controdado [3].
2. Allentare o stringere il cavo secondo necessità in modo da ottenere un gioco [1] compreso tra 1 e 5 mm.
3. Serrare i controdadi [3] e controllare nuovamente il gioco [1].
4. Avviare il motore. Premere e rilasciare la leva della frizione. Verificare che la macchina venga avviata e si arresti correttamente.

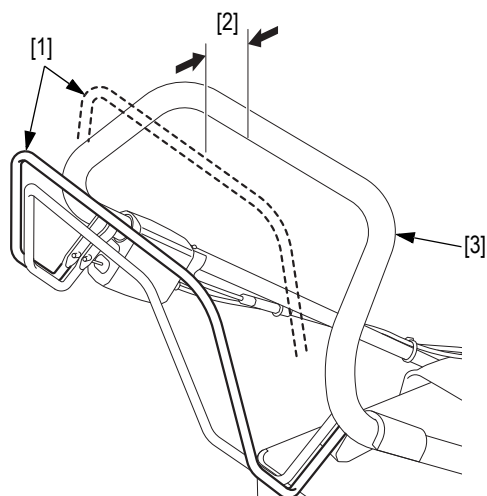


NOTA: Se la frizione non si innesta correttamente benché la regolazione del cavo sia corretta, una riparazione potrebbe essere necessaria. In tal caso, sottoporre il macchinario alla verifica da parte di un centro assistenza autorizzato.

CONTROLLO DEL CAVO DI INNESTO DELLA LAMA

Il motore deve accendersi o spegnersi quando la leva di innesto della lama [1] si trova tra le posizioni prescritte [2].

Posizione prescritta: tra 30 e 60 mm dal manubrio [3].



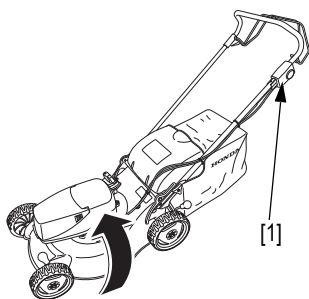
NOTA: Se si accende o si spegne il motore al di fuori della posizione prescritta, si rischia di dover riparare il sistema. In tal caso, sottoporre la macchina alla verifica da parte di un centro assistenza autorizzato.

MONTAGGIO E SMONTAGGIO DELLA LAMA DI TAGLIO



SMONTAGGIO DELLA LAMA

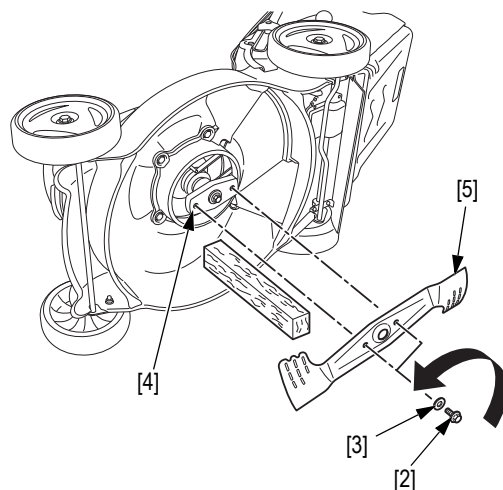
1. Accertarsi che la chiave di isolamento e il gruppo batterie siano stati rimossi dalla macchina.
2. Inclinare la macchina in modo che il pulsante giallo sia rivolto verso l'alto [1].



3. Utilizzare una chiave a bussola da 14 mm e rimuovere i 2 bulloni della lama [2] e le rondelle speciali [3] dall'alloggiamento della lama [4].

Usare un blocco in legno per impedire alla lama di ruotare durante la rimozione dei bulloni.

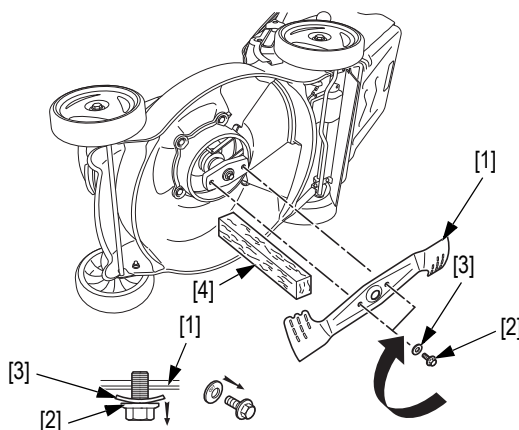
4. Smontare la lama [5].



MONTAGGIO DELLA LAMA

1. Rimuovere la sporcizia e l'erba dalla zona di montaggio della lama.
2. Montare la lama [1] utilizzando i due bulloni [2] e le rondelle speciali [3], come mostrato in figura.

Forza di serraggio del bullone: 54 N·m



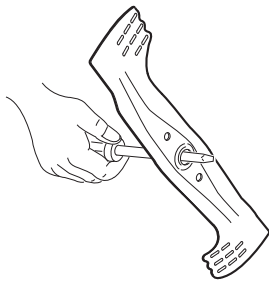
Montare le rondelle speciali con il lato convesso, contrassegnato da "OUT", rivolto verso i bulloni. I bulloni delle lame sono progettati apposta per questo uso e non vanno sostituiti con altri bulloni.

3. Serrare i bulloni della lama con una chiave dinamometrica. Usare un blocco in legno [4] per impedire alla lama di ruotare.

ATTENZIONE:

- In mancanza di chiave dinamometrica, chiedere a un centro assistenza autorizzato di eseguire il corretto serraggio dei bulloni della lama prima di utilizzare la macchina.
- Se sono troppo serrati o troppo lenti, i bulloni della lama potrebbero rompersi o svitarsi.

SOSTITUZIONE DELLA LAMA



ATTENZIONE:

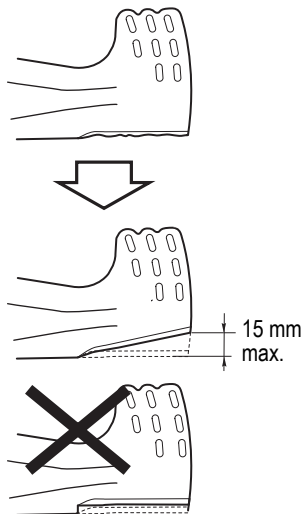
- Per ottenere la massima efficienza di taglio è indispensabile che la lama sia correttamente bilanciata. Sarà quindi tassativo sostituire ogni lama danneggiata o svergolata.
- Utilizzare esclusivamente lame di ricambio originali Honda.

AFFILATURA DELLA LAMA

ATTENZIONE:

- Per evitare un indebolimento della lama tale da provocarne lo sbilanciamento o un taglio di cattiva qualità, affidare l'affilatura della lama esclusivamente al personale competente di un centro assistenza autorizzato.

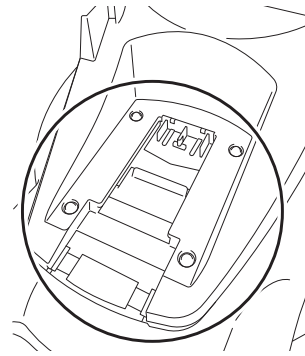
1. Affilare il profilo di taglio della lama con una lima. Affilare soltanto il lato superiore. Mantenere il profilo della smussatura originale per una finitura di taglio ottimale. Affilare uniformemente entrambi i bordi della lama per mantenere la bilanciatura corretta.
2. Dopo l'affilatura, verificare la bilanciatura della lama mediante un cacciavite, come illustrato sopra. Se un lato risulta leggermente più basso della linea orizzontale, limare tale lato. Sostituire la lama se è eccessivamente sbilanciata.



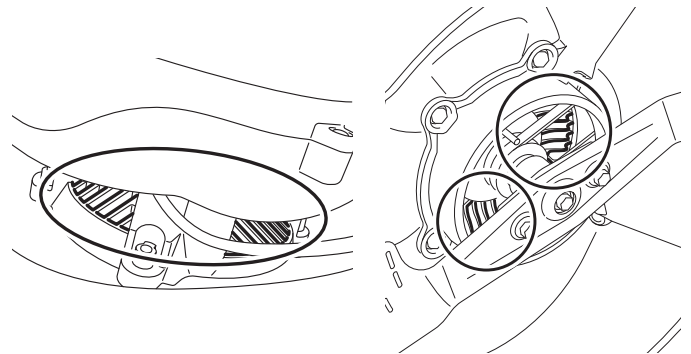
PULIZIA DELLE ALETTE DI RAFFREDDAMENTO DEL MOTORE E DEL VANO BATTERIA

1. Rimuovere la sporcizia e l'erba dall'area circostante le alette di raffreddamento del motore e il vano batteria con un panno morbido e asciutto come mostrato nella figura.

Vano batteria



Alette di raffreddamento del motore



PULIZIA E SOSTITUZIONE DEL SACCO DI RACCOLTA

PULIZIA DEL SACCO DI RACCOLTA

ATTENZIONE:

- Non lavare il sacco con un'idropulitrice ad alta pressione o con un getto di vapore in quanto potrebbe rovinarsi.
- L'eventuale ostruzione delle maglie impedisce all'erba di penetrare nel sacco.
- Per pulire il sacco di raccolta, si consiglia di lavarlo con un getto d'acqua diretto dall'esterno verso l'interno. Lasciare asciugare completamente il sacco prima di riutilizzarlo. Un sacco umido si intasa rapidamente.



AVVERTENZA

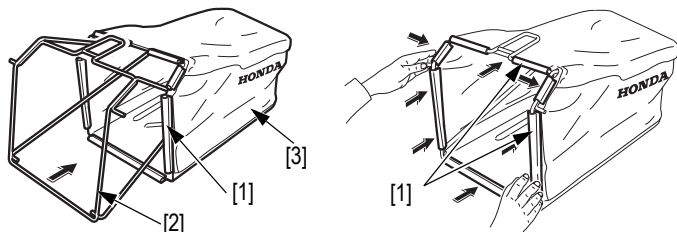
Gli oggetti eventualmente colpiti dalla lama possono venire proiettati attraverso un sacco di raccolta strappato o danneggiato.

Gli oggetti proiettati all'intorno possono provocare gravi lesioni. Un sacco di raccolta strappato o danneggiato deve essere assolutamente sostituito.

SOSTITUZIONE DEL SACCO DI RACCOLTA

Il sacco di raccolta tende ad usurarsi anche in condizioni di lavoro normali. Verificare regolarmente che non sia sfilacciato o strappato. Sostituire un sacco di raccolta danneggiato con un sacco originale Honda.

1. Staccare i bordi in plastica [1] del sacco di raccolta usurato [3] e rimuovere il telaio [2].
2. Inserire il telaio nel sacco nuovo e fissare i bordi in plastica [1] allo stesso.



PULIZIA

Prima di procedere al trasporto o allo stoccaggio, verificare che la macchina sia pulita e priva di detriti; se è necessario, pulire la macchina con un panno morbido e asciutto o uno straccio.

Lavare il sacco di raccolta con acqua mediante una canna da giardinaggio. Non usare un'idropulitrice ad alta pressione. Non utilizzare detersivi per pulire la macchina.

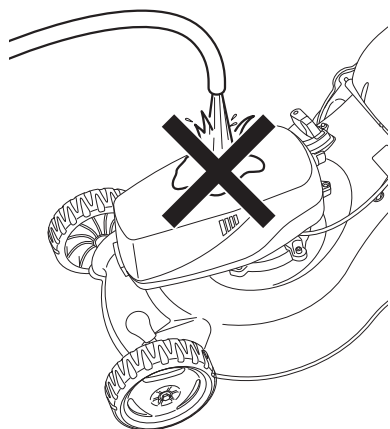
Per migliorare le prestazioni della macchina, mantenere pulito il lato inferiore del piatto.

Mantenere pulita la zona di montaggio del gruppo batterie.

Verificare che il sistema di montaggio e collegamento del gruppo batterie sia privo di sporcizia e frammenti d'erba.

Non usare acqua forzata ed evitare di bagnare il motore e i componenti elettrici.

Non utilizzare detersivi aggressivi per pulire il telaio.



PROGRAMMA DI MANUTENZIONE

NORMALE INTERVALLO DI MANUTENZIONE (3)		A ogni utilizzo	Ogni 100 ore di utilizzo oppure ogni anno	Ogni 150 ore di utilizzo oppure ogni 2 anni	Consultare pagina
Serraggio dei bulloni della lama	Verificare	•			12
Lama di taglio (deformazione/danni)	Verificare	•			7
Sacco di raccolta	Verificare	•			5,11,14
Cavo frizione (solo modello HRX466XB)	Verificare	•			11
	Regolare		•(1)		-
Cavo di innesto della lama	Verificare	•			12
Cinghia di trasmissione	Verificare			•(1)(2)	-
Arresto (solo modello HRX466XB)	Ingrassare		•(2)		-
Alette di raffreddamento del motore	Pulire	•			13
Vano batteria	Pulire	•			13
Rotazione del motore	Verificare	•			7
Esterno della macchina	Verificare	•			7

(1) Sostituire se necessario.

(2) Questi elementi devono essere mantenuti da un centro di assistenza autorizzato, a meno che non si disponga degli attrezzi e delle competenze meccaniche adatte. Per le procedure di manutenzione, consultare il manuale d'officina Honda.

(3) Per l'uso commerciale, registrare le ore di funzionamento per stabilire gli intervalli di manutenzione corretti.

RISOLUZIONE DEI PROBLEMI

La macchina NON FUNZIONA

Possibile causa	Rimedio
Gruppo batterie scarico.	Caricare il gruppo batterie.
Chiave di isolamento non posizionata correttamente.	Accertarsi che la chiave di isolamento sia in posizione "acceso" (I).
Gruppo batterie non inserito correttamente.	Inserire correttamente il gruppo batterie.
Gruppo batterie troppo caldo/freddo.	Lasciare raffreddare/riscaldare il gruppo batterie - Controllare i LED dell'indicatore batteria.
Gruppo batterie guasto.	Sostituire il gruppo batterie con un gruppo nuovo.

La macchina FUNZIONA A INTERMITTENZA

Possibile causa	Rimedio
Cablaggio interno del prodotto danneggiato.	Contattare un centro assistenza autorizzato.
Attivazione del dispositivo di protezione termica del motore o dei componenti elettronici.	Lasciare raffreddare il motore o i componenti elettronici e aumentare l'altezza di taglio.
Cablaggio esterno danneggiato.	Contattare un centro assistenza autorizzato.

IL MOTORE SI ARRESTA SUBITO DOPO L'AVVIAMENTO

Possibile causa	Rimedio
Gruppo batterie non completamente carico.	Controllare l'indicatore batteria - Se necessario caricare il gruppo batterie.
Chiave di isolamento non posizionata correttamente.	Accertarsi che la chiave di isolamento sia in posizione "acceso" (I).
Gruppo batterie non inserito correttamente.	Inserire correttamente il gruppo batterie.
Erba alta e robusta impigliata nella lama.	Spostare la chiave di isolamento in posizione "spento" e sbloccare la lama.
Gruppo batterie troppo caldo/freddo.	Lasciare raffreddare/riscaldare il gruppo batterie - Controllare i LED dell'indicatore batteria.

AREA DI TAGLIO (DURATA DELLA BATTERIA) INSUFFICIENTE

Possibile causa	Rimedio
Altezza di taglio troppo bassa.	Aumentare l'altezza di taglio.
Erba troppo alta.	Aumentare l'altezza di taglio.
Erba troppo fitta.	Aumentare l'altezza di taglio o tagliare l'erba con maggiore frequenza.
Gruppo batterie giunto a fine vita.	Sostituire il gruppo batterie con un gruppo nuovo.
Livello batteria basso.	Prima dell'uso accertarsi che il gruppo batterie sia completamente carico.

PROBLEMI DI TAGLIO E INSACCATURA

Possibile causa	Rimedio
La macchina avanza troppo rapidamente oppure l'erba è troppo alta o troppo fitta.	Quando possibile, avanzare più lentamente o aumentare l'altezza di taglio.
La macchina si muove troppo velocemente per le condizioni del prato.	Contattare un centro assistenza autorizzato. (Eccetto se si spinge la macchina.)
Sacco di raccolta troppo pieno o intasato.	Svuotare il sacco di raccolta. Lavare il sacco di raccolta se è intasato a causa di sporcizia (paginas 11 e 14).
Piatto macchina intasato.	Pulire il piatto macchina (pagina 12).
Lama poco affilata, usurata o danneggiata.	Affilare o sostituire la lama, se necessario (pagina 13).
È stata montata una lama sbagliata.	Montare la lama corretta (pagina 12).

VIBRAZIONI

Possibile causa	Rimedio
Lama allentata, piegata, danneggiata o sbilanciata a causa di un'affilatura non corretta.	Serrare i bulloni della lama allentati. Qualora si riscontri che la lama è piegata o danneggiata, sottoporre la macchina alla verifica da parte di un centro assistenza autorizzato (pagina 13).
Danni meccanici, come ad esempio albero del motore piegato.	La manutenzione di questi elementi deve essere eseguita da un centro assistenza autorizzato.

STOCCAGGIO

PREPARAZIONE PER LO STOCCAGGIO DELLA MACCHINA

Prima di riporre la macchina accertarsi che la chiave di isolamento e il gruppo batterie siano stati rimossi dalla macchina.

Lo stoccaggio corretto è essenziale per garantire la durata del prodotto. Se possibile, evitare zone di stoccaggio molto umide che potrebbero favorire la formazione di ruggine e la corrosione.

Stoccaggio alla fine della stagione:

- Rimuovere il gruppo batterie e riporre sia la macchina che il gruppo batterie in un luogo sicuro e asciutto, lontano dalla luce diretta del sole.
- Non collocare alcun oggetto sulla macchina.
- Eseguire una pulizia approfondita del prodotto prima di procedere allo stoccaggio per un periodo prolungato.

NOTA: Vedere le istruzioni fornite per la procedura di stoccaggio del gruppo batterie.

TRASPORTO

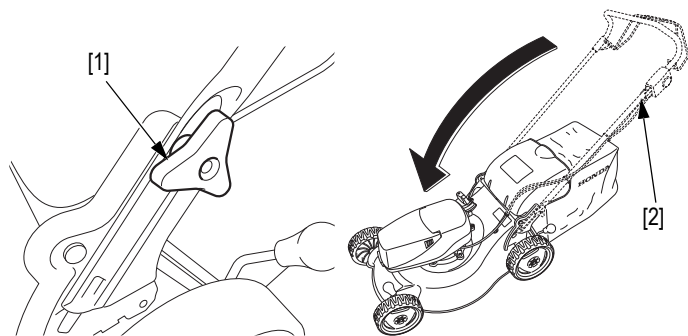
TRASPORTO DELLA MACCHINA

⚠ AVVERTENZA

Prima di trasportare la macchina o ripiegare il manubrio, accertarsi che la chiave di isolamento e il gruppo batterie siano stati rimossi dalla macchina.

Per agevolare le operazioni:

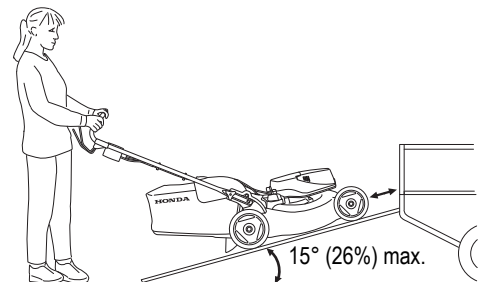
1. Rimuovere il sacco di raccolta (vedi pagina 5).
2. Ruotare le manopole di fissaggio del manubrio [1] e ripiegare il manubrio [2].



NOTA:

Quando si ripiega il manubrio, controllare che i cavi non siano piegati, attorcigliati, troppo tesi o schiacciati.

CARICAMENTO DELLA MACCHINA



ATTENZIONE:

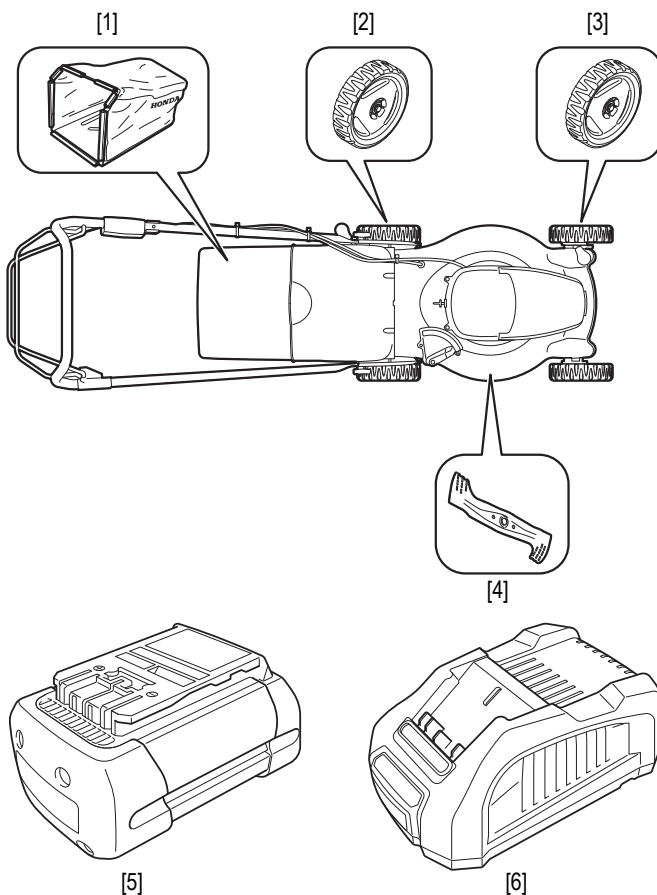
- Per evitare ogni perdita di controllo o danneggiamento della macchina, non utilizzare il sistema di trasmissione su una rampa di carico.
- Per evitare di danneggiare il sistema di trasmissione, non innestare la frizione quando la macchina viene fatta arretrare.
- Trasportare la macchina in posizione orizzontale, con le quattro ruote appoggiate sulla piattaforma del veicolo.
- Si raccomanda di utilizzare una rampa di carico o di farsi aiutare da qualcuno per caricare o scaricare la macchina.
- Regolare la rampa di carico in modo che il suo angolo di inclinazione sia inferiore a 15° (26%).
- In fase di trasporto della macchina, immobilizzarla con apposite cinghie e inserire delle calzoie sotto le ruote.
- Le cinghie non devono toccare le seguenti parti della macchina: leva della frizione, leva di innesto della lama e insieme dei cavi di comando.

INFORMAZIONI UTILI

RIVENDITORI AUTORIZZATI

Consultare il sito Internet europeo:

<http://world.honda.com/>



PARTI STANDARD, ACCESSORI OPZIONALI E CONSUMABILI

Per acquistare una delle parti originali sottoelencate, o qualsiasi altra parte, contattare un centro assistenza autorizzato.

	HRG416XB	HRG466XB		
Parti standard				
[1]	Sacco di raccolta	81320-VH3-R11	81320-VH4-R11	Sacco semplice (senza telaio)
[2]	Ruota posteriore	42710-VH3-R10	42710-VH3-R20	
[3]	Ruota anteriore	44710-VH3-R10		
[4]	Lama standard	72511-VH3-R90	72511-VH4-R90	Richiede l'uso di una chiave dinamometrica
[5]	Gruppo batterie	DP3640XA (standard 4 A) DP3660XA (standard 6 A) DPW3660XA (4 stagioni 6 A) DPW3690XA (4 stagioni 9 A)		
[6]	Caricatore	CV3680XA		

⚠ AVVERTENZA

Per garantire la sicurezza dell'operatore, è severamente vietato montare qualsiasi accessorio diverso da quelli sopraelencati, specificamente progettati per il modello e il tipo di macchina in dotazione.

SPECIFICHE TECNICHE

MODELLO	HRG416XB		HRG466XB	
TIPI	PEEA	PEUA	SEEA	SEUA
CARATTERISTICHE GENERALI				
Codice identificativo	MCEF		MCDF	
Funzione	Taglio di erba			
Dimensioni (lunghezza x larghezza x altezza) mm	1 415 x 453 x 980		1 470 x 497 x 980	
Peso (*) kg	23		27	
Carreggiata ANT/POST mm	369 / 395		419 / 439	
Larghezza di taglio cm	41		46	
Impostazioni dell'altezza di taglio mm	6 posizioni (da 20 a 74 mm)			
Diametro ruote posteriori/anteriori mm	178 / 212			
Capacità sacco di raccolta ℓ	42		50	
Livello di pressione acustica all'orecchio del conducente (secondo la norma EN60335-2-77:2010) dB(A)	79	-	80,2	-
Incertezza di misura dB(A)	1,00	-	1,00	-
Livello di potenza acustica misurata (secondo le direttive 2000/14/CE, 2005/88/CE) dB(A)	88,76	-	90,63	-
Incertezza di misura dB(A)	0,65	-	1,41	-
Livello di potenza acustica garantita (secondo le direttive 2000/14/CE, 2005/88/CE) dB(A)	89	-	92	-
Test di vibrazione (secondo la norma EN60335-2-77:2010)(**) m/s ²	1,07	-	1,33	-
Incertezza di misura m/s ²	0,56	-	0,51	-
MOTORE				
Tipo	MOTORE A 3 TEMPI CC SENZA SPAZZOLE			
Potenza di uscita massima W	1 000		1 800	
Numero di rotazioni senza carico (con lama) giri/min	2 900 ± 40		2 800 ± 40	
TRASMISSIONE				
Tipo	-		Tipo a 1 velocità fissa	
Trasmissione di potenza	-		Cinghia trapezoidale	
Numero di velocità	-		Velocità fissa	
Velocità di avanzamento m/s	-		0,89	
Lubrificazione	-		Bagno d'olio e sbattimento	
Olio consigliato	-		10W40	
Capacità del serbatoio dell'olio cm ³	-		65	

(*) Senza batteria.

(**) Valori validi per una macchina dotato di sacco di raccolta, in posizione di "raccolta erba".

VOORWOORD

Bedankt voor de aanschaf van deze accu-aangedreven Honda-gazonmaaier en voor het vertrouwen dat u in Honda stelt.

Deze handleiding beschrijft het gebruik en het onderhoud van uw nieuwe machine, zodat u deze optimaal kunt gebruiken en onderhouden.

Wij streven ernaar u zoveel mogelijk te laten profiteren van technologische innovatie, van nieuwe functies en materialen en van onze ervaring. Daarom brengen wij voortdurend verbeteringen aan onze modellen aan. Om die reden behouden wij ons het recht voor om zonder voorafgaande kennisgeving aanpassingen aan de specificaties en informatie in deze handleiding aan te brengen zonder enige verplichting tot actualisering van deze handleiding.

De afbeeldingen in deze handleiding tonen het model dat het beste aansluit bij het behandelde onderwerp.

De overige afbeeldingen, die van toepassing zijn voor alle typen, zijn gebaseerd op het type HRG466XB.

In het geval van problemen met of vragen over uw machine kunt u contact opnemen met uw onderhoudsdealer.

Bewaar deze handleiding op een plaats waar u deze gemakkelijk terug kunt vinden om hem te raadplegen. Wanneer u de machine verkoopt, overhandig deze handleiding dan samen met de machine aan de nieuwe eigenaar.

Wij adviseren u de garantiebepalingen goed door te lezen, zodat u weet wat uw rechten en eigen verantwoordelijkheden zijn. De garantiebepalingen worden als apart document door uw leverancier bij de machine meegeleverd.

Niets uit deze handleiding mag zonder voorafgaande schriftelijke toestemming worden veelevoudigd.

VEILIGHEIDSINSTRUCTIES

Voor uw eigen veiligheid en bedieningscomfort adviseren wij u deze handleiding volledig door te lezen.

Let daarbij op de volgende symbolen:



WAARSCHUWING

Waarschuwt voor een hoog risico op ernstig of dodelijk letsel indien de aanwijzingen niet worden opgevolgd.

VOORZICHTIG:


• *Waarschuwt voor het risico op lichamelijk letsel of schade aan de machine indien de aanwijzingen niet worden opgevolgd.*

NB: Aanvullende nuttige informatie.

IDENTIFICATIE VAN DE MACHINE

	CATEGORIE	SERIE	TYPE	OPTIE
Voorbeeld	HRG	416XB	PE	EA
Beschrijving	HRG= Gazonmaaier		P= Duwtype	EA= Europese markt
			S= Zelfrijdend type	UA= Australische markt

Het model van uw accu-aangedreven maaier staat vermeld op de "identificatiesticker" (zie Blz 4) en bestaat uit een serie letters en cijfers.

 _____
Noteer hier het serienummer van uw machine

Noteer hier het modelnummer van uw machine

Honda France Manufacturing S.A.S. - Pôle 45 - Rue des Châtaigniers
45140 ORMES - FRANKRIJK - Alle rechten voorbehouden

3RVAA601
00X3R-VAA-6010

HRG416XB
HRG466XB

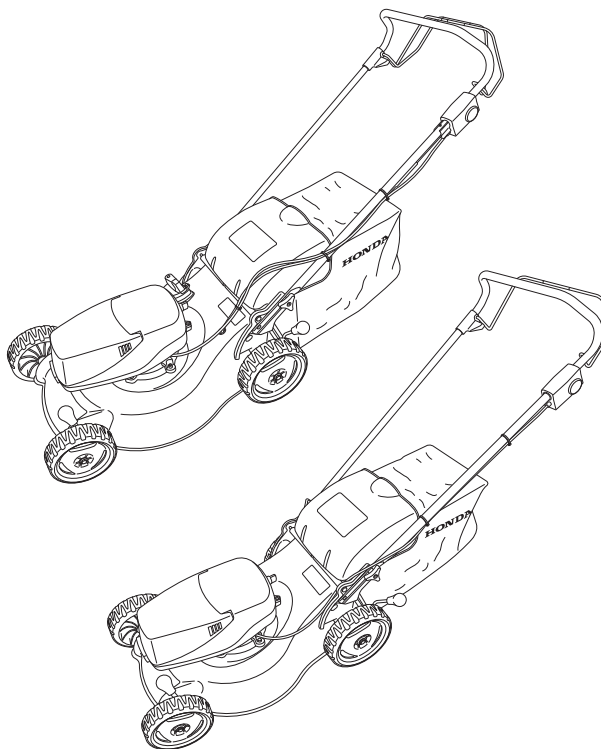
2020
Gedrukt in Frankrijk

HONDA

GEBRUIKERSHANDLEIDING

VERTALING VAN DE OORSPRONKELIJKE GEBRUIKSAANWIJZING
GEBRUIKERSHANDLEIDING

Accu-aangedreven gazonmaaier HRG416XB • HRG466XB



Voor het gebruik van deze machine zijn een specifieke accu en oplader vereist. Deze worden afzonderlijk verkocht.

INHOUD

Voorwoord	1
Veiligheidsinstructies	2
Waarschuwingstickers	4
Identificatie van de machine	4
Algemene beschrijving	4
Vorbereidingen en controles voor gebruik	5
Selecteren van de maaimodus (alleen HRG466XB)	8
Maaien	9
Praktische informatie en tips voor gebruik	9
Onderhoud	11
Problemen oplossen	15
Opslag	15
Transport	16
Nuttige informatie	16
Technische gegevens	17
Adressen van Honda-importeurs	18
OVERZICHT INHOUD "EU-conformiteitsverklaring"	19

NEDERLANDS

VEILIGHEIDSINSTRUCTIES

ZORGVULDIG NA TE LEVEN

Lees zorgvuldig alvorens de machine te gebruiken.



Waarschuwt voor een hoog risico op ernstig of dodelijk letsel indien de aanwijzingen niet worden opgevolgd.

VOORZICHTIG:

- *Waarschuwt voor het risico op lichamelijk letsel of schade aan de machine indien de aanwijzingen niet worden opgevolgd.*

NB: Aanvullende nuttige informatie.

A) VERTROUWD RAKEN

- 1) Lees deze instructies zorgvuldig. Maak uzelf vertrouwd met de bediening en het juiste gebruik van de machine. Leer hoe u de motor snel kunt uitschakelen.
- 2) Laat de machine nooit gebruiken door kinderen of mensen die niet bekend zijn met deze instructies voor gebruik. Volgens de plaatselijke wetgeving kan voor de gebruiker een minimumleeftijd gelden.
- 3) Gebruik de machine nooit:
 - Wanneer er andere mensen, vooral kinderen, of huisdieren in de nabijheid zijn.
 - Wanneer u onder de invloed bent van medicijnen of stoffen die de concentratie en reactiesnelheid kunnen beïnvloeden.
- 4) Wees u ervan bewust dat u als gebruiker verantwoordelijk bent voor ongevallen of gevaren voor andere mensen of hun eigendommen.
- 5) Probeer nooit om aanpassingen te doen aan de machine. Dit kan leiden tot ongevallen en schade aan de machine. Knoeien met de machine maakt de EU-typegoedkeuring van de machine ongeldig.

B) VOORBEREIDINGEN

- 1) Draag tijdens het maaien stevige schoenen en een lange broek. Werk nooit blootsvoets of met open schoeisel met de machine. Vermijd het dragen van wijdvallende kleding, kleding met loshangende delen of stropdassen. Draag anti-vibratiehandschoenen om de effecten van trillingen te verminderen. Draag gehoorbescherming om de effecten van lawaai te verminderen.
- 2) Controleer het te maaien gazon zorgvuldig en verwijder alle voorwerpen (stenen, takken, draden, botten enz.) die door de machine kunnen worden weggeslingerd of die het maaidek of de motor kunnen beschadigen.
- 3) Voer voor gebruik altijd een algemene inspectie uit en let er in het bijzonder op of het maaimes, de schroeven en het maaidek niet beschadigd of versleten zijn. Vervang beschadigde of versleten messen en schroeven altijd als complete set om een juiste balancering te waarborgen. Vervang beschadigde of onleesbaar geworden stickers.
- 4) Controleer voor gebruik de accu op tekenen van beschadiging of veroudering. Gebruik de machine niet als de accu beschadigd of versleten is. Controleer of de accupolen niet zijn kortgesloten.
- 5) Gebruik de machine niet zonder dat het uitwerpscherm of de grasvanger is geplaatst.

C) BEDIENING

- 1) Maai alleen bij daglicht of goed kunstlicht.
- 2) Vermijd het maaien van nat gras of wanneer het regent.
- 3) Zoek op hellingen altijd voldoende steun voor uw voeten.
- 4) Ga niet rennen met de machine. Laat uzelf niet door de machine meetrekken.
- 5) Maai op hellingen altijd in dwarsrichting, nooit van boven naar beneden of omgekeerd.
- 6) Wees op hellingen altijd zeer voorzichtig bij richtingveranderingen.
- 7) Gebruik de machine nooit op zeer steile hellingen. Maai niet op hellingen steiler dan 20° (36%).

- 8) Wees bijzonder voorzichtig wanneer u de machine naar u toe trekt.
- 9) Stop het maaimes als de machine moet worden gekanteld om over andere dan grasoppervlakken te rijden en bij het transport van de machine naar en van het gebruiksgebied.
- 10) Gebruik de machine nooit wanneer de afschermpalen beschadigd zijn of zonder dat de grasvanger of het stenenschild is aangebracht.
- 11) Schakel de motor voorzichtig in volgens de instructies en houd uw voeten uit de buurt van het mes.
- 12) Kantel de machine niet tijdens het starten van de motor, tenzij dit voor het starten noodzakelijk is. Houd de machine in dat geval niet schuiner dan strikt noodzakelijk is en til alleen het gedeelte op dat het verst van u vandaan is. Houd altijd beide handen in de werkpositie voordat u de machine weer vlak neerzet.
- 13) Schakel de machine niet in terwijl u voor de uitwerp-opening staat.
- 14) Houd uw handen en voeten uit de buurt van draaiende delen. Houd afstand van de uitwerp-opening.
- 15) Vervoer de machine niet terwijl de motor draait.
- 16) Verwijder de accu en de sleutel van de hoofdstroomschakelaar of zet de sleutel van de hoofdstroomschakelaar in de stand 'O' (uit):
 - Wanneer u de machine onbeheerd achterlaat.
 - Voordat u blokkeringen of verstopping van het uitwerpkanaal probeert te verhelpen.
 - Voordat u begint met controle-, schoonmaak- of onderhoudswerkzaamheden aan de machine.
 - Nadat u een vreemd voorwerp hebt geraakt. Controleer de machine op schade en herstel deze indien nodig voordat u de machine herstart en weer gaat gebruiken.Als de machine abnormaal begint te trillen, doe dan onmiddellijk het volgende.
 - Controleer de machine op beschadigingen.
 - Vervang of repareer beschadigde onderdelen.
 - Controleer de machine op loszittende onderdelen en zet deze vast.
- 17) Zet in de volgende gevallen altijd de motor uit:
 - Voordat u de grasvanger gaat verwijderen of aanbrengen.
 - Voordat u de maaihoogte gaat afstellen.
- 18) Bevestig de sleutel van de hoofdstroomschakelaar niet met een koord aan de machine.
- 19) Blijf tijdens het maaien op veilige afstand van het maaimes (komt overeen met de lengte van de duwbeugel).
- 20) **WAARSCHUWING** - Wanneer er tijdens het maaien iets defect raakt of er een ongeluk plaatsvindt, zet dan onmiddellijk de motor uit en zet de machine weg om verdere schade te voorkomen. Verleen in het geval van een ongeluk met letsel bij uzelf of anderen onmiddellijk passende eerste hulp en neem contact op met een arts of de hulpdiensten voor eventueel verder vereiste hulpverlening. Verwijder zorgvuldig eventuele brokstukken die wanneer ze onopgemerkt blijven verdere schade of letsel bij personen of dieren kunnen veroorzaken.
- 21) De in deze handleiding aangegeven geluids- en trillingsniveaus zijn de maximumwaarden voor het gebruik van de machine. Het gebruik van een niet-uitgebalanceerd maaimes, overmatige toerentallen en een gebrek aan onderhoud hebben een aanzienlijke invloed op de geluidsafgifte en trillingen. Daarom moeten preventieve maatregelen worden genomen om alle mogelijke schade door hoge geluidsniveaus en overbelasting door trillingen te voorkomen. Zorg dat de machine goed wordt onderhouden en draag geluidsbescherming tijdens het maaien. Pauzeer regelmatig gedurende de werkzaamheden.

D) ONDERHOUD EN OPSLAG

- 1) Zorg dat alle moeren en schroeven altijd stevig zijn aangedraaid om een veilige werking van de machine te verzekeren. Regelmatig onderhoud is belangrijk voor het waarborgen van de veiligheid en een goede werking van de machine.
- 2) Controleer de grasvanger en het stenenschild regelmatig op slijtage of beschadiging.
- 3) Let er bij het afstellen van de machine op dat uw vingers niet tussen het bewegende maaimes en de vaste delen van de machine komen.
- 4) Laat de machine altijd afkoelen alvorens deze op te bergen.
- 5) Houd er bij onderhoud aan het maaimes rekening mee dat ook als de machine is uitgeschakeld, het mes nog steeds kan draaien.
- 6) Gebruik de machine om veiligheidsredenen nooit wanneer onderdelen ervan versleten of beschadigd zijn. Versleten of beschadigde onderdelen moeten worden vervangen en mogen niet worden gerepareerd. Gebruik uitsluitend originele vervangingsonderdelen. Gebruik van vervangende onderdelen van mindere kwaliteit kan leiden tot beschadiging van de machine en uw veiligheid in gevaar brengen.
- 7) Houd om het risico op brandgevaar te verkleinen de machine, en vooral de motor, vrij van gras, bladeren en overtollig vet. Zet bakken met gemaaid gras niet binnen.
- 8) Gebruik voor het reinigen van de grasvanger een tuinslang. Maak de machine niet schoon met een hogedrukreiniger.
- 9) Een juiste opslag is essentieel voor een lange levensduur van de machine. Vermijd opslag in ruimten met een hoge luchtvochtigheid die roest of corrosie kan veroorzaken.
- 10) Opslag aan het einde van het seizoen: Verwijder de accu en zet zowel de machine als de accu op een droge en veilige plaats die niet is blootgesteld aan direct zonlicht. Plaats geen voorwerpen op de machine.
- 11) Maak de machine bij opslag voor een langdurige periode eerst goed schoon.

E) ALGEMENE VOORZORGSMAATREGELEN

- 1) Laat reparaties uitvoeren door uw onderhoudsdealer. Als de machine abnormaal begint te trillen, zet dan de hoofdstroomschakelaar uit en verwijder de sleutel uit de hoofdstroomschakelaar. Neem vervolgens contact op met uw onderhoudsdealer om de machine te laten controleren.
- 2) Houd tijdens het inschakelen van de motor beide handen aan de duwbeugel.
- 3) Laat slijtageonderdelen uitsluitend vervangen door uw onderhoudsdealer.
- 4) Gebruik de machine nooit als de accu beschadigd of versleten is.
- 5) Raak het maaimes niet aan voordat de sleutel uit de hoofdstroomschakelaar is verwijderd en het maaimes volledig tot stilstand is gekomen.
- 6) Zorg dat de machine vrij is van vuil alvorens deze te vervoeren of op te slaan. Maak de machine zo nodig schoon met een zachte, droge borstel.
- 7) Spuit de motor of de elektrische componenten niet af met water en voorkom dat deze nat worden. Gebruik geen schurende reinigingsmiddelen voor het schoonmaken van het onderstel.
- 8) Voor een goede werking van de machine verdient het aanbeveling de binnenzijde van de kap schoon te houden. Let erop dat het aansluitvlak voor de accu schoon blijft.
- 9) Berg de sleutel van de hoofdstroomschakelaar veilig op en houd deze uit de buurt van kinderen.

F) AANVULLENDE WAARSCHUWINGEN

- 1) **WAARSCHUWING** - GEVAAR! Vocht en elektriciteit gaan niet samen:
 - Behandel of plaats de accu altijd in een droge omgeving.
 - Voorkom aanraking van de accu met natte oppervlakken (plassen of nat gras).
- 2) Draag werkhandschoenen bij het verwijderen of plaatsen van het maaimes.
- 3) Controleer na het slijpen van het maaimes altijd of het nog in balans is. Verwijderen, slijpen, balanceren, monteren, vervangen en andere werkzaamheden aan het maaimes zijn specialistische werkzaamheden die zowel vakkundigheid als speciaal gereedschap vereisen. Laat deze werkzaamheden daarom bij voorkeur uitvoeren door uw onderhoudsdealer.
- 4) Aanbevelingen voor optimale hantering van de accu en de oplader.
 - WAARSCHUWING** - Probeer nooit niet-oplaadbare accu's met de oplader op te laden.
 - Controleer of de sleutel van de hoofdstroomschakelaar in de uit-stand staat en de andere bedieningselementen in de neutraalstand staan voordat u de accu gaat installeren. Plaatsen van de accu wanneer de machine niet is uitgeschakeld kan gevaarlijk zijn.
 - Plaats de accu en druk het aan totdat het vastklikt. Druk de ontgrendelingsbeugel in om het accudeksel te openen en de accu te verwijderen.
- 5) De accu moet uit de machine worden verwijderd voordat deze wordt opgeladen.

G) TRANSPORT EN HANTERING VAN DE MACHINE

- 1) Neem bij het hanteren, optillen, vervoeren of kantelen van de machine altijd de volgende voorzorgsmaatregelen in acht:
 - Draag stevige werkhandschoenen.
 - Draag de machine aan punten die voldoende grip bieden en houd rekening met het gewicht en de gewichtsverdeling van de machine.
 - Zorg voor voldoende hulp van anderen afhankelijk van het gewicht van de machine, het voertuig waarmee de machine wordt vervoerd of de plaats waar de machine moet worden opgehaald of neergezet.
- 2) Sij de machine tijdens transport stevig vast met touwen of spanbanden.
- 3) Controleer voordat u de machine gaat vervoeren of de duwbeugel inklappt of de accu en de sleutel van de hoofdstroomschakelaar uit de machine zijn verwijderd.

WAARSCHUWINGSSTICKERS

Bij het gebruik van uw machine is voorzichtigheid altijd geboden. Daarom is de machine voorzien van een aantal stickers met symbolen die wijzen op de belangrijkste risico's waar u rekening mee moet houden. De betekenis ervan wordt hieronder uitgelegd. Deze stickers moeten worden beschouwd als onderdeel van de machine. Laat stickers die zijn losgeraakt of onleesbaar zijn geworden vervangen door uw onderhoudsdealer. Wij adviseren ook de veiligheidsvoorschriften (zie Blz 2) aandachtig door te lezen.

Europese markt (PEEA, SEEA)	Australische markt (PEUA, SEUA)

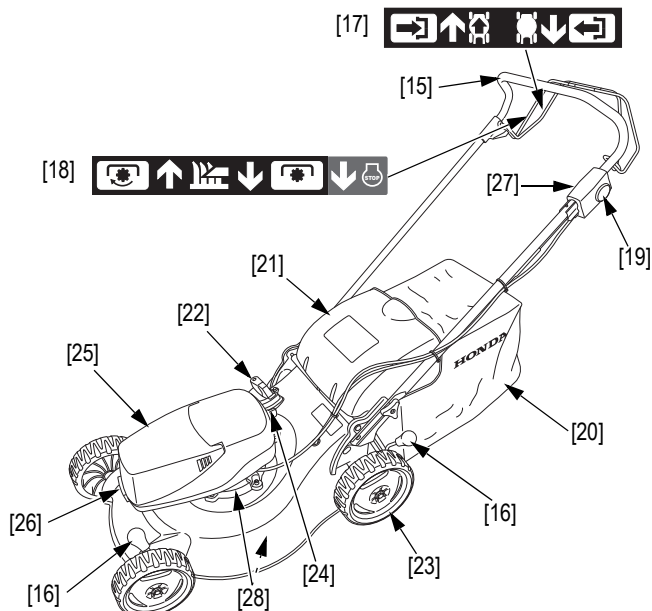
- WAARSCHUWING:** Lees alvorens de machine te gebruiken deze gebruikershandleiding door.
- Gevaar voor wegschietende voorwerpen: zorg dat andere personen uit de buurt blijven tijdens het gebruik van de machine.
- Gevaar voor snijwonden. Sneldraaiend mes: Steek uw handen of voeten niet in het maaidek. Zet de sleutel van de hoofdstroomschakelaar in de stand 'O' (uit) en verwijder de accu en de sleutel van de hoofdstroomschakelaar voordat u de machine gaat afstellen of reinigen of de machine ergens voor korte of lange tijd onbeheerd achterlaat. Het maaimes blijft nog enige tijd draaien nadat de motor is uitgeschakeld.
- Gebruik de machine niet zonder dat het uitwerpscherm of de grasvanger is geplaatst.

IDENTIFICATIE VAN DE MACHINE

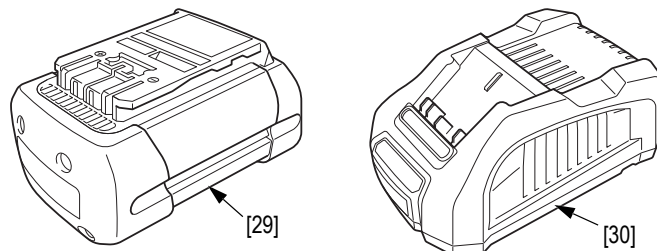
Europese markt (PEEA, SEEA)	Australische markt (PEUA, SEUA)

- Geluidsniveau
- CE-markering
- Nominale spanning
- Aanbevolen motortoerental in min^{-1} (tpm)
- Gewicht in kilogram
- Productiejaar
- Serienummer
- Model - Type
- Naam en adres van de fabrikant
- IP-code (bescherming tegen binnendringen van vocht en stof (alleen gegarandeerd wanneer de accu is geïnstalleerd))

ALGEMENE BESCHRIJVING



Accu en oplader
***Voor het gebruik van deze machine zijn een specifieke accu en oplader vereist. Deze worden afzonderlijk verkocht.**



BENAMING VAN DE ONDERDELEN

ONDERDEEL	FUNCTIE
[15] Duwbeugel	
[16] Maaihoogte-regelaar	Instellen van de gewenste maaihoogte
[17] Koppelingsbeugel (alleen HRG466XB)	Koppelen en ontkoppelen van de aandrijving van de achterwielen.
[18] Mesbedieningsbeugel	Inschakelen en stopzetten van het maaimes
[19] Gele knop	In- en uitschakelen van de motor d.m.v. een dubbelwerkende schakelaar die onbedoeld inschakelen voorkomt
[20] Grasvanger	Verzamelen van het gemaaid gras
[21] Uitwerpscherm	Beschermt tegen wegschietende voorwerpen
[22] Maaimodusregelaar (alleen HRG466XB)	Schakelen tussen versnipperen/uitwerp achter
[23] Achterwielen	
[24] Sleutel hoofdstroomschakelaar	
[25] Accudeksel	
[26] Ontgrendelingsbeugel accudeksel	
[27] Accu-indicator	
[28] Motorkoelribben	
[29] Accu	
[30] Oplader	

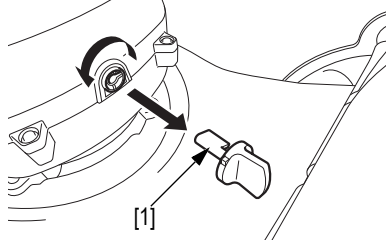


Gooi elektrische apparaten niet samen met huishoudelijk afval weg. Als elektrische apparaten worden weggegooid op vuilnisbelten of stortplaatsen kunnen gevaarlijke stoffen weglekken en reageren en in de voedselketen terecht komen, wat de gezondheid en het welzijn van mens en dier kan schaden. Neem voor meer informatie over de verwijdering van dit product contact op met uw onderhoudsdealer of uw plaatselijke afvalinzamelaar.

VOORBEREIDINGEN EN CONTROLES VOOR GEBRUIK

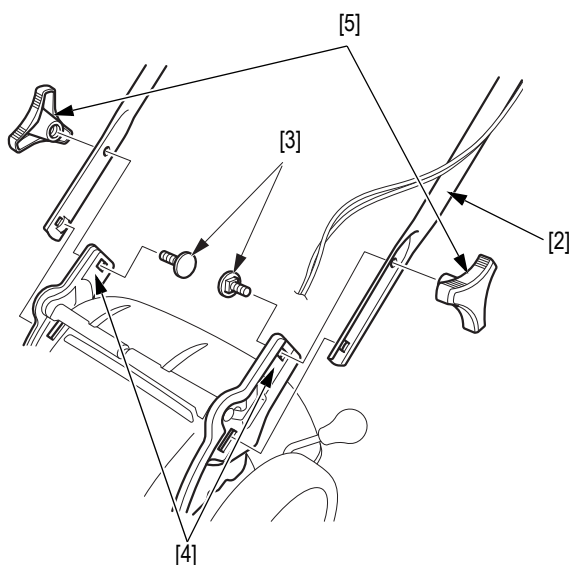
⚠ WAARSCHUWING

Plaats de machine voor het uitvoeren van deze controles op een stabiele, vlakke ondergrond met de sleutel van de hoofdstroomschakelaar [1] en de accu verwijderd.



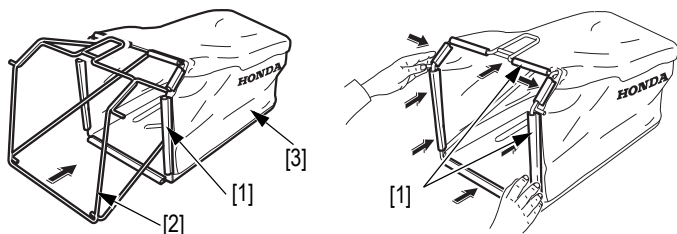
VERSTELLEN VAN DE DUWBEUGEL

1. Zorg dat de grasvanger is verwijderd.
2. Bevestig de beugel [2] aan het frame van het maaidek met de kabel(s) aan de linkerzijde.
3. Breng de twee bouten [3] van binnenuit aan in de bevestigingspunten [4] van de beugel. Draai de bouten vast met behulp van de twee beugelbevestigingsknoppen [5]. Draai de knoppen stevig vast.



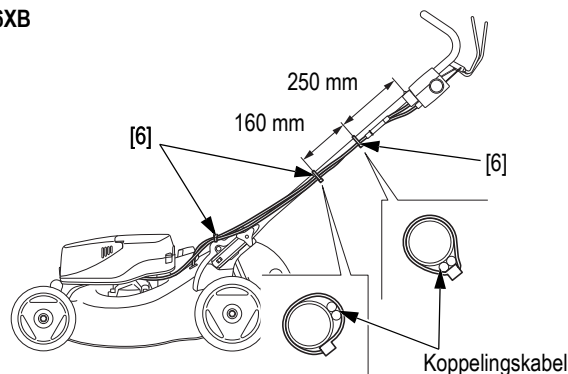
MONTEREN VAN DE GRASVANGER

Plaats het frame [2] in de grasvangerzak [3] en bevestig de plastic randen [1] op het frame.

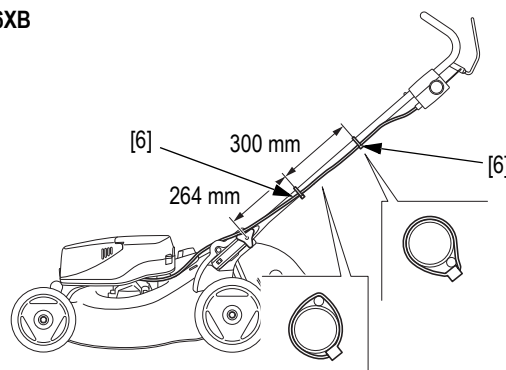


4. Controleer of de kabel(s) over de linker bevestigingsknop lopen en met kabelbinders [6] aan de linkerbeugelbuis zijn bevestigd, zoals weergegeven in de afbeelding.

HRG466XB



HRG416XB



CONTROLLEREN VAN DE GRASVANGER

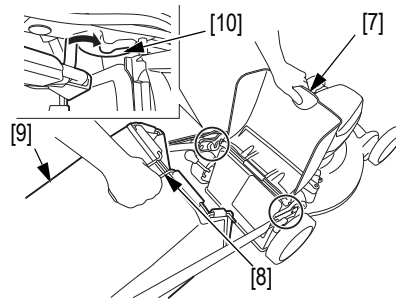
⚠ WAARSCHUWING

Controleer voor gebruik of de afdekkap van de grasvanger (het uitwerpscherm) goed is aangebracht.

Ook bij normaal gebruik kan de grasvanger slijten. Controleer daarom regelmatig of de zak niet is gerafeld of gescheurd. Een versleten grasvanger moet worden vervangen. Vervang een versleten of beschadigde grasvanger uitsluitend door een origineel exemplaar van Honda.

Verwijderen van de grasvanger:

1. Til het uitwerpscherm [7] op, pak de handgreep [8] vast en verwijder de grasvanger [9] terwijl u deze rechtop houdt.



Aanbrengen van de grasvanger:

1. Til het uitwerpscherm op en hang de voorzijde van de grasvanger aan de bevestigingshaken [10] op de machine.

NB:

- De machine werkt als een stofzuiger: hij blaast lucht in de grasvanger waardoor het maaisel wordt aangezogen. Leeg de grasvanger voordat hij helemaal vol raakt. Dit vergemakkelijkt het legen en voorkomt verlies van het maaisel. Het aanzuigvermogen neemt af wanneer de zak voor ongeveer 90% vol is.
- Alleen HRG466XB: Mulching (versnipperen) is een natuurlijke bemestingsstechniek. Het gemaaid gras wordt daarbij niet in de grasvanger verzameld, maar fijn versnipperd en over het gazon verspreid. Het fijn versnipperde gras composteert in de zon en vormt een natuurlijke humus die kan voorzien in een kwart van de jaarlijkse bemestingsbehoefte van het gazon.
- Naast zijn bemestingsfunctie heeft mulching een beschermende werking op de grond, gaat het verdamping tegen tijdens droge periodes en maakt het bijeenharken van het gemaaid gras overbodig.

GEREEDMAKEN VAN DE ACCU

Om de machine te kunnen gebruiken, moet hierin een opgeladen accu zijn geplaatst. Zie [Blz 6](#) voor hantering van de accu.

PLAATSEN EN VERWIJDEREN VAN DE ACCU

⚠ WAARSCHUWING

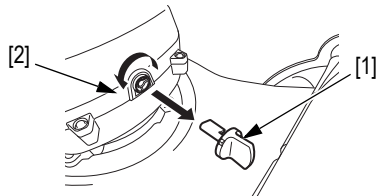
Plaats en verwijder de accu nooit met natte handen of onder regenachtige omstandigheden.

VOORZICHTIG:

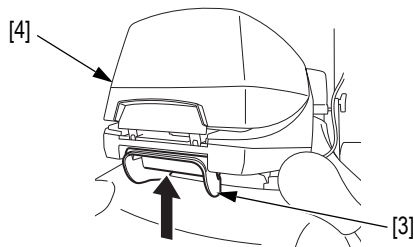
- Let er bij het sluiten van het accudeksel op dat uw vingers niet door het deksel bekneld raken.
- Voer elke handeling nauwgezet uit om letsel te voorkomen.
- Gebruik uitsluitend de Honda-accu.

Installatie:

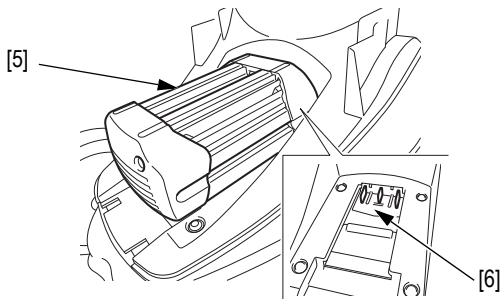
1. Draai de sleutel van de hoofdstroomschakelaar [1] in de stand 'O' (uit) [2] en verwijder de sleutel uit de motor.



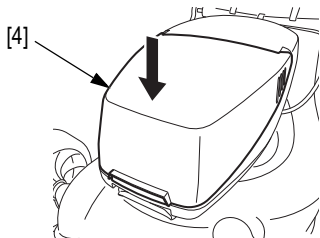
2. Druk de ontgrendelingsbeugel [3] van het accudeksel in om het accudeksel [4] te openen.



3. Controleer of het aansluitvlak voor de accu schoon is. Plaats de accu [5] tegen de aansluiting [6]. **Druk de accu aan totdat u een klikgeluid hoort.**



4. Sluit het accudeksel zorgvuldig.



OPMERKING:

Controleer telkens als u het deksel opent of de accu goed is aangesloten alvorens het deksel te sluiten.

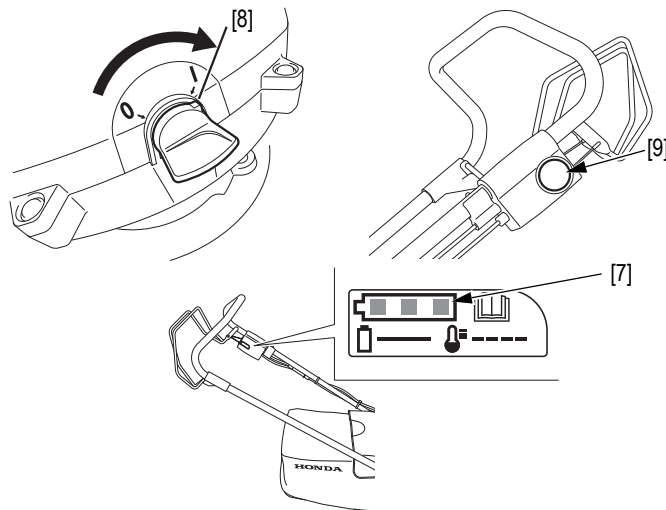
Verwijderen:

1. Draai de sleutel van de hoofdstroomschakelaar in de stand 'O' (uit) en verwijder de sleutel uit de motor.
2. Druk de ontgrendelingsbeugel van het accudeksel in om het accudeksel te openen. Als het deksel wordt geopend, **komt de accu tegelijk los uit de houder.**
3. Neem de accu weg.
4. Sluit het accudeksel zorgvuldig.

CONTROLE VAN HET ACCULAADNIVEAU

Het laadniveau van de accu kan worden bepaald met behulp van de accu-indicator [7] op de linkerbuis van de duwbeugel.

1. Plaats de accu in de machine.
2. Plaats de sleutel van de hoofdstroomschakelaar in de motor en draai de sleutel in de stand 'I' (aan) [8].
3. Druk op de gele knop [9]: de accu-indicator gaat aan.

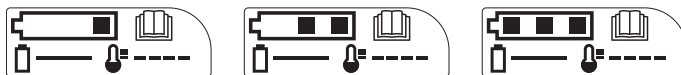


4. De resterende accucapaciteit wordt aangegeven in 3 niveaus.

Betekenis leds van de accu-indicator

- De leds geven de status van de accu en de machine aan.
- Als de accu is geïnstalleerd en de sleutel van de hoofdstroomschakelaar in de aan-stand staat, gaan de leds branden als de gele knop of de mesbedieningsbeugel worden bediend.
- De leds lichten ongeveer 48 seconden op.
- Als de motor draait, branden de leds niet.

De leds geven de status van de accu en de machine als volgt aan:



1 Led aan

0% < laadniveau ≤ 30%

2 Led aan

30% < laadniveau ≤ 60%

3 Led aan

60% < laadniveau ≤ 100%

Led 1 knippert

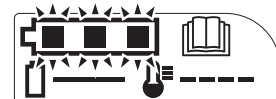
Laadniveau 0% = accu leeg



Led 3 knippert

Motor is uitgeschakeld vanwege te hoge temperatuur van de motor of accu.

Zet de sleutel van de hoofdstroomschakelaar in de stand 'O' (uit) en laat de machine 30 tot 60 minuten afkoelen.



Laad de accu op als het laadniveau laag is.

Zie de bijgevoegde instructies voor de accu en de oplader.

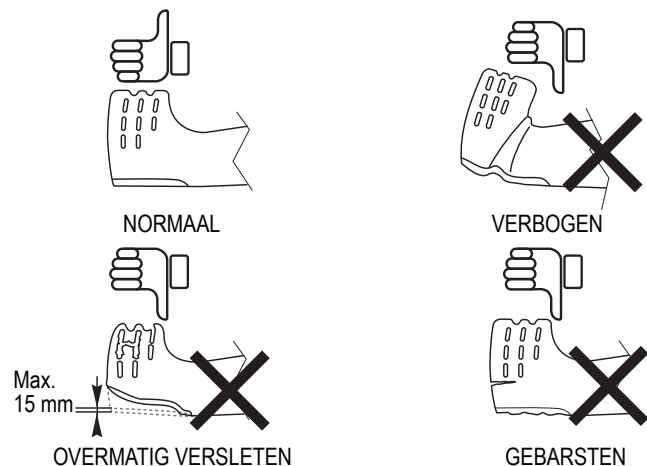
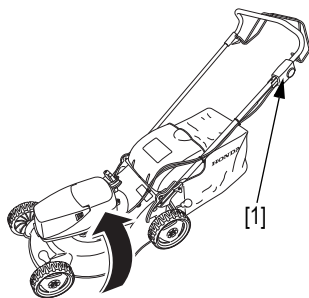
OPLADEN VAN DE ACCU

Zie de bijgevoegde instructies voor de accu en de oplader.

CONTROLLEREN VAN HET MAAIMES

Ga bij het nakijken van het maaimes als volgt te werk:

1. Controleer of de accu en de sleutel van de hoofdstroomschakelaar uit de machine zijn verwijderd.
 2. Kantel de machine naar rechts zodat de gele knop [1] aan de bovenzijde komt.
- Controleer het maaimes op tekenen van slijtage. Het maaimes moet worden vervangen als de gaten in elkaar overgaan of als het mes is gescheurd of verbogen.



- Controleer of de mesbevestigingsbouten goed vastzitten (zie het hoofdstuk "Onderhoud" Blz 11).
- Raadpleeg voor het vervangen of verwijderen van het maaimes de procedure die is beschreven op Blz 11 in het hoofdstuk "Onderhoud".

WAARSCHUWING

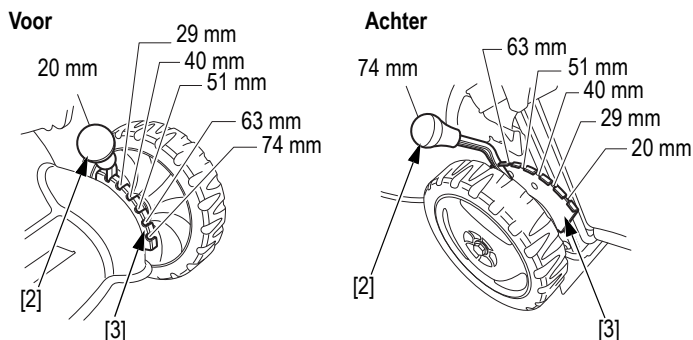
Gebruik de machine nooit met een versleten of beschadigd maaimes. Afbroeken stukjes mes kunnen met grote snelheid worden uitgeworpen en ernstig lichamelijk letsel veroorzaken.

NB: Maaimessen slijten sneller wanneer de machine op zandige grond wordt gebruikt. Controleer in dat geval het mes vaker.

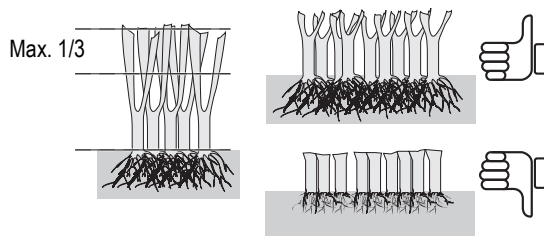
INSTELLEN VAN DE MAAIHOOGTE

Ga bij het aanpassen van de maaihoogte als volgt te werk:

1. Verwijder de accu en de sleutel van de hoofdstroomschakelaar of zet de sleutel van de hoofdstroomschakelaar in de stand 'O' (uit).
2. Trek de verstelhendel [2] naar het wiel en plaats deze in een stelgroef [3]. De verstelhendel en stelgroeven bevinden zich nabij het linkervoor- en linkerachterwiel.



De instellingen voor de maaihoogte zijn geschatte waarden. De werkelijke hoogte waarop het gras wordt afgesneden, varieert al naar gelang de staat van het gazon en de ondergrond. Voor het nauwkeurig bepalen van de maaihoogte kunt u het best eerst een proefstukje maaien en vervolgens zo nodig de maaihoogte aanpassen.



NB:

- Snij per maaibeurt niet meer dan 1/3 van de oorspronkelijke lengte van het gras af. Anders kunnen er bruine plekken ontstaan. Het zorgt voor een gelijkmatig gazon en vermindert de kans op verstopping van het maaidek of het uitwerpkanaal.
- Als het gras erg lang is, maai het dan eerst op de maximaal toegestane maaihoogte. en maai het 2 of 3 dagen later opnieuw.
- Hoe langer de grassprietten, hoe dieper de wortels de grond in gaan. Wanneer u het gazon kort houdt, zullen de wortels dus ook korter blijven.
- Houd bij het bepalen van de maaihoogte rekening met het gebruik van het gazon: voor een speel- of sportgazon verdient een graslengte van 5 cm de voorkeur, voor een siergazon volstaat 1 tot 3 cm.
- Alleen enkele specifieke grassoorten zijn geschikt om zeer kort te worden gemaaid. Een te kort gemaaid gazon is kwetsbaar en gevoelig voor droogte. Vraag advies aan een specialist.

MESBEVESTIGINGSBOUTEN OP LOSZITTEN CONTROLLEREN

Zie "MONTEREN EN DEMONTEREN VAN HET MAAIMES" (Blz 12).

KOPPELINGSKABEL CONTROLLEREN (ALLEEN HRG466XB)

Zie "CONTROLLEREN VAN DE KOPPELINGSKABEL (ALLEEN HRG466XB)" (Blz 11).

MESBEDIENINGSKABEL CONTROLLEREN

Zie "CONTROLLEREN VAN DE MESBEDIENINGSKABEL" (Blz 12).

MOTORKOELRIBBEN EN ACCULOCATIE CONTROLLEREN

Zie "REINIGEN VAN MOTORKOELRIBBEN EN ACCULOCATIE" (Blz 13).

CONTROLLEREN VAN DE MOTORROTATIE

Controleer op storingen, ongewone geluiden of abnormale trillingen door de motor te laten draaien en weer te stoppen.

Als de motor een storing, ongewone geluiden of abnormale trillingen vertoont, stop dan de motor, stop met het gebruik van de machine en neem contact op met uw onderhoudsdealer.

ALGEMENE CONTROLE VAN DE MACHINE

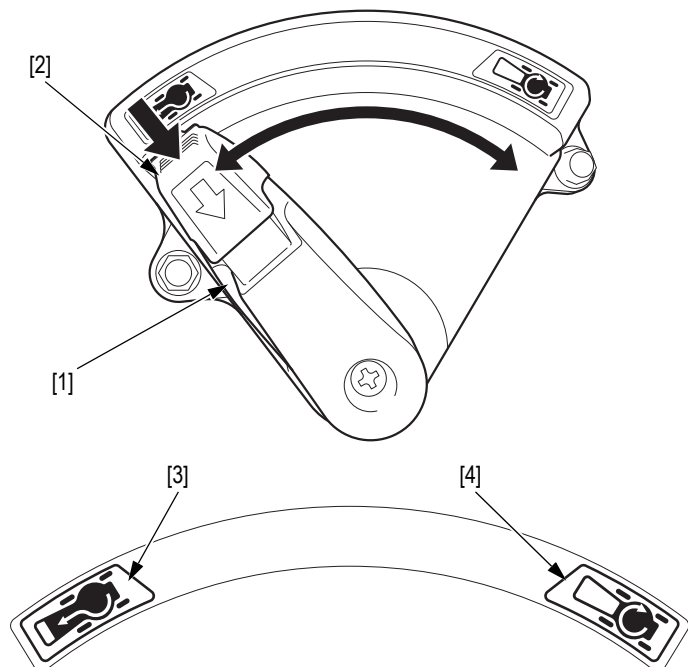
Controleer de algemene toestand van de machine en verwijder vuil, gras en vreemde voorwerpen.

SELECTEREN VAN DE MAAIMODUS (ALLEEN HRG466XB)

INSTELLEN VAN DE MAAIMODUSREGELAAR

De maaimodus kan worden ingesteld met de maaimodusregelaar [1].

1. Laat de mesbedieningsbeugel en de koppelingsbeugel los.
2. Druk de ontgrendelingsknop [2] in en draai de maaimodusregelaar in de gewenste stand.



- Stand "Opvangen" [3]: al het gemaaid gras wordt aan de achterkant van de maaimachine uitgeworpen of in de grasvanger verzameld. Het maaisel wordt niet versnipperd. Als de grasvanger is aangebracht, wordt het uitgeworpen gras opgevangen in de grasvanger. Als de grasvanger niet is aangebracht, wordt het gras uitgeworpen op de grond. Zie [Blz 5](#) voor het verwijderen of aanbrengen van de grasvanger.

- Stand "Versnipperen" [4]: het gemaaid gras wordt niet achter uitgeworpen, maar fijn versnipperd en over het gazon verspreid. Het fijn versnipperde gras composteert in de zon en vormt een natuurlijke humus die kan voorzien in een kwart van de jaarlijkse bemestingsbehoefte van het gazon.

NB:

- Mulching (versnipperen) is een natuurlijke bemestingstechniek. Het gemaaid gras wordt daarbij niet in de grasvanger verzameld, maar fijn versnipperd en over het gazon verspreid.
- Naast zijn bemestingsfunctie heeft mulching een beschermende werking op de grond, gaat het verdamping tegen tijdens droge periodes en maakt het bijeenharken van het gemaaid gras overbodig.

UITWORP

Als u het gemaaid gras niet wilt verzamelen, kunt u de machine ook zonder de grasvanger in de versnipperstand gebruiken [3]. In dat geval wordt het gemaaid gras via het uitwerpscherm op het gazon geworpen.



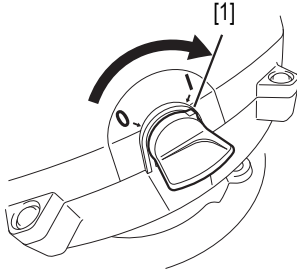
MAAIEN

De HRG416XB en HRG466XB zijn accu-aangedreven producten. Als u de mesbedieningsbeugel indrukt terwijl u de gele knop ingedrukt houdt, gaan de motor en het maaimes onmiddellijk draaien.

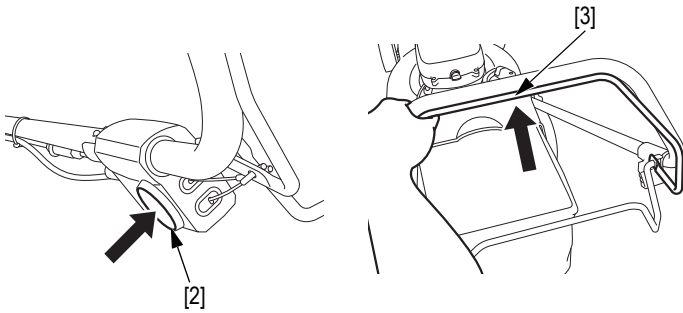
STARTEN VAN HET MAAIMES

Zorg dat de machine is voorzien van een opgeladen accu (Blz 6).

1. Plaats de sleutel van de hoofdstroomschakelaar in de motor en draai de sleutel in de stand 'I' (aan) [1].



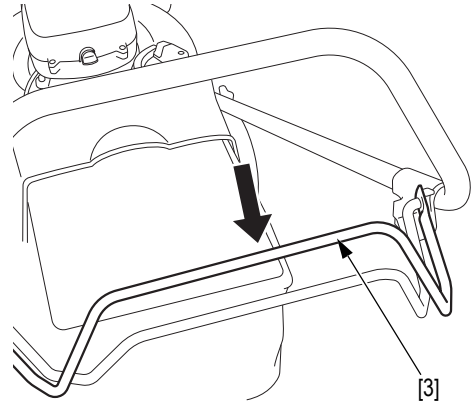
2. Druk de gele knop [2] in en druk, terwijl u deze ingedrukt houdt, de mesbedieningsbeugel [3] naar voren. Het maaimes begint te draaien.



3. Laat de gele knop los. Zolang u de mesbedieningsbeugel ingedrukt houdt, blijft het maaimes draaien.

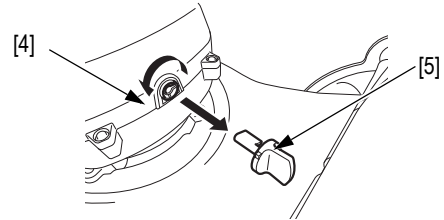
STOPPEN VAN HET MAAIMES

1. Laat de mesbedieningsbeugel [3] los. Het maaimes stopt met draaien.



Als u wilt stoppen met maaien of de machine even wilt laten staan, doe dan het volgende:

2. Draai de sleutel van de hoofdstroomschakelaar in de stand 'O' (uit) [4] en verwijder de sleutel [5] uit de motor.



Verwijder indien nodig de accu (Blz 6).

PRAKTISCHE INFORMATIE EN TIPS VOOR GEBRUIK

⚠ WAARSCHUWING

Wees voorzichtig bij het maaien op een hellend of oneffen terrein.

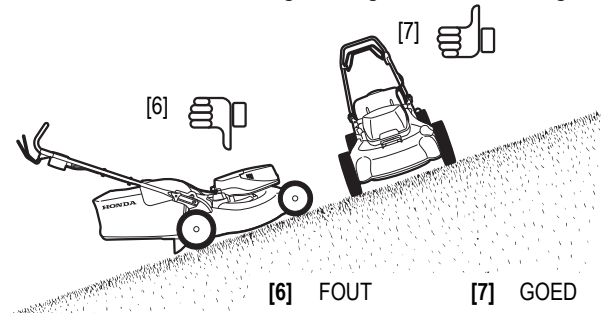
De machine kan kantelen en het maaimes kan stenen of andere onder het maaivlak verborgen voorwerpen wegslingeren.

Zorg dat alle 4 de wielen stevig op de grond blijven.

Stuur de machine met de duwbeugel en niet door met uw voet druk op het maaidek uit te oefenen.

VOORZICHTIG:

- Let bij het maaien rond een obstakel op dat het maaimes het obstakel niet raakt. Duw de machine nooit over een obstakel heen.
- Laat u op een aflopend hellend terrein nooit door de machine meetrokken. Houd de duwbeugel stevig vast en stuur zorgvuldig.



MAAI-INSTRUCTIES

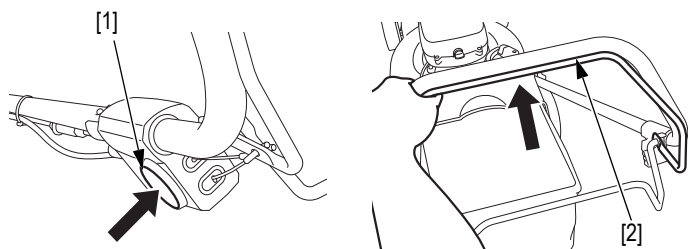
Lees eerst de veiligheidsinstructies voordat u met maaien begint.

Gebruik van de wielaandrijving (alleen HRG466XB):

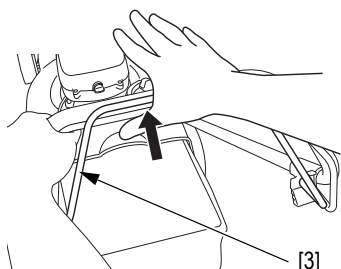
⚠ WAARSCHUWING

Laat altijd de koppelingsbeugel los wanneer u de mesbedieningsbeugel indrukt. Als de aandrieffkoppeling is ingeschakeld, gaat de machine rijden zodra de motor wordt ingeschakeld.

1. Schakel de motor in en start het maaimes.
 - Druk de gele knop [1] in en druk, terwijl u deze ingedrukt houdt, de mesbedieningsbeugel [2] naar voren. Het maaimes begint te draaien.

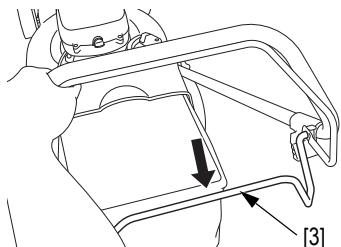


2. Druk de koppelingsbeugel geheel naar voren.



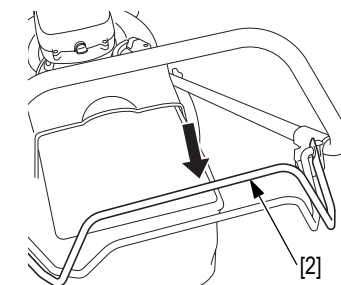
3. Om de machine tot stilstand te brengen, doet u het volgende.

- Laat de koppelingsbeugel los.



4. Om het maaimes te laten stoppen, doet u het volgende.

- Laat de mesbedieningsbeugel los.

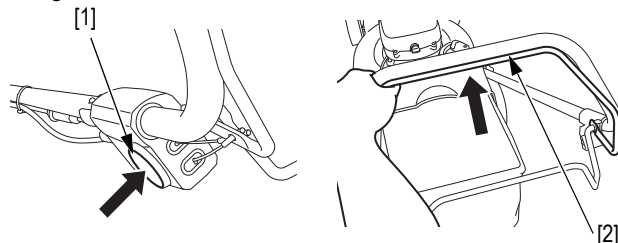


De machine met de hand voortduwen (alle types):

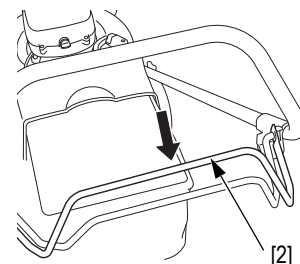
⚠ WAARSCHUWING

Laat altijd de koppelingsbeugel los wanneer u de mesbedieningsbeugel indrukt. Als de aandrieffkoppeling is ingeschakeld, gaat de machine rijden zodra de motor wordt ingeschakeld.

1. Schakel de motor in en start het maaimes.
 - Druk de gele knop [1] in en druk, terwijl u deze ingedrukt houdt, de mesbedieningsbeugel [2] naar voren. Het maaimes begint te draaien.



2. Duw met de machine terwijl u de handen tegen de beugel houdt naar voren om met maaien te beginnen.



3. Om het maaimes te laten stoppen, doet u het volgende.

- Laat de mesbedieningsbeugel los.

NB: Het is mogelijk de wielaandrijving uit te schakelen voor maaien in krappe ruimten (paden, perken, etc.).

NB: Hoe groot het gazonoppervlak is dat u met een volledig opgeladen accu kunt maaien, hangt af van diverse factoren, zoals de staat van het gazon, de maaihoogte en de dichtheid, het vochtgehalte en de lengte van het gras.

Wanneer u de machine tijdens het maaien regelmatig aan- en uitzet, gaat dit ten koste van het maaioppervlak (de accucapaciteit). Om een groter mogelijk oppervlak op één acculading te kunnen maaien, verdient het aanbeveling wat vaker te maaien, een grotere maaihoogte te kiezen en te maaien met een normale loopsnelheid.

Dit model is voorzien van een thermische beveiliging.

- Functie: voorkomen van oververhitting en beschadiging van de motor, veroorzaakt door abnormale voorvallen tijdens gebruik.
- Activering van de beveiliging: als de machine wordt overbelast, wordt de stroomtoevoer naar de motor onmiddellijk onderbroken.

Te volgen procedure na activering van het beveiligingsmechanisme:

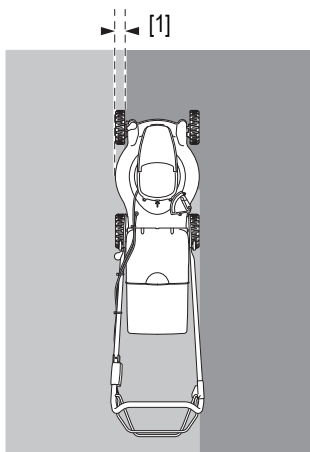
- Laat de gele knop los.
- Verwijder de accu.
- Bepaal de oorzaak en verhelp deze: maaihoogte te laag (gras te lang of te dik), vreemd voorwerp verhindert de vrije rotatie van het maaimes etc.
- Laat de machine gedurende 30 tot 60 minuten afkoelen in een koele omgeving.

Procedure voor het opnieuw starten van de machine:

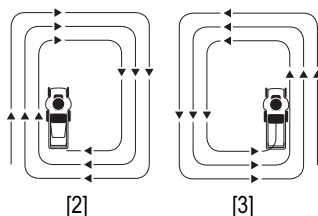
- Verwijder de accu.
- Controleer of het maaimes vrij kan draaien (doe dit met werkhandschoenen aan).
- Controleer de veiligheid in de omgeving (voorwerpen op het gazon, personen of dieren in de nabijheid).
- Installeer de accu.
- Druk de gele knop in.
- Start de machine opnieuw en controleer of het probleem is verdwenen. Neem als het probleem aanhoudt contact op met uw onderhoudsdealer.

NB:

- Maai frequentie: één keer per week voor een speelgazon, twee keer voor een siergazon.
- Maai bij voorkeur in de middag of 's avonds voor het sproeien, want het gras moet droog zijn. In stoffige omstandigheden kunt u het best maaien wanneer het gras zelf droog is, maar de bodem nog vochtig is.
- Kies een maaihoogte die geschikt is voor het terrein (zie Blz 7).
- Voor het verkrijgen van een gelijkmatig gazon moeten de maai stroken elkaar enkele centimeters [1] overlappen. Wanneer het te maaien gras erg lang is, moet een wat grotere overlap worden aangehouden.
- Maai volgens het hieronder voorgestelde patroon om zo efficiënt mogelijk te werken.
- Als het te maaien terrein onregelmatig van vorm is of veel obstakels bevat, verdeel het dan in percelen waarbinnen u de aanbevolen richting kunt volgen.



- [2] Met grasopvang: draai rechtsom om zo efficiënt mogelijk te maaien.
- [3] Mulching (versnipperen) (alleen HRG466XB): draai linksom.



LEGEN VAN DE GRASVANGER

Wanneer de grasvanger vol raakt, is de grasopvang niet meer optimaal (het geluid van de machine verandert en de grasvanger wordt niet meer opgeblazen door de luchtwerveling van het draaiende maai mes).

HRG466XB:

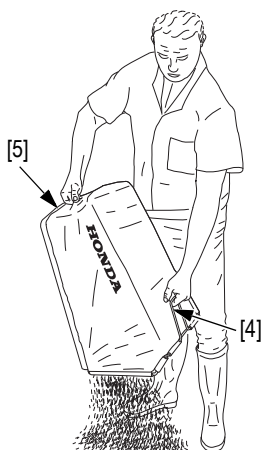
1. Laat de mesbedieningsbeugel en de koppelingsbeugel los.

HRG416XB:

1. Laat de mesbedieningsbeugel los.

Alle modellen:

2. Verwijder de grasvanger (zie Blz 5).
3. Leeg de grasvanger:
 - Til de grasvanger op aan de metalen handgreep [4].
 - Pak met uw andere hand de grasvanger [5] vast en schud deze leeg om het gras te verwijderen.



VOORZICHTIG:

- Laat het maaisel nooit langdurig in de grasvanger zitten en gooi het niet op een hoop in een afgesloten ruimte of tegen een schuur, garage of ander bouwsel. Composterend tuinafval ontwikkelt namelijk warmte, waardoor er brandgevaar kan ontstaan.

WAARSCHUWING

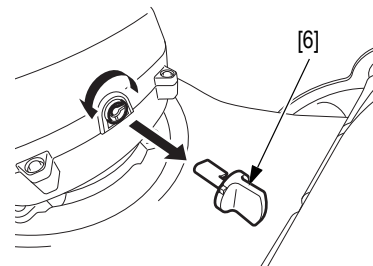
Controleer voor gebruik of de afdekkap van de grasvanger (het uitwerpscherm) goed is aangebracht.

ONDERHOUD

Regelmatig onderhoud verlengt de levensduur van uw machine.

WAARSCHUWING

Plaats de machine voor het uitvoeren van deze onderhoudswerkzaamheden op een stabiele, vlakke ondergrond met de sleutel van de hoofdstroomschakelaar [6] en de accu verwijderd.



NB: Om een langere levensduur en goede werking van de machine te waarborgen, dient de onderkant van het maai dek schoon en vrij van maaisel te worden gehouden. Verwijder eventueel grasmaaisel met behulp van een schraper en borstel en reinig de machine na gebruik grondig voordat u hem opbergt.

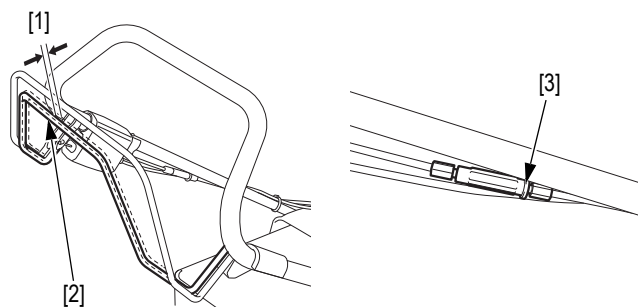
CONTROLLEREN VAN DE KOPPELINGSKABEL (ALLEEN HRG466XB)

Meet de vrije slag [1] aan het uiteinde van de koppelingsbeugel [2] zoals in de afbeelding is weergegeven.

Vrije slag: binnen 1 tot 5 mm

Stel de kabel af als de vrije slag buiten de limieten ligt.

1. Draai de borgmoer [3] los.
2. Trek de kabel vaster of losser zoals vereist om een vrije slag [1] van 1 tot 5 mm te verkrijgen.
3. Draai de borgmoer [3] vast en controleer nogmaals de vrije slag [1].
4. Schakel de motor in. Druk de koppelingsbeugel naar voren en laat hem weer los. Controleer of de machine correct start en stopt.

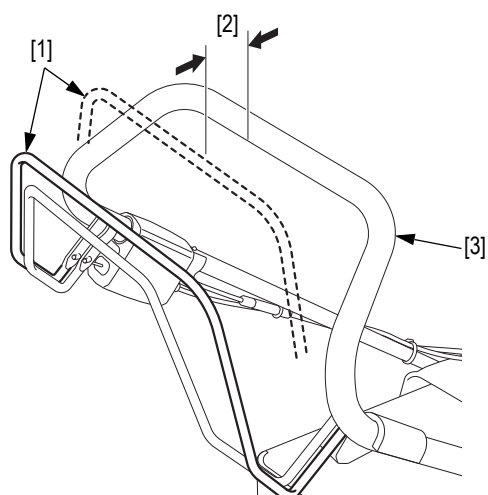


NB: Als de koppeling niet goed functioneert terwijl de koppelingskabel goed is afgesteld, is er mogelijk sprake van een defect. Breng de machine naar uw onderhoudsdealer voor controle.

CONTROLLEREN VAN DE MESBEDIENINGSKABEL

De motor moet worden in- of uitgeschakeld wanneer de mesbedieningsbeugel [1] tussen de aangegeven posities [2] wordt bewogen.

Gespecificeerde positie tussen 30 tot 60 mm van de duwbeugel [3].



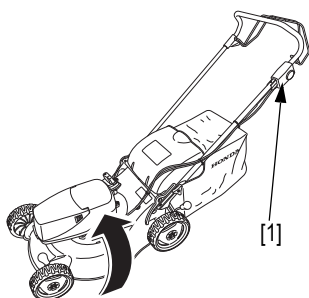
NB: Als de motor wordt in- of uitgeschakeld buiten de aangegeven posities, is er mogelijk sprake van een defect. Breng de machine naar uw onderhoudsdealer voor controle.

MONTEREN EN DEMONTEREN VAN HET MAAIMES



DEMONTEREN VAN HET MAAIMES

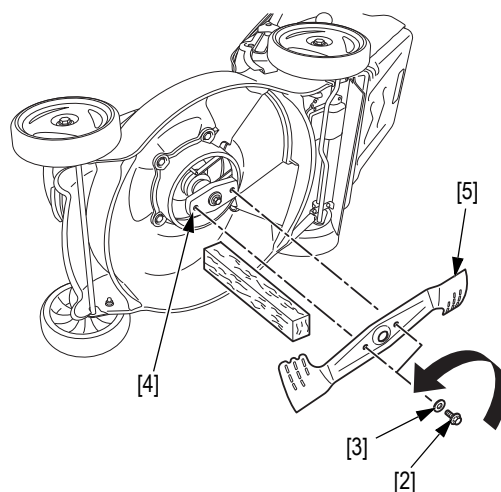
1. Controleer of de accu en de sleutel van de hoofdstroomschakelaar uit de machine zijn verwijderd.
2. Kantel de machine zodanig dat de gele knop aan de bovenzijde komt [1].



3. Draai de 2 mesbevestigingsbouten [2] los met een 14mm-dopsleutel en verwijder ze samen met de speciale ringen [3] uit de meshouder [4].

Blokkeer het mes bij het losdraaien van de mesbevestigingsbouten met een houten blok.

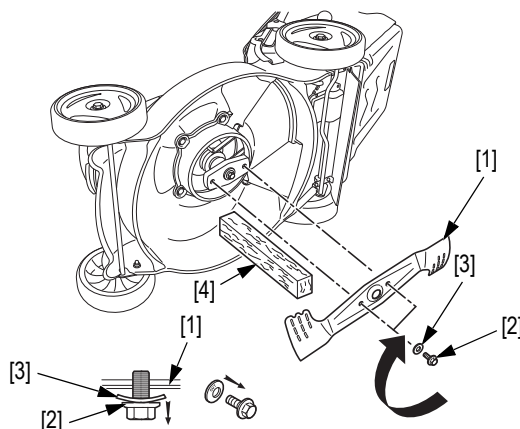
4. Verwijder het maaimes [5].



MONTEREN VAN HET MAAIMES

1. Maak de omgeving rond de mesbevestiging vrij van vuil en gras.
2. Monteer het maaimes [1] met behulp van de 2 mesbevestigingsbouten [2] en de speciale ringen [3], zoals in de afbeelding is weergegeven.

Aanhaalmoment mesbevestigingsbouten: 54 N·m



Let op dat de speciale ringen met de bolle kant, gemarkeerd met "OUT", naar de bout gekeerd zijn.

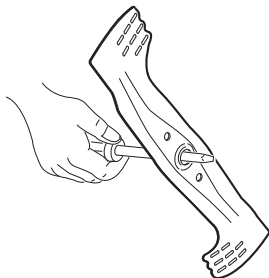
De bouten zijn speciaal ontworpen voor deze toepassing. Gebruik onder geen beding andere bouten.

3. Draai de mesbevestigingsbouten vast met een momentsleutel. Blokkeer de messen bij het vastdraaien van de mesbevestigingsbouten met een houten blok [4].

VOORZICHTIG:

- Als u niet over een momentsleutel beschikt, laat de mesbevestigingsbouten dan vastzetten door uw onderhoudsdealer voordat u de machine weer gaat gebruiken.
- Als de bouten te vast zijn aangedraaid, kunnen ze breken; als ze niet vast genoeg zijn aangedraaid, kunnen ze lostrillen.

VERVANGEN VAN HET MAAIMES



VOORZICHTIG:

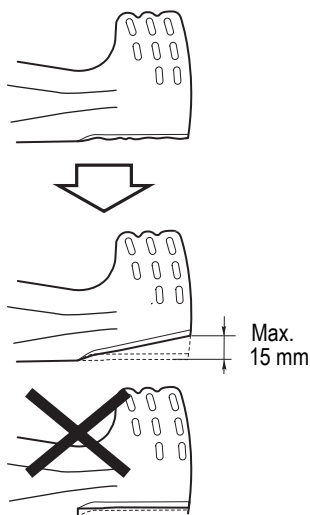
- Voor een goed maairesultaat moet het maaimes in balans zijn. Messen die beschadigd zijn geraakt of niet meer in balans zijn, moeten daarom altijd worden vervangen.
- Vervang een versleten maaimes uitsluitend door een origineel Honda-vervangingsmes.

SLIJPEN VAN HET MAAIMES

VOORZICHTIG:

- Om verzwakking van het maaimes te voorkomen, waardoor het uit balans kan raken of het maairesultaat kan verslechteren, moet het maaimes vakkundig worden geslepen bij uw onderhoudsdealer.

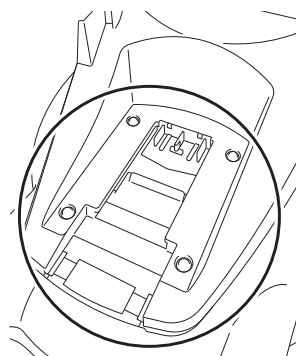
1. Slijp de snijkanten van het mes met behulp van een vijl. Slijp alleen het bovenste gedeelte. Zorg dat de oorspronkelijke hoek van het snijvlak behouden blijft, zodat een scherp snijvlak ontstaat. Vijl aan beide uiteinden evenveel materiaal af, zodat het mes in balans blijft.
2. Controleer na het slijpen met een schroevendraaier of het mes in balans is, zoals in de afbeelding hierboven is weergegeven. Wanneer een van de uiteinden iets naar beneden draait, moet aan die kant nog wat materiaal worden afgevijld. Vervang het maaimes als een van de uiteinden naar beneden kantelt.



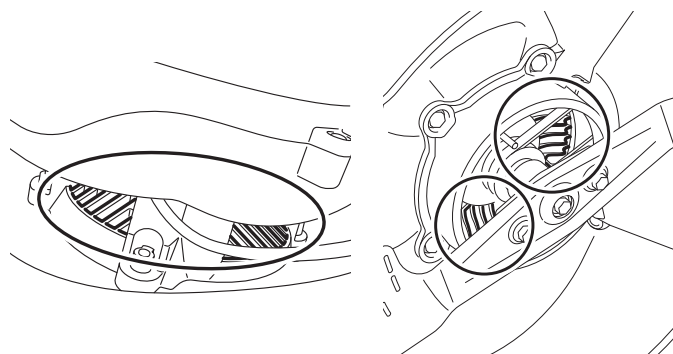
REINIGEN VAN MOTORKOELRIBBEN EN ACCULOCATIE

1. Verwijder vuil en gras rond de motorkoelribben en de acculocatie met een zachte, droge borstel zoals getoond in de afbeelding.

Acculocatie



Motorkoelribben



REINIGEN EN VERVANGEN VAN DE GRASVANGER

REINIGEN VAN DE GRASVANGERZAK

VOORZICHTIG:

- Reinig de grasvanger niet met een hogedruk- of stoomreiniger: hierdoor kan de zak beschadigd raken.
- Wanneer de gasstof verstopt is, kan er geen gras meer in de zak worden opgezogen.
- Reinig de grasvanger bij voorkeur door de zak van buiten naar binnen met een tuinslang uit te spoelen. De zak moet volledig droog zijn voordat u deze weer kunt gebruiken. Als de grasvangerzak vochtig is, zal deze zeer snel verstopt raken.



⚠ WAARSCHUWING

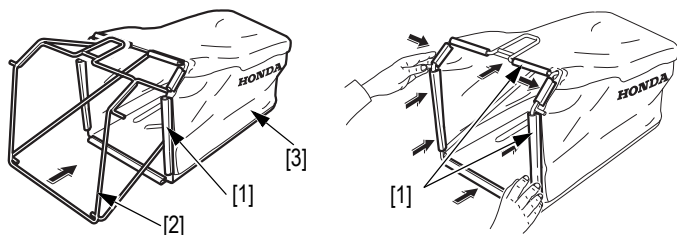
Een gescheurde of beschadigde grasvangerzak biedt geen bescherming tegen voorwerpen die door de machine worden uitgeworpen.

Deze kunnen ernstig lichamelijk letsel veroorzaken. Vervang een versleten of gescheurde grasvangerzak daarom altijd door een nieuw exemplaar.

VERVANGEN VAN DE GRASVANGERZAK

Een grasvangerzak is ook onder normale gebruiksomstandigheden aan slijtage onderhevig. Controleer daarom regelmatig of de zak niet is gerafeld of gescheurd. Vervang een versleten of beschadigde grasvanger uitsluitend door een origineel exemplaar van Honda.

1. Maak de plastic randen [1] van de versleten grasvangerzak [3] los en verwijder het frame [2].
2. Plaats het frame in de nieuwe grasvangerzak en bevestig de plastic randen [1] op het frame.



REINIGEN

Zorg dat de machine vrij is van vuil alvorens deze te vervoeren of op te slaan. Maak de machine zo nodig schoon met een zachte, droge borstel of een doek.

Gebruik voor het reinigen van de grasvanger een tuinslang. Maak de machine niet schoon met een hogedrukreiniger. Gebruik geen reinigingsmiddel voor het schoonmaken van de machine.

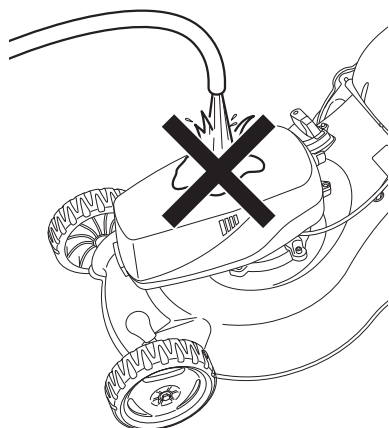
Voor een goede werking van de machine verdient het aanbeveling de binnenzijde van de kap schoon te houden.

Let erop dat het aansluitvlak voor de accu schoon blijft.

Zorg dat het systeem voor bevestiging en aansluiting van de accu vrij blijft van vuil en grasresten.

Spuit de motor of de elektrische componenten niet af met water en voorkom dat deze nat worden.

Gebruik geen schurende reinigingsmiddelen voor het schoonmaken van het onderstel.



ONDERHOUDSSCHEMA

REGULIERE ONDERHOUDSPERIODE (3)		leder gebruik	Elke 100 bedrijfsuren of elk jaar	Elke 150 bedrijfsuren of 2 jaar	Zie pagina
Uitvoeren bij elk aangegeven maand- of ureninterval, wat het eerst komt.					
Mesbevestigingsbouten op loszitten	Controleren	•			12
Maaimes (vervorming / schade)	Controleren	•			7
Grasvanger	Controleren	•			5,11,14
Koppelingskabel (alleen HRX466XB)	Controleren	•			11
	Afstellen		•(1)		-
Mesbedieningskabel	Controleren	•			12
Aandrijfriem	Controleren			•(1)(2)	-
Ratel (alleen HRX466XB)	Smeren		•(2)		-
Motorkoelribben	Reinigen	•			13
Acculocatie	Reinigen	•			13
Motorrotatie	Controleren	•			7
Buitenzijde machine	Controleren	•			7

- (1) Vervangen indien nodig.
- (2) Deze items moeten worden onderhouden door uw onderhoudsdealer, tenzij u beschikt over het juiste gereedschap en de vereiste kennis. Zie de Honda-werkplaatshandleiding voor de onderhoudsprocedures.
- (3) Registreer bij commercieel gebruik de bedrijfsuren om de juiste onderhoudsintervallen te bepalen.

PROBLEMEN OPLOSSEN

MACHINE WERKT NIET

Mogelijke oorzaak	Oplossing
Accu ontladen.	Opladen accu bezig.
Sleutel hoofdstroomschakelaar niet goed omgedraaid.	Controleer of sleutel van hoofdstroomschakelaar volledig in stand 'I' (aan) is gedraaid.
Accu niet goed aangebracht.	Druk accu goed aan.
Accu te warm of koud.	Laat accu op de juiste temperatuur komen - Controleer accustatus-leds.
Accu defect.	Vervang de accu door een nieuwe accu.

MACHINE WERKT SOMS NIET

Mogelijke oorzaak	Oplossing
Interne bedrading van machine beschadigd.	Neem contact op met uw onderhoudsdealer.
Thermische beveiliging motor/elektronica geactiveerd.	Laat motor/elektronica afkoelen en stel grotere maaihoogte in.
Externe bekabeling beschadigd.	Neem contact op met uw onderhoudsdealer.

MOTOR START EN STOPT VERVOLGENS ONMIDDELIJK

Mogelijke oorzaak	Oplossing
Accu niet goed opgeladen.	Controleer accustatus-leds - Laad accu zo nodig bij.
Sleutel hoofdstroomschakelaar niet goed omgedraaid.	Controleer of sleutel van hoofdstroomschakelaar volledig in stand 'I' (aan) is gedraaid.
Accu niet goed aangebracht.	Druk accu goed aan.
Maaimes vastgelopen door omwikkeling met lang gras.	Zet hoofdstroomschakelaar uit en maak maaimes vrij.
Accu te warm of koud.	Laat accu op de juiste temperatuur komen - Controleer accustatus-leds.

MAAIOPPERVLAK TE KLEIN (ACCUDUUR TE KORT)

Mogelijke oorzaak	Oplossing
Maaihoogte te laag.	Stel grotere maaihoogte in.
Gras te lang.	Stel grotere maaihoogte in.
Dichtheid gazon te hoog.	Stel grotere maaihoogte in of maai gazon vaker.
Levensduur accu ten einde.	Vervang de accu door een nieuwe accu.
Laadniveau accu te laag.	Zorg dat accu volledig is opgeladen voor gebruik.

MAAI- EN VERZAMELPROBLEMEN

Mogelijke oorzaak	Oplossing
De machine rijdt te snel of het gras is te lang of te dik.	Rijd langzamer indien mogelijk of vergroot de maaihoogte.
Machine rijdt te snel voor de conditie van het gazon.	Neem contact op met uw onderhoudsdealer. (Behalve als u de machine duwt.)
Grasvanger te vol of verstopt.	Leeg de grasvanger. Reinig de grasvanger als deze is verstopt met vuil (Blz 11 en 14).
Maaidek is verstopt.	Maak het maaidek schoon (Blz 12).
Maaimes bot, versleten of beschadigd.	Slijp of vervang indien nodig het maaimes (Blz 13).
Verkeerd maaimes gemonteerd.	Monteer een maaimes van het juiste type (Blz 12).

OVERMATIGE TRILLING

Mogelijke oorzaak	Oplossing
Maaimes los, verbogen, beschadigd of uit balans na onjuist slijpen.	Draai loszittende mesbevestigingsbouten vast. Laat in het geval van een verbogen of beschadigd maaimes de machine controleren door uw onderhoudsdealer (Blz 13).
Mechanische schade, zoals een verbogen krukas.	Deze onderhoudswerkzaamheden moeten door uw onderhoudsdealer worden uitgevoerd.

OPSLAG

VOORBEREIDINGEN VOOR OPSLAG VAN DE MACHINE

Controleer of de accu en de sleutel van de hoofdstroomschakelaar uit de machine zijn verwijderd voordat u de machine voor langere tijd opbergt.

Een juiste opslag is essentieel voor een lange levensduur van de machine. Vermijd opslag in ruimten met een hoge luchtvochtigheid die roest of corrosie kan veroorzaken.

Opslag aan het einde van het seizoen:

- Verwijder de accu en zet zowel de machine als de accu op een droge en veilige plaats die niet is blootgesteld aan direct zonlicht.
- Plaats geen voorwerpen op de machine.
- Maak de machine bij opslag voor een langdurige periode eerst goed schoon.

NB: Zie de bijgevoegde instructies voor opslag van de accu.

TRANSPORT

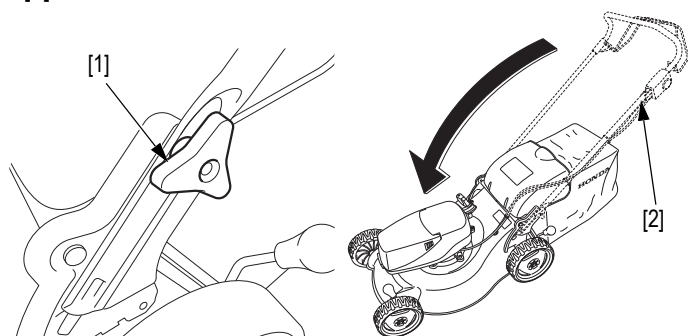
VERVOEREN VAN DE MACHINE

⚠ WAARSCHUWING

Controleer voordat u de machine gaat vervoeren of de duwbeugel inklapt of de accu en de sleutel van de hoofdstroomschakelaar uit de machine zijn verwijderd.

U kunt het vervoer als volgt vergemakkelijken:

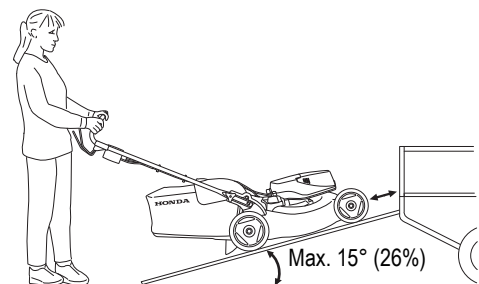
1. Verwijder de grasvanger (zie Blz 5).
2. Draai de beugelbevestigingsknoppen [1] los en klap de beugel [2] in.



NB:

Controleer tijdens het inklappen van de duwbeugel of de kabels niet zijn geknikt, gedraaid, uitgerekt of gekneld.

LADEN EN LOSSEN VAN DE MACHINE



VOORZICHTIG:

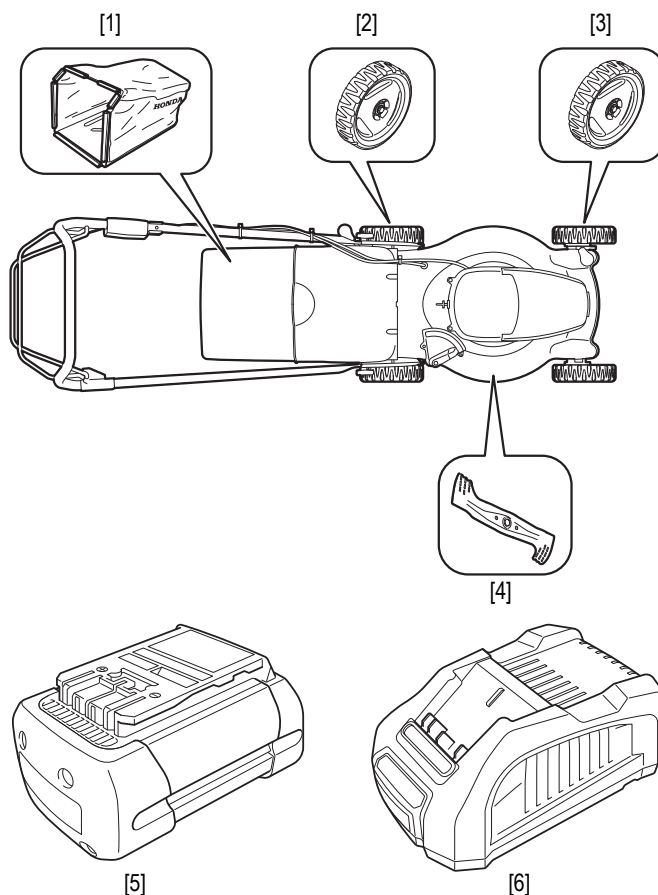
- Maak bij het laden en lossen van de machine met behulp van een laadplank nooit gebruik van het aandrijfsysteem: u kunt daarbij gemakkelijk de controle over de machine verliezen, waardoor de machine beschadigd kan raken.
- Schakel nooit de aandrijfkoppeling in wanneer u de machine achteruit laat rollen: hierdoor kan het aandrijfsysteem beschadigd raken.
- Vervoer de machine horizontaal, met alle vier wielen op de laadvloer.
- Gebruik een laadplank voor het laden of lossen van de machine of roep de hulp in van een tweede persoon om de machine te tillen.
- Zorg bij gebruik van een laadplank dat de hellingshoek niet groter is dan 15° (26%).
- Zet de machine op de laadvloer vast met behulp van spanbanden en plaats keggen onder de wielen.
- Voorkom dat de spanbanden over de volgende onderdelen van de machine lopen: koppelingsbeugel, mesbedieningsbeugel en alle bedieningskabels.

NUTTIGE INFORMATIE

DEALER ZOEKEN

Raadpleeg voor het zoeken naar een erkende Honda-dealer onze Europese website:

<http://world.honda.com/>



GANGBARE ONDERDELEN, OPTIONELE TOEBEHOREN EN VERBRUIKSPRODUCTEN

Neem voor de aanschaf van de onderstaande en andere originele onderdelen contact op met uw onderhoudsdealer.

	HRG416XB	HRG466XB		
Gangbare onderdelen				
[1]	Grasvanger	81320-VH3-R11	81320-VH4-R11	Alleen grasvangerzak (zonder frame)
[2]	Achterwiel	42710-VH3-R10	42710-VH3-R20	
[3]	Voorwiel	44710-VH3-R10		
[4]	Standaard maaimes	72511-VH3-R90	72511-VH4-R90	Vereist het gebruik van een momentsleutel
[5]	Accu	DP3640XA (standaard 4A) DP3660XA (standaard 6A) DPW3660XA (All weather 6A) DPW3690XA (All weather 9A)		
[6]	Oplader	CV3680XA		

⚠ WAARSCHUWING

De hier vermelde toebehoren zijn specifiek voor het model en type van uw machine ontworpen. Voor uw eigen veiligheid is de montage van andere toebehoren strikt verboden.

TECHNISCHE GEGEVENS

MODEL	HRG416XB		HRG466XB	
TYPEN	PEEA	PEUA	SEEA	SEUA
ALGEMEEN				
Omschrijvingscode	MCEF		MCDF	
Functie	Gras maaien			
Afmetingen L x b x h	mm	1 415 x 453 x 980	1 470 x 497 x 980	
Gewicht (*)	kg	23	27	
Spoorbreedte achter/vóór	mm	369 / 395	419 / 439	
Maaibreedte	cm	41	46	
Maaihooogte-instellingen	mm	6 standen (20 tot 74 mm)		
Diameter achter-/voorwielen	mm	178 / 212		
Inhoud grasvanger	ℓ	42	50	
Geluidsvermogensniveau bij oren bediener (overeenkomstig EN60335-2-77:2010)	dB(A)	79	-	80,2
Meetonzekerheid	dB(A)	1,00	-	1,00
Gemeten geluidsvermogensniveau (overeenkomstig richtlijnen 2000/14/EG, 2005/88/EG)	dB(A)	88,76	-	90,63
Meetonzekerheid	dB(A)	0,65	-	1,41
Gegarandeerd geluidsvermogensniveau (overeenkomstig richtlijnen 2000/14/EG, 2005/88/EG)	dB(A)	89	-	92
Trillingstest (overeenkomstig EN60335-2-77:2010)(**)	m/s ²	1,07	-	1,33
Meetonzekerheid	m/s ²	0,56	-	0,51
MOTOR				
Type	3-FASE DC BORSTELLOOS			
Max. uitgangsvermogen	W	1 000	1 800	
Onbelaste rotatiesnelheid (met maimes)	min ⁻¹ (tpm)	2 900 ± 40	2 800 ± 40	
TRANSMISSIE				
Type	-		1 versnelling	
Aandrijving	-		V-riem	
Aantal versnellingen	-		Vaste overbrenging	
Voorwaartse snelheid	m/s	-	0,89	
Smeersysteem	-		Oliebad met spatsmering	
Aanbevolen motorolie	-		10W40	
Vulhoeveelheid transmissie-olie	cm ³	-	65	

(*) Zonder accu.

(**) Waarden voor een machine uitgerust met een grasvanger, ingesteld op het opvangen van het gemaaide gras.

FÖRORD

Du har köpt en batteridrivna Honda-gräsklippare och vi tackar för det förtroende du har visat oss.

Denna bruksanvisning har skrivits för att du ska lära känna din maskin, för att du ska kunna använda den under bästa tänkbara förhållanden och utföra underhåll på den.

Vårt mål är att du ska kunna dra full nytta av tekniska framsteg, av ny utrustning och nya material och av vår erfarenhet. Det är anledningen till varför vi regelbundet gör förbättringar på våra modeller. Av den anledningen kan specifikationer och information i den här bruksanvisningen ändras utan föregående meddelande och utan någon skyldighet från vår sida att uppdatera dem.

Bilderna i bruksanvisningen visar den modell som är bäst lämpad att illustrera det ämne som beskrivs.

Bilderna som är gemensamma för alla typer är baserade på HRG466XB.

Om du får problem eller om du har några frågor angående maskinen ska du kontakta en serviceverkstad.

Ha den här bruksanvisningen lättillgänglig så att du när som helst kan titta i den. Om du säljer maskinen ska du se till att bruksanvisningen följer med.

Vi råder dig att läsa garantivillkoren för att förstå dina rättigheter och skyldigheter. Garantivillkoren utgörs av ett separat dokument som tillhandahålls av återförsäljaren.

Ingen del av den här publikationen får reproduceras utan skriftligt tillstånd.

SÄKERHETSFÖRESKRIFTER

För din egen säkerhets skull och för att underlätta användning rekommenderar vi starkt att du läser igenom hela bruksanvisningen först.

Var uppmärksam på dessa symboler och deras innebörd:

VARNING

Visar på en stor risk för allvarlig personskada eller dödsfall om anvisningarna inte följs.

OBSERVERA:


• Indikerar risk för personskada eller materialskador om anvisningarna inte följs.

ANMÄRKNING: Användbar information.

MASKINENS IDENTIFIERING

	KATEGORI	SERIE	TYP	ALTERNATIV
Exempel	HRG	416XB	PE	EA
Beskrivning	HRG= Gräsklippare		P= Skjutbar	EA= Avsedd för Europa
			S= Självgående typ	UA= Avsedd för Australien

Modellen för din batteridrivna gräsklippare anges på identifieringsdekalen (se sidan 4) med en serie bokstäver.

 _____
Anteckna maskinens serienummer här

Anteckna maskinens modell här

Honda France Manufacturing S.A.S. - Pöle 45 - Rue des Châtaigniers
45140 ORMES - FRANKRIKE - Med ensamrätt

3RVAA601
00X3R-VAA-6010

HRG416XB
HRG466XB

2020
Tryckt i Frankrike

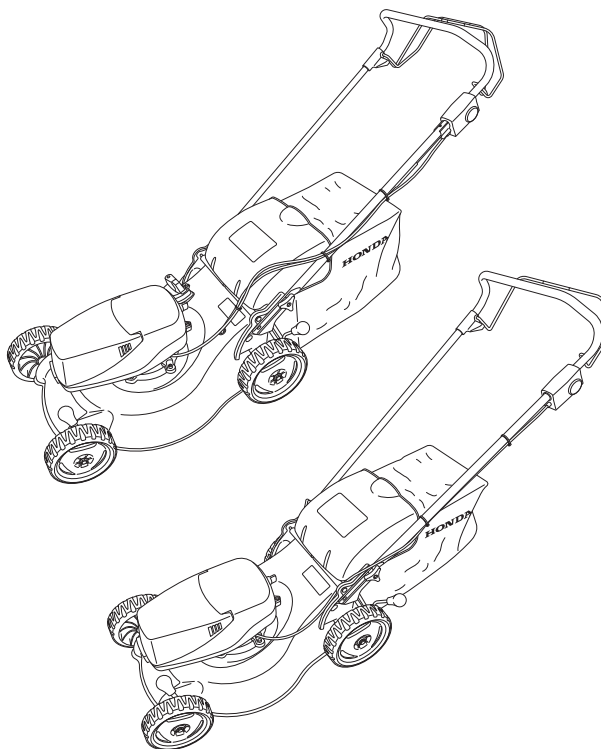
HONDA

INSTRUKTIONSBOK

ÖVERSÄTTNING AV ORIGINALINSTRUKTIONERNA

Batteridrivna gräsklippare

HRG416XB • HRG466XB



Ett särskilt batteri och en laddare behövs för att använda dessa maskiner. De säljs separat.

INNEHÅLL

Förord	1
Säkerhetsföreskrifter	2
Säkerhetsdekaler	4
Identifiering av maskinen	4
Allmän beskrivning	4
Förberedelser och kontroller före användning	5
Välja klippmetod (endast HRG466XB)	8
Klippning	9
Användningstips	9
Underhåll	11
Felsökning	15
Förvaring	15
Transport	16
Användbar information	16
Tekniska specifikationer	17
Adresser till större Honda-återförsäljare	18
"EG-försäkran om överensstämmelse" SAMMANFATTNING	19

SÄKERHETSFÖRESKRIFTER

MÅSTE FÖLJAS NOGA

Läs noggrant igenom detta innan du använder maskinen.

VARNING

Visar på en stor risk för allvarlig personskada eller dödsfall om anvisningarna inte följs.

OBSERVERA:

- Indikerar risk för personskada eller materialskador om anvisningarna inte följs.

ANMÄRKNING: Användbar information.

A) UTBILDNING

- 1) Läs igenom instruktionerna noggrant. Bekanta dig med de olika reglagen och korrekt användning av maskinen. Lär dig hur du snabbt stänger av motorn.
- 2) Låt aldrig barn eller personer som inte känner till dessa instruktioner använda maskinen. Lokala bestämmelser kan ange en lägsta ålder för den som använder maskinen.
- 3) Använd aldrig maskinen:
 - när det finns människor, särskilt barn, eller husdjur i närheten.
 - om du har tagit medicin eller substanser som kan påverka reaktions- eller koncentrationsförmågan.
- 4) Tänk på att du som användare har ansvar för olyckor eller risker som drabbar andra människor eller deras egendom.
- 5) Försök aldrig ändra maskinen. Det kan orsaka en olycka samt skador på maskinen. Motorns EU-typgodkännande ogiltigförklaras vid onödigt manipulering av maskinen.

B) FÖRBEREDELSE

- 1) Under gräsklippning ska du alltid använda kraftiga skor och långbyxor. Använd inte maskinen om du är barfota eller bär sandaler. Bär inte kläder som sitter löst eller har löst hängande snoddar eller band. Använd vibrationsdämpande handskar för att minska effekten av vibrationer. Bär hörselskydd för att minska effekterna av buller.
- 2) Kontrollera noggrant hela arbetsområdet och avlägsna alla föremål som kan slungas iväg av maskinen eller skada knivarna eller motorn (stenar, grenar, metalltråd, benbitar m.m.).
- 3) Före användning ska du alltid kontrollera maskinens allmänna skick, framför allt att inte knivar, skruvar och klippenheten är slitna eller skadade. Byt ut slitna eller skadade knivar och skruvar som en enhet för att bibehålla balansen. Byt ut skadade eller oläsliga etiketter.
- 4) Kontrollera batteriet för tecken på skador eller förslitning före användning. Använd inte maskinen om batteriet är skadat eller slitet. Kontrollera att batteripolerna inte är kortslutna.
- 5) Använd inte maskinen utan utkastarkåpa eller gräsupsamlare på plats.

C) FUNKTION

- 1) Klipp bara i dagsljus eller i god artificiell belysning.
- 2) Undvik att klippa fuktigt gräs eller när det regnar.
- 3) Se alltid till att du har stabilt fotfäste i sluttningar.
- 4) Gå, spring aldrig, och låt dig inte bli dragen av maskinen.
- 5) Klipp alltid längs sluttningar, aldrig uppifrån och ner.
- 6) Var mycket försiktig när du byter riktning i sluttningar.
- 7) Klipp aldrig i branta sluttningar. Klipp inte i sluttningar med en lutning som överstiger 20° (36 %).

- 8) Var mycket försiktig när du drar maskinen mot dig.
- 9) Stoppa knivarna om maskinen måste lutas för transport när du korsar andra ytor än gräs och när maskinen transporteras till och från det område där den ska användas.
- 10) Använd aldrig maskinen med skadade skydd eller utan gräsupsamlare eller utkastskydd.
- 11) Starta motorn försiktigt i enlighet med instruktionerna och med fötterna på säkert avstånd från knivarna.
- 12) Luta inte maskinen när du startar motorn, om det inte är absolut nödvändigt för att starta den. I så fall ska du inte luta den mer än vad som är absolut nödvändigt och bara lyfta upp den del som är längst bort från dig. Se alltid till att båda händerna är i arbetsläget innan du sänker ner maskinen.
- 13) Starta inte maskinen när du står framför utkastöppningen.
- 14) Placera aldrig händer eller fingrar nära eller under roterande delar. Håll dig alltid borta från utkastöppningen.
- 15) Transportera inte maskinen med strömmen på.
- 16) Ta bort fränskiljarnyckeln och batteriet eller ställ in fränskiljarnyckeln på avstängt läge (O):
 - när du lämnar maskinen utan uppsikt.
 - innan du tar bort hinder eller rensar utkastet.
 - innan du kontrollerar, rengör eller utför arbete på maskinen.
 - efter att du kört på ett främmande föremål. Kontrollera maskinen med avseende på skador och reparera innan den startas och används igen.Om maskinen börjar vibrera onormalt mycket ska den kontrolleras omedelbart.
 - kontrollera efter skador.
 - byt ut eller reparera skadade delar.
 - kontrollera och dra åt lösa delar.
- 17) Stanna motorn:
 - varje gång du tar bort eller sätter tillbaka gräsupsamlaren.
 - varje gång du justerar klipphöjden.
- 18) Fäst inte fränskiljarnyckeln med en rem på maskinen.
- 19) När du klipper ska du alltid hålla ett säkert avstånd från de roterande knivarna vilket innebär handtagets längd.
- 20) **VARNING** – Om något går sönder eller en olycka inträffar under klippningen ska du omedelbart stänga av motorn och flytta maskinen för att förhindra fortsatta skador. Om en olycka inträffar med personskador som följd, ska du omedelbart ge första hjälpen i enlighet med vad situationen kräver och kontakta läkare för nödvändig läkarvård. Avlägsna allt skräp som kan orsaka skador på egendom, personer eller djur om det inte upptäcks i tid under klippning.
- 21) Nivåerna för buller och vibrationer som anges i denna bruksanvisning är de högsta värdena när maskinen används. Buller- och vibrationsnivåerna påverkas avsevärt om knivarna är obalanserade, maskinen flyttas mycket snabbt och underhållet är eftersatt. Förebyggande åtgärder måste därför vidtas för att eliminera eventuella skador på grund av höga ljudnivåer och påfrestningar på grund av vibrationer genom att se till att maskinen är väl underhållen och genom att bära hjälm med hörselskydd. Ta pauser under arbetet.

D) UNDERHÅLL OCH FÖRVARING

- 1) Kontrollera att alla muttrar och skruvar är åtdragna så att maskinen kan användas säkert. Rutinunderhåll är viktigt för säkerheten och för att upprätthålla en hög prestandanivå.
- 2) Kontrollera utkastskyddet och gräsupsamlaren ofta för att se om de är slitna eller skadade.
- 3) Var försiktig när du justerar maskinen så att du inte fastnar med fingrarna mellan knivarna och maskinens fasta delar.
- 4) Låt alltid maskinen svalna innan du ställer undan den.
- 5) När du utför underhåll på knivarna ska du tänka på att de fortfarande kan röra sig även om strömmen är fränslagen.
- 6) Av säkerhetsskäl ska du aldrig använda maskinen när den har slitna eller skadade delar. Delarna måste bytas, inte repareras. Använd originalreservdelar. Delar som inte håller samma kvalitet kan skada utrustningen och riskera din säkerhet.
- 7) För att minska brandfaran ska maskinen, i synnerhet motorn, hållas fri från gräs, löv och överdrivna mängder fett. Lämna aldrig behållare med gräsklipp i rum eller andra förvaringsutrymmen.
- 8) Använd en vattenslang när gräsupsamlaren rengörs. Använd inte en högtryckstvätt.
- 9) Korrekt förvaring är viktigt för att bevara produktens livslängd. Om möjligt ska förvaringsplatser med hög luftfuktighet undvikas eftersom det orsakar rost och korrosion.
- 10) Förvaring vid säsongens slut: Ta bort batteriet och förvara både maskinen och batteriet på en torr och säker plats borta från direkt solljus. Placera inte föremål ovanpå maskinen.
- 11) Rengör produkten noga i förväg om den ska förvaras en längre tid.

E) ALLMÄNNA FÖRSIKTIGHETSÅTGÄRDER

- 1) Alla reparationer måste utföras av en serviceverkstad. Stäng av fränskiljarmyckeln och ta bort den från maskinen om maskinen börjar vibrera onormalt. Låt sedan en serviceverkstad undersöka maskinen.
- 2) Håll båda händerna på handtaget när du startar maskinen.
- 3) Delar som utsätts för slitage måste bytas av en serviceverkstad.
- 4) Använd aldrig maskinen om batteriet är skadat eller slitet.
- 5) Vidrör inte knivarna förrän fränskiljarmyckeln har tagits bort från maskinen och knivarna står stilla.
- 6) Se till att maskinen är ren och fri från skräp före transport eller förvaring. Rengör vid behov med en mjuk, torr borste.
- 7) Använd inte högtryckstvätt och undvik att blöta ned motorn och de elektriska komponenterna. Använd inga kraftiga produkter för rengöring av chassit.
- 8) Prestandan förbättras om undersidan av maskinen hålls ren. Håll alltid batteriets monteringsområde rent.
- 9) Förvara fränskiljarmyckeln på ett säkert ställe och håll den borta från barn.

F) YTTERLIGARE VARNINGAR

- 1) **VARNING** – FARA! Fukt och elektricitet är en farlig kombination:
 - hantera och anslut alltid batteriet på en torr plats.
 - låt aldrig batteriet komma i kontakt med väta (pölar eller fuktigt gräs).
- 2) Bär arbetshandskar när du demonterar och monterar knivarna.
- 3) Balansera knivarna ordentligt när de slipas. Allt arbete som utförs på knivarna (demontering, slipning, balansering, återmontering och/eller byte) kräver både specialkunskaper och specialverktyg. Av säkerhetsskäl är det bäst att dessa arbetsuppgifter utförs av en serviceverkstad.
- 4) Rekommendationer för optimal hantering av batteriet och laddaren.
VARNING – Försök inte ladda icke uppladdningsbara batterier med laddaren.
 - för din egen säkerhet ska du se till att fränskiljarmyckeln och operatörsreglagen är i avstängt läge innan du sätter i batteriet. Det kan vara farligt att sätta in batteriet i maskinen när strömställaren är påslagen.
 - sätt i batteriet tills låsmekanismen snäpps fast. Ta bort batteriet genom att använda batteriluckans öppningsspak.
- 5) Laddningsbara batterier ska tas bort från maskinen innan de laddas.

G) TRANSPORT OCH HANTERING


- 1) När maskinen ska hanteras, lyftas, transporteras eller lutas måste du:
 - bära kraftiga arbetshandskar.
 - ta tag i maskinen på ställen som erbjuder säkert grepp med hänsyn till vikt och viktfordelning.
 - se till att ni är tillräckligt många personer med hänsyn till maskinens vikt och fordonets egenskaper eller med tanke på var den ska placeras eller hämtas.
- 2) Säkra maskinen ordentligt med remmar eller kedjor vid transport.
- 3) Kontrollera att fränskiljarmyckeln och batteriet har tagits bort från maskinen innan maskinen transporteras eller handtaget fälls ihop.

SÄKERHETSDEKALER

Din maskin måste användas med försiktighet. Därför finns dekalering på maskinen som visuellt påminner dig om viktiga säkerhetsåtgärder som måste vidtas vid användning. Deras innebörd förklaras nedan.

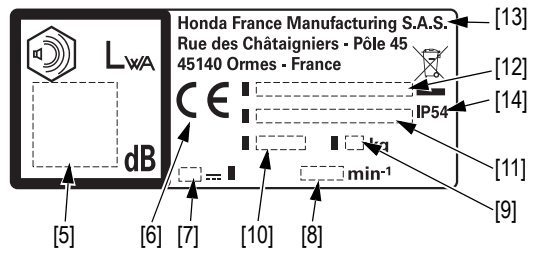
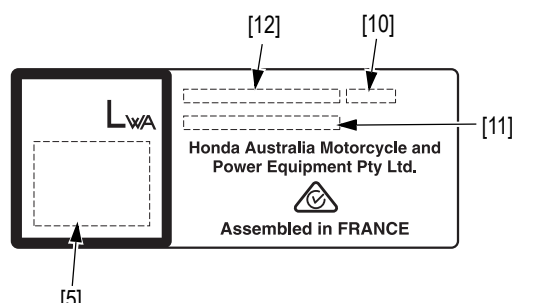
Dessa dekalering utgör en del av maskinen. Kontakta en serviceverkstad för byte om någon skulle lossna eller bli oläslig.

Vi uppmanar dig även att läsa igenom säkerhetsföreskrifterna noggrant (se sidan 2).

Avsedd för Europa (PEEA, SEEA)	Avsedd för Australien (PEUA, SEUA)
	<p>⚠ DANGER</p> <p>SHARP BLADE You will be seriously cut by the rotating blade. Keep hands and feet away when motor is running.</p> <p>⚠ WARNING</p> <p>AVOID SERIOUS INJURY OR DEATH. ■ Follow all instructions in Owner's Manual. ■ Keep safety devices (guards, shields, switches, etc.) in place and working. ■ Avoid steep slopes. ■ Look down and behind before and while moving backwards. ■ Do not operate unless properly trained. ■ To reduce the risk of electric shocks, do not expose to water or operate on wet ground. ■ Remove the battery pack before servicing or removing blade. OBJECTS THROWN BY BLADE CAN CAUSE SERIOUS INJURY. ■ Inspect area and remove debris before mowing. ■ Do not mow when children or others are around. ■ Wear eye protection. DO NOT OPERATE UNLESS GUARD IS CLOSED OR BAG IS IN PLACE.</p>

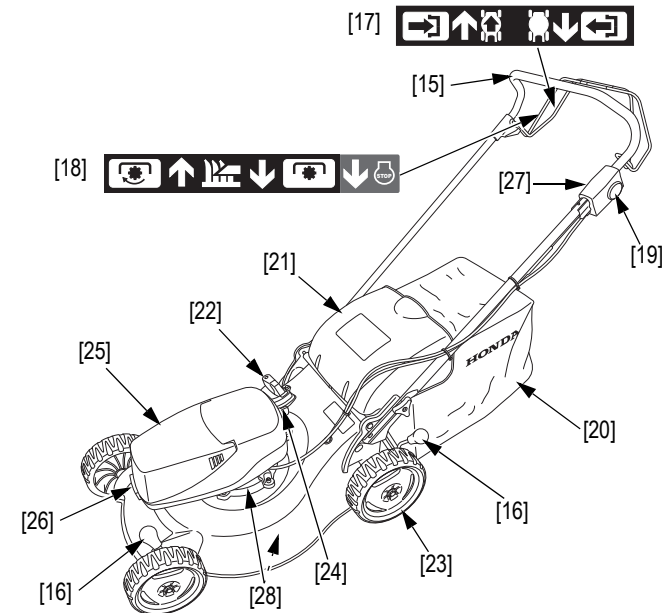
- [1] **WARNING:** Läs instruktionsboken innan du använder maskinen.
- [2] Risk för stenskött eller motsvarande: Se till att inga personer befinner sig på det område som ska klippas.
- [3] Risk för skärskador. Roterande knivar: Håll händer och fötter borta från knivområdet. Ställ in fränkskijarnyckeln i avstängt läge (O) och ta bort fränkskijarnyckeln och batteriet innan du justerar, rengör eller lämnar produkten obevakad under en tid. Knivarna fortsätter att rotera efter att motorn har stängts av.
- [4] Använd inte maskinen utan utkastarkåpa eller gräsuppsamlare på plats.

IDENTIFIERING AV MASKINEN

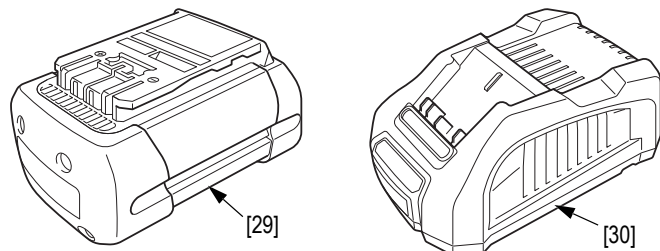
Avsedd för Europa (PEEA, SEEA)

Avsedd för Australien (PEUA, SEUA)


- [5] Ljudeffektnivå
- [6] CE-märkning
- [7] Märkspänning
- [8] Rekommenderat motorvarvtal i min⁻¹
- [9] Vikt i kilo
- [10] Tillverkningsår
- [11] Serienummer
- [12] Modell - typ
- [13] Tillverkarens namn och adress
- [14] IP-kod (skydd mot fukt- och dammintrång (garanteras endast med batteriet monterat))

ALLMÄN BESKRIVNING



Batteri och laddare
*Ett särskilt batteri och en laddare behövs för att använda dessa maskiner. De säljs separat.



IDENTIFIERING AV UTRUSTNINGEN

REGLAGE	FUNKTIONER
[15] Handtag	
[16] Spak för justering av klipphöjden	För val av önskad klipphöjd
[17] Drivkopplingsspak (endast HRG466XB)	Styr transmissionen som driver bakhjulen
[18] Knivkopplingsspak	Stoppas och startar knivarnas rotation
[19] Gul knapp	Motorn styrs med en dubbel funktionsbrytare för att förhindra oavsiktlig start
[20] Gräsuppsamlare	Samlar upp gräsklippet
[21] Utkastarkåpa	Skyddar mot föremål som slungas ut
[22] Klippväljare (endast HRG466XB)	Växlar mellan finfördelning (mulching)/bakre utkast
[23] Bakhjul	
[24] Fränkskijarnyckel	
[25] Batterilucka	
[26] Batteriluckans öppningsspak	
[27] Batteriindikator	
[28] Motorns kylflänsar	
[29] Batteri	
[30] Laddare	

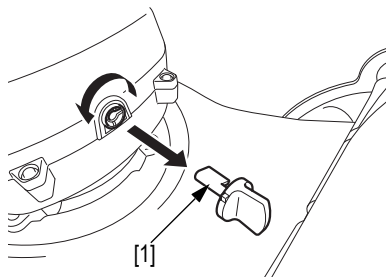


Kasta inte elektrisk utrustning tillsammans med hushållsavfall. Om elektriska apparater kastas på soptippar kan ämnen läcka ut och reagera med andra ämnen samt ta sig in i näringskedjan till skada för hälsa och välbefinnande. Kontakta en serviceverkstad eller närmaste återvinningscentral för mer information om avfallshantering av denna produkt.

FÖRBEREDELSE OCH KONTROLLER FÖRE ANVÄNDNING

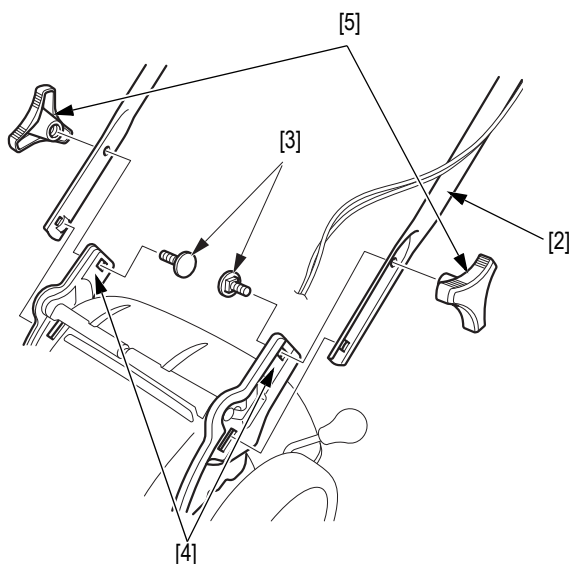
⚠ VARNING

Utför kontrollerna genom att placera maskinen på fast och plan mark när frånskiljarnyckeln [1] och batteriet tagits bort från maskinen.



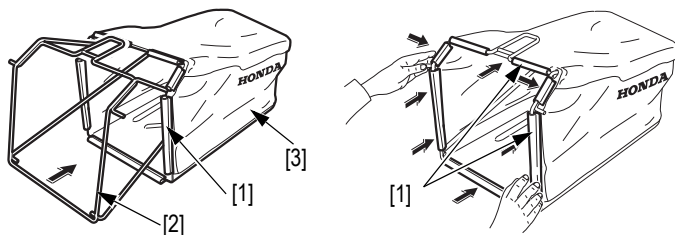
HOPSÄTTNING AV STYRHANDTAGET

1. Kontrollera att gräsuppsamlaren inte är monterad.
2. Fäst handtaget [2] på ramen så att kablarna är på vänster sida.
3. Montera de två bultarna [3] på handtagets fästpunkter [4] från insidan av handtaget. Fäst dem med två fästvred [5]. Se till att vreden är ordentligt åtdragna.



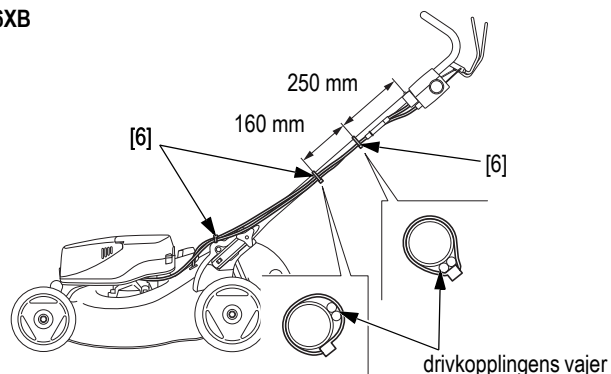
MONTERA GRÄSUPPSAMLAREN

Montera ramen [2] i tyget [3] på gräsuppsamlaren och passa in plastkanterna [1] i ramen.

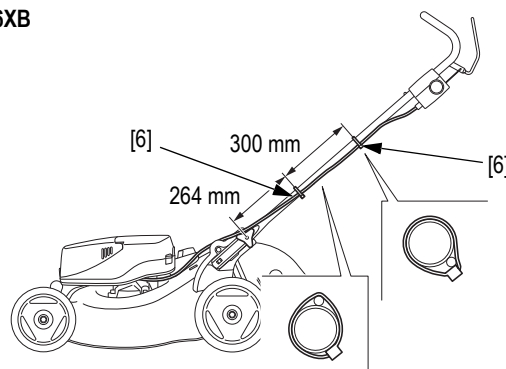


4. Kontrollera att kablarna passerar över det vänstra handtagets fästvred och att de är fästa på den vänstra sidan av handtaget med buntband [6] så som visas på bilden.

HRG466XB



HRG416XB



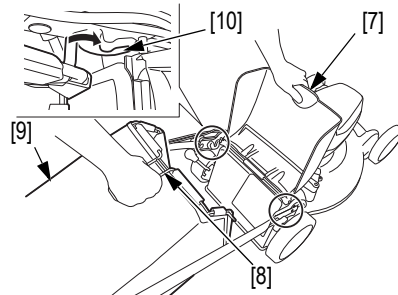
KONTROLLERA GRÄSUPPSAMLAREN

⚠ VARNING

Före användning ska du se till att gräsuppsamlarens förslutningsenhet är ordentligt stängd (utkastarskydd). Gräsuppsamlarens slits även vid normal användning. Kontrollera regelbundet att den inte är nött eller sliten. En sliten gräsuppsamlare måste bytas ut. Byt en skadad gräsuppsamlare mot Honda originaldelar.

Ta bort gräsuppsamlaren:

1. Lyft utkastarskyddet [7], fatta tag i handtaget [8] och ta bort gräsuppsamlaren [9] samtidigt som du håller den i upprätt läge.



Sätta fast gräsuppsamlare:

1. Lyft utkastarskyddet och haka fast den främre delen av gräsuppsamlaren på maskinens fästfläkar [10].

ANMÄRKNING:

- Maskinen fungerar som en dammsugare, den blåser in luft i gräsuppsamlaren vilket suger upp gräsklippen. Töm gräsuppsamlaren innan den är full för att förenkla tömning och minimera spill av gräsklippen. Uppsamlingsförmågan minskar när gräsuppsamlaren fyllts till omkring 90 %.
- Endast HRG466XB: Finfördelning (mulching) är en naturlig gödnings teknik. Gräsklippen samlas inte i gräsuppsamlaren utan finfördelas och återförs till gräsmattan. Gräsklipp som hackas upp på det här viset förmultnar i solen och bildar ett naturligt humuslager som kan stå för minst en fjärdedel av det årliga behovet av gödning för din gräsmatta.
- Förutom gödningsfunktionen skyddar finfördelningen (mulching) marken, begränsar vattenavdunstningen under varma perioder och gör att du slipper arbetet med att ta hand om gräsklippen.

FÖRBEREDA BATTERIET

Ett laddat batteri måste vara monterat på maskinen när den ska användas. Se sidan 6 angående hantering av batteriet.

MONTERING OCH BORTTAGNING AV BATTERI

⚠ VARNING

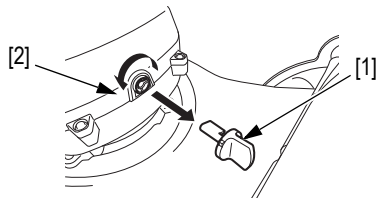
Hantera inte med våta händer eller i regn.

OBSERVERA:

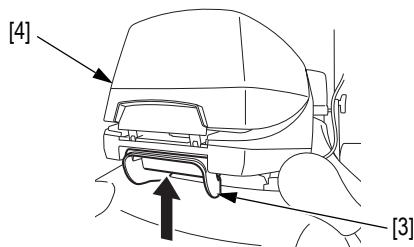
- Var försiktig när du stänger batteriluckan så att du inte klämmer fingrarna i batteriluckan.
- Var uppmärksam när åtgärder utförs för att undvika skador.
- Använd alltid ett Honda-batteri.

Installation:

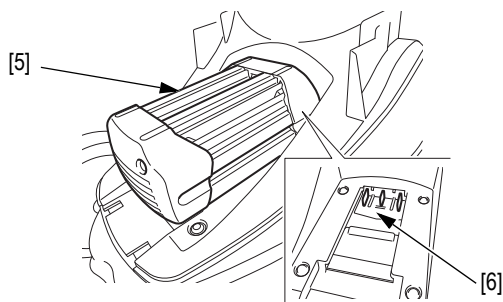
1. Vrid fränskiljarnyckeln [1] till avstängt läge (O) [2] och ta bort nyckeln från motorn.



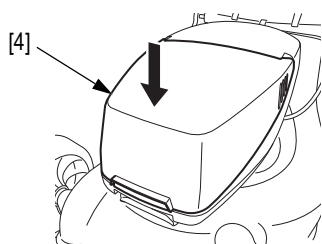
2. Tryck på batteriluckans öppningsspak [3] för att öppna batteriluckan [4].



3. Se till att batteriets monteringsområde är rent. Montera batteriet [5] på terminalen [6]. Tryck in batteriet tills du hör ett klick.



4. Stäng batteriluckan ordentligt.



OBS:

När du öppnar luckan ska du alltid kontrollera att batteriet är ordentligt anslutet innan du stänger den.

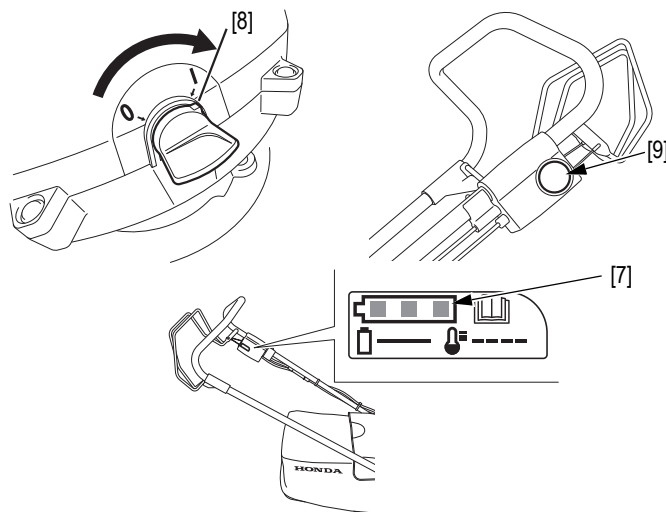
Borttagning:

1. Vrid fränskiljarnyckeln till avstängt läge (O) och ta bort nyckeln från motorn.
2. Tryck på batteriluckans öppningsspak för att öppna batteriluckan. **Batteriet lossnar från terminalen samtidigt** som luckan öppnas.
3. Plocka upp batteriet.
4. Stäng batteriluckan ordentligt.

KONTROLLERA BATTERINIVÅN

Batterinivån visas på batteriindikatorn [7] på handtagets vänstra sida.

1. Montera batteriet på maskinen.
2. Sätt in fränskiljarnyckeln i motorn och vrid nyckeln till läget ON (I) [8].
3. Batteriindikatorn tänds när du trycker på den gula knappen [9].

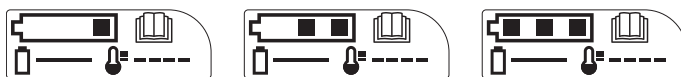


4. Återstående batterikapacitet visas i tre nivåer.

LED-lampornas beteende på batteriindikatorn

- LED-lamporna visar batteriets och maskinens status.
- När batteriet är monterat, och fränskiljarnyckeln är på, tänds LED-lamporna när den gula knappen eller knivkopplingsspaken används.
- LED-lamporna tänds i cirka 48 sekunder.
- LED-lamporna tänds inte när maskinen är igång.

LED-lamporna visar maskinens eller batteriets skick på följande sätt.



LED 1 tänd

0 % < laddning ≤ 30 %

LED 2 tänd

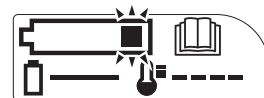
30 % < laddning ≤ 60 %

LED 3 tänd

60 % < laddning ≤ 100 %

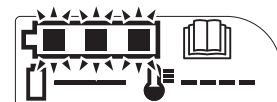
LED-lampa 1 blinkar

Laddning 0 % = Tom



LED-lampa 3 blinkar

Motorn har stängts av på grund av att motorn eller batteriet överhettas. Vrid fränskiljarnyckeln till (O) och låt maskinen svalna i 30 till 60 minuter.



Ladda batteriet om batterinivån är låg.

Se de bifogade instruktionerna för batteriet och laddaren.

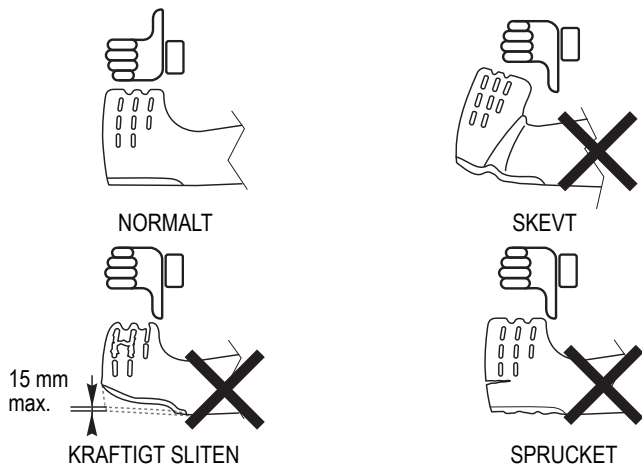
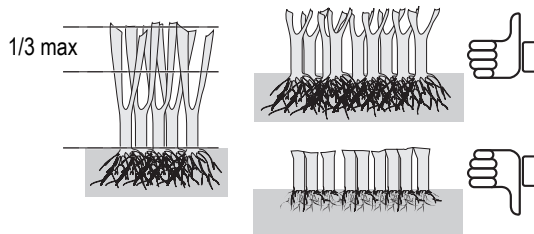
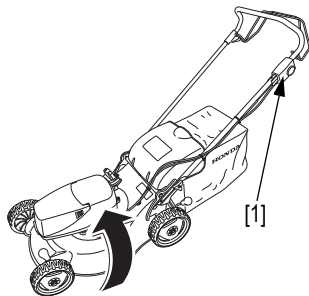
LADDA BATTERIET

Se de bifogade instruktionerna för batteriet och laddaren.

KONTROLLERA KNIVARNAS SKICK

Kontrollera knivarnas skick:

1. Kontrollera att fränskiljarnyckeln och batteriet har tagits bort från maskinen.
 2. Luta maskinen åt höger så att den gula knappen [1] är uppåt.
- Kontrollera om knivarna visar tecken på förslitning. Knivarna måste bytas när fördjupningarna börjar gå i varandra, när det uppstått en spricka eller om de är böjda.



- Kontrollera att knivbultarna inte sitter lösa (se kapitlet Underhåll [sidan 11](#)).
- Se procedurerna som beskrivs i kapitlet Underhåll [sidan 11](#) för byte eller borttagning av knivar.

⚠ VARNING

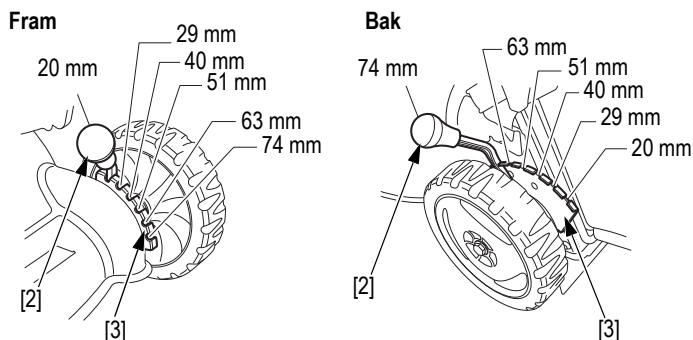
Använd aldrig maskinen med slitna, skadade, spruckna eller böjda knivar. Om en bit av knivarna lossnar och kastas ut ur maskinen kan det orsaka allvarliga personskador.

ANMÄRKNING: Förslitningen av knivarna ökar om maskinen används på sandjord. Kontrollera knivarna oftare om maskinen används under sådana förhållanden.

JUSTERING AV KLIPPHÖJD

Ändring av klipphöjd:

1. Ta bort fränskiljarnyckeln och batteriet eller vrid fränskiljarnyckeln till avstängt läge (O).
2. Dra justerspaken [2] mot hjulet och placera den i justerspåret [3]. Justerspaken och justerspåret ligger nära vänster fram- och bakhjul.



Inställningsvärdena för klipphöjden är ungefärliga. Den verkliga klipphöjden kommer att variera beroende på gräsmattans beskaffenhet och markförhållandena. För att välja rätt klipphöjd bör du klippa en liten bit av gräsmattan och kontrollera resultatet. Därefter kan du justera inställningen av klipphöjden vid behov.

ANMÄRKNING:

- Klipp inte mer än 1/3 av grässets höjd åt gången. I annat fall kommer det att bildas bruna fläckar. Klippningen blir snyggare och det minskar risken att knivarna eller gräsutkastet blockeras.
- Om gräset är för högt ska du klippa med högsta klipphöjdsinställningen på maskinen. Klipp gräsmattan igen 2 till 3 dagar senare.
- Hur djupt gräsrotterna når står i proportion till höjden på det klippta gräset: ju kortare klippning, desto ytligare rötter.
- Välj en klipphöjd som lämpar sig för det som gräsmattan används till: lek och sport: 5 cm eller högre, prydnad: 1 till 3 cm.
- Endast viss typ av gräs lämpar sig för kort klipphöjd. Om gräsmattan klipps för kort, blir den ömtålig och känslig för uttorkning. Fråga gärna om råd hos en specialist.

KONTROLLERA KNIVBULTENS ÅTDRAGNING

Se **MONTERA OCH TA BORT KNIVARNA** ([sidan 12](#)).

KONTROLLERA DRIVKOPPLINGSVAJERN (ENDAST HRG466XB)

Se **KONTROLLERA DRIVKOPPLINGENS VAJER (ENDAST HRG466XB)** ([sidan 11](#)).

KONTROLLERA KNIVKOPPLINGSVAJERN

Se **KONTROLLERA KNIVKOPPLINGSVAJERN** ([sidan 12](#)).

KONTROLLERA MOTORNS KYLFLÄNSAR OCH BATTERIUTRYMMET

Se **RENGÖRA MOTORNS KYLFLÄNSAR OCH BATTERIUTRYMMET** ([sidan 13](#)).

KONTROLLERA MOTORNS ROTATON

Kontrollera att det inte finns några fel, onormala ljud eller vibrationer genom att dra igång och stoppa motorn.

Om det finns fel, onormala ljud eller vibrationer i motorn ska du omedelbart sluta använda den och kontakta en serviceverkstad.

KONTROLLERA RUNT MASKINEN

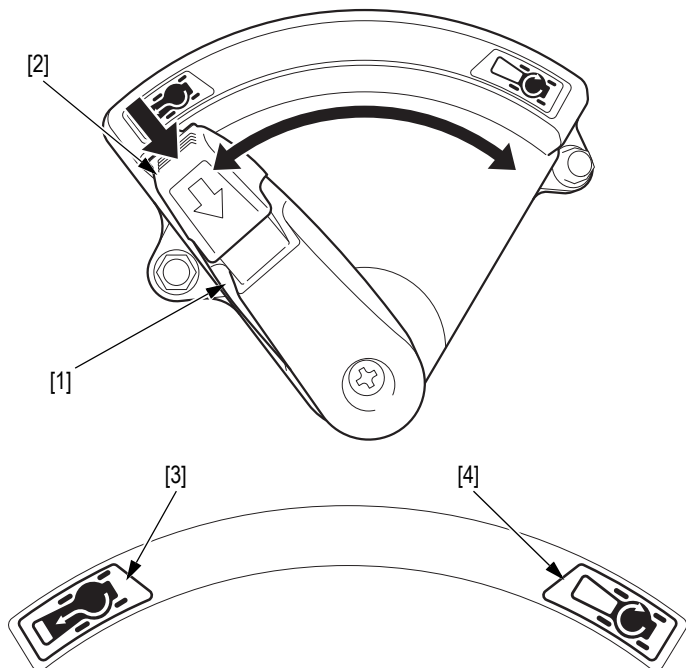
Kontrollera med avseende på och avlägsna skräp, gräs och andra främmande föremål runt maskinen.

VÄLJA KLIPPMETOD (ENDAST HRG466XB)

ÄNDRA KLIPPVÄLJAREN

Klippläget kan ändras med klippväljaren [1].

1. Koppla bort knivkopplingsspaken och drivningens kopplingsreglage.
2. Tryck på upplåsningsskruven [2] och välj klippläge genom att vrida på klippväljaren.



- Gräsuppsamling/bakre utmatning [3]: allt gräs klippas kastas ut på baksidan av maskinen utan att finfördelas. Det utkastade gräset samlas upp i gräsuppsamlaren om den är monterad. Utan gräsuppsamlaren kommer gräset att matas ut på marken. Se [sidan 5](#) angående montering och borttagning av gräsuppsamlaren.
- Finfördelningsläge (mulching) [4]: gräs klippas matas inte ut baktill på maskinen, utan finfördelas och återförs till gräsmattan. Gräs klippas som hackas upp på det här viset förmultnar och bildar ett naturligt gödsel som kan stå för minst en fjärdedel av det årliga behovet av gödning för din gräsmatta.

ANMÄRKNING:

- Finfördelning (mulching) är en naturlig gödningsteknik. Gräs klippas samlas inte i gräsuppsamlaren, utan finfördelas och återförs till gräsmattan.
- Förutom gödningsfunktionen skyddar finfördelningen (mulching) klippytan, begränsar vattenavdunstningen under varma perioder och gör att du slipper arbetet med att ta hand om gräs klippas.

UTKAST BAKÅT

Om du inte vill samla upp gräs klippas kan maskinen användas utan gräsuppsamlaren i mulchingläget [3]. I det här fallet så kastas gräs klippas ut via utkastarkåpan ner mot marken.



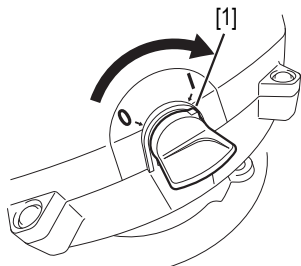
KLIPPNING

HRG416XB och HRG466XB är batteridrivna produkter. När du trycker på knivkopplingsspaken samtidigt som den gula knappen trycks in börjar motorn och knivarna att rotera omedelbart.

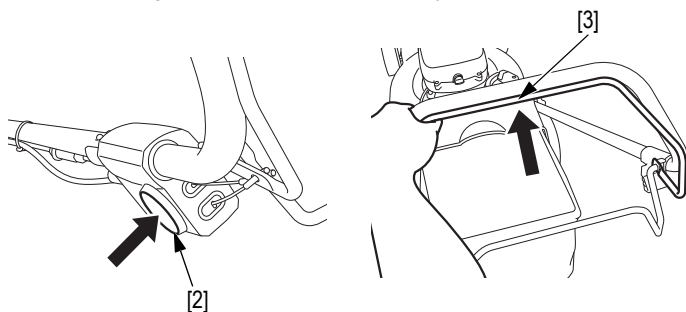
ROTERA KNIVARNA

Se till att det laddade batteriet är monterat på maskinen (sidan 6).

1. Sätt in fränskiljarnyckeln i motorn och vrid nyckeln till läget ON (I) [1].



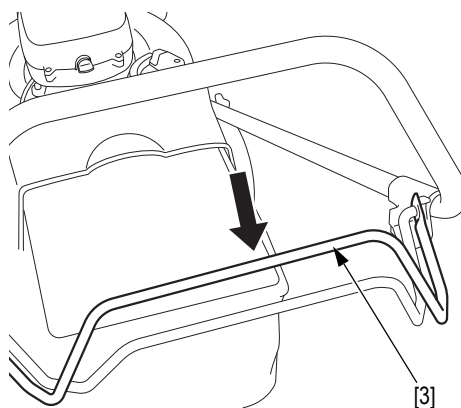
2. Tryck på den gula knappen [2] och tryck samtidigt på knivkopplingsspaken [3]. Knivarna börjar rotera.



3. Släpp den gula knappen. Håll fast knivkopplingsspaken när du vill stoppa knivarnas rotation.

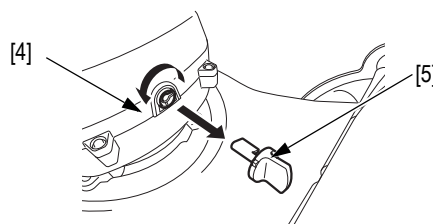
STOPPA KNIVARNAS ROTATION

1. Släpp knivarnas kopplingsreglage [3]. Knivarna slutar att rotera.



Gör följande om du lämnar maskinen eller slutar arbeta m.m.

2. Vrid fränskiljarnyckeln till avstängt läge (O) [4] och ta bort fränskiljarnyckeln [5] från motorn.



Ta bort batteriet om det behövs (sidan 6).

ANVÄNDNINGSTIPS

⚠ VARNING

Var särskilt försiktig när du klipper på ojämn eller oregelbunden mark.

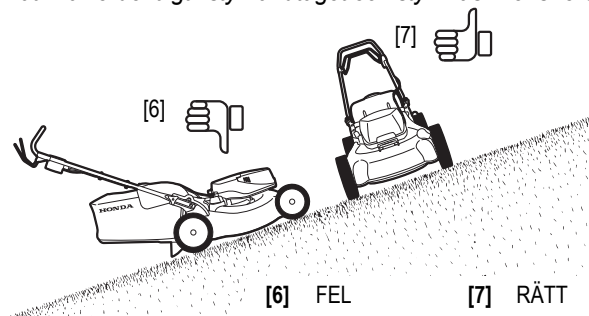
Maskinen kan välta och knivarna kan kasta ut dolda föremål.

Se till att alla 4 hjulen har ordentlig kontakt med marken.

Styr maskinens riktning med handtaget och inte genom att trycka på klippenheten med foten.

OBSERVERA:

- När du klipper runt hinder ska du vara försiktig så att knivarna inte träffar dem. Kör aldrig maskinen rakt över ett föremål.
- Om du klipper på en ojämn yta får du inte låta maskinen dra dig framåt. Håll ordentligt i styrhandtaget och styr maskinens rörelser.



KLIPPNING

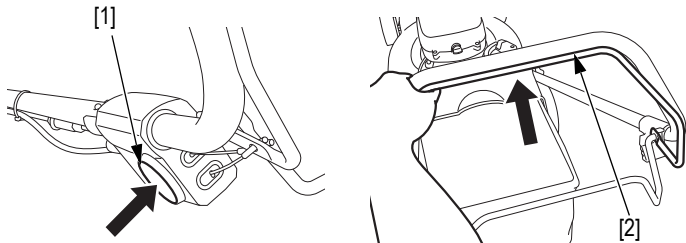
Läs säkerhetsanvisningarna innan du börjar klippa.

Använda det självgående systemet (endast HRG466XB):

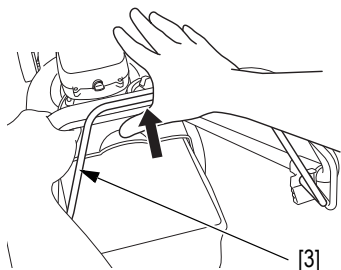
⚠ VARNING

Släpp alltid drivkopplingsspaken när du kopplar in knivkopplingsspaken. Om drivkopplingen är inkopplad kommer maskinen att börja köra när motorn startas.

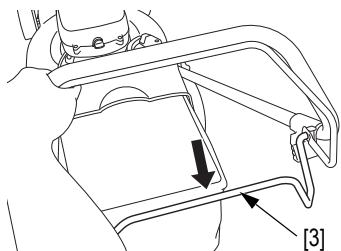
1. Starta motorn och koppla in knivarna.
 - Tryck på den gula knappen [1] och tryck samtidigt på knivkopplingsspaken [2]. Knivarna börjar rotera.



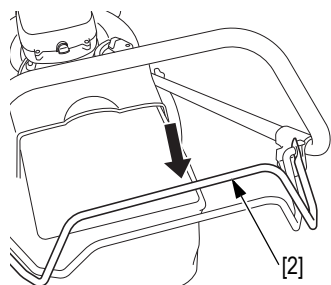
2. Tryck in drivkopplingsspaken helt.



3. För att stoppa maskinen från att röra sig framåt.
 - Släpp drivkopplingshandtaget.



4. Stoppa knivarnas rotation.
 - Släpp knivkopplingen.

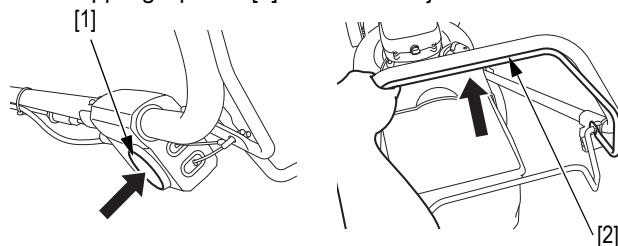


Tryck för hand för att driva på maskinen (alla typer):

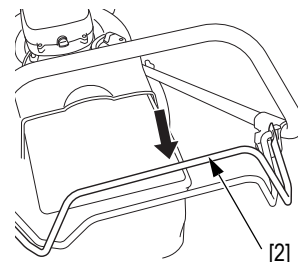
⚠ VARNING

Släpp alltid drivkopplingsspaken när du kopplar in knivkopplingsspaken. Om drivkopplingen är inkopplad kommer maskinen att börja köra när motorn startas.

1. Starta motorn och koppla in knivarna.
 - Tryck på den gula knappen [1] och tryck samtidigt på knivkopplingsspaken [2]. Knivarna börjar rotera.



2. Tryck på handtaget för hand för att klippa gräsmattan.



3. Stoppa knivarnas rotation.
 - Släpp knivkopplingen.

ANMÄRKNING: Det går att låta bli att använda riktningen framåt vid klippning i områden med en smal yta (smala leder, kanter etc.).

ANMÄRKNING: Klippäckvidden (batteriets drifttid) beror på gräsmattans skick, grässets täthet, fuktinnehåll, grässets längd och klipphöjden. Klippäckvidden (batteriets drifttid) minskar om maskinen ofta stängs av och startas under klippningen. För att öka klippäckvidden (batteriets drifttid) bör du klippa oftare, öka klipphöjden och klippa i normal gångtakt.

Den här modellen är utrustad med en termisk skyddsanordning.

- Funktion: förhindrar att motorn överhettas eller skadas till följd av onormal användning.
- Utlösning av skyddsanordningen: när maskinen överbelastas så bryts strömmen till motorn direkt.

Gör följande om skyddet utlöses:

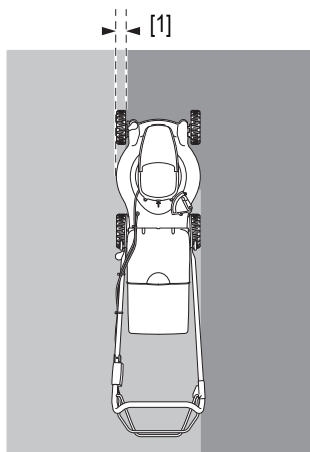
- Släpp den gula knappen.
- Ta bort batteripacket.
- Ta reda på vad som orsakade problemet och åtgärda anledningen: för låg klipphöjd (för högt och/eller tätt gräs), främmande föremål som förhindrar att knivarna roterar fritt osv.
- Låt maskinen svalna i ett svalt utrymme (i 30 till 60 minuter).

Försiktighetsåtgärder när maskinen ska startas igen:

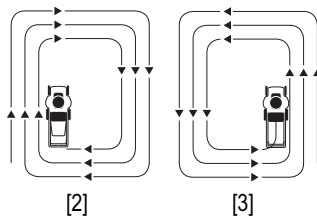
- Ta bort batteripacket.
- Kontrollera att knivarna kan röra sig fritt (använd skyddshandskar).
- Kontrollera säkerheten på platsen (föremål på gräsmattan, personer eller djur i närheten).
- Montera batteriet.
- Aktivera den gula knappen.
- Starta om maskinen och kontrollera att problemet har åtgärdats. Kontakta en serviceverkstad om problemet kvarstår.

ANMÄRKNING:

- Klippningsintervall: en gång i veckan för gräsmattor som används för lek och avkoppling, två gånger i veckan för prydnadsgräsmattor.
- Om du har möjlighet ska du helst klippa på eftermiddagen eller kvällen innan du vattnar, eftersom gräset ska vara torrt. Om det är mycket damm i gräsmattan ska du klippa när gräset är torrt men marken fuktig.
- Välj en klipphöjd som passar terrängen (se sidan 7).
- Vid normal klippning ska du överlappa föregående klippningsstråk med cirka fem centimeter [1] och öka överlappningszonen om klipphöjden är hög.
- För maximal effektivitet ska du följa föreslaget stråk.
- Om gräsmattan inte har regelbunden form eller har många hinder, ska du dela upp den i mindre enheter där du kan följa rekommendationerna.



- [2] Uppsamling: arbeta medurs för maximal effektivitet.
- [3] Mulching (endast HRG466XB): arbeta moturs.



TÖMMA GRÄSUPPSAMLAREN

När gräsuppsamlaren blir för full kommer gräsuppsamlingen att minska i effektivitet (maskinen låter annorlunda och uppsamlaren blir inte längre uppblåst av lufttrycket från knivarna).

HRG466XB:

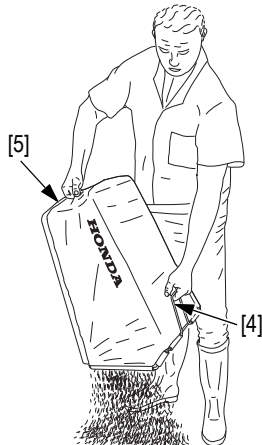
1. Släpp knivkopplingsspaken och drivkopplingsspaken.

HRG416XB:

1. Släpp knivkopplingen.

Alla modeller:

2. Ta bort gräsuppsamlaren (se sidan 5).
3. Tömma gräsuppsamlaren:
 - Håll gräsuppsamlaren i metallhandtaget [4].
 - Håll i gräsuppsamlaren [5] och skaka gräsuppsamlaren för att tömma ut gräsklippen.



OBSERVERA:

- Minska brandrisken genom att aldrig lämna kvar gräsklippen och löv i gräsuppsamlaren eller inuti eller nära byggnader. Kompostering av gräsklipp gör att temperaturen ökar.

⚠ VARNING

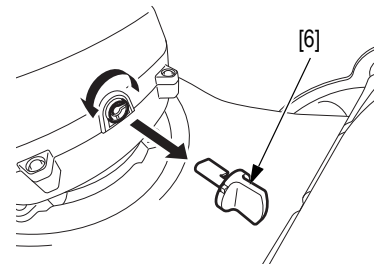
Före användning ska du se till att gräsuppsamlarens förslutningsenhet är ordentligt låst (utkastarkåpa).

UNDERHÅLL

Regelbundet underhåll hjälper till att förlänga livslängden på maskinen.

⚠ VARNING

Utför arbetena genom att placera maskinen på fast och plan mark när fränskiljarnyckeln [6] och batteriet tagits bort från maskinen.



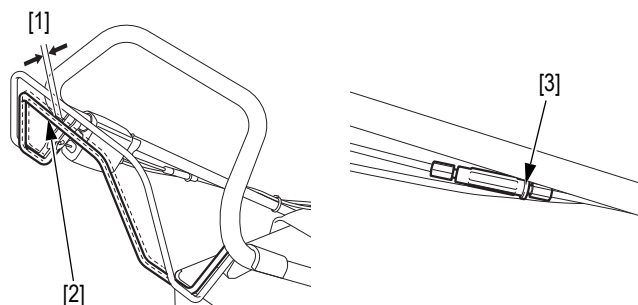
ANMÄRKNING: Se till att undersidan av maskinen är ren och fri från gräsklipp genom att göra rent den med en borste och en skrapa. På så sätt förlängs maskinens livslängd och effektiviteten förbättras. Efter användning måste maskinen göras ordentligt ren innan den ställs undan.

KONTROLLERA DRIVKOPPLINGSVAJERN (ENDAST HRG466XB)

Mät spelet [1] vid spetsen på drivkopplingsspaken [2] så som visas. Spel: inom 1 till 5 mm

Justera vajern om spelet inte ligger inom gränsen.

1. Lossa låsmuttern [3].
2. Lossa eller spänn vajern så att det uppnås ett spel [1] på 1 till 5 mm.
3. Dra åt låsmuttrarna [3] igen och kontrollera spelet [1] på nytt.
4. Starta motorn. Tryck på drivkopplingsspaken och släpp den. Kontrollera att maskinen startar och stoppas på rätt sätt.

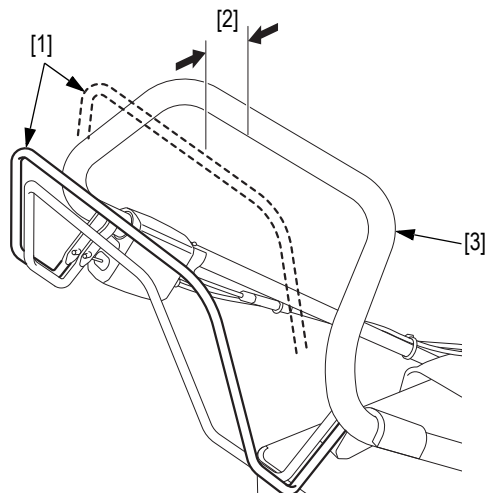


ANMÄRKNING: Om kopplingen inte aktiveras på rätt sätt, även om vajern är korrekt justerad, kan systemet behöva justeras. Ta maskinen till en serviceverkstad.

KONTROLLERA KNIVKOPPLINGSVAJERN

Motorn måste slås på eller av när knivkopplingsspaken [1] är placerad mellan de specificerade lägena [2].

Specificerat läge: mellan 30 och 60 mm från handtaget [3].



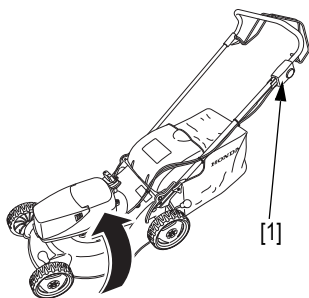
ANMÄRKNING: Om motorn slås på eller av utanför de specificerade lägena kanske systemet måste repareras. Ta maskinen till en serviceverkstad.

MONTERA OCH TA BORT KNIVARNA



TA BORT KNIVARNA

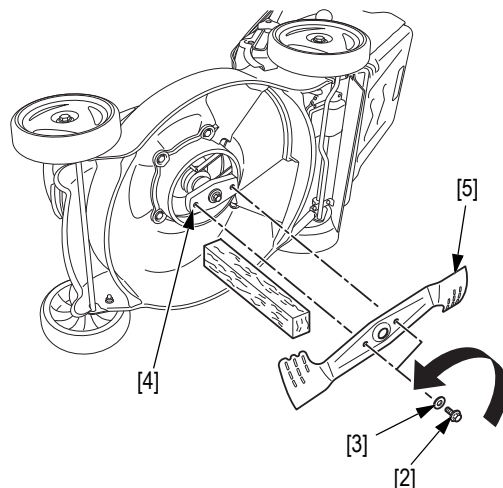
1. Kontrollera att frångiljarnyckeln och batteriet har tagits bort från maskinen.
2. Luta maskinen så att den gula knappen är vänd uppåt [1].



3. Använd en 14 mm hylsnyckel och ta bort de 2 knivbultarna [2] och specialbrickorna [3] från knivfästet [4].

Använd en tråkloss för att förhindra att knivarna roterar medan du tar bort bultarna.

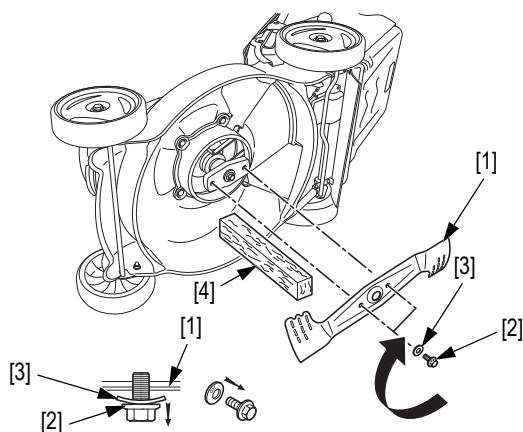
4. Ta bort knivarna [5].



MONTERA KNIVARNA

1. Avlägsna smuts och gräs från området runt knivarnas monteringsområde.
2. Montera knivarna [1] med de 2 knivbultarna [2] och specialbrickorna [3] så som visas.

Knivbultarnas moment: 54 N·m



Placera specialbrickorna med den konvexa sidan, markerad "OUT", vänd mot bultarna.

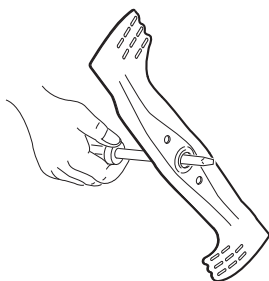
Knivarnas bultar är speciellt utformade för detta ändamål och får inte bytas ut mot andra bultar.

3. Dra åt knivbultarna med en momentnyckel. Använd en tråkloss [4] för att förhindra att knivarna roterar.

OBSERVERA:

- Om du inte har en momentnyckel ska du be att en serviceverkstad drar åt knivbultarna innan du använder maskinen.
- Om knivbultarna är för hårt eller för löst åtdragna kan de gå sönder eller skruvas ur.

BYTA KNIVARNA



OBSERVERA:

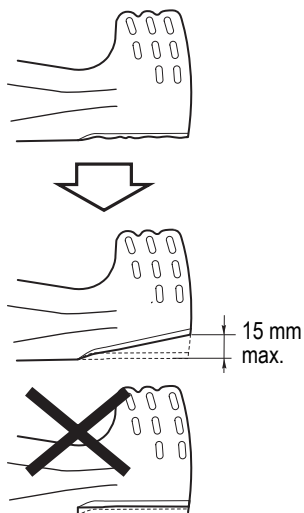
- *Knivarnas balans är viktig för att maskinen ska fungera korrekt. Byt alltid knivar som är skadade eller obalanserade.*
- *Använd endast Honda originalknivar vid byte.*

SLIPA KNIVARNA

OBSERVERA:

- *Knivarna ska slipas av kunnig personal på en serviceverkstad för att undvika att knivarna försvagas, blir obalanserade eller får dålig skärpa.*

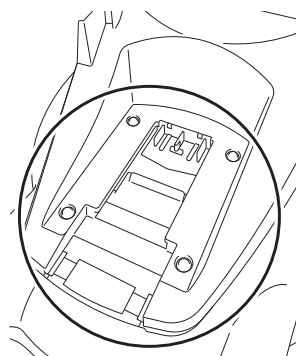
1. Slipa knivarnas skärepp med en fil. Fila bara på ovansidan. Se till att den ursprungliga slipvinkeln bibehålls för bästa skärepp. Fila båda ändarna lika mycket för att bibehålla knivarnas balans.
2. Efter slipningen ska du testa knivarnas balans med en skruvmejsel så som visas ovan. Om någon ände sjunker ner lite under horisontallinjen, ska du slipa den sidan. Byt knivar om ena sidan sjunker ner mycket.



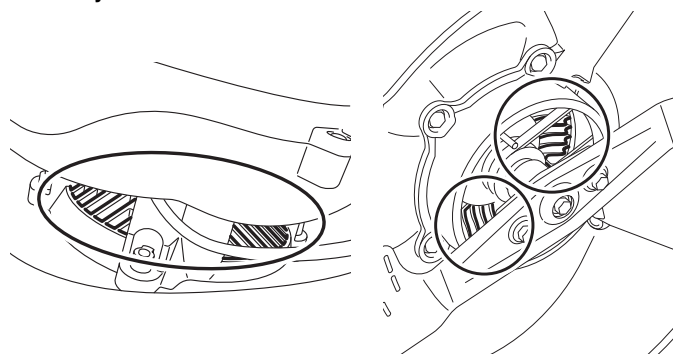
RENGÖRA MOTORNS KYLFLÄNSAR OCH BATTERIUTRYMMET

1. Avlägsna smuts och gräs runt motorns kylflänsar och batteriutrymmet med en mjuk, torr borste så som visas på bilden.

Batteriutrymme



Motorns kylflänsar



RENGÖRING OCH BYTE AV GRÄSUPPSAMLAREN

RENGÖRING AV GRÄSUPPSAMLAREN

OBSERVERA:

- Om gräsupsamlaren görs ren med högtrycks- eller ångtvätt, kommer tyget att skadas.
- Ett igentäppt nät kommer att hindra gräsklippen från att komma in i gräsupsamlaren.
- Vi rekommenderar att du tvättar gräsupsamlaren med hjälp av en vattenstråle som du sprutar utifrån och in på gräsupsamlaren. Gräsupsamlaren måste vara helt torr innan du använder den igen. Om den är fuktig kommer den att tappas igen mycket snabbt.



⚠ VARNING

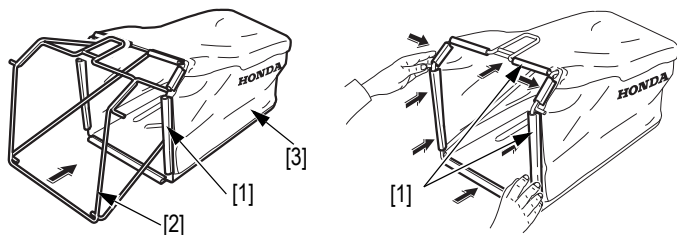
Föremål som träffas av knivarna kan slungas rakt igenom en sliten eller skadad gräsupsamlare.

Föremål som slungas ut av knivarna kan orsaka allvarliga skador. Byt alltid ut en sliten eller skadad gräsupsamlare.

BYTA GRÄSUPPSAMLARENS TYG

Gräsupsamlaren slits även vid användning under normala förhållanden. Kontrollera regelbundet att den inte är nött eller sliten. Byt en skadad gräsupsamlare mot Honda originaldelar.

1. Lossa plastkanterna [1] på den slitna gräsupsamlaren [3] och ta bort gräsupsamlarens ram [2].
2. Montera ramen i tyget på den nya gräsupsamlaren och passa in plastkanterna [1] mot ramen.



RENGÖRING

Se till att maskinen är ren och fri från skräp före transport eller förvaring. Rengör vid behov med en mjuk, torr borste eller trasa. Använd en vattenslang när gräsupsamlaren rengörs. Använd inte en högtryckstvätt. Använd inga rengöringsmedel när maskinen rengörs.

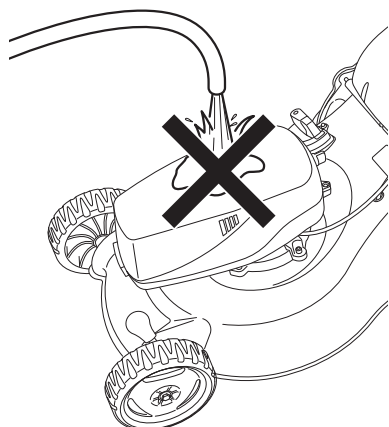
Prestandan förbättras om undersidan av maskinen hålls ren.

Håll batteriets monteringsområde rent.

Se till att systemet för montering och anslutning av batteriet är fritt från smuts och gräsklipp.

Använd inte högtryckstvätt och undvik att blöta ned motorn och de elektriska komponenterna.

Använd inga kraftiga produkter för rengöring av chassit.



UNDERHÅLLSSCHEMA

INTERVALL FÖR REGELBUNDEN SERVICE (3)		Varje användningstillfälle	Efter 100 timmars användning eller varje år	Efter 150 timmars användning eller vartannat år	Se sidan
Genomför åtgärderna vid varje angiven månad eller drifttidsintervall, beroende på vilket som kommer först.					
Knivbultarnas åtdragning	Kontrollera	•			12
Knivar (deformering/skador)	Kontrollera	•			7
Gräsupsamlare	Kontrollera	•			5,11,14
Drivkopplingsvajer (endast HRX466XB)	Kontrollera	•			11
	Justera		•(1)		-
Knivkopplingsvajer	Kontrollera	•			12
Drivrem	Kontrollera			•(1)(2)	-
Spärr (endast HRX466XB)	Fett		•(2)		-
Motorns kylflänsar	Rengör	•			13
Batteritrymme	Rengör	•			13
Motorns rotation	Kontrollera	•			7
Maskinens utsida	Kontrollera	•			7

- (1) Byt ut vid behov.
- (2) Service på dessa delar ska utföras av en serviceverkstad om du inte har rätt verktyg och de mekaniska kunskaper som krävs. Se Hondas verkstadshandbok för uppgifter om serviceförfaranden.
- (3) Vid yrkesmässig användning ska antalet drifttimmar loggas för att fastställa rätt underhållsintervall.

FELSÖKNING

MASKINEN FUNGERAR INTE

Tänkbar orsak	Åtgärd
Batteriet är urladdat.	Ladda batteriet.
Frånskiljarnyckeln är inte ordentligt isatt.	Kontrollera att frånskiljarnyckeln är helt i läget ON (I).
Batteriet är inte ordentligt isatt.	För in batteriet helt.
Batteriet är för varmt/kallt.	Låt batteriet värmas upp/svalna – Kontrollera batteriets LED-display.
Fel på batteriet.	Byt till ett nytt batteri.

MASKINEN FUNGERAR INTERMITTENT

Tänkbar orsak	Åtgärd
De inre kablarna på produkten är skadade.	Kontakta serviceverkstaden.
Motorns/elektronikens värmeskydd har aktiverats.	Låt motorn/elektroniken svalna och öka klipphöjden.
De yttre kablarna är skadade.	Kontakta serviceverkstaden.

MOTORN STARTAR OCH STOPPAS SEDAN DIREKT

Tänkbar orsak	Åtgärd
Batteriet är inte helt laddat.	Kontrollera batteriets display – Ladda batteriet vid behov.
Frånskiljarnyckeln är inte ordentligt isatt.	Kontrollera att frånskiljarnyckeln är helt i läget ON (I).
Batteriet är inte ordentligt isatt.	För in batteriet helt.
Långt gräs har lindats runt knivarna.	Stäng av frånskiljarnyckeln och rensa knivarna.
Batteriet är för varmt/kallt.	Låt batteriet värmas upp/svalna – Kontrollera batteriets LED-display.

KLIPPRÄCKVIDDEN (BATTERIETS DRIFTTID) ÄR FÖR LITEN

Tänkbar orsak	Åtgärd
Klipphöjden är för låg.	Öka klipphöjden.
Gräset är för långt.	Öka klipphöjden.
Gräs är för tätt.	Öka klipphöjden eller klipp gräset oftare.
Batteriet är slut.	Byt till ett nytt batteri.
Låg batterinivå.	Kom ihåg att ladda batteriet helt före användning.

KLIPPNINGS- OCH GRÄSUPPSAMLINGSPROBLEM

Tänkbar orsak	Åtgärd
Maskinen flyttas för snabbt eller gräset är för högt eller tätt.	Flytta den långsammare om möjligt eller öka klipphöjden.
Maskinen körs för snabbt med tanke på gräsmattans skick.	Kontakta en serviceverkstad. (Inte när maskinen skjuts på.)
Gräsuppsamlaren överfull eller igentäppt.	Töm bort gräsuppsamlaren. Tvätta gräsuppsamlaren om den är igensatt med smuts (sidorna 11 och 14).
Maskindäcket är igentäppt.	Rengör maskindäcket (sidan 12).
Knivarna är slöa, slitna eller skadade.	Slipa eller byt ut knivarna vid behov (sidan 13).
Fel knivar är monterade.	Montera rätt knivar (sidan 12).

VIBRATIONER

Tänkbar orsak	Åtgärd
Knivarna är lösa, skeva, skadade eller i obalans genom felaktig slipning.	Dra åt lösa knivbultar. Om knivarna är böjda eller skadade bör du lämna in maskinen till en serviceverkstad för kontroll (sidan 13).
Mekanisk skada, t.ex. en skev motoraxel.	Dessa punkter måste underhållas av en serviceverkstad.

FÖRVARING

FÖRBEREDELSE INFÖR FÖRVARING AV MASKINEN

Kontrollera att frånskiljarnyckeln och batteriet har tagits bort från maskinen innan den förvaras.

Korrekt förvaring är viktigt för att bevara produktens livslängd. Om möjligt ska förvaringsplatser med hög luftfuktighet undvikas eftersom det orsakar rost och korrosion.

Förvaring vid säsongens slut:

- Ta bort batteriet och förvara både maskinen och batteriet på en torr och säker plats borta från direkt solljus.
- Placera inte föremål ovanpå maskinen.
- Rengör produkten noga i förväg om den ska förvaras en längre tid.

ANMÄRKNING: Se de bifogade instruktionerna angående förvaring av batteriet.

TRANSPORT

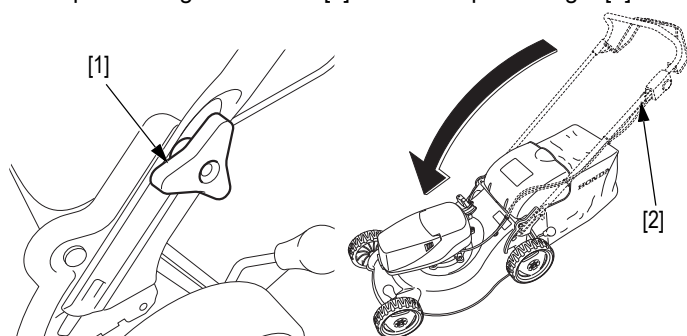
TRANSPORTERA MASKINEN

⚠ VARNING

Kontrollera att frångiljarnyckeln och batteriet har tagits bort från maskinen innan maskinen transporteras eller handtaget fälls ihop.

För att underlätta transporten:

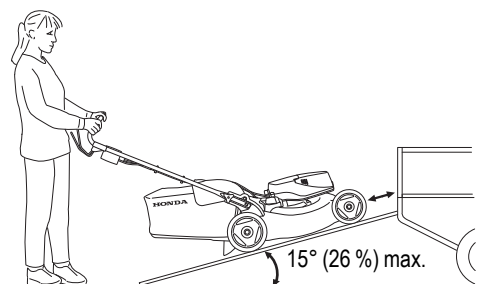
1. Ta bort gräsupsamlaren (se sidan 5).
2. Vrid på handtagets fästred [1] och fäll ihop handtaget [2].



ANMÄRKNING:

Kontrollera att kablarna inte böjs, snor sig, spänns eller kläms när handtaget fälls ned.

LASTA MASKINEN



OBSERVERA:

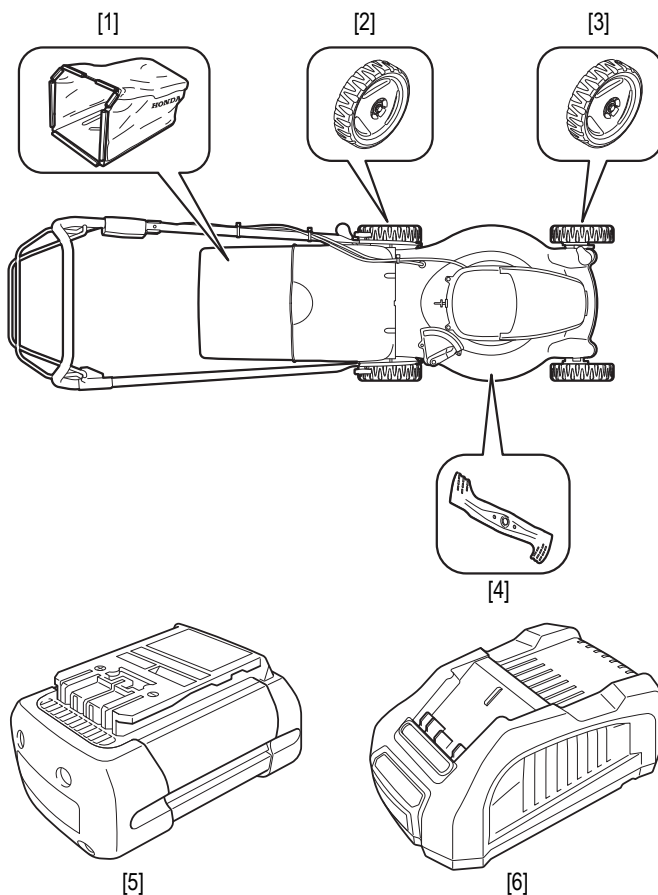
- För att inte förlora kontrollen över eller skada maskinen, ska drivsystemet inte användas när man går upp eller ner på en lastningsramp.
- För att förhindra att drivsystemet skadas ska man inte aktivera kopplingen när maskinen rullar bakåt.
- Transportera maskinen i normalt horisontalt läge med de 4 hjulen på lastbädden.
- Vi rekommenderar att du använder dig av en lastramp eller att du tar hjälp av någon när du lastar på och av maskinen.
- Justera lastrampen så att lutningen är mindre än 15° (26 %).
- Surra fast maskinen med remmar och placera stoppklossar under hjulen när den transporteras.
- Remmarna får inte röra vid följande delar av maskinen: drivkopplingsspaken, knivkopplingsspaken eller styrkablarna.

ANVÄNDBAR INFORMATION

HITTA EN AUKTORISERAD ÅTERFÖRSÄLJARE

Se webbplatsen för Europa:

<http://world.honda.com/>



AKTUELLA DELAR, TILLBEHÖR OCH FÖRBRUKNINGSPARTIKLAR

Om du vill köpa en av originaldelarna som listas nedan eller någon annan del ska du kontakta en serviceverkstad.

	HRG416XB	HRG466XB		
Befintliga delar				
[1]	Gräsupsamlare	81320-VH3-R11	81320-VH4-R11	Endast gräsupsamlare (utan ram)
[2]	Bakhjul	42710-VH3-R10	42710-VH3-R20	
[3]	Framhjula	44710-VH3-R10		
[4]	Standardknivar	72511-VH3-R90	72511-VH4-R90	Kräver användning av momentnyckel
[5]	Batteri	DP3640XA (Standard 4A) DP3660XA (Standard 6A) DPW3660XA (All weather 6A) DPW3690XA (All weather 9A)		
[6]	Laddare	CV3680XA		

⚠ VARNING

För din säkerhet är det strängt förbjudet att installera något annat tillbehör än de som anges ovan och är speciellt utformade för din maskinmodell och -typ.

TEKNISKA SPECIFIKATIONER

MODELL	HRG416XB		HRG466XB	
TYPER	PEEA	PEUA	SEEA	SEUA
ALLMÄNNA EGENSKAPER				
Beskrivningskod	MCEF		MCDF	
Funktion	Gräsklippning			
Mått L x B x H	mm	1 415 x 453 x 980	1 470 x 497 x 980	
Vikt (*)	kg	23	27	
Spår FR/RR	mm	369 / 395	419 / 439	
Klippbredd	cm	41	46	
Klipphöjdsinställningar	mm	6 lägen (20 till 74 mm)		
Hjuldiameter bak/fram	mm	178 / 212		
Gräsuppsamlarens kapacitet	ℓ	42	50	
Ljudtrycksnivå vid operatörens öron (i enlighet med EN60335-2-77:2010)	dB(A)	79	-	80,2
Mätosäkerhet	dB(A)	1,00	-	1,00
Uppmätt ljudeffektsnivå (i enlighet med direktiven 2000/14/EG, 2005/88/EG)	dB(A)	88,76	-	90,63
Mätosäkerhet	dB(A)	0,65	-	1,41
Garanterad ljudeffektsnivå (i enlighet med direktiven 2000/14/EG, 2005/88/EG)	dB(A)	89	-	92
Vibrationstest (i enlighet med EN60335-2-77:2010)(**)	m/s ²	1,07	-	1,33
Felmarginal	m/s ²	0,56	-	0,51
MOTOR				
Typ	3-FAS DC BORSTLÖS			
Max uteffekt	W	1 000	1 800	
Rotationshastighet utan belastning (med knivar)	min ⁻¹	2 900 ± 40	2 800 ± 40	
TRANSMISSION				
Typ	-		1 fast växel	
Motordrivning	-		V-rem	
Antal hastigheter	-		En hastighet	
Körhastighet	m/s	-	0,89	
Smörjning	-		Oljebad och -stänk	
Rekommenderad olja	-		10W40	
Oljevolym	cc	-	65	

(*) Utan batteri.

(**) Värdena gäller för en maskin med gräsuppsamlare monterad på avsedd plats.

Major Honda distributor addresses

Adresses des principaux concessionnaires Honda

Adressen der wichtigsten Honda-Haupthändler

Elenco dei maggiori distributori Honda in Europa

Adressen van Honda-importeurs

Direcciones de los principales concesionarios Honda

AUSTRIA

Honda Motor Europe Ltd
Hondastraße 1
2351 Wiener Neudorf
Tel.: +43 (0)2236 690 0
Fax: +43 (0)2236 690 480
<http://www.honda.at>
✉ HondaPP@honda.co.at

BALTIC STATES (Estonia/Latvia/ Lithuania)

NCG Import Baltics OU
Meistri 12
13517 Tallinn
Harju County Estonia
Tel.: +372 651 7300
Fax: +372 651 7301
✉ info.baltic@ncgimport.com

BELARUS

JV Scanlink Ltd
Montazhnikov lane 4th, 5-16
Minsk 220019
Republic of Belarus
Tel.: +375172349999
Fax: +375172380404
✉ honda@jpmotors.lt

BELGIUM

Honda Motor Europe Ltd
Doornveld 180-184
1731 Zellik
Tel.: +32 2620 10 00
Fax: +32 2620 10 01
<http://www.honda.be>
✉ bh_pe@honda-eu.com

BULGARIA

Premium Motor Ltd
Andrey Lyapchev Blvd no 34
1797 Sofia
Bulgaria
Tel.: +3592 423 5879
Fax: +3592 423 5879
<http://www.hondamotor.bg>
✉ office@hondamotor.bg

CROATIA

AS Domžale Moto center d.o.o.
Brezence
SI-8216 Mirna Peč
Tel.: +386 1 562 37 00
<http://www.honda-as.com>
✉ info@honda-as.com

CYPRUS

Powerline Products Ltd
Cyprus - Nicosia
Vasilias 18 2232 Latsia
Tel.: 0035799490421
✉ info@powerlinecy.com
<http://www.powerlinecy.com>

CZECH REPUBLIC

BG Technik cs, a.s.
U Zavodiste 251/8
15900 Prague 5 - Velka
Chuchle
Tel.: +420 2 838 70 850
Fax: +420 2 667 111 45
<http://www.honda-stroje.cz>

DENMARK

TIMA A/S
Ryttermarken 10
DK-3520 Farum
Tel.: +45 36 34 25 50
Fax: +45 36 77 16 30
<http://www.tima.dk>

FINLAND

OY Brandt AB.
Tuupakantie 7B
01740 Vantaa
Tel.: +358 207757200
Fax: +358 9 878 5276
<http://www.brandt.fi>

FRANCE

Honda Motor Europe Ltd
Division Produit d'Equipe-
ment
Parc d'activités de Pariest,
Allée du 1er mai
Croissy Beaubourg BP46, 77312
Marne La Vallée Cedex 2
Tel.: 01 60 37 30 00
Fax: 01 60 37 30 86
<http://www.honda.fr>
✉ espace-client@honda-eu.com

GERMANY

**Honda Deutschland
Niederlassung der Honda Motor
Europe Ltd.**
Hanauer Landstraße 222-224
D-60314 Frankfurt
Tel.: 01805 20 20 90
Fax: +49 (0)69 83 20 20
<http://www.honda.de>
✉ info@post.honda.de

GREECE

Technellas S.A.
92 Athinon Ave
10442 Athens, Greece
Tel: +30 210 519 31 10
Fax: +30 210 519 31 14
✉ mail@technellas.gr

HUNGARY

MP Motor Co., Ltd.
Kamaraerdei ut 3.
2040 Budaors
Tel.: +36 23 444 971
Fax: +36 23 444 972
<http://www.hondakisgepek.hu>
✉ info@hondakisgepek.hu

IRELAND

Two Wheels Ltd
M50 Business Park, Ballymount
Dublin 12
Tel.: +353 1 4381900
Fax: +353 1 4607851
<http://www.hondaireland.ie>
✉ sales@hondaireland.ie

ISRAEL

**Mayer's Cars and Trucks Co.Ltd. -
Honda Division**
Shevach 5, Tel Aviv, 6777936
Israel
+972-3-6953162
✉ OrenBe@mct.co.il

ITALY

Honda Motore Europe Ltd
Via della Cecchignola, 13
00143 Roma
Tel.: +848 846 632
Fax: +39 065 4928 400
<http://www.hondaitalia.com>
✉ info.power@honda-eu.com

MACEDONIA

AS Domžale Moto center d.o.o.
Brezence
SI-8216 Mirna Peč
Tel.: +386 1 562 37 00
<http://www.honda-as.com>
✉ info@honda-as.com

MALTA

**The Associated Motors
Company Ltd.**
New Street in San Gwakklin Road
Mriehel Bypass, Mriehel QRM17
Tel.: +356 21 498 561
Fax: +356 21 480 150
✉ mgalea@gasanzammit.com

NORWAY

Berema AS
P.O. Box 454 1401 Ski
Tel.: +47 64 86 05 00
Fax: +47 64 86 05 49
<http://www.berema.no>
✉ berema@berema.no

POLAND

Aries Power Equipment
Pulawska 467
02-844 Warszawa
Tel.: +48 (22) 861 43 01
Fax: +48 (22) 861 43 02
<http://www.ariespower.pl>
<http://www.mojahonda.pl>
✉ info@ariespower.pl

PORTUGAL

**GROW Productos de Forca
Portugal**
Rua Fontes Pereira de Melo, 16
Abrunheira, 2714-506 Sintra
Tel.: +351 211 303 000
Fax: +351 211 303 003
<http://www.grow.com.pt>
✉ geral@grow.com.pt

ROMANIA

Agrisorg SRL
Sacadat Str Principala
Nr 44/A Jud. Bihor
Romania
Tel.: (+4) 0259 458 336
✉ info@agrisorg.com

SERBIA & MONTENEGRO

AS Domžale Moto center d.o.o.
Brezence
SI-8216 Mirna Peč
Tel.: +386 1 562 37 00
<http://www.honda-as.com>
✉ info@honda-as.com

SLOVAK REPUBLIC

Honda Motor Europe Ltd
Slovensko, organizačná zložka
Prievozská 6 821 09 Bratislava
Tel.: +421 2 32131111
Fax: +421 2 32131112
<http://www.honda.sk>

SLOVENIA

AS Domžale Moto Center d.o.o.
Brezence
SI-8216 Mirna Peč
Tel.: +386 1 562 37 00
<http://www.honda-as.com>
✉ info@honda-as.com

SPAIN & all Provinces

Greens Power Products, S.L.
Poligono Industrial Congost -
Av Ramon Ciurans n°2
08530 La Garriga - Barcelona
Tel.: +34 93 860 50 25
Fax: +34 93 871 81 80
<http://www.hondaencasa.com>

SWEDEN

**Honda Motor Europe Ltd filial
Sverige**
Box 31002 - Långhusgatan 4
215 86 Malmö
Tel.: +46 (0)40 600 23 00
Fax: +46 (0)40 600 23 19
<http://www.honda.se>
✉ hpesinfo@honda-eu.com

SWITZERLAND

**Honda Motor Europe Ltd.
Succursale de Satigny/Genève**
Rue de la Bergère 5
1242 Satigny
Tel.: +41 (0)22 989 05 00
Fax: +41 (0)22 989 06 60
<http://www.honda.ch>

TURKEY

**Anadolu Motor Uretim Ve
Pazarlama As**
Sekerpinar Mah
Albayrak Sok No 4
Cayirova 41420
Kocaeli
Tel.: +90 262 999 23 00
Fax: +90 262 658 94 17
<http://www.anadolumotor.com.tr>
✉ antor@antor.com.tr

UKRAINE

Dnipro Motor LLC
3, Bondarsky Alley,
Kyiv, 04073, Ukraine
Tel.: +380 44 537 25 76
Fax: +380 44 501 54 27
✉ igor.lobunets@honda.ua

UNITED KINGDOM

Honda Motor Europe Ltd
Cain Road
Bracknell
Berkshire
RG12 1HL
Tel.: +44 (0)845 200 8000
<http://www.honda.co.uk>

EC Declaration of Conformity

1. The undersigned, *2, representing the manufacturer, herewith declares that the machinery described below fulfils all the relevant provisions of:

- Directive 2006/42/EC on machinery
- Directive 2014/30/EU on electromagnetic compatibility
- Directive 2000/14/EC – 2005/88/EC on outdoor noise
- Directive 2011/65/EU - (EU) 2015/863 on the restriction of the use of certain hazardous substances in electrical and electronic equipment

2. Description of the machinery

- a) Product: Battery powered lawnmower
 b) Function: Cutting of grass

c) Model	d) Type	e) Serial number
*1	*1	

3. Manufacturer and able to compile the technical documentation

Honda France Manufacturing S.A.S.
 Pôle 45 - Rue des Châtagniers
 45140 ORMES - FRANCE

4. Reference to applied standards

EN 60335-2-77:2010	EN 55014-1-2:2006/A1:2009/A2:2011	EN 55014-1:2017
EN 55014-2:1997/A1:2001/A2:2008	EN 55014-2:2015	

5. Outdoor noise Directive

- a) Measured sound power dB(A): *1
 b) Guaranteed sound power dB(A): *1
 c) Noise parameter (L_n, min-1): *1
 d) Conformity assessment procedure: *2
 e) Notified body: *2

6. Done at: ORMES – FRANCE

7. Date: *2

*2 _____

President

Honda France Manufacturing S.A.S.

Français (French)

Déclaration CE de conformité
 1. Le soussigné, *2, représentant du constructeur, déclare que la machine décrite ci-dessous répond à toutes les dispositions applicables de :

- Directive 2006/42/CE
- Directive 2014/30/UE en lien avec la compatibilité électromagnétique
- Directive 2000/14/CE – 2005/88/CE des émissions sonores dans l'environnement des matériels destinés à être utilisés à l'extérieur des bâtiments
- Directive 2011/65/UE - (UE) 2015/863 relative à la limitation de l'utilisation de certaines substances dangereuses dans les équipements électriques et électroniques

2. Description de la machine
 a) Produit: Tondeuse à gazon à batterie
 b) Fonction: couper de l'herbe (tondeur)
 c) Modèle d) Type e) Numéro de série

3. Constructeur et en charge des éditions de documentation techniques

4. Référence aux normes appliquées

5. Directive des émissions sonores dans l'environnement des matériels destinés à être utilisés à l'extérieur des bâtiments

a) Puissance acoustique mesurée
 b) Puissance acoustique garantie
 c) Paramètre du bruit
 d) Procédure d'évaluation de conformité
 e) Organisme notifié
 7. Date

Nederlands (Dutch)

EG-vertikaling van overeenstemming
 1. Ondergetekende, *2, vertegenwoordiger van de constructeur, verklaart hiermee dat het hieronder beschreven machine voldoet aan alle toepasselijke bepalingen van:

- Richtlijn 2006/42/EG betreffende machines
- Richtlijn 2014/30/UE betreffende elektromagnetische compatibiliteit
- Richtlijn 2000/14/EG - 2005/88/EG betreffende geluidsemissie (openlucht)
- Richtlijn 2011/65/EU - (EU) 2015/863 betreffende beperking van het gebruik van bepaalde gevaarlijke stoffen in elektrische en elektronische apparatuur

2. Beschrijving van de machine
 a) Product: Accu grasmaaier
 b) Functie: gras maaien
 c) Model d) Type e) Serienummer

3. Fabrikant en in staat om de technische documentatie samen te stellen

4. Referentie voor toegepaste normen

5. Geluidsemissierichtlijn (openlucht)

a) Gemeten geluidsvermogensniveau
 b) Gewaarborgd geluidsvermogensniveau
 c) Geluidsparameter
 d) Conformiteitsbeoordelingsprocedure
 e) Aangemelde instantie
 7. Datum

Svenska (Swedish)

EG-försäkran om överensstämmelse
 1. Undertecknad, *2, representerar för tillverkaren, deklarerar härmed att maskinen beskriven nedan fullgör alla relevanta bestämmelser enligt:

- Direktiv 2006/42/EG gällande maskiner
- Direktiv 2014/30/EU på elektromagnetisk kompatibilitet
- Direktiv 2000/14/EG – 2005/88/EG gällande buller i omgivning
- Direktiv 2011/65/EU - (EU) 2015/863 om begränsning av användning av vissa farliga ämnen i elektrisk och elektronisk utrustning

2. Maskinbeskrivning
 a) Produkt: Batteridrivnen gräsklippare
 b) Funktion: gräsklippning
 c) Modell d) Typ e) Serienummer

3. Tillverkare och ska kunna sammanställa teknisk dokumentation.

4. Referens för tillämpad standard

5. Direktiv för buller utomhus

a) Uppmätt ljudnivå
 b) Garanterad ljudnivå
 c) Buller parameter
 d) Förfarande för bedömning
 e) Anmälda organ
 7. Datum

Italiano (Italian)

Dichiarazione CE di conformità
 1. Il sottoscritto, *2, in rappresentanza del costruttore, dichiara che il seguito che la macchina sotto descritta soddisfa tutte le disposizioni pertinenti delle:

- Direttiva 2006/42/CE
- Direttiva 2014/30/UE sulla compatibilità elettromagnetica
- Direttiva sulla emissione acustica delle macchine e attrezzature destinate a funzionare all'aperto
- Direttiva 2011/65/UE - (UE) 2015/863 sulla restrizione dell'uso di determinate sostanze pericolose nelle apparecchiature elettriche ed elettroniche

2. Descrizione della macchina
 a) Prodotto: Rasatura a batteria
 b) Funzione: Taglio di erba
 c) Modello d) Tipo e) Numero di serie

3. Costruttore e competente per la compilazione della documentazione tecnica

4. Riferimento alle norme applicate

5. Direttiva sulle emissioni acustiche delle macchine e attrezzature destinate a funzionare all'aperto

a) Livello di potenza sonora garantito
 b) Livello di potenza sonora garantito
 c) Parametri emissione acustica
 d) Procedura di valutazione della conformità
 e) Organismo notificato
 7. Data

Dansk (Danish)

EU OVERENSSTEMMELSEERKLÆRING
 1. UNDERTEGNEDE, *2, SOM REPRÆSENTANTERER PRODUCENTEN, ERKLÆRER HERMED AT MASKINEN, SOM ER BESKRIVET I NEDENFØLGENDE PUNKTER, UDFØRER ALLE RELEVANTE BESTEMMELSER I:

- MASKINERUDIREKTIV 2006/42/EF
- DIREKTIV 2014/30/EU OM ELEKTROMAGNETISK KOMPATIBILITET
- DIREKTIV OM STØJEMMISSION 2000/14/EF – 2005/88/EF
- direktiv 2011/65/EU - (EU) 2015/863 om begrænsning af anvendelsen af visse farlige stoffer i elektrisk og elektronisk udstyr

2. BESKRIVELSE AF PRODUKTET
 A) PRODUKT : Batteridrevnen plæneklipper
 B) ANVENDELSE : GRÆSKLIPNING
 C) MODEL D) TYPE E) SERIENUMMER

3. PRODUCENT OG I STAND TIL AT UDBARBEJDE DEN TEKNISKE DOKUMENTATION

4. HENVISNING TIL ANVENDTE STANDARDER

5. DIREKTIV OM STØJEMMISSION FRA MASKINER

TIL UDENDØRS BRUG

A) MÅLT LYDEFFEKTIVEAU
 B) GARANTERET LYDEFFEKTIVEAU
 C) STØJPARAMETER
 D) PROCEDURE FOR
 E) BEMYNDIGET ORGAN
 7. DATO

Español (Spanish)

Declaración de Conformidad CE
 1. El firmante, *2, en representación del fabricante, adjunto declara que la máquina abajo descrita, cumple las cláusulas relevantes de:

- Directiva 2006/42/CE de maquinaria
- Directiva 2014/30/UE sobre compatibilidad electromagnética
- Directiva 2000/14/CE – 2005/88/CE de ruido exterior
- Directiva 2011/65/UE - (UE) 2015/863 sobre restricción a la utilización de determinadas sustancias peligrosas en aparatos eléctricos y electrónicos

2. Descripción de la máquina
 a) Producto: Cortacésped de batería
 b) Función: Cortar el césped
 c) Modelo d) Tipo e) Número de serie

3. Fabricante que puede compilar el expediente técnico

4. Referencia a normas aplicadas

5. Directiva sobre ruido exterior

a) Potencia sonora medida
 b) Potencia sonora Garantizada
 c) Parámetros ruido
 d) Procedimiento evaluación conformidad
 e) Organismo notificado
 7. Fecha

Deutsch (German)

EG-Konformitätserklärung
 1. Der Unterzeichner, *2 der den Hersteller vertritt, erklärt hiermit dass das hierunter genannte Maschine allen einschlägigen Bestimmungen der * entspricht.

- Maschinrichtlinie 2006/42/EG
- Richtlinie 2014/30/EU über die elektromagnetische Verträglichkeit
- Geräuschrichtlinie im Freien 2000/14/EG – 2005/88/EG
- Richtlinie 2011/65/EU - (EU) 2015/863 zur Beschränkung der Verwendung bestimmter gefährlicher Stoffe in Elektro- und Elektronikgeräten

2. Beschreibung der Maschine
 a) Produkt: Akku Rasenmäher
 b) Funktion : Gras schneiden
 c) Modell d) Typ e) Seriennummer

3. Hersteller und in der Position, die technische Dokumentation zu erstellen

4. Verweis auf anwendbare Standards

5. Geräuschrichtlinie im Freien

a) Gemessene Lautstärke
 b) Garantierte Lautstärke
 c) Schalldruckpegel
 d) Konformitätsbewertungsablauf
 e) Benannte Stelle
 7. Datum

Ελληνική (Greek)

ΕΚ-Δήλωση συμμόρφωσης
 1. Ο κάτωθι υπογεγραμμένος, *2, εκπροσωπώντας τον κατασκευαστή, δηλώνει ότι το παρακάτω περιγραφόμενο όχημα πληροί όλες τις σχετικές προδιαγραφές του:

- Οδηγία 2006/42/ΕΚ για μηχανές
- Οδηγία 2014/30/ΕΕ σχετικά με την ηλεκτρομαγνητική συμβατότητα
- Οδηγία 2000/14/ΕΚ – 2005/88/ΕΚ για το επίπεδο θορύβου των εξωτερικών χώρων
- Οδηγία 2011/65/ΕΕ - (ΕΕ) 2015/863 για τον περιορισμό της χρήσης ορισμένων επικίνδυνων ουσιών σε ηλεκτρονικά και ηλεκτρονικά εξοπλισμού

2. Περιγραφή μηχανήματος
 a) προϊόν: Μηχανή κοψών γρασίδιού
 b) Λειτουργία : για κόψιμο γρασίδιού
 c) Μοντέλο d) Τύπος e) Αριθμός σειράς παραγωγής

3. Κατασκευαστής και να είναι σε θέση να καταρτίσει τον τεχνικό φάκελο

4. Παραπομπή στα ισχύοντα πρότυπα

5. Οδηγία επίθετου θορύβου εξωτερικών χώρων

a) Μετρηθείσα ηχητική ένταση
 b) Εγγυημένη ηχητική ένταση
 c) Ηχητική παράμετρος
 d) Διαδικασία πιστοποίησης
 e) Οργανισμός πιστοποίησης
 7. Ημερομηνία

Română (Romanian)

CE-Declaratie de Conformitate
 1. Subsemnatul *2, reprezentand producatorul, declar prin prezenta faptil ca echipamentul descris mai jos indeplineste toate conditiile necesare din:

- Directiva 2006/42/CE privind echipamentul electromagnetical
- Directiva 2014/30/UE privind compatibilitatea electromagnetica
- Directiva 2000/14/CE – 2005/88/CE privind poluarea fonica in spatiu inchis
- Directiva 2011/65/UE - (UE) 2015/863 privind restrictia la utilizarea anumitor substante periculoase in echipamentele electrice si electronice

2. Descrierea echipamentului
 a) Produsul: Masina de tuns gazon cu acumulator
 b) Domeniu de utilizare : tundearea ierbit
 c) Model d) Tip e) Serie produs

3. Producator si abilitat sa realizeze documentatiile tehnice

4. Referinta la standardele aplicate

5. Directiva privind poluarea fonica in spatiu inchis

a) Putere acustica masurata
 b) Putere acustica maxim garantata
 c) Indice poluarea fonica
 d) Procedura de evaluare a conformitatii
 e) Notificari
 7. Data

<p>Portugues (Portuguese) Declaração CE de Conformidade</p> <p>1. O abaco assinado, "2. representante do fabricante, declara que a máquina abaco descrita cumpre todas as especificações relevantes da: * Diretiva 2006/42/CE de máquina electromagnética * Directiva 2014/30/UE relativa à compatibilidade electromagnética * Directiva 2000/14/CE – 2005/88/CE de ruído exterior * Directiva 2011/65/UE - (UE) 2015/863 relativa à restrição do uso de determinadas substâncias perigosas em equipamentos eléctricos e electrónicos</p> <p>2. Descrição da máquina</p> <p>a) Produto: Cora-reiva a bateria b) Modelo d) Tip e) Número de série 3. Fabricante com capacidade para compilar e imprimir a declaração 4. Referência técnica das aplicações 5. Referência de tipo exterior a) Potência sonora medida b) Potência sonora garantida c) Parametro de ruído d) Procedimento de avaliação de conformidade e) Organismo notificado 6. Feito em 7. Data</p>	<p>Polski (Polish) Declaracja zgodności WE</p> <p>1. Niziej podpisany, "2. reprezentujący producenta, niniejszym deklaruje, że urządzenie opisane poniżej spełnia wszelkie postanowienia: * Dyrektywa maszynowej 2006/42/WE * Dyrektywa 2014/30/UE Kompatybilności Elektromagnetycznej * Dyrektywa Hałasowa 2000/14/WE – 2005/88/WE ograniczenia stosowania niektórych niebezpiecznych substancji w sprzęcie elektrycznym i elektronicznym</p> <p>2. Opis urządzenia: a) Produkt: Koszarka akumulatorowa b) Funkcja: ścięcie trawy c) Model(d) Typ e) Numer seryjny 3. Producent oraz osoba odpowiedzialna za przygotowanie dokumentacji technicznej 4. Referencja techniczna do norm 5. Dyrektywa Hałasowa a) Gwarantowany poziom mocy akustycznej b) Gwarantowany poziom mocy akustycznej c) Wartość hałasu d) Procedura oceny zgodności e) Jednostka notyfikowana 6. Miejsce 7. Data</p>	<p>Suomi / Suomen kieli (Finnish) EY-VAAKUTUSTUNNUKAUSVAKUUTUS</p> <p>1. Allekirjoittanut valmistaja edustaa "2. vakuttaja teuraa, että alla mainittu kone/luote täyttää kaikki seuraava määräykset: * Konedirektiivi 2006/42/EY * Mekaanisuus direktiiva 2006/42/EB * Direktiiva 2014/30/UE sähkömagneettinen yhteensopivuuks * Trukkimö lauke direktiiva 2000/14/EB – 2005/88/EB * direktiiva 2011/65/ES - (ES) 2015/863 tiettyjen vaarallisten aineiden käyttöön rajoittamisesta sähkö- ja elektronikalaitteissa</p> <p>2. TUOTTEEN KUVAUS a) Tuote: Akkuakukivonin ruohonleikkuri b) Toiminto: ruohon leikkatus c) Malli(d) Tyyp(e) SARJANUMERO 3. Valmistaja ja teknisten dokumenttien laaila 4. Viittaus sovellettuihin standardeihin 5. Ympäristösuojeludirektiivi a) Tehonmittaus b) Tehonmittaus melutaso c) Malli parametrit d) Yhteensopivuuksien arvioinnin menetelmä e) Tiedontalointi 7. PAIVÄMÄÄRÄ 6. TEHTY</p>	<p>Lietuvių kalba (Lithuanian) EB atitikties deklaracija</p> <p>1. Žemiau pasirašęs, "2. atstovaujantis gamintoja, deklaruju, kad žemiau aprašyta mašina atitinka visus išvardintų direktyvų nuostatas: * Mėchanizmo direktyva 2006/42/EB * Direktiiva 2014/30/ES dėl elektromagnetinio suderinamumo * Trukšimo lauke direktyva 2000/14/EB – 2005/88/EB * direktiiva 2011/65/ES - (ES) 2015/863 dėl tam tikrų pavojingų medžiagų naudojimo elektros ir elektroninėje įrangoje arbojimo</p> <p>2. Prietaiso aprašymas a) Gaminyas: Akumuliatorinė vejaplovis b) Funkcija: žolės plovimas c) Modelis(d) Tipas(e) Serijos numeris 3. Gamintojas ir gaminis sudaryti techninė dokumentacija 4. Nuoroda į taikytus standartus a) Ištarnautas garso galtingumo lygis b) Ištarnautas garso galtingumo lygis c) Tiesinio parametro d) Tiesinio parametro e) Reagiuote įstaiga 7. Data 6. Vieta</p>	<p>Български (Bulgarian) EO декларация за съответствие</p> <p>1. Долоуподписател се "2. представялащ производител, а с настоящо декларация, че машината, описана по-долу, отговарят на всички съответни разпоредби на: * Директива2006/42/ЕО относно машините * Директива 2014/30/ЕС за Електромагнитна съвместимост * Директива 2000/14/ЕО – 2005/88/ЕО относно шумовите емисии на съоръжения, предназначени за употреба извън сградите * Директива 2011/65/ЕС - (ЕС) 2015/863 година относно ограничението за употреба на определени опасни вещества в електрическото и електронното оборудване a) Продукт: Косачка задвижана с акумулатор b) Функция: косене на трева c) Модел(д) Тип(е) Сериен номер 3. Производител и отговорник за съставяне на техническа документация 4. Припратка към приложимите стандарти 5. Директива относно шумовите емисии на съоръжения, предназначени за употреба извън сградите a) Измерена звукова мощност b) Гарантирана звукова мощност c) Параметърът шум d) Производителят за откъна на съответствието e) Нотифициран орган 6. Место на изготвяне 7. Дата на изготвяне</p>	<p>Norsk (Norwegian) EF- Samsvarserklæring</p> <p>1. Underskrevet, "2. representerer produsenten og herved erklærer at maskinen beskrevet nedenfor innfrir relevant informasjon fra følgende forskrifter: * Maskindirektiv 2006/42/EF * Direktiv 2014/30/EU om elektromagnetisk kompatibilitet * Direktiv om støy utendørs 2000/14/EF – 2005/88/EF * Direktiv 2011/65/EU - (EU) 2015/863 om restriksjoner av bruk av visse farlige stoffer i elektrisk og elektronisk utstyr. 2. Beskrivelse av produkt a) Produkt: Batteridrevet gressklipper b) Funksjon: Klippe gress c) Model(d) Type(e) Serienummer 3. Produsent og i stand til å utarbeide den tekniske dokumentasjonen 4. Henvisning til brukte standarder 5. Utendørs direktiv for støy a) Malt støy b) Måkt støy c) Konsistent støy d) Ytterligere vurderings prosedyre e) Gjeldende miljøforstyrrelsesmål 6. Sted 7. Dato</p>	<p>Magyar (Hungarian) EK-megfelelőségi nyilatkozata</p> <p>1. Alulírott, "2. mint a gyártó képviselője nyilatkozom, hogy az általam gyártott gép megfelel az összes, alább felsorolt direktívának: * 2006/42/EC Direktívának berendezésekre * Irányelv 2014/30/EU megfelelés az elektromágneses kompatibilitásról * 2000/14/EC – 2005/88/EC Direktívának kültéri zajszintre * Tanács 2011/65/EU - (EU) 2015/863 egyes veszélyes anyagok elektromos és elektronikus berendezésekben való alkalmazásának korlátozásáról 2. A gép leírása a) Termék: Akkumulátoros fűnyíró b) Funkció: fű levetés c) Model(d) Typ(e) Sorozatszám 3. Gyártó és teljes összehajlítás a műszaki leírás alapján 4. Felhívás az alkalmazott szabványokhoz 5. Kültéri zajszint Direktíva a) Műrt hangerő b) Szavatolt hangerő c) Zajszint paraméter d) Megfelelőségi becsülési eljárás e) Kijelölt szervezet 6. Kellezés helye 7. Kellezés ideje</p>	<p>Cestina (Czech) ES - Prohlášení o shodě</p> <p>1. Zásupce výrobce, "2. svým podpisem potvrzuje, že stroj popsaný níže splňuje požadavky příslušných opatření: * Směrnice 2006/42/ES pro stroji zařízení * Směrnice 2014/30/EU týkající se elektromagnetické kompatibility * Směrnice 2000/14/ES – 2005/88/ES stanovující technické požadavky na výrobky z hlediška emisí hluku zařízení pro venkovní použití * Rády 2011/65/EU - (EU) 2015/863 o omezení používání některých nebezpečných látek v elektrických a elektronických zařízeních 2. Popis zařízení a) Produkt: Akumulatorová sekačka na trávu b) Funkce: Sekání trávy c) Model(d) Typ e) Výrobní číslo 3. Výrobce a osoba pověřená komplectací technické dokumentace 4. Odkaz na příslušné standardy 5. Omezení hluku pro venkovní použití a) Naměřený akustický výkon b) Garantovaný akustický výkon c) Parametr hluku d) Zpusob posouzení shody e) Notifikovaná osoba 6. Podepsáno v 7. Datum</p>	<p>Latviešu (Latvian) EK atbilstības deklarācija</p> <p>1. Zemāk minētais, "2. kā ražotāja pārstāvis ar šo apstiprina, ka zemāk aprakstītie mašīna, atbilst visām zemāk norādīto direktīvu sadalām: * Direktiiva 2006/42/ES par mašīnām * Mašīna Eimneti Yonetmeligi 2006/42/AT * Elektromagnētisk uytumultukta ligli 2014/30/AB no * Açı Alanda Kullananlari Tehizat Tarafından Olusturulan Çevredeki Gürültü Emissionu ile İlgili Yonetmelik 2000/14/AT – 2005/88/AT * 2011/65/AB - (AB) 2015/863 elektrikli ve elektronik ekipmanlarda bazı tehlikeli maddelerin kullanımının yasaklanmasına ilişkin yönetmelik 2. Makinanın tanri a) Ürün: Çim biçme makinası b) İşlevi: Çimlerin kesilmesi c) Model(d) Tipi(e) Seri numarasi 3. Teknik dosyayı hazırlamakta yetkili olan Topluukta yerleşik imalatçı 4. Uygunlan standartlara istinaden a) Ölçülen ses gücü b) Garantii edilen ses gücü c) Gürültü parametresi d) Uygunluk degenlendirmes prosedürü e) Meydanimiz Kuruluş 7. Beyanım tarihi : 6. Beyanım yeri : 7. Beyanım tarihi :</p>	<p>Türk (Turkish) AT Uygunluk Beyanı</p> <p>1. Aşağıda imzası bulunan "2. üreticinin adına, bu yazılıma birlikte aşağıdaki makine ile ilgili tüm hükümlülüklerin yerine getirildiğini beyan etmekteidir: * Makina Eimneti Yonetmeligi 2006/42/AT * Elektromagnētisk uytumultukta ligli 2014/30/AB no * Açı Alanda Kullananlari Tehizat Tarafından Olusturulan Çevredeki Gürültü Emissionu ile İlgili Yonetmelik 2000/14/AT – 2005/88/AT * 2011/65/AB - (AB) 2015/863 elektrikli ve elektronik ekipmanlarda bazı tehlikeli maddelerin kullanımının yasaklanmasına ilişkin yönetmelik 2. Makinanın tanri a) Ürün: Çim biçme makinası b) İşlevi: Çimlerin kesilmesi c) Model(d) Tipi(e) Seri numarasi 3. Teknik dosyayı hazırlamakta yetkili olan Topluukta yerleşik imalatçı 4. Uygunlan standartlara istinaden a) Ölçülen ses gücü b) Garantii edilen ses gücü c) Gürültü parametresi d) Uygunluk degenlendirmes prosedürü e) Meydanimiz Kuruluş 7. Beyanım tarihi : 6. Beyanım yeri : 7. Beyanım tarihi :</p>	<p>Islenska(Icelandic) EP-Samsvarisvfrifning</p> <p>1. Undirritaður, Mr "2. fyrir hönd framleiðandans lýsir hér með því að vélin sem lýst er hér að neðan samsamræmist öllum gjaldandi ákvæðum tilskipunar: * Leiðbeiningar fyrir vélbúnað 2006/42/EB * TILSKIPUN 2014/30/UE VARDANDI SAMHAFNI * RAFSEJULSVIDS * Leiðbeiningar um hávaðamegningu 2000/14/EB – 2005/88/EB * Tilskipun 2011/65/UE - (EU) 2015/863 varðandi leiðbeiningar um notkun á hættulegum efnum í raf og rafeldna vélbúnaði 2. Lýsing á vélbúnaði a) Ökutækni: Rafdrifinn slátuvél b) Virkni: Gras sleigi c) Gerð(d) Tegund(e) Serial númer 3. Framleiðandi og fær um að taka saman tekniskýplín 4. Tívisun til viðeigandi stöðla 5. Leiðbeiningar um hávaðamegningu a) Mældur hávaða styrkur b) Stærðesur hávaða styrkur c) Hávaða breytileiki d) Stærðesing á gæðastöðlum e) Meringar 6. U 7. Datum</p>	<p>Български (Bulgarian) EO декларация за съответствие</p> <p>1. Долоуподписател се "2. представялащ производител, а с настоящо декларация, че машината, описана по-долу, отговарят на всички съответни разпоредби на: * Директива2006/42/ЕО относно машините * Директива 2014/30/ЕС за Електромагнитна съвместимост * Директива 2000/14/ЕО – 2005/88/ЕО относно шумовите емисии на съоръжения, предназначени за употреба извън сградите * Директива 2011/65/ЕС - (ЕС) 2015/863 година относно ограничението за употреба на определени опасни вещества в електрическото и електронното оборудване a) Продукт: Косачка задвижана с акумулатор b) Функция: косене на трева c) Модел(д) Тип(е) Сериен номер 3. Производител и отговорник за съставяне на техническа документация 4. Припратка към приложимите стандарти 5. Директива относно шумовите емисии на съоръжения, предназначени за употреба извън сградите a) Измерена звукова мощност b) Гарантирана звукова мощност c) Параметърът шум d) Производителят за откъна на съответствието e) Нотифициран орган 6. Место на изготвяне 7. Дата на изготвяне</p>	<p>Словенčina (Slovak) ES vyhlásenie o zhode</p> <p>1. Doloupodpisani, "2. ki predstavljam proizvajalca, izjavljam da spodaj opisana stroj ustrezata vsem navedenim direktivam: * Direktiva 2006/42/ES o strojih * Elektromagnetične uhitduvase direktivi 2014/30/EL združljivosti * Direktiva 2000/14/ES – 2005/88/ES o hrupnosti * Direktiva 2011/65/EL - (EU) 2015/863 o hrupnosti omejevanju uporabe nekaterih nevarnih snovi v električnih in elektronski opremi 2. Opis naprave a) Proizvod: Baterijska kosilnica b) Funkcija: košenje trave c) Model(d) Tip e) Serijska številka 3. Proizvajalec ki lahko predloži tehnično dokumentacijo 4. Vitde kolnaldat standarditeale 5. Valsiturna direktiv a) Toode: Akutoletti murunituduk b) Funktsioon: muru nitmine c) Model(d) Tüüp e) Seerianumber 3. Toojaja, kes on pädev lätima tehnilist dokumentatsiooni 4. Vitde kolnaldat standarditeale 5. Valsiturna direktiv a) Toode: Akumulatorová kosačka b) Funkcia: Kosenie trávy c) Model(d) Typ e) Výrobné číslo 3. Výrobca a schopný zostaviť technickú dokumentáciu 4. Referencia na použité normy 5. Smernica pre emisie hluku vo vonhom priestranstve a) Naměřená hládná akustického výkonu b) Zaručená hládná akustického výkonu c) Parametr hluku d) Procúra posudzovania zhody e) Notifikovaná osoba 6. Miesto 7. Datum</p>	<p>Slovensčina (Slovak) ES vyhlásenie o zhode</p> <p>1. Doloupodpisani, "2. zastupujúci výrobu týmto vyhlasuje, že uvedeny stroje je v zhode s nasledovnými smernicami: * Smernica 2006/42/ES (Strojné zariadenia) * Smernica 2014/30/UE na elektromagnetickú kompatibilitu * Smernica 2000/14/ES – 2005/88/ES (Emisie hluku) * Rády 2011/65/EL - (EU) 2015/863 o obmedzení používania určitých nebezpečných látek v elektrických a elektronických zariadeniach 2. Popis stroja a) Produkt: Akumulatorová kosačka b) Funkcia: Kosenie trávy c) Model(d) Typ e) Výrobné číslo 3. Výrobca a schopný zostaviť technickú dokumentáciu 4. Referencia na použité normy 5. Smernica pre emisie hluku vo vonhom priestranstve a) Naměřená hládná akustického výkonu b) Zaručená hládná akustického výkonu c) Parametr hluku d) Procúra posudzovania zhody e) Notifikovaná osoba 6. Miesto 7. Datum</p>
--	--	---	---	--	--	--	---	---	--	--	--	---	---

HONDA