

FOREWORD

You have just purchased a Honda pedestrian-controlled lawnmower and we thank you for your confidence in us.

This manual has been written to familiarize you with your lawnmower, to enable you to use it in the best possible conditions and to carry out its maintenance.

Our aim is to make you benefit to the full from technological advances, from new equipment and materials and from our experience. This is why we regularly make improvements to our models. Thus, the specifications and information contained in this manual may be modified without prior notice and without obligation to update it.

If you have a problem, or if you have any questions concerning the lawnmower, contact your supplying dealer or authorized Honda dealer.

Keep this manual handy so you can refer it at any time. If you sell the lawnmower, be sure that the manual accompanies it.

We recommend that you read the guarantee policy to fully understand your rights and responsibilities. The guarantee policy is a separate document provided by your dealer.

No reproduction, even partial, may be made of this publication without prior written authorisation.

SAFETY INSTRUCTIONS

For your own safety and operating comfort, it is highly recommended that you read this manual in full.

Pay attention to these symbols and their meaning:

WARNING

Indicates a high risk of severe personal injury or death if instructions are not followed.

CAUTION:

- Indicates a possibility of personal injury or equipment damage if instructions are not followed.

NOTE: Source of useful information.

NOTICE

Your lawnmower, other property, or the environment can be damaged if you don't follow instructions.

The purpose of these messages is to help prevent damage to your lawnmower, other property, or the environment.

DESCRIPTION OF THE CODES USED IN THIS MANUAL

HRN536C	VKEA	VYEA
Self-propelled with variable speed transmission	•	•
Cutting-means brake	•	
Rotostop		•

FRAME AND ENGINE SERIAL NUMBER

Record the frame and engine serial numbers (page 3) in the space below. You will need these numbers when ordering parts and when making technical or warranty inquires.

Frame serial number: _____

Engine serial number: _____

Date of purchase: ____/____/____

Honda France Manufacturing S.A.S. - Pôle 45 - Rue des Châtaigniers
45140 ORMES - FRANCE - All rights reserved



OWNER'S MANUAL

(Original instructions)
HRN536C

Pedestrian-controlled lawnmower



Service & Support



<https://www.hondappsv.com/HME/>

CONTENTS

FOREWORD	1	MAINTENANCE	11
SAFETY INSTRUCTIONS	1	THE IMPORTANCE OF MAINTENANCE	11
DESCRIPTION OF THE CODES USED IN THIS MANUAL	1	MAINTENANCE SAFETY	11
FRAME AND ENGINE SERIAL NUMBER	1	AIR CLEANER MAINTENANCE	11
SAFETY INSTRUCTIONS	2	ENGINE OIL CHANGE	12
SAFETY STICKERS	3	CHECKING THE SPARK PLUG	12
IDENTIFICATION OF MACHINE	3	MAINTENANCE OF SPARK ARRESTER (OPTIONAL EQUIPMENT)	12
GENERAL DESCRIPTION	4	CUTTING MEANS REMOVAL AND INSTALLATION	13
PREPARATION AND CHECKS BEFORE USE	4	GRASS CATCHER CLEANING AND REPLACEMENT	14
UNPACKING	4	OPERATION CHECK OF THE CUTTING-MEANS CONTROL	14
ASSEMBLY OF THE HANDLE	4	MAINTENANCE SCHEDULE	14
CHECKING THR REAR SHIELD	4	TROUBLESHOOTING	15
CHECKING THE GRASS CATCHER	5	ENGINE WILL NOT START	15
CHECKING FUEL LEVEL	5	LOSS OF POWER	15
CHECKING THE AIR CLEANER	6	VIBRATION	15
CHECKING CUTTING MEANS CONDITION	6	MOWING AND CATCHING PROBLEMS	15
ADJUSTING CUTTING HEIGHT	6	STORAGE	15
CHECKING ENGINE OIL LEVEL	7	CLEANING	15
SELECTING THE CUTTING MODE	7	FUEL	16
STARTING AND STOPPING THE ENGINE	8	ENGINE OIL	16
MOWING PRECAUTIONS	8	ENGINE CYLINDER	16
FREQUENCY OF USE	8	PLACING IN STORAGE	16
STARTING THE ENGINE	8	REMOVING FROM STORAGE	16
STOPPING THE ENGINE	8	TRANSPORT	16
OPERATING HINTS AND TIPS	8	BEFORE LOADING	16
USING THE LAWNMOWER AT HIGH ALTITUDES	8	HADLEBAR FOLDING	16
SAFE MOWING PRACTICES	9	LOADING AND UNLOADING	17
OPERATING THE CONTROLS FOR MOWING	9	USEFUL INFORMATION	17
MOWING TIPS	10	FIND AN AUTHORIZED DEALER	17
		CURRENT PARTS, OPTIONAL ATTACHMENT AND CONSUMABLES	17
		TECHNICAL SPECIFICATIONS	17

ENGLISH

FRANÇAIS

DEUTSCH

NETHERLANDS

ITALIANO

SVENSKA

SLOVENČINA

SAFETY INSTRUCTIONS

For your own safety and operating comfort, it is highly recommended that you read this manual in full.

Pay attention to these symbols and their meaning:



Indicates a high risk of severe personal injury or death if instructions are not followed.

CAUTION:

- Indicates a possibility of personal injury or equipment damage if instructions are not followed.

NOTE: Source of useful information.



This sign means that you must take care during certain operations. Refer to the safety instructions on the following pages, to the point(s) indicated in the box.

TRAINING

- A1. Read the instructions carefully. Be familiar with the controls and the proper use before using the equipment. Know how to stop the engine rapidly.
- A2. Use the lawnmower for the purpose it is intended for, that is mowing and collecting grass. Any other use could be dangerous or damage the equipment.
- A3. Never allow children or people unfamiliar with these instructions to use the lawnmower. Local regulations may restrict the age of the operator.
- A4. Never mow when people, especially children or pets are nearby. Never use the machine in cases of fatigue or illness of the user, or after consumption of medications, drugs, alcohol or dangerous substances which might interfere with his ability regarding reflexes and concentration. Never operate the machine if there is a risk of adverse weather such as lightning or a storm, stop operation.
- A5. Keep in mind that the owner or user is responsible for accidents or hazards occurring to other people or their property.
- A6. Never attempt to modify the mower. It can cause an accident as well as damage to the mower. Tampering with the engine voids the EU type-approval of this engine.
 - Do not connect an extension to the muffler.
 - Do not modify the intake system.
 - Do not adjust the governor.
- A7. The machine is equipped with safety devices that must never be modified or removed, otherwise the warranty may be void and the manufacturer released from any liability. Always check that the safety devices work before using the machine.

PREPARATION

- B1. When using the machine, always wear safety shoes that are strong and non-slip and long trousers. Do not use the machine with bare feet or wearing open shoes. Avoid wearing chains, bracelets or baggy clothes with loose parts or with lacing or neck ties. Long hair must be tied back. Always wear an anti-noise helmet.
- B2. Thoroughly inspect the area where the equipment is to be used and remove all objects which may be thrown by the machine (stones, branches, wires, bones, etc...).
- B3. **WARNING** - Petrol is highly flammable.
 - Store fuel in containers specifically designed for this purpose.
 - Refuel outdoors only, before starting the engine and do not smoke while refuelling or handling fuel.
 - Never remove the cap of the fuel tank or add petrol while the engine is running or when the engine is hot.
 - If petrol is spilled, do not attempt to start the engine but move the machine away from the area of spillage and avoid creating any source of ignition until petrol vapours are dissipated.
 - Replace all fuel tanks and container caps securely.
 - Before tipping the lawnmower to maintain the cutting means or drain oil, remove fuel from tank.
- B4. Replace faulty silencers.
- B5. Before use, always visually inspect the machine, especially to see that the cutting means, cutting-means bolts and cutting-means assembly are not worn or damaged. Replace worn or damaged cutting means and cutting-means bolts in sets to preserve balance.

OPERATION


- C1. Do not operate the engine in a confined space where dangerous carbon monoxide fumes can collect.
- C2. Mow only in daylight or in good artificial light. Make sure to comply with legal regulations which may vary from one region to another.
- C3. If there is a risk of adverse weather such as lightning or a storm, stop operation.
- C4. Avoid operating the equipment in wet grass, where possible.
- C5. While mowing, always keep the safety distance to the cutting means, which is provided by the handle length.
- C6. Do not run. Do not let yourself be pulled by the lawnmower.
- C7. Always be sure of your footing on slopes. Mow across the face of slopes, never up and down.
- C8. Keep in mind that the operator or user is responsible for any accidents or unexpected events that may occur to other persons or their property. The user is responsible for checking on possible risks due to the ground to be worked on, and for taking all precautions necessary for ensuring his own safety and that of others, in particular on sloping ground, rough, slippery or unstable terrain, or near holes, ditches or banks.
- C9. Do not mow slopes of more than 20° (36%).
- C10. Use extreme caution when pulling the lawnmower towards you.
- C11. Stop the cutting means if the lawnmower has to be tilted for transportation when crossing surfaces other than grass, and when transporting the lawnmower to and from the area to be mowed.
- C12. Never operate the lawnmower with defective guards or cutting-means enclosures, or without safety devices such as discharge cover and/or grass catchers.
- C13. Do not change the engine governor settings or overspeed the engine.
- C14. Disengage all cutting-means control (models equipped with Rotostop) and drive clutch (self-propelled models) before starting the engine.
- C15. Start the engine carefully according to instructions and with feet well away from the cutting means.
- C16. Do not tilt the lawnmower when starting the engine. Start the lawnmower on a level surface, free of high grass or obstacle.
- C17. Keep hands and feet away from the rotating parts. Do not start the engine when standing in front of the discharge opening.
- C18. Never pick up or carry a lawnmower while the engine is running.
- C19. Stop the engine and disconnect the spark plug cap in the following cases:
 - Before any operation under the cutting-means enclosure or the discharge chute.
 - Before checking, cleaning or working on the lawnmower.
 - After striking a foreign object. Inspect the lawnmower for damage and make repairs before restarting and operating the lawnmower again.
 - If lawnmower starts to vibrate abnormally. Check immediately the cause of the vibration and perform the necessary repair.
- C20. Stop the engine in the following cases:
 - Whenever you leave the lawnmower unattended.
 - Before refuelling.
- C21. Stop the cutting means (models equipped with Rotostop) or the engine in the following cases:
 - When installing or removing the grass catcher.
 - Before adjusting the cutting height.
- C22. Reduce the throttle setting during engine shut-down. Close the fuel shut-off valve by turning the fuel shut-off valve.
- C23. Using any attachments other than those recommended in this manual may cause damage to your lawnmower, and such damage will not be covered by your guarantee.
- C24. **CAUTION**
The levels for noise and vibration indicated in this manual are the maximum values for using the machine. The use of an unbalanced cutting means, an excessive speed of movement and a lack of maintenance have a significant effect on sound emissions and vibration. It is therefore necessary to take preventive measures to eliminate all possible damage due to high noise levels, and stresses due to vibrations; please ensure that the machine is well maintained, wear an anti-noise helmet. Take breaks during the work.

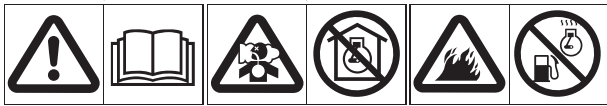
MAINTENANCE AND STORAGE

- D1. Keep all nuts, bolts and screws tight to be sure the equipment is in safe working condition. Regular maintenance is an essential aid to user's safety and retaining a high level of performance.
- D2. Never store the equipment with petrol in the tank inside a building when vapours may reach an open flame, spark or high temperature source.
- D3. Allow the engine to cool before storing in any enclosure.
- D4. To reduce the fire hazard, keep the lawnmower, especially the engine and silencer, the petrol storage area as well, free of grass, leaves, or excessive grease.
Do not leave containers of grass cuttings in or near a building.
- D5. If the fuel tank has to be drained, this should be done outdoors, with a cold engine.
- D6. Check the grass catcher frequently for wear or deterioration.
- D7. Do not use the machine with worn or damaged parts.
Parts must be replaced, not repaired. Replace worn or damaged parts with Honda genuine parts.
Cutting means must always bear the mark Honda and the reference number.
Non equivalent quality parts may damage the machine and be prejudicial to your safety.
- D8. Wear thick gloves when removing or installing the cutting means or when cleaning the cutting-means enclosure.
When tightening or loosening the cutting-means screws, use a wooden block to prevent the cutting means from rotating.
- D9. Always make sure the correct balance of the cutting means when sharpening.

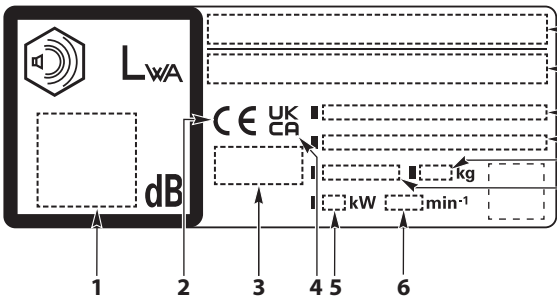
SAFETY STICKERS

This sticker warns you of potential hazards that can cause serious injury. Carefully read meaning. If sticker comes off or becomes hard to read, contact your servicing dealer for a replacement.

Letter	Meaning
A	 <ol style="list-style-type: none"> 1. Warning: Read the owner's manual before using the mower. 2. Risk of projections: Keep third persons away from the area during use. 3. Risk of cuts. Rotating cutting means: Do not put hands or feet inside the cutting-means enclosure. Disconnect the spark plug cap before performing any operation of maintenance or repairs. 4. Do not operate without either discharge guard or grass catcher in place.

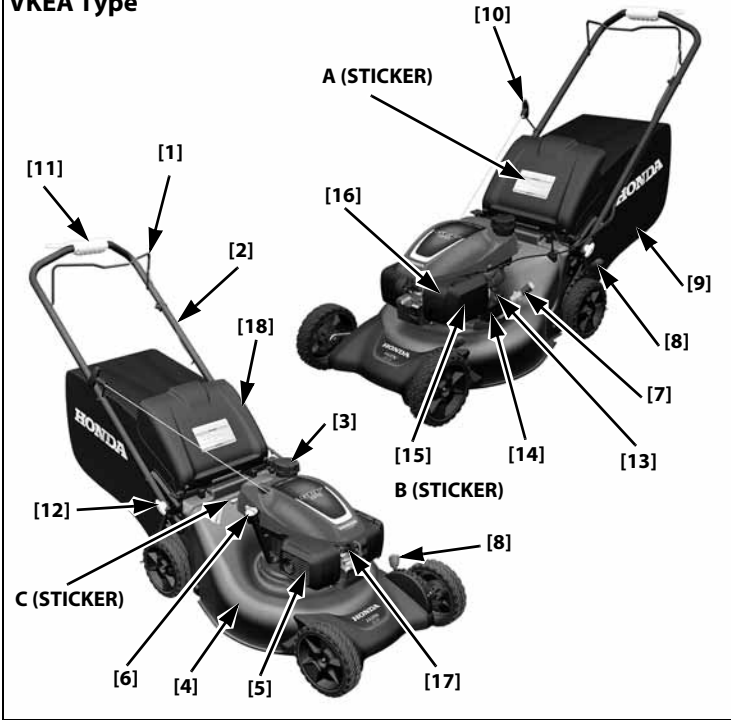
B	 <ol style="list-style-type: none"> 5. Warning: Read the owner's manual before using the mower. 6. The engine emits toxic carbon monoxide. Do not run in an enclosed area. 7. Petrol is highly flammable. Stop the engine before refueling.
---	--

IDENTIFICATION OF MACHINE

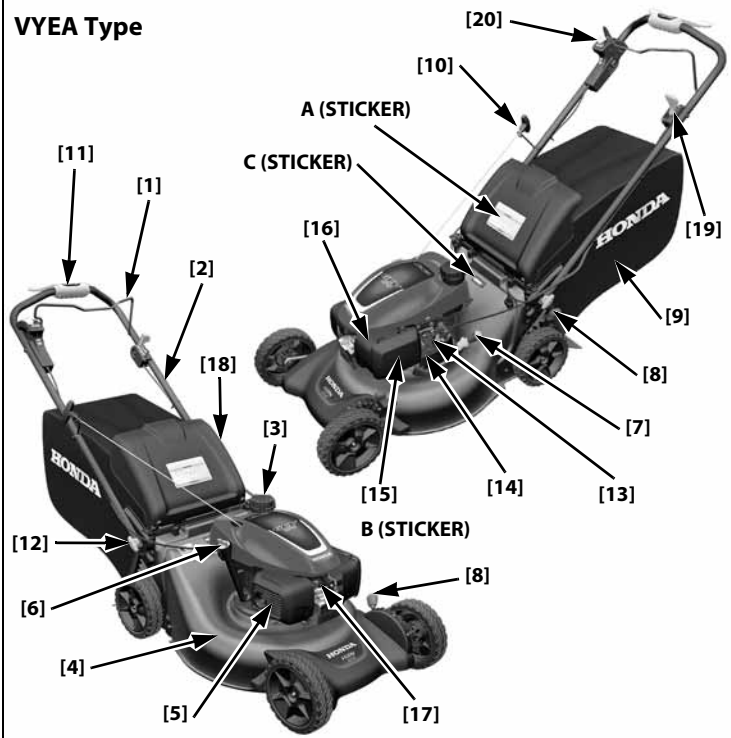
Letter	Meaning
C	 <ol style="list-style-type: none"> 1. Sound power level 2. CE marking 3. Optional conformity mark 4. UK conformity assessed mark (for United Kingdom) 5. Nominal power in kilowatts 6. Recommended engine speed in min⁻¹ 7. Month and year of manufacture 8. Mass in kilograms (with empty tanks) 9. Frame serial number (Type and serial number of Declaration of Conformity) 10. Model - Type 11. Authorized representative name and address 12. Name and address of the manufacturer

GENERAL DESCRIPTION

VKEA Type



VYEA Type



1	Cutting-means control lever (Starts and stops the cutting means)
2	Handlebar
3	Fuel tank cap
4	Cutting-means enclosure
5	Muffler
6	Oil filler cap
7	Clip Director knob
8	Cutting height adjustment lever (2)
9	Grass catcher
10	Recoil starter

11	Smart Drive control
12	Handlebar adjust knob (2)
13	Fuel valve
14	Engine serial number
15	Air cleaner
16	Carburetor
17	Spark plug cap
18	Discharge guard
19	Throttle Lever (VYEA)
20	Roto-Stop Button (VYEA)

PREPARATION AND CHECKS BEFORE USE

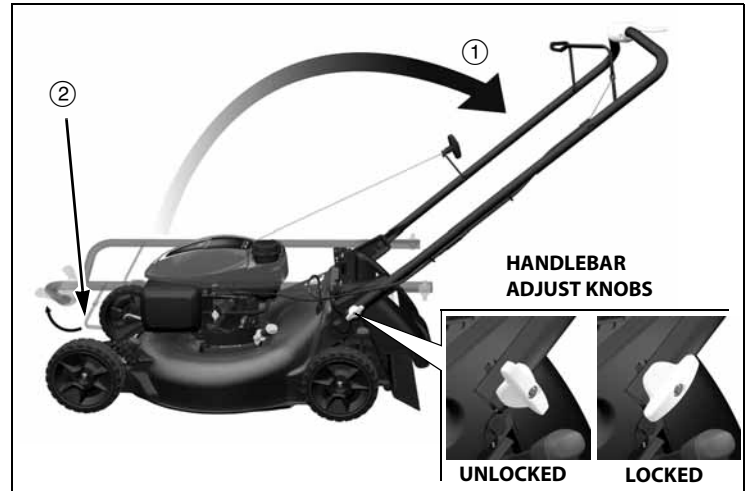


UNPACKING

Remove all the cardboard from around the handlebar.

ASSEMBLY OF THE HANDLE

Turn the handlebar adjust knobs into the unlocked position, and then carefully raise the handlebar into the mowing position ①. The VKEA type requires the cutting-means control lever ② to be pulled against the handlebar.



Align the adjust knobs with one of the two holes on each handle stay. Setting the adjust knobs in the lowest holes raises the handlebar to its highest position.

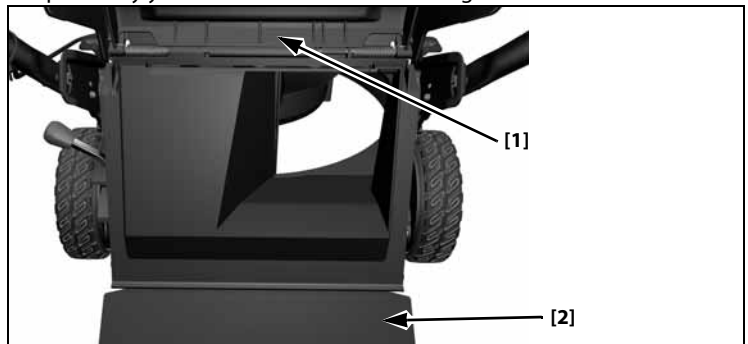
Turn the handlebar adjust knobs 90 degrees into the locked position, making sure both sides are positioned at the same height.

NOTICE

Do not allow the control cables to become caught, pinched, or kinked while unfolding the handlebar. The cables or engine control system may be damaged.

CHECKING THE REAR SHIELD

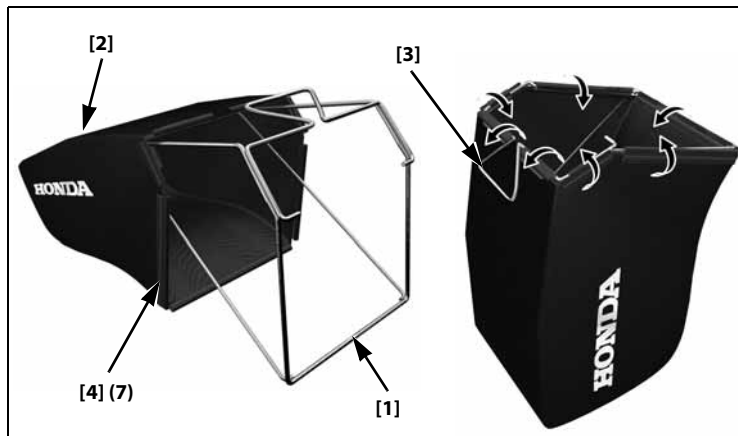
During normal use the rear shield is subject to deterioration and wear. Remove the grass catcher and raise the discharge guard [1] to check the rear shield [2] for cracks or tears. If the rear shield is excessively worn, have it replaced by your authorized Honda servicing dealer.



CHECKING THE GRASS CATCHER



1. Install the assembled frame [1] into the fabric grass catcher [2], keeping the grass catcher handle [3] exposed.
2. Secure the seven plastic clips [4] to attach the fabric catcher to the frame.



A lawnmower works like a vacuum cleaner; it blows air through the catcher, which traps the grass clippings. Always empty the grass catcher before it becomes filled to the limit of its capacity. Grass catcher performance will diminish after the catcher becomes about 90% filled. Also, the catcher is easier to empty when it is not packed full.

Inspection

During normal use, the grass catcher material is subject to deterioration and wear.

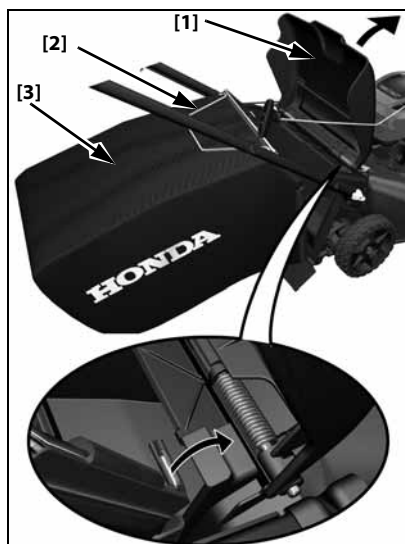
NOTICE

Frequently inspect the grass catcher for tears, holes, and excessive wear. Check for necessary replacement. Make sure the new catcher meets the original specifications.

If the grass catcher needs replacement, you can remove and install a catcher yourself (page 14).

Installation

1. Raise the discharge guard [1], and use the grass catcher handle [2] to hook the grass catcher [3] onto the cutting-means enclosure as shown.
2. Release the discharge guard to secure the grass catcher.



Removal

1. Raise the discharge guard, grasp the grass catcher handle, and remove the grass catcher.
2. Release the discharge guard.
3. When the grass catcher is clear of the discharge guard, you can lift it through the handlebar opening, or you can remove it to the rear of the lawnmower below the handlebar.

CHECKING FUEL LEVEL



This engine is certified to operate on unleaded petrol with a research octane rating of 91 or higher.

Fuel specification(s) necessary to maintain the performance of the emissions control system: E10 fuel referenced in EU regulation.

We recommend refueling after each use to minimize the air present in the fuel tank.

Refuel in a well-ventilated area before starting the engine. If the engine has been running, allow it to cool. Never refuel the mower inside a building where petrol fumes may reach flames or sparks.

You may use regular unleaded petrol containing no more than 10% ethanol (E10) or 5% methanol by volume. In addition, methanol must contain cosolvents and corrosion inhibitors. Use of fuels with content of ethanol or methanol greater than shown above may cause starting and/or performance problems. It may also damage metal, rubber, and plastic parts of the fuel system. In addition, ethanol is hygroscopic, which means it attracts and retains water in the fuel system. Engine damage or performance problems that result from using a fuel with percentages of ethanol or methanol greater than shown above are not covered by warranty. Using the fuel indicated above is necessary to maintain the performance of the emission control system.

If your equipment will be used on an infrequent or intermittent basis, (more than 4 weeks before next use) please refer to the *Fuel* section of the STORAGE chapter (page 16) for additional information regarding fuel deterioration.

WARNING

Petrol is highly flammable and explosive.

You can be burned or seriously injured when handling fuel.

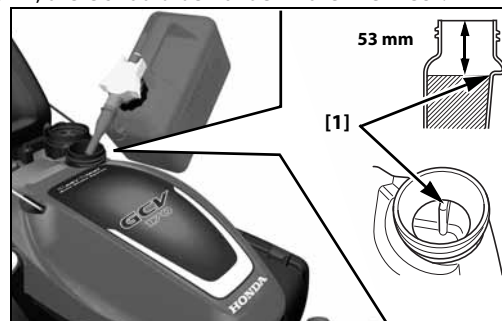
- Stop the engine and allow to cool.
- Keep heat, sparks, and flame away.
- Handle fuel only outdoors.
- Wipe up spills immediately.

Never use stale or contaminated petrol or an oil/petrol mixture. Avoid getting dirt or water in the fuel tank.

NOTICE

Fuel can damage paint and plastic. Be careful not to spill fuel when filling your fuel tank. Damage caused by spilled fuel is not covered under warranty.

Remove the tank cap and check the fuel level. Refill the tank up to the upper limit [1] if the fuel level is low. Refuel carefully to avoid spilling fuel. Do not overfill; there should be no fuel in the filler neck.



After refueling, tighten the fuel tank cap securely.

Move the mower at least 3 meters away from the fueling source and site before starting the engine.

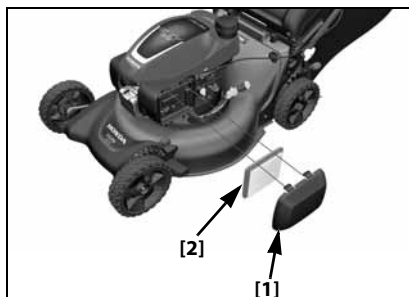
Fuel Storage Container

Store your petrol in a clean, plastic, sealed container approved for fuel storage. Close the vent (if equipped) when not in use, and store the container away from direct sunlight. If it will take more than 3 months to use the fuel in the container, we suggest adding a fuel stabilizer to the fuel when you fill the container.



CHECKING THE AIR CLEANER

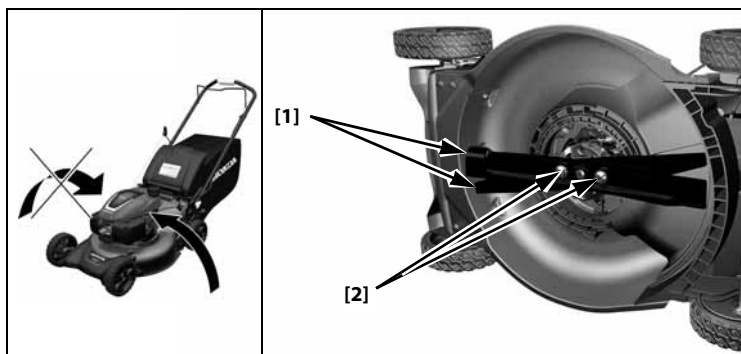
Remove the cover [1]. Make sure the filter [2] is clean and in good condition. A dirty air filter will restrict air flow to the carburetor, reducing engine performance. Refer to page 11 for air cleaner service.



CHECKING CUTTING MEANS CONDITION



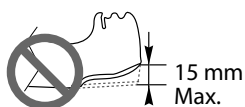
1. Move the fuel valve to the OFF position (page 9) and disconnect the spark plug cap from the spark plug (page 12).
2. Tilt the mower to the right so the fuel cap is up. This will help prevent fuel leakage, motor oil seeping into the air filter, and hard starting.
3. Inspect the cutting means [1] and cutting-means bolts [2] for damage, cracks, and excessive wear, rust, or corrosion.



NORMAL



BENT



EXCESSIVELY WORN



CRACKED

WARNING

A worn, cracked, or damaged cutting means can break, and pieces of the damaged cutting means can become dangerous projectiles.

Thrown objects can cause serious injury.

Inspect the cutting means regularly, and do not operate the mower with a worn or damaged cutting means.

A dull cutting means can be sharpened, but a cutting means that is worn out, bent, cracked, or otherwise damaged must be replaced. A worn or damaged cutting means can break, causing cutting means pieces to be thrown from the mower.

When a cutting means needs sharpening or replacement, take the lawnmower to an authorized Honda dealer. Or, if you have a torque wrench, you can remove and install the cutting means yourself.

Check that the cutting means bolts are tight (page 13).

ADJUSTING CUTTING HEIGHT



There are two cutting height adjustment levers found on the left-hand side of the lawnmower. The lever [1] on the left front wheel adjusts the height of both front wheels, and the lever [2] on the left rear wheel adjusts the height for both rear wheels. Both levers can be adjusted to one of seven settings. The actual height of cut grass will vary with lawn and soil conditions.

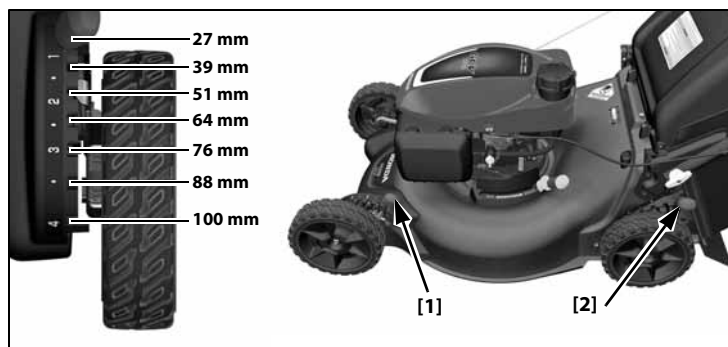
Be sure the engine is not running when adjusting the cutting height.

Move the front and rear adjustment levers to the same position, forward for tall grass and rearward for short grass.

Check the cutting-means enclosure cutting height settings, and be sure that both adjustment levers [1] [2] are set to the same cutting height position.

To adjust the cutting height, move the rear cutting height adjustment lever first. Grasp the handlebar and lift the mower up slightly, and then pull the adjustment lever toward the wheel and move it into the desired height. Adjust the front cutting height adjustment lever to match the rear height setting.

If you are not sure what cutting height to select, start with a high setting and check the appearance of the lawn after mowing a small area. Then readjust the cutting height if necessary.



Consult a local nursery or lawn and garden center for cutting height recommendations and advice about specific types of grasses and growing conditions in your area.

If you look closely, you'll see that most grass has stems and leaves. If you cut off the leaves, you'll scalp the lawn. Let the grass recover between mowings. Your mower will work better, and your lawn will look better.

If your grass gets too tall, cut it once at the highest cutting height setting, and then mow again in 2 or 3 days. Don't take off more than one third of total grass height in any one mowing, or brown patches may develop.



LONG ENOUGH



TOO SHORT

CHECKING ENGINE OIL LEVEL

The mower is shipped **WITHOUT OIL** in the engine.

Add enough SAE 5W-30, 10W-30 API service category SJ or later oil to bring the oil level between the upper limit [2] and lower limit [3] marks on the dipstick [1] as shown.

Do not overfill the engine with oil. If the engine is overfilled, the excess oil may get transferred to the air cleaner housing and air filter.

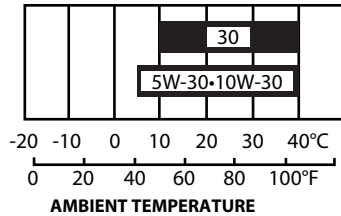


Check the engine oil level with the engine stopped and the mower on a level surface.

Use 4-stroke motor oil that meets or exceeds the requirements for API service category SJ or later. Always check the API SERVICE label on the oil container to be sure it includes the letters SJ or later.

SAE 5W-30, 10W-30 is recommended for general use. Other viscosities shown in the chart may be used when the average temperature in your area is within the indicated range.

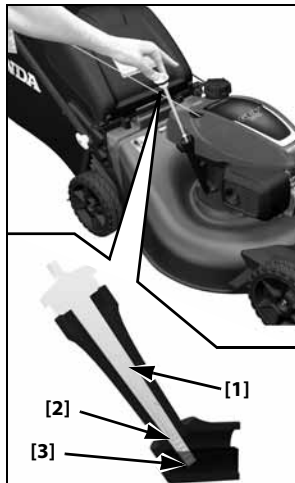
Lubrication oil specifications necessary to maintain the performance of the emissions control system: Honda genuine oil.



NOTICE

- Running the engine with a low oil level can cause engine damage.
- Using nondetergent oil can shorten the engine's service life, and using 2-stroke oil can damage the engine.

1. Remove the oil filler cap/dipstick [1], and wipe the dipstick clean.
2. Insert the dipstick into the filler neck. Do not screw it down. Remove the dipstick and check the oil level.
3. If the oil level is near the low level mark [3], add the recommended oil to bring the level up to the high limit mark [2]. Do not overfill.
4. Install and tighten the filler cap/dipstick [1] securely.

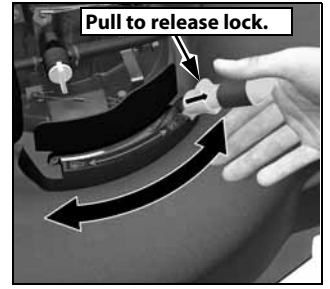


SELECTING THE CUTTING MODE

The Clip Director can be adjusted to either the CATCH or MULCH position to achieve the desired mowing results.

Adjust the Clip Director lever to either the catch (shutter door fully open) or mulch (shutter door fully closed) (page 7).

To adjust the Clip Director, release the lock by pulling it away from the mower toward the end of the lever, and then move the lever to the desired position. Release the lock and allow it to snap into the groove.



Some grass accumulation in the discharge opening is normal when the Clip Director is in the MULCH position. To remove this grass, close the discharge guard, set the Clip Director to the CATCH position, engage the cutting means control lever, and start the engine.

If the Clip Director is difficult to move or the lever will not lock fully:

- With the engine OFF, lift the discharge guard and remove the grass clippings from around the shutter door.
- With a garden hose and nozzle, spray around and under the Clip Director lever and cover assembly to remove the grass clippings.

NOTICE

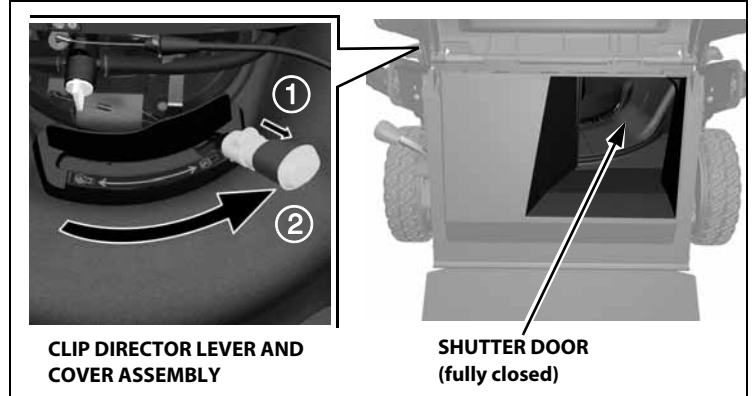
Always turn the engine off and disconnect the spark plug cap before lifting the discharge guard to view or clean around the sliding door. This will prevent contact with the rotating cutting means and prevent objects from being thrown into the discharge chute.

Some grass accumulation in the discharge opening is normal when the Clip Director is fully closed. To remove this grass, close the discharge guard, fully open the Clip Director, and start the engine.

If a high resistance is noticed when moving the Clip Director lever from side-to-side, excessive grass may have built up on top of the sliding door.

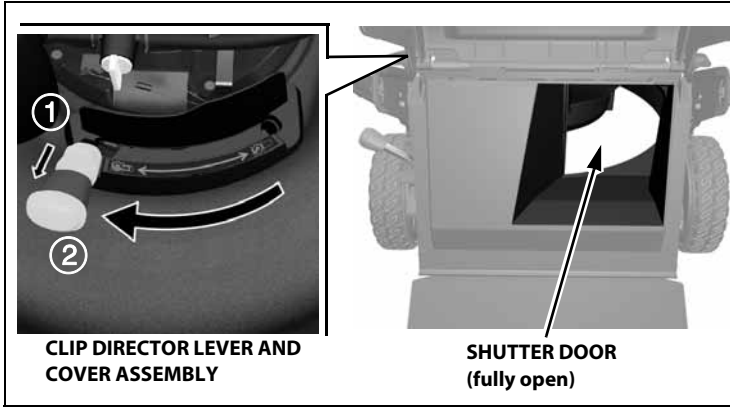
Mulching

Release the lock ① and then move the Clip Director lever into the MULCH position ②.



Catching or Rear Discharge

Release the lock ① and then move the Clip Director lever into the CATCH position ②.



To discharge clippings to the rear, remove the grass catcher and leave the Clip Director lever in the CATCH position.



STARTING AND STOPPING THE ENGINE



MOWING PRECAUTIONS

Before operating the mower for the first time, please review *SAFETY INSTRUCTIONS* (page 2) and *PREPARATION AND CHECKS BEFORE USE* (page 4).

Even if you have operated other mowers, take the time to become familiar with how this mower works, and practice in a safe area until you build up your skills.

For your safety, avoid starting or operating the engine in an enclosed area such as a garage. Your mower's exhaust contains poisonous carbon monoxide gas that can collect rapidly in an enclosed area and cause illness or death.

FREQUENCY OF USE

If your equipment will be used on an infrequent or intermittent basis, (more than 4 weeks before next use) please refer to the *Fuel* section of the *STORAGE* chapter (page 16) for additional information regarding fuel deterioration.

STARTING THE ENGINE

1. Turn the fuel valve to the ON (open) position (page 9).

2. VKEA Type:

Pull back on the cutting-means control lever [1] and hold it against the handlebar.

The lever must be against the handlebar to start the engine. The cutting means start to rotate when the lever is against the handlebar and the recoil starter grip is pulled.

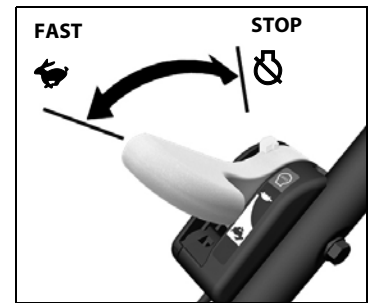


VYEA Type:

Move the throttle lever to FAST position.

3. Pull the starter grip lightly until you feel resistance, then pull briskly. Return the starter grip gently.

VKEA Type: Continue to hold the cutting-means control lever against the handlebar; the engine stops when the cutting-means control lever is released.



To ensure easy restarting and maximum performance from the Auto Choke System, start mowing as soon as the engine starts and allow the engine to run for at least three minutes before stopping the engine.

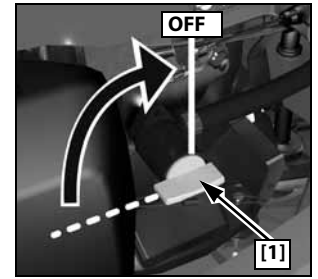
STOPPING THE ENGINE

1. **VKEA Type:** Release the cutting-means control lever to stop the engine and cutting means rotation.

VYEA Type: Release the cutting-means control lever to stop the cutting means rotation, and then move the throttle lever to the STOP position.

2. When the mower is not in use, turn the fuel valve [1] to the OFF position.

3. If your equipment will not be used for 3 to 4 weeks, we recommend running the engine's carburetor out of fuel. You can do this by leaving the fuel valve OFF, restarting the engine and running it out of fuel. See "STORAGE" on page 15 for periods of inactivity that exceed 4 weeks.



OPERATING HINTS AND TIPS

USING THE LAWNMOWER AT HIGH ALTITUDES

At high altitude, the standard carburetor air-fuel mixture will be too rich. Performance will decrease, and fuel consumption will increase. A very rich mixture will also foul the spark plug and cause hard starting.

High altitude performance can be improved by specific modifications to the carburetor. If you always operate your mower at altitudes above 610 meters, have an authorized Honda dealer perform this carburetor modification.

Even with carburetor modification, engine power will decrease about 3.5% for each 300 meter increase in altitude. The effect of altitude on power will be greater than this if no carburetor modification is made.

NOTICE

When the carburetor has been modified for high altitude operation, the air-fuel mixture will be too lean for low altitude use. Operation at altitudes below 610 meters with a modified carburetor may cause the engine to overheat and result in serious engine damage. For use at low altitudes, have your authorized Honda dealer return the carburetor to original factory specifications.

SAFE MOWING PRACTICES

For your safety, keep all four wheels on the ground, and be careful to avoid losing your footing and your control of the mower. Keep a firm grip on the handlebar, and walk, never run, with the mower. Be very careful when mowing uneven or rough ground.

If stuck, do not kick or shove the mower with your foot. Use the handlebar to control the mower.

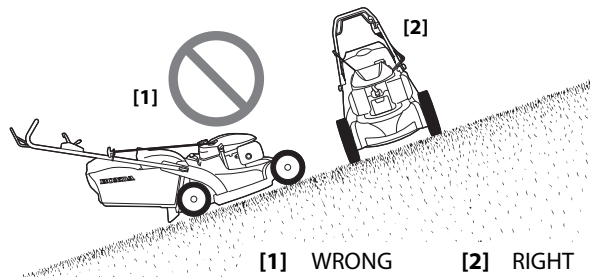
WARNING

The cutting means are sharp and spin at high speed.

If you come in contact with a spinning cutting means, it will cut you severely and can amputate fingers and toes.

- Wear protective footwear.
- Keep your hands and feet away from the cutting-means enclosure while the engine is running.
- Stop the engine before performing any adjustment, inspection, or maintenance.

Slopes



Mow across slopes, not up and down. Avoid steep slopes (more than 20° (36%)), and be careful when changing direction. Mowing on a slope when the grass is damp or wet could cause you to slip, fall, and lose control of the mower.

Obstacles

Use the side of the mower to cut close to large obstacles, such as fences or walls.

Release the Smart Drive control to disengage the drive when mowing around trees and other obstacles. Push the mower around obstacles for better directional control. Be careful when mowing over obstacles embedded in the lawn, such as sprinkler heads, paving, edging, etc. Avoid anything that sticks up above the surface of the lawn.

If the cutting means hits something, or if the mower starts to vibrate, stop the engine immediately and check for damage. Striking objects may damage the cutting means, bend the crankshaft, and/or break the cutting-means enclosure or other components. Vibration usually indicates serious trouble.

WARNING

A worn, cracked, or damaged cutting means can break, and pieces of the damaged cutting means can become dangerous projectiles.

Thrown objects can cause serious injury.

Inspect the cutting means regularly, and do not operate the mower with a worn or damaged cutting means.

The warranty does not cover parts damaged by collision.

Gravel and Loose Objects

Gravel, loose stones, and landscaping material can be picked up by the mower and thrown away with enough force to cause serious personal injury and/or property damage. The best way to prevent potential injury from thrown objects is to release the cutting means control lever to stop the cutting means before reaching areas with gravel, loose stones, or landscaping material.

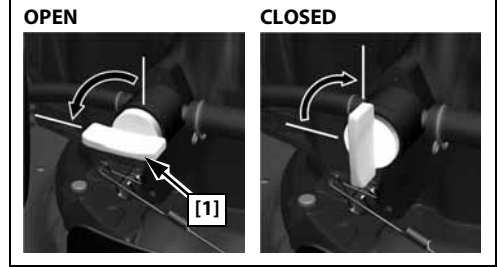
OPERATING THE CONTROLS FOR

MOWING



Fuel Valve

The fuel valve [1] opens and closes the connection between the fuel tank and the carburetor.



Cutting-means Control System

VKEA Type

The cutting-means control lever [1] must be pulled back against the handlebar to start and run the engine. The cutting means start to rotate when the lever is pulled back against the handlebar and the recoil starter grip is pulled.



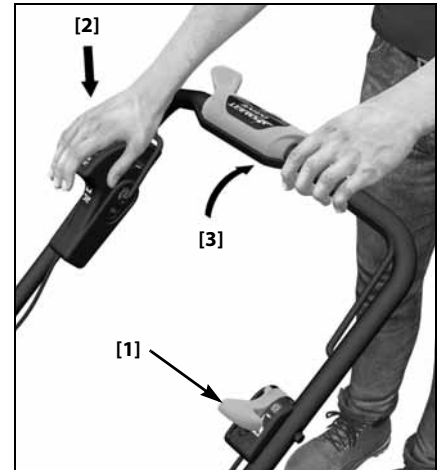
Continue to hold the cutting-means lever fully against the handlebar. This will keep the engine and cutting means rotating smoothly and prevent premature wear to the cutting-means control system.

Release the cutting-means control lever to stop the engine and stop cutting means rotation whenever you need to leave the mower.

VYEA Type

To start cutting-means rotation, make sure the engine is running and the throttle lever [1] is in the FAST position.

1. Push down and **hold** the Roto-Stop® button [2].
2. Pull the cutting-means control lever [3] quickly against the handlebar allowing the engine to bring the cutting means up to full speed. Then release the Roto-Stop button.



Continue to hold the cutting-means lever fully against the handlebar to maintain cutting means rotation. The cutting-means control lever must always be fully engaged or fully released. Do not partially engage the lever.

Release the cutting-means control lever to stop cutting means rotation. Always release the cutting-means control lever before starting the engine to prevent the cutting means from rotating.

Smart Drive Control

With the engine running and the cutting means rotating, slowly push the Smart Drive control to propel the mower forward.

Ground speed will increase as more pressure is applied to the Smart Drive control.

After maximum ground speed is obtained, applying additional pressure will not further increase ground speed. Apply only enough pressure to achieve the desired speed.

Release the Smart Drive control to disengage the drive when mowing around trees and other obstacles. Push the mower around obstacles for better directional control.

Ground speed varies with terrain, grass height, slope, and grass catcher weight. Moving the Smart Drive control allows you to maintain the desired ground speed under constantly changing mowing conditions.

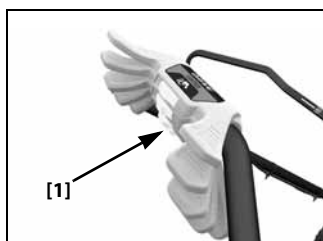
Release the Smart Drive control to disengage (stop) the rear wheels.

Adjusting the Smart Drive Control

The Smart Drive control can be adjusted up or down into any one of five positions for operator comfort.

Do not attempt to adjust the position of the Smart Drive control while the mower is in motion.

Slide the multi-position adjuster [1] to the left to unlock the control, move the Smart Drive control up or down into the most comfortable position, and then release the multi-position adjuster and allow it to engage.

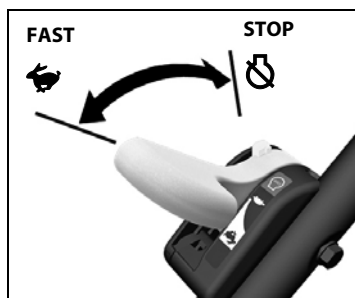


Throttle Lever

VYEA Type

For best cut quality, always mow with the throttle lever in the FAST position. When the cutting means rotate at the preset fast speed, they create a strong fan action that lifts and cuts grass more efficiently.

Do not try to increase the preset FAST engine speed; the cutting means could fracture and come apart.



MOWING TIPS

When to Mow

Most grasses should be mowed when they have grown 12 ~ 25 mm above their recommended height.

More frequent mowing is required for mulching than for catching. For best results, you may need to mow the lawn twice a week during the growing season.

Cutting Width

For an even lawn finish, overlap each mowing swath by a few centimeters. If the grass is very tall or thick, use more overlap and a narrower mowing swath.

Cutting Means Speed

The cutting means must spin very fast to cut properly.

If engine speed drops, it could mean the engine is being overloaded by the cutting means trying to cut too much grass. Mow a narrower swath, move the mower slower, or raise the cutting height.

Cutting Means Sharpness

A sharp cutting means cuts cleanly. A dull cutting means tears the grass, leaving shredded ends that turn brown. When your cutting means doesn't cut cleanly anymore, have it sharpened or replaced.

Dry Grass

If the ground is too dry, mowing will stir up a lot of dust. Besides being unpleasant to work in, too much dust will clog the carburetor air filter.

If dust is a problem, water your lawn the day before mowing. Mow when the grass is dry to your touch, but the soil is still moist.

Wet Grass

Wet grass is slippery and can make you lose your footing. Also, wet grass clippings will clog the cutting-means enclosure and collect in clumps on the lawn. Always wait for wet grass to dry before mowing.

Fallen Leaves

When equipped with the grass catcher, your mower can be used to pick up fallen leaves for disposal. If using the mower to collect large amounts of fallen leaves, and not for mowing, adjust the front cutting height adjustment lever so the front of the cutting-means enclosure is one or two settings higher than the rear.

If you want to mulch fallen leaves into your lawn, don't let the leaf cover get too deep before you begin. For best results, start mulching while grass still shows through the leaf cover. In places where fallen leaves completely cover the grass, remove the leaves by raking, or install the grass catcher, so your mower can pick them up for disposal.

Clogged Cutting-means Enclosure

Before clearing a clogged cutting-means enclosure, stop the engine and turn the fuel valve to the OFF position. With the spark plug cap disconnected, tilt the mower so the air cleaner side is up.

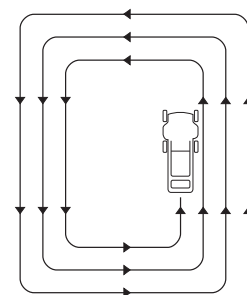
Clear a clogged enclosure with a stick, not your hands.

Mowing Patterns

Your Honda mower will work most efficiently if you use the following mowing patterns as much as possible. Cutting-means enclosure and equipment design, and the direction in which the cutting means rotate, cause these mowing patterns to give the best results.

Mulching

Use a counterclockwise mowing pattern when the Clip Director lever is in the MULCH position. If the lawn has an irregular shape, or many obstacles, divide it into sections where you can use counterclockwise mowing patterns.



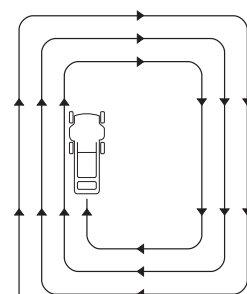
MULCHING PATTERN

Catching

Use a clockwise mowing pattern. This will give the best Clip Director and catching performance, leaving the least amount of clippings on the lawn.

Rear Discharge Mowing

Remove the grass catcher and close the discharge guard. Move the Clip Director lever to the CATCH setting and begin mowing in a clockwise mowing pattern. If the lawn has an irregular shape, or many obstacles, divide it into sections.



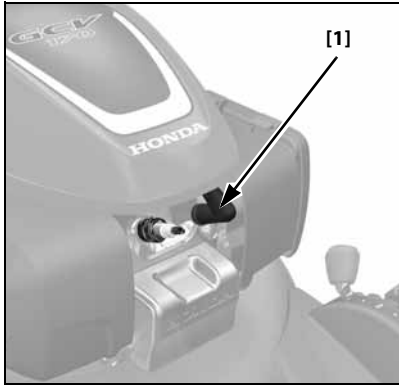
CATCHING & REAR-DISCHARGE PATTERN

MAINTENANCE



⚠ WARNING

To avoid the lawnmower starting accidentally, pull off the spark plug cap [1] before carrying out maintenance work.



THE IMPORTANCE OF MAINTENANCE

Good maintenance is essential for safe, economical, and trouble-free operation. It will also help reduce air pollution and ensure the emissions performance of the engine continues to be met.

To help you properly care for your mower, the following pages include a maintenance schedule, routine inspection procedures, and simple maintenance procedures using basic hand tools. Other service tasks that are more difficult, or require special tools, are best handled by professionals and are normally performed by a Honda technician or other qualified mechanic.

The maintenance schedule applies to normal operating conditions. If you operate your mower under unusual conditions, consult an authorized Honda dealer for recommendations applicable to your individual needs and use.

Remember that your servicing dealer knows your mower best and is fully equipped to maintain and repair it.

To ensure the best quality and reliability, use only new, Honda Genuine parts or their equivalents for repair and replacement.

⚠ WARNING

Improper maintenance, or failure to correct a problem before operation, can cause a malfunction in which you can be seriously hurt or killed.

Always follow the inspection and maintenance recommendations and schedules in this owner's manual.

MAINTENANCE SAFETY

Some of the most important safety precautions follow. However, we cannot warn you of every conceivable hazard that can arise in performing maintenance. Only you can decide whether or not you should perform a given task.

⚠ WARNING

Failure to properly follow maintenance instructions and precautions can cause you to be seriously hurt or killed.

Always follow the procedures and precautions in this owner's manual.

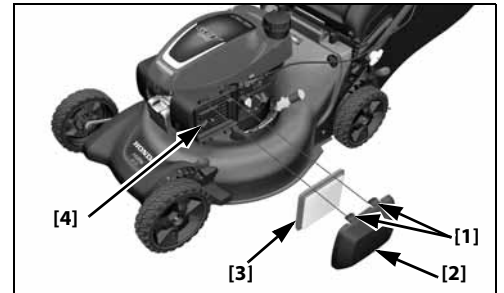
AIR CLEANER MAINTENANCE

A properly maintained air filter will help prevent dirt from entering your engine. Dirt entering the carburetor can be drawn into small passages in the carburetor and cause premature engine wear. These small passages can become blocked, causing starting or running problems. It is recommended to always use a genuine Honda air filter specified for your engine to ensure it seals and performs as designed. You will need to clean the filter more frequently if you operate the engine in very dusty conditions.

NOTICE

Operating the engine without an air filter, or with a damaged filter, will allow dirt to enter the engine, causing rapid engine wear. This type of damage is not covered by the warranty.

1. Press down on the air cleaner cover [1] tabs, and then remove the cover [2].
2. Remove the filter [3] from the air cleaner housing [4].
3. Inspect the filter; replace if damaged.
4. Clean the filter by tapping the filter several times on a hard surface to remove dirt, or blow compressed air (not exceeding 2 bar/29 psi) through the filter from the inside. Never try to brush off dirt; brushing will force dirt into the fibers.
5. Wipe dirt from the inside of the air cleaner housing and cover, using a moist rag. Be careful to prevent dirt from entering the air duct that leads to the carburetor.
6. Reinstall the filter and cover.



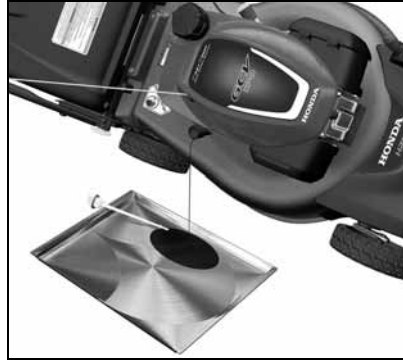
ENGINE OIL CHANGE

Drain the oil while the engine is warm. Warm oil drains quickly and completely.



1. Turn the fuel valve OFF. This will reduce the possibility of fuel leakage (page 9).
2. Wipe the oil filler area clean, and then remove the oil filler cap/dipstick.

3. Place a suitable container next to the mower to catch the used oil, and then tilt the mower on its right side. The used oil will drain through the filler neck. Allow the oil to drain completely.



Please dispose of used motor oil and the containers in a manner that is compatible with the environment. We suggest you take it in a sealed container to your local recycling center or service station for reclamation. Do not throw it in the trash, pour it on the ground or pour it down a drain.

4. Fill with the recommended oil (page 7).

Refill Amount:
0.35~0.40 L

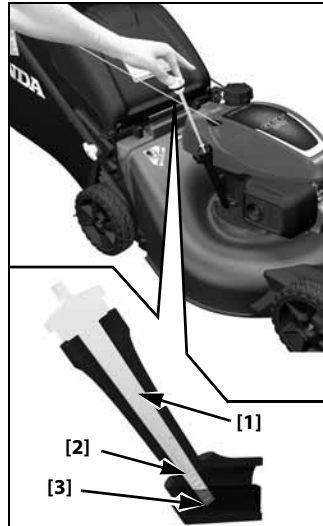
Do not overfill.

Measure the oil level as shown below.



5. After changing the engine oil and before starting the engine, check the oil level with the mower on a level surface:

- a. Remove the filler cap/dipstick [1].
- b. Wipe the dipstick clean.
- c. Insert and remove the dipstick without screwing it into the filler neck. Check the oil level shown on the dipstick.
- d. If the oil level is below the low level mark [3], add oil to reach the high limit mark [2] on the dipstick. Do not overfill. If the engine is overfilled, the excess oil may get transferred to the air cleaner housing and air cleaner filter.



NOTICE

Running the engine with a low oil level can cause engine damage.

- e. Screw in the filler cap/dipstick securely.

CHECKING THE SPARK PLUG

Required spark plugs:

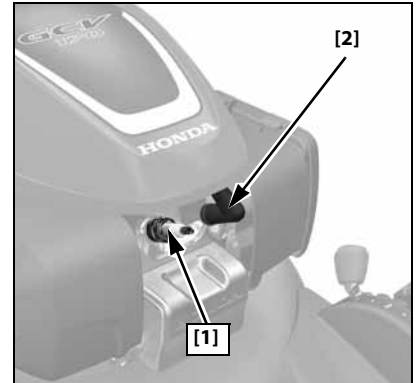
NGK - BPR5ES

NOTICE

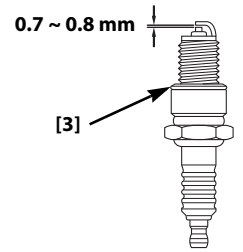
Incorrect spark plugs can cause engine damage.

For good performance, the spark plug [1] must be properly gapped and free of deposits.

1. Disconnect the spark plug cap [2], and remove any dirt from around the spark plug area.
2. Remove the spark plug with a spark plug wrench.



3. Inspect the spark plug. Replace it if the electrodes are worn or if the insulator is cracked or chipped.
4. Measure the spark plug electrode gap with a suitable gauge. The gap should be 0.7 ~ 0.8 mm. Correct the gap, if necessary, by carefully bending the side electrode.



5. Install the spark plug carefully, by hand, to avoid cross-threading.
6. After the spark plug seats, tighten with a spark plug wrench to compress the washer.

If reinstalling the old spark plug, tighten 1/8 to 1/4 turn after the spark plug seats.

If installing a new spark plug, tighten 1/2 turn after the spark plug seats to compress the washer [3].

TORQUE: 20 N·m

NOTICE

A loose spark plug can overheat and damage the engine. Overtightening the spark plug can damage the threads in the cylinder head.

7. Install the spark plug cap on the spark plug.

MAINTENANCE OF SPARK ARRESTER (OPTIONAL EQUIPMENT)

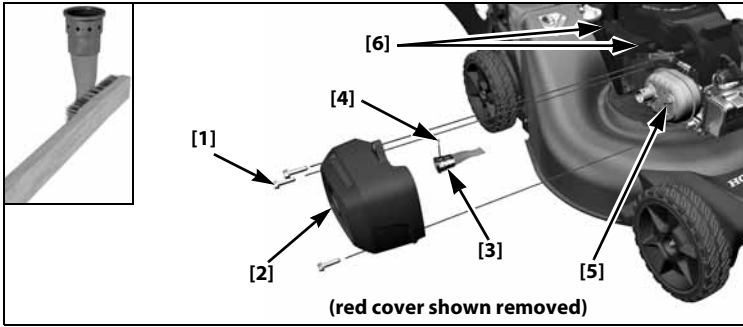
In Europe and other countries where machinery directive 2006/42/EC is enforced, this cleaning should be done by your servicing dealer.

The spark arrester must be serviced every 100 hours to keep it functioning as designed.

1. Allow the engine to cool.
2. Unclip the two red top cover tabs [6] on the muffler side of the engine, and then slightly lift the red top cover up to expose the upper muffler shield bolt.
3. Remove the three bolts [1] from the muffler shield [2] using a 10 mm socket wrench.
4. Remove the muffler shield [2].
5. Remove the set screw [4].
6. Remove the spark arrester [3] from the muffler [5].
7. Check for carbon deposits on the spark arrester and the exhaust port. Brush carbon deposits away. Be careful to avoid damaging the spark arrester screen.
8. Install the spark arrester into the muffler.



9. Install the muffler shield on the engine, tighten the three bolts securely, and then reattach the red top cover.



CUTTING MEANS REMOVAL AND INSTALLATION

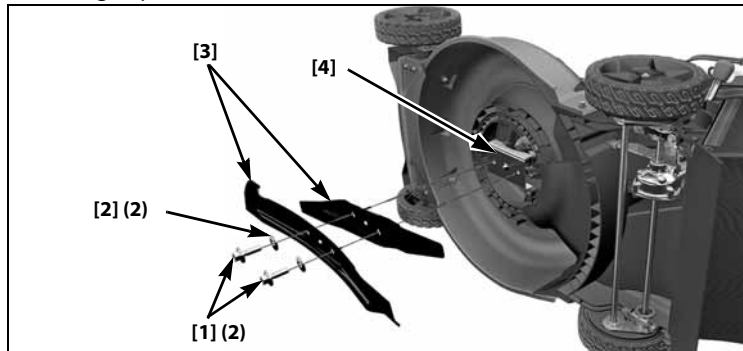
If you remove the cutting means for sharpening or replacement, you will need a torque wrench for installation. Wear heavy gloves to protect your hands.

Cutting means SHARPENING: To avoid weakening the cutting means, or causing imbalance or poor cutting, the cutting means should be sharpened by trained staff at an authorized Honda dealer.

Cutting means REPLACEMENT: Use Honda Genuine replacement cutting means or their equivalent.

Removal

1. Turn the fuel valve OFF and disconnect the spark plug cap.
2. Tilt the mower to the right so the fuel cap is up. This will help to prevent fuel leakage, motor oil seeping into the air filter, and hard starting.
3. Remove the cutting-means bolts [1] and special washers [2] with a 14 mm (6 point) socket wrench. Wear thick leather gloves and hold the cutting means [3] with your hand to prevent the them from turning when removing the bolts. Remove the cutting means.
4. Inspect the cutting-means holder (VKEA) or Roto-Stop assembly (VYEA) [4] and cutting means mounting surface for damage. If damage is found or the cutting means have impacted a hard object, replace the damaged parts.



Installation

1. Clean dirt and grass from around the cutting means mounting area.
2. Install both cutting means [3] using the two cutting means bolts [1] and special washers [2] as shown. Be sure to install the special washers with the concave side toward the cutting means and the convex side toward the head of the bolt.

WARNING

Operating this mower with only one cutting means will result in an improperly seated cutting means that can be thrown from the mower and seriously hurt or kill someone.

Always install both cutting means as a set.

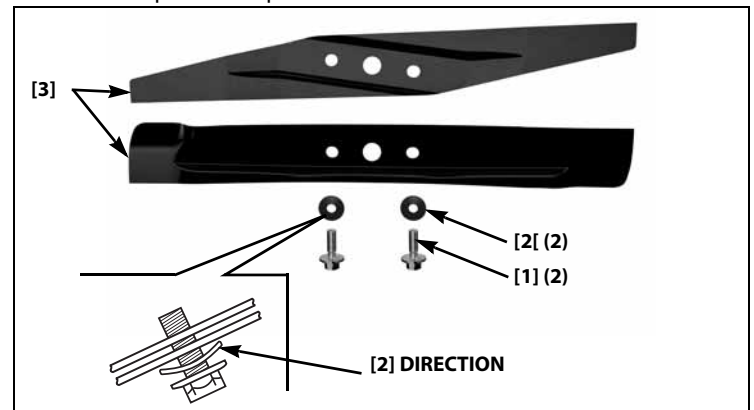
WARNING

If the cutting-means bolts are not torqued properly, the cutting means could loosen and be thrown from the mower.

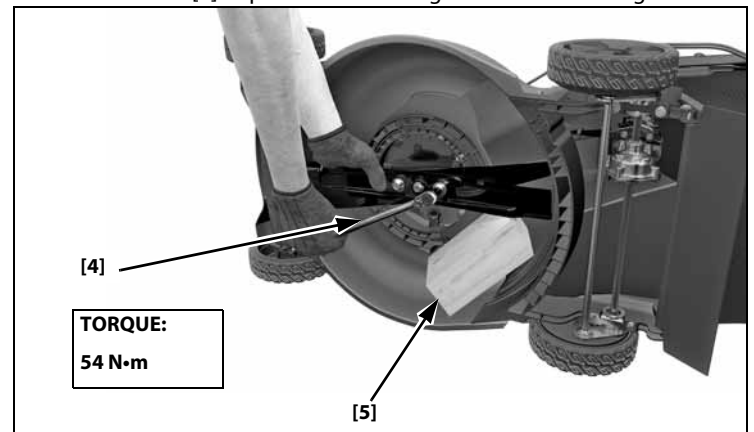
Cutting means thrown from the mower could seriously hurt or kill someone.

Ensure the cutting-means bolts are torqued properly.

The cutting-means bolts and washers are specially designed for this application. When replacing the bolts and washers, use only Honda Genuine replacement parts.



3. Tighten the cutting-means bolts with a torque wrench [4]. Use a wooden block [5] to prevent the cutting means from turning.



Cutting-means bolt torque: 54 N·m

If you do not have a torque wrench, have an authorized Honda dealer tighten the cutting-means bolts before you use the mower. If the cutting-means bolts are overtightened, they could break. If the cutting-means bolts are not tightened enough, they could loosen or come out. In either case, it would be possible for the cutting means to fly off while you are operating the mower.

Cutting-means Mounting Bolt Inspection

Inspect the cutting-means bolts for any signs of damage or looseness. If they are damaged, they must be replaced.

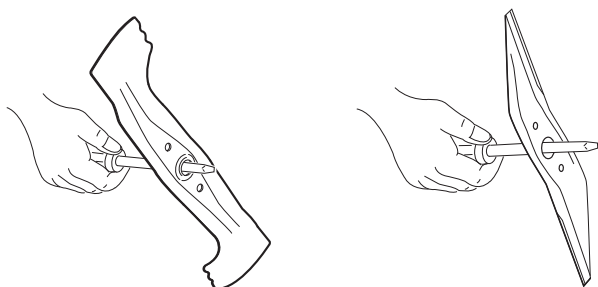
If they appear loose, a torque wrench must be used to accurately tighten the cutting-means bolts to the required torque. If you do not have a torque wrench, take your lawnmower to an authorized dealer to have the bolts replaced or tightened.

Use only Honda Genuine cutting-means bolts and special washers, since they are specifically designed for this purpose. Replacement part numbers are on page 17.

Inspect washers and bolt heads for looseness and damage.



Cutting-means Replacement



CAUTION:

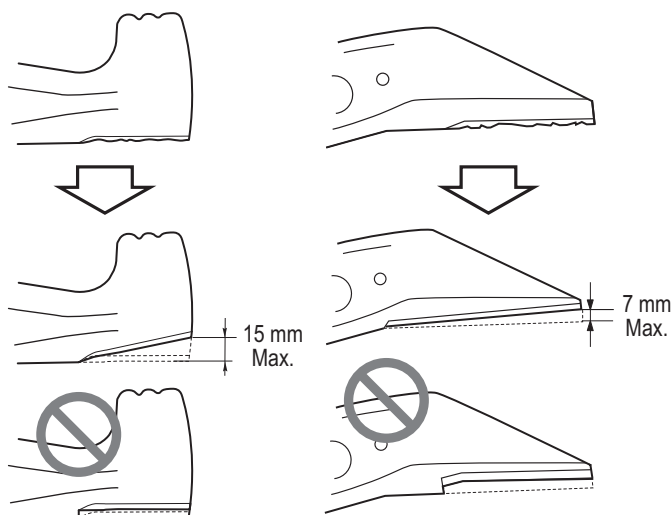
- Cutting-means balance is critical to proper lawnmower performance. Replace any cutting means that is damaged or out of balance.
- Use only genuine Honda replacement cutting means.

Cutting-means Sharpening

CAUTION:

- To avoid weakening the cutting means, causing it to become unbalanced or getting a bad quality of cut, the cutting means should be sharpened by competent personnel at your servicing dealer.

1. Sharpen the cutting means cutting edges with a file. File the top side only. Maintain the original bevel for a fine cutting edge. File both ends evenly to maintain cutting-means balance.
2. After sharpening, test the cutting-means balance using a screwdriver as shown above. If either side dips slightly below the horizontal, file that side. Replace the cutting means if it dips excessively.



GRASS CATCHER CLEANING AND REPLACEMENT

Cleaning

Wash the grass catcher with a garden hose, and allow it to dry completely before use; a wet grass catcher will clog quickly.

Replacement

Replace a worn or damaged grass catcher with a Honda replacement part or its equivalent.



OPERATION CHECK OF THE CUTTING-MEANS CONTROL

VKEA Type only:

Start the engine outdoors. Release the cutting-means control lever; the engine should stop quickly. If the engine does not stop quickly, take the mower to an authorized Honda servicing dealer for repair.

MAINTENANCE SCHEDULE

Perform at every indicated month/year or operating hour interval, whichever comes first.

Item	Intervention	Frequency					
		Before each use	First month or 5 hours	First 25 hours	Every 6 months or 50 hours	Every year or 100 hours	Every 2 years or 150 running hours
Engine oil	Check	o					
	Change		o		o ¹	o ¹	o ¹
Air filter	Check	o					
	Clean			o ¹	o ¹	o ¹	
	Replace						o
Spark plug	Check / Adjust					o	
	Replace						o
Spark arrester ³ (if equipped)	Clean					o	o
Fuel tank ²	Clean					o	o
Valve clearance ²	Adjust					o	o
Fuel lines ²	Check (replace if necessary)	Every 2 years					
Grass catcher	Check	o					
Cutting-means	Check	o					
Operation of the cutting-means control	Check	o				o	o
Rear shield	Check	o					
Cutting-means bolts	Check	o					
Smart Drive cable ²	Adjust			o	o	o	o
Roto-Stop cable (VYEA) ²	Adjust			o		o	o
Throttle cable (VYEA) ²	Adjust			o		o	o
Pinion gears ²	Grease					o	o
Transmission axle bearings ²	Check						o

1. Service more frequently when used in dusty areas.
2. These items should be serviced by an authorized Honda servicing dealer, unless you have the proper tools and are mechanically proficient. Refer to the Honda shop manual for service procedures.
3. In Europe and other countries where machinery directive 2006/42/EC is enforced, this cleaning should be done by your servicing dealer.

Failure to follow this maintenance schedule could result in non-warrantable failures or reduction in performance and emissions noncompliance.

TROUBLESHOOTING

ENGINE WILL NOT START

Possible Cause	Correction
Fuel valve OFF	Turn the fuel valve ON (page 9).
Out of fuel	Refuel (page 7).
Throttle in wrong position (VYEA only)	Move throttle lever to FAST position (page 10).
Bad fuel; mower stored without treating the petrol, or refueled with bad petrol	Refuel with fresh petrol (page 5).
Spark plug faulty, fouled, or improperly gapped	Gap or replace the spark plug (page 12).
Spark plug wet with fuel (flooded engine)	Dry and reinstall the spark plug.
Fuel filter clogged, carburetor malfunction, ignition malfunction, valves stuck, etc.	Take the mower to an authorized Honda servicing dealer or refer to the shop manual for repair.

LOSS OF POWER

Possible Cause	Correction
Grass is too tall to cut	Raise the cutting height (page 7), cut a narrower swath, use a slower ground speed, or cut more frequently.
Throttle not set to FAST (VYEA only)	Move the throttle lever to FAST (page 10).
Cutting-means enclosure is clogged	Clean out the cutting-means enclosure (page 10).
Air cleaner is clogged	Clean or replace the air cleaner
Bad fuel; mower stored without treating the petrol, or refueled with bad petrol	Refuel with fresh petrol (page 12).
Fuel filter clogged, carburetor malfunction, ignition malfunction, valves stuck, etc.	Take the mower to an authorized Honda servicing dealer or refer to the shop manual for repair.

VIBRATION

Possible Cause	Correction
Grass and debris lodged under the cutting-means enclosure	Clean out the cutting-means enclosure (page 10).
Cutting means loose, bent, damaged, or unbalanced by improper sharpening	Tighten loose cutting-means bolts (page 13). If cutting means are found to be bent or damaged, take the lawnmower to an authorized Honda servicing dealer for inspection.
Mechanical damage, such as a bent crankshaft	Take the mower to an authorized Honda servicing dealer or refer to the shop manual for repair.

MOWING AND CATCHING PROBLEMS

Possible Cause	Correction
Mower is moving too fast for lawn conditions	Apply less pressure to the Smart Drive control or push slower.
Cutting height adjustment levers set at different positions	Set both levers at the same cutting height position (page 7).
Grass catcher overfilled or clogged	Empty the grass catcher. Wash the grass catcher if it is clogged with dirt (page 14).
Cutting-means enclosure is clogged	Clean out the cutting-means enclosure (page 10).
Cutting means dull, worn, or damaged	Sharpen or replace the cutting means if necessary (page 13).

STORAGE

Proper storage is essential for keeping your lawnmower troublefree and looking good. The following steps will help protect the mower from rust and corrosion, and make the engine easier to start when you use the lawnmower again.



CLEANING

Engine

Clean the engine by hand, using a rag and a brush.

NOTICE

Using a garden hose or pressure washing equipment can force water into the air cleaner. Water in the air cleaner will soak the paper filter and can enter the carburetor or engine cylinder, causing damage. Water contacting a hot engine can cause damage. If the engine has been running, allow it to cool for at least half an hour before cleaning.

Cutting-means Enclosure

To assure a longer lifetime and more efficient operation, the underside of the lawnmower must be kept clean and free of grass debris by cleaning with a brush and scraper. After use the lawnmower must be cleaned thoroughly before being stored.

Before cleaning the underside of the cutting-means enclosure, allow the engine to cool and be sure the fuel valve is in the OFF position. Disconnect the spark plug cap. Rest the mower on its right side so the fuel filler cap is up. This will help prevent fuel leakage and hard starting due to carburetor flooding. Wear heavy gloves to protect your hands from the cutting means.

Grass catcher

Remove the catcher from the mower, and wash it with a garden hose or pressure washing equipment. Allow the catcher to dry completely before storage.

After the lawnmower is clean and dry, touch up any damaged paint and coat other areas that may rust with a light film of oil.

FUEL

NOTICE

Depending on the region where you operate your equipment, fuel formulations may deteriorate and oxidize rapidly. Fuel deterioration and oxidation can occur in as little as 30 days and may cause damage to the carburetor and/or fuel system. Please check with your servicing dealer for local storage recommendations.

Petrol will oxidize and deteriorate in storage. Old petrol will cause hard starting, and it leaves gum deposits that can clog the small passages in the fuel system. If the petrol in your mower deteriorates during storage, you may need to have the carburetor and other fuel system components, serviced or replaced.

The length of time that petrol can be left in your fuel tank and carburetor without causing functional problems will vary with such factors as petrol blend, your storage temperatures, and whether the fuel tank is partially or completely filled. The air in a partially filled fuel tank promotes fuel deterioration. Very warm storage temperatures accelerate fuel deterioration. Fuel deterioration problems may occur within a few months, or even less if the petrol was not fresh when you filled the fuel tank.

If you keep a container of petrol for refueling, be sure that it contains only fresh petrol.

If it will take more than 3 months to use the fuel in your storage container, we suggest adding a fuel stabilizer to the fuel when you fill the container.

Short Term Storage (30-90 days)

If your lawnmower will not be used for 30 to 90 days, we recommend the following to prevent fuel-related problems:

1. Add fuel stabilizer following the manufacturer's instructions.
When adding a fuel stabilizer, fill the fuel tank with fresh petrol. If only partially filled, air in the tank will promote fuel deterioration during storage.
Note:
 - All stabilizers have a shelf life and their performance will deteriorate over time.
 - Fuel stabilizers will not reconstitute stale fuel.
2. After adding a fuel stabilizer, run the engine outdoors for 10 minutes to be sure that treated petrol has replaced the untreated petrol in the carburetor.
3. Stop the engine and turn the fuel valve to the OFF position.
4. Start the engine and continue to run the engine until it stops from the lack of fuel in the carburetor fuel bowl. Running time should be less than 3 minutes.

Long Term or Seasonal Storage (greater than 90 days)

Start the engine and allow it to run long enough to empty all the petrol from the entire fuel system (including the fuel tank). Do not allow petrol to remain in your engine for more than 90 days of inactivity.

The **WARRANTY** does not cover fuel system damage or engine performance problems resulting from neglected storage preparation.

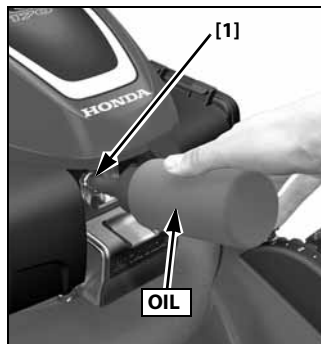
ENGINE OIL

Change the engine oil (page 12).

ENGINE CYLINDER

If the mower is to be stored for more than 3 months, remove the spark plug (page 12). Pour 5 ~ 10 cc of clean engine oil into the cylinder [1]. Pull the starter grip several times to distribute the oil in the cylinder. Reinstall the spark plug.

Pull the starter grip slowly until resistance is felt, then return the starter grip gently. This will close the valves so moisture cannot enter the engine cylinder.



PLACING IN STORAGE

Since your mower will be stored with petrol in the fuel tank and carburetor, it is important to reduce the hazard of petrol vapor ignition. Select a well-ventilated storage area away from any appliance that operates with a flame, such as a furnace, water heater, or clothes dryer. Also avoid any area with a spark-producing electric motor, or where power tools are operated.

If possible, avoid storage areas with high humidity, because that promotes rust and corrosion.

Place the mower with its wheels on a level surface. Tilting can cause fuel or oil leakage. The handlebar can be folded for compact storage, shown below.

With the engine and exhaust system cool, cover the mower to keep out dust. A hot engine and exhaust system can ignite or melt some materials. Do not use sheet plastic as a dust cover. A nonporous cover will trap moisture around the mower, promoting rust and corrosion.

REMOVING FROM STORAGE

Check your mower as described in **PREPARATION AND CHECKS BEFORE USE** (page 4).

If the cylinder was coated with oil during storage preparation, the engine will smoke briefly at startup. This is normal.

TRANSPORT

BEFORE LOADING

If the engine has been running, allow it to cool for at least 15 minutes before loading the mower on the transport vehicle. A hot engine and exhaust system can burn you and can ignite some materials.

Turn the fuel valve to the OFF position (page 9). This will prevent carburetor flooding and reduce the possibility of fuel leakage.

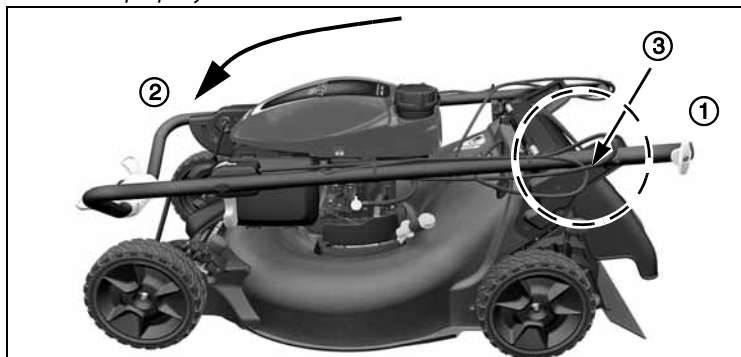


HANDLEBAR FOLDING

1. Remove the grass catcher. You can place it on top of the engine, with the catcher opening to the front.
2. Support and hold the handlebar.
3. Unlock the handlebar adjust knobs ① and fold the handlebar forward ② into the storage position.

NOTICE

Do not allow the control cables ③ to become caught, pinched, or kinked while folding the handlebar down into the storage position. The cables or engine control system may be damaged causing the lawnmower to not function properly.



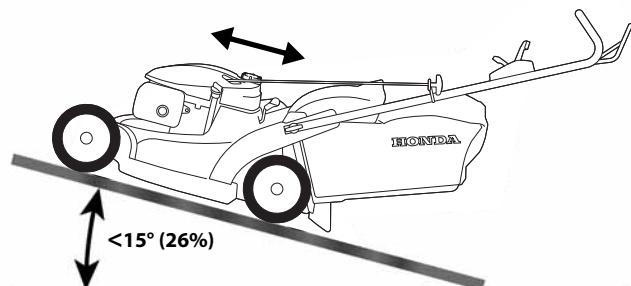
LOADING AND UNLOADING

Position the mower so all four wheels are on the bed of the transport vehicle. Tie the mower down with rope or straps, and block the wheels. Keep the tie-down rope or straps away from the controls, adjustment levers, cables, and the carburetor.

NOTICE

To prevent losing control of or damaging the mower, do not use the drive system when going up or down a loading ramp.

1. Turn the fuel valve to the OFF position.
2. Use a suitable loading ramp. Adjust the loading ramp so that it is inclined at an angle of less than 15° (26%). If a loading ramp is not available, two people should lift the mower on and off the transport vehicle while keeping the mower level.



USEFUL INFORMATION

FIND AN AUTHORIZED DEALER

Please refer to page 19.

CURRENT PARTS, OPTIONAL ATTACHMENT AND CONSUMABLES

To buy one of the original parts listed below, or any other part, please contact an authorized Honda dealer.

Item	Part Number	Notes
Air Cleaner	17211-Z8B-901	Paper
Spark Plug	98079-55846	NGK (brand) BPR5ES
Cutting Means:		
Lower	72511-VR8-M00	Always use an upper and lower cutting means as a set.
Upper	72531-VR8-M00	
Cutting-means Bolt (2)	90105-960-710	2 required, 10 x 20 mm
Bolt Washer (2)	90502-VG3-000	2 required
Wheel/tire	44710-VR8-N00	Front
	42710-VR8-N00	Rear

! WARNING

For your safety, it is strictly prohibited to install any other attachment than the ones listed above and especially designed for your lawnmowers' model and type.



TECHNICAL SPECIFICATIONS

MODEL	HRN536C1	
TYPE	VKEA	VYEA
DESCRIPTION CODE	MCHF	
FUNCTION	Cutting of grass	
GENERAL		
Dimensions L x W x h	1 550 x 575 x 1 035 mm	
Dry weight	36 kg	40 kg
Cutting width	530 mm	
Cutting height settings	27 mm, 39 mm, 51 mm, 64 mm, 76 mm, 88 mm, 100 mm	
Grass catcher capacity	70 l	
Sound pressure level at operator's ears (in accordance with EN ISO5395-2:2013 + A1:2016 + A2:2017)	84.8 dB(A)	85.4 dB(A)
Uncertainty	1 dB(A)	
Measured sound power level (in accordance with directives 2000/14/EC, 2005/88/EC)	96.68 dB(A)	96.33 dB(A)
Uncertainty	0.78 dB(A)	0.64 dB(A)
Sound power level guaranteed (in accordance with directives 2000/14/EC, 2005/88/EC)	98 dB(A)	
Vibration test (in accordance with EN ISO5395-2:2013 + A1:2016 + A2:2017) *	3.87 m/s ²	5.39 m/s ²
Uncertainty (EN12096)	0.45 m/s ²	0.63 m/s ²

ENGINE

Model	GCV170A
Type	4-stroke, single cylinder, vertical shaft
Displacement	166 cc
Bore and stroke	60 x 59 mm
Cooling	Forced air
Lubrication	Splash and spray
Compression ratio	8.0:1
Maximum operating engine speed	2 950 ⁺⁰ ₋₁₀₀ min ⁻¹
Net power **	3.6 kW
Nominal power	3.2 kW
Ignition system	Transistorized magneto
Spark plug	NGK: BPR5ES
Spark plug gap	0.7 ~ 0.8 mm
Air cleaner	Dry element type
Recommended fuel	Unleaded petrol E10
Fuel tank capacity	0.91 l
Recommended oil	SAE 5W-30, 10W-30, API SJ or later
Engine oil capacity	0.40 l *** Refill amount: 0.35 ~ 0.40 l
Carbon dioxide (CO2) emissions ****	Please refer to the CO2 values of the Honda engine at www.honda-engines-eu.com/co2

DRIVE

Type	Variable speed Smart Drive
Engine to transmission	V-belt
Main clutch	Slipping belt type
Mower speed	0 ~ 1.7 m/s
Recommended fluid	SAE 10W-30, API SN or later

* Values for a machine equipped with a grass catcher, in a grass collector position.

** The power rating of the engine indicated in this document is the net power output tested on a production engine for the engine model GCV170A and measured in accordance with SAE J1349 at 3 600 min⁻¹ (Net Power). Mass production engines may vary from this value. Actual power output for the engine installed in the final machine will vary depending on numerous factors, including the operating speed of the engine in application, environmental conditions, maintenance, and other variables.

*** Actual amount will vary due to residual oil in the engine. Always use the dipstick to confirm the actual level (see page 7).

**** This CO₂ measurement results from testing over a fixed test cycle under laboratory conditions of a(n) (parent) engine representative of the engine type (engine family) and shall not imply or express any guarantee of the performance of a particular engine.

AVANT-PROPOS

Vous venez de faire l'acquisition d'une tondeuse à gazon à conducteur à pied Honda et nous vous remercions de votre confiance.

Ce manuel a été établi pour vous familiariser avec votre tondeuse, vous permettre de l'utiliser dans les meilleures conditions possibles et d'effectuer son entretien.

Soucieux de vous faire profiter au maximum des évolutions technologiques, des nouveaux équipements ou matériaux et de notre expérience, nous améliorons régulièrement nos modèles. Pour cette raison, les caractéristiques et les informations contenues dans ce manuel peuvent être modifiées sans préavis et sans obligation de mise à jour.

En cas de problème ou pour toute question relative à la tondeuse, contactez votre concessionnaire ou un revendeur Honda agréé.

Conservez ce manuel à portée de main pour le consulter à tout moment. En cas de revente de la tondeuse, veillez à ce que le manuel soit fourni avec la machine.

Nous vous recommandons de lire la politique de confidentialité afin de bien comprendre vos droits et vos responsabilités. La politique de garantie est un document distinct fourni par votre concessionnaire.

Toute reproduction intégrale ou partielle de la présente publication est interdite sans autorisation écrite préalable.

INSTRUCTIONS DE SÉCURITÉ

Pour votre sécurité et votre confort d'utilisation, la lecture complète de ce manuel est fortement recommandée.

Faire attention aux symboles suivants et à leur signification :

AVERTISSEMENT

Signale un risque élevé de blessures corporelles graves voire mortelles en cas de non-observation des instructions.

ATTENTION:

- Signale une possibilité de blessures corporelles graves ou de détérioration de l'équipement si les instructions ne sont pas suivies.

NOTE: Source d'informations utiles.

AVIS

Le non-respect des instructions peut conduire à des dommages de votre tondeuse, d'autres biens ou de l'environnement.

L'objectif de ces messages est d'aider à éviter tout dommage sur votre tondeuse, d'autres biens ou l'environnement.

DESCRIPTION DES CODES UTILISÉS DANS CE MANUEL

HRN536C	VKEA	VYEA
Autopropulsée avec transmission à vitesse variable...	•	•
Frein de l'organe de coupe.....	•	
Rotostop.....		•

NUMÉROS DE SÉRIE DE L'ARMATURE ET DU MOTEUR

Enregistrez les numéros de série de l'armature et du moteur (page 3) dans l'espace ci-dessous. Ces numéros seront nécessaires pour commandes des pièces et pour toute demande technique ou de garantie.

Numéro de série de l'armature : _____

Numéro de série du moteur : _____

Date d'achat : ____/____/____

Honda France Manufacturing S.A.S. - Pôle 45 - Rue des Châtaigniers
45140 ORMES - FRANCE - Tous droits réservés

HONDA

MANUEL DE L'UTILISATEUR

(Instructions d'origine)
HRN536C

Tondeuse à gazon à conducteur à pied



Entretien et assistance



<https://www.hondapps.com/HME/>

TABLE DES MATIÈRES

AVANT-PROPOS	1	ENTRETIEN	11
INSTRUCTIONS DE SÉCURITÉ	1	IMPORTANCE DE L'ENTRETIEN	11
DESCRIPTION DES CODES UTILISÉS		SÉCURITÉ LORS DE L'ENTRETIEN	11
DANS CE MANUEL	1	ENTRETIEN DU FILTRE À AIR	11
NUMÉROS DE SÉRIE DE L'ARMATURE ET		REPLACEMENT DE L'HUILE	
DU MOTEUR	1	MOTEUR	12
INSTRUCTIONS DE SÉCURITÉ	2	VÉRIFICATION DE LA BOUGIE	
AUTOCOLLANTS DE SÉCURITÉ	3	D'ALLUMAGE	12
IDENTIFICATION DE LA MACHINE	3	ENTRETIEN DU PARE-ÉTINCELLES	
DESCRIPTION GÉNÉRALE	4	(ÉQUIPEMENT EN OPTION)	12
PRÉPARATION ET VÉRIFICATIONS		RETRAIT ET INSTALLATION DE	
AVANT L'UTILISATION	4	L'ORGANE DE COUPE	13
DÉBALLAGE	4	NETTOYAGE ET REMPLACEMENT DU	
MONTAGE DU GUIDON	4	BAC DE RAMASSAGE	14
VÉRIFICATION DE LA PROTECTION		VÉRIFICATION DU FONCTIONNEMENT	
ARRIÈRE	4	DE LA COMMANDE DE L'ORGANE DE	
VÉRIFICATION DU BAC DE RAMASSAGE	5	COUPE	14
VÉRIFICATION DU NIVEAU D'ESSENCE	5	PROGRAMME D'ENTRETIEN	14
VÉRIFICATION DU FILTRE À AIR	6	DÉPANNAGE	15
VÉRIFICATION DE L'ÉTAT DE L'ORGANE		LE MOTEUR NE DÉMARRE PAS	15
DE COUPE	6	PERTE DE PUISSANCE	15
RÉGLAGE DE LA HAUTEUR DE COUPE	6	VIBRATIONS	15
VÉRIFICATION DU NIVEAU D'HUILE		PROBLÈMES DE TONTE ET DE	
MOTEUR	7	RAMASSAGE	15
SÉLECTION DU MODE DE COUPE	7	REMISAGE	15
DÉMARRAGE ET ARRÊT DU MOTEUR	8	NETTOYAGE	15
PRÉCAUTIONS LIÉES À LA TONTE	8	CARBURANT	16
FRÉQUENCE D'UTILISATION	8	HUILE MOTEUR	16
DÉMARRAGE DU MOTEUR	8	CYLINDRE DU MOTEUR	16
ARRÊT DU MOTEUR	8	MISE EN REMISAGE	16
CONSEILS ET ASTUCES		SORTIE DE REMISAGE	16
D'UTILISATION	8	TRANSPORT	16
UTILISATION DE LA TONDEUSE EN		AVANT LE CHARGEMENT	16
HAUTE ALTITUDE	8	PLIAGE DU GUIDON	16
PRATIQUES SÉCURISÉES DE TONTE	9	CHARGEMENT ET DÉCHARGEMENT	17
ACTIONNEMENT DES COMMANDES DE		INFORMATIONS UTILES	17
TONTE	9	TROUVER UN CONCESSIONNAIRE	
ASTUCES DE TONTE	10	AGRÉÉ	17
		PIÈCES COURANTES, ACCESSOIRE EN	
		OPTION ET CONSOMMABLES	17
		SPÉCIFICATIONS TECHNIQUES	17

INSTRUCTIONS DE SÉCURITÉ

Pour votre sécurité et votre confort d'utilisation, la lecture complète de ce manuel est fortement recommandée.

Faire attention aux symboles suivants et à leur signification :



Signale un risque élevé de blessures corporelles graves voire mortelles en cas de non-observation des instructions.

ATTENTION:

- Signale une possibilité de blessures corporelles graves ou de détérioration de l'équipement si les instructions ne sont pas suivies.

NOTE: Source d'informations utiles.



Ce symbole appelle à la prudence lors de la réalisation de certaines opérations. Se reporter aux instructions de sécurité ci-après, au(x) point(s) indiqué(s) dans l'encadré.

FORMATION

- A1. Lire attentivement les instructions. Se familiariser avec les commandes et l'utilisation correcte de l'équipement avant de l'utiliser. Savoir comment arrêter rapidement le moteur.
- A2. Utiliser la tondeuse aux fins pour lesquelles elle a été conçue, à savoir la tonte et le ramassage du gazon. Toute autre utilisation peut être dangereuse ou risquer d'endommager l'équipement.
- A3. Ne jamais laisser d'enfants ou de personnes non familiarisées avec les présentes instructions utiliser la tondeuse. Les règlements locaux peuvent restreindre l'âge de l'opérateur.
- A4. Ne jamais utiliser la tondeuse lorsque des personnes, notamment des enfants, ou des animaux se trouvent à proximité.
Ne jamais utiliser la machine en cas de fatigue ou de maladie, ou après absorption de médicaments, de drogues, d'alcool ou de substances dangereuses susceptibles d'affecter les réflexes et la concentration de l'utilisateur.
Ne jamais utiliser la machine en cas de risque d'intempéries, telles que des éclairs ou une tempête.
- A5. Ne pas oublier que le propriétaire ou l'utilisateur est responsable des accidents ou dangers survenant à d'autres personnes ou à leur propriété.
- A6. Ne jamais tenter de modifier la tondeuse. Ceci risquerait de provoquer un accident et d'endommager la tondeuse. Toute altération du moteur entraîne l'annulation de la réception UE de ce moteur.
 - Ne pas raccorder d'extension sur le silencieux.
 - Ne pas modifier le système d'admission.
 - Ne pas ajuster le régulateur.
- A7. La machine est équipée de dispositifs de sécurité qui ne doivent jamais être modifiés ni déposés, dans le cas contraire, la garantie pourrait être annulée et le fabricant serait déchargé de toute responsabilité. Toujours vérifier que les dispositifs de sécurité fonctionnent avant d'utiliser la machine.

PREPARATION

- B1. Lors de l'utilisation de la machine, toujours porter de robustes chaussures de sécurité à semelle antidérapante et un pantalon long. Ne pas utiliser la machine les pieds nus ou avec des chaussures ouvertes.
Éviter de porter des chaînes, des bracelets ou des vêtements flottants avec des sections amples, des lacets ou des cravates. Les cheveux longs doivent être attachés. Toujours porter une protection auditive.
- B2. Bien inspecter la zone où la machine doit être utilisée et enlever tous les objets susceptibles d'être projetés par la machine (pierres, branches, fils, os, etc.).
- B3. **ATTENTION** - L'essence est une substance hautement inflammable.
 - Ranger l'essence dans des conteneurs spécialement conçus à cet effet.
 - Faire le plein à l'extérieur seulement, avant de mettre le moteur en marche, et ne pas fumer en faisant le plein ou en manipulant l'essence.
 - Ne jamais retirer le bouchon du réservoir d'essence ni faire l'appoint d'essence avec le moteur en marche ou chaud.
 - Si de l'essence a été renversée, ne pas tenter de mettre le moteur en marche, mais éloigner la machine de la zone du renversement et éviter de créer une source d'inflammation tant que les vapeurs d'essence ne se sont pas dissipées.
 - Bien resserrer les bouchons du réservoir d'essence et du conteneur.
 - Avant de pencher la tondeuse pour intervenir sur l'organe de coupe ou vidanger l'huile, vider le réservoir de carburant.
- B4. Remplacer les silencieux défectueux.
- B5. Avant utilisation, toujours effectuer un contrôle visuel de la machine et s'assurer en particulier que l'organe de coupe, les boulons de l'organe de coupe et l'assemblage d'organes de coupe ne sont ni usés ni endommagés. En cas d'usure ou d'endommagement, remplacer ensemble l'organe de coupe et les boulons de l'organe de coupe afin de préserver l'équilibre.

FONCTIONNEMENT

- C1. Ne pas utiliser le moteur dans un endroit renfermé où peuvent s'accumuler des fumées de monoxyde de carbone toxiques.
- C2. Ne tondre que le jour ou avec une bonne lumière artificielle. Veiller à assurer la conformité aux réglementations légales qui peuvent varier d'une région à l'autre.
- C3. En cas de risque d'intempéries, telles que des éclairs ou une tempête, arrêter l'utilisation.
- C4. Dans la mesure du possible, éviter d'utiliser l'équipement dans de l'herbe mouillée.
- C5. Pendant la tonte, toujours garder la distance de sécurité par rapport à l'organe de coupe, qui est fournie par la longueur du guidon.
- C6. Ne pas courir. Ne pas se laisser entraîner par la tondeuse.
- C7. Toujours faire attention à vos pas sur une pente. Tondre en travers de la face des pentes, jamais vers le haut ni le bas.
- C8. Ne pas oublier que l'opérateur ou l'utilisateur est responsable des accidents ou événements inattendus pouvant être occasionnés à des tiers ou à leur propriété. L'utilisateur a la responsabilité de vérifier les risques liés au sol à travailler, et de prendre toutes les précautions nécessaires pour assurer sa propre sécurité et celle des autres, notamment sur un sol en pente, accidenté, glissant ou instable, ou à proximité de trous, de fossés et de talus.
- C9. Ne pas tondre sur des pentes de plus de 20° (36 %).
- C10. Faire très attention en cas de tirage de la tondeuse vers soi.
- C11. Arrêter l'organe de coupe si la tondeuse doit être inclinée pour être transportée en cas de passage sur des surfaces autres que de l'herbe, et en cas de transport de la tondeuse vers et depuis la zone à tondre.
- C12. Ne jamais faire fonctionner la tondeuse avec des protections défectueuses ou sans les dispositifs de sécurité, tels que le capot d'éjection et/ou les bacs de ramassage.
- C13. Ne pas modifier les réglages du régulateur de moteur ni emballer le moteur.
- C14. Avant de faire démarrer le moteur, désengager la commande d'organe de coupe (modèles équipés d'un Rotostop) et l'embrayage d'avancement (modèles autopropulsés).
- C15. Mettre soigneusement le moteur en marche conformément instructions ; garder les pieds éloignés de l'organe de coupe.
- C16. Ne pas incliner la tondeuse pendant le démarrage.
Faire démarrer la tondeuse sur une surface horizontale sans herbes hautes ni obstacles.
- C17. Garder les mains et les pieds à distance des pièces rotatives.
Ne pas mettre le moteur en marche en se tenant devant l'ouverture d'éjection.
- C18. Ne jamais soulever ou transporter une tondeuse avec le moteur en marche.
- C19. Arrêter le moteur, et déconnecter le capuchon de bougie d'allumage dans les cas suivants :
 - Avant toute intervention sous le carter de coupe ou dans la goulotte d'éjection.
 - Avant un contrôle, un nettoyage ou une intervention sur la tondeuse.
 - Après un choc contre un objet étranger. Inspecter la tondeuse pour vérifier si elle est endommagée. Effectuer les réparations nécessaires avant toute nouvelle utilisation de la tondeuse.
 - Si la tondeuse se met à vibrer de façon anormale. Rechercher immédiatement la cause des vibrations et effectuer la réparation nécessaire.
- C20. Arrêter le moteur dans les cas suivants :
 - Si la tondeuse doit être laissée sans surveillance.
 - Avant de faire le plein d'essence.
- C21. Arrêter l'organe de coupe (modèles équipés d'un Rotostop) ou le moteur dans les cas suivants :
 - Lors de la pose ou de la dépose du bac de ramassage.
 - Avant de régler la hauteur de coupe.
- C22. Réduire le réglage des gaz lorsque le moteur est arrêté. Fermer le robinet d'arrivée d'essence en le tournant.
- C23. L'utilisation d'accessoires autres que ceux recommandés dans ce manuel peut occasionner des dommages sur la tondeuse, lesquels ne sont pas couverts par la garantie.
- C24. **PRÉCAUTION**
Les niveaux sonores et vibratoires indiqués dans le présent manuel sont les valeurs maximales pour l'utilisation de la machine. L'utilisation d'un organe de coupe déséquilibré, une vitesse excessive de mouvement et un entretien insuffisant affectent fortement les émissions sonores et les vibrations. Il est par conséquent nécessaire de mettre en œuvre des mesures préventives et d'éliminer tous les risques de dommages résultant des niveaux sonores élevés et les contraintes dues aux vibrations ; s'assurer que l'entretien de la machine est correctement réalisé, porter un casque antibruit. Prendre des pauses pendant le travail.

ENTRETIEN ET STOCKAGE

- D1. Garder tous les écrous, boulons et vis serrés pour être sûr que l'équipement est en bon état de travail. Un entretien régulier est essentiel pour garantir la sécurité de l'utilisateur et maintenir un haut niveau de performance de la machine.
- D2. Ne jamais remiser l'équipement avec de l'essence dans le réservoir à l'intérieur d'un bâtiment dans lequel les vapeurs sont susceptibles d'entrer en contact avec une flamme nue, une étincelle ou une source de haute température.
- D3. Laisser refroidir le moteur avant de remiser dans un enclos.
- D4. Pour réduire les risques d'incendie, garder la tondeuse, notamment le moteur et le silencieux, et la zone de stockage de l'essence exempts d'herbes, de feuilles et de graisse excessive.
Ne pas laisser de conteneur rempli d'herbe coupée dans ou à proximité d'un bâtiment.
- D5. Si le réservoir d'essence doit être vidangé, procéder à l'extérieur, avec un moteur froid.
- D6. Vérifier fréquemment l'état du bac de ramassage (absence d'usure et de détérioration).
- D7. Ne pas utiliser la machine avec des pièces usées ou endommagées. Les pièces doivent être remplacées, pas réparées. Remplacer toute pièce usée ou détériorée par des pièces Honda d'origine. L'organe de coupe doit toujours porter la marque Honda et le numéro de référence. Des pièces équivalentes mais de qualité inférieure risquent de détériorer la machine et peuvent porter préjudice à la sécurité.
- D8. Porter des gants épais lors du démontage ou du remontage de l'organe de coupe, et pour nettoyer le carter de coupe. Lors du serrage ou du desserrage des vis de l'organe de coupe, utiliser une cale en bois pour éviter la rotation de l'organe de coupe.
- D9. Toujours veiller à l'équilibrage correct de l'organe de coupe lors de l'affûtage.

AUTOCOLLANTS DE SÉCURITÉ

Cet autocollant avertit des dangers potentiels qui peuvent entraîner des blessures graves. Bien comprendre sa signification. Si l'autocollant se détache ou est illisible, contacter votre concessionnaire en vue d'un remplacement.

Lettre	Signification
A	<p>1. Avertissement : Lire le manuel de l'utilisateur avant d'utiliser la tondeuse.</p> <p>2. Risque de projection : Garder les tierces personnes hors de la zone pendant l'utilisation.</p> <p>3. Risque de coupure. Organe de coupe rotatif : Ne pas introduire les mains ni les pieds dans le carter de coupe. Débrancher le capuchon de bougie avant toute opération d'entretien ou de réparation.</p> <p>4. Ne pas utiliser la machine sans la protection d'éjection ou le bac de ramassage.</p>

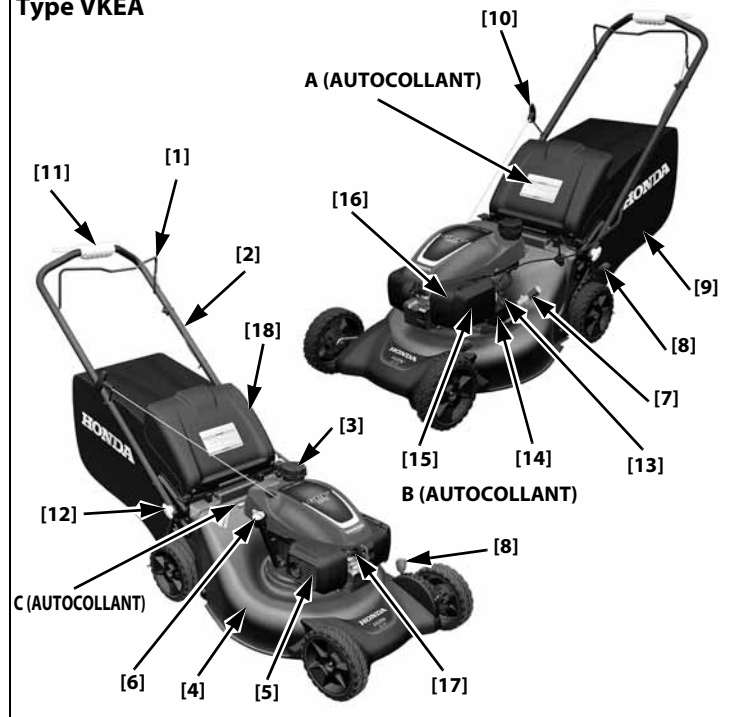
B	<p>5. Avertissement : Lire le manuel de l'utilisateur avant d'utiliser la tondeuse.</p> <p>6. Le moteur dégage du monoxyde de carbone qui est un gaz toxique. Ne jamais le mettre en marche dans un lieu clos.</p> <p>7. L'essence est une substance hautement inflammable. Arrêter le moteur avant de faire l'appoint en carburant.</p>
---	--

IDENTIFICATION DE LA MACHINE

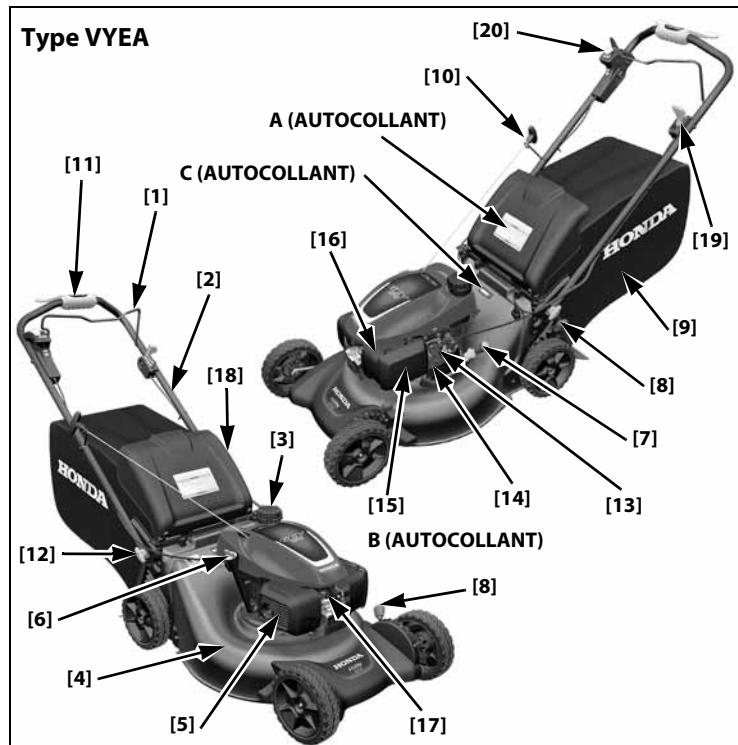
Lettre	Signification
C	<p>1. Niveau de puissance acoustique</p> <p>2. Marquage CE</p> <p>3. Marque de conformité en option</p> <p>4. Marque de conformité évaluée au Royaume-Uni (pour le Royaume-Uni)</p> <p>5. Puissance nominale en kilowatts</p> <p>6. Régime moteur recommandé en min^{-1}</p> <p>7. Mois et année de fabrication</p> <p>8. Poids en kilogrammes (avec réservoirs vides)</p> <p>9. Numéro de série de l'armature (Type et numéro de série de la déclaration de conformité)</p> <p>10. Modèle - Type</p> <p>11. Nom et adresse du représentant agréé</p> <p>12. Nom et adresse du fabricant</p>

DESCRIPTION GÉNÉRALE

Type VKEA



Type VYEA



1	Levier de commande de l'organe de coupe (Démarre et arrête l'organe de coupe)	11	Commande Smart Drive
2	Guidon	12	Molette de réglage du guidon (2)
3	Bouchon du réservoir d'essence	13	Robinet d'essence
4	Carter de coupe	14	Numéro de série du moteur
5	Silencieux	15	Filtre à air
6	Bouchon de remplissage d'huile	16	Carburateur
7	Molette de commande de coupe	17	Bouchon de bougie
8	Levier de réglage de la hauteur de coupe (2)	18	Protection d'éjection
9	Bac de ramassage	19	Levier de commande des gaz (VYEA)
10	Lanceur	20	Bouton d'arrêt de la rotation (VYEA)

PRÉPARATION ET VÉRIFICATIONS AVANT L'UTILISATION

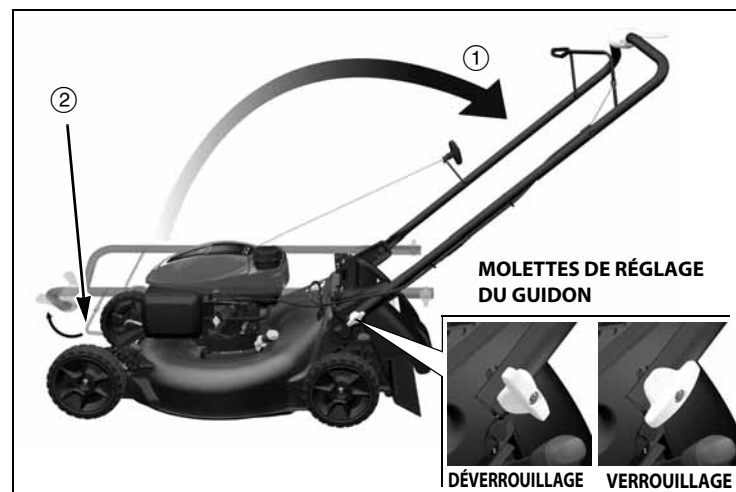


DÉBALLAGE

Retirer le carton autour du guidon.

MONTAGE DU GUIDON

Mettre les molettes de réglage du guidon en position déverrouillée, puis lever avec soin le guidon en position de tonte ①. Le type VKEA requiert que le levier de commande de l'organe de coupe ② soit tiré contre le guidon.



Aligner les molettes de réglage sur l'un des deux trous de chaque support de guidon. Le réglage des molettes sur les trous inférieurs entraîne le levage du guidon sur sa position la plus haute.

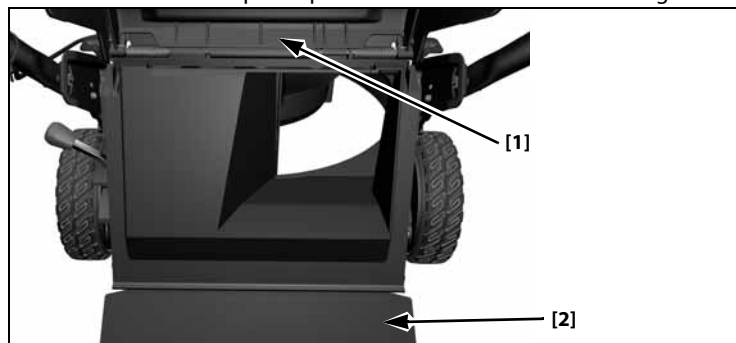
Tourner la molette de réglage du guidon de 90 degrés en position verrouillée, en s'assurant que les deux côtés sont positionnés à la même hauteur.

AVIS

Ne pas coincer, pincer ou vriller les câbles de commande lors du dépliage du guidon. Les câbles ou le système de commande du moteur risquent d'être endommagés.

VÉRIFICATION DE LA PROTECTION ARRIÈRE

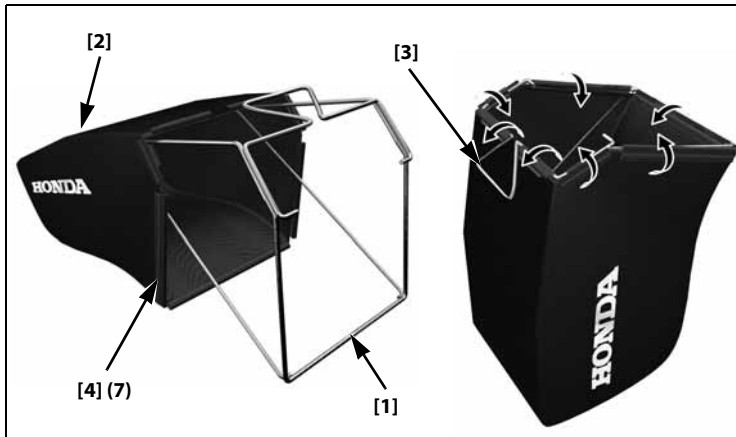
En cas d'utilisation normale, la protection arrière est susceptible de se détériorer et de s'user. Retirer le bac de ramassage et lever la protection d'éjection [1] pour vérifier l'absence de fissures et de déchirures sur la protection arrière [2]. En cas d'usure excessive de la protection arrière, il convient de la faire remplacer par votre concessionnaire Honda agréé.



VÉRIFICATION DU BAC DE RAMASSAGE



1. Installer l'armature montée [1] dans le bac de ramassage en tissu [2], en laissant visible la poignée du bac de ramassage [3].
2. Fixer les sept attaches en plastique [4] pour fixer le bac en tissu sur l'armature.



Une tondeuse fonctionne comme un aspirateur ; elle souffle de l'air dans le bas, ce qui emprisonne l'herbe coupée. Il convient de toujours vider le bac de ramassage avant qu'il ne soit rempli à la limite de sa capacité. Les performances du bac de ramassage diminuent une fois que le bac est rempli à environ 90 %. De même, le bac est plus facile à vider lorsqu'il n'est pas complètement plein.

Inspection

En cas d'utilisation normale, le matériau du bac de ramassage est susceptible de se détériorer et de s'user.

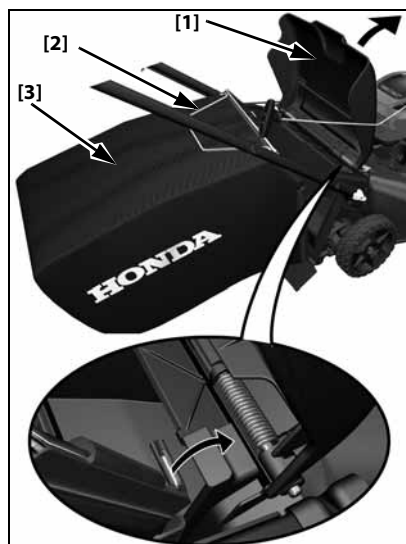
AVIS

Inspecter régulièrement le bac de ramassage à la recherche de déchirures, de trous et d'une usure excessive. Déterminer s'il convient de le remplacer. S'assurer que le nouveau bac est conforme aux spécifications d'origine.

S'il convient de remplacer le bac de ramassage, vous pouvez procéder au retrait et à l'installation du bac (page 14).

Installation

1. Lever la protection d'éjection [1] et utiliser la poignée du bac de ramassage [2] pour accrocher ce dernier [3] sur le carter de coupe comme indiqué.
2. Relâcher la protection d'éjection pour fixer le bac de ramassage.



Retrait

1. Lever la protection d'éjection, saisir la poignée du bac de ramassage et retirer ce dernier.
2. Relâcher la protection d'éjection.
3. Lorsque le bac de ramassage est libéré de la protection d'éjection, il est possible de le lever à travers l'ouverture du guidon, ou il est possible de le retirer vers l'arrière de la tondeuse sous le guidon.

VÉRIFICATION DU NIVEAU D'ESSENCE



Ce moteur est certifié pour fonctionner avec de l'essence sans plomb avec un indice d'octane de 91 au minimum.

Spécification(s) du carburant nécessaires pour le maintien des performances du système de régulation des émissions : carburant E10 référencé dans la réglementation UE.

Nous recommandons de faire l'appoint en carburant après chaque utilisation pour réduire l'air présent dans le réservoir d'essence.

Faire l'appoint en carburant dans une zone bien aérée avant de démarrer le moteur. Si le moteur a tourné, le laisser refroidir. Ne jamais faire l'appoint en carburant de la tondeuse à l'intérieur d'un bâtiment où des vapeurs d'essence pourraient atteindre des flammes ou des étincelles.

Il est possible d'utiliser de l'essence sans plomb ordinaire qui ne contient pas plus de 10 % d'éthanol (E10) ou 5 % de méthanol par volume. En outre, le méthanol doit contenir des cosolvants et des inhibiteurs de corrosion. L'utilisation de carburants dont la teneur en éthanol ou en méthanol est supérieure à celle indiquée ci-dessus peut entraîner des problèmes de démarrage et/ou de performances. Cela peut également endommager les pièces en métal, en caoutchouc et en plastique du système d'alimentation. En outre, l'éthanol est hygroscopique, ce qui signifie qu'il attire et retient l'eau dans le système d'alimentation. Les dommages au moteur ou les problèmes de performances résultant de l'utilisation d'un carburant présentant des pourcentages d'éthanol ou de méthanol supérieurs à ceux indiqués ci-dessus ne sont pas couverts par la garantie. L'utilisation du carburant indiqué ci-dessus est nécessaire pour garantir les performances du système de régulation des émissions.

Si votre équipement est utilisé rarement ou par intermittence (plus de 4 semaines avant la prochaine utilisation), se référer à la section *Carburant* du chapitre REMISAGE (page 16) pour obtenir des informations supplémentaires sur la détérioration du carburant.

AVERTISSEMENT

L'essence est une substance hautement inflammable et explosive.

La manipulation du carburant peut entraîner des brûlures ou des blessures graves.

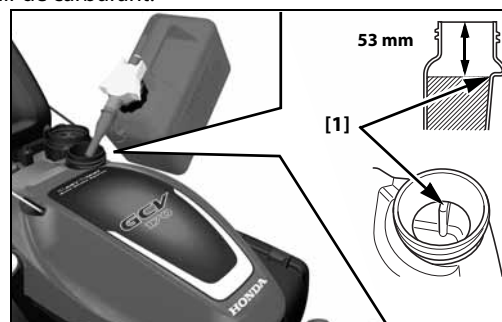
- Arrêter le moteur et le laisser refroidir.
- Tenir hors de portée de toute source de chaleur, étincelle et flamme.
- Ne manipuler le carburant qu'à l'extérieur.
- Essuyer immédiatement tout déversement.

Ne jamais utiliser d'essence éventée ou contaminée ou un mélange huile/essence. Éviter de laisser pénétrer des saletés ou de l'eau dans le réservoir d'essence.

AVIS

Le carburant peut endommager la peinture et le plastique. Attention à ne pas déverser de carburant lors du remplissage du réservoir d'essence. Les dommages dus au carburant déversé ne sont pas couverts par la garantie.

Retirer le bouchon du réservoir et vérifier le niveau d'essence. Remplir le réservoir jusqu'à la limite supérieure [1] si le niveau d'essence est bas. Faire l'appoint en carburant avec précaution pour éviter tout déversement de carburant. Ne pas remplir excessivement ; le goulot de remplissage ne doit pas contenir de carburant.



Après l'appoint en carburant, bien serrer le bouchon du réservoir d'essence. Déplacer la tondeuse à au moins 3 m de la source et de l'emplacement d'appoint avant de démarrer le moteur.

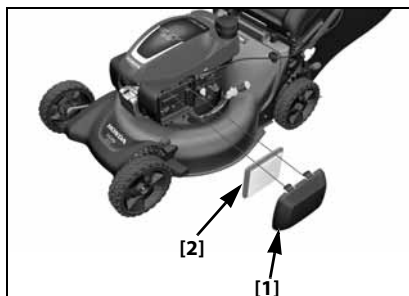
Conteneur de remisage du carburant

Remiser l'essence dans un conteneur en plastique propre et étanche approuvé pour le remisage du carburant. Fermer l'évent (le cas échéant) en l'absence d'utilisation, et remiser le conteneur à l'abri de la lumière directe du soleil. Si le carburant du conteneur ne doit pas être utilisé pendant plus de 3 mois, nous recommandons d'ajouter un stabilisateur de carburant lors du remplissage du conteneur.



VÉRIFICATION DU FILTRE À AIR

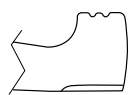
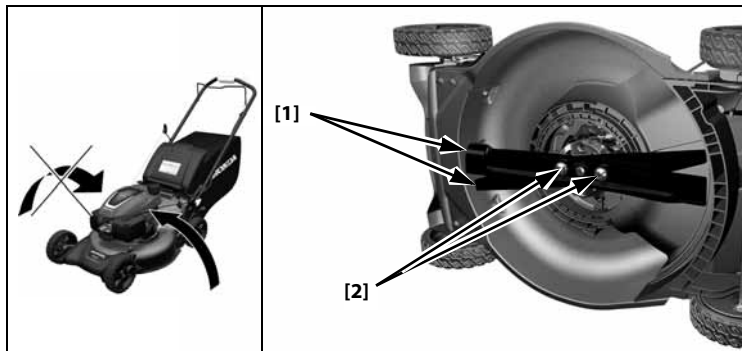
Retirer le couvercle [1]. S'assurer que le filtre [2] est propre et en bon état. Un filtre à air encrassé restreint le débit d'air vers le carburateur, ce qui réduit les performances du moteur. Se référer à page 11 pour l'entretien du filtre à air.



VÉRIFICATION DE L'ÉTAT DE L'ORGANE DE COUPE



1. Mettre le robinet d'essence en position OFF (page 9) et déconnecter le bouchon de bougie de la bougie (page 12).
2. Pencher la tondeuse vers la droite pour que le bouchon du réservoir de carburant soit vers le haut. Cela permet d'éviter toute fuite de carburant, tout suintement d'huile moteur dans le filtre à air et tout démarrage difficile.
3. Inspecter l'organe de coupe [1] et les boulons de ce dernier [2] à la recherche de dommages, fissures et usure excessive, rouille ou corrosion.



NORMAL



DÉFORMÉ



USURE EXCESSIVE



FISSURÉ

⚠ AVERTISSEMENT

Un organe de coupe usé, fissuré ou endommagé peut se rompre, et des parties de l'organe de coupe endommagé peuvent devenir de dangereux projectiles. Les objets éjectés peuvent entraîner des blessures graves. Inspecter régulièrement l'organe de coupe, et ne pas utiliser la tondeuse avec un organe de coupe usé ou endommagé.

Un organe de coupe émoussé peut être affûté, mais un organe de coupe usé, déformé, fissuré ou autrement endommagé doit être remplacé. Un organe de coupe usé ou endommagé peut se rompre et entraîner l'éjection de parties de l'organe de coupe de la tondeuse.

Lorsque l'organe de coupe doit être affûté ou remplacé, confier la tondeuse à un revendeur Honda agréé. Autrement, si vous disposez d'une clé dynamométrique, il est possible de retirer et d'installer l'organe de coupe.

Vérifier que les boulons de l'organe de coupe sont bien serrés (page 13).

RÉGLAGE DE LA HAUTEUR DE COUPE



Le côté gauche de la tondeuse est équipé de deux leviers de réglage de la hauteur de coupe. Le levier [1] sur la roue avant gauche permet de régler la hauteur des deux roues avant, et le levier [2] sur la roue arrière gauche permet de régler la hauteur des deux roues arrière. Les deux leviers peuvent être réglés sur l'un des sept réglages. La hauteur réelle de l'herbe coupée varie en fonction de l'état de la pelouse et du sol.

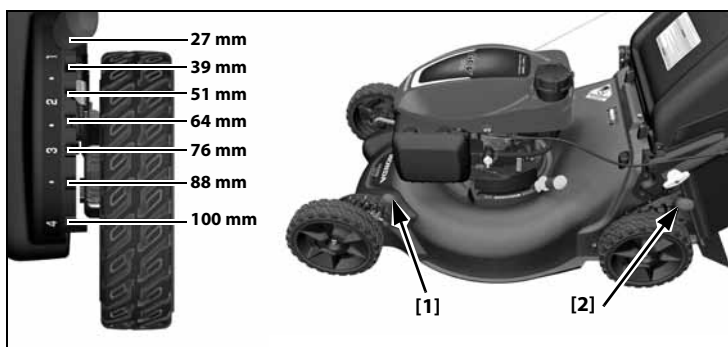
S'assurer que le moteur ne tourne pas lors du réglage de la hauteur de coupe.

Mettre les leviers de réglage avant et arrière à la même position, vers l'avant pour l'herbe haut et vers l'arrière pour l'herbe courte.

Vérifier les paramètres de hauteur de coupe du carter de coupe, et s'assurer que les deux leviers de réglage [1] [2] sont réglés sur la même position de hauteur de coupe.

Pour régler la hauteur de coupe, déplacer en premier le levier de réglage de la hauteur de coupe arrière. Saisir le guidon et lever légèrement la tondeuse, puis tirer le levier de réglage vers la roue et le placer à la hauteur souhaitée. Régler le levier de réglage de la hauteur de coupe avant de la même manière que le réglage de hauteur arrière.

Si vous n'êtes pas sûr(e) de la hauteur de coupe à sélectionner, démarrer avec un paramètre élevé et contrôler l'aspect de la pelouse après avoir tondu une petite surface. Puis, procéder à un nouveau réglage de la hauteur de coupe si nécessaire.



Consulter une pépinière ou une jardinerie locale pour obtenir des recommandations sur la hauteur de coupe, et des conseils sur les types spécifiques d'herbes et les conditions de culture de votre région.



ASSEZ LONG

En regardant de près, l'herbe comporte des tiges et des feuilles. En coupant les feuilles, la surface de la pelouse est éraflée. Il convient de laisser l'herbe se régénérer entre les tontes. La tondeuse fonctionnera mieux, et la pelouse aura un meilleur aspect.



TROP COURT

Si l'herbe est trop haute, la tondre une fois à la hauteur de coupe la plus haute, puis tondre à nouveau dans 2 ou 3 jours. Ne pas tondre plus d'un tiers de la hauteur totale de l'herbe en une seule tonte, ou des tâches brunes risquent de se développer.

VÉRIFICATION DU NIVEAU D'HUILE MOTEUR

La tondeuse est expédiée **SANS HUILE** dans le moteur.

Ajouter suffisamment d'huile SAE 5W-30, 10W-30 de catégorie de service API SJ ou ultérieure pour amener le niveau d'huile entre les repères de limite supérieure [2] et de limite inférieure [3] de la jauge [1] comme indiqué.

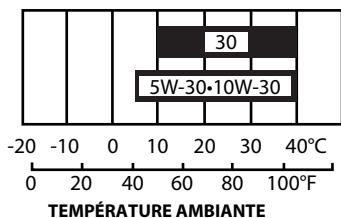
Ne pas remplir excessivement le moteur d'huile. Si le moteur est rempli excessivement, l'excès d'huile peut passer dans le carter de filtre à air et le filtre à air.



Vérifier le niveau d'huile moteur avec le moteur à l'arrêt et la tondeuse sur une surface plane.

Utiliser de l'huile moteur 4 temps respectant ou dépassant les exigences de la catégorie de service API SJ ou ultérieure. Toujours vérifier l'étiquette de service API sur le conteneur d'huile pour s'assurer qu'elle inclut les lettres SJ ou ultérieures.

L'huile SAE 5W-30, 10W-30 est recommandée pour une utilisation générale. Les autres viscosités indiquées dans le tableau peuvent être utilisées lorsque la température moyenne de votre région est comprise dans la plage indiquée.

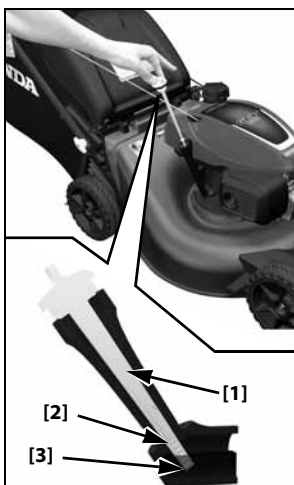


Spécifications de l'huile lubrifiante nécessaire pour le maintien des performances du système de régulation des émissions : huile d'origine Honda.

AVIS

- Faire fonctionner du moteur avec un niveau d'huile bas peut entraîner des dommages.
- L'utilisation d'huile non détergente peut réduire la durée de vie du moteur, et l'utilisation d'huile moteur 2 temps peut endommager le moteur.

1. Retirer le bouchon de remplissage d'huile/la jauge [1], et essuyer la jauge.
2. Insérer la jauge dans le goulot de remplissage. Ne pas la visser. Retirer la jauge et vérifier le niveau d'huile.
3. Si le niveau d'huile est proche du repère de niveau inférieur [3], faire un appoint en huile recommandée jusqu'au repère de limite supérieure [2]. Ne pas le remplir excessivement.
4. Installer et bien serrer le bouchon de remplissage/la jauge [1].

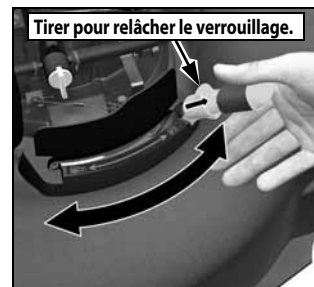


SÉLECTION DU MODE DE COUPE

La commande de coupe peut être réglée sur la position RAMASSAGE ou PAILLAGE pour obtenir les résultats de tonte souhaités.

Régler le levier de commande de coupe sur la position de ramassage (porte à volet entièrement ouverte) ou de paillage (porte à volet entièrement fermée) (page 7).

Pour régler la commande de coupe, relâcher le verrouillage en le tirant vers l'extrémité du levier, puis mettre le levier dans la position souhaitée. Relâcher le verrouillage et le laisser s'enclencher dans la rainure.



Il est normal que de l'herbe s'accumule dans l'ouverture d'éjection lorsque la commande de coupe est en position PAILLAGE. Pour retirer l'herbe, fermer la protection d'éjection, régler la commande de coupe en position RAMASSAGE, engager le levier de commande de l'organe de coupe et démarrer le moteur.

S'il est difficile de déplacer la commande de coupe ou si le levier ne se verrouille pas entièrement :

- Avec le moteur à l'arrêt, lever la protection d'éjection et retirer l'herbe coupée de la porte à volet.
- À l'aide d'un tuyau d'arrosage et d'un embout, arroser autour et en dessous du levier de commande de coupe et de l'ensemble de couvercle pour retirer l'herbe coupée.

AVIS

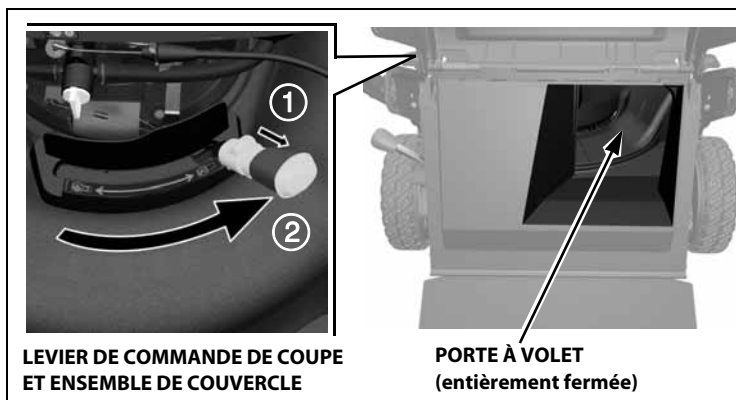
Toujours arrêter le moteur et déconnecter le bouchon de bougie avant de lever la protection d'éjection pour regarder ou nettoyer la porte coulissante. Cela empêche tout contact avec l'organe de coupe rotatif et l'éjection d'objets dans la goutte d'éjection.

Il est normal que de l'herbe s'accumule dans l'ouverture d'éjection lorsque la commande de coupe est entièrement fermée. Pour retirer l'herbe, fermer la protection d'éjection, ouvrir entièrement la commande de coupe et démarrer le moteur.

Si une résistance élevée est perçue lors du déplacement du levier de commande de coupe d'un côté à l'autre, un excès d'herbe peut s'être accumulé sur le haut de la porte coulissante.

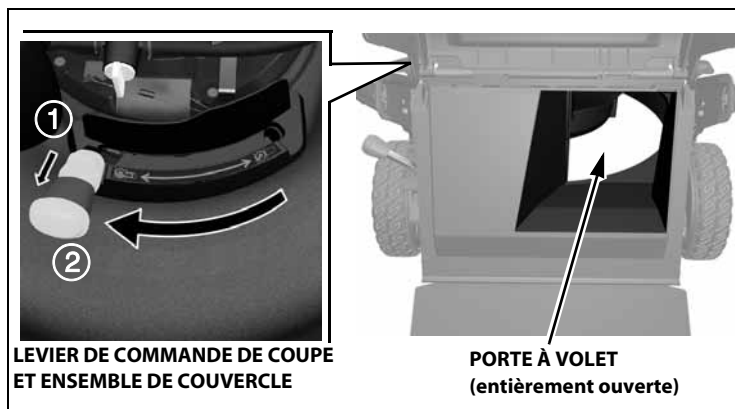
Paillage

Relâcher le verrouillage ①, puis mettre le levier de commande de coupe en position PAILLAGE ②.



Ramassage ou éjection arrière

Relâcher le verrouillage 1, puis mettre le levier de commande de coupe en position RAMASSAGE ②.



Pour éjecter l'herbe coupée vers l'arrière, retirer le bac de ramassage et laisser le levier de commande de coupe en position RAMASSAGE.



DÉMARRAGE ET ARRÊT DU MOTEUR



PRÉCAUTIONS LIÉES À LA TONTE

Avant d'utiliser la tondeuse pour la première fois, il convient de consulter les sections *INSTRUCTIONS DE SÉCURITÉ* (page 2) et *PRÉPARATION ET VÉRIFICATIONS AVANT L'UTILISATION* (page 4).

Même si vous avez utilisé d'autres tondeuses, il convient de prendre le temps de se familiariser avec le fonctionnement de cette tondeuse et de s'entraîner dans une zone sécurisée pour tester vos compétences.

Pour votre sécurité, éviter de démarrer et de faire tourner le moteur dans un endroit fermé comme un garage. L'échappement de la tondeuse contient du monoxyde de carbone toxique pouvant s'accumuler rapidement dans un endroit fermé et entraîner des maladies ou le décès.

FRÉQUENCE D'UTILISATION

Si votre équipement est utilisé rarement ou par intermittence (plus de 4 semaines avant la prochaine utilisation), se référer à la section *Carburant* du chapitre *REMISAGE* (page 16) pour obtenir des informations supplémentaires sur la détérioration du carburant.

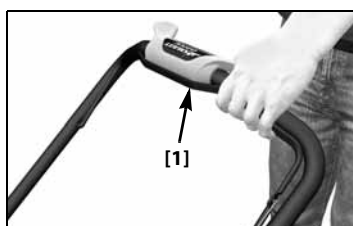
DÉMARRAGE DU MOTEUR

1. Mettre le robinet d'essence en position ON (ouvert) (page 9).

2. **Type VKEA :**

Tirer le levier de commande de l'organe de coupe [1] vers l'arrière et le maintenir contre le guidon.

Le levier doit être contre le guidon pour démarrer le moteur. L'organe de coupe commence à tourner lorsque le levier est contre le guidon et que la poignée du lanceur est tirée.



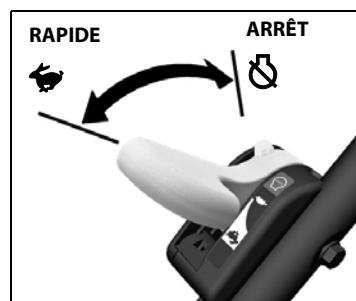
Type VYEA :

Mettre le levier de commande des gaz en position RAPIDE.

3. Tirer légèrement la poignée du lanceur jusqu'à percevoir une résistance, puis la tirer vivement. Relâcher doucement la poignée du lanceur.

Type VKEA : Maintenir le levier de commande de l'organe de coupe contre le guidon ; le moteur s'arrête lorsque le levier de commande de l'organe de coupe est relâché.

Pour assurer un redémarrage aisé et des performances optimales du système d'étrangleur automatique, commencer à tondre dès que le moteur démarre et laisser le moteur fonctionner pendant au moins trois minutes avant de l'arrêter.



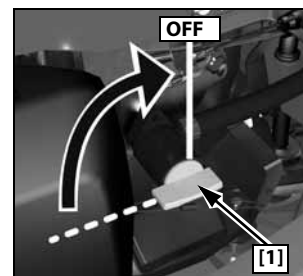
ARRÊT DU MOTEUR

1. **Type VKEA :** Relâcher le levier de commande de l'organe de coupe pour arrêter le moteur et la rotation de l'organe de coupe.

Type VYEA : Relâcher le levier de commande de l'organe de coupe pour arrêter la rotation de l'organe de coupe, puis mettre le levier de commande des gaz en position ARRÊT.

2. Lorsque la tondeuse n'est pas utilisée, mettre le robinet d'essence [1] en position OFF.

3. En cas d'inutilisation de l'équipement pendant 3 à 4 semaines, nous recommandons de vider le carburant du carburateur du moteur. Pour ce faire, il convient de laisser le robinet d'essence en position OFF, de redémarrer le moteur et de laisser s'écouler le carburant. See "REMISAGE" on page 15 pour des périodes d'inactivité supérieures à 4 semaines.



CONSEILS ET ASTUCES D'UTILISATION

UTILISATION DE LA TONDEUSE EN HAUTE ALTITUDE

En haute altitude, le mélange air/carburant standard du carburateur est trop riche. Les performances diminuent, et la consommation de carburant augmente. Un mélange très riche encrasse également la bougie et entraîne un démarrage difficile.

Les performances en haute altitude peuvent être améliorées en apportant des modifications spécifiques au carburateur. Si la tondeuse est toujours utilisée à une altitude supérieure à 610 mètres, il convient de confier le carburateur à un concessionnaire Honda agréé pour qu'il apporte ces modifications.

Même en cas de modification du carburateur, la puissance du moteur diminue d'environ 3,5 % tous les 300 mètres d'augmentation de l'altitude. L'effet de l'altitude sur la puissance est supérieur si aucune modification n'est apportée au carburateur.

AVIS

Lorsque le carburateur a été modifié pour un fonctionnement en haute altitude, le mélange air-carburant est trop maigre pour une utilisation en basse altitude. Un fonctionnement à une altitude inférieure à 610 mètres avec un carburateur modifié peut entraîner une surchauffe du moteur et des dommages graves au moteur. Pour une utilisation à basse altitude, il convient de confier le carburateur à un concessionnaire Honda agréé pour qu'il rétablisse les spécifications d'usine d'origine.

PRATIQUES SÉCURISÉES DE TONTE

Pour votre sécurité, maintenir les quatre roues sur le sol, et veiller à ne pas perdre pied et ni contrôle de la tondeuse. Tenir fermement le guidon et marcher, ne jamais courir, avec la tondeuse. Attention lors de la tonte sur un sol inégal ou accidenté.

Si la tondeuse est bloquée, ne pas la taper ni la pousser avec le pied. Utiliser le guidon pour contrôler la tondeuse.

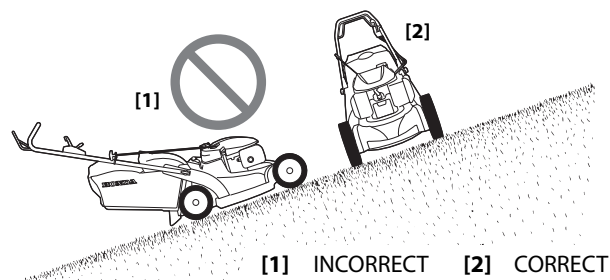
⚠ AVERTISSEMENT

L'organe de coupe est affûté et il tourne à vitesse élevée.

Tout contact avec un organe de coupe en rotation peut entraîner des coupures graves et l'amputation des doigts et des orteils.

- Porter des chaussures de protection.
- Tenir les mains et les pieds éloignés du carter de coupe lorsque le moteur tourne.
- Arrêter le moteur avant de procéder à tout(e) réglage, inspection ou entretien.

Pentes



[1] INCORRECT [2] CORRECT

Tondre en travers des pentes, jamais vers le haut ni vers le bas. Éviter les pentes raides (plus de 20° (36 %)), et être vigilant(e) en cas de changement de direction. La tonte sur une pente lorsque l'herbe est humide ou mouillée peut entraîner des risques de glissement, de chute et de perte de contrôle de la tondeuse.

Obstacles

Utiliser le côté de la tondeuse pour tondre au plus près des gros obstacles, comme les haies ou les murs.

Relâcher la commande Smart Drive pour désengager le système de traction lors de la tonte autour d'arbres et d'autres obstacles. Pousser la tondeuse autour des obstacles pour un meilleur contrôle de la direction. Attention lors de la tonte au-dessus d'obstacles incrustés dans la pelouse, comme des têtes de gicleurs, du pavage, des bordures, etc. Éviter tout obstacle pouvant se coller à la surface de la pelouse.

Si l'organe de coupe heurte un objet, ou si la tondeuse commence à vibrer, arrêter immédiatement le moteur et rechercher tout dommage. Le fait de heurter des objets peut endommager l'organe de coupe, déformer le vilebrequin et/ou rompre le carter de coupe ou d'autres composants. En général, les vibrations indiquent un problème grave.

⚠ AVERTISSEMENT

Un organe de coupe usé, fissuré ou endommagé peut se rompre, et des parties de l'organe de coupe endommagé peuvent devenir de dangereux projectiles.

Les objets éjectés peuvent entraîner des blessures graves.

Inspecter régulièrement l'organe de coupe, et ne pas utiliser la tondeuse avec un organe de coupe usé ou endommagé.

La garantie ne couvre pas les pièces endommagées suite à une collision.

Graviers et objets mobiles

Les graviers, les pierres et le matériel d'aménagement paysager peuvent se prendre dans la tondeuse et être éjectés avec une force suffisante pour entraîner des blessures graves et/ou des dommages matériels. Le meilleur moyen d'éviter des blessures éventuelles dues à des objets éjectés est de relâcher le levier de commande de l'organe de coupe pour arrêter ce dernier avant d'atteindre des zones comportant des graviers, des pierres ou du matériel d'aménagement paysager.

ACTIONNEMENT DES COMMANDES

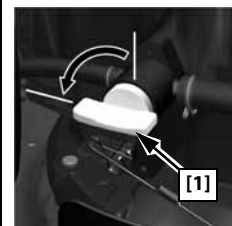
DE TONTE



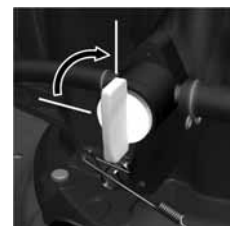
Robinet d'essence

Le robinet d'essence [1] ouvre et ferme la connexion entre le réservoir d'essence et le carburateur.

OUVERT



FERMÉ



Système de commande de l'organe de coupe

Type VKEA

Le levier de commande de l'organe de coupe [1] doit être contre le guidon pour démarrer et utiliser le moteur. L'organe de coupe commence à tourner lorsque le levier est tiré contre le guidon et que la poignée du lanceur est tirée.



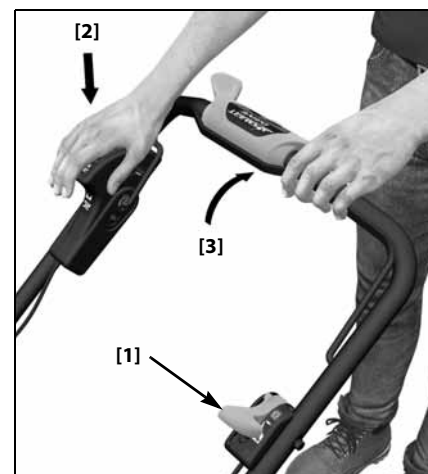
Continuer à maintenir le levier de l'organe de coupe complètement contre le guidon. Cela garantit la rotation régulière du moteur et de l'organe de coupe, et cela empêche toute usure prématurée du système de commande de l'organe de coupe.

Relâcher le levier de commande de l'organe de coupe pour arrêter le moteur et la rotation de l'organe de coupe si vous devez vous éloigner de la tondeuse.

Type VYEA

Pour lancer la rotation de l'organe de coupe, s'assurer que le moteur tourne et que le levier de commande des gaz [1] est en position RAPIDE.

1. Maintenir **enfoncé** le bouton Roto-Stop® [2].
2. Tirer rapidement le levier de commande de l'organe de coupe [3] contre le guidon pour que le moteur entraîne l'organe de coupe à sa pleine vitesse. Puis, relâcher le bouton Roto-Stop.



Continuer à maintenir le levier de l'organe de coupe complètement contre le guidon pour conserver la rotation de l'organe de coupe. Le levier de commande de l'organe de coupe doit toujours être entièrement engagé ou entièrement relâché. Ne pas engager partiellement le levier.

Relâcher le levier de commande de l'organe de coupe pour arrêter la rotation de l'organe de coupe. Toujours relâcher le levier de commande de l'organe de coupe avant de démarrer le moteur pour empêcher toute rotation de l'organe de coupe.

Commande Smart Drive

Avec le moteur en marche et l'organe de coupe en rotation, enfoncer doucement la commande Smart Drive pour faire avancer la tondeuse.

La vitesse au sol augmente lorsqu'une pression supérieure est appliquée à la commande Smart Drive. Une fois que la vitesse au sol maximale est atteinte, l'application d'une pression supplémentaire ne permet pas d'augmenter la vitesse au sol. Appliquer uniquement une pression suffisante pour atteindre la vitesse souhaitée.

Relâcher la commande Smart Drive pour désengager le système de traction lors de la tonte autour d'arbres et d'autres obstacles. Pousser la tondeuse autour des obstacles pour un meilleur contrôle de la direction.

La vitesse au sol varie en fonction du terrain, de la hauteur de l'herbe, de la pente et du poids du bac de ramassage. Le déplacement de la commande Smart Drive permet d'atteindre la vitesse au sol souhaitée dans des conditions de tonte variables en continu.

Relâcher la commande Smart Drive pour désengager (arrêter) les roues arrière.

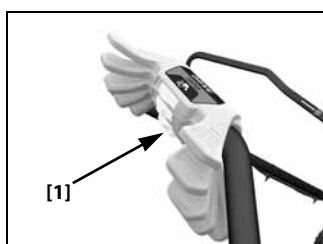
Réglage de la commande Smart Drive

La commande Smart Drive peut être réglée vers le haut ou vers le bas dans l'une des cinq positions pour le confort de l'opérateur.

Ne pas essayer de régler la position de la commande Smart Drive lorsque la tondeuse se déplace.

Faire glisser le dispositif de réglage multipositions [1] vers la gauche pour déverrouiller la commande, déplacer la commande Smart Drive vers le haut ou vers le bas dans la position la plus confortable, puis relâcher le dispositif de réglage multipositions et le laisser s'engager.

Pour éviter la fatigue du pouce, maintenir la commande Smart Drive comme indiqué.

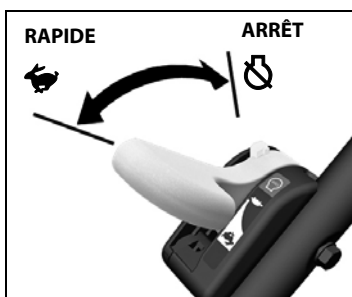


Levier de commande des gaz

Type VYEA

Pour une meilleure qualité de tonte, toujours tondre avec le levier de commande des gaz en position RAPIDE. Lorsque l'organe de coupe tourne à la vitesse rapide préréglée, une action importante de ventilateur est créée qui soulève et tond l'herbe de manière plus efficace.

Ne pas essayer d'augmenter le régime moteur RAPIDE préréglé ; l'organe de coupe risque de se rompre et de se désagréger.



ASTUCES DE TONTE

Quand tondre

En général, l'herbe doit être tondue lorsqu'elle dépasse de 12 ~ 25 mm sa hauteur recommandée.

Une tonte plus fréquente est requise pour le paillage que pour le ramassage. Pour de meilleurs résultats, il peut s'avérer nécessaire de tondre la pelouse deux fois par semaine pendant la saison de tonte.

Largeur de coupe

Pour une finition régulière, il convient de repasser sur chaque bande tondu de quelques centimètres. Si l'herbe est très haute ou épaisse, repasser sur chaque bande tondu de plus de centimètres et tondre des bande plus étroites.

Vitesse de l'organe de coupe

L'organe de coupe doit tourner très rapidement pour tondre correctement.

En cas de diminution du régime moteur, cela peut indiquer une surcharge du moteur car l'organe de coupe essaie de tondre une quantité trop importante d'herbe. Tondre une bande plus étroite, déplacer la tondeuse lentement ou augmenter la hauteur de coupe.

Tranchant de l'organe de coupe

Un organe de coupe affûté coupe de manière nette. Un organe de coupe émoussé déchire l'herbe, ce qui laisse des extrémités déchiquetées qui deviennent marron. Lorsque l'organe de coupe ne coupe plus de manière nette, il convient de l'affûter ou de le remplacer.

Herbe sèche

Si le sol est trop sec, la tonte soulève beaucoup de poussière. Outre la sensation désagréable que cela crée, une quantité trop importante de poussière risque d'obstruer le filtre à air du carburateur.

Si la poussière constitue un problème, arroser la pelouse la veille de la tonte. Il convient de tondre lorsque l'herbe est sèche au toucher, mais que la terre est encore humide.

Herbe mouillée

L'herbe mouillée est glissante et peut faire perdre pied. De même, l'herbe coupée mouillée obstrue le carter de coupe et s'accumule en mottes sur la pelouse. Toujours attendre que l'herbe mouillée sèche avant de tondre.

Feuilles mortes

Lorsqu'elle est équipée du bac de ramassage, la tondeuse peut être utilisée pour ramasser les feuilles mortes en vue de leur élimination. En cas d'utilisation de la tondeuse pour ramasser de grandes quantités de feuilles mortes, et non pour tondre, régler le levier de réglage de la hauteur de coupe avant de sorte que l'avant du carter de coupe soit réglé à une ou deux positions supérieures que l'arrière.

Si un paillage de feuilles mortes est souhaité, ne pas laisser le couvert des feuilles trop s'accumuler avant de commencer. Pour de meilleurs résultats, commencer le paillage lorsque l'herbe est encore visible à travers le couvert des feuilles. Aux endroits où les feuilles mortes recouvrent complètement l'herbe, ratisser les feuilles, ou installer le bac de ramassage pour que la tondeuse puisse les ramasser en vue de leur élimination.

Carter de coupe obstrué

Avant de nettoyer un carter de coupe obstrué, arrêter le moteur et mettre le robinet d'essence en position OFF. Avec le bouchon de bougie déconnecté, pencher la tondeuse de sorte que le côté du filtre à air soit orienté vers le haut.

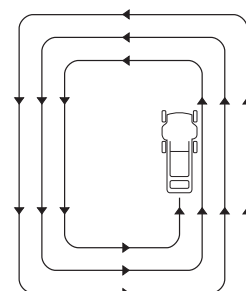
Nettoyer un carter obstrué à l'aide d'un bâton, pas des mains.

Modèles de tonte

La tondeuse Honda fonctionne de manière la plus efficace en suivant autant que possible les modèles de tonte suivants. Le carter de coupe, la conception de l'équipement et le sens de rotation de l'organe de coupe ont une influence sur les meilleurs résultats des modèles de tonte.

Paillage

Suivre un modèle de tonte dans le sens inverse des aiguilles d'une montre lorsque le levier de commande de coupe est en position PAILLAGE. Si la pelouse est irrégulière, ou en présence d'obstacles, il convient de diviser la pelouse en sections pour suivre les modèles de tonte dans le sens inverse des aiguilles d'une montre.



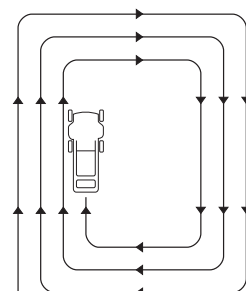
MODÈLE DE PAILLAGE

Ramassage

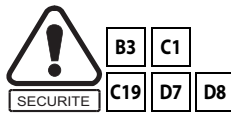
Suivre un modèle de tonte dans le sens des aiguilles d'une montre. Cela garantit les meilleures performances de commande de coupe et de ramassage, tout en laissant une faible quantité d'herbe coupée sur la pelouse.

Tonte avec éjection arrière

Retirer le bac de ramassage et fermer la protection d'éjection. Mettre le levier de commande de coupe sur RAMASSAGE et tondre en suivant un modèle de tonte dans le sens des aiguilles d'une montre. Si la pelouse est irrégulière, ou en présence d'obstacles, il convient de diviser la pelouse en sections.

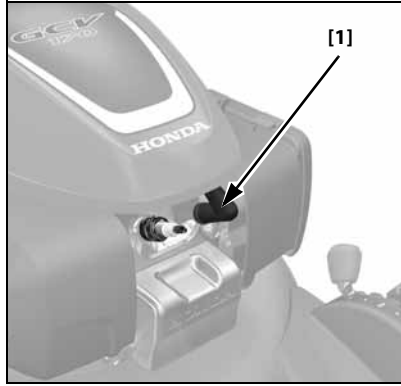


MODÈLE DE RAMASSAGE ET D'ÉJECTION ARRIÈRE



⚠ AVERTISSEMENT

Pour éviter un démarrage accidentel de la tondeuse, retirer le capuchon de la bougie d'allumage [1] avant de procéder aux travaux d'entretien.



IMPORTANT DE L'ENTRETIEN

Un entretien correct est essentiel pour un fonctionnement sécurisé, économique et sans problème. De même, cela contribue à réduire la pollution de l'air et à garantir le respect des performances en termes d'émissions du moteur.

Pour un entretien approprié de la tondeuse, les pages suivantes présentent un programme d'entretien, des procédures d'inspection de routine et des procédures d'entretien simples qui nécessitent des outils manuels de base. Il est recommandé de confier à des professionnels les autres tâches d'entretien qui sont plus difficiles à réaliser ou qui requièrent des outils spéciaux : elles sont normalement effectuées par un technicien Honda ou un mécanicien qualifié.

Le programme d'entretien s'applique dans des conditions de fonctionnement normales. Si la tondeuse est utilisée dans des conditions inhabituelles, consulter un concessionnaire Honda agréé pour obtenir les recommandations applicables aux besoins et à l'utilisation individuels.

Il convient de garder à l'esprit que le concessionnaire connaît parfaitement la tondeuse et est bien équipé pour son entretien et sa réparation.

Pour garantir une qualité et une fiabilité optimales, utiliser uniquement des pièces d'origine Honda neuves ou leurs équivalents en vue de la réparation et du remplacement.

⚠ AVERTISSEMENT

Un entretien incorrect, ou le fait de ne pas corriger un problème avant l'utilisation, peut entraîner un dysfonctionnement, et des risques de blessures graves ou le décès.

Toujours respecter les recommandations et les programmes d'inspection et d'entretien de ce manuel de l'utilisateur.

SÉCURITÉ LORS DE L'ENTRETIEN

Certaines des mesures de sécurité les plus importantes sont présentées ci-après. Cependant, nous ne pouvons pas avertir de l'ensemble des dangers éventuels pouvant surgir lors de l'entretien. Seul l'utilisateur peut décider d'effectuer ou non une tâche donnée.

⚠ AVERTISSEMENT

Le non-respect des instructions et des précautions d'entretien peut entraîner des blessures graves ou le décès.

Toujours respecter les procédures et les précautions de ce manuel de l'utilisateur.

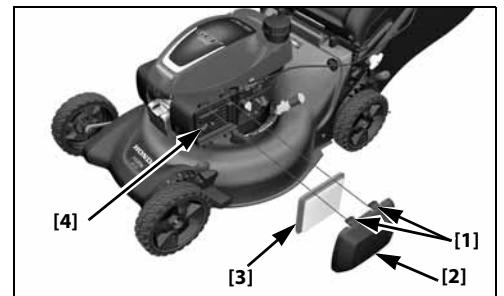
ENTRETIEN DU FILTRE A AIR

Un filtre à air bien entretenu aide à empêcher la pénétration de saletés dans le moteur. Les saletés qui pénètrent dans le carburateur peuvent être entraînées dans de petits conduits et provoquer l'usure prématurée du moteur. Ces petits conduits peuvent s'obstruer, ce qui risque d'entraîner des problèmes de démarrage ou de fonctionnement. Il est recommandé de toujours utiliser un filtre à air Honda d'origine pour le moteur afin de garantir son étanchéité et ses performances prévues. Il est nécessaire de nettoyer plus fréquemment le filtre en cas d'utilisation du moteur dans des conditions très poussiéreuses.

AVIS

Le fonctionnement du moteur sans filtre à air, ou avec un filtre endommagé, entraîne une pénétration de saletés dans le moteur, ce qui provoque une usure rapide du moteur. Ce type de dommage n'est pas couvert par la garantie.

1. Enfoncer les attaches du couvercle du filtre à air [1], puis retirer le couvercle [2].
2. Retirer le filtre [3] du carter de filtre à air [4].
3. Inspecter le filtre ; le remplacer s'il est endommagé.
4. Nettoyer le filtre en le tapant plusieurs fois sur une surface dure pour retirer les saletés, ou souffler de l'air comprimé (2 bar/29 psi maximum) depuis l'intérieur du filtre. Ne jamais essayer de broser les saletés ; dans le cas contraire, cela fait pénétrer ces dernières dans les fibres.
5. Essuyer les saletés depuis l'intérieur du carter de filtre à air et le couvercle à l'aide d'un chiffon humide. Veiller à éviter que des saletés ne pénètrent dans le conduit d'air qui mène au carburateur.
6. Réinstaller le filtre et le couvercle.



REPLACEMENT DE L'HUILE MOTEUR

Vidanger l'huile lorsque le moteur est chaud. L'huile chaude s'écoule rapidement et complètement.



1. Mettre le robinet d'essence sur OFF. Ceci permettra de réduire le risque de fuite de carburant (page 9).
2. Essuyer la zone de l'orifice de remplissage d'huile, puis retirer la jauge/le bouchon de remplissage d'huile.

3. Placer un conteneur approprié à côté de la tondeuse pour recueillir l'huile usagée, puis faire basculer la tondeuse sur son côté droit. L'huile usagée s'écoule par le goulot de remplissage. Laisser l'huile s'écouler complètement.



Éliminer l'huile moteur usagée et les conteneurs de manière respectueuse de l'environnement. Nous suggérons de les placer dans un conteneur étanche pour les amener dans le centre de tri local ou une station service en vue de leur récupération. Ne pas les jeter à la poubelle, les déverser l'huile sur le sol ou dans les égouts.

4. Remplir le réservoir avec l'huile recommandée (page 7).

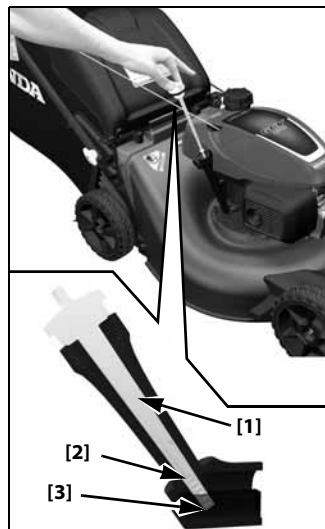
Volume de remplissage : 0,35~0,40 l

Ne pas le remplir excessivement. Mesurer le niveau d'huile comme indiqué ci-dessous.



5. Après la vidange de l'huile moteur et avant le démarrage du moteur, vérifier le niveau de l'huile avec la tondeuse sur une surface plane :

- a. Retirer le bouchon de remplissage/la jauge [1].
- b. Essuyer la jauge.
- c. Insérer et retirer la jauge sans la visser dans le goulot de remplissage. Vérifier le niveau d'huile indiqué par la jauge.
- d. Si le niveau d'huile est en dessous du repère de niveau inférieur [3], ajouter de l'huile jusqu'au repère de limite supérieure [2] de la jauge. Ne pas le remplir excessivement. Si le moteur est rempli excessivement, l'excès d'huile peut passer dans le carter de filtre à air et le filtre à air.



AVIS

Faire fonctionner du moteur avec un niveau d'huile bas peut entraîner des dommages.

- e. Revisser fermement le bouchon de remplissage/la jauge.

VÉRIFICATION DE LA BOUGIE D'ALLUMAGE

Bougies requises :

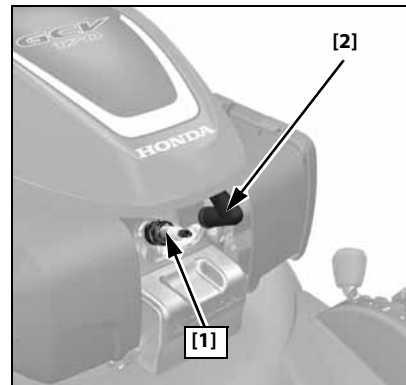
NGK - BPR5ES

AVIS

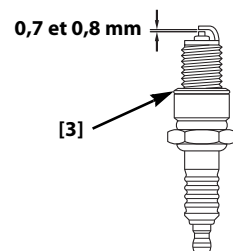
Des bougies incorrectes peuvent entraîner des dommages au moteur.

Pour de bonnes performances, la bougie [1] doit présenter un écartement correct et être exempte de dépôts.

1. Déconnecter le bouchon de bougie [2], et retirer les saletés de la zone de bougie.
2. Retirer la bougie à l'aide d'une clé à bougie.



3. Inspecter la bougie d'allumage. La remplacer en cas d'usure des électrodes ou de fissuration ou d'écaillage de l'isolant.
4. Mesurer l'écartement des électrodes de bougie à l'aide d'un calibre adapté. L'écartement doit être compris entre 0,7 et 0,8 mm. Si nécessaire, corriger l'écartement en pliant avec soin l'électrode latérale.
5. Revisser avec précaution la bougie d'allumage à la main pour éviter de fausser le filetage.



6. Après avoir revisé la bougie à la main, la resserrer avec la clé à bougie pour comprimer la rondelle.

Si la bougie a déjà été utilisée, la serrer de 1/8 à 1/4 de tour après qu'elle ait touché son siège.

Si la bougie est neuve, la serrer de 1/2 tour après qu'elle ait touché son siège, de façon à comprimer la rondelle [3].

COUPLE : 20 N·m

AVIS

Une bougie d'allumage dévissée risque de surchauffer et d'endommager le moteur. Un serrage excessif de la bougie d'allumage peut endommager le filetage de la culasse.

7. Installer le bouchon de bougie sur la bougie.

ENTRETIEN DU PARE-ÉTINCELLES (ÉQUIPEMENT EN OPTION)

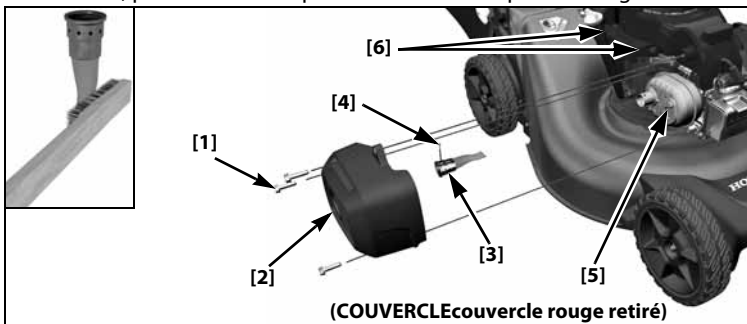
En Europe et dans les autres pays où la directive 2006/42/CE relative aux machines est en vigueur, ce nettoyage doit être effectué par le concessionnaire.



L'entretien du pare-étincelles doit être effectué toutes les 100 heures pour fonctionner comme prévu.

1. Laisser le moteur refroidir.
2. Détacher les deux attaches du couvercle supérieur rouge [6] du côté du silencieux du moteur, puis lever légèrement le couvercle supérieur rouge pour dégager le boulon de la protection du silencieux supérieur.
3. Retirer les trois boulons [1] de la protection du silencieux [2] à l'aide d'une clé à douille de 10 mm.
4. Retirer la protection du silencieux [2].
5. Retirer la vis de blocage [4].
6. Retirer le pare-étincelles [3] du silencieux [5].
7. Rechercher des dépôts de carbone sur le pare-étincelles et l'orifice d'échappement. Brosser les dépôts de carbone. Attention à ne pas endommager l'écran du pare-étincelles.
8. Installer le pare-étincelles dans le silencieux.

9. Installer la protection du silencieux sur le moteur, bien serrer les trois boulons, puis remettre en place le couvercle supérieur rouge.



RETRAIT ET INSTALLATION DE L'ORGANE DE COUPE

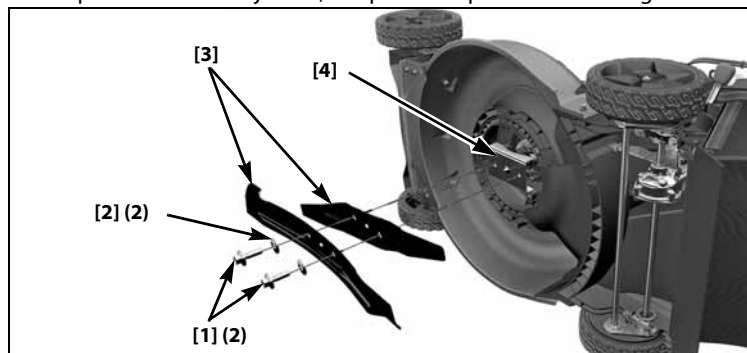
Si l'organe de coupe est retiré en vue de son affûtage ou de son remplacement, une clé dynamométrique est nécessaire pour l'installation. Porter des gants épais pour protéger les mains.

AFFÛTAGE de l'organe de coupe : Pour éviter de fragiliser l'organe de coupe, ou d'effectuer un affûtage asymétrique ou incorrect, l'organe de coupe doit être affûté par du personnel formé chez un concessionnaire Honda agréé.

REPLACEMENT de l'organe de coupe : Utiliser un organe de coupe Honda d'origine ou un équivalent en cas de remplacement.

Retrait

1. Mettre le robinet d'essence sur OFF et déconnecter le bouchon de bougie.
2. Pencher la tondeuse vers la droite pour que le bouchon du réservoir de carburant soit vers le haut. Cela permet d'éviter toute fuite de carburant, tout suintement d'huile moteur dans le filtre à air et tout démarrage difficile.
3. Retirer les boulons de l'organe de coupe [1] et les rondelles spéciales [2] à l'aide d'une clé à douille de 14 mm (6 points). Porter des gants épais en cuir et tenir l'organe de coupe [3] avec les mains pour l'empêcher de tourner lors du retrait des boulons. Retirer l'organe de coupe.
4. Inspecter le support de l'organe de coupe (VKEA) ou l'ensemble Roto-Stop (VYEA) [4] et la surface de montage de l'organe de coupe à la recherche de dommages. En présence de dommages ou si l'organe de coupe a heurté un objet dur, remplacer les pièces endommagées.



Installation

1. Éliminer les saletés et l'herbe présentes dans la zone de montage de l'organe de coupe.
2. Installer les deux organes de coupe [3] en utilisant les deux boulons de l'organe de coupe [1] et les rondelles spéciales [2] comme indiqué. S'assurer d'installer les rondelles spéciales avec le côté concave orienté vers l'organe de coupe et le côté convexe orienté vers la tête du boulon.

AVERTISSEMENT

L'utilisation de cette tondeuse avec un seul organe de coupe serait à l'origine d'une installation incorrecte de cet organe de coupe. Le cas échéant, l'organe de coupe risquerait d'être éjecté de la tondeuse et de blesser quelqu'un gravement voire mortellement.

Toujours installer les deux organes de coupe en tant qu'ensemble.

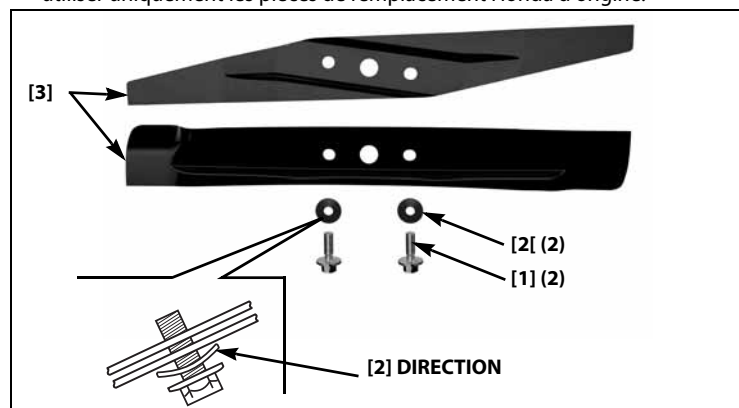
AVERTISSEMENT

Si le boulons de l'organe de coupe ne sont pas serrés au couple prescrit, l'organe de coupe peut se desserrer et être éjecté de la tondeuse.

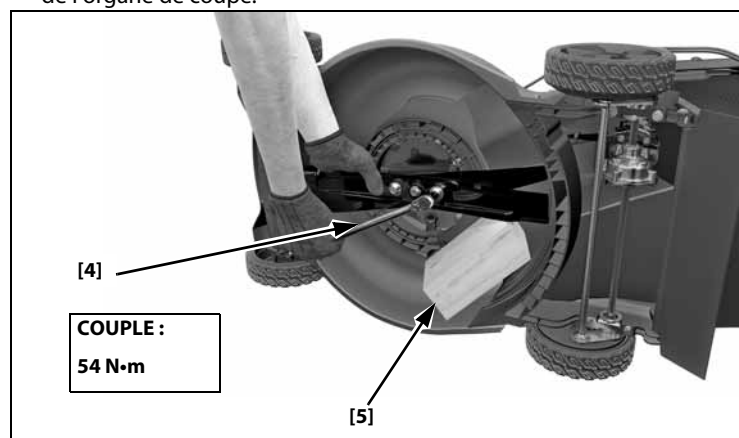
L'organe de coupe éjecté de la tondeuse peut entraîner des blessures graves ou le décès.

S'assurer que les boulons de l'organe de coupe sont serrés au couple prescrit.

Les boulons de l'organe de coupe et les rondelles sont spécialement conçus pour cette application. Lors du remplacement des boulons et des rondelles, utiliser uniquement les pièces de remplacement Honda d'origine.



3. Serrer les boulons de l'organe de coupe à l'aide d'une clé dynamométrique [4]. Utiliser une cale en bois [5] pour éviter la rotation de l'organe de coupe.



Couple des boulons de l'organe de coupe : 54 N·m

Si aucune clé dynamométrique n'est disponible, demander à un concessionnaire Honda agréé de serrer les boulons de l'organe de coupe avant d'utiliser la tondeuse. Si les boulons de l'organe de coupe sont trop serrés, ils risquent de se rompre. Si les boulons de l'organe de coupe ne sont pas suffisamment serrés, ils risquent de se desserrer ou de se détacher. Dans les deux cas, l'organe de coupe risque d'être éjecté lors de l'utilisation de la tondeuse.

Inspection des boulons de montage de l'organe de coupe

Inspecter les boulons de l'organe de coupe à la recherche de tout signe de dommage ou de desserrage. S'ils sont endommagés, ils doivent être remplacés.

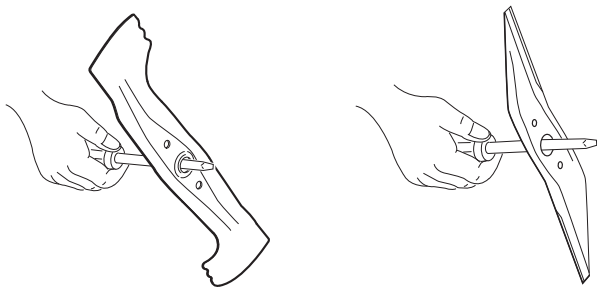
S'ils sont desserrés, une clé dynamométrique doit être utilisée pour serrer de manière précise les boulons de l'organe de coupe au couple requis. Si aucune clé dynamométrique n'est disponible, confier la tondeuse à un concessionnaire agréé pour remplacer ou serrer les boulons.

Utiliser uniquement des boulons et des rondelles spéciales Honda d'origine car ils ont été spécifiquement conçus à cet effet. Les références de remplacement sont disponibles à la page 17.

Inspecter les rondelles et les têtes de boulon à la recherche de tout signe de desserrage et de dommage.



Remplacement de l'organe de coupe



ATTENTION:

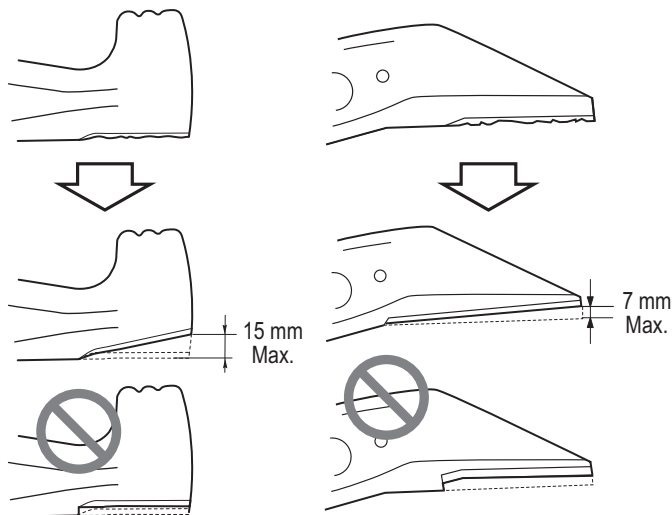
- L'équilibre de l'organe de coupe est crucial pour les performances correctes de la tondeuse. Remplacer tout organe de coupe endommagé ou déséquilibré.
- Utiliser uniquement des organes de coupe d'origine Honda.

Affûtage de l'organe de coupe

ATTENTION:

- Pour éviter la fragilisation de l'organe de coupe, ce qui serait à l'origine de son déséquilibre ou d'une mauvaise qualité de coupe, confier l'affûtage de l'organe de coupe au personnel compétent de votre concessionnaire.

1. Affûter les bords tranchants de l'organe de coupe à l'aide d'une meule à affûter. Affûter uniquement le bord supérieur. Conserver le biseau d'origine afin d'obtenir une arête très acérée. Aiguiser les deux extrémités de façon homogène, pour le maintien de l'équilibre de l'organe de coupe.
2. Une fois l'affûtage terminé, tester l'équilibre de l'organe de coupe en utilisant un tournevis, comme illustré ci-dessus. Si l'un des bords penche légèrement en dessous de l'horizontale, aiguiser ce côté. Remplacer l'organe de coupe s'il penche de façon excessive.



NETTOYAGE ET REMPLACEMENT DU

BAC DE RAMASSAGE

Nettoyage

Laver le bac de ramassage à l'aide d'un tuyau d'arrosage, et le laisser sécher complètement avant de l'utiliser ; un bac de ramassage mouillé s'obstrue rapidement.

Remplacement

Remplacer un bac de ramassage usé ou endommagé par une pièce de remplacement Honda ou son équivalent.



VÉRIFICATION DU FONCTIONNEMENT DE LA COMMANDE DE L'ORGANE DE COUPE

Type VKEA uniquement :

Démarrer le moteur à l'extérieur. Relâcher le levier de commande de l'organe de coupe ; le moteur devrait s'arrêter rapidement. Si le moteur ne s'arrête pas rapidement, confier la tondeuse à un concessionnaire Honda agréé en vue de sa réparation.

PROGRAMME D'ENTRETIEN

Effectuer l'entretien le mois/l'année indiqué(e) ou à l'intervalle d'heures de fonctionnement indiquée, selon la première occurrence.

Point d'entretien	Intervention	Périodicité					
		Avant chaque utilisation	Le premier mois ou toutes les 5 heures	Les premières 25 heures	Tous les 6 mois ou toutes les 50 heures	Tous les ans ou toutes les 100 heures	Tous les 2 ans ou toutes les 150 heures de fonctionnement
Huile moteur	Contrôler	o					
	Changer		o		o ¹	o ¹	o ¹
Filtre à air	Contrôler	o					
	Nettoyer			o ¹	o ¹	o ¹	
	Remplacer						o
Bougie	Contrôler / Régler					o	
	Remplacer						o
Pare-étincelles ³ (le cas échéant)	Nettoyer					o	o
Réservoir d'essence ²	Nettoyer					o	o
Jeu aux soupapes ²	Régler					o	o
Conduites de carburant ²	Contrôler (remplacer si nécessaire)	Tous les 2 ans					
Bac de ramassage	Contrôler	o					
Organe de coupe	Contrôler	o					
Fonctionnement de la commande de l'organe de coupe	Contrôler	o				o	o
Protection arrière	Contrôler	o					
Boulons de l'organe de coupe	Contrôler	o					
Câble Smart Drive ²	Régler			o	o	o	o
Câble Roto-Stop (VYEA) ²	Régler			o		o	o
Câble des gaz (VYEA) ²	Régler			o		o	o
Engrenages à pignons ²	Graisser					o	o
Roulements de l'axe de transmission ²	Contrôler						o

1. L'entretien doit être plus fréquent en cas d'utilisation dans des zones poussiéreuses.
2. L'entretien de ces points doit être effectué par un concessionnaire Honda agréé, à moins de disposer des outils corrects et de posséder des compétences en mécanique. Se référer au manuel d'atelier Honda pour les procédures d'entretien.
3. En Europe et dans les autres pays où la directive 2006/42/CE relative aux machines est en vigueur, ce nettoyage doit être effectué par le concessionnaire.

Le non-respect de ce programme d'entretien peut entraîner des dysfonctionnements non couverts par la garantie ou une réduction des performances et un non-respect des émissions.

DÉPANNAGE

LE MOTEUR NE DÉMARRE PAS

Cause possible	Correction
Robinet d'essence en position OFF	Mettre le robinet d'essence sur ON (page 9).
Panne de carburant	Faire le plein (page 7).
Commande des gaz en position incorrecte (VYEA uniquement)	Mettre le levier de commande des gaz en position RAPIDE (page 10).
Carburant incorrect ; tondeuse remise sans traitement de l'essence, ou plein réalisé avec de l'essence incorrecte	Faire le plein avec de l'essence fraîche (page 5).
Bougie d'allumage défectueuse, encrassée ou avec écartement incorrect	Écarter correctement la bougie d'allumage ou la remplacer (page 12).
Bougie d'allumage mouillée par du carburant (moteur noyé)	Sécher et réinstaller la bougie d'allumage.
Filtre à carburant obstrué, dysfonctionnement du carburateur, dysfonctionnement de l'allumage, soupapes bloquées, etc.	Confier la tondeuse à un concessionnaire Honda agréé ou se référer au manuel d'atelier en vue de sa réparation.

PERTE DE PUISSANCE

Cause possible	Correction
L'herbe est trop haute pour la tonte	Relever la hauteur de coupe (page 7), tondre des bandes plus étroites, utiliser une vitesse au sol plus lente ou tondre plus fréquemment.
Commande des gaz non réglée sur RAPIDE (VYEA uniquement)	Mettre le levier de commande des gaz sur RAPIDE (page 10).
Le carter de coupe est obstrué	Nettoyer le carter de coupe (page 10).
Le filtre à air est obstrué	Nettoyer ou remplacer le filtre à air
Carburant incorrect ; tondeuse remise sans traitement de l'essence, ou plein réalisé avec de l'essence incorrecte	Faire le plein avec de l'essence fraîche (page 12).
Filtre à carburant obstrué, dysfonctionnement du carburateur, dysfonctionnement de l'allumage, soupapes bloquées, etc.	Confier la tondeuse à un concessionnaire Honda agréé ou se référer au manuel d'atelier en vue de sa réparation.

VIBRATIONS

Cause possible	Correction
De l'herbe et des débris se sont introduits sous le carter de coupe	Nettoyer le carter de coupe (page 10).
Organe de coupe desserré, plié, endommagé ou déséquilibré par un affûtage incorrect	Serrer les boulons desserrés de l'organe de coupe (page 13). Si l'organe de coupe est plié ou endommagé, demander à un concessionnaire Honda agréé de procéder à une inspection.
Dommege mécanique, comme un vilebrequin voilé	Confier la tondeuse à un concessionnaire Honda agréé ou se référer au manuel d'atelier en vue de sa réparation.

PROBLÈMES DE TONTE ET DE RAMASSAGE

Cause possible	Correction
La tondeuse se déplace trop rapidement pour l'état de la pelouse	Appliquer une pression moindre sur la commande Smart Drive ou pousser plus lentement.
Les leviers de réglage de la hauteur de coupe sont réglés à des positions différentes	Régler les deux leviers sur la même position de hauteur de coupe (page 7).
Bac de ramassage trop plein ou obstrué	Vider le bac de ramassage. Laver le bac de ramassage en cas d'obstruction par des saletés (page 14).
Le carter de coupe est obstrué	Nettoyer le carter de coupe (page 10).
Organe de coupe émoussé, usé ou endommagé	Affûter ou remplacer l'organe de coupe si nécessaire (page 13).

REMISAGE

Un remisage correct est essentiel pour le bon fonctionnement de la tondeuse. Les étapes suivantes aident à protéger la tondeuse de la rouille et de la corrosion, et elles facilitent le démarrage du moteur lors d'une nouvelle utilisation de la tondeuse.



NETTOYAGE

Moteur

Nettoyer le moteur à la main, à l'aide d'un chiffon et d'une brosse.

AVIS

L'utilisation d'un tuyau d'arrosage ou d'un équipement de lavage sous pression risque de faire pénétrer de l'eau dans le filtre à air. L'eau dans le filtre à air mouille le filtre papier et risque de pénétrer dans le carburateur ou dans le cylindre du moteur, ce qui entraîne des dommages. Tout contact entre de l'eau et un moteur chaud peut entraîner des dommages. Si le moteur est chaud, le laisser refroidir pendant au moins une demi-heure avant de procéder au nettoyage.

Carter de coupe

Pour assurer une durée de vie supérieure et un fonctionnement plus efficace, le dessous de la tondeuse doit être maintenu propre et exempt de fragments d'herbe via un nettoyage à l'aide d'une brosse et d'un grattoir. Après utilisation, la tondeuse doit être nettoyée avec soin avant d'être remise.

Avant de nettoyer le côté inférieur du carter de coupe, laisser le moteur refroidir et s'assurer que le robinet d'essence est en position OFF. Déconnecter le bouchon de bougie. Faire reposer la tondeuse sur son côté droit pour que le bouchon de remplissage de carburant soit orienté vers le haut. Cela aide à empêcher toute fuite de carburant et un démarrage difficile en raison d'un noyage du carburateur. Porter des gants épais pour protéger les mains de l'organe de coupe.

Bac de ramassage

Retirer le bac de la tondeuse, et le nettoyer avec un tuyau d'arrosage ou un équipement de lavage sous pression. Laisser le bac sécher complètement avant de le remiser.

Une fois que la tondeuse est propre et sèche, retoucher les zones de peinture endommagée et enduire les autres zones pouvant rouiller d'un mince film d'huile.

CARBURANT

AVIS

En fonction de la région dans laquelle l'équipement est utilisé, les formules de carburant peuvent se détériorer et s'oxyder rapidement. La détérioration et l'oxydation du carburant peuvent se produire en à peine 30 jours et peuvent entraîner des dommages au carburateur et/ou au système d'alimentation. Vérifier auprès du concessionnaire les recommandations locales de remisage.

L'essence s'oxyde et se détériore lorsqu'elle est remise. Une essence éventée rendrait le démarrage difficile et serait à l'origine de dépôts qui pourraient encrasser les petits conduits du système d'alimentation. Si l'essence dans la tondeuse se détériore pendant le remisage, l'entretien ou le remplacement du carburateur et d'autres composants du système hydraulique peuvent s'avérer nécessaires.

La durée pendant laquelle de l'essence peut être laissée dans le réservoir d'essence et le carburateur sans entraîner de problèmes fonctionnels varie en fonction de facteurs comme le mélange d'essence, les températures de remisage et le niveau de remplissage du réservoir d'essence (partiellement ou complètement plein). L'air contenu dans un réservoir d'essence partiellement plein favorise la détérioration du carburant. Des températures de remisage très élevées accélèrent la détérioration du carburant. Les problèmes liés à la détérioration du carburant se produisent en quelques mois ou même moins si l'essence n'était pas nouvelle lors du remplissage du réservoir d'essence.

Si un conteneur d'essence a été conservé en vue de l'appoint en carburant, s'assurer qu'il ne contient que de l'essence nouvelle.

Si le carburant du conteneur de remisage ne doit pas être utilisé pendant plus de 3 mois, nous recommandons d'ajouter un stabilisateur de carburant lors du remplissage du conteneur.

Remisage à court terme (30-90 jours)

En cas d'inutilisation de la tondeuse pendant 30 à 90 jours, nous recommandons ce qui suit afin d'éviter tout problème lié au carburant :

1. Ajouter un stabilisateur de carburant conforme aux instructions du fabricant. Lors de l'ajout d'un stabilisateur de carburant, remplir le réservoir d'essence avec de l'essence nouvelle. Si le réservoir est partiellement rempli, l'air contenu dans ce dernier favorise la détérioration du carburant pendant le remisage.
Remarque :
 - Tous les stabilisateurs ont une durée de conservation et leurs performances se détériorent avec le temps.
 - Les stabilisateurs de carburant ne reconstituent pas l'essence éventée.
2. Après l'ajout d'un stabilisateur de carburant, faire tourner le moteur à l'extérieur pendant 10 minutes pour s'assurer que l'essence traitée a remplacé l'essence non traitée dans le carburateur.
3. Arrêter le moteur et mettre le robinet d'essence en position OFF.
4. Démarrer le moteur et le laisser tourner jusqu'à ce qu'il s'arrête en raison d'un manque de carburant dans le bol de filtre à carburant du carburateur. Le temps de fonctionnement doit être inférieur à 3 minutes.

Remisage saisonnier ou à long terme (plus de 90 jours)

Démarrer le moteur et le laisser tourner suffisamment longtemps pour vider l'essence de l'ensemble du système d'alimentation (y compris le réservoir d'essence). Ne pas laisser d'essence dans le moteur pendant plus de 90 jours d'inactivité.

La GARANTIE ne couvre pas les dommages au système d'alimentation ou les problèmes de performances du moteur dus à une préparation incorrecte du remisage.

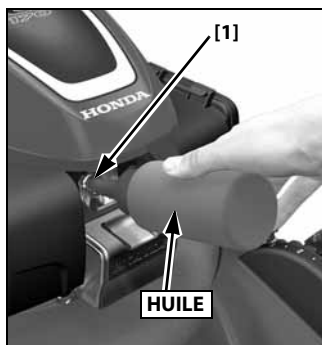
HUILE MOTEUR

Remplacer l'huile moteur (page 12).

CYLINDRE DU MOTEUR

Si la tondeuse doit être remise pendant plus de 3 mois, retirer la bougie (page 12). Verser de 5 à 10 cm³ d'huile moteur neuve dans le cylindre [1]. Tirer plusieurs fois la poignée du lanceur pour répartir l'huile dans le cylindre. Réinstaller la bougie.

Tirer lentement la poignée du lanceur jusqu'à percevoir une résistance, puis relâcher doucement la poignée du lanceur. Cela ferme les soupapes pour que l'humidité ne puisse pas pénétrer dans le cylindre du moteur.



MISE EN REMISAGE

Étant donné que la tondeuse sera remise avec de l'essence dans le réservoir d'essence et le carburateur, il est important de réduire les risques d'inflammation des vapeurs d'essence. Choisir une zone de remisage bien aérée et éloignée de tout appareil générant des flammes, comme une chaudière, un chauffe-eau ou un sèche-linge. De même il convient d'éviter toute zone abritant un moteur électrique à allumage par étincelles ou dans laquelle des outils électriques sont utilisés.

Si possible, éviter toute zone de remisage présentant une humidité élevée, car cela favoriserait la rouille et la corrosion.

Placer la tondeuse avec les roues sur une surface plane. Le fait de la pencher peut entraîner une fuite de carburant ou d'huile. Le guidon peut être replié en vue d'un remisage compact, comme indiqué ci-dessous.

Lorsque le moteur et le système d'échappement ont refroidi, couvrir la tondeuse pour la protéger de la poussière. Un moteur et un système d'échappement chauds peuvent s'enflammer ou faire fondre certains matériaux. Ne pas utiliser une bâche en plastique pour couvrir la tondeuse. Une bâche non poreuse retient l'humidité autour de la tondeuse, ce qui favorise la rouille et la corrosion.

SORTIE DE REMISAGE

Vérifier la tondeuse comme indiqué dans PRÉPARATION ET VÉRIFICATIONS AVANT L'UTILISATION (page 4).

Si le cylindre était enduit d'huile pendant la préparation du remisage, le moteur risque de fumer brièvement lors du démarrage. Ceci est normal.

TRANSPORT

AVANT LE CHARGEMENT



Si le moteur a tourné, le laisser refroidir pendant au moins 15 minutes avant de charger la tondeuse sur le véhicule de transport. Un moteur et un système d'échappement chauds peuvent entraîner des brûlures et enflammer certains matériaux.

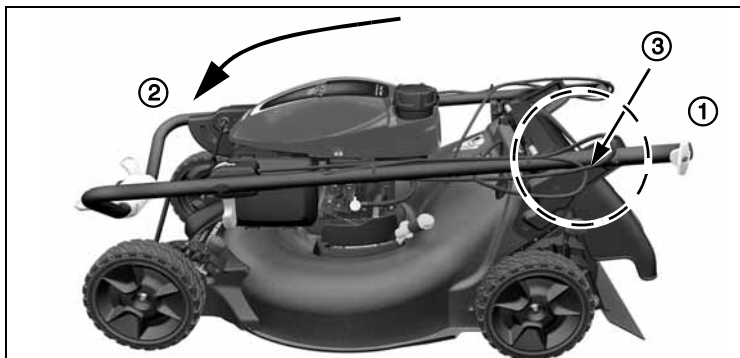
Mettre le robinet d'essence en position OFF (page 9). Cela empêche tout noyage du carburateur et réduit les risques de fuite de carburant.

PLIAGE DU GUIDON

1. Retirer le bac de ramassage. Il est possible de le placer en haut du moteur, avec l'ouverture du bac orientée vers l'avant.
2. Supporter et maintenir le guidon.
3. Déverrouiller les molettes de réglage du guidon ① et plier le guidon vers l'avant ② en position de remisage.

AVIS

Ne pas coincer, pincer ou vriller les câbles de commande ③ lors du pliage du guidon vers le bas en position de remisage. Les câbles ou le système de commande du moteur risquent d'être endommagés, ce qui entraînerait le fonctionnement incorrect de la tondeuse.



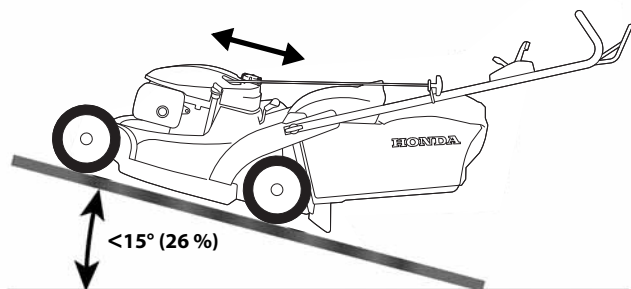
CHARGEMENT ET DÉCHARGEMENT

Positionner la tondeuse de sorte que les quatre roues se trouvent sur le plancher du véhicule de transport. Attacher la tondeuse à l'aide de cordes ou de sangles, et bloquer les roues. Éloigner les cordes ou les sangles des commandes, des leviers de réglage, des câbles et du carburateur.

AVIS

Pour éviter tout risque de perte de contrôle ou d'endommagement de la tondeuse, ne pas utiliser le système de traction pour déplacer la tondeuse (en montée ou en descente) sur une rampe de chargement.

1. Mettre le robinet d'essence en position OFF.
2. Utiliser une rampe de chargement appropriée. Régler la rampe de chargement de façon que son angle d'inclinaison soit inférieur à 15° (26 %). Si aucune rampe de chargement n'est disponible, deux personnes doivent porter la tondeuse pour la charger et la décharger du véhicule de transport tout en la maintenant de niveau.



INFORMATIONS UTILES

TROUVER UN CONCESSIONNAIRE AGRÉÉ

Se référer à la page 19.

PIÈCES COURANTES, ACCESSOIRE EN OPTION ET CONSOMMABLES

Prendre contact avec un revendeur agréé Honda pour acquérir l'une des pièces d'origine répertoriées ci-après, ou toute autre pièce.

Point d'entretien	Référence	Remarques
Filtre à air	17211-Z8B-901	Papier
Bougie	98079-55846	NGK (marque) BPR5ES
Organe de coupe :		Toujours utiliser les organes de coupe supérieur et inférieur en tant qu'ensemble.
Inférieur	72511-VR8-M00	
Supérieur	72531-VR8-M00	
Boulon de l'organe de coupe (2)	90105-960-710	2 requis, 10 x 20 mm
Rondelle (2)	90502-VG3-000	2 requises
Roue/pneu	44710-VR8-N00	Avant
	42710-VR8-N00	Arrière

AVERTISSEMENT

Pour votre sécurité, il est formellement interdit de monter tout autre accessoire que ceux répertoriés ci-dessus et spécifiquement conçus pour le modèle et le type de tondeuse.



SPÉCIFICATIONS TECHNIQUES

MODÈLE	HRN536C1	
TYPE	VKEA	VYEA
CODE DE DESCRIPTION	MCHF	
FONCTION	Tonte de pelouses	
GÉNÉRAL		
Dimensions L x W x h	1 550 x 575 x 1 035 mm	
Poids à sec	36 kg	40 kg
Largeur de coupe	530 mm	
Réglages de hauteur de coupe	27 mm, 39 mm, 51 mm, 64 mm, 76 mm, 88 mm, 100 mm	
Capacité du bac de ramassage	70 l	
Niveau de pression acoustique au niveau des oreilles de l'opérateur (conformément à la norme EN ISO5395-2:2013 + A1:2016 + A2:2017)	84,8 dB(A)	85,4 dB(A)
Incertitude	1 dB(A)	
Niveau de puissance acoustique mesuré (conformément aux directives 2000/14/CE, 2005/88/CE)	96,68 dB(A)	96,33 dB(A)
Incertitude	0,78 dB(A)	0,64 dB(A)
Niveau de puissance acoustique garanti (conformément aux directives 2000/14/CE 2005/88/CE)	98 dB(A)	
Test de vibration (conformément à la norme EN ISO5395-2:2013 + A1:2016 + A2:2017) *	3,87 m/s ²	5,39 m/s ²
Incertitude (EN12096)	0,45 m/s ²	0,63 m/s ²

MOTEUR

Modèle	GCV170A
Type	4 temps, monocylindre, arbre vertical
Cylindrée	166 cm ³
Alésage et course	60 x 59 mm
Refroidissement	Air forcé
Lubrification	Projection et pulvérisation
Taux de compression	8,0:1
Régime moteur maximal	2 950 ⁺⁰ / ₋₁₀₀ min ⁻¹
Puissance nette**	3,6 kW
Puissance nominale	3,2 kW
Système d'allumage	Magnétique à transistors
Bougie	NGK : BPR5ES
Écartement de bougie	0,7 ~ 0,8 mm
Filtre à air	Élément sec
Carburant recommandé	Essence sans plomb E10
Contenance du réservoir de carburant	0,91 l
Huile recommandée	SAE 5W-30, 10W-30, API SJ ou ultérieure
Contenance en huile moteur	0,40 l *** Volume de remplissage : 0,35 ~ 0,40 l
Émissions de dioxyde de carbone (CO ₂)****	Se référer aux valeurs de CO ₂ du moteur Honda à l'adresse www.honda-engines-eu.com/co2

DRIVE

Type	Smart Drive à vitesse variable
Du moteur vers la transmission	Courroie trapézoïdale
Embrayage principal	De type limiteur de couple à friction
Vitesse de la tondeuse	0 ~ 1,7 m/s
Fluide recommandé	SAE 10W-30, API SN ou ultérieure

* Valeurs pour une machine équipée d'un bac de ramassage en position de ramassage d'herbe.

** La puissance nominale du moteur indiquée dans ce document est la puissance de sortie nette testée sur un moteur de production pour le modèle de moteur GCV170A, et mesurée conformément à la norme SAE J1349 à 3 600 min⁻¹ (puissance nette). La puissance des moteurs de grande série peut varier par rapport à la valeur indiquée. La puissance de sortie réelle lorsque le moteur est installé dans la machine finale variera en fonction de plusieurs facteurs, y compris la vitesse de fonctionnement du moteur pendant l'utilisation, les conditions environnementales, la maintenance et autres variables.

*** La valeur réelle varie en raison de l'huile résiduelle dans le moteur. Toujours utiliser la jauge pour confirmer le niveau réel (voir la page 7).

**** La mesure du CO2 est le résultat d'essais réalisés sur un moteur (parent) représentant du type de moteur (famille de moteurs) pendant un cycle de test fixe en laboratoire et ne saurait en aucun cas impliquer ou exprimer une garantie de performance pour un moteur spécifique.

EINFÜHRUNG

Sie haben sich für einen handgeführten Honda-Rasenmäher entschieden. Wir möchten uns bei Ihnen für das entgegengebrachte Vertrauen bedanken.

Anhand dieser Anleitung können Sie sich mit Ihrem Rasenmäher, den optimalen Betriebsbedingungen und den erforderlichen Wartungsmaßnahmen vertraut machen.

Unser Ziel ist es, dass Sie in vollem Umfang von unseren Kenntnissen profitieren – in Form von technologischen Fortschritten, neuen Geräten und verbesserten Materialien. Aus diesem Grund setzen wir regelmäßig Verbesserungen an unseren Modellen um. Daher können die in dieser Anleitung enthaltenen technischen Daten und Informationen ohne vorherige Ankündigung und ohne Aktualisierungspflicht geändert werden.

Wenden Sie sich bei Problemen und Fragen zum Rasenmäher an Ihren Fachhändler oder Honda-Vertragshändler.

Bewahren Sie diese Anleitung griffbereit auf, damit Sie jederzeit darin nachschlagen können. Wenn Sie den Rasenmäher verkaufen, sollte die Anleitung unbedingt beiliegen.

Wir empfehlen Ihnen, die Garantie-Urkunde zu lesen und sich mit Ihren Rechten und Pflichten vollständig vertraut zu machen. Die Garantie-Urkunde wird Ihnen als separates Dokument von Ihrem Händler bereitgestellt.

Die Vervielfältigung der vorliegenden Anleitung oder von Auszügen daraus ist ohne vorherige schriftliche Genehmigung nicht gestattet.

SICHERHEITSHINWEISE

Bitte lesen Sie zur Ihrer eigenen Sicherheit und zur bestmöglichen Nutzung des Geräts dieses Handbuch vollständig durch.

Folgende Symbole und ihre Bedeutung sind zu beachten:

WARNUNG

Weist auf hohe Verletzungs- oder Lebensgefahr hin, wenn die Anweisungen nicht befolgt werden.

VORSICHT:

- Zeigt mögliche Verletzungsgefahr oder Beschädigung des Geräts an, wenn die Anweisungen nicht befolgt werden.

HINWEIS: Nützliche, praktische Hinweise.

ZUR BEACHTUNG

Ihr Rasenmäher, andere Gegenstände oder die Umwelt können beschädigt werden, wenn Sie die Anweisungen nicht befolgen.

Diese Hinweise sollen dazu beitragen, Schäden an Ihrem Rasenmäher, an anderen Gegenständen oder an der Umwelt zu vermeiden.

BESCHREIBUNG DER IN DIESER ANLEITUNG VERWENDETEN CODES

HRN536C	VKEA	VYEA
Radantrieb mit stufenlosem Getriebe	•	•
Schneidwerkzeugbremse	•	
Rotostop		•

SERIENNUMMERN VON RAHMEN UND MOTOR

Die Seriennummern von Rahmen und Motor (page 3) in die Felder unten eintragen. Sie benötigen diese Nummern bei der Bestellung von Teilen und bei technischen Fragen oder Garantieforderungen.

Rahmen-Seriennummer: _____

Motor-Seriennummer: _____

Kaufdatum: ____/____/____

Honda France Manufacturing S.A.S. – Pôle 45 – Rue des Châtaigniers
45140 ORMES – FRANKREICH – Alle Rechte vorbehalten

HONDA

BEDIENUNGSANLEITUNG

(Originalanleitung)

HRN536C

**Handgeführter
Rasenmäher**



Kundenbetreuung



<https://www.hondappsv.com/HME/>

INHALT

EINFÜHRUNG	1	WARTUNG	11
SICHERHEITSHINWEISE	1	DIE BEDEUTUNG DER WARTUNG	11
BESCHREIBUNG DER IN DIESER ANLEITUNG VERWENDETEN CODES ...	1	SICHERHEIT BEI DER WARTUNG	11
SERIENNUMMERN VON RAHMEN UND MOTOR	1	WARTUNG DES LUFTFILTERS	11
SICHERHEITSHINWEISE	2	MOTORÖLWECHSEL	12
SICHERHEITSAUFKLEBER	3	KONTROLLE DER ZÜNDKERZE	12
TYPENSCHILD	3	WARTUNG DES FUNKENSCHUTZES (OPTIONALE AUSSTATTUNG)	12
ALLGEMEINE BESCHREIBUNG	4	AUS- UND EINBAU DES SCHNEIDWERKZEUGS	13
VORBEREITUNG UND KONTROLLEN VOR INBETRIEBNAHME	4	AUSTAUSCH UND REINIGUNG DES SCHNITTGUTSAMMLERS	14
AUSPACKEN	4	FUNKTIONSPRÜFUNG DER SCHNEIDWERKZEUG- STEUERUNG	14
MONTAGE DES LENKERS	4	WARTUNGSPLAN	14
KONTROLLE DES HINTEREN SCHUTZSCHILD	4	FEHLERSUCHE	15
KONTROLLE DES SCHNITTGUTSAMMLERS	5	MOTOR SPRINGT NICHT AN	15
KONTROLLE DES KRAFTSTOFFSTANDS	5	LEISTUNGSVERLUST	15
KONTROLLE DES LUFTFILTERS	6	VIBRATIONEN	15
KONTROLLE DES SCHNEIDWERKZEUGS	6	PROBLEME BEIM MÄHEN UND MIT DEM SCHNITTGUTSAMMLER	15
EINSTELLUNG DER SCHNITTHÖHE	6	LAGERUNG	15
KONTROLLE DES ÖLSTANDS	7	REINIGEN	15
AUSWÄHLEN DER GEWÜNSCHTEN SCHNITTHÖHE	7	KRAFTSTOFF	16
STARTEN UND STOPPEN DES MOTORS	8	MOTORÖL	16
VORSICHTSMAßNAHMEN BEIM MÄHEN	8	MOTORZYLINDER	16
REGELMÄßIGE NUTZUNG	8	EINLAGERN	16
STARTEN DES MOTORS	8	HERAUSNEHMEN AUS DER LAGERUNG	16
STOPPEN DES MOTORS	8	TRANSPORT	16
EMPFEHLUNGEN FÜR DEN BETRIEB	8	VOR DEM VERLADEN	16
BETRIEB DES RASENMÄHERS IN GROSSEN HÖHEN	8	LENKER UMKLAPPEN	16
SICHERE MÄHPRAKTIKEN	9	BE- UND ENTLADEN	17
VERWENDEN DER BEDIENELEMENTE FÜR DAS MÄHEN	9	PRAKTISCHE HINWEISE	17
TIPPS ZUM MÄHEN	10	VERTRAGSHÄNDLER IN IHRER NÄHE	17
		STANDARDTEILE, SONDERAUSSTATTUNG UND VERBRAUCHSZUBEHÖR	17
		TECHNISCHE DATEN	17

SICHERHEITSHINWEISE

Bitte lesen Sie zur Ihrer eigenen Sicherheit und zur bestmöglichen Nutzung des Geräts dieses Handbuch vollständig durch.

Folgende Symbole und ihre Bedeutung sind zu beachten:

WARNUNG

Weist auf hohe Verletzungs- oder Lebensgefahr hin, wenn die Anweisungen nicht befolgt werden.

VORSICHT:

- Zeigt mögliche Verletzungsgefahr oder Beschädigung des Geräts an, wenn die Anweisungen nicht befolgt werden.

HINWEIS: Nützliche, praktische Hinweise.



Dieses Zeichen mahnt zur Vorsicht bei gewissen Handgriffen. Beachten Sie die unten aufgeführten Sicherheitshinweise mit den eingerahmten Nummern.

ANLEITUNG

- A1. Lesen Sie die Anweisungen aufmerksam durch. Machen Sie sich mit den Bedienelementen und dem korrekten Gebrauch des Rasenmähers vertraut, bevor Sie das Gerät benutzen. Sie müssen den Motor jederzeit schnell stoppen können.
- A2. Verwenden Sie den Rasenmäher ausschließlich für den vorgesehenen Zweck, d. h. zum Mähen des Rasens und Sammeln des Schnittgutes. Jeder andere Gebrauch stellt eine nicht bestimmungsgemäße Nutzung und Gefährdung, auch des Geräts, dar.
- A3. Kinder sowie Personen, die mit dem Inhalt dieser Anleitung nicht vertraut sind, dürfen den Rasenmäher nicht benutzen. Örtliche Bestimmungen können eine Altersbeschränkung vorsehen.
- A4. Verwenden Sie den Rasenmäher niemals, wenn sich Personen, insbesondere Kinder oder Tiere, in der Nähe aufhalten. Verwenden Sie das Gerät niemals bei Müdigkeit oder Krankheit oder nach der Einnahme von Medikamenten, Drogen, Alkohol oder gefährlichen Substanzen, die die Reflexe und Konzentrationsfähigkeit des Bedieners beeinträchtigen könnten. Verwenden Sie das Gerät niemals bei drohendem Schlechtwetter, beispielsweise Gewitter oder Sturm.
- A5. Denken Sie daran, dass der Eigentümer oder Benutzer des Rasenmähers für Unfälle und Schäden haftet, die Dritten bzw. am Eigentum von Dritten entstehen.
- A6. Versuchen Sie niemals, Änderungen am Mäher vorzunehmen. Dies kann zu Unfällen und zu Schäden am Mäher führen. Eingriffe am Motor führen zum Erlöschen der EU-Typgenehmigung für diesen Motor.
 - Bringen Sie keine Verlängerung am Schalldämpfer an.
 - Das Ansaugsystem darf nicht verändert werden.
 - Es dürfen keine Veränderungen am Drehzahlbegrenzer vorgenommen werden.
- A7. Das Gerät ist mit Sicherheitsvorrichtungen ausgestattet, die unter keinen Umständen modifiziert oder abgebaut werden dürfen, andernfalls können die Garantie und Herstellerhaftung erlöschen. Kontrollieren Sie vor Verwendung des Geräts immer, ob die Sicherheitsvorrichtungen funktionieren.

VORBEREITUNG

- B1. Tragen Sie beim Einsatz des Geräts immer feste und rutschfeste Sicherheitsschuhe sowie lange Hosen. Verwenden Sie das Gerät nicht barfuß oder mit offenen Schuhen. Tragen Sie möglichst keine Ketten, Armbänder oder lockere Kleidung mit losen Teilen oder mit Schnürung bzw. Halstücher/Krawatten. Lange Haare müssen zurückgebunden werden. Tragen Sie immer einen Lärmschutzhelm.
- B2. Den Arbeitsbereich des Geräts vor der Arbeit gründlich untersuchen und Gegenstände (Steine, Zweige, Draht, Knochen und anderes) entfernen, die eine Gefahr darstellen, wenn sie von der Maschine ergriffen werden.
- B3. **WARNUNG** - Benzin ist hochentzündlich.
 - Kraftstoff nur in zugelassenen Benzinkanistern lagern.
 - Das Gerät nur im Freien und bei ausgeschaltetem Motor betanken und beim Tanken sowie beim Umgang mit Kraftstoff nicht rauchen.
 - Auf keinen Fall darf bei laufendem Motor oder heißem Motor der Kraftstofftankdeckel geöffnet und Benzin eingefüllt werden.
 - Wenn Benzin über- oder ausgelaufen ist, den Motor nicht starten, sondern das Gerät aus dem Verschüttungsbereich entfernen und Zündquellen vermeiden, bis sich die Benzindämpfe verflüchtigt haben.
 - Die Verschlussdeckel an Kraftstofftanks und Benzinkanistern wieder fest verschließen.
 - Vor dem Kippen des Rasenmähers für Arbeiten am Schneidwerkzeug oder zum Ablassen des Öls den Kraftstofftank leeren.
- B4. Defekte Schalldämpfer austauschen.
- B5. Das Gerät vor dem Gebrauch grundsätzlich einer Sichtprüfung unterziehen. Dabei insbesondere sicherstellen, dass das Schneidwerkzeug, die Schrauben des Schneidwerkzeugs und die Schneidwerkzeugbaugruppe nicht verschlissen oder beschädigt sind. Verschlissene oder beschädigte Schneidwerkzeuge und Schrauben im Satz austauschen, damit kein Ungleichgewicht entsteht.

BETRIEB

- C1. Den Motor nicht in einem geschlossenen Raum betreiben, in dem sich gefährliche Kohlenmonoxidämpfe ansammeln können.
- C2. Nur bei Tageslicht oder ausreichend hellem Kunstlicht mähen. Achten Sie auf die Einhaltung der gesetzlichen Bestimmungen, die von Region zu Region unterschiedlich sein können.
- C3. Bei Schlechtwetter, wie beispielsweise einem Gewitter oder Sturm, das Gerät stoppen.
- C4. Der Einsatz des Geräts in nassem Gras ist möglichst zu vermeiden.
- C5. Beim Mähen stets den Sicherheitsabstand – entsprechend der Länge des Lenkers – zum Schneidwerkzeug halten.
- C6. Immer gehen, nicht laufen. Nicht den Rasenmäher das Tempo bestimmen lassen.
- C7. In abschüssigem Gelände auf sicheren Tritt achten. Nicht in Auf- oder Abwärtsrichtung, sondern immer quer zum Hang mähen.
- C8. Es ist zu beachten, dass der Bediener oder Benutzer für Unfälle und Schäden haftet, die Dritten bzw. am Eigentum von Dritten entstehen. Der Benutzer ist dafür verantwortlich, mögliche Gefahren durch den zu bearbeitenden Untergrund zu prüfen und alle Vorkehrungen zu treffen, die für seine eigene und die Sicherheit Dritter erforderlich sind, insbesondere auf schrägem, unebenem, rutschigem oder instabilem Gelände oder in der Nähe von Löchern, Gräben oder Böschungen.
- C9. Den Rasenmäher nicht an Gefällen größer 20° (36 %) einsetzen.
- C10. Äußerste Vorsicht ist beim Rückwärtsziehen des Rasenmähers in Richtung des Bedieners geboten.
- C11. Das Schneidwerkzeug stoppen, wenn der Rasenmäher zum Überqueren von Straßen oder Wegen usw. angekippt werden muss, ebenso zum Transport des Rasenmähers in den und aus dem Arbeitsbereich.
- C12. Der Rasenmäher darf keinesfalls benutzt werden, wenn die Schutzvorrichtungen oder die Schneidwerkzeugabdeckung beschädigt sind oder Sicherheitsvorrichtungen wie Auswurfabdeckung und/oder Schnittgutsammler fehlen.
- C13. Die Einstellung des Drehzahlbegrenzers nicht verändern und den Motor nicht überdrehen.
- C14. Vor dem Starten des Motors alle Stellteile für das Schneidwerkzeug (Modelle mit Rotostop) und die Antriebskupplung (Modelle mit Radantrieb) ausrücken.
- C15. Den Motor vorschriftsmäßig starten und dabei mit den Füßen in gutem Abstand von dem Schneidwerkzeug stehen.
- C16. Den Rasenmäher zum Starten des Motors nicht ankippen. Den Rasenmäher auf einer ebenen, freien Fläche (kein hohes Gras, kein Hindernis) starten.
- C17. Hände und Füße von drehenden Teilen entfernt halten. Beim Motorstart nicht vor der Auswurföffnung stehen.
- C18. Den Rasenmäher nicht mit laufendem Motor heben oder tragen.
- C19. Den Motor stoppen und den Zündkerzenstecker trennen:
 - Vor jedem Eingriff unter der Schneidwerkzeugabdeckung oder am Auswurfkanal.
 - Vor Arbeiten am Rasenmäher, einschließlich zur Durchführung von Kontroll- und Reinigungsmaßnahmen.
 - Nach dem Kontakt mit einem Hindernis. Prüfen, ob der Rasenmäher Schaden genommen hat. In diesem Fall die notwendigen Reparaturen durchführen und die Arbeit mit dem Rasenmäher erst danach wieder aufnehmen.
 - Wenn der Rasenmäher auffällig vibriert. Sofort die Ursache ermitteln und die notwendigen Reparaturen vornehmen.
- C20. Den Motor stoppen:
 - Bevor der Rasenmäher unbeaufsichtigt zurückgelassen wird.
 - Zum Betanken.
- C21. Das Schneidwerkzeug (Modelle mit Rotostop) oder den Motor stoppen:
 - Beim Anbringen und Entfernen des Schnittgutsammlers.
 - Vor dem Einstellen der Schnitthöhe.
- C22. Vor dem Abschalten des Motors Gas wegnehmen. Kraftstoffhahn durch Drehen schließen.
- C23. Bei Verwendung von anderem als dem in diesem Handbuch empfohlenen Zubehör kann der Rasenmäher beschädigt werden. Schäden dieser Art sind nicht durch die Garantie abgedeckt.
- C24. **VORSICHT**
Die in diesem Handbuch angegebenen Geräusch- und Vibrationspegel sind die Maximalwerte für den Einsatz des Geräts. Der Einsatz von Schneidwerkzeugen mit Unwucht, eine zu hohe Bewegungsgeschwindigkeit und mangelnde Wartung haben erheblichen Einfluss auf Schallemissionen und Vibration. Es ist daher notwendig, vorbeugende Maßnahmen zu ergreifen, um alle etwaigen Schäden durch hohe Geräuschpegel und Belastungen durch Vibrationen zu vermeiden. Stellen Sie sicher, dass das Gerät gut gewartet ist und tragen Sie einen Lärmschutzhelm. Machen Sie Arbeitspausen.

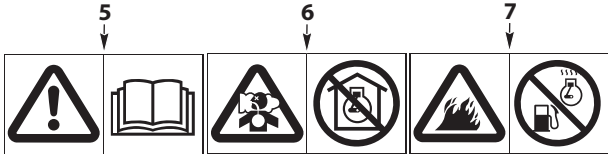
INSTANDHALTUNG UND LAGERUNG

- D1. Der sichere Betriebszustand des Geräts ist nur dann gewährleistet, wenn keine Schrauben und Muttern locker sind usw. In diesem Sinne dient die regelmäßige Wartung in höchstem Maße der Sicherheit des Anwenders und der Zuverlässigkeit des Produkts.
- D2. Das Gerät nicht mit Benzin im Tank in einem Gebäude lagern, in dem Dämpfe mit offenen Flammen, Funken oder Hitzequellen in Kontakt kommen können.
- D3. Den Motor vor der Unterbringung in einer geschlossenen Umhausung abkühlen lassen.
- D4. Zur Verminderung von Brandgefahr halten Sie den Rasenmäher, insbesondere Motor und Schalldämpfer sowie Tankbereich, frei von Gras, Blättern und übermäßigem Schmierfett.
Keine Behälter mit Grasschnitt in einem Gebäude oder in seiner Nähe stehenlassen.
- D5. Den Kraftstofftank nur im Freien und bei kaltem Motor entleeren.
- D6. Den Schnittgutsammler häufiger auf Verschleiß oder Beschädigungen überprüfen.
- D7. Die Maschine nicht einsetzen, wenn Teile verschlissen oder beschädigt sind.
Solche Teile austauschen, nicht reparieren lassen. Bei den Ersatzteilen soll es sich um Honda-Originalteile handeln.
Das Schneidwerkzeug muss das Honda-Symbol und die Teilenummer tragen.
Teile minderer Qualität können zu Schäden an der Maschine führen und bedeuten ein Sicherheitsrisiko.
- D8. Beim Aus- und Einbau des Schneidwerkzeugs oder beim Reinigen der Schneidwerkzeugabdeckung dicke Schutzhandschuhe tragen.
Beim Festziehen und Lösen der Schneidwerkzeugschrauben mit einem Holzklötzchen verhindern, dass sich das Schneidwerkzeug dreht.
- D9. Beim Schärfen des Schneidwerkzeugs darauf achten, dass keine Unwucht entsteht.

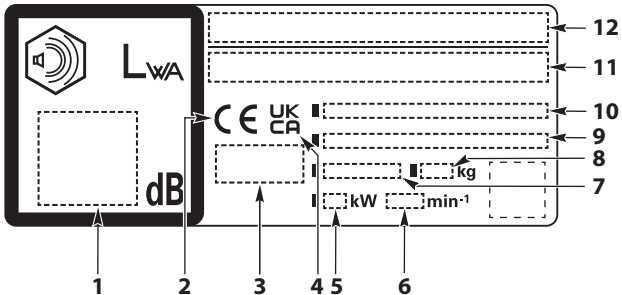
SICHERHEITS-AUFKLEBER

Dieser Aufkleber warnt Sie vor möglichen Gefahren, die zu schweren Verletzungen führen können. Lesen Sie die Bedeutung sorgfältig. Wenn sich der Aufkleber ablöst oder nur noch schwer lesbar ist, wenden Sie sich an Ihren Fachhändler, um den Aufkleber zu ersetzen.

Buchstabe	Bedeutung
A	 <p>1. Warnung: Lesen Sie vor dem Betrieb des Rasenmähers die Bedienungsanleitung.</p> <p>2. Gefahr durch hochgeschleuderte Gegenstände: Bei Betrieb Dritte vom Gefahrenbereich fernhalten.</p> <p>3. Verletzungsgefahr. Gefahr durch umlaufende Schneidwerkzeuge: Hände und Füße fernhalten. Vor allen Wartungs- oder Reparaturarbeiten den Zündkerzenstecker abziehen.</p> <p>4. Beim Betrieb müssen die Auswurfabdeckung oder der Schnittgutsammler angebracht sein.</p>

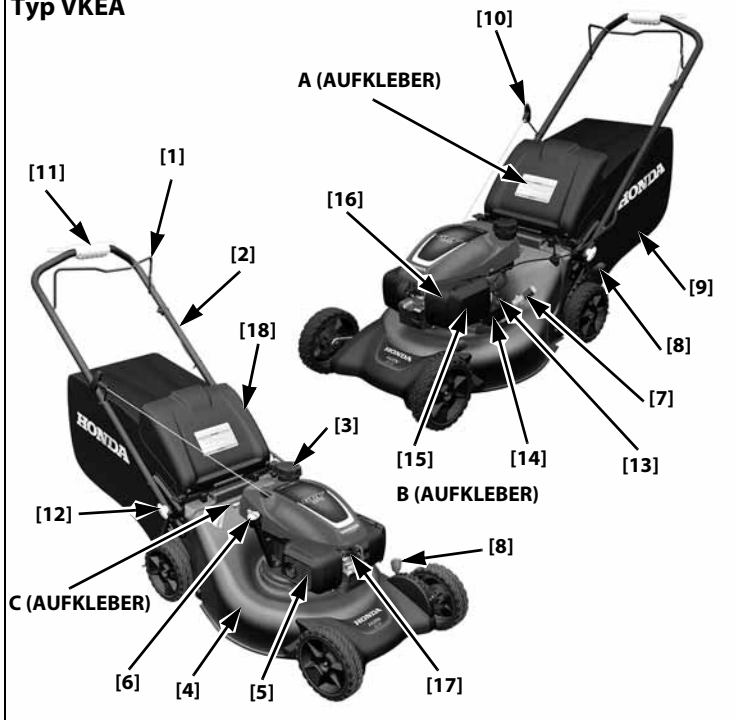
B	 <p>5. Warnung: Lesen Sie vor dem Betrieb des Rasenmähers die Bedienungsanleitung.</p> <p>6. Der Motor stößt giftiges Kohlenmonoxid aus. Nicht in geschlossenen Räumen betreiben.</p> <p>7. Benzin ist hochentzündlich. Vor dem Betanken den Motor abstellen.</p>
---	--

TYPENSCHILD

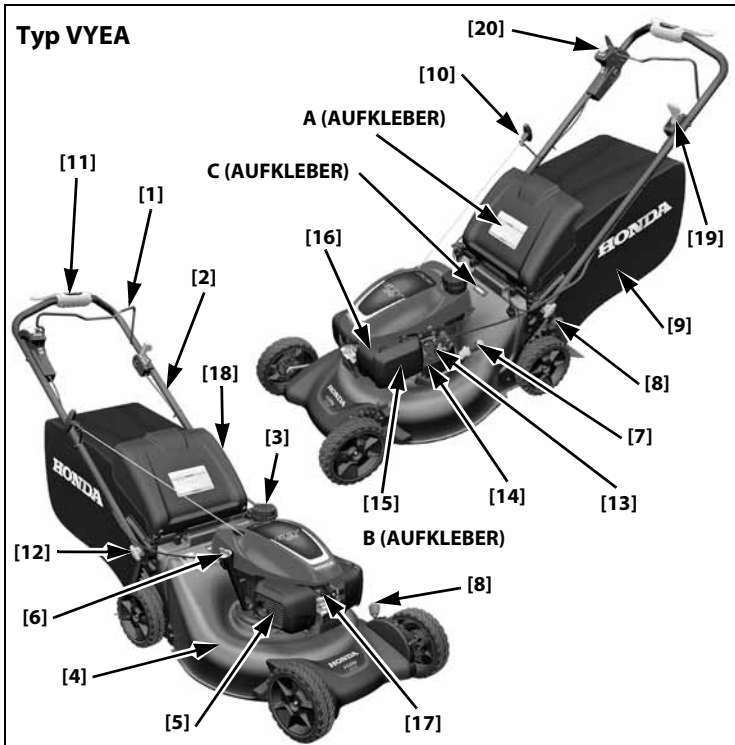
Buchstabe	Bedeutung
C	 <p>1. Schall-Leistungspegel</p> <p>2. CE-Zeichen</p> <p>3. Optionales Konformitätszeichen</p> <p>4. UK-Konformitätszeichen (für Großbritannien)</p> <p>5. Nennleistung in Kilowatt</p> <p>6. Empfohlene Motordrehzahl in min^{-1}</p> <p>7. Monat und Jahr der Herstellung</p> <p>8. Gewicht in Kilogramm (mit leeren Tanks)</p> <p>9. Rahmen-Seriennummer (Typ und Seriennummer der Konformitätserklärung)</p> <p>10. Modell – Typenbezeichnung</p> <p>11. Name und Anschrift des Bevollmächtigten</p> <p>12. Name und Anschrift des Herstellers</p>

ALLGEMEINE BESCHREIBUNG

Typ VKEA



Typ VYEA



1	Schneidwerkzeug-Stellteil (Startet und stoppt das Schneidwerkzeug)
2	Lenker
3	Kraftstofftankdeckel
4	Schneidwerkzeugabdeckung
5	Schalldämpfer
6	Öleinfüllverschluss
7	Knopf für Schnittgutsteuerung
8	Schnitthöhen-Einstellhebel (2)
9	Schnittgutsammler
10	Seilzugstarter

11	Smart Drive-Steuerung
12	Lenkereinstellknopf (2)
13	Kraftstoffhahn
14	Motor-Seriennummer
15	Luftfilter
16	Vergaser
17	Zündkerzenstecker
18	Auswurfabdeckung
19	Gashebel (VYEA)
20	Roto-Stop-Taste (VYEA)

VORBEREITUNG UND KONTROLLEN VOR INBETRIEBNAHME

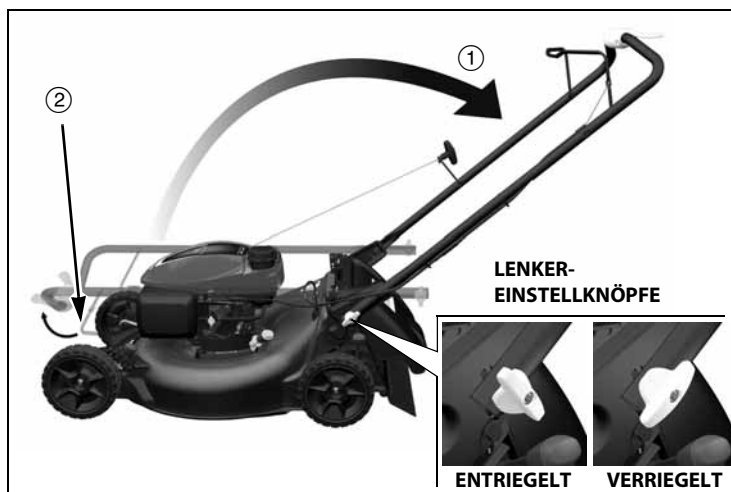


AUSPACKEN

Den gesamten Karton um den Lenker herum entfernen.

MONTAGE DES LENKERS

Die Einstellknöpfe des Lenkers in die entriegelte Position drehen und den Lenker dann vorsichtig in die Mähposition ① heben. Beim Typ VKEA muss das Stellteil für das Schneidwerkzeug ② an den Lenker herangezogen werden.



Die Einstellknöpfe mit einem der beiden Löcher an jeder Lenkerstrebe ausrichten. Wenn Sie die Einstellknöpfe in die untersten Löcher einrasten, ist der Lenker in der höchsten Position.

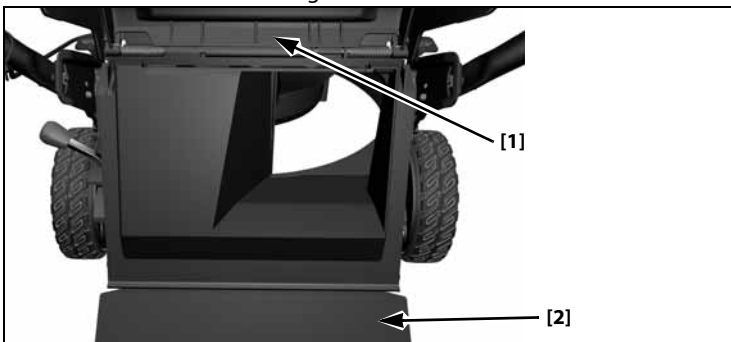
Die Einstellknöpfe für den Lenker um 90 Grad in die verriegelte Position drehen und sicherstellen, dass beide Seiten auf derselben Höhe sind.

ZUR BEACHTUNG

Darauf achten, dass die Seilzüge nicht eingeklemmt, gequetscht oder geknickt werden, wenn Sie den Lenker ausklappen. Die Seilzüge oder die Motorsteuerung können beschädigt werden.

KONTROLLE DES HINTEREN SCHUTZSCHILDS

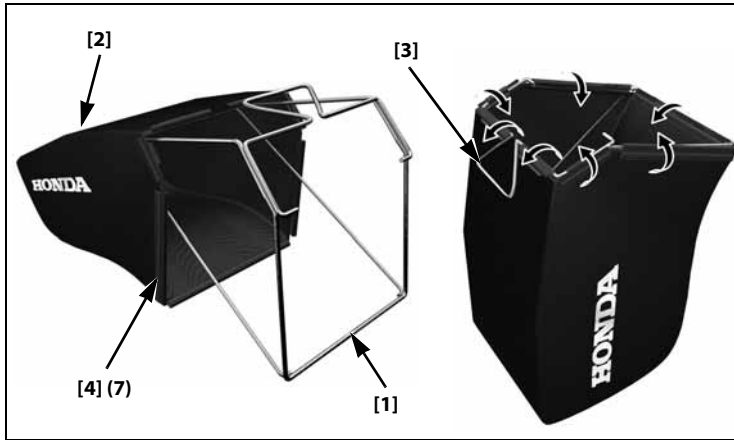
Bei normalem Gebrauch unterliegt das hintere Schutzschild Abnutzung und Verschleiß. Den Schnittgutsammler abnehmen und die Auswurfabdeckung [1] anheben, um das hintere Schutzschild [2] auf Risse zu prüfen. Wenn das hintere Schutzschild übermäßig abgenutzt ist, lassen Sie es von Ihrem Honda-Vertragshändler austauschen.



KONTROLLE DES SCHNITTGUTSAMMLERS



1. Den zusammengebauten Rahmen [1] in den Schnittgutsammler [2] einsetzen, sodass der Griff des Schnittgutsammlers [3] zugänglich bleibt.
2. Die sieben Kunststoffklammern [4] anbringen, um den Schnittgutsammler am Rahmen zu befestigen.



Ein Rasenmäher funktioniert wie ein Staubsauger; er bläst Luft in den Schnittgutsammler, wodurch der Grasschnitt angesaugt wird. Den Schnittgutsammler immer ausleeren, bevor er ganz gefüllt ist. Wenn der Schnittgutsammler zu etwa 90 % gefüllt ist, verringert sich die Fangleistung. Außerdem lässt sich der Schnittgutsammler leichter entleeren, wenn er nicht zu voll ist.

Inspektion

Bei normalem Gebrauch unterliegt das Material des Schnittgutsammlers Abnutzung und Verschleiß.

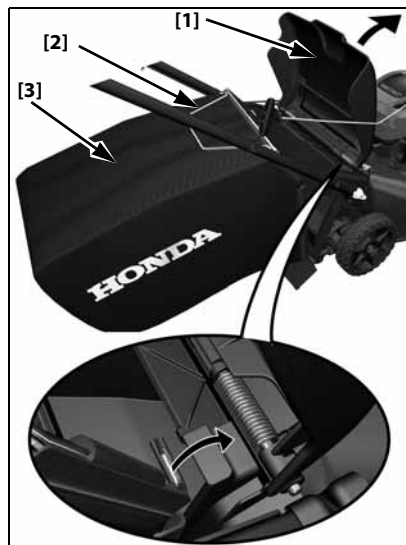
ZUR BEACHTUNG

Den Schnittgutsammler regelmäßig auf Risse, Löcher und übermäßige Abnutzung überprüfen. Prüfen, ob ein Austausch erforderlich ist. Sicherstellen, dass der neue Schnittgutsammler den Originalspezifikationen entspricht.

Wenn der Schnittgutsammler ersetzt werden muss, können Sie diesen selbst aus- und wieder einbauen (page 14).

Installation

1. Die Auswurfabdeckung [1] anheben und den Schnittgutsammler [3] mit dem Schnittgutsammlergriff [2] wie abgebildet in die Schneidwerkzeugabdeckung einhaken.
2. Die Auswurfabdeckung loslassen, um den Schnittgutsammler zu fixieren.



Ausbau

1. Die Auswurfabdeckung anheben, den Griff des Schnittgutsammlers greifen und den Schnittgutsammler abnehmen.
2. Die Auswurfabdeckung loslassen.
3. Wenn der Schnittgutsammler frei von der Auswurfabdeckung ist, können Sie diesen durch die Öffnung im Lenker heben oder in Richtung Rückseite des Mähers unterhalb des Lenkers herausnehmen.

KONTROLLE DES KRAFTSTOFFSTANDS



Dieser Motor ist für den Betrieb mit bleifreiem Benzin mit mindestens 91 Oktan ausgelegt.

Kraftstoffspezifikation(en) erforderlich zur Aufrechterhaltung der Leistungsfähigkeit des Schadstoffbegrenzungssystems: E10-Kraftstoff in EU-Verordnung referenziert.

Wir empfehlen, nach jedem Gebrauch aufzutanken, um Luft im Kraftstofftank zu minimieren.

An einem gut belüfteten Ort auftanken, bevor Sie den Motor starten. Wenn der Motor bereits gelaufen ist, lassen Sie ihn abkühlen. Den Mäher keinesfalls in einem Gebäude betanken, falls Benzindämpfe mit Flammen oder Funken in Kontakt kommen können.

Es kann normales bleifreies Benzin mit höchstens 10 Volumenprozent Ethanol (E10) oder 5 Volumenprozent Methanol verwendet werden. Kraftstoff mit Methanol muss Co-Lösungsmittel und Korrosionsschutzmittel enthalten. Die Verwendung von Kraftstoffen mit einem höheren Ethanol- oder Methanolanteil als oben angegeben kann zu Start- und/oder Leistungsproblemen führen. Es können auch Metall-, Gummi- und Kunststoffteile des Kraftstoffsystems beschädigt werden. Ethanol ist hygroskopisch, d. h. es zieht Wasser an und speichert es im Kraftstoffsystem. Motorschäden oder Leistungsprobleme, die auf die Verwendung eines Kraftstoffs mit einem höheren Ethanol- oder Methanolanteil als oben angegeben zurückzuführen sind, werden nicht von der Garantie abgedeckt. Die Verwendung des oben angegebenen Kraftstoffs ist notwendig, um die Leistung des Schadstoffbegrenzungssystems zu erhalten.

Falls das Gerät nur selten oder mit Unterbrechungen verwendet wird (mehr als 4 Wochen bis zur nächsten Verwendung), bitte den Abschnitt *Kraftstoff* im Kapitel LAGERUNG (page 16) lesen. Dort finden Sie weitere Informationen zur Verschlechterung des Kraftstoffs.

⚠️ WARNUNG

Benzin ist hochentzündlich und hochexplosiv.

Der Umgang mit Kraftstoff kann zu Verbrennungen oder schweren Verletzungen führen.

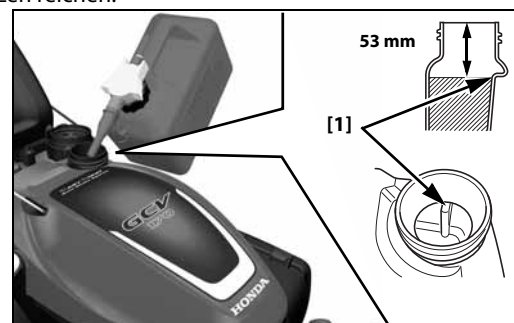
- Den Motor abstellen und abkühlen lassen.
- Hitze, Funken und Flammen fernhalten.
- Kraftstoff nur im Freien handhaben.
- Verschütteten Kraftstoff sofort aufwischen.

Keinesfalls abgestandenes oder verunreinigtes Benzin oder ein Öl-Benzin-Gemisch verwenden. Vermeiden, dass Schmutz oder Wasser in den Kraftstofftank gelangt.

ZUR BEACHTUNG

Kraftstoff kann Lacke und Kunststoffe beschädigen. Beim Befüllen des Kraftstofftanks darauf achten, keinen Kraftstoff zu verschütten. Durch verschütteten Kraftstoff verursachte Schäden sind nicht durch die Garantie abgedeckt.

Den Tankdeckel abnehmen und den Kraftstoffstand überprüfen. Bis zur oberen Markierung [1] nachtanken, wenn der Kraftstoffstand niedrig ist. Vorsichtig tanken, um ein Verschütten von Kraftstoff zu vermeiden. Nicht zu viel Kraftstoff einfüllen. Der Kraftstoff sollte nicht bis in den Einfüllstutzen reichen.



Den Tankdeckel nach dem Tanken fest anziehen.

Den Mäher vor Starten des Motors mindestens 3 Meter vom Ort des Auftankens entfernen.

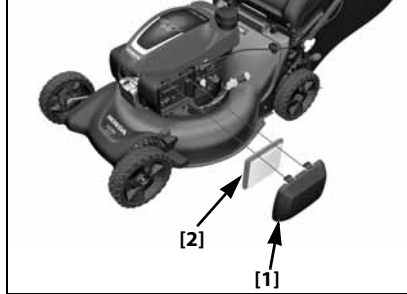
Kraftstoffbehälter

Benzin in einem sauberen, versiegelten Kunststoffbehälter aufbewahren, der für die Lagerung von Kraftstoff zugelassen ist. Die Entlüftung (falls vorhanden) schließen, wenn der Behälter nicht verwendet wird, und den Behälter vor direkter Sonneneinstrahlung geschützt lagern. Wenn der Kraftstoff länger als 3 Monate in dem Behälter aufbewahrt wird, empfehlen wir, einen Kraftstoffstabilisator hinzuzufügen.

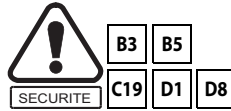


KONTROLLE DES LUFTFILTERS

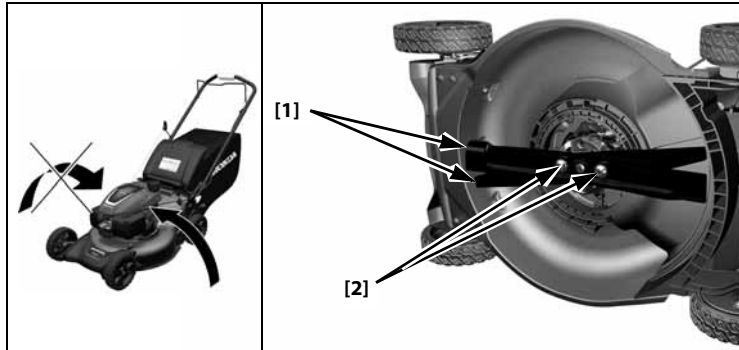
Den Luftfilterdeckel [1] entfernen. Sicherstellen, dass der Filter [2] sauber und in einwandfreiem Zustand ist. Ein verschmutzter Luftfilter beeinträchtigt den Luftstrom zum Vergaser und verringert die Motorleistung. Für Informationen zur Wartung des Luftfilters siehe page 11.



KONTROLLE DES SCHNEIDWERKZEUGS



1. Den Kraftstoffhahn auf AUS stellen (page 9) und den Zündkerzenstecker von der Zündkerze abziehen (page 12).
2. Den Mäher auf die rechte Seite kippen, sodass der Tankdeckel oben ist. Dadurch wird verhindert, dass Kraftstoff ausläuft, Motoröl in den Luftfilter eindringt und der Motor schwer anspringt.
3. Das Schneidwerkzeug [1] und die Schrauben für das Schneidwerkzeug [2] auf Schäden, Risse, übermäßigen Verschleiß, Rost oder Korrosion überprüfen.



⚠️ WARNUNG

Ein verschlissenes, rissiges oder beschädigtes Schneidwerkzeug kann brechen und Teile des beschädigten Schneidwerkzeugs können zu gefährlichen Geschossen werden.

Herausgeschleuderte Gegenstände können zu schweren Verletzungen führen.

Das Schneidwerkzeug regelmäßig überprüfen und den Mäher nicht mit einem verschlissenen oder beschädigten Schneidwerkzeug betreiben.

Ein stumpfes Schneidwerkzeug kann geschärft werden, aber ein verschlissenes, verbogenes, rissiges oder anderweitig beschädigtes Schneidwerkzeug muss ersetzt werden. Ein verschlissenes oder beschädigtes Schneidwerkzeug kann brechen und Teile des Schneidwerkzeugs können aus dem Mäher herausgeschleudert werden.

Wenn ein Schneidwerkzeug geschärft oder ersetzt werden muss, den Rasenmäher zu einem Honda-Vertragshändler bringen. Wenn Sie einen Drehmomentschlüssel haben, können Sie das Schneidwerkzeug auch selbst aus- und wieder einbauen.

Prüfen, ob die Schrauben des Schneidwerkzeugs fest angezogen sind (page 13).

EINSTELLUNG DER SCHNITTHÖHE



Auf der linken Seite des Rasenmähers befinden sich zwei Hebel zur Einstellung der Schnitthöhe. Mit dem Hebel [1] am linken Vorderrad stellen Sie die Höhe der Vorderräder ein, und mit dem Hebel [2] am linken Hinterrad stellen Sie die Höhe der Hinterräder ein. Beide Hebel können auf eine von sieben Stufen eingestellt werden. Die tatsächliche Höhe des geschnittenen Grases hängt von der Rasen- und Bodenbeschaffenheit ab.

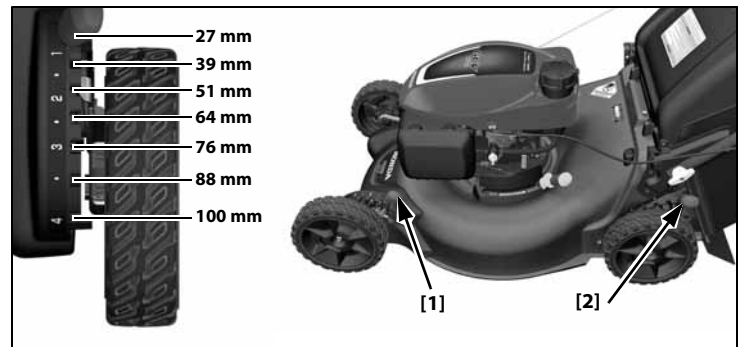
Sicherstellen, dass der Motor nicht läuft, wenn Sie die Schnitthöhe einstellen.

Die vorderen und den hinteren Einstellhebel auf dieselbe Position einstellen, nach vorne für einen langen Schnitt und nach hinten für einen kurzen Schnitt.

Die Schnitthöheneinstellungen der Schneidwerkzeugabdeckung überprüfen und sicherstellen, dass beide Einstellhebel [1] und [2] auf dieselbe Schnitthöhe eingestellt sind.

Bei Einstellen der Schnitthöhe zuerst den hinteren Einstellhebel anpassen. Den Lenker greifen und den Mäher leicht anheben. Dann den Einstellhebel zum Rad hin ziehen und die gewünschte Höhe einstellen. Den vorderen Einstellhebel auf dieselbe Höhe wie die hintere Höheneinstellung einstellen.

Wenn Sie nicht sicher sind, was die optimale Schnitthöhe ist, mit einer hohen Einstellung beginnen und das Aussehen des Rasens überprüfen, wenn Sie eine kleine Fläche gemäht haben. Die Schnitthöhe dann gegebenenfalls anpassen.



Wenden Sie sich an eine Gärtnerei oder ein Rasen- und Gartencenter vor Ort, um Empfehlungen für die Schnitthöhe sowie Informationen zu spezifischen Gräserarten und Wachstumsbedingungen in Ihrer Region zu erhalten.



AUSREICHEND LANG

Bei genauem Hinsehen sehen Sie, dass die meisten Gräser Stängel und Blätter haben. Wenn Sie die Blätter abschneiden, kürzen Sie den Rasen zu stark. Das Gras muss sich zwischen den Mähvorgängen erholen. Der Mäher funktioniert dann besser, und Ihr Rasen sieht ansprechender aus.

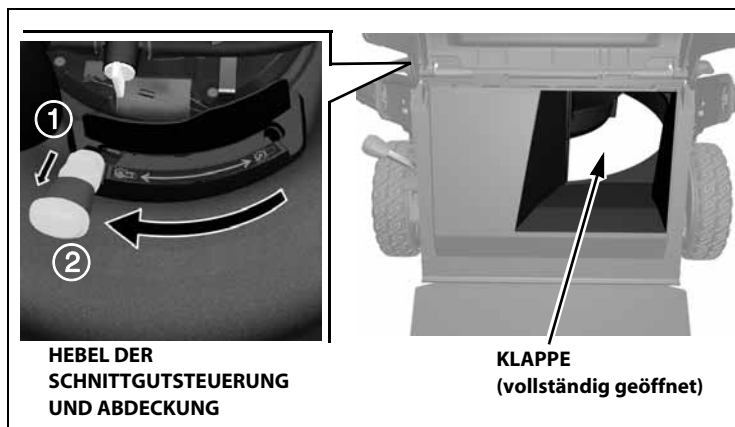


ZU KURZ

Wenn der Rasen zu hoch wird, mähen Sie ihn einmal mit der höchsten Schnitthöheneinstellung und dann in 2 oder 3 Tagen erneut. Mähen Sie nicht mehr als ein Drittel der Gesamthöhe des Grases, da sonst braune Flecken entstehen können.

Schnittgutsammler oder Heckauswurf

Verriegelung ① freigeben und den Hebel für die Schnittgutsteuerung auf die Position für das Sammeln ② stellen.



Um das Schnittgut nach hinten auszuwerfen, den Schnittgutsammler abnehmen und den Knopf für die Schnittgutsteuerung auf CATCH (Schnittgutsammler) stellen.



STARTEN UND STOPPEN DES MOTORS



VORSICHTSMAßNAHMEN BEIM MÄHEN

Vor der ersten Verwendung des Mähers lesen Sie bitte die *SICHERHEITSHINWEISE* (page 2) und die Informationen unter *VORBEREITUNG UND KONTROLLEN VOR INBETRIEBNAHME* (page 4).

Auch wenn Sie bereits andere Mäher bedient haben, nehmen Sie sich die Zeit, sich mit der Funktionsweise dieses Mähers vertraut zu machen, und üben Sie in einem sicheren Bereich, bis Sie mit dem Gerät vertraut sind.

Den Motor zu Ihrer Sicherheit nicht in einem geschlossenen Raum starten oder betreiben, z. B. in einer Garage. Die Auspuffgase des Rasenmähers enthalten giftiges Kohlenmonoxid, das sich in einem geschlossenen Raum schnell ansammelt und zu Krankheit oder Tod führen kann.

REGELMÄßIGE NUTZUNG

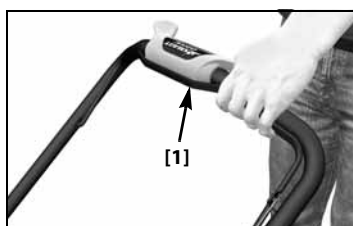
Falls das Gerät nur selten oder mit Unterbrechungen verwendet wird (mehr als 4 Wochen bis zur nächsten Verwendung), bitte den Abschnitt *Kraftstoff* im Kapitel *LAGERUNG* (page 16) lesen. Dort finden Sie weitere Informationen zur Verschlechterung des Kraftstoffs.

STARTEN DES MOTORS

1. Den Kraftstoffhahn auf EIN (offen) stellen (page 9).

2. Typ VKEA:

Das Stellteil für das Schneidwerkzeug [1] nach hinten ziehen und gegen den Lenker halten.



Zum Starten des Motors muss der Hebel am Lenker anliegen. Das Schneidwerkzeug beginnt sich zu drehen, wenn der Hebel am Lenker anliegt und der Seilzugstarter gezogen wird.

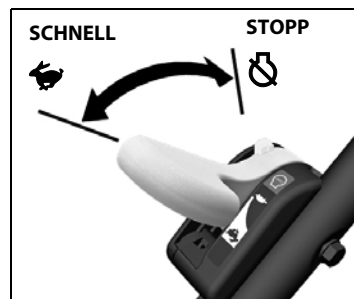
Typ VYEA:

Den Gashebel in die Stellung SCHNELL bringen.

3. Leicht am Startergriff ziehen, bis Sie einen Widerstand spüren, und dann kräftig und schnell ziehen. Den Startergriff langsam zurückführen.

Typ VKEA: Das Stellteil für das Schneidwerkzeug weiterhin

gegen den Lenker halten. Der Motor stoppt, wenn das Stellteil für das Schneidwerkzeug losgelassen wird.



Um ein einfaches Wiederanlassen und maximale Leistung des Autochoke-Systems zu gewährleisten, beginnen Sie mit dem Mähen, sobald der Motor startet, und lassen Sie den Motor mindestens drei Minuten laufen, bevor Sie ihn abstellen.

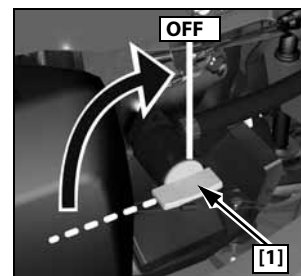
STOPPEN DES MOTORS

1. Typ VKEA: Das Stellteil für das Schneidwerkzeug loslassen, um den Motor und die Rotation des Schneidwerkzeugs zu stoppen.

Typ VYEA: Das Stellteil für das Schneidwerkzeug loslassen, um die Drehung des Schneidwerkzeugs zu stoppen, und dann den Gashebel in die Stellung STOPP bringen.

2. Wenn der Mäher nicht verwendet wird, den Kraftstoffhahn [1] in die Stellung OFF (AUS) bringen.

3. Wenn das Gerät 3 bis 4 Wochen lang nicht benutzt wird, empfehlen wir, den Motor laufen zu lassen, bis der Kraftstoff im Vergaser aufgebraucht ist. Dazu den Kraftstoffhahn auf OFF (AUS) stellen, den Motor erneut starten und laufen lassen, bis der Kraftstoff im Vergaser aufgebraucht ist. See "LAGERUNG" on page 15 bei Stillstandzeiten von mehr als 4 Wochen.



EMPFEHLUNGEN FÜR DEN BETRIEB

BETRIEB DES RASENMÄHERS IN GROSSEN HÖHEN

In großen Höhen ist das standardmäßige Luft-Kraftstoff-Gemisch des Vergasers zu fett. Die Leistung sinkt und der Kraftstoffverbrauch steigt. Ein zu fettes Gemisch verschmutzt auch die Zündkerze und führt zu Problemen beim Anlassen.

Die Leistung in großen Höhen kann durch spezielle Modifikationen des Vergasers verbessert werden. Wenn Sie Ihren Mäher immer in Höhen über 610 m betreiben, lassen Sie diese Vergaseränderung von einem Honda-Vertragshändler durchführen.

Auch bei entsprechenden Änderungen am Vergaser nimmt die Motorleistung um etwa 3,5 % pro 300 Meter Höhenunterschied ab. Die Auswirkungen der Höhe auf die Leistung sind größer, wenn keine Anpassung des Vergasers vorgenommen wird.

ZUR BEACHTUNG

Wenn der Vergaser für den Betrieb in großen Höhen modifiziert wurde, ist das Luft-Kraftstoff-Gemisch zu mager für den Betrieb in niedrigen Höhen. Der Betrieb mit einem modifizierten Vergaser in Höhen unter 610 Metern kann zu Überhitzung des Motors und zu schweren Motorschäden führen. Lassen Sie den Vergaser für den Betrieb in niedrigen Höhen von Ihrem Honda-Vertragshändler wieder auf die ursprünglichen Werksspezifikationen einstellen.

SICHERE MÄHPRAKTIKEN

Zu Ihrer Sicherheit alle vier Räder auf dem Boden halten und darauf achten, dass Sie nicht den Halt und die Kontrolle über den Mäher verlieren. Den Lenker fest greifen und mit dem Mäher langsam gehen, keinesfalls rennen. Beim Mähen auf unebenem oder unregelmäßigem Boden äußerst vorsichtig vorgehen.

Wenn der Mäher festhängt, diesen keinesfalls mit dem Fuß treten oder schieben. Den Mäher mit dem Lenker steuern.

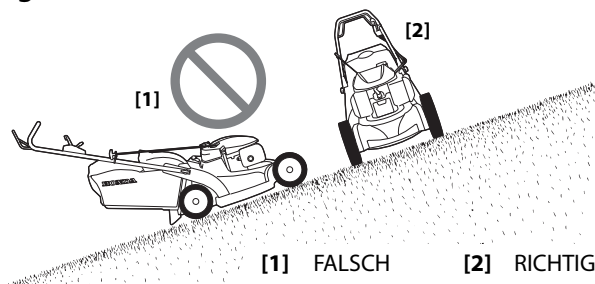
⚠️ WARNUNG

Die Schneidwerkzeuge sind scharf und drehen sich mit hoher Geschwindigkeit.

Kontakt mit einem sich drehenden Schneidwerkzeug kann zu schweren Schnittverletzungen führen und Finger und Zehen abtrennen.

- Schützendes Schuhwerk tragen.
- Hände und Füße bei laufendem Motor von der Schneidwerkzeugabdeckung fernhalten.
- Den Motor stoppen, bevor Sie Einstellungen, Inspektionen oder Wartungsarbeiten durchführen.

Abhänge



Quer zum Hang mähen, nicht bergauf und bergab. Steile Hänge (mehr als 20°/36 %) meiden und vorsichtig agieren, wenn Sie die Richtung ändern. Wenn das Gras beim Mähen an einem Hang feucht oder nass ist, können Sie ausrutschen, stürzen und die Kontrolle über den Mäher verlieren.

Hindernisse

Die Seite des Mähers verwenden, um nahe an großen Hindernissen wie Zäunen oder Mauern zu mähen.

Die Smart Drive-Steuerung loslassen, um den Antrieb zu deaktivieren, wenn Sie um Bäume oder andere Hindernisse herum mähen. Den Mäher für eine optimale Richtungskontrolle um Hindernisse schieben. Vorsichtig vorgehen, wenn Sie über Hindernisse im Rasen mähen, z. B. Sprinklerköpfe, Pflastersteine, Einfassungen usw. Alles vermeiden, was über die Oberfläche des Rasens hinausragt.

Wenn das Schneidwerkzeug gegen ein Hindernis stößt oder der Mäher zu vibrieren beginnt, den Motor sofort abstellen und auf Schäden überprüfen. Der Kontakt mit Hindernissen kann das Schneidwerkzeug beschädigen, die Kurbelwelle verbiegen und/oder die Schneidwerkzeugabdeckung oder andere Komponenten beschädigen. Vibrationen sind in der Regel ein Zeichen für ernsthaftige Probleme.

⚠️ WARNUNG

Ein verschlissenes, rissiges oder beschädigtes Schneidwerkzeug kann brechen und Teile des beschädigten Schneidwerkzeugs können zu gefährlichen Geschossen werden.

Herausgeschleuderte Gegenstände können zu schweren Verletzungen führen.

Das Schneidwerkzeug regelmäßig überprüfen und den Mäher nicht mit einem verschlissenen oder beschädigten Schneidwerkzeug betreiben.

Die Gewährleistung deckt keine Teile ab, die durch Zusammenstöße beschädigt wurden.

Schotter und lose Gegenstände

Schotter, lose Steine und Landschaftsbaumaterial kann vom Mäher aufgenommen und mit hoher Kraft herausgeschleudert werden, was zu schweren Verletzungen und/oder Sachschäden führen kann. Der beste Weg, Verletzungen durch herausgeschleuderte Gegenstände zu vermeiden, ist, das Stellteil für das Schneidwerkzeug loszulassen, um das Schneidwerkzeug vor dem Erreichen von Schotter, losen Steinen oder Landschaftsbaumaterial anzuhalten.

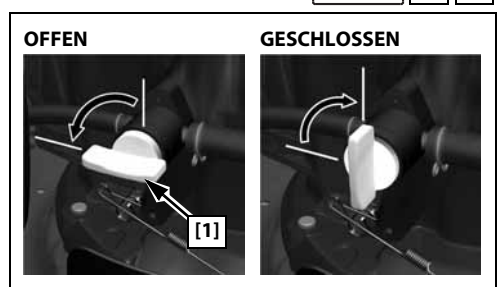
VERWENDEN DER BEDIENELEMENTE

FÜR DAS MÄHEN



Kraftstoffhahn

Der Kraftstoffhahn [1] öffnet und schließt die Verbindung zwischen Kraftstofftank und Vergaser.



Bedienung des Schneidwerkzeugs

Typ VKEA

Zum Starten und Betreiben des Motors muss das Stellteil für das Schneidwerkzeug [1] an den Lenker herangezogen werden. Das Schneidwerkzeug beginnt sich zu drehen, wenn das Stellteil am Lenker anliegt und der Seilzugstarter gezogen wird.



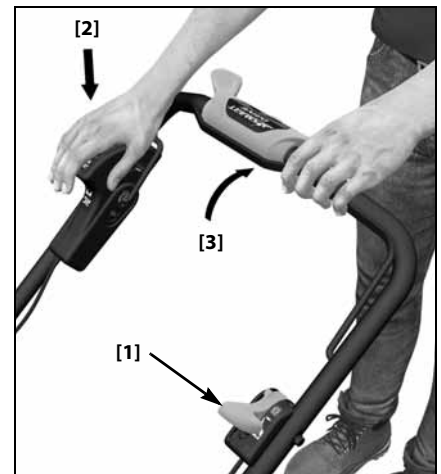
Das Stellteil für das Schneidwerkzeug weiterhin gegen den Lenker gezogen halten. Dadurch drehen sich Motor und Schneidwerkzeug gleichmäßig und das Steuersystem des Schneidwerkzeugs unterliegt keinem vorzeitigen Verschleiß.

Das Stellteil für das Schneidwerkzeug loslassen, um den Motor und die Rotation des Schneidwerkzeugs zu stoppen, wenn Sie den Mäher verlassen müssen.

Typ VYEA

Um die Rotation des Schneidwerkzeugs zu starten, stellen Sie sicher, dass der Motor läuft und der Gashebel [1] in der Stellung SCHNELL steht.

1. Den Roto-Stop®-Knopf [2] **gedrückt halten**.
2. Das Stellteil für das Schneidwerkzeug [3] schnell an den Lenker heranziehen, damit der Motor das Schneidwerkzeug auf volle Geschwindigkeit bringen kann. Die Roto-Stop-Taste dann loslassen.



Den Hebel für das Schneidwerkzeug weiterhin gegen den Lenker gezogen halten, um die Rotation des Schneidwerkzeugs beizubehalten. Das Stellteil für das Schneidwerkzeug muss immer vollständig herangezogen oder losgelassen werden. Das Stellteil nicht teilweise betätigen.

Das Stellteil für das Schneidwerkzeug loslassen, um die Rotation des Schneidwerkzeugs zu stoppen. Das Stellteil für das Schneidwerkzeug vor Starten des Motors stets loslassen, damit sich das Schneidwerkzeug nicht dreht.

Smart Drive-Steuerung

Bei laufendem Motor und drehendem Schneidwerkzeug langsam die Smart Drive-Steuerung drücken, um den Rasenmäher vorwärts zu bewegen.

Die Arbeitsgeschwindigkeit nimmt zu, je mehr Druck Sie auf die Smart Drive-Steuerung ausüben. Wenn die maximale Geschwindigkeit erreicht ist, wird die Arbeitsgeschwindigkeit durch zusätzlichen Druck nicht weiter erhöht. Nur so viel Druck ausüben, dass die gewünschte Geschwindigkeit erreicht wird.

Die Smart Drive-Steuerung loslassen, um den Antrieb zu deaktivieren, wenn Sie um Bäume oder andere Hindernisse herum mähen. Den Mäher für eine optimale Richtungskontrolle um Hindernisse schieben.

Die Arbeitsgeschwindigkeit variiert je nach Bodenbeschaffenheit, Höhe der Grashalme, Gefälle und Gewicht des Schnittgutsammlers. Durch Bewegen der Smart Drive-Steuerung können Sie die gewünschte Arbeitsgeschwindigkeit bei sich ändernden Mähbedingungen beibehalten.

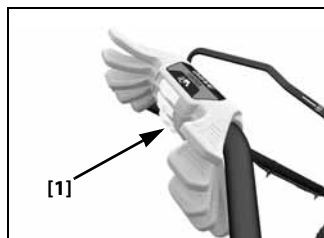
Die Smart Drive-Steuerung loslassen, um die Hinterräder auszukuppeln (anzuhalten).

Einstellen der Smart Drive-Steuerung

Die Smart Drive-Steuerung kann für maximalen Komfort des Bedieners in fünf Positionen nach oben oder unten verstellt werden.

Die Position der Smart Drive-Steuerung nicht verstellen, wenn der Mäher in Bewegung ist.

Den Positionseinsteller [1] nach links schieben, um die Steuerung zu entriegeln, die Smart Drive-Steuerung nach oben oder unten in die für Sie bequemste Position bewegen und den Positionseinsteller dann loslassen, damit er einrastet.

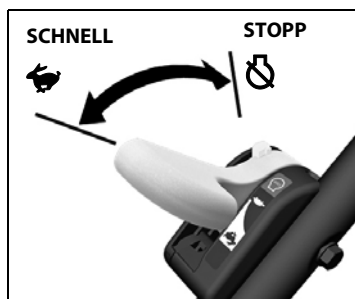


Gashebel

Typ VYEA

Um die beste Schnittqualität zu erzielen, mähen Sie stets mit dem Gashebel in der Stellung SCHNELL. Wenn sich das Schneidwerkzeug mit der voreingestellten schnellen Geschwindigkeit dreht, wird ein starker Gebläseeffekt erzeugt, der das Gras anhebt und mit maximaler Effizienz schneidet.

Die voreingestellte schnelle Motordrehzahl nicht erhöhen. Das Schneidwerkzeug könnte brechen und sich lösen.



TIPPS ZUM MÄHEN

Wann soll ich mähen?

Die meisten Gräser sollten gemäht werden, wenn sie 12 bis 25 mm länger sind als ihre empfohlene Höhe.

Für das Mulchen ist häufigeres Mähen erforderlich als für das Sammeln des Schnittguts. Für optimale Ergebnisse müssen Sie Ihren Rasen während der Wachstumsperiode unter Umständen zweimal pro Woche mähen.

Schnittbreite

Um einen gleichmäßigen Rasen zu erhalten, sollten Sie die Mähstreifen um einige Zentimeter überlappen. Wenn das Gras sehr hoch oder dicht ist, sollten Sie mehr überlappen und mit schmalen Mähstreifen arbeiten.

Geschwindigkeit des Schneidwerkzeugs

Das Schneidwerkzeug muss sich äußerst schnell drehen, um einwandfrei zu mähen.

Wenn die Motordrehzahl sinkt, kann dies ein Zeichen dafür sein, dass der Motor überlastet ist, da das Schneidwerkzeug zu viel Gras schneiden muss. Einen schmalen Streifen mähen, den Mäher langsamer bewegen oder die Schnitthöhe erhöhen.

Schärfe des Schneidwerkzeugs

Ein scharfes Schneidwerkzeug erzeugt einen sauberen Schnitt. Ein stumpfes Schneidwerkzeug reißt das Gras ab und hinterlässt zerfetzte Enden, die braun werden. Wenn das Schneidwerkzeug nicht mehr sauber schneidet, lassen Sie es schärfen oder austauschen.

Trockenes Gras

Wenn der Boden zu trocken ist, wird beim Mähen viel Staub aufgewirbelt. Zu viel Staub ist nicht nur unangenehm bei der Arbeit, sondern verstopft auch den Luftfilter des Vergasers.

Wenn Staub ein Problem ist, gießen Sie Ihren Rasen am Tag vor dem Mähen. Mähen Sie, wenn sich das Gras trocken anfühlt, der Boden aber noch feucht ist.

Nasses Gras

Nasses Gras ist rutschig und kann dazu führen, dass Sie den Halt verlieren. Außerdem verstopft nasses Schnittgut die Schneidwerkzeugabdeckung und bleibt in Klumpen auf dem Rasen zurück. Warten Sie, bis das nasse Gras getrocknet ist, bevor Sie mähen.

Heruntergefallenes Laub

Bei Verwendung des Schnittgutsammlers kann Ihr Mäher zum Aufsammeln von Laub eingesetzt werden. Wenn Sie den Mäher nicht zum Mähen sondern zum Aufsammeln großer Laubmengen verwenden, den vorderen Hebel für die Schnitthöhenverstellung so einstellen, dass die Vorderseite der Schneidwerkzeugabdeckung eine oder zwei Stufen höher ist als die Rückseite.

Wenn Sie das heruntergefallene Laub in den Rasen mulchen möchten, lassen Sie die Laubdecke nicht zu tief werden, bevor Sie beginnen. Sie erhalten dabei das beste Ergebnis, wenn Sie mit dem Mulchen beginnen, solange das Gras noch durch das Laub zu sehen ist. An Stellen, an denen das Laub den Rasen vollständig bedeckt, entfernen Sie das Laub mit einem Rechen oder verwenden Sie den Schnittgutsammler, damit der Mäher das Laub aufnehmen kann.

Blockierung an Schneidwerkzeugabdeckung

Bevor Sie eine Blockierung an der Schneidwerkzeugabdeckung entfernen, den Motor abstellen und den Kraftstoffhahn in die Stellung AUS drehen. Den Mäher bei abgezogenem Zündkerzenstecker so kippen, dass der Luftfilter nach oben zeigt.

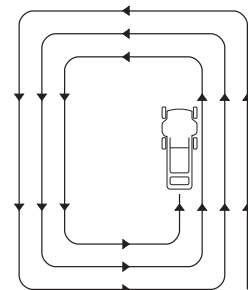
Die Blockierung der Schneidwerkzeugabdeckung mit einem Stab entfernen, keinesfalls mit den Händen.

Mähmuster

Ihr Honda-Mäher arbeitet am effizientesten, wenn Sie mit den folgenden Mähmustern arbeiten. Aufgrund der Konstruktion der Schneidwerkzeugabdeckung und des Geräts sowie der Drehrichtung des Schneidwerkzeugs ergeben diese Mähmuster die besten Ergebnisse.

Mulchen

Mit einem Mähmuster gegen den Uhrzeigersinn arbeiten, wenn der Hebel für die Schnittgutsteuerung auf MULCHEN eingestellt ist. Falls der Mähbereich unregelmäßig geformt ist oder viele Hindernisse aufweist, unterteilen Sie ihn in Abschnitte, in denen Sie ein Mähmuster gegen den Uhrzeigersinn verwenden können.



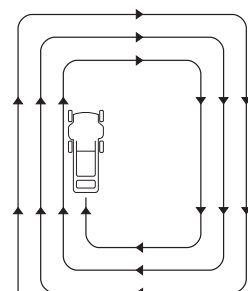
MULCHMUSTER

Sammeln des Schnittguts

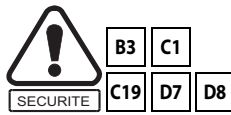
Mit einem Mähmuster im Uhrzeigersinn arbeiten. Damit erzielen Sie die beste Schnitfführung und Sammelleistung und es verbleibt am wenigsten Schnittgut auf dem Rasen.

Mähen mit Heckauswurf

Den Schnittgutsammler abnehmen und die Auswurfabdeckung schließen. Den Hebel für die Schnittgutsteuerung auf CATCH (Schnittgutsammler) einstellen und im Uhrzeigersinn mit dem Mähen beginnen. Falls der Mähbereich unregelmäßig geformt ist oder viele Hindernisse aufweist, unterteilen Sie ihn in Abschnitte.

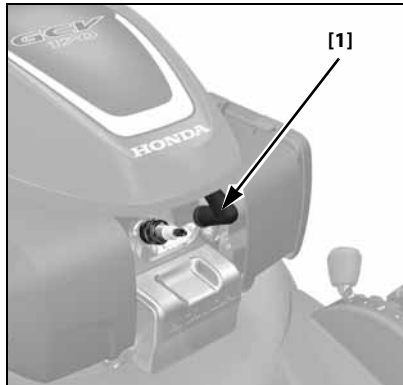


MUSTER FÜR SCHNITTGUTSAMLUNG UND HECKAUSWURF



⚠️ WARNUNG

Vor Beginn einer Wartungsmaßnahme unbeabsichtigtes Anspringen des Motors durch Abziehen des Kerzensteckers [1] verhindern.



DIE BEDEUTUNG DER WARTUNG

Eine ordnungsgemäße Wartung ist für einen sicheren, wirtschaftlichen und störungsfreien Betrieb unerlässlich. Sie trägt auch zur Verringerung der Luftverschmutzung bei und stellt sicher, dass die Emissionswerte des Motors dauerhaft eingehalten werden.

Zur Unterstützung bei der optimalen Pflege Ihres Mähers finden Sie auf den folgenden Seiten einen Wartungsplan sowie Informationen zu Routineinspektionen und einfachen Wartungsarbeiten mit haushaltsüblichen Werkzeugen. Weitere Wartungsarbeiten, die schwieriger sind oder spezielles Werkzeug erfordern, werden am besten von Fachleuten ausgeführt, in der Regel von einem Honda-Techniker oder einem anderweitig qualifizierten Mechaniker.

Der Wartungsplan gilt für normale Betriebsbedingungen. Wenn Sie Ihren Mäher unter ungewöhnlichen Bedingungen betreiben, wenden Sie sich an einen Honda-Vertragshändler für Empfehlungen zu Ihren individuellen Anforderungen.

Denken Sie daran, dass Ihr Vertragshändler Ihren Mäher am besten kennt und für die Wartung und Reparatur bestens ausgerüstet ist.

Um maximale Qualität und Zuverlässigkeit zu gewährleisten, verwenden Sie für Reparaturen und Austausch nur neue Honda-Originalteile oder gleichwertige Teile.

⚠️ WARNUNG

Eine unsachgemäße Wartung oder das Versäumen, ein Problem vor dem Betrieb zu beheben, kann zu einer Fehlfunktion führen, die schwere Verletzungen oder Tod zur Folge haben kann.

Stets die Inspektionsanweisungen, Wartungsempfehlungen und Wartungspläne in dieser Bedienungsanleitung befolgen.

SICHERHEIT BEI DER WARTUNG

Nachfolgend sind einige der wichtigsten Sicherheitsvorkehrungen aufgeführt. Wir können jedoch nicht vor allen eventuellen Gefahren warnen, die bei der Durchführung von Wartungsarbeiten auftreten können. Nur Sie können entscheiden, ob Sie eine bestimmte Aufgabe durchführen sollten oder nicht.

⚠️ WARNUNG

Wenn die Wartungsanweisungen und Vorsichtsmaßnahmen nicht ordnungsgemäß befolgt werden, kann dies zu schweren Verletzungen oder zum Tod führen.

Stets die Verfahren und Vorsichtsmaßnahmen in dieser Bedienungsanleitung befolgen.

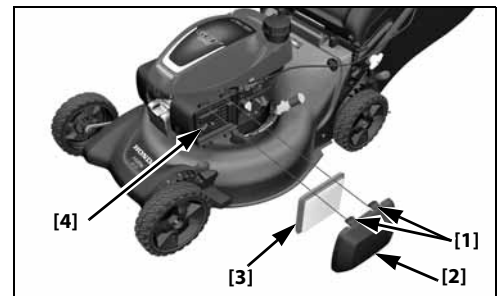
WARTUNG DES LUFTFILTERS

Ein ordnungsgemäß gewarteter Luftfilter verhindert, dass Schmutz in den Motor gelangt. Schmutz im Vergaser kann die kleinen Kanäle des Vergasers passieren und zu vorzeitigem Motorverschleiß führen. Diese kleinen Kanäle können verstopfen und Startprobleme oder Probleme im Betrieb verursachen. Stets den für Ihren Motor spezifizierten original Honda-Luftfilter verwenden, um sicherzustellen, dass er dicht abschließt und seine Aufgabe wie vorgesehen erfüllt. Der Filter muss häufiger gereinigt werden, wenn Sie den Motor unter staubigen Bedingungen betreiben.

ZUR BEACHTUNG

Bei Betrieb des Motors ohne Luftfilter oder mit einem beschädigten Luftfilter gelangt Schmutz in den Motor. Dies führt zu schnellem Motorverschleiß. Diese Art von Schaden ist nicht durch die Garantie abgedeckt.

1. Die Laschen des Luftfilterdeckels [1] nach unten drücken und den Deckel [2] abnehmen.
2. Den Filter [3] aus dem Luftfiltergehäuse [4] herausnehmen.
3. Den Filter untersuchen und austauschen, wenn er beschädigt ist.
4. Den Filter zur Reinigung einige Male auf einer harten Oberfläche ausklopfen oder mit Druckluft (nicht über 2 bar) von der Innenseite her ausblasen. Keinesfalls versuchen, den Schmutz abzubürsten. Durch das Bürsten wird der Schmutz in die Fasern gedrückt.
5. Schmutz auf der Innenseite des Luftfiltergehäuses und des Luftfilterdeckels mit einem feuchten Tuch abwischen. Darauf achten, dass kein Schmutz in den zum Vergaser führenden Luftkanal gelangt.
6. Den Filter und den Luftfilterdeckel wieder anbringen.



MOTORÖLWECHSEL

Das Öl ablassen, wenn der Motor warm ist. Warmes Öl fließt schnell und vollständig ab.



1. Den Kraftstoffhahn auf AUS stellen. Auf diese Weise kann kein Kraftstoff auslaufen (page 9).
2. Den Öleinfüllbereich säubern und dann den Öleinfüllverschluss mit Messstab abnehmen.

3. Einen geeigneten Behälter zum Auffangen des Altöls neben den Mäher stellen und dann den Mäher auf die rechte Seite kippen. Das Altöl läuft durch den Einfüllstutzen ab. Lassen Sie das Öl vollständig ablaufen.



Gebrauchtes Motoröl und die Behälter bitte stets umweltverträgliche Weise entsorgen. Wir empfehlen, Altöl in einem versiegelten Behälter zu Ihrem örtlichen Recyclingzentrum oder Ihrer Tankstelle zu bringen, damit es dort wiederverwertet werden kann. Altöl keinesfalls in den Hausmüll geben oder ins Erdreich oder in einen Abfluss schütten.

4. Füllen Sie das empfohlene Öl ein (page 7).

Nachfüllmenge:
0,35 – 0,40 l

Nicht überfüllen.

Den Ölstand wie unten abgebildet messen.



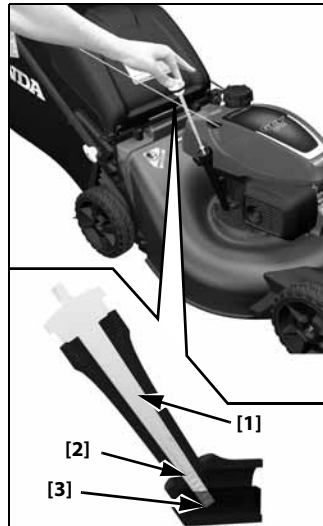
5. Nach dem Motorölwechsel und vor dem Anlassen des Motors den Ölstand des Mähers auf einer ebenen Fläche kontrollieren:

- a. Den Öleinfüllverschluss/Messstab [1] herausziehen.

- b. Den Messstab abwischen.

- c. Den Messstab in den Einfüllstutzen stecken und herausziehen, ohne ihn einzuschrauben. Den am Messstab angezeigten Ölstand prüfen.

- d. Bei einem Ölstand unterhalb der unteren Füllstandmarkierung [3] bis zur oberen Füllstandmarkierung [2] auf dem Messstab Öl nachfüllen. Nicht überfüllen. Bei zu viel Öl im Motor kann das überschüssige Öl in das Luftfiltergehäuse und auf den Luftfilter gelangen.



ZUR BEACHTUNG

Betrieb des Motors mit niedrigem Ölstand kann zu Motorschäden führen.

- e. Den Öleinfüllverschluss mit Messstab eindrehen und festziehen.

KONTROLLE DER ZÜNDKERZE

Verwendete Zündkerze:

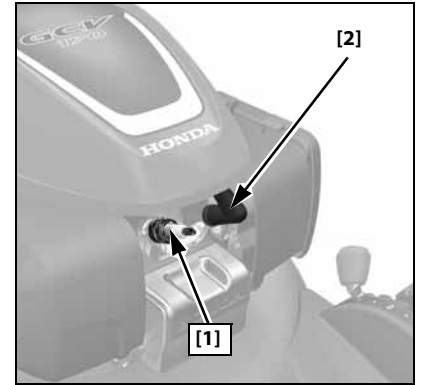
NGK - BPR5ES

ZUR BEACHTUNG

Eine falsche Zündkerze kann den Motor beschädigen.

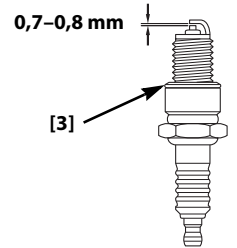
Für eine optimale Leistung muss die Zündkerze [1] den richtigen Abstand haben und frei von Ablagerungen sein.

1. Den Zündkerzenstecker [2] abziehen und jeglichen Schmutz im Bereich der Zündkerze entfernen.
2. Die Zündkerze mit einem Zündkerzenschlüssel ausbauen.



3. Die Zündkerze überprüfen. Die Zündkerze austauschen, wenn Verschleiß an den Elektroden oder Risse bzw. Sprünge am Isolator sichtbar sind.

4. Den Elektrodenabstand der Zündkerze mit einer Fühlerlehre messen. Der Abstand sollte 0,7 – 0,8 mm betragen. Den Abstand ggf. durch vorsichtiges Biegen der Seitenelektrode anpassen.



5. Die Zündkerze vorsichtig von Hand eindrehen, damit das Gewinde nicht verkantet.

6. Nach dem Aufsitzen der Zündkerze mit einem Zündkerzenschlüssel nachziehen, um die Dichtscheibe zusammenzudrücken.

Wenn Sie eine gebrauchte Zündkerze wieder einsetzen, ziehen Sie sie nach dem Aufsitzen mit einer 1/8- bis 1/4-Umdrehung fest.

Eine neue Zündkerze ist nach dem Aufsitzen nochmals um eine 1/2 Drehung festzuziehen, um die Dichtscheibe zusammenzudrücken [3].

ANZUGSMOMENT: 20 N•m

ZUR BEACHTUNG

Eine lockere Zündkerze kann sich überhitzen und den Motor beschädigen. Durch Überziehen der Zündkerze kann das Gewinde im Zylinderkopf beschädigt werden.

7. Den Zündkerzenstecker auf die Zündkerze aufsetzen.

WARTUNG DES FUNKENSCHUTZES (OPTIONALE AUSSTATTUNG)

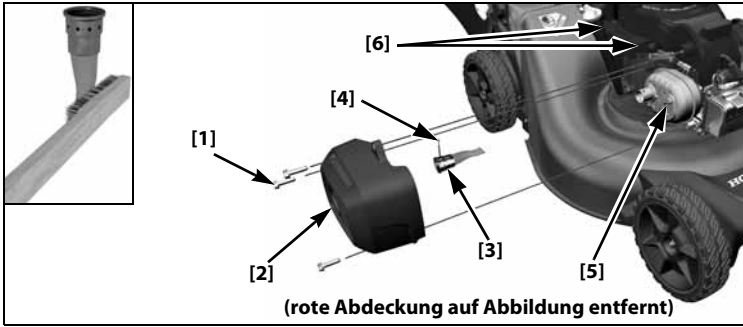
In Europa und anderen Ländern, in denen die Maschinenrichtlinie 2006/42/EG gilt, sollte diese Reinigung von Ihrem Vertragshändler durchgeführt werden.

Der Funkenschutz muss alle 100 Stunden gewartet werden, damit er wie vorgesehen funktioniert.

1. Den Motor abkühlen lassen.
2. Die beiden Laschen der roten oberen Abdeckung [6] auf der Schalldämpferseite des Motors lösen und die rote obere Abdeckung dann leicht anheben, um Zugang zur oberen Schraube des Schalldämpferschutzes zu erhalten.
3. Die drei Schrauben [1] mit einem 10-mm-Steckschlüssel vom Schalldämpferschutz [2] entfernen.
4. Den Schalldämpferschutz [2] abnehmen.
5. Die Stellschraube [4] entfernen.
6. Den Funkenschutz [3] vom Schalldämpfer [5] entfernen.
7. Den Funkenschutz und die Abgasöffnung auf Ölkohleablagerungen überprüfen. Die Ölkohleablagerungen abbürsten. Darauf achten, dass das Sieb des Funkenschutzes nicht beschädigt wird.
8. Den Funkenschutz in den Schalldämpfer einbauen.



9. Den Schalldämpferschutz am Motor anbringen, die drei Schrauben festziehen und dann die rote obere Abdeckung wieder anbringen.



AUS- UND EINBAU DES SCHNEIDWERKZEUGS

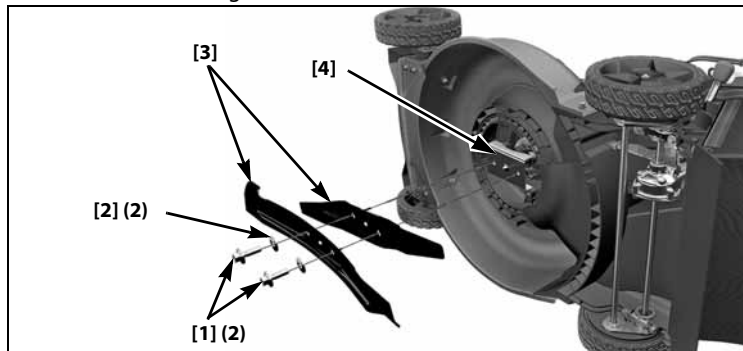
Wenn Sie das Schneidwerkzeug zum Schärfen oder Austauschen ausbauen, benötigen Sie für den Einbau einen Drehmomentschlüssel. Feste Handschuhe tragen, um Ihre Hände zu schützen.

SCHLEIFEN DES SCHNEIDWERKZEUGS Um eine Verschlechterung des Schneidwerkzeugs und in der Folge eine Unwucht oder eine mangelhafte Schnittqualität zu verhindern, sollten Sie das Schneidwerkzeug bei einem Honda-Vertragshändler schärfen lassen.

AUSTAUSCH DES SCHNEIDWERKZEUGS Original Honda-Schneidwerkzeuge oder gleichwertige Teile verwenden.

Ausbau

1. Den Kraftstoffhahn auf AUS stellen und den Zündkerzenstecker abziehen.
2. Den Mäher auf die rechte Seite kippen, sodass der Tankdeckel oben ist. Dadurch wird verhindert, dass Kraftstoff ausläuft, Motoröl in den Luftfilter eindringt und der Motor schwer anspringt.
3. Die Schrauben des Schneidwerkzeugs [1] und die speziellen Unterlegscheiben [2] mit einem 14-mm-Steckschlüssel entfernen. Dabei dicke Lederhandschuhe tragen und das Schneidwerkzeug [3] mit der Hand festhalten, damit es sich beim Entfernen der Schrauben nicht dreht. Das Schneidwerkzeug abnehmen.
4. Den Schneidwerkzeughalter (VKEA) bzw. die Roto-Stop-Baugruppe (VYEA) [4] und die Befestigungsfläche des Schneidwerkzeugs auf Beschädigungen überprüfen. Falls eine Beschädigung festgestellt wird oder das Schneidwerkzeug Kontakt mit einem harten Gegenstand hatte, die beschädigten Teile ersetzen.



Installation

1. Schmutz und Gras im Montagebereich des Schneidwerkzeugs beseitigen.
2. Die beiden Schneidwerkzeuge [3] mit den zwei Schneidwerkzeugschrauben [1] und Spezialunterlegscheiben [2] wie abgebildet montieren. Darauf achten, dass die Spezialunterlegscheiben mit der konkaven Seite zum Schneidwerkzeug und der konvexen Seite zum Schraubenkopf hin montiert werden.

⚠️ WARNUNG

Wird der Mäher mit nur einem Schneidwerkzeug betrieben, sitzt dieses falsch und kann aus dem Mäher geschleudert werden und umstehende Personen schwer verletzen oder töten.

Montieren Sie immer beide Schneidwerkzeuge zusammen als Satz.

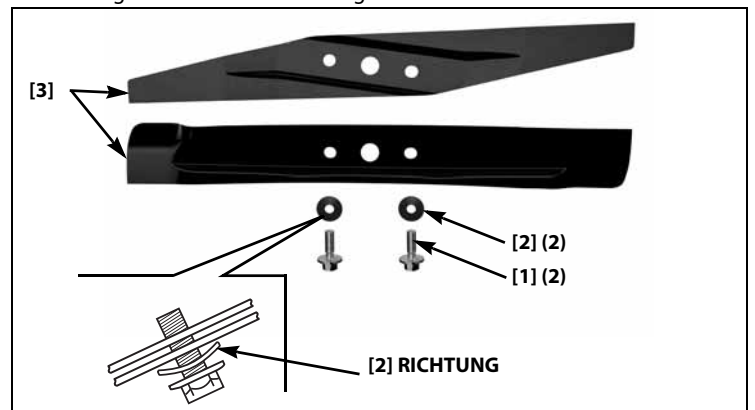
⚠️ WARNUNG

Wenn die Schneidwerkzeugschrauben nicht mit dem korrekten Anzugsmoment angezogen werden, kann sich das Schneidwerkzeug lösen und aus dem Mäher herausgeschleudert werden.

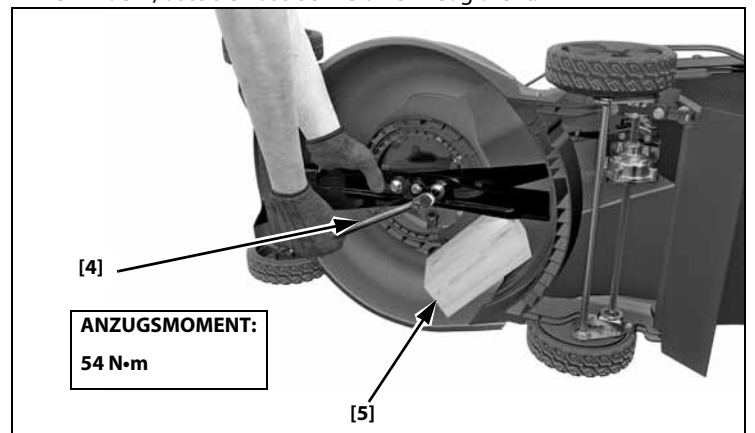
Aus dem Mäher herausgeschleuderte Schneidwerkzeuge können zu schweren Verletzungen oder zum Tod führen.

Sicherstellen, dass die Schneidwerkzeugschrauben mit dem korrekten Anzugsmoment angezogen sind.

Die Schneidwerkzeugschrauben und die Unterlegscheiben sind speziell für diese Anwendung ausgelegt. Beim Auswechseln der Schrauben und Unterlegscheiben nur Honda-Originalersatzteile verwenden.



3. Die Schrauben des Schneidwerkzeugs mit einem Drehmomentschlüssel anziehen [4]. Dabei mit einem Holzklötz [5] verhindern, dass sich das Schneidwerkzeug dreht.



Anzugsmoment für Schraube des Schneidwerkzeugs: 54 N·m

Wenn Sie selbst keinen Drehmomentschlüssel besitzen, wenden Sie sich an Ihren Honda-Vertragshändler, damit dieser die Schrauben des Schneidwerkzeugs vor der Benutzung des Rasenmähers anzieht. Wenn die Schrauben des Schneidwerkzeugs zu stark angezogen werden, können diese brechen. Wenn die Schrauben zu locker sitzen, können sie sich im Betrieb von selbst lösen. In beiden Fällen ist es möglich, dass sich das Schneidwerkzeug während des Betriebs des Mähers löst.

Überprüfen der Schneidwerkzeugschrauben

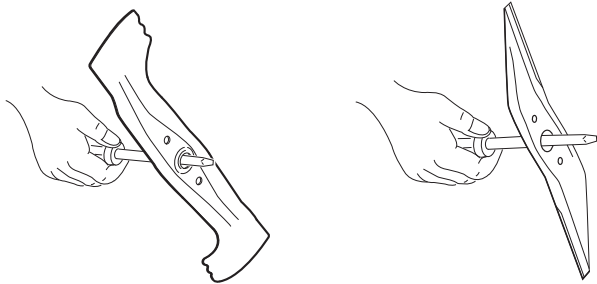
Die Schneidwerkzeugschrauben auf Anzeichen von Beschädigung und auf festen Sitz überprüfen. Falls diese beschädigt sind, müssen sie ersetzt werden.

Falls diese locker zu sein scheinen, müssen die Schneidwerkzeugschrauben mit einem Drehmomentschlüssel auf das erforderliche Anzugsmoment angezogen werden. Wenn Sie keinen Drehmomentschlüssel besitzen, wenden Sie sich an Ihren-Vertragshändler, damit dieser die Schrauben ersetzt oder anzieht. Nur Original-Honda-Schrauben und -Spezialunterlegscheiben für das Schneidwerkzeug verwenden, da diese speziell für diesen Zweck ausgelegt sind. Die Ersatzteilnummern finden Sie auf page 17.

Die Unterlegscheiben und Schraubenköpfe auf festen Sitz und auf Beschädigung überprüfen.



Austausch des Schneidwerkzeugs



VORSICHT:

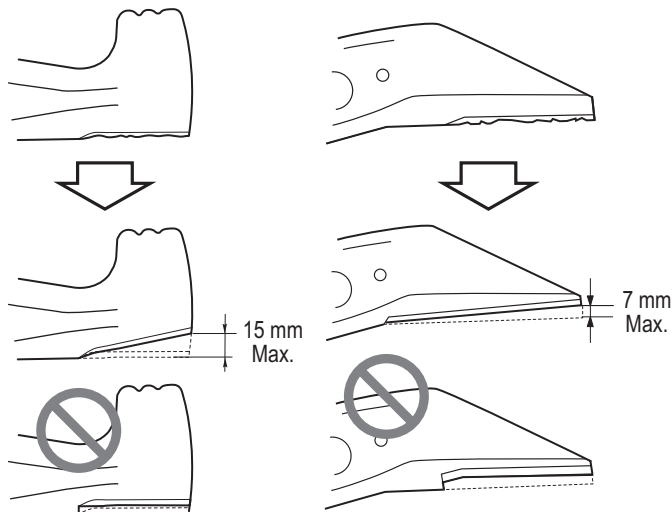
- Die Auswuchtung des Schneidwerkzeugs ist entscheidend für eine gute Leistung des Rasenmähers. Schneidwerkzeuge mit Beschädigungen oder Unwucht sind auszuwechseln.
- Nur originale Honda-Ersatzschneidwerkzeuge verwenden.

Schleifen des Schneidwerkzeugs

VORSICHT:

- Um eine Zustandsverschlechterung des Schneidwerkzeugs und damit Unwucht oder eine schlechte Schnittqualität zu verhindern, sollten Sie das Messer bei einem Fachhändler schärfen lassen.

- Die Schnittkanten des Schneidwerkzeugs mit einer Feile schleifen. Nur die Oberseite bearbeiten. Den ursprünglichen Schleifwinkel beibehalten, um eine scharfe Schnittkante zu erhalten. Beide Enden gleichmäßig schleifen, damit das Schneidwerkzeug ausgewuchtet bleibt.
- Nach dem Schleifen die Auswuchtung des Schneidwerkzeugs wie oben dargestellt mit einem Schraubendreher prüfen. Wenn eine Seite leicht unter die Horizontale sinkt, muss diese Seite nachgeschliffen werden. Das Schneidwerkzeug ist auszuwechseln, wenn die Unwucht zu groß ist.



AUSTAUSCH UND REINIGUNG DES SCHNITTGUTSAMMLERS

Reinigen

Den Schnittgutsammler mit einem Gartenschlauch reinigen und vor der Verwendung vollständig trocknen lassen. Ein nasser Schnittgutsammler verstopft schnell.

Austauschen

Einen verschlissenen oder beschädigten Schnittgutsammler durch einen Honda-Schnittgutsammler oder ein gleichwertiges Teil ersetzen.



FUNKTIONSPRÜFUNG DER SCHNEIDWERKZEUG- STEUERUNG

Nur Typ VKEA:

Den Motor im Freien starten. Das Stellteil für das Schneidwerkzeug loslassen. Der Motor muss schnell stoppen. Wenn der Motor nicht schnell stoppt, bringen Sie den Mäher zu einem Honda-Vertragshändler zur Reparatur.

WARTUNGSPLAN

Die Wartung in den angegebenen Intervallen oder nach den angegebenen Betriebsstunden durchführen, je nachdem, was zuerst eintritt.

Bauteil	Maßnahme	Häufigkeit					
		Vor jeder Verwendung	Nach einem Monat oder 5 Stunden	Erste 25 Stunden	Alle 6 Monate oder 50 Stunden	Jedes Jahr oder alle 100 Stunden	Alle 2 Jahre oder alle 150 Betriebsstunden
Motoröl	Prüfen	o					
	Wechseln		o		o ¹	o ¹	o ¹
Luftfilter	Prüfen	o					
	Reinigen			o ¹	o ¹	o ¹	
	Austauschen						o
Zündkerze	Prüfen/einstellen					o	
	Austauschen						o
Funkenschutz ³ (falls vorhanden)	Reinigen					o	o
Kraftstofftank ²	Reinigen					o	o
Ventilspiel ²	Einstellen					o	o
Kraftstoffleitungen ²	Prüfen (ggf. austauschen)	Alle 2 Jahre					
Schnittgutsammler	Prüfen	o					
Schneidwerkzeug	Prüfen	o					
Betrieb des Schneidwerkzeugs	Prüfen	o				o	o
Hinteres Schutzschild	Prüfen	o					
Schrauben für Schneidwerkzeug	Prüfen	o					
Smart Drive-Seilzug ²	Einstellen			o	o	o	o
Roto-Stop-Seilzug (VYEA) ²	Einstellen			o		o	o
Gaszug (VYEA) ²	Einstellen			o		o	o
Zahnräder ²	Schmieren					o	o
Lager der Antriebsachse ²	Prüfen						o

- Bei Betrieb in staubiger Umgebung häufiger warten.
- Diese Teile müssen von einem Honda-Vertragshändler gewartet werden, es sei denn, Sie verfügen über die entsprechenden Werkzeuge und sind mechanisch versiert. Informationen zu Wartungsarbeiten finden Sie im Honda-Werkstatthandbuch.
- In Europa und anderen Ländern, in denen die Maschinenrichtlinie 2006/42/EG gilt, sollte diese Reinigung von Ihrem Vertragshändler durchgeführt werden.

Die Nichteinhaltung dieses Wartungsplans kann zu nicht gewährleisteten Ausfällen oder zu Leistungsminderung sowie zur Nichteinhaltung der Emissionsvorschriften führen.

FEHLERSUCHE

MOTOR SPRINGT NICHT AN

Mögliche Ursache	Korrektur
Kraftstoffhahn AUS	Kraftstoffhahn auf EIN stellen (page 9).
Kein Kraftstoff mehr	Nachtanken (page 7).
Gashebel in der falschen Stellung (nur VYEA)	Den Gashebel in die Stellung SCHNELL bringen (page 10).
Schlechte Kraftstoffqualität, Rasenmäher wurde ohne Behandeln des Benzins gelagert oder es wurde schlechtes Benzin getankt	Mit frischem Benzin auftanken (page 5).
Zündkerze defekt oder verschmutzt oder falscher Elektrodenabstand	Elektrodenabstand einstellen oder die Zündkerze austauschen (page 12).
Feuchte, mit Kraftstoff verschmutzte Zündkerze („abgesoffener“ Motor)	Zündkerze trocknen und wieder einsetzen.
Kraftstofffilter verstopft, Vergaser defekt, Zündung defekt, Ventile verklemmt, usw.	Den Mäher zu einem Honda-Vertragshändler bringen oder im Werkstatthandbuch nach Informationen zur Reparatur suchen.

LEISTUNGSVERLUST

Mögliche Ursache	Korrektur
Gras ist zu hoch zum Schneiden	Eine höhere Schnitthöhe einstellen (page 7), einen schmaleren Mähstreifen wählen, die Arbeitsgeschwindigkeit reduzieren oder häufiger mähen.
Gashebel nicht auf SCHNELL eingestellt (nur VYEA)	Den Gashebel in die Stellung SCHNELL bringen (page 10).
Schneidwerkzeugabdeckung ist blockiert	Schneidwerkzeugabdeckung reinigen (page 10).
Luftfilter ist verstopft	Luftfilter reinigen oder austauschen
Schlechte Kraftstoffqualität, Rasenmäher wurde ohne Behandeln des Benzins gelagert oder es wurde schlechtes Benzin getankt	Mit frischem Benzin auftanken (page 12).
Kraftstofffilter verstopft, Vergaser defekt, Zündung defekt, Ventile verklemmt, usw.	Den Mäher zu einem Honda-Vertragshändler bringen oder im Werkstatthandbuch nach Informationen zur Reparatur suchen.

VIBRATIONEN

Mögliche Ursache	Korrektur
Gras und Schmutz unter der Schneidwerkzeugabdeckung	Schneidwerkzeugabdeckung reinigen (page 10).
Schneidwerkzeug lose, verbogen, beschädigt oder hat eine Unwucht durch unsachgemäßes Schleifen	Lockere Schneidwerkschrauben anziehen (page 13). Ist das Schneidwerkzeug verbogen oder beschädigt, den Rasenmäher zur Inspektion in eine Honda-Vertragswerkstatt bringen.
Mechanischer Defekt, z. B. eine verbogene Kurbelwelle	Den Mäher zu einem Honda-Vertragshändler bringen oder im Werkstatthandbuch nach Informationen zur Reparatur suchen.

PROBLEME BEIM MÄHEN UND MIT DEM SCHNITTGUTSAMMLER

Mögliche Ursache	Korrektur
Mähgeschwindigkeit zu hoch für Rasenbedingungen	Weniger Druck auf die Smart Drive-Steuerung oder langsamer schieben.
Schnitthöhen-Einstellhebel in unterschiedlichen Stellungen	Beide Hebel auf dieselbe Schnitthöhe einstellen (page 7).
Schnittgutsammler voll oder verstopft	Den Schnittgutsammler leeren. Den Schnittgutsammler waschen, falls er schmutzig ist (page 14).
Schneidwerkzeugabdeckung ist blockiert	Schneidwerkzeugabdeckung reinigen (page 10).
Schneidwerkzeug stumpf, abgenutzt oder beschädigt	Das Schneidwerkzeug nachschleifen oder ggf. auswechseln (page 13).

LAGERUNG

Eine ordnungsgemäße Lagerung ist wichtig, damit Ihr Rasenmäher stets störungsfrei arbeitet und bestens aussieht. Die folgenden Schritte schützen den Rasenmäher vor Rost und Korrosion und erleichtern das Starten des Motors, wenn Sie den Rasenmäher das nächste Mal benutzen.



REINIGEN

Motor

Den Motor von Hand mit einem Lappen und einer Bürste reinigen.

ZUR BEACHTUNG

Bei Verwendung eines Gartenschlauchs oder eines Hochdruckreinigers kann Wasser in den Luftfilter gelangen. Wasser im Luftfilter durchnässt den Papierfilter und kann in den Vergaser oder den Zylinder eindringen und zu Schäden führen. Wasser, das mit einem heißen Motor in Berührung kommt, kann zu Schäden führen. Wenn der Motor gelaufen ist, lassen Sie ihn vor der Reinigung mindestens eine halbe Stunde abkühlen.

Schneidwerkzeugabdeckung

Die lange Lebensdauer und gute Leistungsfähigkeit Ihres Rasenmähers werden dadurch sichergestellt, dass Sie die Unterseite des Rasenmähers sauber und grasfrei halten. Entfernen Sie den Grasschnitt mit Hilfe von Drahtbürste und Schaber. Nach Gebrauch muss der Rasenmäher gründlich gereinigt werden, bevor er verstaubt wird.

Den Motor vor Reinigung der Unterseite der Schneidwerkzeugabdeckung abkühlen lassen und sicherstellen, dass der Kraftstoffhahn in der AUS-Stellung ist. Den Zündkerzenstecker abziehen. Den Mäher auf die rechte Seite kippen, sodass der Tankdeckel oben ist. So wird verhindert, dass Kraftstoff ausläuft und der Rasenmäher aufgrund eines überfluteten Vergasers schwer startet. Feste Handschuhe tragen, um Ihre Hände vor den Schneidwerkzeugen zu schützen.

Schnittgutsammler

Den Schnittgutsammler vom Mäher abnehmen und mit einem Gartenschlauch oder einem Hochdruckreiniger waschen. Den Schnittgutsammler vor der Lagerung vollständig trocknen lassen.

Wenn der Rasenmäher sauber und trocken ist, bessern Sie beschädigte Lackstellen aus und tragen Sie einen leichten Ölfilm auf Bereiche auf, die rosten können.

KRAFTSTOFF

ZUR BEACHTUNG

Abhängig von der Region, in der Sie Ihr Gerät betreiben, kann Kraftstoff unter Umständen schnell verderben und oxidieren. Verschlechterung und Oxidation von Kraftstoff können bereits nach 30 Tagen auftreten und zu Schäden am Vergaser und/oder am Kraftstoffsystem führen. Bitte erkundigen Sie sich bei Ihrem Vertragshändler nach den örtlichen Empfehlungen zur Lagerung.

Benzin kann bei längerer Lagerung oxidieren und an Qualität verlieren. Altes Benzin verursacht Startprobleme und führt zu gummiartigen Ablagerungen, die Kanäle und Durchgänge des Kraftstoffsystems verstopfen können. Sollte sich das Benzin in Ihrem Mäher bei längerer Lagerung verschlechtern, müssen Sie unter Umständen den Vergaser und andere Komponenten des Kraftstoffsystems warten oder auswechseln lassen.

Wie lange Benzin im Kraftstofftank und im Vergaser verbleiben kann, ohne Funktionsprobleme zu verursachen, hängt von Faktoren wie der Zusammensetzung und den Lagertemperaturen ab, sowie davon, ob der Kraftstofftank teilweise oder vollständig gefüllt ist. Die Luft in einem teilweise gefüllten Kraftstofftank fördert den Verfall des Kraftstoffs. Sehr warme Lagertemperaturen beschleunigen den Verfall des Kraftstoffs. Probleme mit der Verschlechterung von Kraftstoff können innerhalb weniger Monate auftreten, oder sogar noch früher, wenn das Benzin bei Befüllen des Tanks nicht frisch war.

Wenn Sie einen Benzinkanister zum Nachtanken aufbewahren, achten Sie darauf, dass dieser nur frisches Benzin enthält.

Wenn der Kraftstoff länger als 3 Monate in dem Behälter aufbewahrt wird, empfehlen wir, einen Kraftstoffstabilisator hinzuzufügen.

Kurzfristige Lagerung (30–90 Tage)

Wenn der Mäher 30 bis 90 Tage lang nicht benutzt wird, empfehlen wir folgende Maßnahmen, um kraftstoffbedingte Probleme zu vermeiden:

1. Kraftstoffstabilisator gemäß den Anweisungen des Herstellers einfüllen.

Wenn Sie Kraftstoffstabilisator hinzufügen, den Kraftstofftank mit frischem Benzin füllen. Wenn der Tank nur teilweise gefüllt ist, fördert die Luft im Tank den Verfall des Kraftstoffs während der Lagerung.

Hinweis:

- Alle Stabilisatoren haben eine Haltbarkeitsdauer und ihre Leistung lässt mit der Zeit nach.
- Kraftstoffstabilisatoren können abgestandenen Kraftstoff nicht wiederherstellen.

2. Nachdem Sie den Kraftstoffstabilisator hinzugefügt haben, den Motor 10 Minuten im Freien laufen lassen, um sicherzustellen, dass das behandelte Benzin das unbehandelte Benzin im Vergaser ersetzt hat.
3. Den Motor abstellen und den Kraftstoffhahn in die Stellung AUS drehen.
4. Den Motor starten und so lange laufen lassen, bis er aufgrund von Kraftstoffmangel im Vergaser abstirbt. Das sollte weniger als 3 Minuten dauern.

Langfristige oder saisonale Lagerung (länger als 90 Tage)

Den Motor starten und lange genug laufen lassen, um das gesamte Benzin aus dem gesamten Kraftstoffsystem (einschließlich des Kraftstofftanks) aufzubauchen. Benzin nicht länger als 90 Tage in dem Motor lassen.

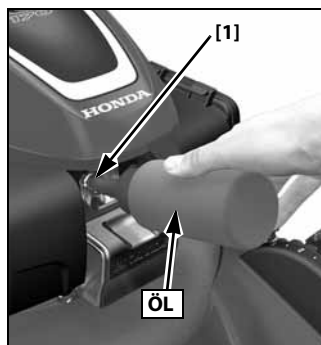
Die **GEWÄHRLEISTUNG** deckt keine Schäden am Kraftstoffsystem oder Leistungsprobleme des Motors ab, die auf eine vernachlässigte Vorbereitung der Lagerung zurückzuführen sind.

MOTORÖL

Das Motoröl wechseln (page 12).

MOTORZYLINDER

Wenn der Mäher länger als 3 Monate gelagert werden soll, die Zündkerze entfernen (page 12). 5 – 10 ml sauberes Motoröl in den Zylinder [1] einfüllen. Den Seilzugstarter mehrmals ziehen, um das Öl im Zylinder zu verteilen. Die Zündkerze wieder einschrauben.



Den Starter langsam ziehen, bis Widerstand spürbar ist, dann den Startergriff langsam zurückführen. Dadurch werden die Ventile geschlossen, sodass keine Feuchtigkeit in den Zylinder gelangen kann.

EINLAGERN

Da Ihr Mäher mit Benzin im Kraftstofftank und im Vergaser gelagert wird, ist es wichtig, die Gefahr der Entzündung von Benzindämpfen zu verringern. Einen gut belüfteten Lagerbereich wählen, der nicht in der Nähe von Geräten liegt, die mit einer Flamme betrieben werden, z. B. Öfen, Warmwasserbereiter oder Wäschetrockner. Außerdem Bereiche vermeiden, in denen ein funkenzeugender Elektromotor oder Elektrowerkzeuge betrieben werden.

Nach Möglichkeit Lagerbereiche mit hoher Luftfeuchtigkeit vermeiden, da dies Rost und Korrosion fördert.

Den Mäher mit den Rädern auf eine ebene Fläche stellen. Ein Kippen kann zum Auslaufen von Kraftstoff oder Öl führen. Der Lenker kann für eine kompakte Aufbewahrung eingeklappt werden, siehe unten.

Den Mäher abdecken, wenn der Motor und die Auspuffanlage abgekühlt sind, um ihn vor Staub zu schützen. Ein heißer Motor und eine heiße Auspuffanlage können bestimmte Materialien entzünden oder schmelzen. Keine Plastikfolie als Staubschutz verwenden. Eine nicht poröse Abdeckung schließt Feuchtigkeit um den Mäher herum ein und fördert Rost und Korrosion.

HERAUSNEHMEN AUS DER LAGERUNG

Den Mäher wie unter **VORBEREITUNG UND KONTROLLEN VOR INBETRIEBNAHME** (page 4) beschrieben überprüfen.

Wenn der Zylinder bei der Vorbereitung zur Lagerung mit Öl behandelt wurde, raucht der Motor beim Starten kurz. Dies ist normal.

TRANSPORT

VOR DEM VERLADEN



Wenn der Motor gelaufen ist, lassen Sie ihn mindestens 15 Minuten abkühlen, bevor Sie den Mäher auf das Transportfahrzeug laden. Ein heißer Motor und eine heiße Auspuffanlage können Verbrennungen verursachen und bestimmte Materialien entzünden.

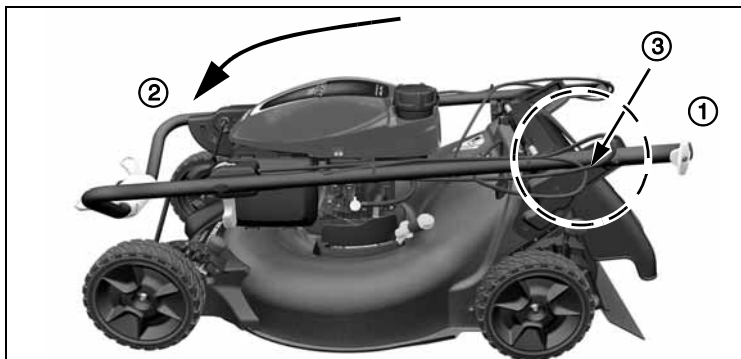
Den Kraftstoffhahn in die Stellung AUS bringen (page 9). Dadurch wird ein Überfluten des Vergasers verhindert und die Möglichkeit eines Kraftstoffaustritts verringert.

LENKER UMKLAPPEN

1. Den Schnittgutsammler abnehmen. Sie können ihn mit der Öffnung nach vorne oben auf dem Motor ablegen.
2. Den Lenker abstützen und festhalten.
3. Die Lenkereinstellknöpfe ① entriegeln und den Lenker nach vorne ② in die Aufbewahrungsposition klappen.

ZUR BEACHTUNG

Darauf achten, dass die Seilzüge ③ nicht eingeklemmt, gequetscht oder geknickt werden, wenn Sie den Lenker in die Aufbewahrungsposition herunterklappen. Die Seilzüge oder das Motorsteuersystem könnten beschädigt werden, sodass der Rasenmäher nicht mehr ordnungsgemäß funktioniert.



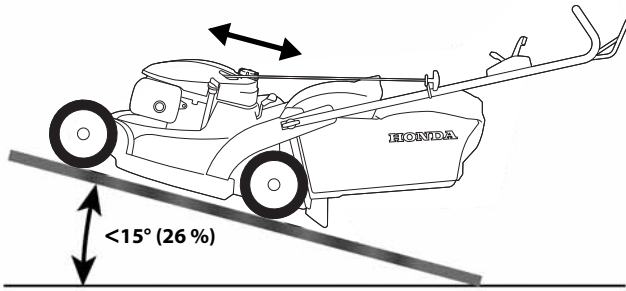
BE- UND ENTLADEN

Den Mäher so platzieren, dass alle vier Räder auf der Ladefläche des Transportfahrzeugs stehen. Den Mäher mit Seilen oder Gurten fixieren und die Räder blockieren. Das Befestigungsseil oder die Gurte von den Bedienelementen, Einstellhebeln, Seilzügen und dem Vergaser fernhalten.

ZUR BEACHTUNG

Um zu verhindern, dass Sie die Kontrolle über den Mäher verlieren oder diesen beschädigen, darf das Antriebssystem nicht verwendet werden, wenn Sie eine Laderampe hinauf- oder hinunterfahren.

1. Den Kraftstoffhahn in die Stellung AUS bringen.
2. Eine geeignete Laderampe verwenden. Neigung der Laderampe darf nicht größer als 15° (26 %) sein. Wenn keine Laderampe zur Verfügung steht, sollten zwei Personen den Mäher auf das Transportfahrzeug heben und entladen, wobei der Mäher waagrecht gehalten werden muss.



PRAKTISCHE HINWEISE

VERTRAGSHÄNDLER IN IHRER NÄHE

Bitte sehen Sie dazu page 19.

STANDARDTEILE, SONDERAUSSTATTUNG UND VERBRAUCHSZUBEHÖR

Wenden Sie sich an einen Honda-Vertragshändler, um eines der Originalteile der nachstehenden Liste oder andere Teile zu erwerben.

Bauteil	Teilenummer	Hinweise
Luftfilter	17211-Z8B-901	Papier
Zündkerze	98079-55846	NGK BPR5ES
Schneidwerkzeug:		Das obere und untere Schneidwerkzeug stets als Satz zusammen verwenden.
Unten	72511-VR8-M00	
Oben	72531-VR8-M00	
Schraube für Schneidwerkzeug (2)	90105-960-710	2 erforderlich, 10 × 20 mm
Unterlegscheibe für Schraube (2)	90502-VG3-000	2 erforderlich
Rad/Reifen	44710-VR8-N00	Vorne
	42710-VR8-N00	Hinten

⚠️ WARNUNG

Zu Ihrer Sicherheit ist es strengstens untersagt, andere als die oben aufgeführten Teile zu verwenden. Diese wurden speziell für das Modell und den Typ Ihres Rasenmähers entwickelt.



TECHNISCHE DATEN

MODELL	HRN536C1	
TYPE	VKEA	VYEA
CODEBEZEICHNUNG	MCHF	
FUNKTION	Gras schneiden	

ALLGEMEINE DATEN

Abmessungen L × B × H	1.550 × 575 × 1.035 mm	
Trockengewicht	36 kg	40 kg
Schnittbreite	530 mm	
Schnitt Höheneinstellungen	27 mm, 39 mm, 51 mm, 64 mm, 76 mm, 88 mm, 100 mm	
Fassungsvermögen Schnittgutsammler	70 l	
Schalldruckpegel am Ohr des Bedieners (gemäß EN ISO 5395-2:2013 + A1:2016 + A2:2017)	84,8 dB(A)	85,4 dB(A)
Unsicherheit	1 dB(A)	
Gemessener Schallleistungspegel (gemäß den Richtlinien 2000/14/EG, 2005/88/EG)	96,68 dB(A)	96,33 dB(A)
Unsicherheit	0,78 dB(A)	0,64 dB(A)
Garantierter Schallleistungspegel (gemäß den Richtlinien 2000/14/EG, 2005/88/EG)	98 dB(A)	
Schwingungsprüfung (gemäß EN ISO 5395-2:2013 + A1:2016 + A2:2017)*	3,87 m/s ²	5,39 m/s ²
Unsicherheit (EN12096)	0,45 m/s ²	0,63 m/s ²

MOTOR

Modell	GCV170A
Typ	4-Takt, Einzylinder, vertikale Welle
Hubraum	166 cm ³
Bohrung und Hub	60 × 59 mm
Kühlung	Gebälsekühlung
Schmierung	Spritz- und Sprühschmierung
Verdichtungsverhältnis	8,0:1
Maximale Betriebsdrehzahl des Motors	2.950 ⁺⁰ ₋₁₀₀ min ⁻¹
Nettoleistung **	3,6 kW
Nennleistung	3,2 kW
Zündsystem	Transistor-Spulenzündung
Zündkerze	NGK: BPR5ES
Elektrodenabstand	0,7–0,8 mm
Luftfilter	Trockenfilter
Empfohlener Kraftstoff	Bleifreies Benzin E10
Fassungsvermögen des Kraftstofftanks	0,9 l
Empfohlenes Öl	SAE 5W-30, 10W-30, API SJ oder höher
Motorölkapazität	0,40 l *** Nachfüllmenge: 0,35–0,40 l
Kohlendioxid-Emissionen (CO ₂)****	Bitte beachten Sie die CO ₂ -Werte des Honda-Motors unter www.honda-engines-eu.com/co2

DRIVE

Typ	Variable Smart Drive-Geschwindigkeitsregelung
Motor zu Getriebe	Keilriemen
Hauptkupplung	Bandschlupftyp
Mähgeschwindigkeit	0 – 1,7 m/s
Empfohlenes Öl	SAE 10W-30, API SN oder höher

* Werte für ein Gerät mit Schnittrutsammler in der Stellung zum Auffangen von Schnittgut.

** Bei der in diesem Dokument angegebenen Nennleistung des Motors handelt es sich um die an einem Serienmotor des Motormodells GCV170A gemäß SAE J1349 auf dem Prüfstand ermittelte Leistungsabgabe bei 3.600 min^{-1} (Nettoleistung). Die Werte anderer Motoren aus der Serienproduktion können hiervon abweichen. Die tatsächliche Leistungsabgabe des im Endprodukt verbauten Motors ist von zahlreichen Faktoren wie Betriebsdrehzahl des Motors in der Anwendung, Umweltbedingungen, Wartung und anderen Variablen abhängig.

*** Die tatsächliche Menge kann aufgrund von Restöl im Motor variieren. Stets den Messstab verwenden, um den tatsächlichen Füllstand zu überprüfen (siehe page 7).

**** Die CO₂-Messung ist das Ergebnis der Erprobung eines für den Motortyp bzw. die Motorenfamilie repräsentativen (Stamm-)Motors in einem festen Prüfzyklus unter Laborbedingungen und stellt keine ausdrückliche oder implizite Garantie der Leistung eines bestimmten Motors dar.

VOORWOORD

Bedankt voor de aanschaf van deze door bestuurder te voet bediende Honda-grasmaaier en voor het vertrouwen dat u in Honda stelt.

Deze handleiding beschrijft het gebruik en het onderhoud van uw nieuwe maaier, zodat u deze optimaal kunt gebruiken en onderhouden.

Wij streven ernaar u zoveel mogelijk te laten profiteren van technologische innovatie, van nieuwe functies en materialen en van onze ervaring. Daarom brengen wij voortdurend verbeteringen aan onze modellen aan. Om die reden behouden wij ons het recht voor om zonder voorafgaande kennisgeving aanpassingen aan de specificaties en informatie in deze handleiding aan te brengen zonder enige verplichting tot actualisering van deze handleiding.

In het geval van problemen met of vragen over uw grasmaaier, kunt u contact opnemen met uw leverancier of een erkende Honda-dealer.

Bewaar deze handleiding op een plaats waar u deze gemakkelijk terug kunt vinden om hem te raadplegen. Wanneer u de grasmaaier verkoopt, overhandig deze handleiding dan samen met de machine aan de nieuwe eigenaar.

Wij adviseren u de garantiebepalingen goed door te lezen, zodat u weet wat uw rechten en eigen verantwoordelijkheden zijn.

De garantiebepalingen worden als apart document door uw leverancier bij de machine meegeleverd.

Niets uit deze handleiding mag zonder voorafgaande schriftelijke toestemming worden verveelvoudigd.

VEILIGHEIDSINSTRUCTIES

Voor uw eigen veiligheid en bedieningscomfort adviseren wij u deze handleiding volledig door te lezen.

Let daarbij op de volgende symbolen:

⚠ WAARSCHUWING

Waarschuwt voor een hoog risico op ernstig of dodelijk letsel indien de aanwijzingen niet worden opgevolgd.

VOORZICHTIG:

- *Waarschuwt voor het risico op lichamelijk letsel of schade aan de machine indien de aanwijzingen niet worden opgevolgd.*

NB: Aanvullende nuttige informatie.

OPMERKING

Uw grasmaaier, andere eigendommen of het milieu kunnen schade oplopen als u de instructies niet opvolgt.

Het doel van deze mededelingen is om schade aan uw grasmaaier, andere eigendommen of het milieu te helpen voorkomen.

OVERZICHT VAN DE MODELCODES IN DEZE HANDLEIDING

HRN536C	VKEA	VYEA
Zelfrijdend, met variabele snelheid.....	•	•
Maaimesrem	•	
Rotostop		•

FRAME- EN MOTORSERIENUMMER

Noteer de serienummers van het frame en de motor (page 3) in de ruimte hieronder. U hebt deze nummers nodig bij het bestellen van onderdelen en bij technische vragen of garantieverzoeken.

Serienummer van het frame: _____

Serienummer van de motor: _____

Aankoopdatum: ____/____/____

Honda France Manufacturing S.A.S. - Pôle 45 - Rue des Châtaigniers
45140 ORMES - FRANKRIJK - Alle rechten voorbehouden

HONDA

GEBRUIKERSHANDBOEK

(Originele instructies)

HRN536C

Door bestuurder te voet bediende grasmaaier



Onderhoud en ondersteuning



<https://www.hondapps.com/HME/>

NEDERLANDS

INHOUD

VOORWOORD	1	ONDERHOUD	11
VEILIGHEIDSINSTRUCTIES	1	HET BELANG VAN ONDERHOUD	11
OVERZICHT VAN DE MODELCODES		VEILIG ONDERHOUD	11
IN DEZE HANDLEIDING	1	ONDERHOUD VAN HET	
FRAME- EN MOTORSERIENUMMER ...	1	LUCHTFILTER	11
VEILIGHEIDSINSTRUCTIES	2	MOTOROLIE VERVERSEN	12
WAARSCHUWINGSSTIKERS	3	CONTROLLEREN VAN DE BOUGIE	12
IDENTIFICATIE VAN DE MACHINE ...	3	ONDERHOUD VAN DE FONKENVANGER	
ALGEMENE BESCHRIJVING	4	(OPTIONELE UITRUSTING)	12
VOORBEREIDINGEN EN CONTROLES		DEMONTAGE EN MONTAGE VAN DE	
VOOR GEBRUIK	4	MAAIMESSEN	13
UITPAKKEN	4	REINIGEN EN VERVANGEN VAN DE	
VERSTELLEN VAN DE DUWBEUGEL ...	4	GRASVANGER	14
CONTROLLEREN VAN HET		CONTROLE VAN DE WERKING VAN DE	
ACHTERSCHERM	4	BEDIENING VAN DE MAAIMESSEN ...	14
CONTROLLEREN VAN DE GRASVANGER ...	5	ONDERHOUDSSCHEMA	14
CONTROLLEREN VAN HET		PROBLEEM OPLOSSEN	15
BRANDSTOFPEIL	5	MOTOR START NIET	15
CONTROLLEREN VAN HET LUCHTFILTER ...	6	ONVOLDOENDE	
CONTROLLEREN VAN DE TOESTAND VAN		MOTORVERMOGEN	15
DE MAAIMESSEN	6	TRILLINGEN	15
INSTELLEN VAN DE MAAIHOOGTE ...	6	PROBLEEM MET MAAIEN EN	
CONTROLLEREN VAN HET OLIEPEIL ...	7	OPVANGEN	15
SELECTEREN VAN DE SNIJMODUS	7	OPSLAG	15
STARTEN EN AFZETTEN VAN DE		REINIGING	15
MOTOR	8	BRANDSTOF	16
VOORZORGSMAATREGELEN BIJ HET		MOTOROLIE	16
MAAIEN	8	MOTORCILINDER	16
FREQUENTIE VAN GEBRUIK	8	IN OPSLAG PLAATSEN	16
STARTEN VAN DE MOTOR	8	UIT DE OPSLAG HALEN	16
AFZETTEN VAN DE MOTOR	8	TRANSPORT	16
PRAKTISCHE INFORMATIE EN TIPS		VOOR HET LADEN	16
VOOR GEBRUIK	8	INVOUWEN VAN DUWBOOM	16
GEBRUIK VAN DE GRASMAAIER OP		LADEN EN LOSSEN	17
GROTE HOOGTEN	8	NUTTIGE INFORMATIE	17
VEILIGE MAAIPRAKTIJEN	9	DEALER ZOEKEN	17
DE BEDIENINGSELEMENTEN GEBRUIKEN		GANGBARE ONDERDELEN,	
OM TE MAAIEN	9	OPTIONELE TOEBEHOREN EN	
MAAITIPS	10	VERBRUIKSPRODUCTEN	17
		TECHNISCHE GEGEVENS	17

VEILIGHEIDSIINSTRUCTIES

Voor uw eigen veiligheid en bedieningscomfort adviseren wij u deze handleiding volledig door te lezen.

Let daarbij op de volgende symbolen:

WAARSCHUWING

Waarschuwt voor een hoog risico op ernstig of dodelijk letsel indien de aanwijzingen niet worden opgevolgd.

VOORZICHTIG:

- *Waarschuwt voor het risico op lichamelijk letsel of schade aan de machine indien de aanwijzingen niet worden opgevolgd.*

NB: Aanvullende nuttige informatie.



Dit symbool maant tot voorzichtigheid bij sommige handelingen. Raadpleeg de veiligheidsvoorschriften op deze en de volgende bladzijden, en in het bijzonder de punt(en) die in het vakje vermeld staan.

TRAINING

- A1. Lees deze instructies zorgvuldig. Zorg ervoor dat u weet hoe u de verschillende bedieningselementen moet gebruiken voordat u de machine in gebruik neemt. Zorg dat u weet hoe u de motor snel kunt afzetten.
- A2. Gebruik de grasmaaier alleen voor het doel waarvoor hij is bedoeld: het maaien en opvangen van gras. Elk ander gebruik kan gevaarlijk zijn of schade aan de machine veroorzaken.
- A3. Laat de grasmaaier nooit gebruiken door kinderen of mensen die niet bekend zijn met deze instructies voor gebruik. Volgens de plaatselijke wetgeving kan voor de gebruiker een minimumleeftijd gelden.
- A4. Maai nooit wanneer er andere mensen, vooral kinderen, of huisdieren in de nabijheid zijn.
Gebruik de machine nooit wanneer u vermoeid of ziek bent of na het gebruik van medicijnen, verdovende middelen, alcohol of andere stoffen die de concentratie en reactiesnelheid kunnen beïnvloeden.
Gebruik de machine nooit bij dreigend slecht weer, zoals onweer of storm. Stop in dat geval met maaien.
- A5. Wees u ervan bewust dat u als eigenaar verantwoordelijk bent voor ongevallen of gevaren voor andere mensen of hun eigendommen.
- A6. Probeer nooit wijzigingen aan de maaier aan te brengen. Dit kan een ongeval of schade aan de machine tot gevolg hebben. Aanpassingen aan de motor maken de EU-typegoedkeuring voor de motor ongeldig.
 - Sluit geen verlengstuk op de uitlaat aan.
 - Breng geen aanpassingen aan het inlaatsysteem aan.
 - Breng geen wijzigingen in de afstelling van de toerentalregelaar aan.
- A7. De machine heeft veiligheidsvoorzieningen die niet mogen worden gewijzigd of verwijderd. Als u dit toch doet, wordt de garantie mogelijk ongeldig en vervalt elke aansprakelijkheid van de fabrikant. Controleer altijd of de veiligheidsvoorzieningen werken alvorens de machine te gebruiken.

VOORBEREIDING

- B1. Draag tijdens het maaien stevige veiligheidsschoenen met antislipzool en een lange broek. Maai nooit blootsvoets en draag geen open schoeisel tijdens het maaien.
Vermijd het dragen van kettingen en armbanden en van wijdvallende kleding met losse delen, veters, sjaals of stropdassen. Lang haar moet worden samengebonden. Draag altijd gehoorbescherming.
- B2. Controleer het te maaien gazon zorgvuldig vooraf en verwijder alle voorwerpen (stenen, takken, draden, botten enz.) die door de machine kunnen worden weggeslingerd.
- B3. **WAARSCHUWING** - Benzine is uiterst brandbaar!
 - Bewaar benzine alleen in daarvoor bedoelde opslagtanks.
 - Vul benzine alleen in de buitenlucht bij en doe dit nooit met draaiende motor. Rook niet tijdens het bijvullen of het omgaan met benzine.
 - Draai nooit de tankdop van de tank met draaiende motor of zolang de motor nog heet is.
 - Probeer niet de motor te starten nadat u benzine hebt gemorst. Verplaats de machine eerst van de plek waar is gemorst. Voorkom vuur en vonkvorming tot alle benzinedampen zijn verdwenen.
 - Draai altijd een dop op de brandstoftank en de opslagtank en draai deze goed vast.
 - Leeg de brandstoftank voor u de maaier kantelt voor onderhoud aan de maaimessen of het aftappen van olie.
- B4. Vervang de uitlaatdemper wanneer deze defect is.
- B5. Controleer voor gebruik altijd visueel of de maaimessen, de mesbevestigingsbouten en het maaidek onbeschadigd en niet overmatig gesleten zijn.
Vervang versleten of beschadigde maaimessen en mesbevestigingsbouten altijd als set om een juiste balancering te waarborgen.

GEBRUIK

- C1. Laat de motor niet draaien in een gesloten ruimte waar het levensgevaarlijke koolmonoxide zich kan ophopen.
- C2. Maai alleen bij daglicht of goed kunstlicht. Houd u aan de wettelijke voorschriften, die per regio kunnen verschillen.
- C3. Stop met maaien als er slecht weer dreigt, zoals onweer of storm.
- C4. Vermijd indien mogelijk het maaien van nat gras.
- C5. Blijf tijdens het maaien op veilige afstand van het maaimes, dat wil zeggen achter de duwbeugel.
- C6. Ga niet rennen met de machine. Laat uzelf niet door de maaier meedrukken.
- C7. Zoek op hellingen altijd voldoende steun voor uw voeten. Maai altijd dwars op een helling, nooit van boven naar beneden of omgekeerd.
- C8. Wees u ervan bewust dat u als gebruiker verantwoordelijk bent voor ongevallen of onvoorziene gebeurtenissen die andere mensen of hun eigendommen kunnen overkomen. De gebruiker is verantwoordelijk voor het controleren van het te maaien gazon op eventuele risico's van anderen te waarborgen, in het bijzonder op hellingen, op ruw, glad of onstabiel terrein, of in de nabijheid van kuilen, sloten, greppels of oevers.
- C9. Maai niet op hellingen steiler dan 20° (36%).
- C10. Wees bijzonder voorzichtig wanneer u de maaier naar u toe trekt.
- C11. Zet het mes stil wanneer u de maaier moet kantelen of op moet tillen voor transport, wanneer u ermee over een andere ondergrond dan gras rijdt en wanneer u de maaier van of naar het te maaien terrein vervoert.
- C12. Gebruik de maaier nooit wanneer het maaidek of de afschermplaten beschadigd zijn of wanneer veiligheidsvoorzieningen zoals de grasvanger of het uitwerpscherm niet zijn aangebracht.
- C13. Breng geen wijzigingen in de afstelling van de toerentalregelaar aan en zorg dat de motor niet met een te hoog toerental draait.
- C14. Ontkoppel de maaimessen (modellen uitgevoerd met Rotostop) en de aandrijfkoppeling (zelfrijdende modellen) voordat u de motor start.
- C15. Start de motor zorgvuldig volgens de instructies en houd uw voeten uit de buurt van de maaimessen.
- C16. Kantel de maaier niet tijdens het starten van de motor.
Start de maaier op een vlakke ondergrond die vrij is van hoog gras of obstakels.
- C17. Houd uw handen en voeten uit de buurt van de roterende delen.
Start de motor niet terwijl u voor de uitwerpopening staat.
- C18. Til of draag de maaier nooit terwijl de motor draait.
- C19. Zet in de volgende gevallen de motor af en trek de bougiekop van de bougie:
 - Voordat u werkzaamheden verricht onder het maaidek of in het uitwerpkanaal.
 - Voordat u begint met controle-, schoonmaak- of onderhoudswerkzaamheden aan de maaier.
 - Nadat u met de maaier een vreemd voorwerp hebt geraakt. Controleer de maaier op schade en herstel deze voordat u de maaier herstart en weer gaat gebruiken.
 - Als de maaier abnormaal begint te trillen. Controleer onmiddellijk wat de oorzaak van deze trillingen is en neem deze weg door de noodzakelijke reparatie uit te laten voeren.
- C20. Zet de motor in de volgende gevallen altijd af:
 - Wanneer u de maaier onbeheerd achterlaat.
 - Voordat u de tank gaat bijvullen.
- C21. Stop in de volgende gevallen het mes (modellen uitgevoerd met Rotostop) of zet de motor af:
 - Bij het verwijderen of aanbrengen van de grasvanger.
 - Voordat u de maaierhoogte gaat afstellen.
- C22. Draai het gas terug wanneer u de motor afzet. Sluit de brandstofvoevoer af door het dichtdraaien van de benzinekraan.
- C23. Het gebruik van andere dan de in deze handleiding aanbevolen toebehoren kan leiden tot schade aan de grasmaaier die niet onder de garantie valt.
- C24. **VOORZICHTIG**
De niveaus voor geluid en trillingen die in deze handleiding staan vermeld, zijn de maximale waarden voor gebruik van de machine. Het gebruik van een niet-gebalanceerd mes, een te hoge loopsnelheid en gebrekkig onderhoud zijn van significante invloed op het geluid en de trillingen die de machine produceert. Het is daarom belangrijk voorzorgsmaatregelen te nemen om blootstelling aan te hoge geluids- of trillingsniveaus te voorkomen. Zorg dat de machine goed wordt onderhouden, draag gehoorbescherming en neem tijdig pauzes tijdens het werk.

ONDERHOUD EN OPSLAG

- D1. Houd alle moeren, bouten en schroeven stevig aangedraaid om een veilige werking van de machine te waarborgen. Regelmatig onderhoud is een belangrijke voorwaarde voor de veiligheid van de gebruiker en voor goede prestaties van de machine.
- D2. Bewaar de machine nooit met een gevulde brandstoftank in een ruimte waar benzinedampen in aanraking kunnen komen met een vonk, open vuur of een bron van hoge temperatuur.
- D3. Laat de motor altijd eerst afkoelen voordat u de machine opbergt in een gesloten ruimte.
- D4. Verklein het risico op brand en houd de maaier (met name de motor en uitlaat) en de plaats waar u de benzine bewaart vrij van gras, bladeren en overtollig vet. Plaats geen bakken met gemaaid gras (compostvaten) in of vlakbij een gebouw.
- D5. Wanneer u de benzinetank wilt legen, doe dit dan buiten terwijl de motor koud is.
- D6. Controleer de grasvanger regelmatig op slijtage of beschadiging.
- D7. Gebruik de maaier niet met versleten of beschadigde onderdelen. Versleten of beschadigde onderdelen moeten worden vervangen, niet gerepareerd. Gebruik hiervoor uitsluitend originele Honda-onderdelen. Maaimessen moeten zijn voorzien van een Honda-merk en een artikelnummer. Onderdelen van inferieure kwaliteit kunnen de machine beschadigen en een gevaar vormen voor uw veiligheid.
- D8. Draag stevige (werk)handschoenen bij het verwijderen of plaatsen van de maaimessen of bij het schoonmaken van het maaidek. Blokkeer de maaimessen bij het los- of vastdraaien van de mesbevestigingsbouten met een houten blok.
- D9. Controleer na het slijpen van een maaimes altijd of het nog in balans is.

WAARSCHUWINGSSTICKERS

Deze sticker waarschuwt u voor mogelijke gevaren die ernstig letsel kunnen veroorzaken. Lees aandachtig de betekenis. Als de sticker loslaat of moeilijk leesbaar wordt, neem dan contact op met uw onderhoudsdealer voor een vervanging.

Letter	Betekenis
A	<p>1. Waarschuwing: Lees het gebruikershandboek voordat u de maaier gaat gebruiken.</p> <p>2. Gevaar voor wegschietende voorwerpen: zorg dat andere personen uit de buurt blijven tijdens het gebruik van de maaier.</p> <p>3. Gevaar voor snijwonden. Sneldraaiend mes: Steek uw handen of voeten niet in het maaidek. Trek de bougie van de bougie voor u onderhoud of reparaties aan uw maaier uitvoert.</p> <p>4. Niet gebruiken zonder dat het uitwerkscherm of de grasvanger is gemonteerd.</p>

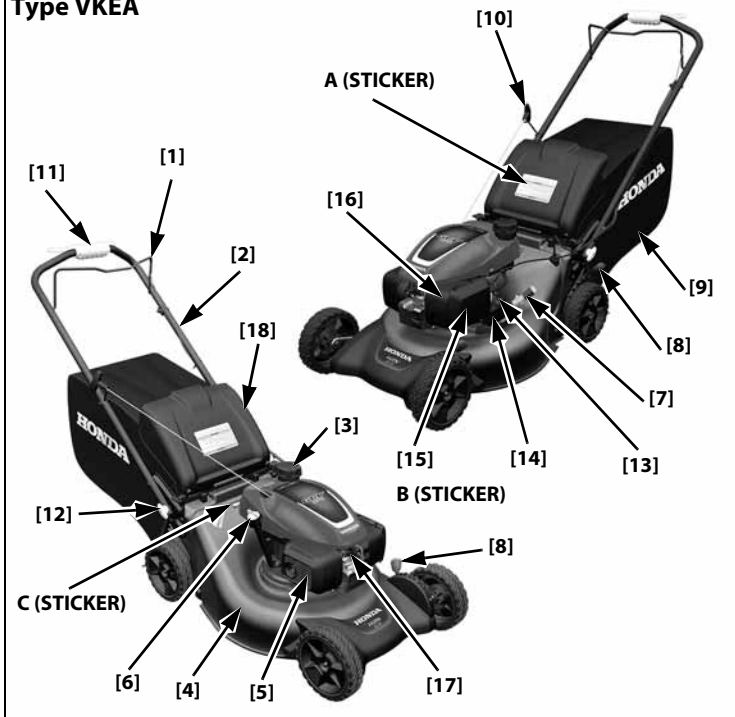
B	<p>5. Waarschuwing: Lees het gebruikershandboek voordat u de maaier gaat gebruiken.</p> <p>6. De uitlaatgassen van de motor bevatten giftig koolmonoxide. Laat de motor daarom niet in een afgesloten ruimte draaien.</p> <p>7. Benzine is uiterst brandbaar! Stop de motor voordat u brandstof gaat bijvullen.</p>
---	---

IDENTIFICATIE VAN DE MACHINE

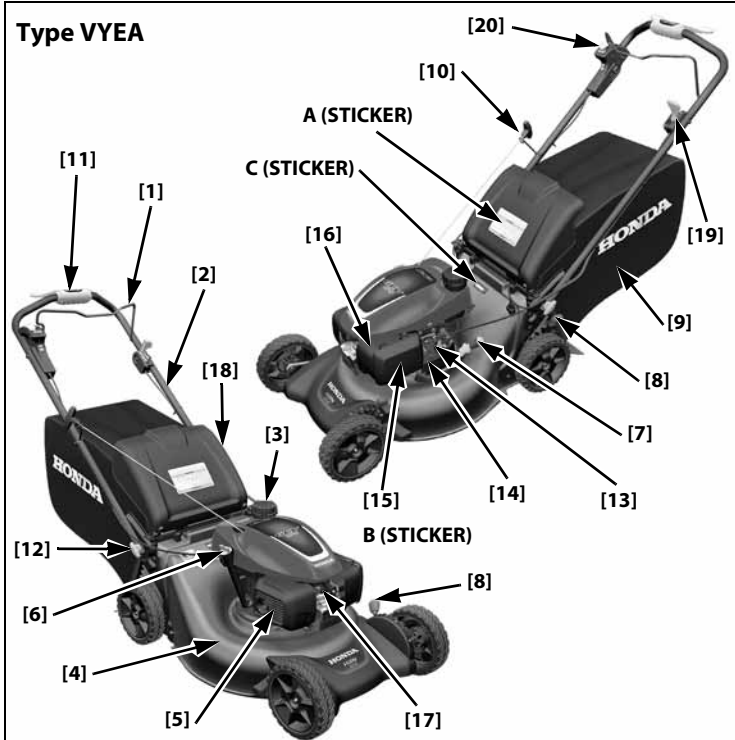
Letter	Betekenis
C	<p>1. Geluidsniveau</p> <p>2. CE-markering</p> <p>3. Optioneel conformiteitsmerkteken</p> <p>4. UKCA-markering (voor het Verenigd Koninkrijk)</p> <p>5. Nominaal vermogen in kilowatt</p> <p>6. Aanbevolen motortoerental in min^{-1}</p> <p>7. Productiemaand en -jaar</p> <p>8. Gewicht in kg (zonder vloeistoffen)</p> <p>9. Serienummer van het frame (type en serienummer van verklaring van overeenstemming)</p> <p>10. Model - Type</p> <p>11. Naam en adres van de geautoriseerde vertegenwoordiger</p> <p>12. Naam en adres van de fabrikant</p>

ALGEMENE BESCHRIJVING

Type VKEA



Type VYEA



1	Bedieningshendel van de maaimessen (Start en stopt de maaimessen)	11	Smart Drive-regelaar
2	Duwboom	12	Instelknop duwboom (2)
3	Dop van brandstoftank	13	Benzinekraan
4	Maaidek	14	Serienummer van de motor
5	Uitlaat	15	Luchtfilter
6	Olievuldop	16	Carburateur
7	Knop voor Clip Director	17	Bougiedop
8	Hendel voor maaihoogteregeling (2)	18	Uitwerpscherm
9	Grasvanger	19	Gashendel (VYEA)
10	Repeteerstarter	20	Roto-Stop-knop (VYEA)

VOORBEREIDINGEN EN CONTROLES VOOR GEBRUIK

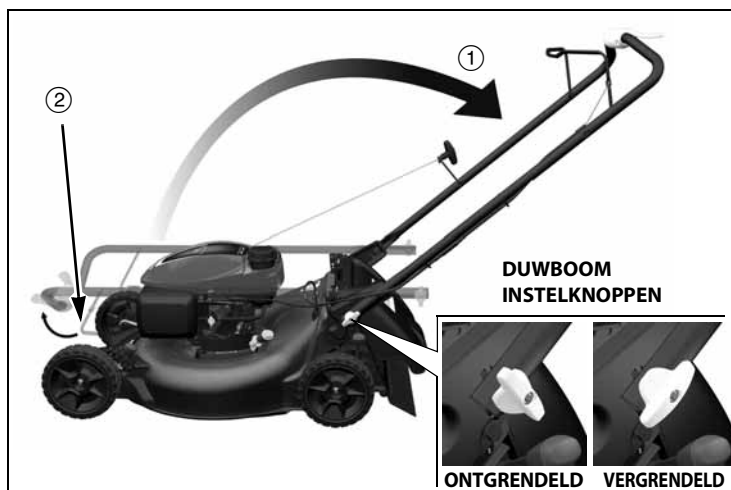


UITPAKKEN

Verwijder al het karton rondom de duwboom.

VERSTELLEN VAN DE DUWBEUGEL

Draai de instelknoppen van de duwboom in de ontgrendelde stand en verhoog vervolgens zorgvuldig de duwboom tot de maaistand ①. Bij het type VKEA moet de bedieningshendel van de maaimessen ② tegen de duwboom worden getrokken.



Lijn de instelknoppen uit met een van de twee gaten op elke hendelstang. Door de instelknoppen in de onderste gaten te zetten, komt de duwboom in de hoogste stand te staan.

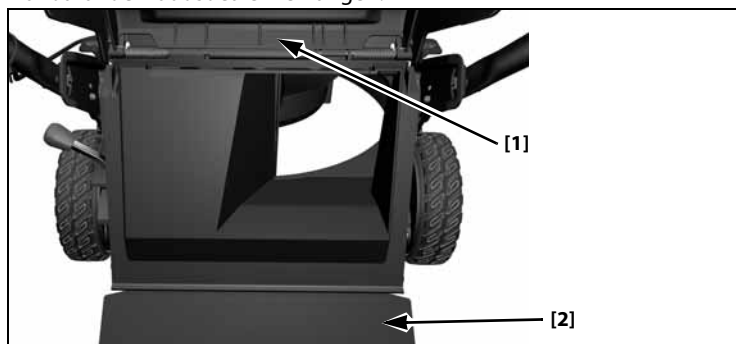
Draai de instelknoppen van de duwboom 90 graden in de vergrendelde stand en zorg ervoor dat beide zijden op dezelfde hoogte staan.

OPMERKING

Zorg ervoor dat de bedieningskabels niet beklemd, gekneld of geknikt raken bij het uitklappen van de duwboom. De kabels of het motorbesturingssysteem kunnen beschadigd raken.

CONTROLLEREN VAN HET ACHTERSCHERM

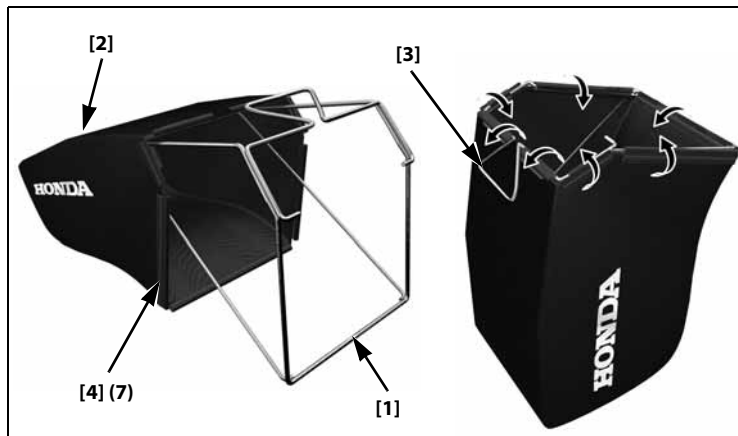
Bij normaal gebruik is het achterscherm onderhevig aan veroudering en slijtage. Verwijder de grasvanger en klap het uitwerpscherm [1] omhoog om het achterscherm [2] op scheuren of barsten te controleren. Indien het achterscherm overmatig versleten is, laat het dan door uw erkende Honda-onderhoudsdealer vervangen.



CONTROLLEREN VAN DE GRASVANGER



1. Monteer het geassembleerde frame [1] in de stoffen grasvanger [2], en houd de hendel van de grasvanger [3] vrij.
2. Bevestig de zeven plastic clips [4] om de stoffen vanger aan het frame vast te maken.



Een grasmaaier werkt als een stofzuiger: hij blaast lucht door de zak, waardoor het maaisel wordt opgevangen. Leeg de grasvanger altijd voordat hij helemaal vol is. Het vermogen van de grasvanger neemt af wanneer de zak voor ongeveer 90% vol is. Het is ook gemakkelijker de zak te legen wanneer deze niet volgepropt is.

Inspectie

Bij normaal gebruik is het materiaal van de grasvanger onderhevig aan veroudering en slijtage.

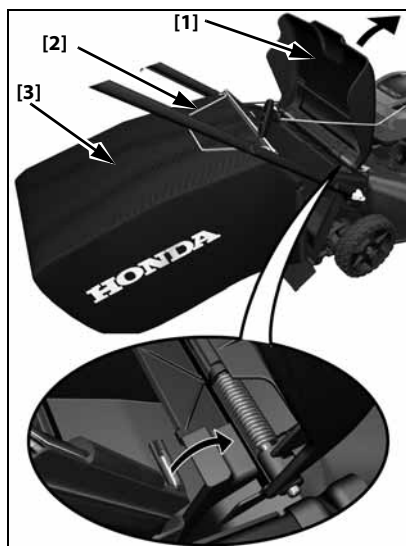
OPMERKING

Inspecteer de grasvanger regelmatig op scheuren, gaten en overmatige slijtage. Controleer op noodzakelijke vervanging. Verzeker u ervan dat de nieuwe zak voldoet aan de originele specificatie.

Als de grasvanger aan vervanging toe is, kunt u zelf een zak verwijderen en installeren (page 14).

Installatie

1. Klap het uitwerpscherm [1] omhoog en haak de grasvanger [3] met de grasvangerhendel [2] vast aan het maaidek, zoals afgebeeld.
2. Maak het uitwerpscherm los om de grasvanger vast te zetten.



Demontage

1. Klap het uitwerpscherm omhoog, pak de grasvangerhendel vast en verwijder de grasvanger.
2. Maak het uitwerpscherm los.
3. Wanneer de grasvanger los is van het uitwerpscherm, kunt u hem optillen door de opening in de duwboom, of u kunt hem naar de achterkant van de grasmaaier onder de duwboom verwijderen.

CONTROLLEREN VAN HET BRANDSTOFPEIL



Deze motor is gecertificeerd om te werken op loodvrije benzine met een researchoctaangetal van 91 of hoger.

Vereiste brandstofsificatie(s) om een goede werking van het emissieregelsysteem te waarborgen: E10-brandstof zoals vastgelegd in de desbetreffende EU-richtlijnen.

Wij raden aan na elk gebruik bij te tanken om lucht in de brandstoftank tot een minimum te beperken.

Tank in een goed geventileerde ruimte voordat u de motor start. Als de motor gedraaid heeft, laat hem dan afkoelen. Tank de maaier nooit bij in een gebouw waar benzinedampen vlammen of vonken kunnen bereiken.

U mag gewone loodvrije benzine gebruiken met niet meer dan 10% ethanol (E10) of 5% methanol per volume. Bovendien moet de methanol cosolvents en corrosieremmers bevatten. Het gebruik van brandstoffen met een hoger ethanol- of methanolgehalte dan hierboven aangegeven, kan start- en/of prestatieproblemen veroorzaken. Het kan ook metalen, rubberen en plastic onderdelen van het brandstofsysteem beschadigen. Bovendien is ethanol hygroscoopisch, wat betekent dat het water aantrekt en vasthoudt in het brandstofsysteem. Motorschade of prestatieproblemen die het gevolg zijn van het gebruik van een brandstof met percentages ethanol of methanol die hoger zijn dan hierboven aangegeven, worden niet door de garantie gedekt. Gebruik van de hierboven aangegeven brandstof is noodzakelijk om een goede werking van het emissieregelsysteem te waarborgen.

Indien uw toestel niet frequent of met tussenpozen wordt gebruikt (meer dan 4 weken voor het volgende gebruik), raadpleeg dan het onderdeel *Brandstof* van het hoofdstuk OPSLAG (page 16) voor bijkomende informatie over de veroudering van de brandstofkwaliteit.

WAARSCHUWING

Benzine is uiterst brandbaar en explosief.

U kunt brandwonden of ernstig letsel oplopen wanneer u met brandstof omgaat.

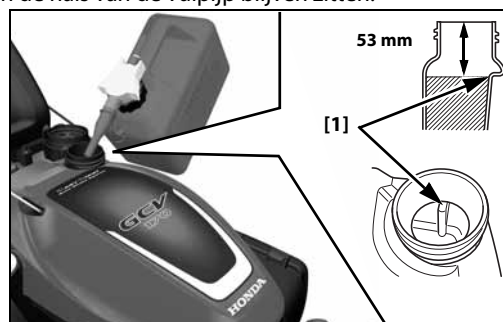
- Stop de motor en laat hem afkoelen.
- Houd hitte, vonken en vlammen uit de buurt.
- Hanteer brandstof alleen buiten.
- Dweil gemorste vloeistoffen onmiddellijk op.

Gebruik nooit verouderde of vervuilde benzine of een olie/benzine-mengsel. Voorkom dat er vuil of water in de brandstoftank komt.

OPMERKING

Brandstof kan verf en kunststof beschadigen. Zorg ervoor dat u geen brandstof morst wanneer u uw brandstoftank vult. Schade veroorzaakt door gemorste brandstof wordt niet door de garantie gedekt.

Verwijder de tankdop en controleer het brandstofpeil. Vul de tank bij tot aan de bovenste limiet [1] als het brandstofpeil laag is. Vul zorgvuldig bij om morsen van brandstof te voorkomen. Vul niet te veel bij; er mag geen brandstof in de hals van de vulpijp blijven zitten.



Draai na het tanken de dop van de brandstoftank goed vast.

Verplaats de maaier ten minste 3 meter van de brandstofbron en locatie voordat u de motor start.

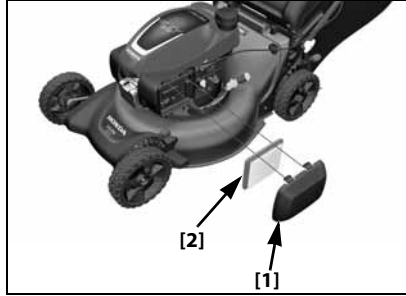
Opslagtank voor brandstof

Bewaar uw benzine in een schone, plastic, goed afgesloten opslagtank die is goedgekeurd voor opslag van brandstof. Sluit de ontluichtingsopening (indien aanwezig) wanneer u het toestel niet gebruikt, en bewaar de opslagtank uit de buurt van direct zonlicht. Als het langer dan 3 maanden duurt voordat u de brandstof in de opslagtank gebruikt, raden wij u aan een brandstofstabilisator aan de brandstof toe te voegen wanneer u de tank vult.

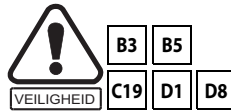


CONTROLLEREN VAN HET LUCHTFILTER

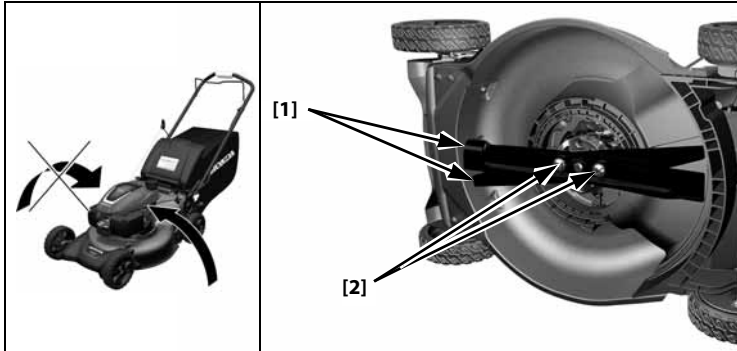
Verwijder het deksel [1]. Verzekert u ervan de het filter [2] schoon is en in goede staat. Een vuil luchtfilter beperkt de luchtstroom naar de carburateur, waardoor de motor minder goed presteert. Raadpleeg page 11 voor het onderhoud van het luchtfilter.



CONTROLLEREN VAN DE TOESTAND VAN DE MAAIMESSEN



1. Zet de benzinekraan in de stand OFF (page 9) en trek de bougiesdop van de bougie (page 12).
2. Kantel de maaier naar rechts, zodat de tankdop aan de bovenzijde komt. Dit helpt brandstoflekage, het binnensijpelen van motorolie in het luchtfilter en moeilijk starten te voorkomen.
3. Controleer de maaimessen [1] en de mesbevestigingsbouten [2] op beschadigingen, scheuren en overmatige slijtage, roest of corrosie.



⚠ WAARSCHUWING

Een versleten, gebarsten of beschadigd maaiemes kan breken, en stukken van het beschadigde maaiemes kunnen gevaarlijke projectielen worden.

Weggeslingerde voorwerpen kunnen ernstig letsel veroorzaken. Controleer de maaimessen regelmatig en gebruik de maaier niet met een versleten of beschadigd maaiemes.

Een bot maaiemes kan worden geslepen, maar een maaiemes dat versleten, verbogen, gebarsten of anderszins beschadigd is, moet worden vervangen. Een versleten of beschadigd maaiemes kan breken, waardoor stukken van het maaiemes uit de maaier worden geslingerd.

Wanneer een maaiemes moet worden geslepen of vervangen, breng de grasmaaier dan naar een erkende Honda-dealer. Of, als u een momentsleutel hebt, kunt u het maaiemes zelf verwijderen en installeren.

Controleer of de mesbevestigingsbouten goed vastzitten (page 13).

INSTELLEN VAN DE MAAIHOOGTE



Er zijn twee hendels voor maaioogteregeling aanwezig aan de linkerkant van de grasmaaier. De hendel [1] op het linker voorwiel stelt de hoogte van beide voorwielen in, en de hendel [2] op het linker achterwiel stelt de hoogte voor beide achterwielen in. Beide hendels kunnen in een van zeven standen worden gezet. De werkelijke hoogte waarop het gras wordt afgesneden varieert al naar gelang de staat van het gazon en de bodem.

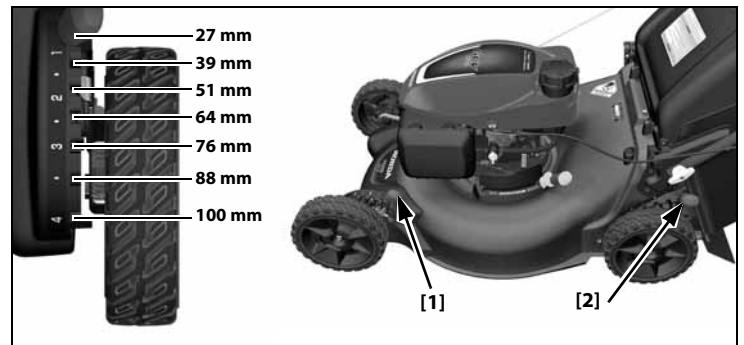
Zorg ervoor dat de motor niet draait wanneer u de maaioogte instelt.

Zet de voorste en achterste verstelhendel in dezelfde stand, naar voren voor hoog gras en naar achteren voor kort gras.

Controleer de maaioogte-instellingen van het maaidek et zorg ervoor dat beide verstelhendels [1] [2] op dezelfde maaioogtestand zijn ingesteld.

Om de maaioogte aan te passen, beweegt u eerst de achterste hendel voor maaioogteregeling. Pak de duwboom vast en til de maaier iets op, trek vervolgens de verstelhendel naar het wiel toe en breng deze op de gewenste hoogte. Stel de voorste hendel voor maaioogteregeling in om overeen te komen met de achterste hoogte-instelling.

Als u niet zeker weet welke maaioogte u moet kiezen, begin dan met een hoge instelling en controleer het uiterlijk van het gazon na het maaien van een proefstukje. Stel vervolgens de maaioogte bij indien nodig.



Raadpleeg een plaatselijke kwekerij of tuincentrum voor aanbevelingen over de maaioogte en advies over specifieke grassoorten en groeiomstandigheden in uw regio.

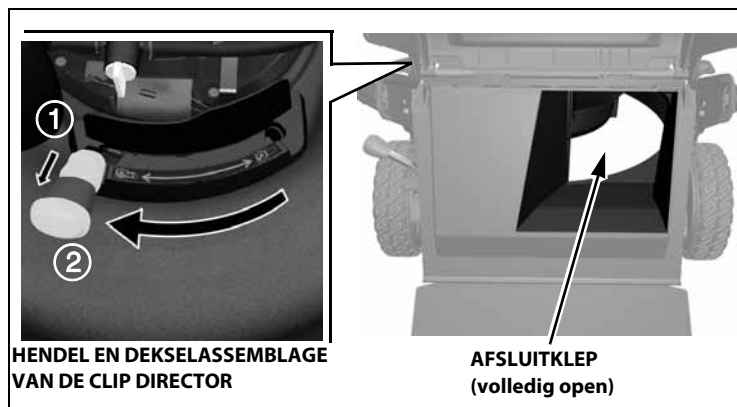
Als u goed kijkt, ziet u dat de meeste grassen stengels en bladeren hebben. Als u de bladeren eraf maait, scalpeert u het gazon. Laat het gras tussen de maaibeurtten herstellen. Uw maaier zal beter werken, en uw gazon zal er beter uitzien.

Als uw gras te hoog wordt, maai het dan eenmaal op de hoogste maaioogte en maai het 2 of 3 dagen later opnieuw. Maai niet meer dan een derde van de totale grashoogte weg, anders kunnen er bruine plekken ontstaan.



Opvang of achter-uitworp

Ontgrendel ① en zet vervolgens de hendel van de Clip Director in de stand OPVANGEN ②.



Om het maaisel naar achteren af te voeren, verwijdert u de grasvanger en laat u de hendel van de Clip Director in de stand OPVANGEN staan.



STARTEN EN AFZETTEN VAN DE MOTOR



VOORZORGSMAATREGELEN BIJ HET MAAIEN

Voordat u de maaier voor de eerste keer gebruikt, moet u het volgende doornemen: *VEILIGHEIDSAANWIJZINGEN* (page 2) en *VOORBEREIDINGEN EN CONTROLES VOOR GEBRUIK* (page 4).

Zelfs als u andere maaiers hebt gebruikt, neem dan de tijd om vertrouwd te raken met de werking van deze maaier en oefen op een veilige plaats tot u uw vaardigheden hebt ontwikkeld.

Voor uw veiligheid dient u te vermijden de motor te starten of te gebruiken in een afgesloten ruimte zoals een garage. De uitlaatgassen van uw maaier bevatten giftig koolmonoxidegas dat zich in een afgesloten ruimte snel kan verzamelen en ziekte of de dood kan veroorzaken.

FREQUENTIE VAN GEBRUIK

Indien uw toestel niet frequent of met tussenpozen wordt gebruikt (meer dan 4 weken voor het volgende gebruik), raadpleeg dan het onderdeel *Brandstof* van het hoofdstuk *OPSLAG* (page 16) voor bijkomende informatie over de veroudering van de brandstofkwaliteit.

STARTEN VAN DE MOTOR

1. Draai de benzinekraan in de stand ON (open) (page 9).

2. **Type VKEA:**

Trek de bedieningshendel van de maaimessen [1] naar achteren en houd hem tegen de duwboom.

De hendel moet tegen de duwboom worden gehouden om de motor te starten. De maaimessen beginnen te draaien wanneer de hendel tegen de duwboom is geplaatst en aan de handgreep van de repeteerstarter wordt getrokken.



Type VYEA:

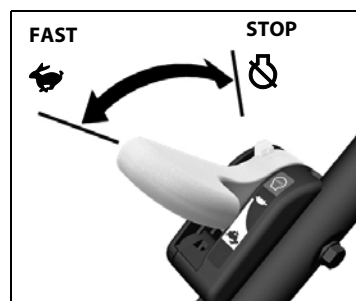
Zet de gashendel in de stand FAST.

3. Trek lichtjes aan de handgreep van de starter tot u weerstand voelt en trek dan krachtig. Laat de handgreep van de starter voorzichtig terugkeren.

Type VKEA: Blijf de

bedieningshendel van de maaimessen tegen de duwboom houden; de motor stopt wanneer de bedieningshendel van de maaimessen wordt losgelaten.

Begin met maaien zodra de motor aanslaat en laat de motor gedurende ten minste drie minuten draaien alvorens hem af te zetten. Dit vergemakkelijkt later herstarten en waarborgt een goede werking van de automatische choke.



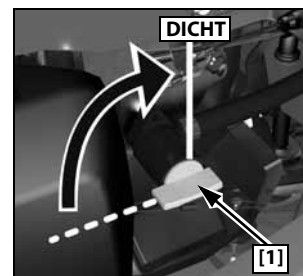
AFZETTEN VAN DE MOTOR

1. **Type VKEA:** Laat de bedieningshendel van de maaimessen los om de motor en het draaien van de maaimessen te stoppen.

Type VYEA: Laat de bedieningshendel van de maaimessen los om de motor en het draaien van de maaimessen te stoppen, en zet dan de gashendel in de stand STOP.

2. Als de maaier niet in gebruik is, zet dan de benzinekraan [1] in de stand DICHT.

3. Als uw toestel 3 tot 4 weken niet gebruikt zal worden, raden wij u aan de motor zonder brandstof te laten draaien totdat er geen benzine meer in de carburateur zit. U kunt dit doen door de benzinekraan DICHT te zetten, de motor opnieuw te starten en de brandstof op te laten raken. See "OPSLAG" on page 15 voor perioden van inactiviteit die langer duren dan 4 weken.



PRAKTISCHE INFORMATIE EN TIPS VOOR GEBRUIK

GEBRUIK VAN DE GRASMAAIER OP GROTE HOOGTEN

Op grote hoogte levert de standaardafstelling van de carburateur een te rijk benzine-luchtmengsel op. Hierdoor neemt het motorvermogen af en het brandstofverbruik toe. Een zeer rijk mengsel zal ook de bougie vervuilen en het starten bemoeilijken.

Prestaties op grote hoogte kunnen worden verbeterd door specifieke aanpassingen aan de carburateur. Als u uw maaier altijd gebruikt op hoogten boven 610 meter, laat dan een Honda-dealer deze aanpassing van de carburateur uitvoeren.

Zelfs met aanpassing van de carburateur zal het motorvermogen met ongeveer 3,5% afnemen voor elke toename in hoogte van 300 meter. Het effect van de hoogte op het vermogen zal nog groter zijn als de carburateur niet wordt aangepast.

OPMERKING

Wanneer de carburateur is aangepast voor gebruik op grote hoogte, zal het benzine-luchtmengsel te arm zijn voor gebruik op lage hoogte. Gebruik op hoogten onder 610 meter met een aangepaste carburateur kan de motor oververhitten en ernstige motorschade veroorzaken. Laat uw erkende Honda-dealer de carburateur terugzetten op de originele fabrieksspecificaties om de maaier op lage hoogten te kunnen gebruiken.

VEILIGE MAAIPRAKTIJKEN

Houd voor uw veiligheid alle vier de wielen op de grond en let op dat u uw evenwicht en de controle over de maaier niet verliest. Houd de duwboom stevig vast en loop, maar ren nooit met de maaier. Wees zeer voorzichtig bij het maaien van oneffen of ruw terrein.

Als de maaier vastzit, mag u hem niet met uw voet schoppen of duwen. Gebruik de duwboom om de maaier te besturen.

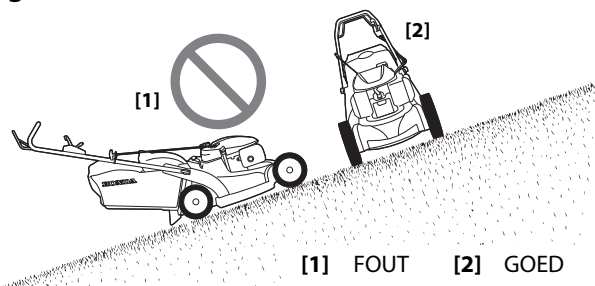
⚠ WAARSCHUWING

De maaimessen zijn scherp en draaien met een hoge snelheid.

Als u in contact komt met een draaiend maaimes, snijdt het u ernstig en kan het vingers en tenen amputeren.

- Draag beschermend schoeisel.
- Houd uw handen en voeten uit de buurt van het maaidek wanneer de motor draait.
- Stop de motor voordat u een afstelling, inspectie of onderhoud uitvoert.

Hellingen



Maai altijd dwars op een helling, niet van boven naar beneden of omgekeerd. Vermijd steile hellingen (meer dan 20° (36%)), en wees voorzichtig bij het veranderen van richting. Als u op een helling maait terwijl het gras vochtig of nat is, kunt u uitglijden, vallen en de controle over de maaier verliezen.

Obstakels

Gebruik de zijkant van de maaier om dichtbij grote obstakels te maaien, zoals hekken of muren.

Laat de Smart Drive-regelaar los om de aandrijving uit te schakelen bij het maaien rond bomen en andere obstakels. Duw de maaier rond obstakels voor een betere koersvastheid. Wees voorzichtig bij het maaien over obstakels die in het gazon vastzitten, zoals sproeikoppen, plavei, randen, enz. Vermijd alles wat boven het oppervlak van het gazon uitsteekt.

Als de maaimessen iets raken, of als de maaier begint te trillen, stop dan onmiddellijk de motor en controleer op schade. Voorwerpen die worden aangeraakt kunnen de maaimessen beschadigen, de krukas verbuigen en/of maaidek of andere onderdelen stukmaken. Trillingen duiden meestal op ernstige problemen.

⚠ WAARSCHUWING

Een versleten, gebarsten of beschadigd maaimes kan breken, en stukken van het beschadigde maaimes kunnen gevaarlijke projectielen worden.

Weggeslingerde voorwerpen kunnen ernstig letsel veroorzaken.

Controleer de maaimessen regelmatig en gebruik de maaier niet met een versleten of beschadigd maaimes.

Onderdelen die door een botsing zijn beschadigd worden niet door de garantie gedekt.

Grind en losse voorwerpen

Grind, losse stenen en tuinartikelen kunnen door de maaier worden opgepakt en worden weggeslingerd, met voldoende kracht om ernstig persoonlijk letsel en/of materiële schade te veroorzaken. De beste manier om mogelijk letsel door weggeslingerde voorwerpen te voorkomen is de bedieningshendel van de maaimessen los te laten om de maaimessen te stoppen voordat u gebieden met grind, losse stenen of tuinartikelen bereikt.

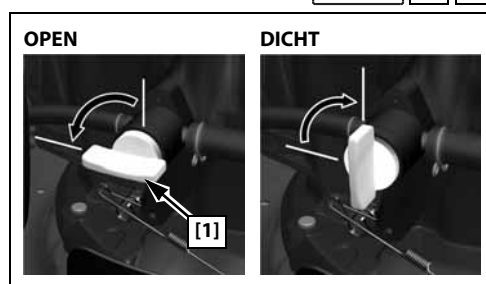
DE BEDIENINGSELEMENTEN

GEBRUIKEN OM TE MAAIEN



Benzinekraan

De benzinekraan [1] opent en sluit de verbinding tussen de brandstoftank en de carburateur.



Bedieningssysteem van de maaimessen

Type VKEA

Om de motor te starten en te laten draaien, moet de bedieningshendel van de maaimessen [1] tegen de duwboom worden getrokken. De maaimessen beginnen te draaien wanneer de hendel naar achteren tegen de duwboom wordt getrokken en aan de handgreep van de repeteerstarter wordt getrokken.



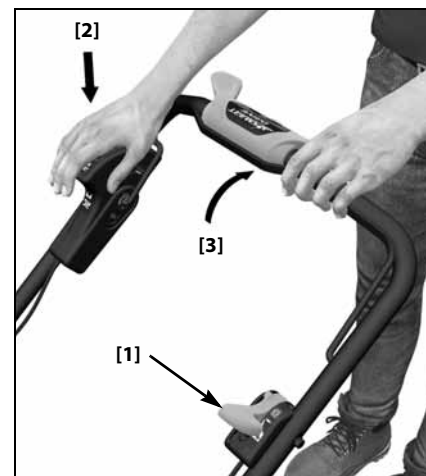
Blijf de hendel van de maaimessen volledig tegen de duwboom drukken. Hierdoor blijven de motor en de maaimessen soepel draaien en wordt voortijdige slijtage van het bedieningssysteem van de maaimessen voorkomen.

Laat de bedieningshendel van de maaimessen los om de motor en het draaien van de maaimessen te stoppen wanneer u de maaier moet laten staan.

Type VYEA

Om het draaien van de maaimessen te starten, moet de motor draaien en de gashendel [1] in de stand SNEL staan.

1. **Houd** de Roto-Stop®-knop [2] ingedrukt.
2. Trek de bedieningshendel [3] van de maaimessen snel tegen de duwboom, zodat de motor de maaimessen op volle snelheid kan brengen. Laat vervolgens de Roto-Stop-knop los.



Blijf de hendel van de maaimessen volledig tegen de duwboom drukken zodat de maaimessen blijven draaien. De bedieningshendel van de maaimessen moet altijd volledig ingeschakeld of volledig losgelaten zijn. Schakel de hendel niet gedeeltelijk in.

Laat de bedieningshendel van de maaimessen los om het draaien van de maaimessen te stoppen. Laat de bedieningshendel van de maaimessen altijd los voordat u de motor start, om te voorkomen dat de maaimessen gaan draaien.

Smart Drive-regelaar

Druk bij lopende motor en draaiende maaimessen rustig op de Smart Drive-regelaar om de maaier in beweging te brengen.

De rijsnelheid neemt toe naarmate er meer druk wordt uitgeoefend op de Smart

Drive-regelaar. Nadat de maximale rijsnelheid is bereikt, zal het uitoefenen van extra druk de grondsnelheid niet verder verhogen. Oefen alleen genoeg druk uit om de gewenste snelheid te bereiken.

Laat de Smart Drive-regelaar los om de aandrijving uit te schakelen bij het maaien rond bomen en andere obstakels. Duw de maaier rond obstakels voor een betere koersvastheid.

De rijsnelheid varieert afhankelijk van het terrein, de graslengte, de helling en het gewicht van de grasvanger. Met de Smart Drive-regelaar kunt u de gewenste rijsnelheid aanhouden onder voortdurend veranderende maaioomstandigheden.

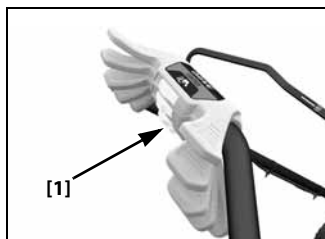
Laat de Smart Drive-regelaar los om de achterwielen te ontkoppelen (stoppen).

De Smart Drive-regelaar instellen

De Smart Drive-regelaar kan in vijf standen omhoog of omlaag worden gezet voor meer comfort voor de gebruiker.

Probeer niet de stand van de Smart Drive-regelaar te verstellen terwijl de maaier in beweging is.

Schuif de multistanden-versteller [1] naar links om de regelaar te ontgrendelen, zet de Smart Drive-regelaar omhoog of omlaag in de meest comfortabele stand, laat de multistanden-versteller vervolgens los en laat hem inschakelen.

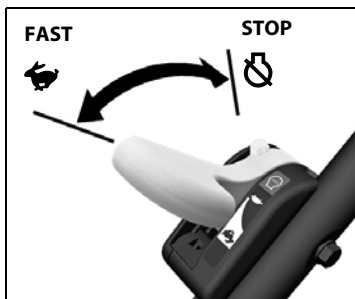


Gashendel

Type VYEA

Voor de beste maaikwaliteit moet u altijd maaien met de gashendel in de stand FAST. Wanneer de maaimessen op de vooraf ingestelde hoge snelheid draaien, ontstaat een sterke waaiervorming die het gras efficiënter optilt en afsnijdt.

Probeer niet het vooraf ingestelde FAST motortoerental te verhogen; de maaimessen zouden kunnen breken en loskomen.



MAAITIPS

Wanneer maaien?

De meeste grassen moeten worden gemaaid wanneer ze 12 ~ 25 mm boven hun aanbevolen hoogte zijn gegroeid.

Voor mulchen moet vaker worden gemaaid dan voor opvangen. Voor de beste resultaten moet u het gazon tijdens het groeiseizoen misschien twee keer per week maaien.

Maaibreedte

Voor een gelijkmatig gazon overlapt u elke maaistrook met enkele centimeters. Als het gras erg hoog of dik is, gebruik dan meer overlapping en een smallere maaistrook.

Snelheid van de maaimessen

De maaimessen moeten zeer snel draaien om goed te kunnen snijden.

Als het motortoerental daalt, kan dat betekenen dat de motor wordt overbelast doordat de maaimessen te veel gras proberen te maaien. Maai een smallere maaistrook, duw de maaier langzamer, of verhoog de maaihogte.

Scherpte van de maaimessen

Een scherp maaimes snijdt schoon. Een bot maaimes scheurt het gras en laat versnipperde uiteinden achter die bruin worden. Wanneer uw maaimessen niet meer goed snijden, laat ze dan slijpen of vervangen.

Droog gras

Als de grond te droog is, zal het maaien veel stof doen opwaaien. Te veel stof is niet alleen onaangenaam om in te werken, maar verstopt ook het luchtfilter van de carburateur.

Als stof een probleem is, besproei uw gazon dan de dag voordat u gaat maaien. Maai wanneer het gras droog aanvoelt, maar de grond nog vochtig is.

Nat gras

Nat gras is glibberig waardoor u kunt uitglijden. Bovendien zal nat gras het maaidek verstopen en zich in kluiten op het gazon ophopen. Wacht altijd tot het natte gras droog is voordat u gaat maaien.

Afgevallen bladeren

Wanneer uw maaier is uitgerust met de grasvanger, kunt u afgevallen bladeren verzamelen en weggooien. Als u de maaier gebruikt om grote hoeveelheden afgevallen bladeren te verzamelen, en niet om te maaien, stel dan de hendel voor het instellen van de maaihogte vooraan zo in dat de voorkant van het maaidek een of twee instellingen hoger staat dan de achterkant.

Als u afgevallen bladeren in uw gazon als mulch wilt verwerken, moet u het bladerdek niet te diep laten worden voordat u begint. Voor het beste resultaat begint u met mulch als het gras nog door het bladerdek heen komt. Op plaatsen waar afgevallen bladeren het gras volledig bedekken, verwijdert u de bladeren door ze weg te harken, of installeert u de grasvanger, zodat uw maaier ze kan verzamelen om af te voeren.

Verstopt maaidek

Voordat u een verstopt maaidek schoonmaakt, moet u de motor stoppen en de benzinekraan in de stand DICHT zetten. Kantel de maaier met de bougiekop verwijderd, zodat de luchtfilterzijde naar boven wijst.

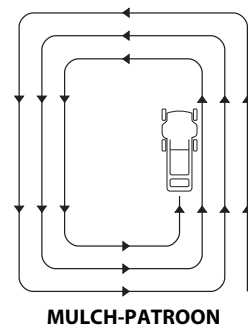
Maak een verstopt maaidek schoon met een stok, niet met uw handen.

Maaipatronen

Uw Honda-maaier zal het meest efficiënt werken als u de volgende maaipatronen zo veel mogelijk gebruikt. Het ontwerp van het maaidek en van de uitrusting, en de richting waarin de maaimessen draaien, zorgen ervoor dat deze maaipatronen de beste resultaten opleveren.

Met mulch bedekken

Gebruik een maaipatroon tegen de wijzers van de klok in wanneer de hendel van de Clip Director in de stand MULCH staat. Als het gazon een onregelmatige vorm heeft, of veel obstakels, verdeel het dan in secties waar u tegen de klok in kunt maaien.



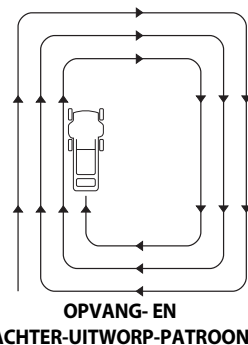
MULCH-PATROON

Opvangen

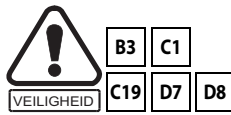
Gebruik een maaipatroon met de klok mee. Dit geeft de beste Clip Director- en opvangprestaties en laat het minste maaisel achter op het gazon.

Achteruitworp-maaien

Verwijder de grasvanger en sluit het uitwerpscherm. Zet de hendel van de Clip Director in de stand OPVANGEN en begin met maaien in een maaipatroon met de klok mee. Als het gazon een onregelmatige vorm heeft, of veel obstakels, verdeel het dan in secties.

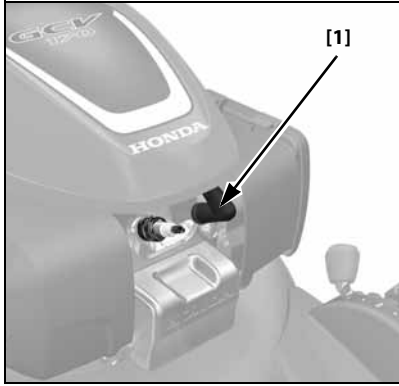


OPVANG-EN
ACHTER-UITWORP-PATROON



⚠ WAARSCHUWING

Verwijder voordat u met onderhoudswerkzaamheden aan de maaier begint altijd eerst de bougiedop [1]: zo voorkomt u onbedoeld starten van de motor.



HET BELANG VAN ONDERHOUD

Goed onderhoud is essentieel voor een veilige, zuinige en probleemloze werking. Het zal ook bijdragen tot een vermindering van de luchtvervuiling en ervoor zorgen dat de emissieprestaties van de motor behouden blijven.

Om u te helpen uw maaier goed te onderhouden, vindt u op de volgende pagina Andere onderhoudstaken die moeilijker zijn, of speciaal gereedschap vereisen, kunnen best uitgevoerd worden door professionals en worden normaal gezien uitgevoerd door een Honda-technicus of een ander gekwalificeerd vakman.

Het onderhoudsschema geldt voor normale bedrijfsomstandigheden. Indien u uw maaier onder ongewone omstandigheden gebruikt, raadpleeg dan een erkend Honda-dealer voor aanbevelingen die van toepassing zijn op uw individuele behoeften en gebruik.

Vergeet niet dat uw Honda-dealer uw maaier het best kent en volledig uitgerust is om hem te onderhouden en te herstellen.

Om de beste kwaliteit en betrouwbaarheid te verzekeren, dient u voor reparatie en vervanging alleen nieuwe, originele Honda-onderdelen of hun equivalenten te gebruiken.

⚠ WAARSCHUWING

Onjuist onderhoud of het niet verhelpen van een probleem voordat het toestel in gebruik wordt genomen, kan een storing veroorzaken waarbij u ernstig gewond kunt raken of gedood kunt worden.

Volg altijd de aanbevelingen en schema

VEILIG ONDERHOUD

Hieronder volgen enkele van de belangrijkste veiligheidsmaatregelen. Wij kunnen u echter niet voor elk denkbaar gevaar dat zich bij het uitvoeren van onderhoud kan voordoen, waarschuwen. Alleen u kunt beslissen of u een bepaalde taak wel of niet zou moeten uitvoeren.

⚠ WAARSCHUWING

Als u de onderhoudsinstructies en voorzorgsmaatregelen niet goed opvolgt, kunt u ernstig gewond raken of gedood worden.

Volg altijd de procedures en voorzorgsmaatregelen in dit gebruikershandboek.

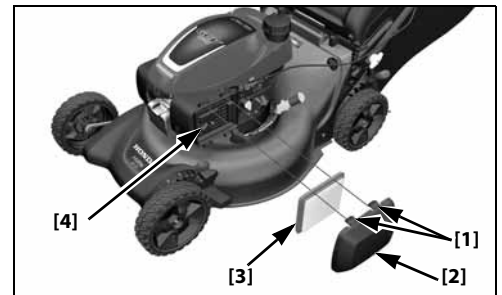
ONDERHOUD VAN HET LUCHTFILTER

Een goed onderhouden luchtfilter helpt te voorkomen dat vuil uw motor binnendringt. Vuil dat in de carburateur komt, kan in kleine doorgangen in de carburateur worden gezogen en voortijdige motorslijtage veroorzaken. Deze kleine doorgangen kunnen verstopt raken, waardoor start- of loopproblemen ontstaan. Het is aangeraden om steeds een origineel Honda-luchtfilter te gebruiken, gespecificeerd voor uw motor, om te verzekeren dat hij goed afdicht en presteert zoals ontworpen. U moet het filter vaker reinigen als u de motor in zeer stoffige omstandigheden gebruikt.

OPMERKING

Bij gebruik van de motor zonder luchtfilter of met een beschadigd luchtfilter kan er vuil in de motor binnendringen, wat tot versnelde slijtage van de motor leidt. Dit soort schade wordt niet door de garantie gedekt.

1. Druk de lipjes van het luchtfilterdeksel [1] naar beneden en verwijder vervolgens het deksel [2].
2. Verwijder het filterelement [3] uit het luchtfilterhuis [4].
3. Inspecteer het filter; vervang indien beschadigd.
4. Reinig het filterelement door het meerdere keren op een hard oppervlak uit te kloppen om het vuil eruit te verwijderen of blaas het filterelement vanaf de binnenzijde door met perslucht (met een maximale druk van 2 bar/29 psi). Probeer nooit vuil weg te borstelen; door borstelen wordt het vuil in de vezels geforceerd.
5. Veeg met een vochtige doek vuil weg van de binnenkant van het luchtfilterhuis en het luchtfilterdeksel. Let erop dat er geen vuil in het luchtinlaatkanaal naar de carburateur binnendringt.
6. Plaats het filterelement terug en breng het deksel weer aan.



MOTOROLIE VERVERSEN

Tap de olie af terwijl de motor warm is. Warme olie stroomt snel en volledig weg.



1. Draai de benzinekraan DICT. Dit voorkomt mogelijke brandstoflekage (page 9).
2. Veeg de omgeving rond de olievulhals schoon en verwijder de olievuldop/peilstok.

3. Plaats een geschikte opvangbak naast de maaier om de gebruikte olie op te vangen en kantel de maaier vervolgens op zijn rechterkant. De gebruikte olie stroomt uit de hals van de vulpijp. Laat de olie helemaal uitstromen.



Voer gebruikte motorolie en de verpakkingen op een milieuvriendelijke manier af.

Wij raden u aan deze in een afgesloten houder naar uw plaatselijke recyclingcentrum of tankstation te brengen om het te laten recyclen. Gooi het niet in de vuilnisbak, gooi het niet op de grond en gooi het niet in de gootsteen.

4. Vul de motor bij met olie van het aanbevolen type (page 7).

Bijvulhoeveelheid:

0,35~0,40 L

Vul niet te veel olie bij.

Meet het oliepeil zoals hieronder aangegeven.

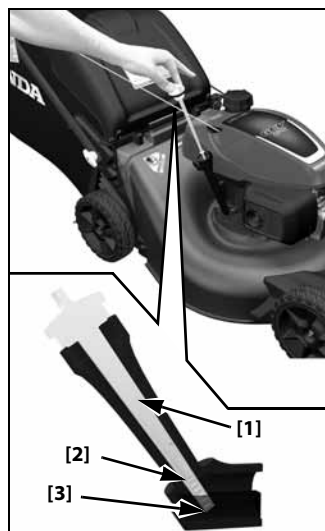


5. Controleer na het verversen van de motorolie eerst het oliepeil voordat u de motor start. Plaats de maaier hiervoor op een vlakke ondergrond:

- a. Verwijder de olievuldop/peilstok [1].

- b. Veeg de peilstok schoon.

- c. Plaats en verwijder de peilstok zonder deze in de hals van de vulpijp te schroeven. Controleer het oliepeil dat op de peilstok zichtbaar is.



- d. Als het oliepeil onder het onderste merkteken [3] staat, vul dan olie bij tot aan het merkteken van de bovengrens [2] op de peilstok. Vul niet te veel olie bij. Als de motor te vol wordt bijgevuld, kan de overtollige olie op het luchtfilterhuis en het luchtreinigingsfilter terecht komen.

OPMERKING

Het laten draaien van de motor met een laag oliepeil kan motorschade veroorzaken.

- e. Plaats de vuldop/peilstok terug en draai deze stevig vast.

CONTROLLEREN VAN DE BOUGIE

Benodigde bougies:

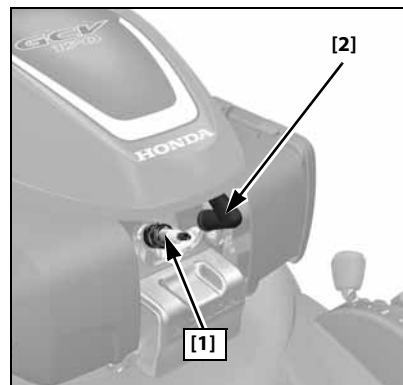
NGK - BPR5ES

OPMERKING

Verkeerde bougies kunnen motorschade veroorzaken.

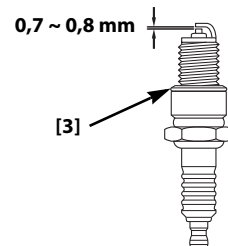
Voor goede prestaties moet de bougie [1] de juiste elektrodeafstand hebben en vrij zijn van aanslag.

1. Trek de bougiedop [2] van de bougie, en verwijder eventueel vuil rond de bougie.
2. Verwijder de bougie met een bougiesleutel.



3. Controleer de bougie.

Vervang de bougie als de elektroden zijn versleten of als de isolator is gebarsen of geschilferd.



4. Meet de afstand tussen de elektroden van de bougie met een geschikte voelmaat. Deze afstand moet 0,7 tot 0,8 mm bedragen. Corrigeer indien nodig deze afstand door de zij-elektrode voorzichtig te verbuigen.
5. Monteer de bougie zorgvuldig met de hand, om beschadiging van de schroefdraad te voorkomen.
6. Trek de bougie nadat deze handvast is aangedraaid nog iets na met een bougiesleutel om de sluitring vast te zetten. Bij het terugplaatsen van een gebruikte bougie moet deze na het handvast aandraaien nog 1/8 tot 1/4 slag verder worden vastgedraaid. Bij het monteren van een nieuwe bougie moet deze na het handvast aandraaien nog 1/2 slag verder worden vastgedraaid om de sluitring [3] samen te drukken.

AANHAALMOMENT: 20 N•m

OPMERKING

Een loszittende bougie kan oververhitting en beschadiging van de motor veroorzaken. Het te vast aandraaien van de bougie kan tot beschadiging van de schroefdraad in de cilinderkop leiden.

7. Monteer de bougiedop op de bougie.

ONDERHOUD VAN DE VONKENVANGER (OPTIONELE UITRUSTING)

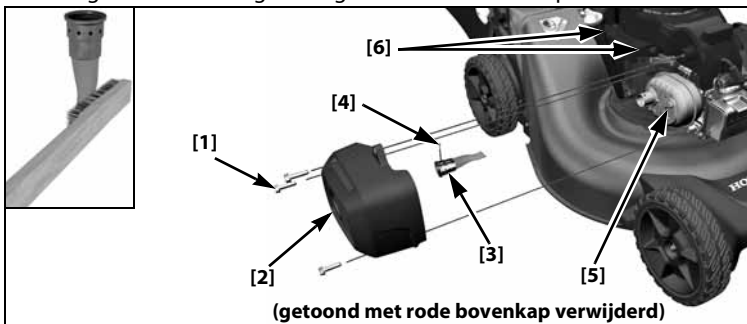
In Europa en in andere landen waar machinerichtlijn 2006/42/EG van kracht is, moet dit onderhoud worden uitgevoerd door uw onderhoudsdealer.

De vonkenvanger moet om de 100 uur worden onderhouden om te zorgen dat hij naar behoren blijft functioneren.

1. Laat de motor afkoelen.
2. Maak de twee lipjes [6] van de rode bovenkap aan de kant van de uitlaatdemper van de motor los en til de rode afdekking vervolgens iets omhoog om de bout van het bovenste uitlaatdemperschermbloot te leggen.
3. Verwijder de drie bouten [1] van het uitlaatdemperschermbloot met behulp van een 10 mm-dopsleutel.
4. Verwijder het uitlaatdemperschermbloot [2].
5. Verwijder de stelschroef [4].
6. Verwijder de vonkenvanger [3] van de uitlaatdemper [5].
7. Controleer op koolstofafzetting op de vonkenvanger en de uitlaatpoort. Borstel de koolaanslag weg. Wees voorzichtig om beschadiging van het scherm van de vonkenvanger te voorkomen.
8. Monteer de vonkenvanger in de uitlaatdemper.



9. Monteer het geluiddemperscherp op de motor, draai de drie bouten stevig vast en bevestig vervolgens de rode bovenkap weer.



DEMONTAGE EN MONTAGE VAN DE MAAIMESSEN

Als u de maaimessen verwijdert om ze te slijpen of te vervangen, hebt u voor de montage een momentsleutel nodig. Draag stevige handschoenen om uw handen te beschermen.

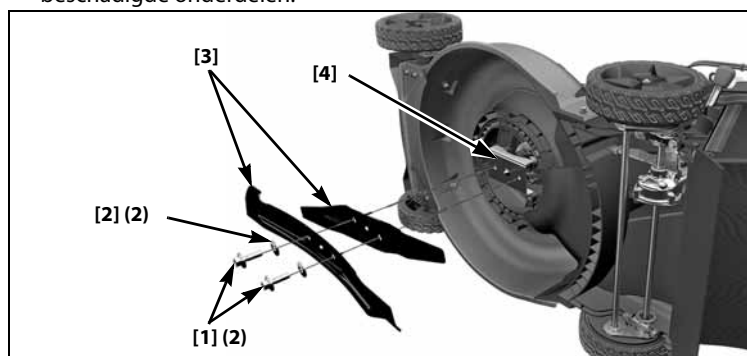


SLIJPEN van de maaimessen: Om te vermijden dat de maaimessen verzwakken, of onbalans of slecht snijden veroorzaken, moeten de maaimessen door getraind personeel bij een erkende Honda-dealer worden geslepen.

VERVANGING van de maaimessen: Gebruik originele vervangingsmaaimessen van Honda of hun equivalent.

Demontage

1. Draai de benzinekraan DICHT en trek de bougiedop van de bougie.
2. Kantel de maaier naar rechts, zodat de tankdop aan de bovenzijde komt. Dit helpt brandstoflekage, het binnensijpelen van motorolie in het luchtfilter en moeilijk starten te voorkomen.
3. Verwijder de mesbevestigingsbouten [1] en de speciale sluitringen [2] met een dopsleutel van 14 mm (6-kant). Draag dikke lederen handschoenen en houd de maaimessen [3] met uw hand vast om te voorkomen dat ze gaan draaien bij het verwijderen van de bouten. Verwijder de maaimessen.
4. Inspecteer de houder van de maaimessen (VKEA) of Roto-Stop assemblage (VYEA) [4] en het montageoppervlak van de maaimessen op beschadiging. Als er schade wordt geconstateerd of als de maaimessen een hard voorwerp hebben geraakt, vervang dan de beschadigde onderdelen.



Installatie

1. Maak de omgeving rond de mesbevestiging vrij van vuil en gras.
2. Monteer beide messen [3] met behulp van de twee mesbevestigingsbouten [1] en speciale sluitringen [2], zoals in de afbeelding is weergegeven. Zorg ervoor dat u de speciale sluitringen aanbrengt met de holle kant naar het maaimes en de bolle kant naar de kop van de bout.

⚠ WAARSCHUWING

Als u bij deze maaier slechts één maaimes monteert, kan dit mes losraken en uit de maaier worden geworpen, wat tot ernstig of zelfs dodelijk letsel kan leiden.

Monteer daarom altijd beide messen als set.

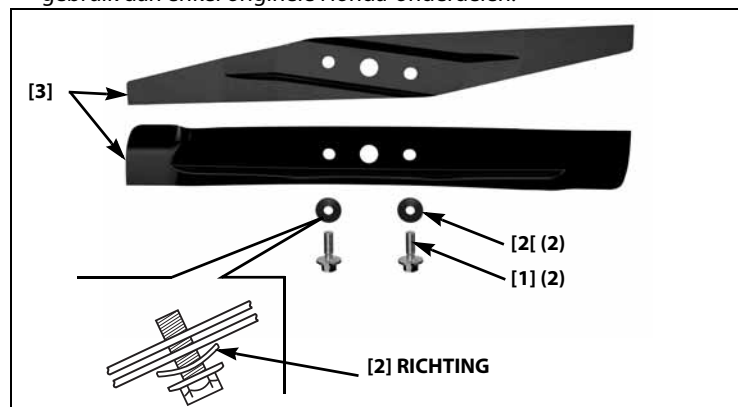
⚠ WAARSCHUWING

Als de mesbevestigingsbouten niet goed zijn aangedraaid, kunnen de maaimessen losraken en uit de maaier worden geslingerd.

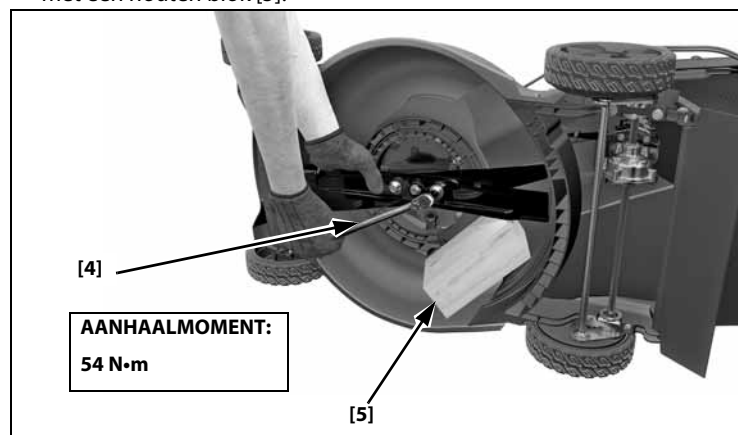
Een maaimes dat door de maaier wordt weggeslingerd, kan iemand ernstig verwonden of doden.

Zorg ervoor dat de mesbevestigingsbouten goed zijn aangedraaid.

De mesbevestigingsbouten en sluitringen zijn speciaal voor deze toepassing ontworpen. Wanneer u de bouten en sluitringen vervangt, gebruik dan enkel originele Honda-onderdelen.



3. Draai de mesbevestigingsbouten vast met een momentsleutel [4]. Blokkeer de messen bij het vastdraaien van de mesbevestigingsbouten met een houten blok [5].



Aanhaalmoment mesbevestigingsbouten: 54 N•m

Als u niet over een momentsleutel beschikt, laat de mesbevestigingsbouten dan vastzetten door uw erkende Honda-dealer voordat u de maaier weer gaat gebruiken. Als de mesbevestigingsbouten te vast zijn aangedraaid, kunnen ze breken. Als de mesbevestigingsbouten niet voldoende zijn aangedraaid, kunnen ze losraken of eruit komen. In beide gevallen is het mogelijk dat de maaimessen worden weggeslingerd terwijl u de maaier bedient.

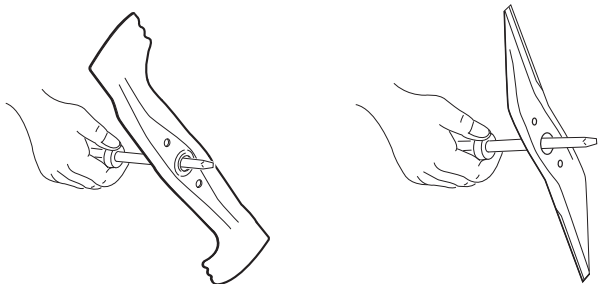
Inspectie van de montagebouten van de maaimessen

Inspecteer de mesbevestigingsbouten op tekenen van beschadiging of loszitten. Indien zij beschadigd zijn, moeten zij worden vervangen.

Als ze los lijken te zitten, moet een momentsleutel worden gebruikt om de mesbevestigingsbouten nauwkeurig aan te draaien tot het vereiste aanhaalmoment. Als u niet over een momentsleutel beschikt, breng uw grasmaaier dan naar een erkende dealer om de bouten te laten vervangen of aan te halen.

Gebruik enkel originele Honda-mesbevestigingsbouten en speciale sluitringen, aangezien die speciaal voor dit doel ontworpen zijn. Nummers van vervangingsonderdelen staan op page 17.

Vervangen van het maaimes



VOORZICHTIG:

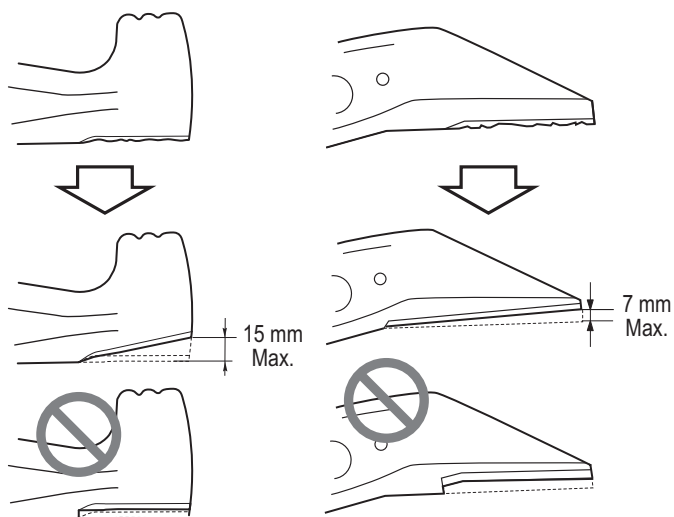
- Voor een goed maairesultaat moet het maaimes in balans zijn. Messen die beschadigd zijn geraakt of niet meer in balans zijn, moeten daarom altijd worden vervangen.
- Vervang versleten messen uitsluitend door originele Honda-vervangingsmessen.

Slijpen van het maaimes

VOORZICHTIG:

- Om verzwakking van de maaimessen te voorkomen, waardoor deze uit balans kunnen raken of het maairesultaat kunnen verslechteren, moeten maaimessen vakkundig worden geslepen bij uw onderhoudsdealer.

- Slijp de snijkanten van het mes met behulp van een vijl. Slijp alleen het bovenste gedeelte. Zorg dat de oorspronkelijke hoek van het snijvlak behouden blijft, zodat een scherp snijvlak ontstaat. Vijl aan beide uiteinden evenveel materiaal af, zodat het mes in balans blijft.
- Controleer na het slijpen met een schroevendraaier of het mes in balans is, zoals in de afbeelding hierboven is weergegeven. Wanneer een van de uiteinden iets naar beneden draait, moet aan die kant nog wat materiaal worden afgevlind. Vervang het maaimes als een van de uiteinden naar beneden kantelt.



REINIGEN EN VERVANGEN VAN DE GRASVANGER

Reiniging

Was de grasvanger met een tuinslang, en laat hem volledig drogen voor gebruik; een natte grasvanger zal snel verstopt raken.

Vervanging

Vervang een versleten of beschadigde grasvanger door een Honda-vervangingsonderdeel of een gelijkwaardig onderdeel.

Inspecteer de sluitringen en boutkoppen op tekenen van loszitten en beschadiging.



CONTROLE VAN DE WERKING VAN DE BEDIENING VAN DE MAAIMESSEN

Alleen type VKEA:

Start de motor buiten. Laat de bedieningshendel van de maaimessen los; de motor moet snel stoppen. Als de motor niet snel stopt, breng de maaier dan voor reparatie naar een erkende Honda-onderhoudsdealer.

ONDERHOUDSSCHEMA

Voer het plan na elke aangegeven maand/jaar of bedrijfsureninterval, afhankelijk van wat het eerst komt, uit.

Onderdeel	Werkzaamheden	Interval					
		Voorelk gebruik	Na eerste maand of 5 uur	Na eerste 25 uur	Elke 6 maanden of 50 uur	Elk jaar of 100 uur	Om de twee jaar of 150 bedrijfsuren uur
Motorolie	Controleren	o					
	Verversen		o		o ¹	o ¹	o ¹
LuchtfILTER	Controleren	o					
	Reinigen			o ¹	o ¹	o ¹	
	Vervangen						o
Bougie	Controleren / Afstellen					o	
	Vervangen						o
Vonkenvanger ³ (indien uitgerust)	Reinigen					o	o
Brandstoftank ²	Reinigen					o	o
Klepspel ²	Instellen					o	o
Brandstoffleidingen ²	Controleren (vervangen indien nodig)	Om de twee jaar					
Grasvanger	Controleren	o					
Maaimessen	Controleren	o					
Werking van de bediening van de maaimessen	Controleren	o				o	o
Achterscherm	Controleren	o					
Mesbevestigingsbouten	Controleren	o					
Smart Drive-kabel ²	Instellen			o	o	o	o
Roto-Stop kabel (VYEA) ²	Instellen			o		o	o
Gaskabel (VYEA) ²	Instellen			o		o	o
Rondsels ²	Smeren					o	o
Lagers van de transmissies ²	Controleren						o

- Onderhoud vaker wanneer de maaier in een stoffige omgeving wordt gebruikt.
- Deze onderdelen dienen onderhouden te worden door een erkende Honda-onderhoudsdealer, tenzij u over het juiste gereedschap beschikt en mechanisch onderlegd bent. Raadpleeg het Honda-werkplaatshandboek voor de onderhoudsprocedures.
- In Europa en in andere landen waar machinerichtlijn 2006/42/EG van kracht is, moet dit onderhoud worden uitgevoerd door uw onderhoudsdealer.

Het niet in acht nemen van dit onderhoudsschema kan leiden tot storingen die niet onder de garantie vallen of tot een vermindering van de prestaties en het niet naleven van de emissievoorschriften.



PROBLEMEN OPLOSSEN

MOTOR START NIET

Mogelijke oorzaak	Oplossing
Benzinekraan DICHT	Draai de benzinekraan OPEN (page 9).
Geen brandstof	Vul brandstof bij (page 7).
Gashendel in verkeerde stand (Alleen VYEA)	Zet de gashendel in de stand SNEL (page 10).
Slechte brandstof; maaier is opgeslagen zonder behandeling/aftappen van de benzine of de tank is bijgevuld met slechte benzine	Vul de tank met nieuwe benzine (page 5).
Bougie defect, vervuild of elektrodenafstand onjuist	Corrigeer de elektrodenafstand of vervang de bougie (page 12).
Bougie nat van brandstof (verzopen motor)	Droog de bougie en plaats deze terug.
Verstopte brandstoffilter, defecte carburateur, defecte ontsteking, kleppen die vastzitten enz.	Breng de maaier naar een erkende Honda-onderhouwdealer of raadpleeg het werkplaatshandboek voor reparatie.

ONVOLDOENDE MOTORVERMOGEN

Mogelijke oorzaak	Oplossing
Gras is te lang om te maaien	Stel grotere maaihogte in (page 7), maai een smallere strook, maai met lagere snelheid of maai het gazon vaker.
Gashendel niet ingesteld op SNEL (Alleen VYEA)	Zet de gashendel op SNEL (page 10).
Maaidek is verstopt	Maak maaidek schoon (page 10).
LuchtfILTER is verstopt	Reinig of vervang het luchtfilterelement
Slechte brandstof; maaier is opgeslagen zonder behandeling/aftappen van de benzine of de tank is bijgevuld met slechte benzine	Vul de tank met nieuwe benzine (page 12).
Verstopte brandstoffilter, defecte carburateur, defecte ontsteking, kleppen die vastzitten enz.	Breng de maaier naar een erkende Honda-onderhouwdealer of raadpleeg het werkplaatshandboek voor reparatie.

TRILLINGEN

Mogelijke oorzaak	Oplossing
Gras en afval dat vastzit onder het maaidek	Maak maaidek schoon (page 10).
Maaimessen los, verbogen, beschadigd of uit balans na onjuist slijpen	Draai loszittende mesbevestigingsbouten vast (page 13). Laat in het geval van verbogen of beschadigd(e) maaimessen de maaier controleren door een erkende Honda-onderhouwdealer.
Mechanische schade, bijvoorbeeld verbogen krukas	Breng de maaier naar een erkende Honda-onderhouwdealer of raadpleeg het werkplaatshandboek voor reparatie.

PROBLEMEN MET MAAIEN EN OPVANGEN

Mogelijke oorzaak	Oplossing
Maaier rijdt te snel voor de conditie van het gazon	Oefen minder druk uit op de Smart Drive-regelaar of duw langzamer.
Hendels voor de maaihogte-instelling ingesteld op verschillende standen	Zet beide hendels op dezelfde maaihogtepositie (page 7).
Grasvanger te vol of verstopt	Leeg de grasvanger. Reinig de grasvanger als deze is verstopt met vuil (page 14).
Maaidek is verstopt	Maak maaidek schoon (page 10).
Maaimessen bot, versleten of beschadigd	Slijp of vervang maaimessen indien nodig (page 13).

OPSLAG

Een goede opslag is essentieel om uw grasmaaier probleemloos te laten werken en er goed uit te laten zien. De volgende stappen helpen de maaier te beschermen tegen roest en corrosie, en zorgen ervoor dat de motor gemakkelijker te starten is wanneer u de grasmaaier weer gebruikt.



REINIGING

Motor

Reinig de motor met de hand, met behulp van een doek en een borstel.

OPMERKING

Met een tuinslang of een hogedrukreiniger kan water in het luchtfILTER worden geperst. Water in het luchtfILTER zal het papieren filter doorweken en kan de carburateur of motorcilinder binnendringen en schade veroorzaken. Water dat in contact komt met een hete motor kan schade veroorzaken. Als de motor heeft gedraaid, laat hem dan ten minste een half uur afkoelen voordat u hem reinigt.

Maaidek

Om een langere levensduur en goede werking van de maaier te waarborgen, dient de onderkant van het maaidek schoon en vrij van maaisel te worden gehouden. Verwijder eventueel grasmaaisel met behulp van een schraper en borstel en reinig de maaier na gebruik grondig voordat u hem opbergt.

Voordat u de onderkant van het maaidek wast, moet u de motor laten afkoelen en ervoor zorgen dat de benzinekraan in de DICHT-stand staat. Trek de bougiedop van de bougie. Zet de maaier op zijn rechterkant, zodat de brandstoftankdop aan de bovenzijde komt. Dit helpt brandstoflekkage en moeilijk starten door verzopen carburateur te voorkomen. Draag stevige handschoenen om uw handen te beschermen tegen de maaimessen.

Grasvanger

Verwijder de zak van de maaier en was hem met een tuinslang of hogedrukreiniger. Laat de zak volledig drogen alvorens hem op te bergen.

Nadat de grasmaaier schoon en droog is, moet u beschadigde lak bijwerken en andere delen die kunnen roesten met een dunne laag olie insmeren.

BRANDSTOF

OPMERKING

Afhankelijk van de regio waar u uw machine gebruikt, kunnen brandstofsamenstellingen snel verslechteren en oxideren. Veroudering en oxidatie van brandstof kan binnen een periode van slechts 30 dagen optreden en kan beschadiging van de carburateur en/of het brandstofsysteem veroorzaken. Neem contact op met uw onderhoudsdealer voor plaatselijke aanbevelingen voor opslag.

Benzine is tijdens opslag onderhevig aan oxidatie en veroudering. Verouderde benzine veroorzaakt moeilijk starten en zorgt voor een gomafzetting die tot verstopping kan leiden in de kleine doorgangen in het brandstofsysteem. Als de benzine in uw maaier tijdens opslag verouderd, moeten de carburateur en andere onderdelen van het brandstofsysteem mogelijk worden gereinigd of worden vervangen.

Hoe lang benzine in uw brandstoftank en carburateur kan blijven zonder functionele problemen te veroorzaken, hangt af van factoren zoals het benzinemengsel, de lokale opslagtemperaturen, en of de brandstoftank gedeeltelijk of volledig is gevuld. Lucht in een gedeeltelijk gevulde brandstoftank versnelt brandstofveroudering. Zeer hoge opslagtemperaturen versnellen brandstofveroudering. Brandstofverouderingsproblemen kunnen binnen een paar maanden optreden, of zelfs eerder als de benzine niet vers was toen de brandstoftank werd gevuld.

Als u een benzine in een opslagtank bewaart om bij te vullen, zorg er dan voor dat deze alleen verse benzine bevat.

Als het langer dan 3 maanden duurt voordat u de brandstof in uw opslagtank gebruikt, raden wij u aan een brandstofstabilisator aan de brandstof toe te voegen wanneer u de opslagtank vult.

Opslag voor een korte termijn (30-90 dagen)

Als uw grasmaaier 30 tot 90 dagen niet wordt gebruikt, raden wij u het volgende aan om brandstofgerelateerde problemen te voorkomen:

1. Voeg brandstofstabilisator toe volgens de instructies van de fabrikant. Wanneer u een brandstofstabilisator toevoegt, vul de brandstoftank dan met verse benzine. Indien de tank slechts gedeeltelijk is gevuld, zal lucht in de tank brandstofveroudering tijdens de opslag bevorderen.
Opmerking:
 - Alle stabilisatoren hebben een houdbaarheidsdatum en hun prestaties zullen na verloop van tijd afnemen.
 - Brandstofstabilisatoren maken verouderde brandstof niet weer bruikbaar.
2. Na toevoeging van een brandstofstabilisator laat u de motor 10 minuten buiten draaien om er zeker van te zijn dat de behandelde benzine de onbehandelde benzine in de carburateur heeft vervangen.
3. Stop de motor en draai de benzinekraan in de stand OFF.
4. Start de motor en laat hem draaien tot hij stopt door een tekort aan brandstof in de vlotterkamer van de carburateur. De gebruiksduur moet minder dan 3 minuten zijn.

Langdurige of seizoensgebonden opslag (meer dan 90 dagen)

Start de motor en laat hem lang genoeg draaien om alle benzine uit het hele brandstofsysteem (inclusief de brandstoftank) te verwijderen. Laat geen benzine langer dan 90 dagen in de motor zitten.

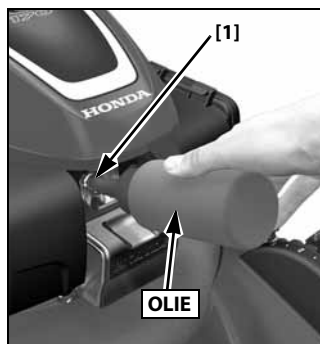
De GARANTIE dekt geen schade aan het brandstofsysteem of problemen met de motorprestaties die het gevolg zijn van een verwaarloosde voorbereiding op de opslag.

MOTOROLIE

Ververs de motorolie (page 12).

MOTORCILINDER

Als de maaier langer dan 3 maanden moet worden opgeslagen, verwijder dan de bougie (page 12). Giet 5 tot 10 cm³ schone motorolie in de cilinder [1]. Trek een paar keer aan de handgreep van de starter om de olie in de cilinder te verdelen. Monteer de bougie weer.



Trek rustig aan de handgreep van de starter tot u weerstand voelt, laat dan de handgreep van de starter voorzichtig terugkeren. Hierdoor worden de kleppen gesloten, zodat er geen vocht in de motorcilinder kan komen.

IN OPSLAG PLAATSEN

Aangezien uw maaier zal worden opgeslagen met benzine in de brandstoftank en de carburateur, is het belangrijk het gevaar van ontsteking door benzinedamp te verminderen. Kies een goed geventileerde opslagplaats uit de buurt van apparaten die met een vlam werken, zoals een oven, een warmwaterboiler of een wasdroger. Vermijd ook elk gebied met een elektrische motor die vonken produceert, of waar elektrisch gereedschap wordt bediend.

Vermijd indien mogelijk opslagplaatsen met een hoge vochtigheidsgraad, want dat bevordert roest en corrosie.

Plaats de maaier met zijn wielen op een horizontaal oppervlak. Het kantelen van het toestel kan brandstof- of olie lekkage veroorzaken. De duwboom kan worden ingeklapt om de machine compact op te bergen, zoals hieronder getoond.

Als de motor en het uitlaatsysteem afgekoeld zijn, moet u de maaier afdekken om stof buiten te houden. Een hete motor en uitlaatsysteem kunnen ontbranden of sommige materialen doen smelten. Gebruik geen plastic zeil als stofhoes. Een niet-poreuze afdekking houdt vocht rond de maaier vast, wat roest en corrosie in de hand werkt.

UIT DE OPSLAG HALEN

Controleer uw maaier zoals beschreven in **VOORBEREIDINGEN EN CONTROLES VOOR GEBRUIK** (page 4).

Als de cilinder tijdens de voorbereiding op de opslag met olie is besmeurd, zal de motor bij het starten kort roken. Dit is normaal.

TRANSPORT

VOOR HET LADEN



Als de motor heeft gedraaid, laat hem dan ten minste 15 minuten afkoelen voordat u de maaier op het transportvoertuig laadt. Een hete motor en uitlaatsysteem kunnen u verbranden en sommige materialen kunnen ontbranden.

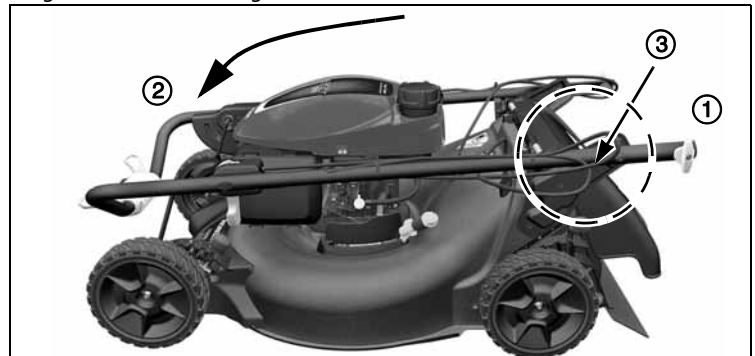
Draai de benzinekraan in de stand OFF (page 9). Dit voorkomt dat de carburateur verzuipt en verkleint de kans op brandstoflekkage.

INVOUWEN VAN DUWBOOM

1. Verwijder de grasvanger. U kunt hem bovenop de motor leggen, met de opening van de zak naar voren.
2. Ondersteun de duwboom en houd hem vast.
3. Ontgrendel de verstelknoppen ① van de duwboom en klap de duwboom naar voren ② in de opbergstand.

OPMERKING

Zorg ervoor dat de bedieningskabels ③ niet beklemd, gekneld of geknikt raken wanneer u de duwboom in de opbergstand omlaag klapt. De kabels of het motorbesturingssysteem kunnen worden raken, waardoor de grasmaaier niet meer goed werkt.



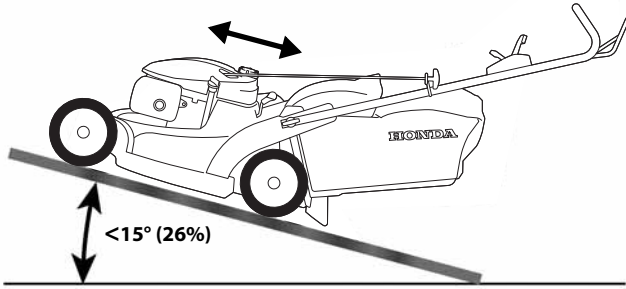
LADEN EN LOSSEN

Plaats de maaier zo dat alle vier de wielen op de laadvloer van het transportvoertuig staan. Bind de maaier vast met een touw of spanbanden, en blokkeer de wielen. Houd het bindtouw of de spanbanden uit de buurt van de bedieningselementen, verstelhendels, kabels en de carburateur.

OPMERKING

Maak bij het laden en lossen van de maaier met behulp van een laadplank nooit gebruik van het aandrijfsysteem: u kunt daarbij gemakkelijk de controle over de maaier verliezen, waardoor de maaier beschadigd kan raken.

1. Draai de benzinekraan in de stand OFF.
2. Gebruik een geschikte laadplank. Zorg bij gebruik van een laadplank dat de hellingshoek niet groter is dan 15° (26%). Indien er geen laadplank beschikbaar is, dienen twee personen de maaier op en van het transportvoertuig te tillen en daarbij de maaier horizontaal te houden.



NUTTIGE INFORMATIE

DEALER ZOEKEN

Raadpleeg page 19.

GANGBARE ONDERDELEN, OPTIONELE TOEBEHOREN EN VERBRUIKSPRODUCTEN

Neem voor de aanschaf van de onderstaande en andere originele onderdelen contact op met een erkende Honda-dealer.

Onderdeel	Onderdeelnummer	Opmerkingen
Luchtfilter	17211-Z8B-901	Papier
Bougie	98079-55846	NGK (merk) BPR5ES
Maaimessen:		Gebruik altijd een bovenste en onderste maaimes als set.
Onderste	72511-VR8-M00	
Bovenste	72531-VR8-M00	
Mesbevestigingsbout (2)	90105-960-710	2 vereist, 10 x 20 mm
Boutring (2)	90502-VG3-000	2 vereist
Wiel/band	44710-VR8-N00	Voor
	42710-VR8-N00	Achter

WAARSCHUWING

De hier vermelde toebehoren zijn specifiek voor het model en type van uw maaier ontworpen. Voor uw eigen veiligheid is de montage van andere toebehoren strikt verboden.



TECHNISCHE GEGEVENS

MODEL	HRN536C1	
TYPE	VKEA	VYEA
OMSCHRIJVINGSCODE	MCHF	
FUNCTIE	Gras maaien	

ALGEMEEN

Afmetingen L x b x h	1.550 x 575 x 1.035 mm	
Drooggewicht	36 kg	40 kg
Maai breedte	530 mm	
Maaihoogte-instellingen	27 mm, 39 mm, 51 mm, 64 mm, 76 mm, 88 mm, 100 mm	
Inhoud grasvanger	70 l	
Geluidsdruk op oorhoogte (overeenkomstig EN ISO5395-2:2013 + A1:2016 + A2:2017)	84,8 dB(A)	85,4 dB(A)
Onzekerheid	1 dB(A)	
Gemeten geluidsvermogen (overeenkomstig richtlijnen 2000/14/EG, 2005/88/EG)	96,68 dB(A)	96,33 dB(A)
Onzekerheid	0,78 dB(A)	0,64 dB(A)
Gewaarborgd geluidsvermogensniveau (richtlijnen 2000/14/EG, 2005/88/EG)	98 dB(A)	
Trillingstest (overeenkomstig EN ISO5395-2:2013 + A1:2016 + A2:2017) *	3,87 m/s ²	5,39 m/s ²
Onzekerheid (EN12096)	0,45 m/s ²	0,63 m/s ²

MOTOR

Model	GCV170A
Type	Viertakt, eencilinder, verticale as
Cilinderinhoud	166 cc
Boring en slag	60 x 59 mm
Koelsysteem	Geforceerde luchtkoeling
Smeersysteem	Spatten en sproeien
Compressieverhouding	8,0:1
Maximaal toerental van de motor	2.950 ⁺⁰ / ₋₁₀₀ min ⁻¹
Nettovermogen **	3,6 kW
Nominaal vermogen	3,2 kW
Ontstekingsysteem	Transistorgestuurde magneetontsteking
Bougie	NGK: BPR5ES
Bougieafstand	0,7 ~ 0,8 mm
Luchtfilter	Droog element type
Aanbevolen brandstof	Loodvrije benzine E10
Inhoud brandstoftank	0,91 l
Aanbevolen motorolie	SAE 5W-30, 10W-30, API SJ of recenter
Vulhoeveelheid motorolie	0,40 l *** Bijvulhoeveelheid: 0,35 ~ 0,40 l
Koolstofdioxide (CO ₂) emissies ****	Raadpleeg voor de CO ₂ -waarden van de Honda-motor www.honda-engines-eu.com/co2

AANDRIJVING

Type	Smart Drive met variabele snelheid
Motor naar transmissie	V-riem
Hoofdkoppeling	Type slipband
Maaiersnelheid	0 ~ 1,7 m/s
Aanbevolen vloeistof	SAE 10W-30, API SN of recenter

* Waarden voor een machine uitgerust met een grasvanger, ingesteld op het opvangen van het gemaaid gras.

** Het nominale vermogen van de motor dat staat vermeld in dit document is het netto geleverd vermogen zoals getest bij een in serie geproduceerde motor van het modeltype GCV170A, gemeten in overeenstemming met SAE J1349 bij 3.600 min^{-1} (nettovermogen). Het vermogen geleverd door massaproductiemotoren kan hiervan afwijken. Het feitelijk geleverd vermogen van de motor die in de machine is ingebouwd, hangt af van een groot aantal verschillende factoren, waaronder het toerental van de motor bij gebruik in de praktijk, de omgevingsomstandigheden, het onderhoud en andere variabelen.

*** De werkelijke hoeveelheid zal variëren omwille van restolie in de motor. Gebruik altijd de peilstok om het werkelijke peil te controleren (zie page 7).

**** Deze meetresultaten voor CO₂ betreffen metingen volgens een vaste testcyclus onder laboratoriumomstandigheden, gedaan op een (basis)motor die representatief is voor het betrokken motortype (de betrokken motorfamilie); zij impliceren of vormen geen enkele garantie voor de prestaties van een bepaalde motor.

INTRODUZIONE

Grazie per avere acquistato un rasaerba con conducente a piedi Honda e per la fiducia accordataci.

Il presente manuale è stato redatto per consentirle di familiarizzare con il rasaerba, in modo da utilizzarlo nelle migliori condizioni possibili e assicurarne la perfetta manutenzione.

Desideriamo che lei possa trarre il massimo vantaggio dalle innovazioni tecnologiche, da nuovi materiali e attrezzature nonché dalla nostra esperienza. A tale scopo i nostri modelli vengono regolarmente migliorati. Pertanto, le specifiche e le informazioni contenute nel presente manuale potranno subire variazioni senza obbligo di preavviso e di aggiornamento.

In caso di problemi, o comunque per qualsiasi domanda riguardo al rasaerba, la invitiamo a contattare il suo fornitore di fiducia o un rivenditore Honda autorizzato.

Le suggeriamo di conservare il presente manuale a portata di mano in modo da poterlo consultare in ogni momento. Qualora lei intenda rivendere il rasaerba, si accerti di fornire all'acquirente anche il manuale.

La invitiamo a leggere la garanzia per prendere visione dei diritti e delle responsabilità dell'utente. La garanzia è costituita da un documento separato fornito dal rivenditore.

È vietata qualsiasi riproduzione, anche parziale, della presente pubblicazione senza previa autorizzazione scritta del produttore.

NORME DI SICUREZZA

A garanzia della sicurezza personale e del comfort di utilizzo, si raccomanda vivamente di leggere per intero il presente manuale.

Prestare attenzione ai seguenti simboli e al loro significato:

AVVERTENZA

Messa in guardia contro rischi di gravi infortuni o di morte in caso di inosservanza delle istruzioni.

ATTENZIONE:

- *Messa in guardia contro eventuali rischi di infortuni o di danneggiamento dei materiali in caso di inosservanza delle istruzioni.*

NOTA: Informazioni o chiarimenti utili.

AVVISO

Se non ci si attiene alle istruzioni, si possono danneggiare il rasaerba, altre proprietà o l'ambiente.

Questi messaggi servono a prevenire danni al rasaerba, ad altre proprietà o all'ambiente.

DESCRIZIONE DEI CODICI UTILIZZATI NEL PRESENTE MANUALE

HRN536C	VKEA	VYEA
Semovente con trasmissione a velocità variabile. ...	•	•
Freno della lama.	•	
Rotostop.		•

NUMERO DI SERIE DEL TELAIO E DEL MOTORE

Registrare i numeri di serie del telaio e del motore (page 3) nello spazio sottostante. Questi numeri saranno necessari per ordinare i ricambi e per le richieste di informazioni tecniche o di garanzia.

Numero di serie del telaio: _____

Numero di serie del motore: _____

Data di acquisto: ____/____/____

Honda France Manufacturing S.A.S. - Pôle 45 - Rue des Châtaigniers
45140 ORMES - FRANCIA - Tutti i diritti riservati

HONDA

MANUALE DELL'UTENTE

(Istruzioni originali)

HRN536C

Rasaerba

con comando a pedale



Assistenza e Supporto



<https://www.hondapps.com/HME/>

INDICE

INTRODUZIONE	1	MANUTENZIONE	11
NORME DI SICUREZZA	1	L'IMPORTANZA DELLA	
DESCRIZIONE DEI CODICI UTILIZZATI		MANUTENZIONE	11
NEL PRESENTE MANUALE	1	SICUREZZA NELLA	
NUMERO DI SERIE DEL TELAIO E DEL		MANUTENZIONE	11
MOTORE	1	MANUTENZIONE DEL FILTRO	
NORME DI SICUREZZA	2	DELL'ARIA	11
ETICHETTE DI SICUREZZA	3	SOSTITUZIONE DELL'OLIO MOTORE ...	12
IDENTIFICAZIONE DELLA		VERIFICA DELLA CANDELA DI	
MACCHINA	3	ACCENSIONE	12
DESCRIZIONE GENERALE	4	MANUTENZIONE DEL PARASCINTILLE	
PREPARAZIONE E VERIFICHE PRIMA		(DOTAZIONE OPZIONALE)	12
DELL'USO	4	RIMOZIONE E INSTALLAZIONE DELLE	
DISIMBALLAGGIO	4	LAME DI TAGLIO	13
MONTAGGIO DEL MANUBRIO	4	PULIZIA E SOSTITUZIONE DEL SACCO DI	
VERIFICA DELLA PROTEZIONE		RACCOLTA	14
POSTERIORE	4	VERIFICA DEL FUNZIONAMENTO DELLE	
VERIFICA DEL SACCO DI RACCOLTA ...	5	LAME DI TAGLIO COMANDO	14
CONTROLLO DEL LIVELLO		PROGRAMMA DI MANUTENZIONE ...	14
CARBURANTE	5	RISOLUZIONE DEI PROBLEMI	15
VERIFICA DELLO STATO DELLA LAMA ...	6	IL MOTORE NON SI AVVIA	15
REGOLAZIONE DELL'ALTEZZA DI		CALO DI POTENZA	15
TAGLIO	6	VIBRAZIONE	15
VERIFICA DEL LIVELLO DELL'OLIO		PROBLEMI DI RASATURA E	
MOTORE	7	RECUPERO	15
SELEZIONE DELLA MODALITÀ DI		STOCCAGGIO	15
TAGLIO	7	PULIZIA	15
AVVIAMENTO E ARRESTO DEL		CARBURANTE	16
MOTORE	8	OLIO MOTORE	16
PRECAUZIONI PER LA RASATURA	8	CILINDRO DEL MOTORE	16
FREQUENZA D'USO	8	MESSA IN STOCCAGGIO	16
AVVIAMENTO DEL MOTORE	8	RIMOZIONE DALLO STOCCAGGIO ...	16
ARRESTO DEL MOTORE	8	TRASPORTO	16
CONSIGLI PER L'USO	8	PRIMA DEL CARICAMENTO	16
UTILIZZO DEL RASAERBA AD ALTA		RIPIEGAMENTO DEL MANUBRIO	16
QUOTA	8	CARICO E SCARICO	17
PRATICHE DI RASATURA SICURE	9	INFORMAZIONI UTILI	17
AZIONAMENTO DEI COMANDI PER LA		RIVENDITORI AUTORIZZATI	17
RASATURA	9	PARTI STANDARD, ACCESSORI	
CONSIGLI PER LA RASATURA	10	OPZIONALI E CONSUMABILI	17
		SPECIFICHE TECNICHE	17

NORME DI SICUREZZA

A garanzia della sicurezza personale e del comfort di utilizzo, si raccomanda vivamente di leggere per intero il presente manuale.

Prestare attenzione ai seguenti simboli e al loro significato:

AVVERTENZA

Messa in guardia contro rischi di gravi infortuni o di morte in caso di inosservanza delle istruzioni.

ATTENZIONE:

- *Messa in guardia contro eventuali rischi di infortuni o di danneggiamento dei materiali in caso di inosservanza delle istruzioni.*

NOTA: Informazioni o chiarimenti utili.



Questo simbolo invita alla prudenza durante determinate operazioni. Consultare le norme di sicurezza nelle pagine seguenti, ai punti indicati nel quadratino.

FORMAZIONE

- A1. Leggere attentamente le istruzioni del presente manuale. Prima di utilizzare il prodotto, acquisire dimestichezza con i comandi e con l'uso corretto. Imparare ad arrestare rapidamente il motore.
- A2. Utilizzare il rasaerba unicamente per lo scopo a cui è destinato, ovvero per il taglio e la raccolta dell'erba del prato. Qualsiasi altro utilizzo potrebbe risultare pericoloso o danneggiare la macchina.
- A3. Non permettere mai l'uso del rasaerba a bambini o a persone che non hanno familiarità con le istruzioni. Potrebbe esistere una normativa locale che fissa un'età minima consentita per l'operatore.
- A4. Non utilizzare il rasaerba quando nelle vicinanze vi sono persone, soprattutto bambini, o animali domestici.
Non utilizzare il rasaerba in caso di stanchezza o malattia, o qualora l'utente abbia ingerito farmaci, alcol o sostanze che possano compromettere i riflessi e la capacità di concentrazione.
Non utilizzare il rasaerba se vi è il rischio di condizioni atmosferiche avverse come ad esempio fulmini o temporale; in tal caso interromperne l'uso.
- A5. Tenere presente che il proprietario o l'utente è responsabile di eventuali incidenti o rischi a danno di terze persone o dei loro beni.
- A6. Non modificare il rasaerba. Tale azione potrebbe causare un incidente nonché danneggiare il rasaerba. La manomissione del motore rende nulla l'approvazione UE del tipo di motore.
 - Non collegare una prolunga al silenziatore.
 - Non modificare il sistema di aspirazione.
 - Non modificare le impostazioni del regolatore.
- A7. La macchina è dotata di dispositivi di sicurezza che non devono mai essere modificati o rimossi, altrimenti la garanzia potrebbe essere invalidata e il produttore esonerato da ogni responsabilità. Prima di utilizzare la macchina, verificare sempre il corretto funzionamento dei dispositivi di sicurezza.

PREPARAZIONE

- B1. Durante l'uso della macchina, indossare scarpe antinfortunistiche robuste e antiscivolo, e pantaloni lunghi. Non usare la macchina a piedi nudi o indossando scarpe aperte.
Evitare di indossare collane, braccialetti o indumenti pendenti con lembi svolazzanti, nastri o cravatte. I capelli lunghi devono essere legati. Indossare sempre cuffie antirumore.
- B2. Ispezionare minuziosamente la zona da tosare e rimuovere qualsiasi oggetto che potrebbe schizzare via dalla macchina (pietre, rami, cavi, ossi e così via).
- B3. **AVVERTENZA** - La benzina è una sostanza altamente infiammabile.
 - Conservare il carburante in appositi recipienti.
 - Fare il pieno di benzina rigorosamente all'aperto, prima di avviare il motore, e non fumare durante questa operazione o mentre si maneggia il carburante.
 - Non togliere mai il tappo del serbatoio carburante, né fare il pieno quando il motore è in funzione o è ancora caldo.
 - Non avviare il motore se si è rovesciata della benzina; allontanare il rasaerba dalla zona in cui si è rovesciato il carburante e fare attenzione a non provocare combustioni finché il carburante non è evaporato e i vapori non si sono dissolti.
 - Chiudere bene il serbatoio e il recipiente stringendo opportunamente i tappi.
 - Prima di capovolgere il rasaerba per eseguire la manutenzione della lama o per vuotare l'olio, eliminare il carburante dal serbatoio.
- B4. Sostituire i silenziatori se difettosi.
- B5. Prima dell'uso, procedere sempre a una verifica generale, in particolare controllare l'aspetto della lama, dei bulloni di fissaggio e del gruppo di taglio per assicurarsi che non siano usurati o danneggiati.
Per mantenere un equilibrio perfetto, sostituire in blocco le parti usurate o danneggiate.

UTILIZZO

- C1. Non azionare il motore in un luogo chiuso in cui i vapori tossici di monossido di carbonio possono accumularsi.
- C2. Tagliare il prato esclusivamente alla luce del giorno o con l'ausilio di una luce artificiale di buona qualità. Rispettare le norme vigenti, che possono variare da una regione all'altra.
- C3. Se vi è il rischio di condizioni atmosferiche avverse, come ad esempio fulmini o temporale, interrompere l'uso del rasaerba.
- C4. Per quanto possibile, evitare di usare la macchina sull'erba bagnata.
- C5. Durante il lavoro, tenere la distanza di sicurezza rispetto alla lama, che è data dalla lunghezza del manubrio.
- C6. Non correre. Non lasciarsi tirare dal rasaerba.
- C7. Se il prato è in pendenza, fare attenzione a dove si mettono i piedi. Tosare i prati in pendenza in senso trasversale, mai salendo o scendendo.
- C8. Tenere presente che l'operatore o l'utente è responsabile di eventuali incidenti o eventi inattesi a danno di terze persone o dei loro beni. L'utente è tenuto a verificare possibili rischi derivanti dal tipo di terreno e ad adottare tutte le precauzioni necessarie per garantire la propria sicurezza e quella degli altri, in particolare su terreni in pendenza, frastagliati, scivolosi o instabili e in prossimità di buche, fossi o cigli.
- C9. Non tosare prati con pendenza superiore a 20° (36%).
- C10. Fare molta attenzione quando si tira il rasaerba verso di sé.
- C11. Arrestare la lama se il rasaerba deve essere inclinato per il trasporto su superfici diverse dal prato e negli spostamenti da un'area da tosare all'altra.
- C12. Non utilizzare mai il rasaerba se le protezioni o i carter sono danneggiati, o in mancanza di dispositivi di sicurezza come il deflettore di scarico e/o il sacco di raccolta.
- C13. Non modificare le impostazioni del regolatore del motore né fare girare il motore oltre il regime normale.
- C14. Prima di avviare il motore, disinnestare la lama (modelli dotati di Rotostop) e la frizione (modelli semoventi).
- C15. Avviare il motore con cautela, seguendo le istruzioni e tenendo i piedi lontani dalla lama.
- C16. Non inclinare il rasaerba all'avvio del motore.
Effettuare la messa in moto su una superficie piana, priva di qualsiasi ostacolo e di erba alta.
- C17. Tenere mani e piedi lontani dalle parti rotanti.
Stare sempre lontano dalla bocca di espulsione quando si avvia il motore.
- C18. Non trasportare o sollevare mai il rasaerba quando il motore è in funzione.
- C19. Arrestare il motore e scollegare il cappuccio della candela nei seguenti casi:
 - Prima di qualsiasi intervento sotto il carter del gruppo di taglio o nel tunnel di espulsione.
 - Prima di procedere a qualsiasi operazione di pulizia, controllo o riparazione del rasaerba.
 - Dopo avere urtato contro un oggetto estraneo. In questo caso ispezionare il rasaerba per controllare se ha subito danni. Prima di riutilizzare la macchina, effettuare le riparazioni necessarie.
 - Se il rasaerba comincia a vibrare in modo anomalo. Ricercare immediatamente la causa delle vibrazioni ed effettuare la riparazione necessaria.
- C20. Arrestare il motore nei seguenti casi:
 - Ogni volta che il rasaerba viene lasciato incustodito.
 - Prima di fare il pieno di carburante.
- C21. Arrestare la lama (modelli dotati di Rotostop) o il motore nei seguenti casi:
 - Al momento del montaggio e dello smontaggio del sacco di raccolta.
 - Prima di regolare l'altezza di taglio.
- C22. Ridurre la velocità prima di arrestare il motore. Chiudere il rubinetto di alimentazione benzina.
- C23. L'uso di accessori diversi da quelli raccomandati nel presente manuale può provocare danni al rasaerba e tali danni non sono coperti dalla garanzia.
- C24. **ATTENZIONE**
I livelli del rumore e delle vibrazioni indicati nel presente manuale rappresentano i valori massimi per l'uso del rasaerba. L'utilizzo di una lama non equilibrata, una velocità di avanzamento eccessiva e la mancanza di manutenzione influiscono notevolmente sulle emissioni acustiche e sulle vibrazioni. È necessario pertanto adottare misure precauzionali per prevenire ogni possibile danno derivante da rumori di elevata intensità e vibrazioni; effettuare regolarmente la manutenzione della macchina, indossare cuffie antirumore. Fare delle pause durante l'uso.

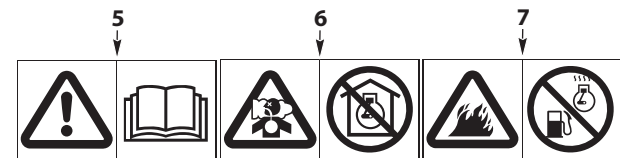
MANUTENZIONE E STOCCAGGIO

- D1. Per garantire condizioni di utilizzo sicure, controllare che dadi, bulloni e viti siano sempre serrati. Una manutenzione costante è fondamentale ai fini della sicurezza e del livello di rendimento.
- D2. Non riporre mai il rasaerba con carburante residuo nel serbatoio in un locale in cui i vapori della benzina potrebbero raggiungere una fiamma, una scintilla o una potente fonte di calore.
- D3. Lasciare raffreddare il motore prima di riporre il rasaerba in qualsiasi locale.
- D4. Per ridurre i rischi di incendio, rimuovere eventuali foglie, fili d'erba e accumuli di grasso dal rasaerba, in particolare dal motore, dal silenziatore e dalla zona di stoccaggio del carburante.
Non lasciare contenitori di resti vegetali all'interno o nelle vicinanze di un locale.
- D5. Se il serbatoio carburante deve essere vuotato, eseguire tale operazione all'esterno e a motore freddo.
- D6. Controllare spesso che il sacco di raccolta non presenti tracce di usura o deterioramento.
- D7. Non utilizzare la macchina se alcune parti risultano danneggiate o usurate. In tal caso le parti devono essere sostituite, non riparate. Utilizzare esclusivamente parti originali Honda.
La lama deve sempre recare il marchio Honda e il numero di matricola. Parti di qualità differente possono danneggiare la macchina e nuocere alla sicurezza dell'utente.
- D8. Indossare guanti spessi durante la rimozione o l'installazione della lama o durante la pulizia del carter coprilama.
Per il serraggio o l'allentamento delle viti della lama, usare uno spessore di legno per impedire la rotazione della lama.
- D9. Accertarsi che la lama sia equilibrata durante l'affilatura della stessa.

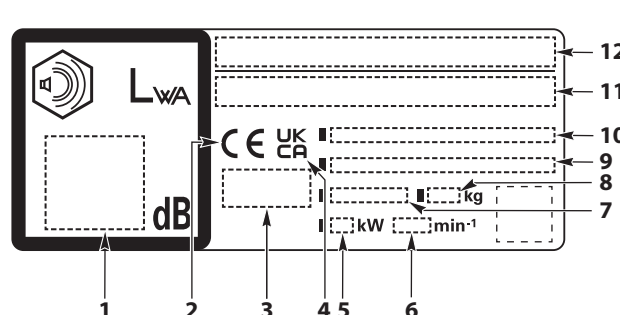
ETICHETTE DI SICUREZZA

Questa etichetta segnala potenziali pericoli che possono comportare lesioni gravi. Leggere attentamente il significato. Se l'etichetta dovesse staccarsi o diventare difficilmente leggibile, rivolgersi al concessionario per la sostituzione.

Lettera	Significato
A	 <ol style="list-style-type: none"> Avvertenza: Prima di utilizzare il rasaerba, leggere il manuale dell'utente. Rischio di proiezioni: tenere lontano terze persone dall'area durante l'uso. Rischio di tagli. Lama rotante: non introdurre mani o piedi all'interno dell'alloggiamento lama. Scollegare il cappuccio della candela prima di effettuare qualsiasi intervento di manutenzione o riparazione. Non utilizzare il rasaerba senza protezione di scarico o sacco di raccolta in posizione.

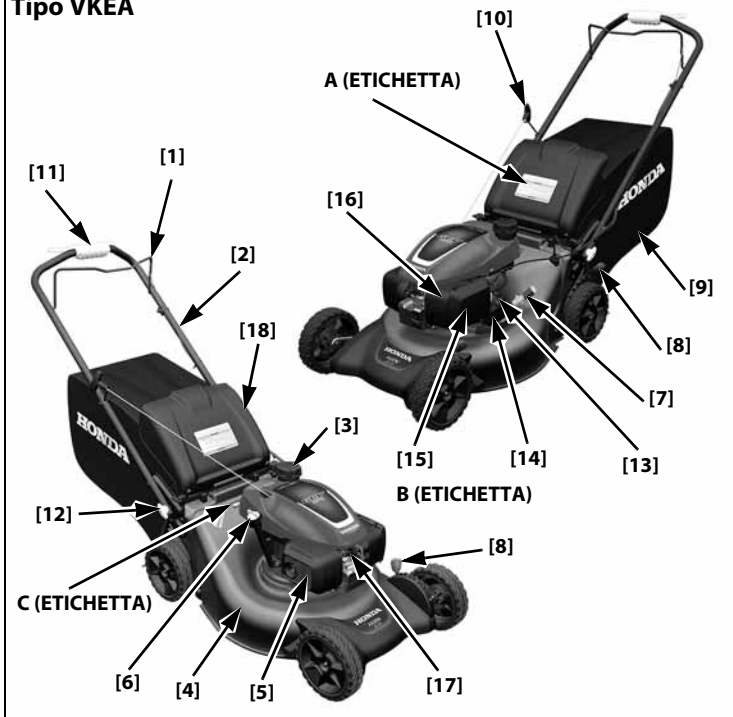
B	 <ol style="list-style-type: none"> Avvertenza: Prima di utilizzare il rasaerba, leggere il manuale dell'utente. Il motore emette monossido di carbonio, un gas tossico. Non azionare in un luogo chiuso. La benzina è una sostanza altamente infiammabile. Spegnerne il motore prima di effettuare il rifornimento.
---	--

IDENTIFICAZIONE DELLA MACCHINA

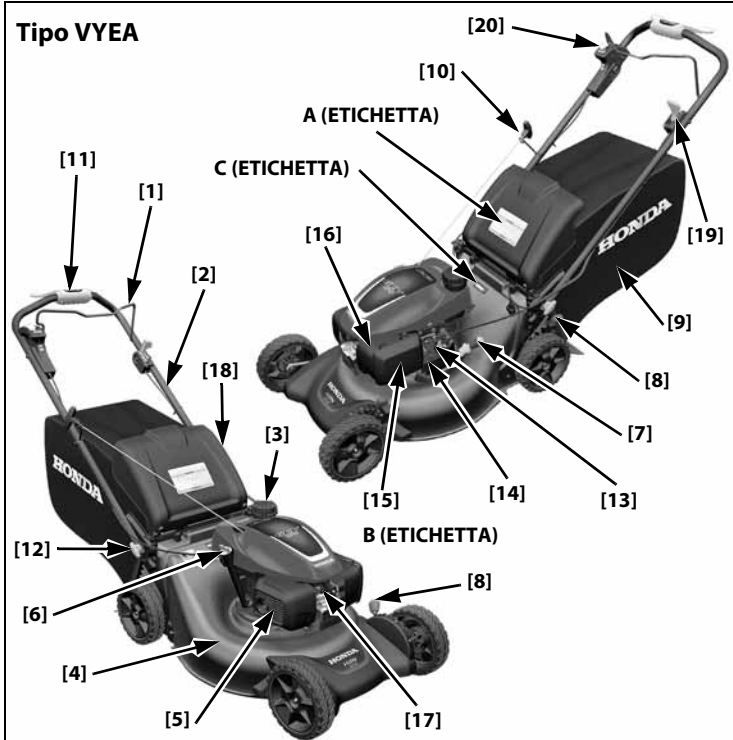
Lettera	Significato
C	 <ol style="list-style-type: none"> Livello di potenza acustica Marcatura CE Marchio di conformità opzionale Marchio valutato di conformità UK (per il Regno Unito) Potenza nominale in chilowatt Velocità di funzionamento del motore consigliata in giri/min⁻¹ Mese e anno di produzione Massa in chilogrammi (a serbatoio vuoto) Numero di serie del telaio (Tipo e numero di serie della Dichiarazione di conformità) Modello - Tipo Nome e indirizzo del rappresentante autorizzato Nome e indirizzo del produttore

DESCRIZIONE GENERALE

Tipo VKEA



Tipo VYEA



1	Leva di comando delle lame di taglio (Avvia e arresta le lame di taglio)	11	Comando Smart Drive
2	Manubrio	12	Manopola di regolazione del manubrio (2)
3	Tappo del serbatoio carburante	13	Rubinetto carburante
4	Coprilama	14	Numero di serie del motore
5	Silenziatore	15	Filtro dell'aria
6	Tappo di riempimento dell'olio	16	Carburatore
7	Manopola Clip Director	17	Tappo della candela di accensione
8	Leva di regolazione dell'altezza di taglio (2)	18	Protezione di scarico
9	Sacco di raccolta	19	Manetta dell'acceleratore (VYEA)
10	Avviamento con autoavvolgente	20	Pulsante Roto-Stop (VYEA)

PREPARAZIONE E VERIFICHE PRIMA DELL'USO

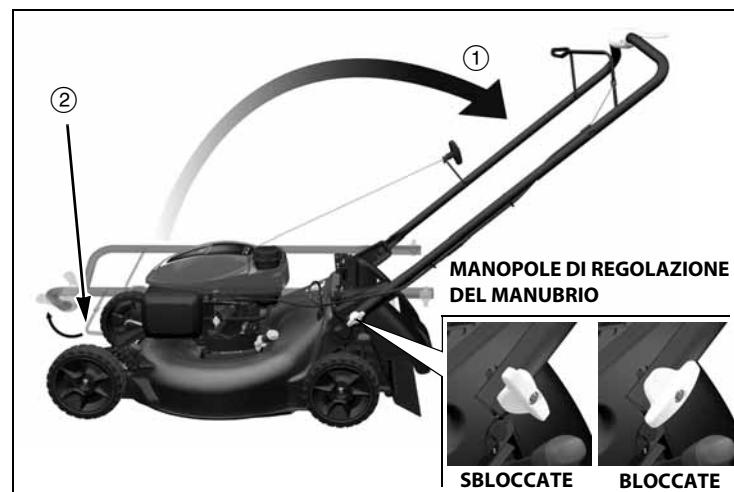


DISIMBALLAGGIO

Rimuova tutto il cartone intorno al manubrio.

MONTAGGIO DEL MANUBRIO

Ruotare le manopole di regolazione del manubrio in posizione di sblocco, quindi sollevare con cautela il manubrio in posizione di rasatura ①. Il tipo VKEA richiede che la leva di comando delle lame di taglio ② venga tirata contro il manubrio.



Allineare le manopole di regolazione con uno dei due fori su ogni tirante del manubrio. Impostando le manopole di regolazione nei fori più bassi, il manubrio viene portato nella posizione più alta.

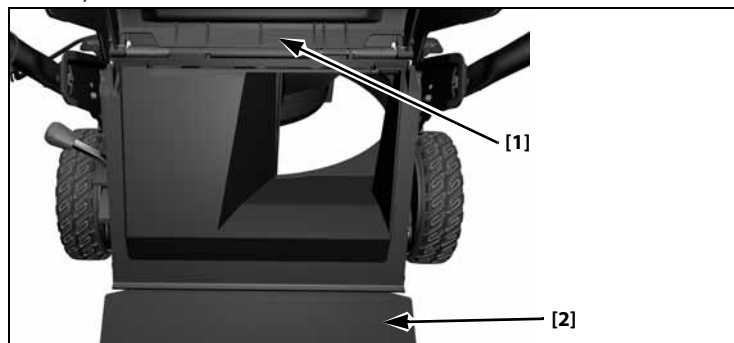
Ruotare le manopole di regolazione del manubrio di 90 gradi in posizione di blocco, assicurandosi che entrambi i lati siano posizionati alla stessa altezza.

AVVISO

Non lasciare che i cavi di comando si impiglino, si schiaccino o si attorciglino durante l'apertura del manubrio. I cavi o il sistema di controllo del motore potrebbero risultare danneggiati.

VERIFICA DELLA PROTEZIONE POSTERIORE

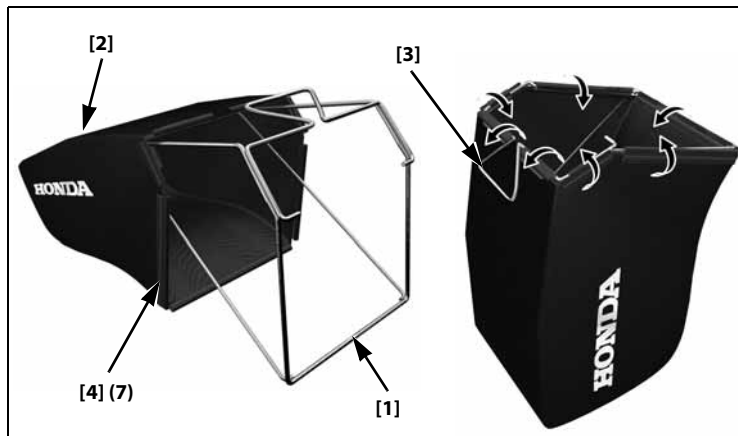
Durante il normale utilizzo, la protezione posteriore è soggetta a deterioramento e usura. Rimuovere il sacco di raccolta e sollevare la protezione di scarico [1] per controllare che la protezione posteriore [2] non sia incrinata o lacerata. Se la protezione posteriore è eccessivamente usurata, farla sostituire da un concessionario autorizzato Honda.



VERIFICA DEL SACCO DI RACCOLTA



1. Installare il telaio assemblato [1] nel sacco di raccolta in tessuto [2], mantenendo esposto il manico del sacco di raccolta [3].
2. Fissare le sette clip in plastica [4] per fissare il sacco di raccolta in tessuto al telaio.



Il rasaerba funziona come un aspirapolvere: soffia aria attraverso il sacco di raccolta, che raccoglie l'erba tagliata. Svuotare sempre il sacco di raccolta prima che si riempia fino al limite della sua capacità. Le prestazioni del sacco di raccolta diminuiscono una volta che quest'ultimo si è riempito per circa il 90%. Inoltre, il sacco di raccolta è più facile da svuotare quando non è pieno.

Ispezione

Durante il normale utilizzo, il materiale del sacco di raccolta è soggetto a deterioramento e usura.

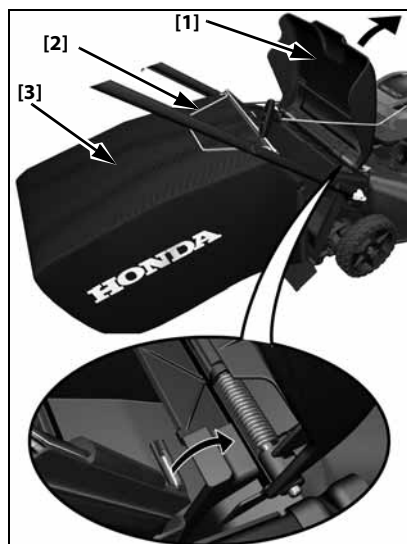
AVVISO

Ispezionare frequentemente il sacco di raccolta per verificare che non presenti strappi, buchi o usura eccessiva. Verificare la necessità di sostituzione. Assicurarsi che il nuovo sacco di raccolta sia conforme alle specifiche originali.

Se il sacco di raccolta deve essere sostituito, è possibile rimuoverlo e installarlo autonomamente (page 14).

Installazione

1. Sollevare la protezione di scarico [1] e utilizzare il manico del sacco di raccolta [2] per agganciare il sacco di raccolta [3] al coprilama come mostrato.
2. Rilasciare la protezione di scarico per fissare il sacco di raccolta.



Rimozione

1. Sollevare la protezione di scarico, afferrare il manico del sacco di raccolta e rimuovere il sacco di raccolta.
2. Rilasciare la protezione di scarico.
3. Quando il sacco di raccolta è privo della protezione di scarico, è possibile sollevarlo attraverso l'apertura del manubrio o rimuoverlo nella parte posteriore del rasaerba, sotto il manubrio.

CONTROLLO DEL LIVELLO CARBURANTE



Questo motore è certificato per funzionare a benzina senza piombo con un numero di ottani pari a 91 o superiore.

Specifiche carburante necessarie per mantenere le prestazioni del sistema di controllo delle emissioni: benzina E10 conforme alle norme dell'Unione Europea.

Si consiglia di effettuare il rifornimento dopo ogni utilizzo per ridurre al minimo l'aria presente nel serbatoio.

Fare rifornimento in un'area ben ventilata prima di avviare il motore. Se il motore è stato in funzione, lasciarlo raffreddare. Mai effettuare il rifornimento di carburante del rasaerba all'interno di un edificio dove i fumi della benzina possono raggiungere fiamme o scintille.

È possibile utilizzare benzina normale senza piombo contenente non più del 10% di etanolo (E10) o del 5% di metanolo in volume. Il metanolo deve inoltre contenere cosolventi e inibitori della corrosione. L'utilizzo di carburanti con un contenuto di etanolo o metanolo superiore a quello sopra riportato può causare problemi di avviamento e/o di prestazioni. Può inoltre danneggiare le parti in metallo, gomma e plastica dell'impianto di alimentazione. L'etanolo è peraltro igroscopico, il che significa che attira e trattiene l'acqua nell'impianto di alimentazione. I danni al motore o i problemi di prestazioni derivanti dall'utilizzo di un carburante con percentuali di etanolo o metanolo superiori a quelle sopra riportate non sono coperti da garanzia. Per mantenere le prestazioni del sistema di controllo delle emissioni è necessario utilizzare il carburante sopra riportato.

Se l'attrezzatura viene utilizzata in modo sporadico o intermittente (più di 4 settimane prima dell'uso successivo), consultare la sezione *Carburante* del capitolo STOCCAGGIO (page 16) per ulteriori informazioni sul deterioramento del carburante.

AVVERTENZA

La benzina è altamente infiammabile ed esplosiva.

Maneggiando il carburante ci si può scottare o ferire gravemente.

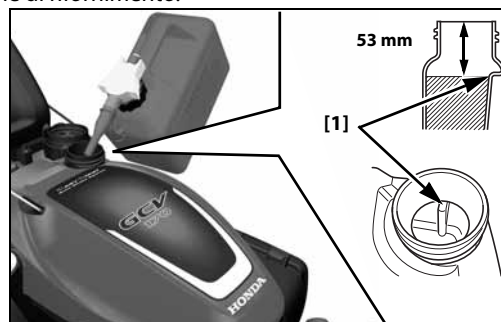
- Spegner il motore e lasciarlo raffreddare.
- Tenere lontano da calore, scintille e fiamme.
- Maneggiare il combustibile solo all'aperto.
- Pulire immediatamente eventuali fuoriuscite.

Mai utilizzare benzina stantia o contaminata o una miscela di olio e benzina. Evitare di introdurre sporcizia o acqua nel serbatoio carburante.

AVVISO

Il carburante può danneggiare la vernice e la plastica. Prestare attenzione a non disperdere il carburante durante il rifornimento del serbatoio. I danni causati dalla fuoriuscita di carburante non sono coperti dalla garanzia.

Rimuovere il tappo del serbatoio e controllare il livello del carburante. Se il livello del carburante è basso, riempire il serbatoio fino al limite superiore [1]. Effettuare il rifornimento prestando attenzione a non disperdere il carburante. Non riempire eccessivamente; non deve esserci carburante nel bocchettone di rifornimento.



Dopo il rifornimento, serrare saldamente il tappo del serbatoio del carburante.

Prima di avviare il motore, allontanare il rasaerba di almeno 3 metri dalla fonte e dal luogo di rifornimento.

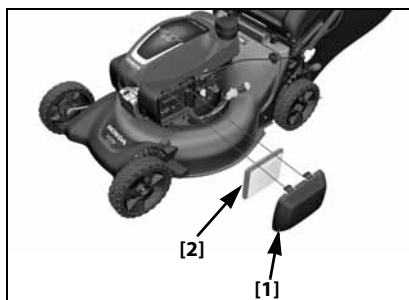
Contenitore di stoccaggio del carburante

Conservare la benzina in un contenitore pulito, in plastica e sigillato, approvato per lo stoccaggio del carburante. Chiudere lo sfiato (se presente) quando non viene utilizzato e conservare il contenitore al riparo dalla luce solare diretta. Qualora siano necessari più di 3 mesi per utilizzare il carburante contenuto nel contenitore, si consiglia di aggiungervi uno stabilizzatore di carburante al momento del riempimento dello stesso.



VERIFICA DEL FILTRO DELL'ARIA

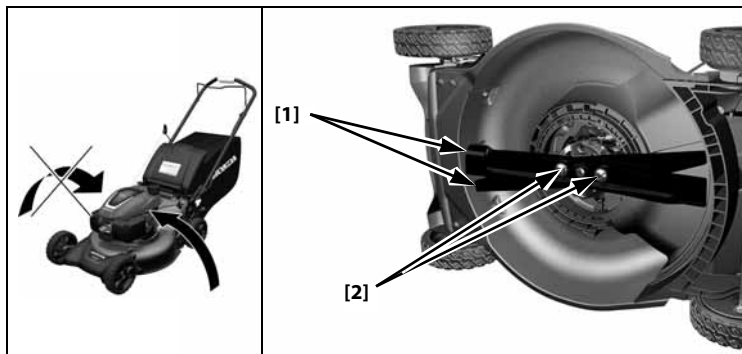
Rimuovere il coperchio [1]. Assicurarsi che il filtro [2] sia pulito e in buone condizioni. Un filtro dell'aria sporco limita il flusso d'aria al carburatore, riducendo le prestazioni del motore. Fare riferimento a page 11 per la manutenzione del filtro dell'aria.



VERIFICA DELLO STATO DELLA LAMA



1. Portare la valvola del carburante in posizione OFF (page 9) e scollegare il tappo della candela di accensione dalla candela (page 12).
2. Inclinare il rasaerba sul lato destro in modo che il tappo del serbatoio carburante sia rivolto verso l'alto. In questo modo è possibile evitare perdite di carburante, infiltrazioni di olio nel filtro dell'aria e difficoltà di avviamento.
3. Ispezionare le lame di taglio [1] e i bulloni delle lame di taglio [2] per verificare che non vi siano danni, crepe, usura eccessiva, ruggine o corrosione.



⚠ AVVERTENZA

Una lama di taglio usurata, incrinata o danneggiata può rompersi e i pezzi della lama danneggiata possono rivelarsi pericolosi proiettili.

Gli oggetti proiettati possono causare gravi lesioni.

Ispezionare regolarmente le lame di taglio e non utilizzare il rasaerba con lame di taglio usurate o danneggiate.

Una lama di taglio consumata può essere affilata, ma una lama usurata, piegata, incrinata o danneggiata in altro modo deve essere sostituita. Una lama di taglio usurata o danneggiata può rompersi, provocando la proiezione di pezzi di lama dal rasaerba.

Qualora sia necessario affilare o sostituire una lama di taglio, portare il rasaerba presso un concessionario autorizzato Honda. In alternativa, se si dispone di una chiave dinamometrica, è possibile rimuovere e installare autonomamente le lame di taglio.

Verificare il serraggio delle viti della lama (page 13).

REGOLAZIONE DELL'ALTEZZA DI TAGLIO



Sul lato sinistro del rasaerba si trovano due leve per la regolazione dell'altezza di taglio. La leva [1] sulla ruota anteriore sinistra regola l'altezza di entrambe le ruote anteriori, mentre la leva [2] sulla ruota posteriore sinistra regola l'altezza di entrambe le ruote posteriori. Entrambe le leve possono essere regolate su una delle sette impostazioni. L'altezza effettiva dell'erba tagliata varia a seconda delle condizioni del prato e del terreno.

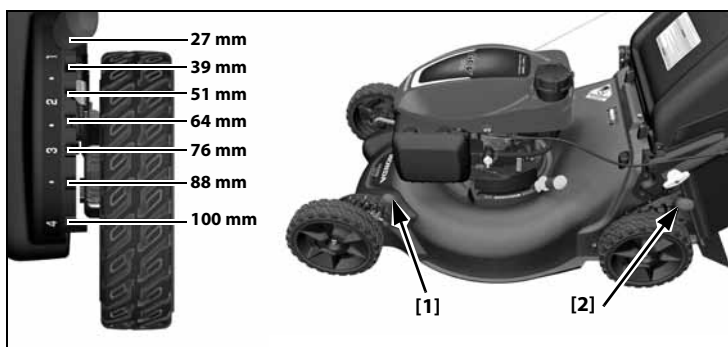
Assicurarsi che il motore non sia in funzione quando si regola l'altezza di taglio.

Portare le leve di regolazione anteriore e posteriore nella stessa posizione, in avanti per l'erba alta e indietro per l'erba bassa.

Controllare le impostazioni dell'altezza di taglio del coprilama e accertarsi che entrambe le leve di regolazione [1] [2] siano impostate sulla stessa posizione dell'altezza di taglio.

Per regolare l'altezza di taglio, spostare prima la leva di regolazione dell'altezza di taglio posteriore. Afferrare il manubrio e sollevare leggermente il rasaerba, quindi tirare la leva di regolazione verso la ruota e portarla all'altezza desiderata. Regolare la leva di regolazione dell'altezza di taglio anteriore in modo che corrisponda all'impostazione dell'altezza posteriore.

Qualora non si sia sicuri dell'altezza di taglio da scegliere, iniziare con un'impostazione alta e verificare l'aspetto del prato dopo aver tagliato una piccola area. Se necessario, regolare l'altezza di taglio.



Consultate un vivaio o un centro di giardinaggio locale per avere consigli sull'altezza di taglio e sui tipi specifici di erba nonché sulle condizioni di crescita della vostra zona.

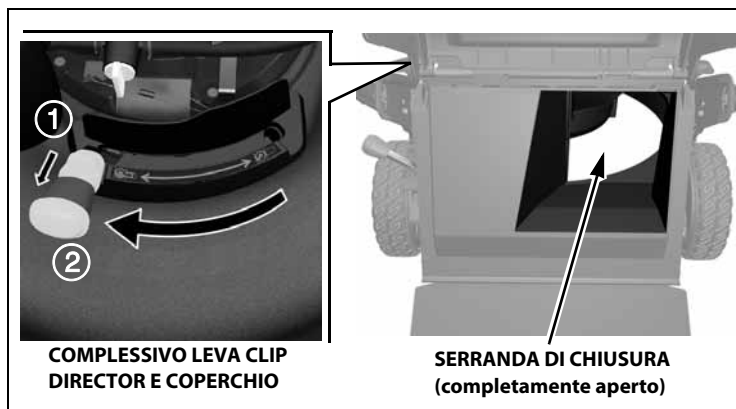
Osservando attentamente, si può constatare che la maggior parte dell'erba presenta steli e foglie. Se si tagliano le foglie, il prato si sfalda. Lasciare che l'erba si riprenda tra una rasatura e l'altra. Il rasaerba funzionerà meglio e il prato avrà un aspetto migliore.

Se l'erba diventa troppo alta, tagliarla una volta all'altezza di taglio più alta, quindi rasarla nuovamente dopo 2 o 3 giorni. Non tagliare più di un terzo dell'altezza totale dell'erba in una sola rasatura, altrimenti potrebbero formarsi delle chiazze marroni.



Scarico posteriore o di raccolta

Rilasciare il blocco ① e spostare la leva Clip Director in posizione CATCH (Pacciamatura) ②.



Per scaricare gli sfalci sulla parte posteriore, rimuovere il sacco di raccolta e lasciare la leva Clip Director in posizione CATCH (Raccolta).



AVVIAMENTO E ARRESTO DEL MOTORE

PRECAUZIONI PER LA RASATURA

Prima di mettere in funzione il rasaerba per la prima volta, leggere attentamente *NORME DI SICUREZZA* (page 2) e *PREPARAZIONE E VERIFICHE PRIMA DELL'USO* (page 4).

Anche se si sono utilizzati altri rasaerba, è bene familiarizzare con il funzionamento di questo rasaerba ed esercitarsi in un'area sicura fino a quando non si è acquisita una certa dimestichezza.

Per motivi di sicurezza, evitare di avviare o far funzionare il motore in un'area chiusa, ad esempio un garage. Lo scarico del rasaerba contiene monossido di carbonio, un gas velenoso che può accumularsi rapidamente in un'area chiusa e provocare malattie o morte.

FREQUENZA D'USO

Se l'attrezzatura viene utilizzata in modo sporadico o intermittente (più di 4 settimane prima dell'uso successivo), consultare la sezione *Carburante* del capitolo *STOCCAGGIO* (page 16) per ulteriori informazioni sul deterioramento del carburante.

AVVIAMENTO DEL MOTORE

1. Ruotare il rubinetto carburante in posizione ON (aperta) (page 9).

Tipo VKEA:

Tirare indietro la leva di comando delle lame di taglio [1] e tenerla premuta contro il manubrio.

Per avviare il motore, la leva deve essere appoggiata al manubrio.

Le lame di taglio iniziano a ruotare quando la leva è appoggiata al manubrio e si tira l'impugnatura di avviamento con autoavvolgente.



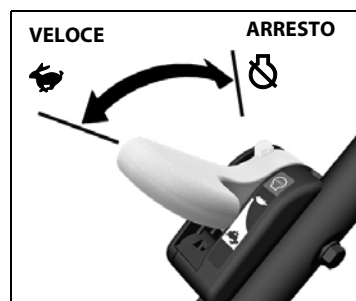
Tipo VYEA:

Portare la manetta dell'acceleratore in posizione FAST (Veloce).

3. Tirare leggermente l'impugnatura di avviamento finché non si avverte una certa resistenza, quindi tirare con decisione. Riportare delicatamente l'impugnatura di avviamento.

Tipo VKEA: Continuare a tenere la leva di comando delle lame di taglio contro il manubrio; il motore si spegne quando si rilascia la leva di comando delle lame di taglio.

Per riavviare facilmente e ottenere prestazioni ottimali con il sistema di starter intelligente, iniziare a tagliare l'erba non appena il motore si avvia e lasciare il motore in funzione per almeno tre minuti prima di arrestarlo.



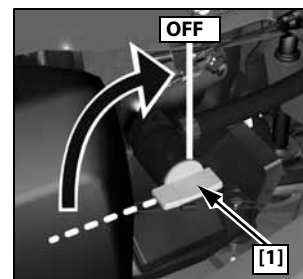
ARRESTO DEL MOTORE

1. **Tipo VKEA:** Rilasciare la leva di comando delle lame di taglio per arrestare il motore e la rotazione delle lame di taglio.

Tipo VYEA: Rilasciare la leva di comando delle lame di taglio per arrestarne la rotazione, quindi portare la leva dell'acceleratore in posizione STOP (Arresto).

2. Quando il rasaerba non è in uso, portare il rubinetto carburante [1] in posizione OFF (chiuso).

3. Se l'attrezzatura non viene utilizzata per 3 o 4 settimane, si consiglia di far funzionare il carburatore del motore a vuoto. È possibile farlo lasciando il rubinetto carburante chiuso, riavviando il motore e facendolo funzionare a vuoto. See "STOCCAGGIO" on page 15 per periodi di inattività superiori a 4 settimane.



CONSIGLI PER L'USO

UTILIZZO DEL RASAERBA AD ALTA QUOTA

Ad alta quota, la miscela aria-carburante del carburatore standard è troppo ricca. Le prestazioni diminuiscono e il consumo di carburante aumenta. Una miscela molto ricca può anche sporcare la candela di accensione e comportare difficoltà di avviamento.

Le prestazioni ad alta quota possono essere migliorate con modifiche specifiche al carburatore. Se si utilizza sempre il rasaerba ad altitudini superiori a 610 metri, far eseguire questa modifica al carburatore da un concessionario Honda autorizzato.

Anche con la modifica del carburatore, la potenza del motore diminuisce di circa il 3,5% per ogni aumento di 300 metri di altitudine. L'effetto dell'altitudine sulla potenza sarà maggiore se non si apporta alcuna modifica al carburatore.

AVVISO

In caso di modifica del carburatore per il funzionamento ad alta quota, la miscela aria-carburante sarà troppo magra per l'utilizzo a bassa quota. Il funzionamento ad altitudini inferiori a 610 metri con un carburatore modificato può comportare il surriscaldamento del motore e gravi danni allo stesso. Per l'utilizzo a basse altitudini, rivolgersi a un concessionario autorizzato Honda per riportare il carburatore alle specifiche originali di fabbrica.

PRATICHE DI RASATURA SICURE

Per motivi di sicurezza, mantenere tutte e quattro le ruote a terra e prestare attenzione a non perdere l'appoggio e il controllo del rasaerba. Mantenere una presa salda sul manubrio e camminare, mai correre, con il rasaerba. Prestare molta attenzione quando si tosa un terreno irregolare o sconnesso.

In caso di blocco, non dare calci o spingere il rasaerba con il piede. Utilizzare il manubrio per controllare il rasaerba.

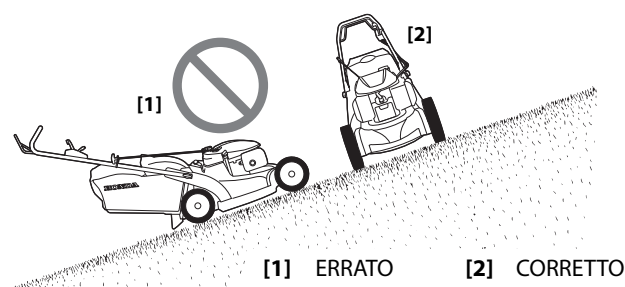
AVVERTENZA

Le lame di taglio sono affilate e ruotano ad alta velocità.

Se si entra in contatto con una lama di taglio rotante, ci si taglia gravemente e si rischia l'amputazione delle dita delle mani e dei piedi.

- Indossare calzature protettive.
- Quando il motore è in funzione, tenere mani e piedi lontani dal coprilama.
- Arrestare il motore prima di eseguire qualsiasi regolazione, ispezione o manutenzione.

Pendii



Tosare in pendenza in senso trasversale, mai salendo o scendendo. Evitare i pendii scoscesi (più di 20° (36%)) e prestare attenzione nei cambi di direzione. La rasatura su un pendio quando l'erba è umida o bagnata potrebbe far scivolare, cadere e perdere il controllo del rasaerba.

Ostacoli

Utilizzare il lato del rasaerba per tagliare vicino a grandi ostacoli, come recinzioni o muri.

Rilasciare il comando Smart Drive per disinnestare la trasmissione quando si taglia intorno ad alberi e altri ostacoli. Spingere il rasaerba intorno agli ostacoli per un migliore controllo della direzione. Prestare attenzione quando si taglia sopra gli ostacoli incastrati nel prato, come le testine degli irrigatori, la pavimentazione, i bordi, ecc. Evitare tutto ciò che sporge dalla superficie del prato.

Se la lama di taglio urta qualcosa o se il rasaerba inizia a vibrare, spegnere immediatamente il motore e verificare che non vi siano danni. Gli oggetti colpiti possono danneggiare le lame di taglio, piegare l'albero motore e/o rompere il coprilama o altri componenti. La vibrazione indica solitamente un problema serio.

AVVERTENZA

Una lama di taglio usurata, incrinata o danneggiata può rompersi e i pezzi della lama danneggiata possono rivelarsi pericolosi proiettili.

Gli oggetti proiettati possono causare gravi lesioni.

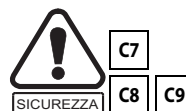
Ispezionare regolarmente le lame di taglio e non utilizzare il rasaerba con lame di taglio usurate o danneggiate.

La garanzia non copre le parti danneggiate da collisione.

Ghiaia e oggetti sfusi

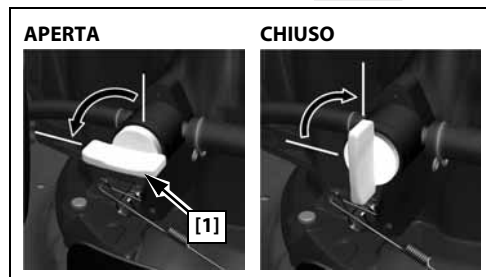
Ghiaia, sassi sfusi e materiale paesaggistico possono essere raccolti dal rasaerba e scagliati via con forza sufficiente a causare gravi lesioni personali e/o danni materiali. Il modo migliore per evitare potenziali lesioni dovute a oggetti scagliati consiste nel rilasciare la leva di comando della lama di taglio per arrestarla prima di raggiungere aree con ghiaia, pietre sfuse o materiale paesaggistico.

AZIONAMENTO DEI COMANDI PER LA RASATURA



Rubinetto carburante

Il rubinetto carburante [1] apre e chiude il collegamento tra il serbatoio e il carburatore.



Sistema di comando della lama di taglio

Tipo VKEA

La leva di comando delle lame di taglio [1] deve essere tirata indietro contro il manubrio per avviare e far funzionare il motore. Le lame di taglio iniziano a ruotare quando si tira la leva contro il manubrio e l'impugnatura di avviamento con autoavvolgente.



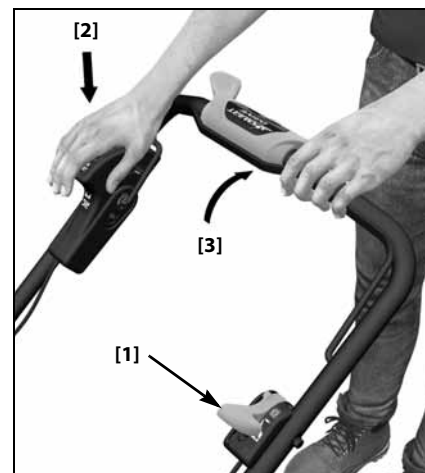
Continuare a tenere le lame di taglio completamente appoggiate al manubrio. In questo modo, il motore e le lame di taglio ruotano senza problemi e si evita l'usura prematura del sistema di comando delle lame di taglio.

Rilasciare la leva di comando delle lame di taglio per spegnere il motore e interrompere la rotazione delle lame di taglio ogni volta che ci si deve allontanare dal rasaerba.

Tipo VYEA

Per avviare la rotazione delle lame di taglio, accertarsi che il motore sia in funzione e che la leva dell'acceleratore [1] sia in posizione FAST (Veloce).

1. Premere e tenere premuto il pulsante Roto-Stop® [2].
2. Tirare rapidamente la leva di comando delle lame di taglio [3] contro il manubrio, consentendo al motore di portare le lame di taglio alla massima velocità. Quindi rilasciare il pulsante Roto-Stop.



Continuare a tenere la leva delle lame di taglio completamente appoggiata al manubrio per mantenere la rotazione delle lame di taglio. La leva di comando delle lame di taglio deve essere sempre completamente innestata o completamente rilasciata. Non innestare parzialmente la leva.

Rilasciare la leva di comando delle lame di taglio per arrestare la rotazione di queste ultime. Rilasciare sempre la leva di comando delle lame di taglio prima di avviare il motore per evitare che le stesse ruotino.

Comando Smart Drive

Con il motore acceso e le lame di taglio in rotazione, spingere lentamente il comando Smart Drive per far avanzare il rasaerba.

La velocità al suolo aumenterà con l'aumentare della pressione esercitata sul comando Smart Drive. Una volta ottenuta la massima velocità al suolo, un'ulteriore pressione non consentirà di aumentarla ulteriormente. Applicare una pressione sufficiente per ottenere la velocità desiderata.

Rilasciare il comando Smart Drive per disinnestare la trasmissione quando si taglia intorno ad alberi e altri ostacoli. Spingere il rasaerba intorno agli ostacoli per un migliore controllo della direzione.

La velocità di avanzamento varia a seconda di fattori quali il terreno, l'altezza dell'erba, la pendenza e il peso del sacco di raccolta. Agendo sul comando Smart Drive è possibile mantenere la velocità al suolo desiderata in condizioni di rasatura sempre diverse.

Rilasciare il comando Smart Drive per disinnestare (arrestare) le ruote posteriori.

Regolazione del comando Smart Drive

Il comando Smart Drive può essere regolato verso l'alto o verso il basso in una delle cinque posizioni disponibili per il comfort dell'operatore.

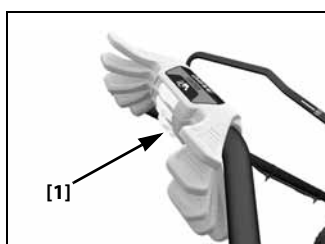
Non tentare di regolare la posizione del comando Smart Drive mentre il rasaerba è in movimento.

Far scorrere il regolatore multiposizione

[1] verso sinistra per sbloccare il comando, spostare il comando Smart Drive verso l'alto o verso il basso nella posizione più comoda, quindi rilasciare il regolatore multiposizione e lasciare che si innesti.



Per evitare l'affaticamento del pollice, tenere il comando Smart Drive come mostrato.

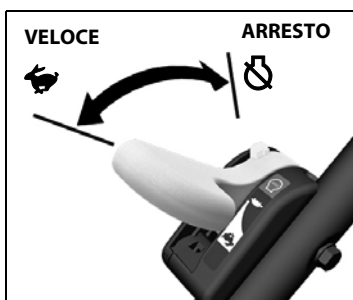


Manetta dell'acceleratore

Tipo VYEA

Per ottenere la migliore qualità del taglio, utilizzare sempre la manetta dell'acceleratore in posizione FAST (Veloce). Quando le lame di taglio ruotano alla velocità prestabilita, creano una forte azione a ventaglio che solleva e taglia l'erba in modo più efficiente.

Non cercare di aumentare la velocità preimpostata del motore FAST (Veloce); le lame di taglio potrebbero rompersi e staccarsi.



CONSIGLI PER LA RASATURA

Quando effettuare la rasatura

La maggior parte dell'erba dovrebbe essere tosata quando è cresciuta di 12 ~ 25 mm oltre l'altezza consigliata.

Per la pacciamatura è necessaria una rasatura più frequente rispetto alla raccolta. Per ottenere risultati ottimali, potrebbe essere necessario tosare il prato due volte a settimana durante la stagione di crescita.

Larghezza di taglio

Per ottenere una finitura uniforme del prato, sovrapporre ogni striscia di rasatura di qualche centimetro. Se l'erba è molto alta o fitta, utilizzare una maggiore sovrapposizione e una fascia di rasatura più stretta.

Velocità delle lame di taglio

Le lame di taglio devono ruotare molto velocemente per tagliare correttamente.

Se la velocità del motore diminuisce, potrebbe significare che il motore è sovraccaricato dalle lame di taglio che cercano di tagliare troppa erba.

Tagliare una fascia più stretta, spostare il rasaerba più lentamente o aumentare l'altezza di taglio.

Affilatura delle lame di taglio

Una lama di taglio affilata taglia in modo netto. Un taglio irregolare strappa l'erba, lasciando le estremità sminuzzate che diventano marroni. Quando le lame di taglio non tagliano più in modo netto, è opportuno affilarle o sostituirle.

Erba secca

Se il terreno è troppo secco, la rasatura solleva molta polvere. Oltre a essere fastidiosa per chi lavora, una quantità eccessiva di polvere intasa il filtro dell'aria del carburatore.

Se la polvere è un problema, innaffiare il prato il giorno prima della rasatura. Tosare quando l'erba è asciutta al tatto, ma il terreno è ancora umido.

Erba umida

L'erba umida è scivolosa e può far perdere l'equilibrio. Inoltre, l'erba tagliata quando umida intaserà il coprilama e si accumulerà in grumi sul prato. Attendere sempre che l'erba umida si asciughi prima di procedere alla rasatura.

Foglie cadute

Se dotato di sacco di raccolta, il rasaerba può essere utilizzato per raccogliere le foglie cadute e smaltirle. Se si utilizza il rasaerba per raccogliere grandi quantità di foglie cadute e non per tagliare, regolare la leva di regolazione dell'altezza di taglio anteriore in modo che la parte anteriore del coprilama sia più alta di una o due posizioni rispetto alla parte posteriore.

In caso di pacciamatura delle foglie cadute nel prato, non lasciare che la copertura fogliare diventi troppo estesa prima di iniziare. Per ottenere risultati ottimali, iniziare la pacciamatura quando l'erba è ancora visibile attraverso la copertura fogliare. Nei punti in cui le foglie cadute coprono completamente l'erba, rimuoverle rastrellando o installare il sacco di raccolta, in modo che il rasaerba possa raccogliercle per smaltirle.

Coprilama intasato

Prima di eliminare un coprilama intasato, arrestare il motore e portare il rubinetto carburante in posizione OFF (chiuso). Con il tappo della candela di accensione scollegato, inclinare il rasaerba in modo che il lato del filtro dell'aria sia rivolto verso l'alto.

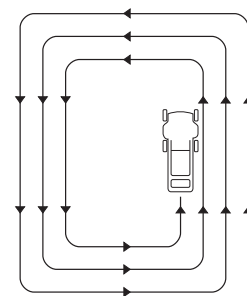
Liberare un coprilama intasato con un bastone, non con le mani.

Schemi di rasatura

Il rasaerba Honda funziona in modo più efficiente se si utilizzano il più possibile i seguenti schemi di rasatura. Il coprilama e il design dell'attrezzatura, nonché la direzione di rotazione delle lame di taglio, fanno sì che questi schemi di rasatura diano i migliori risultati.

Pacciamatura

Utilizzare uno schema di rasatura in senso antiorario quando la leva Clip Director è in posizione MULCH (Pacciamatura). Se il prato ha una forma irregolare o molti ostacoli, dividerlo in sezioni in cui è possibile utilizzare uno schema di rasatura antiorario.



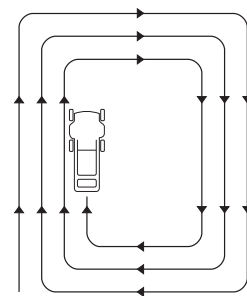
SCHEMA DI PACCIAMATURA

Raccolta

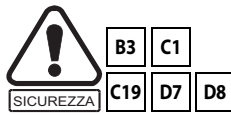
Utilizzare uno schema di rasatura in senso orario. In questo modo si otterranno le migliori prestazioni in termini di Clip Director e di raccolta, lasciando la minor quantità di erba tagliata sul prato.

Rasatura con scarico posteriore

Rimuovere il sacco di raccolta e chiudere la protezione di scarico. Portare la leva Clip Director sull'impostazione CATCH (Raccolta) e iniziare a rasare in senso orario. Se il prato ha una forma irregolare o molti ostacoli, dividerlo in sezioni.

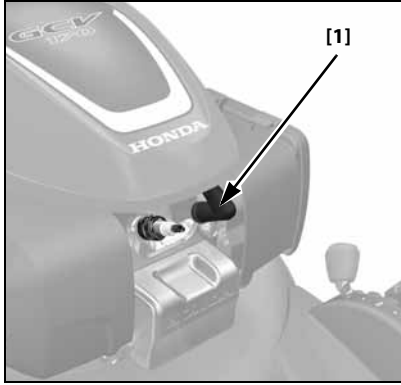


SCHEMA DI RACCOLTA E DI SCARICO POSTERIORE



⚠ AVVERTENZA

Per evitare l'avviamento accidentale del rasaerba, rimuovere il cappuccio della candela di accensione [1] prima di effettuare qualsiasi intervento di manutenzione.



L'IMPORTANZA DELLA MANUTENZIONE

Una buona manutenzione è essenziale per un funzionamento sicuro, economico e senza problemi. Contribuirà inoltre a ridurre l'inquinamento atmosferico e a garantire il rispetto delle prestazioni del motore in termini di emissioni.

Per una corretta manutenzione del rasaerba, le pagine seguenti contengono un programma di manutenzione, procedure di ispezione di routine e semplici procedure di manutenzione con attrezzi manuali di base. Altri interventi di assistenza più difficili o che richiedono attrezzi speciali richiedono l'intervento di professionisti e sono normalmente eseguiti da un tecnico Honda o da un altro meccanico qualificato.

Il programma di manutenzione si applica alle normali condizioni di funzionamento. Se si utilizza il rasaerba in condizioni insolite, rivolgersi a un concessionario Honda autorizzato per ottenere le raccomandazioni necessarie alle proprie esigenze e al proprio utilizzo.

Ricordarsi che il proprio concessionario conosce meglio il rasaerba ed è perfettamente attrezzato per la manutenzione e la riparazione.

Per garantire la migliore qualità e affidabilità, utilizzare solo ricambi originali Honda nuovi o equivalenti per le riparazioni e le sostituzioni.

⚠ AVVERTENZA

Una manutenzione inadeguata o la mancata correzione di un problema prima del funzionamento possono causare un malfunzionamento che può provocare lesioni gravi o morte.

Seguire sempre le raccomandazioni e i programmi di ispezione e manutenzione riportati nel presente manuale dell'utente.

SICUREZZA NELLA MANUTENZIONE

Seguono alcune delle precauzioni di sicurezza più importanti. Tuttavia, non possiamo mettere in guardia da tutti i possibili rischi che possono insorgere durante l'esecuzione della manutenzione. La decisione di eseguire o meno un determinato compito spetta solo all'utente.

⚠ AVVERTENZA

La mancata osservanza delle istruzioni e delle precauzioni di manutenzione può causare gravi lesioni o morte.

Seguire sempre le procedure e le precauzioni riportate nel presente manuale dell'utente.

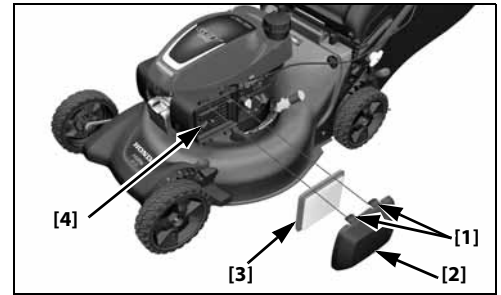
MANUTENZIONE DEL FILTRO DELL'ARIA

Un filtro dell'aria correttamente mantenuto aiuta a prevenire l'ingresso di sporizia nel motore. Lo sporco che entra nel carburatore può essere trascinato nei piccoli passaggi del carburatore e causare un'usura prematura del motore. Questi piccoli passaggi possono ostruirsi, causando problemi di avviamento o di funzionamento. Si raccomanda di utilizzare sempre un filtro dell'aria originale Honda specificato per il motore, per garantire la tenuta e le prestazioni previste. È necessario pulire il filtro più frequentemente se il motore viene utilizzato in condizioni di intensa polvere.

AVVISO

Il funzionamento del motore senza filtro dell'aria o con un filtro danneggiato consente l'ingresso di sporizia nel motore, causandone una rapida usura. Questo tipo di danno non è coperto dalla garanzia.

1. Premere le linguette del coperchio del filtro dell'aria [1], quindi rimuovere il coperchio [2].
2. Rimuovere il filtro [3] dall'alloggiamento del filtro dell'aria [4].
3. Ispezionare il filtro; sostituirlo se danneggiato.
4. Pulire il filtro battendolo più volte su una superficie dura per rimuovere la sporizia, oppure soffiare aria compressa (non superiore a 2 bar/29 psi) attraverso il filtro dall'interno. Non cercare mai di spazzolare via lo sporco; la spazzolatura costringe lo sporco a penetrare nelle fibre.
5. Pulire la sporizia dall'interno dell'alloggiamento e del coperchio del filtro dell'aria, utilizzando uno straccio umido. Prestare attenzione affinché la sporizia non penetri nel condotto dell'aria collegato al carburatore.
6. Reinstallare il filtro e il coperchio.



SOSTITUZIONE DELL'OLIO MOTORE

Scaricare l'olio quando il motore è caldo. L'olio caldo si scarica rapidamente e completamente.



1. Disattivare la valvola del carburante. In tal modo si riduce il rischio di fuoriuscita di carburante (page 9).
2. Pulire l'area di riempimento dell'olio, quindi rimuovere il tappo di riempimento dell'olio/l'astina di livello.

3. Collocare un recipiente idoneo accanto al rasaerba per raccogliere l'olio esausto, quindi inclinare il rasaerba sul fianco destro. L'olio esausto viene scaricato attraverso il bocchettone di riempimento. Attendere lo svuotamento completo dell'olio.



Smaltire l'olio motore usato e i relativi contenitori in modo compatibile con l'ambiente.

Si consiglia di portarlo in un contenitore sigillato al centro di riciclaggio o alla stazione di servizio locale per il recupero. Non gettarlo nella spazzatura, non versarlo a terra e non versarlo in uno scarico.

4. Effettuare il rifornimento utilizzando l'olio consigliato (page 7).

Quantità di rabbocco:

0,35~0,40 L

Non riempire eccessivamente. Misurare il livello dell'olio come indicato di seguito.



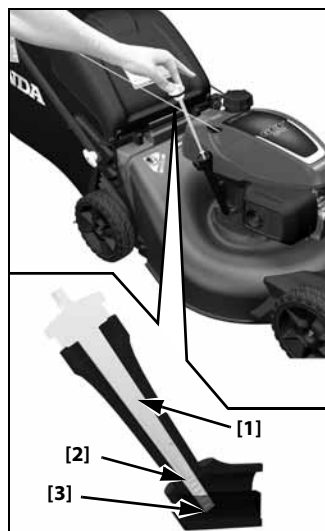
5. Dopo avere sostituito l'olio e prima di avviare il motore, verificare il livello dell'olio posizionando il rasaerba su una superficie piana:

- a. Rimuovere il tappo di riempimento/l'astina di livello [1].

- b. Pulire l'astina di livello.

- c. Inserire e rimuovere l'astina di livello senza avvitare nel bocchettone di riempimento. Controllare il livello dell'olio indicato sull'astina di livello.

- d. Se il livello dell'olio è inferiore al riferimento di livello basso [3], aggiungere olio per raggiungere il riferimento di limite alto [2] sull'astina di livello. Non riempire eccessivamente. Se il motore viene riempito eccessivamente, l'olio in eccesso potrebbe trasferirsi all'alloggiamento del filtro dell'aria e al filtro stesso.



AVVISO

Il funzionamento del motore con un livello di olio basso può comportare danni al motore.

- e. Avvitare saldamente il tappo di rifornimento/l'asta di livello.

VERIFICA DELLA CANDELA DI ACCENSIONE

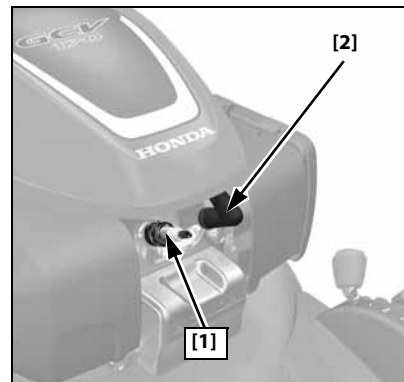
Candele di accensione necessarie: NGK - BPR5ES

AVVISO

Le candele di accensione non corrette possono causare danni al motore.

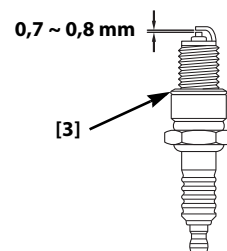
Per ottenere buone prestazioni, la candela di accensione [1] deve essere correttamente smaltita e priva di depositi.

1. Scollegare il tappo della candela di accensione [2] e rimuovere la sporcizia dalla zona della candela di accensione.



2. Rimuovere la candela di accensione con una chiave per candele.

3. Esaminare attentamente la candela. Sostituirla se gli elettrodi sono usurati o se l'isolante è rotto o incrinato.



4. Misurare la distanza tra gli elettrodi della candela di accensione con un calibro adatto. La distanza dovrebbe essere di 0,7 ~ 0,8 mm. Se necessario, correggere la distanza piegando con attenzione l'elettrodo laterale.

5. Montare la candela di accensione con cura, manualmente, per evitare l'errato allineamento dei filetti.

6. Dopo avere montato la candela, avvitarela mediante l'apposita chiave per comprimere la rondella.

In caso di rimontaggio della candela precedente, avvitare di 1/8 o di 1/4 di giro dopo il montaggio.

Se viene installata una candela nuova, avvitare di 1/2 giro dopo avere inserito la candela in posizione per comprimere la rondella [3].

COPPIA: 20 N•m

AVVISO

Una candela di accensione non correttamente avvitata può surriscaldarsi e danneggiare il motore. Il surriscaldamento della candela di accensione può danneggiare i filetti nella testa del cilindro.

7. Installare il tappo della candela di accensione sulla candela.

MANUTENZIONE DEL PARASCINTILLE (DOTAZIONE OPZIONALE)

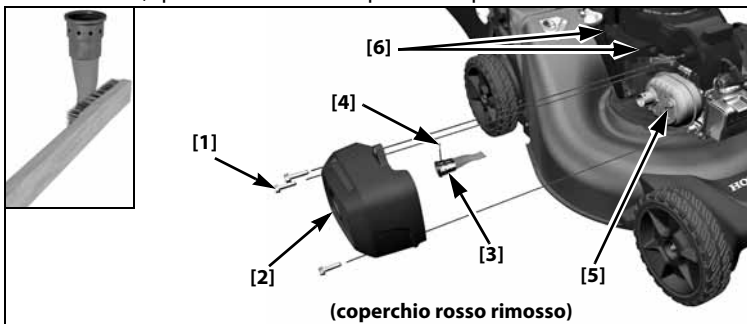


In Europa e negli altri paesi in cui vige la direttiva 2006/42/CE relativa alle macchine, questa pulizia deve essere effettuata da un centro assistenza autorizzato.

Il parascintille deve essere sottoposto a manutenzione ogni 100 ore per preservarne il corretto funzionamento.

1. Lasciare raffreddare il motore.
2. Sganciare le due linguette rosse del coperchio superiore [6] sul lato marmitta del motore, quindi sollevare leggermente il coperchio superiore rosso per esporre il bullone superiore della protezione della marmitta.
3. Rimuovere i tre bulloni [1] dalla protezione della marmitta [2] con una chiave a bussola da 10 mm.
4. Rimuovere la protezione della marmitta [2].
5. Rimuovere la vite di fermo [4].
6. Rimuovere il parascintille [3] dalla marmitta [5].
7. Verificare la presenza di depositi carboniosi sul parascintille e sulla porta di scarico. Spazzolare via i depositi carboniosi. Fare attenzione a non danneggiare lo schermo del parascintille.
8. Installare il parascintille nella marmitta.

9. Installare la protezione della marmitta sul motore, serrare saldamente i tre bulloni, quindi rimontare il coperchio superiore rosso.



RIMOZIONE E INSTALLAZIONE DELLE LAME DI TAGLIO

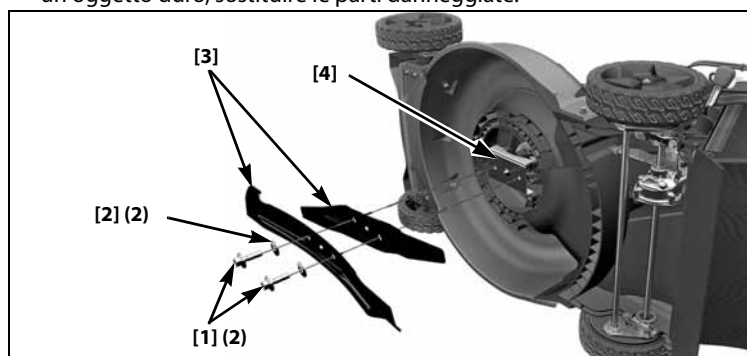
Qualora si rimuovano le lame di taglio per l'affilatura o la sostituzione, è necessario utilizzare una chiave dinamometrica per l'installazione. Indossare guanti pesanti per proteggere le mani.

AFFILATURA DELLE LAME DI TAGLIO: Per evitare di indebolire le lame di taglio o di causare squilibri o tagli insufficienti, le lame di taglio devono essere affilate da personale qualificato presso un concessionario autorizzato Honda.

SOSTITUZIONE DELLE LAME DI TAGLIO: Utilizzare lame di taglio di ricambio originali Honda o equivalenti.

Rimozione

1. Disattivare il rubinetto carburante e scollegare il tappo della candela di accensione.
2. Inclinare il rasaerba sul lato destro in modo che il tappo del serbatoio carburante sia rivolto verso l'alto. In questo modo è possibile evitare perdite di carburante, infiltrazioni di olio nel filtro dell'aria e difficoltà di avviamento.
3. Rimuovere i bulloni delle lame di taglio [1] e le rondelle speciali [2] con una chiave a bussola da 14 mm (6 punti). Indossare guanti di pelle spessi e tenere le lame di taglio [3] con la mano per evitare che ruotino durante la rimozione dei bulloni. Rimuovere le lame di taglio.
4. Ispezionare il coprilama (VKEA) o il complessivo Roto-Stop (VYEA) [4] e la superficie di montaggio del coprilama per verificare che non siano danneggiati. Se si riscontrano danni o se le lame di taglio hanno urtato un oggetto duro, sostituire le parti danneggiate.



Installazione

1. Rimuovere la sporcizia e l'erba dalla zona di montaggio della lama.
2. Montare le lame di taglio [3] utilizzando i due bulloni [1] e le rondelle speciali [2], come mostrato in figura. Assicurarsi di installare le rondelle speciali con il lato concavo verso le lame di taglio e il lato convesso verso la testa del bullone.

AVVERTENZA

L'utilizzo del rasaerba con una sola lama provoca l'errato posizionamento della lama, che potrebbe staccarsi con il rischio di lesioni gravi o morte.

Montare sempre entrambe le lame.

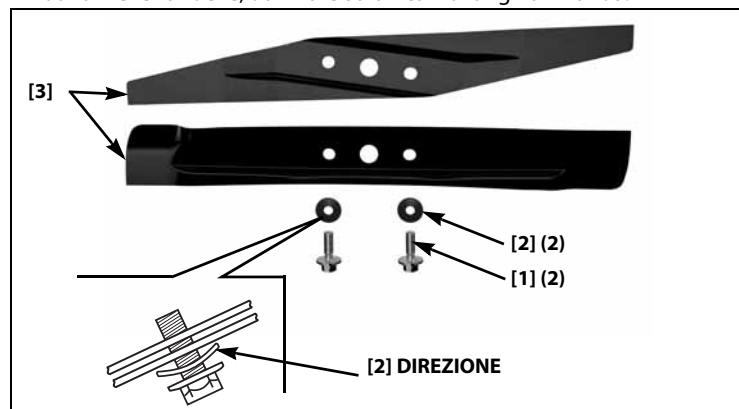
AVVERTENZA

Se i bulloni delle lame di taglio non sono serrati correttamente, le lame di taglio potrebbero allentarsi ed essere scagliate fuori dal rasaerba.

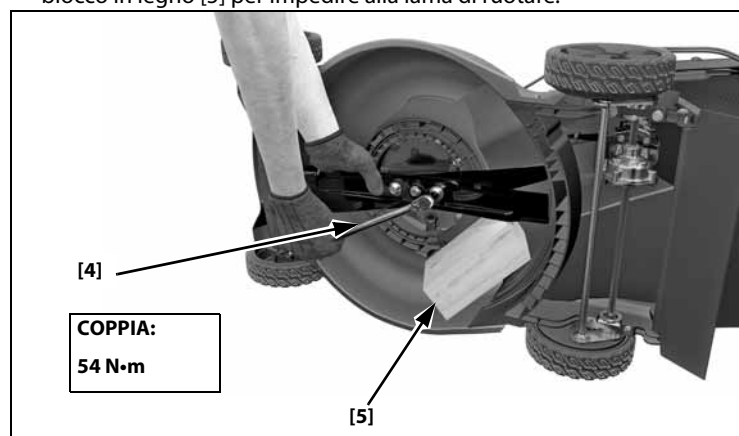
I pezzi di taglio scagliati dal rasaerba possono ferire gravemente o uccidere qualcuno.

Assicurarsi che i bulloni delle lame di taglio siano serrati correttamente.

I bulloni e le rondelle delle lame di taglio sono stati progettati appositamente per questa applicazione. Quando si sostituiscono i bulloni e le rondelle, utilizzare solo ricambi originali Honda.



3. Serrare i bulloni della lama con una chiave dinamometrica [4]. Usare un blocco in legno [5] per impedire alla lama di ruotare.



Forza di serraggio del bullone: 54 N·m

In mancanza di chiave dinamometrica, chiedere a un concessionario Honda autorizzato di eseguire il corretto serraggio dei bulloni della lama prima di utilizzare il rasaerba. Se i bulloni delle lame di taglio vengono serrati eccessivamente, potrebbero rompersi. Se i bulloni delle lame di taglio non sono serrati a sufficienza, potrebbero allentarsi o uscire. In entrambi i casi, è possibile che le lame di taglio si stacchino durante il funzionamento del rasaerba.

Ispezione dei bulloni di montaggio delle lame di taglio

Controllare che le lame di taglio non presentino segni di danneggiamento o di allentamento. Se sono danneggiate, devono essere sostituite.

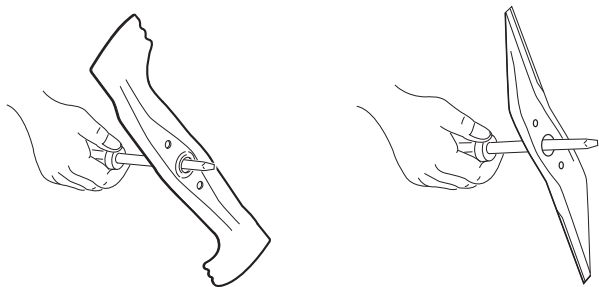
Se appaiono allentate, è necessario utilizzare una chiave dinamometrica per serrare accuratamente i bulloni delle lame di taglio alla coppia richiesta. Se non si dispone di una chiave dinamometrica, portare il rasaerba presso un concessionario autorizzato per far sostituire o serrare i bulloni.

Utilizzare solo bulloni e rondelle speciali originali Honda, poiché sono stati progettati specificamente per questo scopo. I numeri dei pezzi di ricambio sono riportati a page 17.

Ispezionare le rondelle e le teste dei bulloni per verificare che non siano allentate e danneggiate.



Sostituzione della lama



ATTENZIONE:

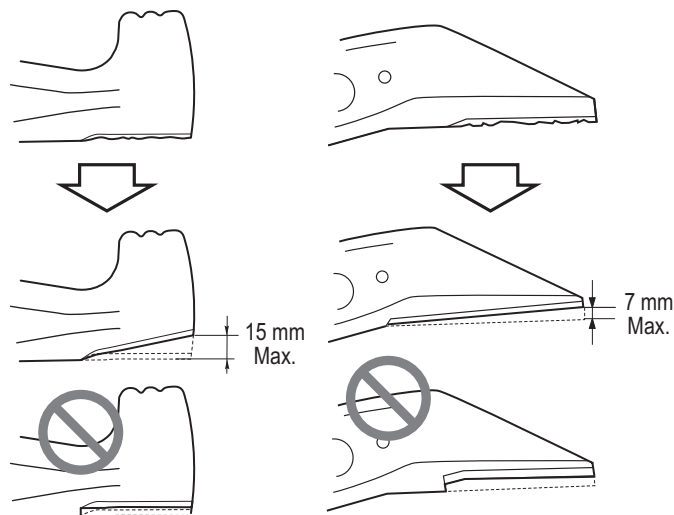
- Per ottenere la massima efficienza di taglio è indispensabile che la lama sia correttamente bilanciata. Sarà quindi tassativo sostituire ogni lama danneggiata o svergolata.
- Utilizzare esclusivamente lame di ricambio originali Honda.

Affilatura della lama

ATTENZIONE:

- Per evitare un indebolimento della lama tale da provocarne lo sbilanciamento o un taglio di cattiva qualità, affidare l'affilatura della lama esclusivamente al personale competente di un centro assistenza autorizzato.

- Affilare il profilo di taglio della lama con una lima. Affilare soltanto il lato superiore. Mantenere il profilo della smussatura originale per una finitura di taglio ottimale. Affilare uniformemente entrambi i bordi della lama per mantenere la bilanciatura corretta.
- Dopo l'affilatura, verificare la bilanciatura della lama mediante un cacciavite, come illustrato sopra. Se un lato risulta leggermente più basso della linea orizzontale, limare tale lato. Sostituire la lama se è eccessivamente sbilanciata.



PULIZIA E SOSTITUZIONE DEL SACCO DI RACCOLTA

Pulizia

Lavare il sacco di raccolta con un flessibile da giardino e lasciarlo asciugare completamente prima di utilizzarlo; un sacco di raccolta umido si intascherà rapidamente.

Sostituzione

Sostituire il sacco di raccolta usurato o danneggiato con un pezzo di ricambio Honda o equivalente.



VERIFICA DEL FUNZIONAMENTO DELLE LAME DI TAGLIO COMANDO

Solo tipo VKEA:

Avviare il motore all'aperto. Rilasciare la leva di comando delle lame di taglio; il motore dovrebbe arrestarsi rapidamente. Se il motore non si arresta rapidamente, portare il rasaerba presso un concessionario autorizzato Honda per la riparazione.

PROGRAMMA DI MANUTENZIONE

Eseguire ogni mese/anno o intervallo di ore di funzionamento indicato, a seconda di quale sia il primo.

Elemento	Intervento	Periodicità					
		Prima di ogni utilizzo	Primo mese o 5 ore	Prime 25 ore	Ogni 6 mesi o 50 ore	Ogni anno o 100 ore	Ogni 2 anni o 150 ore di funzionamento
Olio motore	Verificare	o					
	Sostituire		o		o ¹	o ¹	o ¹
Filtro dell'aria	Verificare	o					
	Pulire			o ¹	o ¹	o ¹	
Candela di accensione	Verificare / Regolare					o	
	Sostituire						o
Parascintille ³ (se in dotazione)	Pulire					o	o
Serbatoio carburante ²	Pulire					o	o
Gioco valvole ²	Regolare					o	o
Tubi carburante ²	Verificare (sostituire se necessario)	Ogni 2 anni					
Sacco di raccolta	Verificare	o					
Lame di taglio	Verificare	o					
Funzionamento del comando delle lame di taglio	Verificare	o				o	o
Protezione posteriore	Verificare	o					
Bulloni lame di taglio	Verificare	o					
Cavo Smart Drive ²	Regolare			o	o	o	o
Cavo Roto-Stop (VYEA) ²	Regolare			o		o	o
Manetta dell'acceleratore (VYEA) ²	Regolare			o		o	o
Ingranaggi del pignone ²	Ingrassare					o	o
Cuscinetti dell'asse della trasmissione ²	Verificare						o

- Eseguire la manutenzione più frequentemente se si utilizza in aree polverose.
- La manutenzione di questi elementi deve essere eseguita da un concessionario autorizzato Honda, a meno che non si disponga degli strumenti adeguati e si abbia una buona conoscenza della meccanica. Per le procedure di assistenza, consultare il manuale d'officina Honda.
- In Europa e negli altri paesi in cui vige la direttiva 2006/42/CE relativa alle macchine, questa pulizia deve essere effettuata da un centro assistenza autorizzato.

L'inosservanza di questo programma di manutenzione potrebbe causare guasti non garantiti o una riduzione delle prestazioni e la non conformità delle emissioni.

RISOLUZIONE DEI PROBLEMI

IL MOTORE NON SI AVVIA

Possibile causa	Rimedio
Rubinetto carburante in posizione OFF (chiuso)	Portare il rubinetto carburante su ON (aperto) (page 9).
Mancanza di carburante	Effettuare il rifornimento di carburante (page 7).
Acceleratore in posizione errata (Solo VYEA)	Portare la manetta dell'acceleratore in posizione FAST (Veloce) (page 10).
Carburante deteriorato; il rasaerba è stato immagazzinato senza avere trattato la benzina o è stato effettuato il rifornimento con benzina deteriorata	Effettuare il rifornimento con benzina fresca (page 5).
Candela difettosa, sporca o con spaziatura errata	Correggere la spaziatura o sostituire la candela (page 12).
Candela bagnata di carburante (motore ingolfato)	Asciugare e rimontare la candela.
Filtro del carburante intasato, malfunzionamento del carburatore, malfunzionamento dell'accensione, valvole bloccate, ecc.	Portare il rasaerba presso un concessionario autorizzato Honda o consultare il manuale d'officina per la riparazione.

CALO DI POTENZA

Possibile causa	Rimedio
Erba troppo alta	Aumentare l'altezza di taglio (page 7), tosare una fascia più stretta, usare una velocità di avanzamento più bassa o tagliare con maggiore frequenza.
Acceleratore non impostato su FAST (Veloce) (Solo VYEA)	Spostare la manetta dell'acceleratore in posizione FAST (Veloce) (page 10).
Il coprilama è intasato	Pulire il coprilama (page 10).
Filtro dell'aria intasato	Pulire o sostituire il filtro dell'aria
Carburante deteriorato; il rasaerba è stato immagazzinato senza avere trattato la benzina o è stato effettuato il rifornimento con benzina deteriorata	Effettuare il rifornimento con benzina fresca (page 12).
Filtro del carburante intasato, malfunzionamento del carburatore, malfunzionamento dell'accensione, valvole bloccate, ecc.	Portare il rasaerba presso un concessionario autorizzato Honda o consultare il manuale d'officina per la riparazione.

VIBRAZIONE

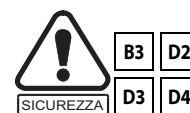
Possibile causa	Rimedio
Erba e detriti depositati sotto il coprilama	Pulire il coprilama (page 10).
Lama allentata, piegata, danneggiata o sbilanciata a causa di una affilatura non corretta	Serrare i bulloni della lama allentati (page 13). Qualora si riscontri che la lama è piegata o danneggiata, sottoporre il rasaerba alla verifica da parte di un centro assistenza Honda autorizzato.
Danni meccanici, come ad esempio albero motore piegato	Portare il rasaerba presso un concessionario autorizzato Honda o consultare il manuale d'officina per la riparazione.

PROBLEMI DI RASATURA E RECUPERO

Possibile causa	Rimedio
Il rasaerba si muove troppo velocemente per le condizioni del prato	Applicare una pressione minore sul comando Smart Drive o spingere più lentamente.
Leve di regolazione dell'altezza di taglio in diverse posizioni	Posizionare entrambe le leve nella stessa posizione dell'altezza di taglio (page 7).
Sacco di raccolta troppo pieno o intasato	Svuotare il sacco di raccolta. Lavare il sacco di raccolta se è intasato a causa di sporcizia (page 14).
Il coprilama è intasato	Pulire il coprilama (page 10).
Lama poco affilata, usurata o danneggiata	Affilare o sostituire la lama, se necessario (page 13).

STOCCAGGIO

Uno stoccaggio corretto è essenziale per mantenere il rasaerba in buono stato e senza problemi. Le seguenti operazioni contribuiscono a proteggere il rasaerba da ruggine e corrosione e a rendere più facile l'avviamento del motore quando si utilizza nuovamente il rasaerba.



PULIZIA

Motore

Pulire il motore a mano, utilizzando uno straccio e una spazzola.

AVVISO

L'utilizzo di un flessibile da giardino o di un'attrezzatura per il lavaggio a pressione può far penetrare l'acqua nel filtro dell'aria. L'acqua contenuta nel filtro dell'aria impregna il filtro di carta e può entrare nel carburatore o nel cilindro del motore, causando danni. L'acqua a contatto con il motore caldo può causare danni. Se il motore è stato acceso, lasciarlo raffreddare per almeno mezz'ora prima di pulirlo.

Coprilama

Per assicurare una lunga durata e un miglior rendimento del rasaerba, è necessario mantenere la parte sottostante del rasaerba pulita e priva di residui d'erba; a tale scopo usare una spazzola e un raschietto. Eseguire inoltre una pulizia approfondita prima del rimessaggio stagionale del rasaerba.

Prima di pulire la parte inferiore del coprilama, lasciar raffreddare il motore e accertarsi che il rubinetto carburante sia in posizione OFF (chiuso). Scollegare il tappo della candela di accensione. Appoggiare il rasaerba sul lato destro in modo che il tappo di rifornimento del carburante sia rivolto verso l'alto. In questo modo si evitano perdite di carburante e difficoltà di avviamento dovute all'ingolfamento del carburatore. Indossare guanti pesanti per proteggere le mani dalle lame di taglio.

Sacco di raccolta

Rimuovere il sacco di raccolta dal rasaerba e lavarlo con un flessibile da giardino o con un impianto di lavaggio a pressione. Lasciare asciugare completamente il sacco di raccolta prima di riporlo.

Una volta che il rasaerba è pulito e asciutto, ritoccare la vernice danneggiata e rivestire con un leggero strato di olio le aree che potrebbero arrugginire.

CARBURANTE

AVVISO

A seconda della regione in cui si opera, le formulazioni del carburante possono deteriorarsi e ossidarsi rapidamente. Il deterioramento e l'ossidazione del carburante possono verificarsi anche in soli 30 giorni e possono causare danni al carburatore e/o all'impianto di alimentazione. Consultare il proprio concessionario di fiducia per conoscere le raccomandazioni di stoccaggio locali.

La benzina si ossida e si deteriora quando viene immagazzinata. La benzina vecchia causa difficoltà di avviamento e lascia depositi di gomma che possono ostruire i piccoli passaggi dell'impianto di alimentazione. Se la benzina contenuta nel rasaerba si deteriora durante lo stoccaggio, potrebbe essere necessario fare riparare o sostituire il carburatore e altri componenti dell'impianto di alimentazione.

Il periodo di tempo in cui la benzina può essere lasciata nel serbatoio e nel carburatore senza causare problemi di funzionamento varia in base a fattori quali la miscela di benzina, le temperature di stoccaggio e il riempimento parziale o completo del serbatoio. L'aria presente in un serbatoio parzialmente riempito favorisce il deterioramento del carburante. Le temperature di stoccaggio molto calde accelerano il deterioramento del carburante. I problemi di deterioramento del carburante possono verificarsi entro pochi mesi, o anche meno, se la benzina non era fresca al momento del rifornimento.

Se si conserva un contenitore di benzina per il rifornimento, assicurarsi che contenga solo benzina fresca.

Qualora siano necessari più di 3 mesi per utilizzare il carburante contenuto nel contenitore, si consiglia di aggiungervi uno stabilizzatore di carburante al momento del riempimento dello stesso.

Stoccaggio a breve termine (30-90 giorni)

Se il rasaerba non viene utilizzato per 30-90 giorni, si consiglia di effettuare le seguenti operazioni per evitare problemi legati al carburante:

1. Aggiungere lo stabilizzatore del carburante seguendo le istruzioni del produttore.
Quando si aggiunge uno stabilizzatore di carburante, riempire il serbatoio con benzina fresca. Se riempito solo parzialmente, l'aria nel serbatoio favorisce il deterioramento del carburante durante lo stoccaggio.
Nota:
 - Tutti gli stabilizzatori hanno una durata di conservazione e le loro prestazioni si deteriorano nel tempo.
 - Gli stabilizzatori di carburante non ricostituiscono il carburante raffermo.
2. Dopo aver aggiunto uno stabilizzatore di carburante, far girare il motore all'aperto per 10 minuti per assicurarsi che la benzina trattata abbia sostituito quella non trattata nel carburatore.
3. Arrestare il motore e portare il rubinetto carburante in posizione OFF (chiuso).
4. Avviare il motore e continuare a farlo girare finché non si ferma per la mancanza di carburante nella vaschetta del carburatore. Il tempo di funzionamento deve essere inferiore a 3 minuti.

Stoccaggio a lungo termine o stagionale (superiore a 90 giorni)

Avviare il motore e lasciarlo girare abbastanza a lungo da svuotare tutta la benzina dall'intero impianto di alimentazione (compreso il serbatoio). Non lasciare che la benzina rimanga nel motore per più di 90 giorni di inattività.

La **GARANZIA** non copre i danni all'impianto di alimentazione o i problemi di prestazioni del motore derivanti da una preparazione di stoccaggio trascurata.

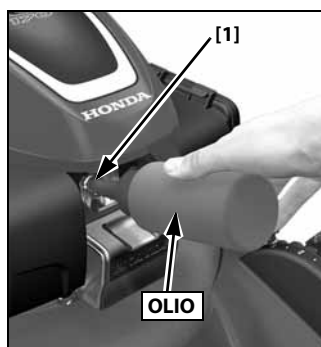
OLIO MOTORE

Sostituire l'olio motore (page 12).

CILINDRO DEL MOTORE

Se il rasaerba viene immagazzinato per più di 3 mesi, rimuovere la candela di accensione (page 12). Versare 5 ~ 10 cc di olio motore pulito nel cilindro [1]. Tirare più volte la manopola di avviamento per distribuire l'olio nel cilindro. Reinstallare la candela di accensione.

Tirare lentamente l'impugnatura di avviamento fino a quando si avverte una certa resistenza, quindi riportarla delicatamente indietro. In questo modo si chiudono le valvole e l'umidità non può entrare nel cilindro del motore.



MESSA IN STOCCAGGIO

Poiché il rasaerba sarà stoccato con benzina nel serbatoio e nel carburatore, è importante ridurre il rischio di accensione dei vapori di benzina. Scegliere un'area di stoccaggio ben ventilata e lontana da qualsiasi apparecchio che funzioni con una fiamma, come un forno, uno scaldabagno o un'asciugatrice. Evitare inoltre le aree con motori elettrici che producono scintille o in cui si utilizzano utensili elettrici.

Se possibile, evitare le aree di stoccaggio ad alta umidità, perché favoriscono la ruggine e la corrosione.

Posizionare il rasaerba con le ruote su una superficie piana. L'inclinazione può causare perdite di carburante o di olio. Il manubrio può essere piegato per uno stoccaggio compatto, come mostrato di seguito.

Quando il motore e l'impianto di scarico sono freddi, coprire il rasaerba per evitare la polvere. Un motore e un sistema di scarico caldi possono incendiare o fondere alcuni materiali. Non utilizzare fogli in plastica come copertura per la polvere. Una copertura non porosa trattiene l'umidità intorno al rasaerba, favorendo la ruggine e la corrosione.

RIMOZIONE DALLO STOCCAGGIO

Controllare il rasaerba come descritto in **PREPARAZIONE E VERIFICHE PRIMA DELL'USO** (page 4).

Se il cilindro è stato ricoperto di olio durante la preparazione dello stoccaggio, il motore fumerà brevemente all'avviamento. Si tratta di un fenomeno assolutamente normale.

TRASPORTO

PRIMA DEL CARICAMENTO

Se il motore è stato acceso, lasciarlo raffreddare per almeno 15 minuti prima di caricare il rasaerba sul veicolo di trasporto. Un motore e un sistema di scarico caldi possono ustionare l'utente e incendiare alcuni materiali.

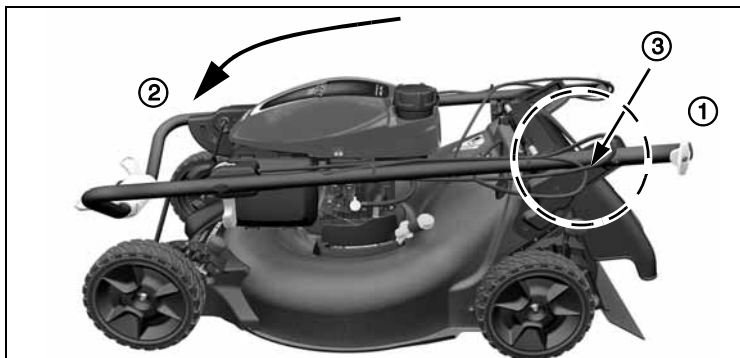
Ruotare il rubinetto carburante in posizione OFF (chiusa) (page 9). In questo modo si evita l'ingolfamento del carburatore e si riduce la possibilità di perdite di carburante.

RIPIEGAMENTO DEL MANUBRIO

1. Rimuovere il sacco di raccolta. È possibile posizionarlo sopra il motore, con l'apertura del sacco verso la parte anteriore.
2. Sostenere e tenere il manubrio.
3. Sbloccare le manopole di regolazione del manubrio ① e ripiegare il manubrio in avanti ② in posizione di stoccaggio.

AVVISO

Non lasciare che i cavi di comando ③ rimangano impigliati, schiacciati o attorcigliati mentre si ripiega il manubrio in posizione di stoccaggio. I cavi o il sistema di controllo del motore potrebbero essere danneggiati e il rasaerba non funzionare correttamente.



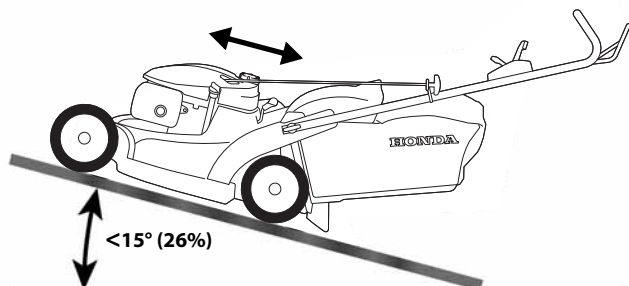
CARICO E SCARICO

Posizionare il rasaerba in modo che tutte e quattro le ruote siano sul pianale del veicolo di trasporto. Legare il rasaerba con una corda o delle cinghie e bloccare le ruote. Tenere la corda o le cinghie di fissaggio lontano dai comandi, dalle leve di regolazione, dai cavi e dal carburatore.

AVVISO

Per evitare ogni perdita di controllo o danneggiamento del rasaerba, non utilizzare il sistema di trasmissione su una rampa di carico.

1. Ruotare il rubinetto carburante in posizione OFF (chiusa).
2. Utilizzare una rampa di carico adeguata. Regolare la rampa di carico in modo che il suo angolo di inclinazione sia inferiore a 15° (26%). Se non è disponibile una rampa di carico, due persone devono sollevare il rasaerba sul e dal veicolo di trasporto mantenendolo in piano.



INFORMAZIONI UTILI

RIVENDITORI AUTORIZZATI

Fare riferimento a page 19.

PARTI STANDARD, ACCESSORI OPZIONALI E CONSUMABILI

Per acquistare una delle parti originali sottoelencate, o qualsiasi altra parte, contattare un rivenditore Honda autorizzato.

Elemento	Numero di serie	Note
Filtro dell'aria	17211-Z8B-901	Carta
Candela di accensione	98079-55846	NGK (marchio) BPR5ES
Lame di taglio:		Utilizzare sempre una lama di taglio superiore e una lama di taglio inferiore come un blocco.
Inferiore	72511-VR8-M00	
Superiore	72531-VR8-M00	
Bullone lame di taglio(2)	90105-960-710	2 richiesti da 10 x 20 mm
Rondella per bulloni (2)	90502-VG3-000	2 richieste
Ruota/pneumatico	44710-VR8-N00	Anteriore
	42710-VR8-N00	Posteriore

AVVERTENZA

Per garantire la sicurezza dell'operatore, è severamente vietato montare qualsiasi accessorio diverso da quelli sopraelencati, specificamente progettati per il modello e il tipo di rasaerba in dotazione.



SPECIFICHE TECNICHE

MODELLO	HRN536C1	
TYPE	VKEA	VYEA
CODICE IDENTIFICATIVO	MCHF	
FUNZIONE	Taglio di erba	
INFORMAZIONI GENERALI		
Dimensioni (lunghezza x larghezza x altezza)	1.550 x 575 x 1.035 mm	
Peso a vuoto	36 kg	40 kg
Larghezza di taglio	530 mm	
Impostazioni dell'altezza di taglio	27 mm, 39 mm, 51 mm, 64 mm, 76 mm, 88 mm, 100 mm	
Capacità sacco di raccolta	70 l	
Livello di pressione acustica all'orecchio del conducente (secondo la norma EN ISO5395-2:2013 + A1:2016 + A2:2017)	84,8 dB(A)	85,4 dB(A)
Incertezza	1 dB(A)	
Livello di potenza acustica misurata (secondo le direttive 2000/14/CE, 2005/88/CE)	96,68 dB(A)	96,33 dB(A)
Incertezza	0,78 dB(A)	0,64 dB(A)
Livello di potenza acustica garantita (secondo le direttive 2000/14/CE, 2005/88/CE)	98 dB(A)	
Test di vibrazione (secondo la norma EN ISO5395-2:2013 + A1:2016 + A2:2017) *	3,87 m/s ²	5,39 m/s ²
Incertezza (EN12096)	0,45 m/s ²	0,63 m/s ²

MOTORE

Modello	GCV170A
Tipo	4 tempi, monocilindrico, albero verticale
Cilindrata	166 cc
Alesaggio e corsa	60 x 59 mm
Raffreddamento	Aria forzata
Lubrificazione	Schizzi e spruzzi
Rapporto di compressione	8,0:1
Velocità massima di funzionamento del motore	2.950 ⁺⁰ ₋₁₀₀ min ⁻¹
Potenza netta **	3,6 kW
Potenza nominale	3,2 kW
Sistema di accensione	Magnete transistorizzato
Candela di accensione	NGK: BPR5ES
Distanza della candela di accensione	0,7 ~ 0,8 mm
Filtro dell'aria	Tipo di elemento a secco
Carburante consigliato	Benzina senza piombo E10
Capacità del serbatoio carburante	0,91 l
Olio consigliato	SAE 5W-30, 10W-30, API SJ o successivi
Capacità del serbatoio dell'olio	0,40 l *** Quantità di rabbocco: 0,35~0,40 L
Emissioni di biossido di carbonio (CO2) ****	Consultare i valori di CO2 del motore Honda all'indirizzo www.honda-engines-eu.com/co2

DRIVE

Tipo	Smart Drive a velocità variabile
Dal motore alla trasmissione	Cinghia trapezoidale
Frizione principale	Tipo di cinghia scorrevole
Velocità del rasaerba	0 ~ 1,7 m/s
Fluido consigliato	SAE 10W-30, API SN o successivo

* Valori validi per una macchina dotata di sacco di raccolta, in posizione di raccolta erba.

** La potenza nominale del motore indicata nel presente documento corrisponde alla potenza netta erogata, testata su un motore di serie per il modello GCV170A e misurata in base a quanto previsto dalla normativa SAE J1349 a 3.600 giri/min⁻¹ (potenza netta). I motori destinati alla produzione di massa possono discostarsi da questo valore. La potenza effettiva erogata dal motore installato sulla macchina finale può variare in funzione di numerosi fattori, tra cui la velocità di funzionamento del motore, le condizioni ambientali, la manutenzione e altre variabili.

*** La quantità effettiva varia a causa dell'olio residuo nel motore. Utilizzare sempre l'astina di livello per confermare il livello effettivo (vedere page 7).

**** Questo valore di misurazione del CO₂ è risultato da un ciclo di prova fisso eseguito in condizioni di laboratorio su un motore (capostipite) rappresentativo del tipo di motore (della famiglia di motori) e non comporta alcuna garanzia implicita o esplicita delle prestazioni di un particolare motore.

FÖRORD

Du har precis köpt en Honda-gräsklippare och vi tackar dig för ditt förtroende för oss.

Den här handboken har skrivits för att du ska kunna bekanta dig med gräsklipparen, använda den på bästa möjliga sätt och utföra dess underhåll.

Vårt mål är att du ska kunna dra nytta av tekniska framsteg, ny utrustning och nya material och vår erfarenhet. Det är därför vi regelbundet förbättrar våra modeller. Specifikationerna och informationen i den här handboken kan därför ändras utan föregående meddelande och utan skyldighet att uppdatera den.

Om du har problem med gräsklipparen eller om du har frågor om den kontaktar du din återförsäljare eller en auktoriserad Honda-återförsäljare.

Ha den här handboken till hands så att du kan hänvisa till den när som helst. Om du säljer gräsklipparen, se till att handboken medföljer den.

Vi rekommenderar att du läser garantipolicyn för att förstå dina rättigheter och skyldigheter fullt ut. Garantipolicyn är ett separat dokument som tillhandahålls av din återförsäljare.

Ingen reproduktion, ens delvis, får göras av denna publikation utan föregående skriftligt tillstånd.

SÄKERHETSINSTRUKTIONER

För din egen säkerhet och bekvämlighet rekommenderar vi att du läser den här handboken i sin helhet.

Var uppmärksam på dessa symboler och deras betydelse:

⚠ VARNING

Indikerar en hög risk för allvarliga personskador eller dödsfall om instruktionerna inte följs.

OBSERVER:

- Indikerar en risk för personskador eller skador på utrustningen om instruktionerna inte följs.

ANMÄRKNING: Källa till användbar information.

OBS!

Din gräsklippare, annan egendom eller miljön kan skadas om du inte följer instruktionerna.

Syftet med dessa meddelanden är att hjälpa till att förhindra skador på din gräsklippare, annan egendom eller miljön.

BESKRIVNING AV DE KODER SOM ANVÄNDS I DEN HÄR HANDBOKEN

HRN536C	VKEA	VYEA
Självgående med transmission med variabel hastighet	•	•
Skärbroms	•	
Rotostop		•

RAMENS OCH MOTORNS SERIENUMMER

Anteckna ramens och motorns serienummer (page 3) i utrymmet nedan. Du behöver dessa nummer när du beställer delar och när du kontaktar oss rörande tekniska frågor eller garanti.

Ramens serienummer: _____

Motorns serienummer: _____

Inköpsdatum: ____/____/____

Honda France Manufacturing S.A.S. - Pôle 45 - Rue des Châtaigniers
45140 ORMES - FRANKRIKE - Med ensamrätt

HONDA

ANVÄNDARHANDBOK

(Originalinstruktioner)

HRN536C

Självgående
gräsklippare



Service och support



<https://www.hondapps.com/HME/>

INNEHÅLL

FÖRORD	1	UNDERHÅLL	11
SÄKERHETSINSTRUKTIONER	1	BETYDELSEN AV UNDERHÅLL	11
BESKRIVNING AV DE KODER SOM ANVÄNDS I DEN HÄR HANDBOKEN	1	SÄKERHET VID UNDERHÅLL	11
RAMENS OCH MOTORNS SERIENUMMER	1	UNDERHÅLL AV LUFTFILTER	11
SÄKERHETSINSTRUKTIONER	2	BYTE AV MOTORLJA	12
SÄKERHETSDEKALER	3	KONTROLLERA TÄNDSTIFET	12
IDENTIFIERING AV MASKIN	3	UNDERHÅLL AV GNISTSLÄCKARE (EXTRAUTRUSTNING)	12
FÖRBEREDELSE OCH KONTROLLER FÖRE ANVÄNDNING	4	BORTTAGNING OCH MONTERING AV SKÄR	13
UPPACKNING	4	RENGÖRING OCH BYTE AV GRÄSUPPSAMLARE	14
MONTERING AV HANDTAGET	4	FUNKTIONSKONTROLL AV SKÄREN	14
KONTROLL AV DET BAKRE SKYDDET	4	UNDERHÅLLSSCHEMA	14
KONTROLLERA GRÄSUPPSAMLAREN	5	FELSÖKNING	15
KONTROLLERA BRÄNSLENIVÅN	5	MOTORN STARTAR INTE	15
KONTROLLERA LUFTFILTRET	6	EFFEKTFÖRLUST	15
KONTROLLERA SKÄRENS SKICK	6	VIBRATION	15
JUSTERA KLIPPHÖJDEN	6	PROBLEM MED KLIPPNING OCH UPPSAMLING	15
KONTROLLERA MOTORLJENIVÅN	7	FÖRVARING	15
VÄLJA KLIPPLÄGET	7	RENGÖRING	15
STARTA OCH STOPPA MOTORN	8	BRÄNSLE	16
FÖRSIKTIGHETSÅTGÄRDER VID KLIPPNING	8	MOTORLJA	16
ANVÄNDNINGSFREKVENNS	8	MOTORNS CYLINDER	16
STARTA MOTORN	8	PLACERA I FÖRVARING	16
STÄNGA AV MOTORN	8	TA UT FRÅN FÖRVARING	16
ANVÄNDNINGSTIPS	8	TRANSPORT	16
ANVÄNDA GRÄSKLIPPAREN PÅ HÖGA HÖJDER	8	FÖRE LASTNING	16
SÄKRA KLIPPVANOR	9	FÄLLNING AV HANDTAGET	16
MANÖVRERA KLIPPREGLAGEN	9	LASTNING OCH LOSSNING	17
TIPS FÖR KLIPPNING	10	ANVÄNDBAR INFORMATION	17
		HITTA EN AUKTORISERAD ÅTERFÖRSÄLJARE	17
		AKTUELLA DELAR, TILLBEHÖR OCH FÖRBRUKNINGSPARTIKLAR	17
		TEKNISKA SPECIFIKATIONER	17

SÄKERHETSINSTRUKTIONER

För din egen säkerhet och bekvämlighet rekommenderar vi att du läser den här handboken i sin helhet.

Var uppmärksam på dessa symboler och deras betydelse:



Indikerar en hög risk för allvarliga personskador eller dödsfall om instruktionerna inte följs.

OBSERVER:

- Indikerar en risk för personskador eller skador på utrustningen om instruktionerna inte följs.

ANMÄRKNING: Källa till användbar information.



Denna symbol innebär att du måste vara försiktig under vissa åtgärder. Se säkerhetsanvisningarna på följande sidor, till de punkter som anges i rutan.

UTBILDNING

1. Läs instruktionerna noga. Bekanta dig med reglagen och korrekt användning innan du använder utrustningen. Lär dig hur du stänger av motorn snabbt.
2. Använd gräsklipparen för det ändamål den är avsedd för, det vill säga klippning och uppsamling av gräs. All annan användning kan vara farlig eller skada utrustningen.
3. Låt aldrig barn eller personer som inte känner till dessa instruktioner använda gräsklipparen. Lokala bestämmelser kan begränsa användarens ålder.
4. Klipp aldrig när andra, särskilt barn eller husdjur, finns i närheten. Använd aldrig maskinen om du är trött eller sjuk, eller efter konsumtion av läkemedel, droger, alkohol eller farliga ämnen som kan störa din förmåga när det gäller reflexer och koncentration. Använd aldrig maskinen om det finns risk för dåligt väder, t.ex. blixtnedslag eller storm.
5. Tänk på att ägaren eller användaren är ansvarig för olyckor eller risker som drabbar andra personer eller deras egendom.
6. Försök aldrig modifiera gräsklipparen. Det kan orsaka både olyckor och skador på gräsklipparen. Om motorn manipuleras ogiltigförklaras dess EU-typgodkännande.
 - Anslut inte en förlängning till ljuddämparen.
 - Modifiera inte insugssystemet.
 - Justera inte regulatorn.
7. Maskinen är utrustad med säkerhetsanordningar som aldrig får modifieras eller tas bort, annars kan garantin bli ogiltig och tillverkaren befriad från allt ansvar. Kontrollera alltid att säkerhetsanordningarna fungerar innan du använder maskinen.

FÖRBEREDELSE

1. Använd alltid kraftiga och halkfria skyddsskor och långbyxor när du använder maskinen. Använd inte maskinen med bara fötter eller öppna skor. Undvik att bära kedjor, armband eller säckiga kläder med lösa delar eller med snörning eller halsband. Långt hår måste knytas upp. Använd alltid en bullerskyddshjälm.
2. Inspektera noggrant området där utrustningen ska användas och ta bort alla föremål som kan kastas av maskinen (stenar, grenar, trädar, ben etc...).
3. **VARNING** – Bensin är mycket brandfarligt.
 - Förvara bränslet i behållare som är särskilt utformade för detta ändamål.
 - Tanka endast utomhus, innan motorn startas och rök inte vid tankning eller hantering av bränsle.
 - Ta aldrig av tanklocket eller fyll på bensin när motorn är igång eller när motorn är varm.
 - Om bensin spills ut ska du inte försöka starta motorn utan flytta maskinen bort från spillområdet och undvika alla antändningskällor tills bensinångorna har försvunnit.
 - Sätt tillbaka alla bränsletankar och behållarlock ordentligt.
 - Innan du tippar gräsklipparen för underhåll av skär eller urtappning av olja måste du tömma ut bränslet ur tanken.
4. Byt ut defekta ljuddämpare.
5. Före användning ska du alltid inspektera maskinen visuellt, särskilt för att se att skären, skärbultarna och deras monteringsdelar inte är slitna eller skadade. Byt ut slitna eller skadade skär och satsvis för att bevara balansen.

ANVÄNDNING

1. Kör inte motorn i ett begränsat utrymme eftersom farliga kolmonoxidångor kan ansamlas.
2. Klipp endast i dagsljus eller i bra artificiellt ljus. Se till att följa lagbestämmelser som kan variera från region till region.
3. Avbryt användningen om det finns risk för dåligt väder, t.ex. åska eller storm.
4. Undvik att använda utrustningen i vått gräs, där så är möjligt.
5. Håll alltid säkerhetsavståndet till skären under gräsklippningen, vilket är handtagets längd.
6. Spring inte. Låt dig inte dras av gräsklipparen.
7. Var noga med din ställning i sluttningar. Klipp tvärs över sluttningarna, aldrig upp och ned.
8. Tänk på att det är operatören eller användaren som är ansvarig för godtyckliga olyckor eller händelser som drabbar andra personer eller deras egendom. Användaren ansvarar för att kontrollera eventuella risker som kan uppstå på grund av den mark man klipper och för att vidta alla nödvändiga försiktighetsåtgärder för att säkerställa sin egen säkerhet och andras säkerhet, särskilt på sluttande mark, ojämn, hal eller instabil terräng, eller nära hål, diken eller bankningar.
9. Klipp inte sluttningar som lutar mer än 20° (36%).
10. Var mycket försiktig när du drar gräsklipparen mot dig.
11. Avbryt klippningen om gräsklipparen måste lutas för transport när den korsar andra ytor än gräs, och när gräsklipparen transporteras till och från det område som ska klippas.
12. Använd aldrig gräsklipparen med defekta skydd eller skärhöljen, eller utan säkerhetsanordningar som t.ex. utkastarskydd och/eller gräsuppsamlare.
13. Ändra inte motorregulatorns inställningar och övervarva aldrig motorn.
14. Koppla ur alla skärkontroller (modeller utrustade med Rotostop) och drivkoppling (självgående modeller) innan motorn startas.
15. Starta motorn försiktigt enligt instruktionerna och med fötterna långt borta från skären.
16. Luta inte gräsklipparen när du startar motorn. Starta gräsklipparen på en plan yta, fri från högt gräs eller hinder.
17. Håll händer och fötter borta från de roterande delarna. Starta inte motorn när du står framför utkastaröppningen.
18. Plocka aldrig upp eller bär gräsklipparen när motorn är igång.
19. Stäng av motorn och koppla bort tändstiftshatten i följande fall:
 - Före arbete under skärhöljet eller utkastarrännan.
 - Innan du kontrollerar, rengör eller arbetar på gräsklipparen.
 - Efter att ha slagit emot ett främmande föremål. Kontrollera om gräsklipparen skadats och utför eventuella reparationer innan du börjar om och använder gräsklipparen igen.
 - Om gräsklipparen börjar vibrera onormalt. Kontrollera omedelbart orsaken till vibrationen och utför nödvändiga reparationer.
20. Stäng av motorn i följande situationer:
 - När du lämnar gräsklipparen obebodad.
 - Före tankning.
21. Stoppa skären (modeller utrustade med Rotostop) eller motorn i följande fall:
 - När du installerar eller tar bort gräsuppsamlaren.
 - Innan klipphöjden justeras.
22. Minska gasreglaget inställning under motoravstängning. Stäng bränsleavstängningsventilen genom att vrida på den.
23. Om du använder andra tillbehör än de som rekommenderas i den här handboken kan gräsklipparen skadas och sådana skador täcks inte av garantin.
24. **OBSERVER**
De nivåer för buller och vibrationer som anges i den här handboken är de högsta värdena för användning av maskinen. Användningen av ett obalanserat skär, en överdriven rörelsehastighet och brist på underhåll har en betydande effekt på bullernivåer och vibrationer. Det är därför nödvändigt att vidta förebyggande åtgärder för att eliminera alla möjliga skador på grund av höga bullernivåer och påfrestningar på grund av vibrationer. Se till att maskinen är väl underhållen och bär en bullerskyddshjälm. Ta pauser under arbetet.

UNDERHÅLL OCH FÖRVARING

- D1. Håll alla muttrar, bultar och skruvar åtdragna för att vara säkra på att utrustningen fungerar som den ska. Regelbundet underhåll är ett viktigt hjälpmedel för användarens säkerhet och för att bibehålla en hög prestandanivå.
- D2. Förvara aldrig utrustningen med bensin i tanken i en byggnad när ångor kan nå öppen låga, gnistor eller källor till hög temperatur.
- D3. Låt motorn svalna innan du ställer undan gräsklipparen till förvaring.
- D4. För att minska brandrisken ska gräsklipparen, särskilt motorn och ljuddämparen, samt förvaringsutrymmet för bensin, vara fria från gräs, löv eller för mycket fett.
Lämna inte behållare med gräsklipp i eller nära en byggnad.
- D5. Om bränsletanken måste tömmas ska detta göras utomhus, med kall motor.
- D6. Kontrollera ofta att gräsuppsamlaren inte är sliten eller deformerad.
- D7. Använd inte maskinen med slitna eller skadade delar.
Delar måste bytas, inte repareras. Byt ut slitna eller skadade delar mot originaldelar från Honda.
Skären måste alltid vara märkta med Honda och referensnumret.
Delar av sämre kvalitet kan skada maskinen och påverka din säkerhet negativt.
- D8. Använd tjocka handskar när du tar bort eller monterar skär eller när du rengör skärhöljet.
Vid åtdragning eller lossning av skärskruvarna, använd ett träblock för att förhindra att skäret roterar.
- D9. Se alltid till att skäret har rätt balans vid slipning.

SÄKERHETSDEKALER

Den här dekalen varnar dig för potentiella risker som kan orsaka allvarliga personskador. Läs noga dess innebörd. Om dekalen lossnar eller blir svårsläst kontaktar du en serviceverkstad för att få en ny.

Bokstav	Betydelse
A	<ol style="list-style-type: none"> 1. Varning: Läs användarhandboken innan du använder gräsklipparen. 2. Risk för utkast: Håll tredje personer borta från området under användning. 3. Risk för skärskador. Roterande skär: Placera inte händer eller fötter innanför skärhöljet. Koppla bort tändstiftshatten innan underhåll eller reparationer utförs. 4. Använd inte gräsklipparen utan vare sig utkastarskydd eller gräsuppsamlare på plats.

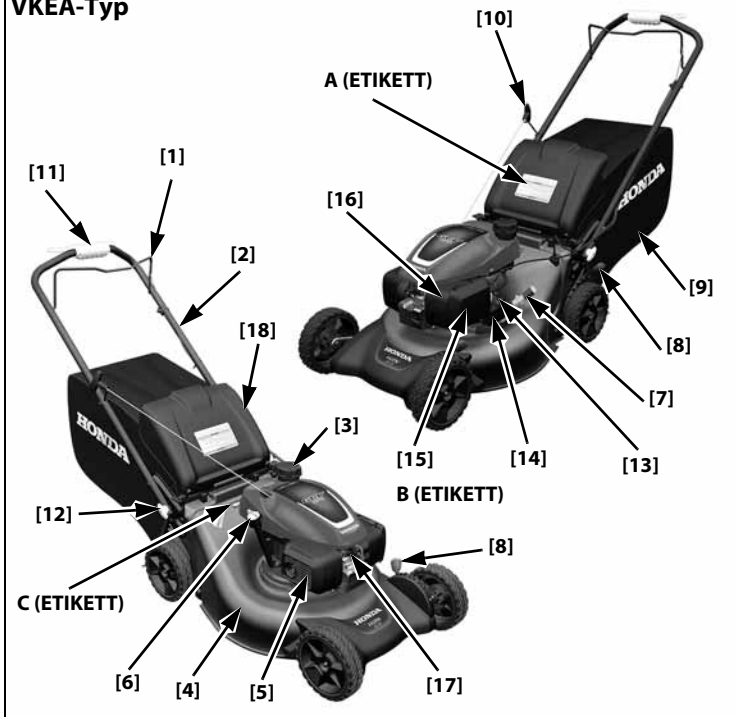
B	<ol style="list-style-type: none"> 5. Varning: Läs användarhandboken innan du använder gräsklipparen. 6. Motorn avger giftig kolmonoxid. Kör inte gräsklipparen i slutna utrymmen. 7. Bensin är mycket brandfarligt. Stäng av motorn innan du fyller på bränsle.
---	---

IDENTIFIERING AV MASKIN

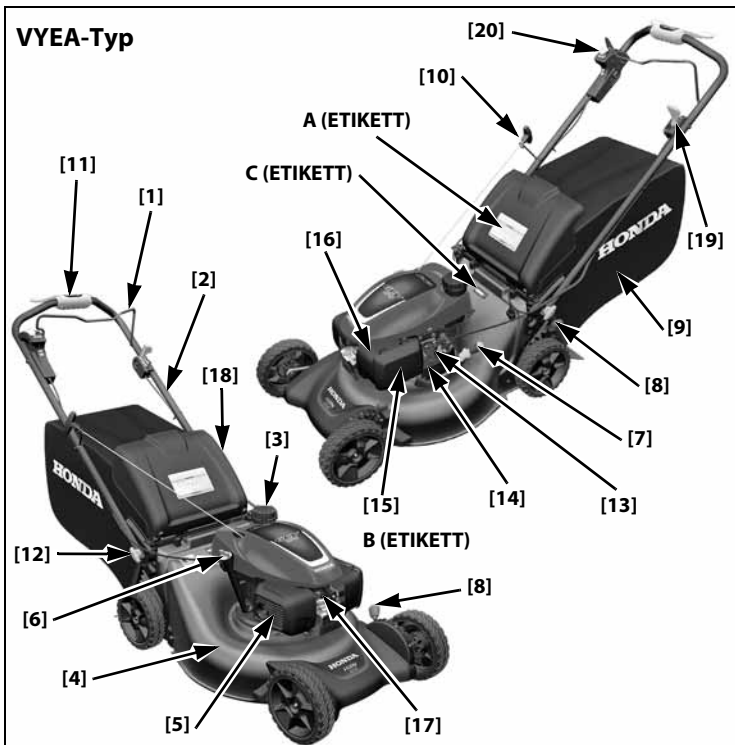
Bokstav	Betydelse
C	<ol style="list-style-type: none"> 1. Bullernivå 2. CE-märkning 3. Valfritt överensstämmelsemärke 4. UK-märke för bedömning av överensstämmelse (för Storbritannien) 5. Nominell effekt i kilowatt 6. Rekommenderat motorvarvtal i min^{-1} 7. Månad och tillverkningsår 8. Vikt i kilogram (med tomma tankar) 9. Ramens serienummer (Typ och serienummer för försäkring om överensstämmelse) 10. Modell – Typ 11. Namn och adress för auktoriserad representant 12. Tillverkarens namn och adress

ALLMÄN BESKRIVNING

VKEA-Typ



VYEA-Typ



1	Skärkontrollreglage (Startar och stoppar skäret)
2	Handtag
3	Tanklock
4	Skärhölje
5	Ljuddämpare
6	Oljepåfyllningslock
7	Clip Director-vred
8	Spak för inställning av klipphöjd (2)
9	Gräsuppsamlare
10	Startsnöre

11	Smart Drive-reglage
12	Handtagets justeringsvred (2)
13	Bränsleventil
14	Motorns serienummer
15	Luftfilter
16	Förgasare
17	Tändstiftshatt
18	Utkastarskydd
19	Gasreglage (VYEA)
20	Roto-Stop-knapp (VYEA)

FÖRBEREDELSE OCH KONTROLLER FÖRE ANVÄNDNING

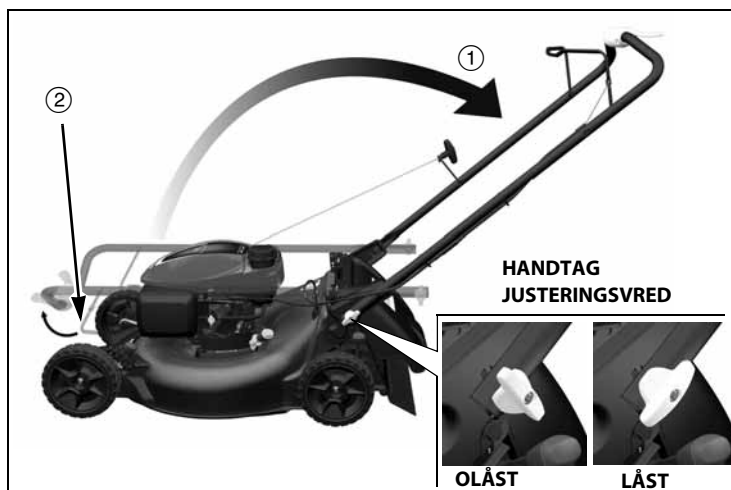


UPPACKNING

Ta bort all kartong runt handtaget.

MONTERING AV HANDTAGET

Vrid handtagets justeringsvred till olåst läge och lyft sedan försiktigt handtaget till klippäge ①. VKEA-typen kräver att skärkontrollreglaget ② dras mot handtaget.



Rikta in justeringsvreden mot ett av de två hålen på varje handtagsstag. Om du ställer in justeringsvreden till de lägsta hålen höjs handtaget till det högsta läget.

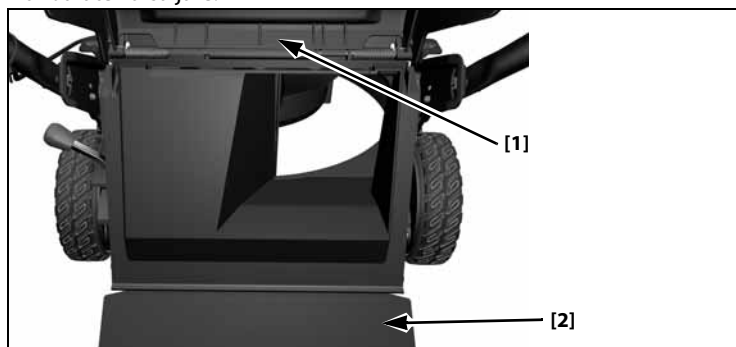
Vrid handtagets justeringsvred 90 grader till låst läge och se till att båda sidorna är placerade på samma höjd.

OBS!

Se till att manövernajarna inte kläms när du fäller upp handtaget. Vajrarna eller motorns styrsystem kan skadas.

KONTROLL AV DET BAKRE SKYDDET

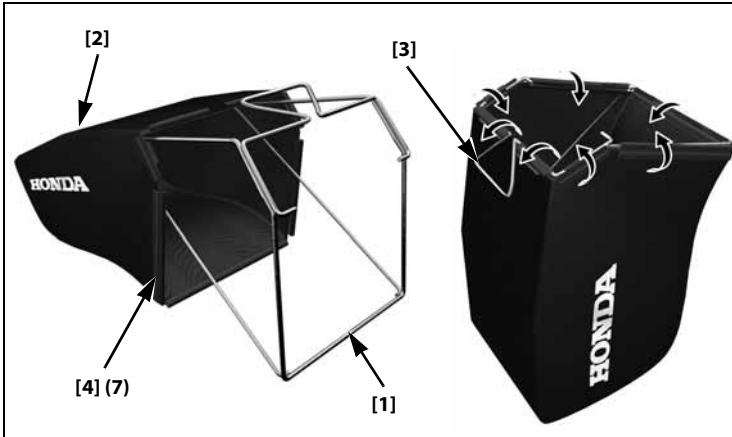
Vid normal användning försämras och slits det bakre skyddet. Ta bort gräsuppsamlaren och lyft upp utkastarskyddet [1] för att kontrollera att det inte förekommer sprickor eller revor på det bakre skyddet [2]. Om det bakre skyddet är alltför slitet ska det bytas ut av en auktoriserad Honda-återförsäljare.



KONTROLLERA GRÄSUPPSAMLAREN



1. Montera den monterade ramen [1] i tyggräsuppsamlaren [2] och håll gräsuppsamlarens handtag [3] synligt.
2. Montera de sju plastklipsen [4] som fäster tyggräsuppsamlaren i ramen.



En gräsklippare fungerar som en dammsugare. Den blåser luft genom uppsamlaren som sedan fångar in gräsklippen. Töm alltid gräsuppsamlaren innan den fyllts till gränsen för dess kapacitet. Gräsuppsamlarens prestanda minskar när den fyllts till cirka 90 %. Dessutom är uppsamlaren lättare att tömma när den inte är fullpackad.

Inspektion

Vid normal användning försämras och slits gräsuppsamlarens material.

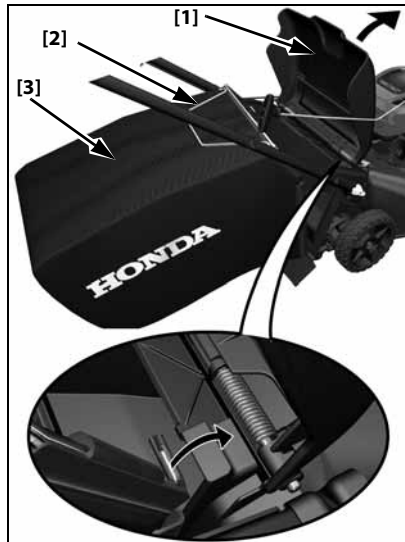
OBS!

Inspektera gräsuppsamlaren regelbundet med avseende på revor, hål och omfattande slitage. Kontrollera om det är dags att byta ut den. Se till att den nya uppsamlaren uppfyller originalspecifikationerna.

Om gräsuppsamlaren behöver bytas ut kan du ta bort och installera en ny själv (page 14).

Installation

1. Lyft upp utkastarskyddet [1] och använd gräsuppsamlarens handtag [2] för att haka fast gräsuppsamlaren [3] på skärhöljet enligt bilden.
2. Släpp utkastarskyddet för att säkra gräsuppsamlaren.



Borttagning

1. Lyft upp utkastarskyddet, ta tag i gräsuppsamlarens handtag och ta bort gräsuppsamlaren.
2. Släpp utkastarskyddet.
3. När gräsuppsamlaren går fri från utkastarskyddet kan du lyfta den genom handtagsöppningen, eller så kan du ta bort den från gräsklipparens baksida under handtaget.

KONTROLLERA BRÄNSLENIVÅN



Den här motorn är certifierad för användning på blyfri bensin med ett oktantal på 91 eller högre.

Bränslespecifikation(er) nödvändiga för att bibehålla emissionskontrollsystemet: E10-bränsle som nämns i EU-förordningen.

Vi rekommenderar tankning efter varje användning för att minimera mängden luft i bränsletanken.

Fyll på bränsle i ett välventilerat utrymme innan motorn startas. Låt motorn svalna om den har varit igång. Tanka aldrig gräsklipparen i en byggnad där bensinångor kan komma i kontakt med lågor eller gnistor.

Du får använda vanlig blyfri bensin som innehåller högst 10 % etanol (E10) eller 5 % metanol (volympcent). Dessutom måste metanol innehålla ytterligare lösningsmedel och korrosionshämmare. Användning av bränslen med etanol- eller metanolinnehåll större än vad som anges ovan kan orsaka start- och/eller prestandaproblem. Det kan också skada metall-, gummi- och plastdelar i bränslesystemet. Dessutom är etanol hygroskopiskt, vilket innebär att det drar till sig och behåller vatten i bränslesystemet. Motorskador eller prestandaproblem som uppstår vid användning av ett bränsle med större andel etanol eller metanol än vad som anges ovan, täcks inte av garantin. Du måste använda det bränsle som anges ovan för att bibehålla emissionskontrollsystemets prestanda.

Om din utrustning kommer att användas mer sällan eller oregelbundet (mer än 4 veckor före nästa användning), se avsnittet *Bränsle* i kapitlet *FÖRVARING* (page 16) för ytterligare information om bränsleförsämrning.

⚠ VARNING

Bensin är mycket lättantändligt och explosivt.

Du kan bli bränd eller allvarligt skadad vid hantering av bränsle.

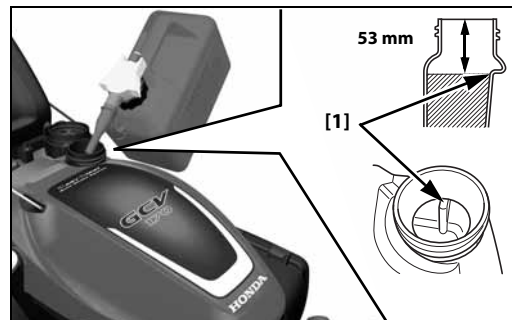
- Stäng av motorn och låt den svalna.
- Undvik värme, gnistor och lågor.
- Hantera bränsle endast utomhus.
- Torka upp spill omedelbart.

Använd aldrig gammal eller förorenad bensin eller en olje-/bensinblandning. Undvik att få smuts eller vatten i bränsletanken.

OBS!

Bränsle kan skada lacken och plastdetaljer. Var försiktig så att du inte spiller bränsle när du fyller bränsletanken. Skador orsakade av utspillt bränsle täcks inte av garantin.

Ta bort tanklocket och kontrollera bränslenivån. Fyll på tanken till den övre gränsen [1] om bränslenivån är låg. Tanka försiktigt för att undvika att spilla bränsle. Fyll inte på för mycket, det får inte finnas något bränsle i påfyllningsröret.



Dra åt tanklocket ordentligt efter tankning.

Flytta gräsklipparen minst 3 meter från tankstället innan du startar motorn.

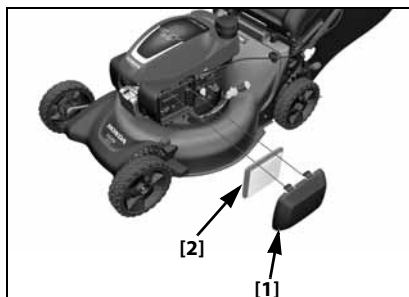
Bränsleförvaringsbehållare

Förvara din bensin i en ren, plastförseglad behållare som är godkänd för förvaring av bränsle. Stäng ventilen (i förekommande fall) när den inte används och förvara behållaren borta från direkt solljus. Om det tar mer än 3 månader att förbruka bränslet i behållaren föreslår vi att du lägger till en bränslestabilisator när du fyller behållaren.



KONTROLLERA LUFTFILTRET

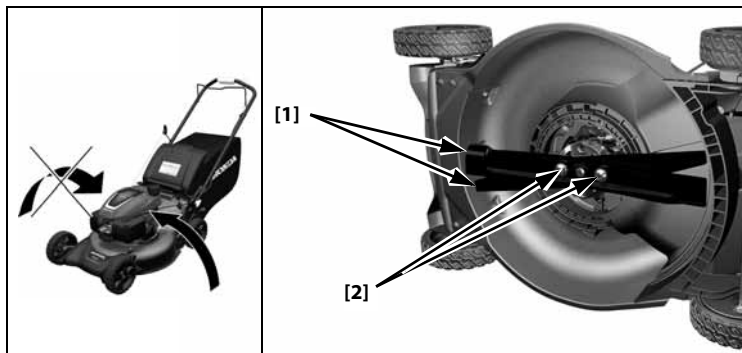
Ta bort kåpan [1]. Kontrollera att filtret [2] är rent och i gott skick. Ett smutsigt luftfilter begränsar luftflödet till förgasaren, vilket minskar motorns prestanda. Se page 11 för service av luftfiltret.



KONTROLLERA SKÄRENS SKICK



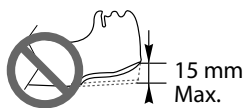
1. Flytta bränsleventilen till läge OFF (page 9) och koppla bort tändhatten från tändstiftet (page 12).
2. Luta gräsklipparen åt höger så att tanklocket hamnar uppåt. Detta hjälper till att förhindra bränsleläckage, att motorolja sipprar in i luftfiltret och att det blir svårt att starta.
3. Inspektera skären [1] och skärbultarna [2] med avseende på skador, sprickor och onormalt slitage, rost eller korrosion.



NORMALT



BÖJT



MYCKET SLITET



SPRUKET

⚠ VARNING

Ett slitet sprucket eller skadat skär kan gå sönder och bitar av det skadade skäret kan bli farliga projektiler.

Utkastade föremål kan orsaka allvarliga skador.

Inspektera skäret regelbundet och använd inte gräsklipparen med slitna eller skadade skär.

Ett slött skär kan slipas, men ett skär som är slitet, böjt, sprucket eller på annat sätt skadat måste bytas ut. Ett slitet eller skadat skär kan gå sönder, vilket gör att delar skäret kan kastas ut från gräsklipparen.

När ett skär behöver slipas eller bytas ska du ta med gräsklipparen till en auktoriserad Honda-återförsäljare. Eller, om du har en momentnyckel, kan du ta bort och installera skär på egen hand.

Kontrollera att skärbultarna är åtdragna (page 13).

JUSTERA KLIPPHÖJDEN



Det finns två spakar för justering av klipphöjden på vänster sida av gräsklipparen. Spaken [1] på vänster framhjul justerar höjden på båda framhjulen och spaken [2] på vänster bakhjul justerar höjden för båda bakhjulen. Båda spakarna kan justeras till en av sju inställningar. Den faktiska höjden på klippt gräs varierar beroende på gräsmattan och markförhållandena.

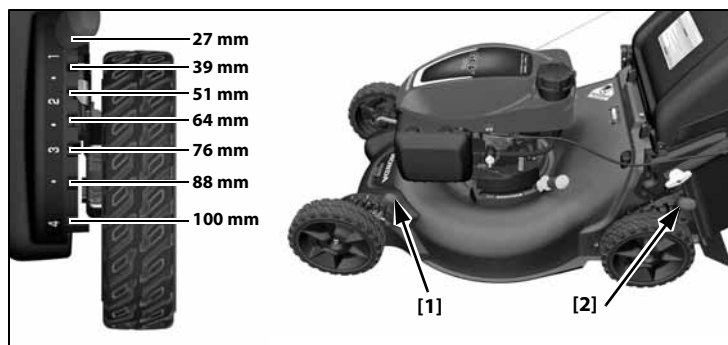
Se till att motorn inte är igång när klipphöjden justeras.

För de båda spakarna till samma läge, framåt för högt gräs och bakåt för kort gräs.

Kontrollera skärhöljets klipphöjdsinställningar och se till att båda justeringsspakarna [1] [2] är inställda på samma klipphöjd.

För att justera klipphöjden, flytta den bakre klipphöjdsspaken först. Fatta tag i handtaget, lyft upp gräsklipparen något och dra sedan justeringsspaken mot hjulet och flytta den till önskad höjd. Justera den främre klipphöjdsspaken så att den matchar den bakre höjdställningen.

Om du inte är säker på vilken klipphöjd du ska välja börjar du med en hög inställning och kontrollerar hur gräsmattan ser ut när du har klippt ett litet område. Justera sedan klipphöjden om det behövs.



Konsultera en lokal plantskola eller trädgårdscenter för rekommendationer om klipphöjd och råd om specifika typer av gräs och odlingsförhållanden i ditt område.



TILLRÄCKLIGT HÖGT

Om du tittar noga ser du att de flesta gräs har stjälkar och löv. Om du klipper av bladen kommer du att skalpera gräsmattan. Låt gräset återhämta sig mellan klippningar. Din gräsklippare fungerar bättre och din gräsmatta ser bättre ut.



FÖR KORT

Om gräset blir för högt klipper du det en gång med den högsta klipphöjdsinställningen och klipper sedan igen om 2 eller 3 dagar. Ta inte av mer än en tredjedel av den totala gräshöjden i en och samma klippning, annars kommer bruna fläckar att utvecklas.

KONTROLLERA MOTOROLJENIVÅN

Gräsklipparen levereras **UTAN OLJA** i motorn.

Fyll på tillräckligt med olja av typen SAE 5W-30, 10W-30 API-servicekategori SJ eller senare för att få oljenivån mellan den övre gränsen [2] och den nedre gränsen [3] på mätstickan [1] enligt bilden.

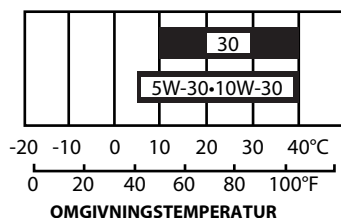
Överfyll inte motorn med olja. Om motorn överfylls kan överflödiga olja överföras till luftfilterhuset och luftfiltret.



Kontrollera motoroljenivån med motorn avstängd och gräsklipparen på ett plant underlag.

Använd 4-taktsmotorolja som uppfyller eller överträffar kraven för API-serviceklassificering SJ eller senare. Kontrollera alltid API SERVICE-etiketten på oljebehållaren för att vara säker på att den innehåller bokstäverna SJ eller senare.

SAE 5W-30, 10W-30 rekommenderas för allmän användning. Andra viskositeter som visas i diagrammet kan användas när medeltemperaturen i ditt område ligger inom det angivna intervallet.

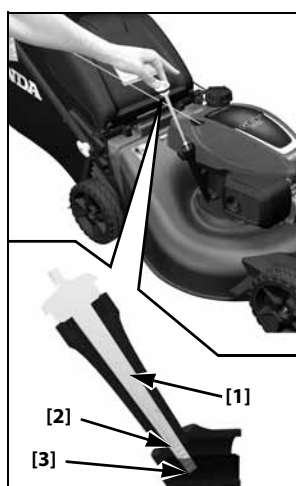


Smörjoljespecifikationer nödvändiga för att bibehålla emissionskontrollsystemets prestanda: Honda originalolja.

OBS!

- Om motorn körs med låg oljenivå kan motorn skadas.
- Om du använder icke-rengörande olja kan motorns livslängd förkortas och om du använder 2-taktsolja kan motorn skadas.

1. Ta bort oljepåfyllningslocket/oljestickan [1] och torka av oljestickan.
2. För in oljestickan i påfyllningsröret. Skruva inte ned den. Ta bort oljestickan och kontrollera oljenivån.
3. Om oljenivån ligger nära markeringen för låg nivå [3] fyller du på rekommenderad olja till den övre gränsmarkeringen [2]. Överfyll inte.
4. Montera och dra åt påfyllningslocket/oljestickan [1] ordentligt.

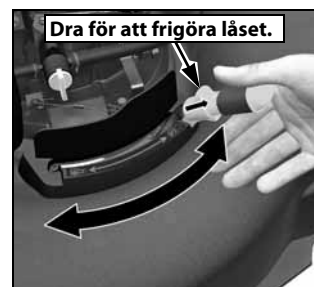


VÄLJA KLIPPLÄGET

Clip Director kan justeras till antingen CATCH- eller MULCH-läge för att uppnå önskade klipresultat.

Justera Clip Director-reglaget till antingen uppsamlingsläge (luckan helt öppen) eller malningsläge (luckan helt stängd) (page 7).

För att justera Clip Director, frisläpp låset genom att dra det bort från gräsklipparen mot änden av spaken och flytta sedan spaken till önskat läge. Frisläpp låset och låt det snäppa fast i spåret.



En viss ansamling av gräs i utkastaröppningen är normalt när Clip Director är i läge MULCH. För att ta bort detta gräs stänger du utkastarskyddet, ställer in Clip Director i uppsamlingsläge, manövrerar skärkontrollreglaget och startar motorn.

Om det är svårt att flytta Clip Director eller om spaken inte låses helt:

- Med motorn AVSTÄNGD lyfter du upp utkastarskyddet och tar bort gräsklipppet från luckan.
- Använd en trädgårdsslang och ett munstycke och spraya runt och under Clip Director-reglaget och kåpenheten för att ta bort gräsklipppet.

OBS!

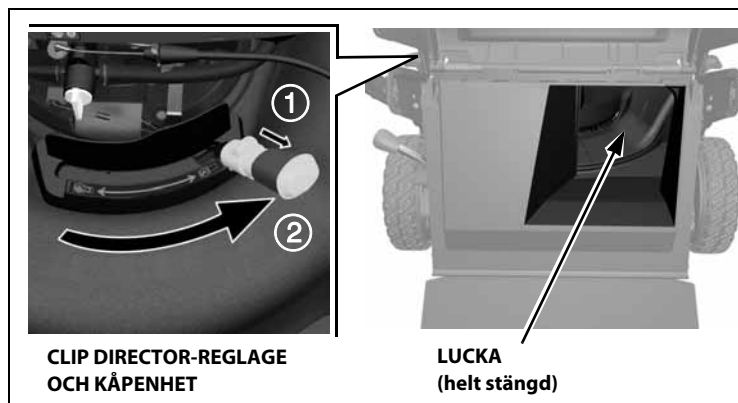
Stäng alltid av motorn och koppla bort tändstiftshatten innan du lyfter upp utkastarskyddet för att se efter eller rengöra runt skjutluckan. Detta förhindrar kontakt med roterande skär och förhindrar att föremål kastas in i utkastarrännan.

En viss ansamling av gräs i utkastaröppningen är normalt när Clip Director är helt stängt. För att ta bort gräset stänger du utkastarskyddet, öppnar Clip Director och startar motorn.

Om ett högt motstånd upptäcks när du flyttar Clip Director-reglaget från sida till sida kan det ha byggts upp för mycket gräs ovanpå skjutluckan.

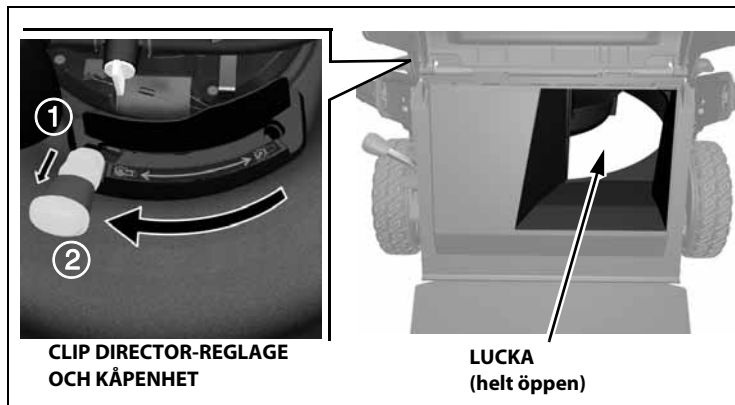
Malning

Frigör låset ① och flytta sedan Clip Director-reglaget till MULCH-läge ②.



Uppsamling eller bakre utkast

Frigör låset ① och flytta sedan Clip Director-reglaget till CATCH-läge ②.



Om du vill kasta ut urklipp bakåt tar du bort gräsuppsamlaren och lämnar Clip Director-reglaget i CATCH-läget.



STARTA OCH STOPPA MOTORN

FÖRSIKTIGHETSÅTGÄRDER VID KLIPPNING



Innan du använder gräsklipparen för första gången ska du läsa SÄKERHETSANVISNINGARNA (page 2) och FÖRBEREDA OCH KONTROLLERA FÖRE ANVÄNDNING (page 4).

Även om du har använt andra gräsklippare, ta dig tid att bekanta dig med hur denna gräsklippare fungerar och öva på ett säkert område tills du bygger upp dina färdigheter.

För din säkerhet bör du undvika att starta eller använda motorn i ett slutet utrymme, t.ex. ett garage. Klipparens avgaser innehåller giftig kolmonoxid som kan ansamlas snabbt i ett slutet utrymme och orsaka sjukdom eller död.

ANVÄNDNINGSFREKVENS

Om din utrustning kommer att användas mer sällan eller oregelbundet (mer än 4 veckor före nästa användning), se avsnittet *Bränsle* i kapitlet FÖRVARING (page 16) för ytterligare information om bränsleförsämring.

STARTA MOTORN

1. Vrid bränsleventilen till läge ON (öppet) (page 9).

2. VKEA-typ:

Dra skärkontrollreglaget bakåt [1] och håll det mot handtaget.

Spaken måste vara mot handtaget för att starta motorn. Skären börjar rotera när spaken är mot handtaget och du drar i startsnöret.

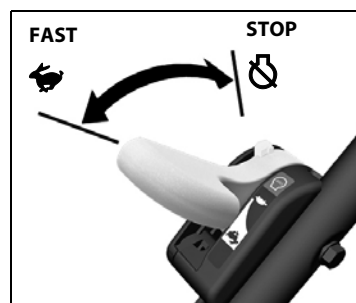


VYEA-typ:

Flytta gasreglaget till läget FAST.

3. Dra lätt i starthandtaget tills du känner motstånd och dra sedan snabbt. Sätt tillbaka starthandtaget försiktigt.

VKEA-typ: Fortsätt att hålla skärkontrollreglaget mot handtaget. Motorn stannar när du släpper reglaget.



För att säkerställa enkel omstart och maximal prestanda från det automatiska chokesystemet ska du börja klippa så snart motorn startat och låta motorn gå i minst tre minuter innan du stänger av motorn.

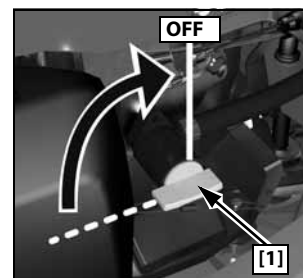
STÄNGA AV MOTORN

1. **VKEA-typ:** Släpp skärkontrollreglaget för att stänga av motorn och skärens rotation.

VYEA-typ: Släpp skärkontrollreglaget för att stoppa skärens rotation och för sedan gasreglaget till läge STOP.

2. När gräsklipparen inte användas vrider du bränsleventilen [1] till läge OFF.

3. Om din utrustning inte kommer att användas under 3 till 4 veckor rekommenderar vi att du kör motorns förgasare tom på bränsle. Du kan göra detta genom att lämna bränsleventilen i läge OFF, starta om motorn och köra den tills bränslet tar slut. See "FÖRVARING" on page 15 för perioder av inaktivitet som överstiger 4 veckor.



ANVÄNDNINGSTIPS

ANVÄNDA GRÄSKLIPPAREN PÅ HÖGA HÖJDER

På hög höjd kommer förgasarens luftbränsleblandning att vara för fet. Prestandan minskar och bränsleförbrukningen ökar. En mycket fet blandning kommer också att förorena tändstiftet och göra motorn svårstartad.

Prestanda på höga höjder kan förbättras genom specifika modifieringar av förgasaren. Om du alltid använder gräsklipparen på höjder över 610 meter, låt en auktoriserad Honda-återförsäljare utföra denna modifiering av förgasaren.

Även med modifiering av förgasaren kommer motoreffekten att minska med ca. 3,5 % för varje ökning av höjden på 300 meter. Effekten av höjd över havet på effekten blir större än detta om ingen modifiering av förgasaren görs.

OBS!

När förgasaren har modifierats för drift på hög höjd kommer luft-bränsleblandningen att vara för mager för användning på låg höjd. Användning på höjder under 610 meter med modifierad förgasare kan leda till att motorn överhettas och orsaka allvarliga motorskador. För användning på låg höjd ska en auktoriserad Honda-återförsäljare återställa förgasaren till originalspecifikationer från fabriken.

SÄKRA KLIPPVANOR

För din säkerhet, håll alla fyra hjulen på marken, och var noga med att undvika att förlora fotfästet och din kontroll över gräsklipparen. Håll ett stadigt grepp om handtaget och gå, spring aldrig, med gräsklipparen. Var mycket försiktig när du klipper på ojämnt underlag.

Om du fastnar får du inte sparka eller putta på gräsklipparen med foten. Använd handtaget för att styra gräsklipparen.

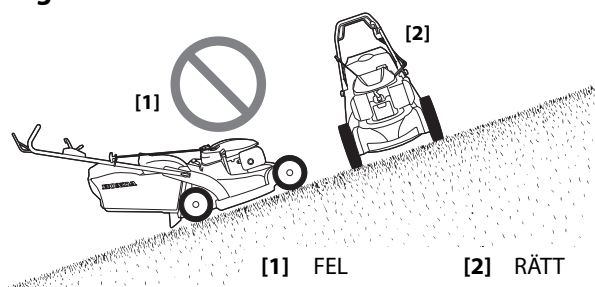
⚠ VARNING

Skären är vassa och roterar med hög hastighet.

Om du kommer i kontakt med ett snurrande skär, kommer det att skada dig allvarligt och kan amputera fingrar och tår.

- Använd stålhattade skor.
- Håll händer och fötter borta från skärhöljet när motorn är igång.
- Stäng av motorn innan någon justering, kontroll eller underhåll utförs.

Sluttningar



Klipp tvärs över sluttningarna, aldrig upp och ned. Undvik branta sluttningar (mer än 20° (36 %)) och var försiktig när du ändrar riktning. Om du klipper i en sluttning när gräset är fuktigt eller blött kan det leda till att du halkar, faller och förlorar kontrollen över gräsklipparen.

Hinder

Använd klipparens sida för att klippa nära stora hinder, som staket eller väggar.

Släpp Smart Drive-reglaget för att koppla ur drivningen när du klipper runt träd och andra hinder. Tryck gräsklipparen runt hinder för bättre riktningkontroll. Var försiktig när du klipper över hinder som är inbäddade i gräsmattan, t.ex. sprinklerhuvuden, beläggning, kantstenar osv. Undvik allt som sticker upp ovanför gräsmattan.

Om skäret slår emot något eller om gräsklipparen börjar vibrera ska du omedelbart stänga av motorn och kontrollera om något skadats. Om du slår emot föremål kan det skada skäret, böja vevaxeln och/eller ha sönder skärhöljet eller andra komponenter. Vibrationer indikerar vanligtvis allvarliga problem.

⚠ VARNING

Ett slitet sprucket eller skadat skär kan gå sönder och bitar av det skadade skäret kan bli farliga projektiler.

Utkastade föremål kan orsaka allvarliga skador.

Inspektera skäret regelbundet och använd inte gräsklipparen med slitna eller skadade skär.

Garantin täcker inte delar som skadats av en kollision.

Grus och lösa föremål

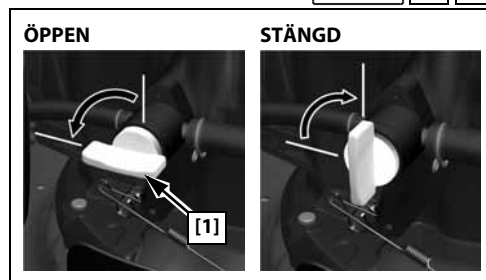
Grus, lösa stenar och landskapsmaterial kan plockas upp av gräsklipparen och kastas iväg med tillräcklig kraft för att orsaka allvarliga personskador och/eller skador på egendom. Det bästa sättet att förhindra potentiell skada från utkastade föremål är att släppa skärets manöverreglage för att stoppa skäret innan du når områden med grus stenar eller landskapsmaterial.

MANÖVRERA KLIPPREGLAGEN



Bränsleventil

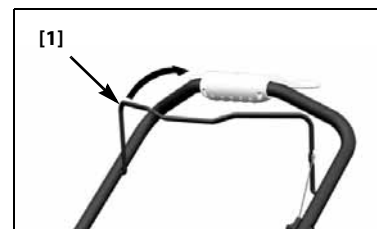
Bränsleventilen [1] öppnar och stänger anslutningen mellan bränsletanken och förgasaren.



Skärens styrsystem

VKEA-typ

För att starta och köra motorn måste du dra spaken [1] bakåt mot handtaget. Skären börjar rotera när spaken dras tillbaka mot handtaget och du drar i det återfjädrande startgreppet.



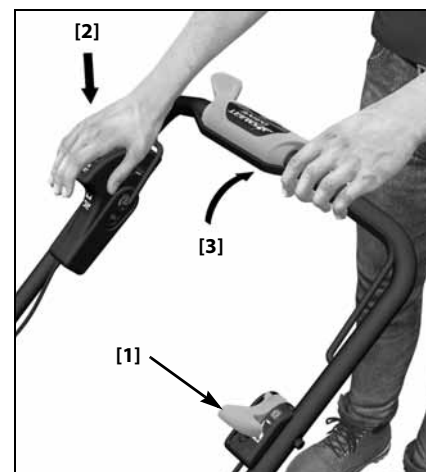
Fortsätt att hålla skärkontrollreglaget helt mot handtaget. Detta håller motorn och skären roterande mjukt och förhindrar för tidigt slitage på skärkontrollsystemet.

Släpp skärkontrollreglaget för att stoppa motorn och stoppa skärens rotation när du behöver lämna gräsklipparen.

VYEA-typ

För att starta skärens rotation, se till att motorn är igång och att gasreglaget [1] är i läge FAST.

1. Tryck ned och **håll ned** Roto-Stop®-knappen [2].
2. Dra snabbt skärkontrollreglaget [3] mot handtaget så att motorn får skären att gå upp till full hastighet. Släpp sedan Roto-Stop-knappen.



Fortsätt att hålla skärkontrollreglaget helt mot handtaget för att bibehålla skärens rotation. Skärkontrollreglaget måste alltid vara helt inkopplat eller helt frikopplat. Koppla inte in spaken delvis.

Släpp skärkontrollreglaget för att stoppa skärens rotation. Släpp alltid skärkontrollreglaget innan motorn startas för att förhindra att skären börjar rotera.

Smart Drive-reglage

Med motorn igång och skären i rotation, tryck långsamt på Smart Drive-reglaget för att driva gräsklipparen framåt.

Körhastigheten ökar när mer tryck appliceras på Smart Drive-reglaget. När maximal körhastighet har uppnåtts ökar inte hastigheten mer även om ytterligare tryck appliceras. Tryck bara tillräckligt hårt för att uppnå önskad hastighet.

Släpp Smart Drive-reglaget för att koppla ur drivningen när du klipper runt träd och andra hinder. Tryck gräsklipparen runt hinder för bättre riktningkontroll.

Körhastigheten varierar beroende på terräng, gräshöjd, lutning och gräsuppsamlarens vikt. Genom att flytta Smart Drive-reglaget kan du bibehålla önskad körhastighet under ständigt föränderliga klippförhållanden.

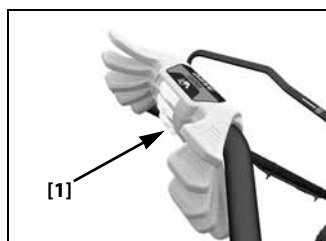
Släpp Smart Drive-reglaget för att koppla ur (stoppa) bakhjulen.

Justera Smart Drive-reglaget

Smart Drive-reglaget kan justeras uppåt eller nedåt till ett av fem lägen för operatörskomfort.

Försök inte justera Smart Drive-reglets läge när gräsklipparen är i rörelse.

Skjut flerlägesjusteraren [1] åt vänster för att låsa upp reglaget, flytta Smart Drive-reglaget uppåt eller nedåt till det mest bekväma läget och släpp sedan justeraren och låt den gripa in.

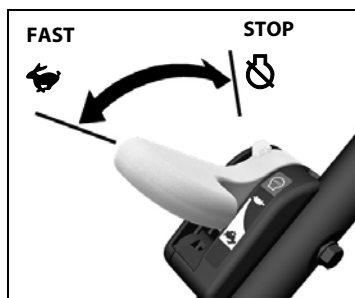


Gasreglage

VYEA-typ

För bästa klippkvalitet ska du alltid klippa med gasreglaget i läge FAST. När skären roterar med den förinställda hastigheten skapar de en stark fläkteffekt som lyfter och klipper gräset mer effektivt.

Försök inte öka det förinställda snabba motorvarvtalet. Skären kan spricka och lossna.



TIPS FÖR KLIPPNING

När du ska klippa

De flesta gräs bör klippas när de har vuxit 12 ~ 25 mm över sin rekommenderade höjd.

Mer frekvent klippning krävs för malning än för uppsamling. För bästa resultat kan du behöva klippa gräsmattan två gånger i veckan under växtsäsongen.

Klippbredd

För en jämn gräsmattsyta ska varje klippbana överlappas med några centimeter. Om gräset är mycket högt eller tjockt använder du mer överlappning och en smalare klippbana.

Skärhastighet

Skären måste rotera mycket snabbt för att klippa ordentligt.

Om motorvarvtalet sjunker kan det innebära att motorn överbelastas av skären som försöker klippa för mycket gräs. Klipp en smalare bana, flytta gräsklipparen långsammare eller höj kliphöjden.

Skärens skärpa

Ett skarpt skär innebär ett rent snitt. Ett slött skär innebär att gräset går sönder och att de strimlade ändarna blir bruna. När ditt skär inte längre åstadkommer ett rent snitt måste det slipas eller bytas ut.

Torr gräs

Om marken är för torr kommer klippningen att röra upp mycket damm. Förutom att det är obehagligt att arbeta i det kommer för mycket damm att täppa till förgasarens luftfilter.

Om damm är ett problem, vattna gräsmattan dagen innan du klipper. Klipp när gräset är torrt vid beröring, men jorden fortfarande är fuktig.

Vått gräs

Vått gräs är halt och kan få dig att tappa fotfästet. Dessutom täpper blöta gräsklipp till skärhöljet och samlas i klumpar på gräsmattan. Vänta alltid på att vått gräs torkar innan du klipper.

Fallna löv

Om din gräsklippare är utrustad med gräsuppsamlare kan den användas för att plocka upp fallna löv för kassering. Om du använder gräsklipparen för att samla upp stora mängder nedfallna löv och inte för klippning, ställer du in kliphöjdsjusteringsspakarna så att framsidan av skärhöljet är en eller två inställningar högre än den bakre.

Om du vill mala ned fallna löv i din gräsmatta bör du inte vänta för länge innan du börjar så att lövtäcket blir för tjockt. För bästa resultat, påbörja malningen medan gräset fortfarande sticker fram genom bladen. På platser där fallna löv täcker gräset helt, tar du bort bladen genom att räfsa eller monterar gräsuppsamlaren så att gräsklipparen kan plocka upp dem för kassering.

Igensatt skärhölje

Stäng av motorn och stäng av bränsleventilen innan du rensar ett igensatt skärhölje. När tändstiftshatten är borttagen lutar du gräsklipparen så att luftfiltrets sida är uppåt.

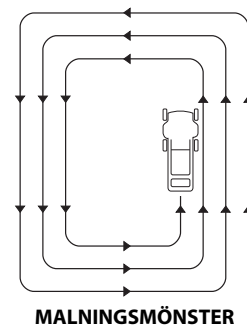
Rensa ett igensatt skärhölje med en pinne, inte dina händer.

Klippmönster

Din Honda-gräsklippare fungerar mest effektivt om du använder följande klippmönster så mycket som möjligt. Skärhöljets och utrustningens design, och den riktning i vilken skären roterar, får dessa klippmönster att ge bästa resultat.

Malning

Använd ett moturs klippmönster när Clip Director-spaken är i MULCH-läget. Om gräsmattan har oregelbunden form eller många hinder delar du upp den i sektioner där du kan använda mönster som går moturs.

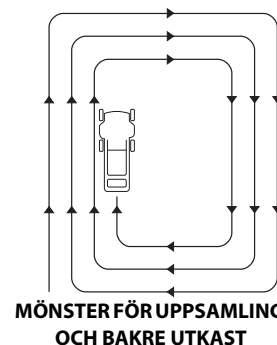


Uppsamling

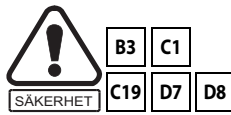
Använd ett medurs klippmönster. Detta ger bästa prestanda från Clip Director och uppsamlaren, och lämnar så lite klipp som möjligt kvar på gräsmattan.

Klippning med bakre utkast

Ta bort gräsuppsamlaren och stäng utkastarskyddet. Ställ in Clip Director-spaken på CATCH-inställningen och börja klippa medurs. Om gräsmattan har oregelbunden form eller många hinder delar du upp den i sektioner.

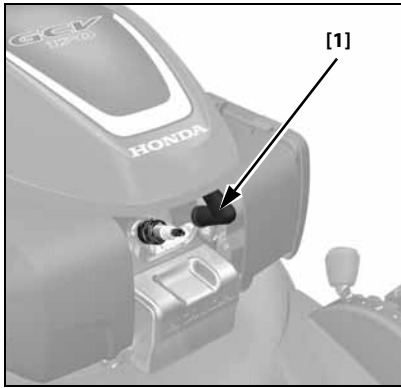


UNDERHÅLL



⚠ VARNING

För att undvika att gräsklipparen startar oavsiktligt, dra av tändstiftshatten [1] innan underhållsarbete utförs.



BETYDELSEN AV UNDERHÅLL

Bra underhåll är viktigt för säker, ekonomisk och problemfri drift. Det kommer också att bidra till att minska luftföroreningarna och se till att motorns emissionsprestanda fortsätter att uppfyllas.

För att hjälpa dig att sköta gräsklipparen på rätt sätt innehåller följande sidor ett underhållsschema, rutinkontroller och enkla underhållsprocedurer som kan utföras med hjälp av vanliga handverktyg. Andra serviceuppgifter som är svårare eller kräver specialverktyg hanteras bäst av proffs och utförs normalt av en Honda-tekniker eller annan kvalificerad mekaniker.

Underhållsschemat gäller för normala driftförhållanden. Om du använder gräsklipparen under ovanliga förhållanden kontakter du en auktoriserad Honda-återförsäljare för rekommendationer som gäller dina individuella behov och användning.

Kom ihåg att din serviceåterförsäljare känner till din gräsklippare bäst och är fullt utrustad för att underhålla och reparera den.

För att säkerställa bästa kvalitet och tillförlitlighet ska du endast använda nya originaldelar från Honda eller motsvarande för reparation och utbyte.

⚠ VARNING

Felaktigt underhåll eller underlåtenhet att åtgärda ett problem före användning kan orsaka ett fel där du kan skadas allvarligt eller dödas.

Följ alltid inspektions- och underhållsrekommendationerna och tidtabellerna i den här användarhandboken.

SÄKERHET VID UNDERHÅLL

Några av de viktigaste säkerhetsföreskrifterna följer. Vi kan dock inte varna dig för alla tänkbara risker som kan uppstå vid underhåll. Bara du kan bestämma om du ska utföra en viss uppgift eller inte.

⚠ VARNING

Underlåtenhet att följa underhållsinstruktioner och försiktighetsåtgärder kan leda till att du blir allvarligt skadad eller dödad.

Följ alltid procedurerna och försiktighetsåtgärderna i den här användarhandboken.

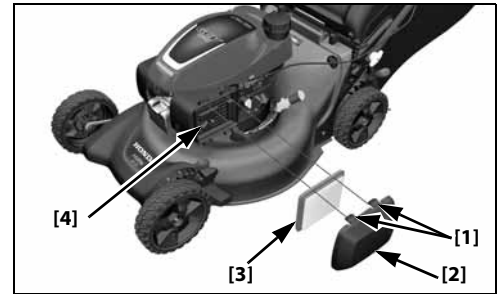
UNDERHÅLL AV LUFTFILTER

Ett korrekt underhållet luftfilter hjälper till att förhindra att smuts kommer in i motorn. Smuts som kommer in i förgasaren kan dras in i små passager i förgasaren och orsaka för tidigt motorslitage. Dessa små passager kan bli blockerade, vilket orsakar start- eller driftproblem. Det rekommenderas att man alltid använder ett Honda originalluftfilter som är specificerat för din motor för att säkerställa att det tätar och fungerar som avsett. Du måste rengöra filtret oftare om du kör motorn under mycket dammiga förhållanden.

OBS!

Om motorn körs utan luftfilter eller med ett skadat filter kommer smuts att tränga in i motorn och snabbt orsaka motorslitage. Den här typen av skador täcks inte av garantin.

1. Tryck ned flikarna på luftfilterkåpan [1] och ta sedan bort kåpan [2].
2. Ta bort filtret [3] från filterhuset [4].
3. Inspektera filtret och byt ut det om det är skadat.
4. Rengör filtret genom att knacka filtret flera gånger på en hård yta för att avlägsna smuts eller blås tryckluft (högst 2 Bar/29 psi) genom filtret från insidan. Försök aldrig borsta bort smuts. Borstning tvingar in smuts i fibrerna.
5. Torka av smuts från insidan av filterhuset och kåpan med en fuktig trasa. Var försiktig så att smuts inte kommer in i luftkanalen som leder till förgasaren.
6. Sätt tillbaka filtret och kåpan.



BYTE AV MOTOROLJA

Tappa ur oljan medan motorn är varm. Varm olja töms snabbt ut helt.



1. Stäng av bränsleventilen. Detta minskar risken för bränsleläckage (page 9).
2. Torka rent oljepåfyllningsområdet och ta sedan bort oljepåfyllningslocket/mätstickan.
3. Placera en lämplig behållare bredvid gräsklipparen för att fånga upp den använda oljan och luta sedan gräsklipparen på höger sida. Den använda oljan rinner ut genom påfyllningsröret. Låt oljan rinna ut helt.

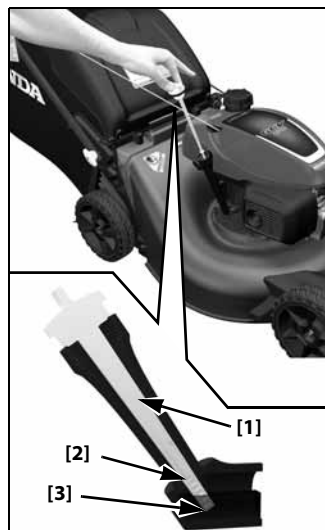


Kassera använd motorolja och behållare på ett sätt som är kompatibelt med miljön. Vi föreslår att du tar den i en förseglad behållare till ditt lokala återvinningscenter eller en servicestation för återvinning. Kasta den inte i soporna, håll den inte på marken och håll inte den i ett avlopp.

4. Fyll på med rekommenderad olja (page 7).
Påfyllningsmängd:
0,35~0,40 L
Överfyll inte.
Mät oljenivån enligt bilden nedan.
5. Efter byte av motorolja och innan motorn startas, kontrollera oljenivån med gräsklipparen på en plan yta:



- a. Ta bort påfyllningslocket/mätstickan [1].
- b. Torka av mätstickan.
- c. Sätt i och ta bort mätstickan utan att skruva in den i påfyllningsröret. Kontrollera oljenivån som visas på mätstickan.
- d. Om oljenivån är under markeringen för låg nivå [3] fyller du på olja för att nå den övre gränsmarkeringen [2] på mätstickan. Överfyll inte. Om motorn överfylls kan överflödiga olja överföras till luftfilterhuset och luftfiltret.



OBS!

Om motorn körs med låg oljenivå kan motorn skadas.
e. Skruva in påfyllningslocket/mätstickan ordentligt.

KONTROLLERA TÄNDSTIFTET

Nödvändiga tändstift:

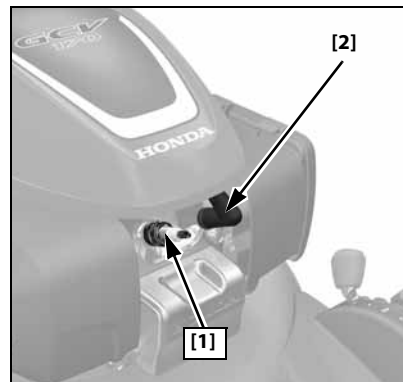
NGK - BPR5ES

OBS!

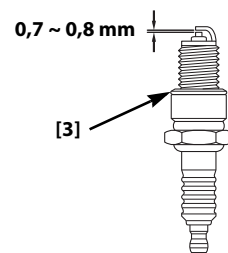
Felaktiga tändstift kan orsaka motorskador.

För goda prestanda måste tändstiftet [1] ha korrekt elektrodavstånd och vara fritt från avlagringar.

1. Koppla bort tändstiftshatten [2] och avlägsna all smuts från området runt tändstiftet.
2. Ta bort tändstiftet med en tändstiftsnyckel.



3. Inspektera tändstiftet. Byt ut det om elektroderna är slitna eller om isolatorn är sprucken eller kantstött.
4. Mät elektrodavståndet med en lämplig mätare. Avståndet ska vara 0,7 ~ 0,8 mm. Korrigera avståndet vid behov genom att försiktigt böja sidoelektroden.
5. Montera tändstiftet försiktigt för hand för att undvika gängfel.



6. När tändstiftet satt sig, dra åt med en tändstiftsnyckel för att trycka ihop brickan.

Om du monterar tillbaka det gamla tändstiftet, dra åt 1/8 till 1/4 varv efter att tändstiftet satt sig.

Om du monterar ett nytt tändstift, dra åt 1/2 varv efter att tändstiftet satt sig för att trycka ihop brickan [3].

ÅTDRAGNINGSMOMENT: 20 N•m

OBS!

Ett löst tändstift kan överhettas och skada motorn. Om tändstiftet dras åt för hårt kan gängorna i topplocket skadas.

7. Sätt fast tändstiftshatten på tändstiftet.

UNDERHÅLL AV GNISTSLÄCKARE (EXTRAUTRUSTNING)

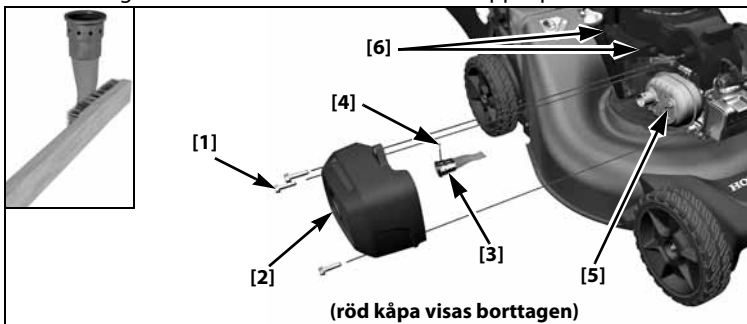
I Europa och andra länder där maskindirektivet 2006/42/EG tillämpas bör denna rengöring utföras av din serviceverkstad.

Gnistsläckaren måste underhållas var 100:e timme för att den ska fungera som den ska.

1. Låt motorn svalna.
2. Ta loss klipsen från de två röda övre täckflikarna [6] på ljuddämparens sida av motorn och lyft sedan försiktigt upp den röda övre kåpan för att exponera bulten till det övre ljuddämparskyddet.
3. Ta bort de tre bultarna [1] från ljuddämparskyddet [2] med en 10 mm-hylsnyckel.
4. Ta bort ljuddämparens skydd [2].
5. Ta bort ställskruven [4].
6. Ta bort gnistsläckaren [3] från ljuddämparen [5].
7. Kontrollera om det förekommer sotavlagringar på gnistsläckaren och avgasporten. Borsta bort kolavlagringar. Var försiktig så att du inte skadar gnistsläckargallret.
8. Montera gnistsläckaren i ljuddämparen.



9. Montera ljuddämparens skydd på motorn och dra åt de tre bultarna ordentligt och sätt sedan tillbaka den röda toppkåpan.



BORTTAGNING OCH MONTERING AV SKÄR

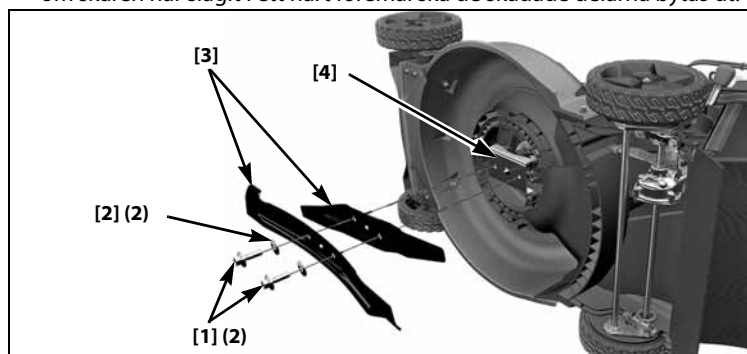
Om du tar bort skäret för slipning eller byte, behöver du en momentnyckel för installation. Använd kraftiga handskar för att skydda dina händer.

Klippning innebär SLIPNING: För att undvika att skäret försvagas eller orsaka obalans eller dålig klippning, bör skäret slipas av utbildad personal hos en auktoriserad Honda-återförsäljare.

Klippning innebär BYTE: Använd Honda originalskär eller motsvarande.

Borttagning

1. Stäng av bränsleventilen och koppla bort tändstiftshatten.
2. Luta gräsklipparen åt höger så att tanklocket hamnar uppåt. Detta hjälper till att förhindra bränsleläckage, att motorolja sipprar in i luftfiltret och att det blir svårt att starta.
3. Ta bort skärbultarna [1] och specialbrickorna [2] med en 14 mm (6-punkts) hylsnyckel. Använd tjocka läderhandskar och håll i skären [3] med handen för att förhindra att de roterar när bultarna tas bort. Ta bort skären.
4. Kontrollera att skärhållaren (VKEA) eller Roto-Stop-enheten (VYEA) [4] och skärens monteringsytor inte är skadade. Om skador upptäcks eller om skären har slagit i ett hårt föremål ska de skadade delarna bytas ut.



Installation

1. Avlägsna smuts och gräs från området runt skärets monteringsområde.
2. Montera båda skären [3] med de två skärbultarna [1] och specialbrickorna [2] enligt bilden. Se till att montera specialbrickorna med den konkava sidan mot skäret och den konvexa sidan mot bultskallen.

⚠ VARNING

Om du använder den här gräsklipparen med endast ett skär kommer det att resultera i ett felaktigt sittande skär som kan kastas ut från gräsklipparen och allvarligt skada eller döda någon.

Montera alltid båda skären som en uppsättning.

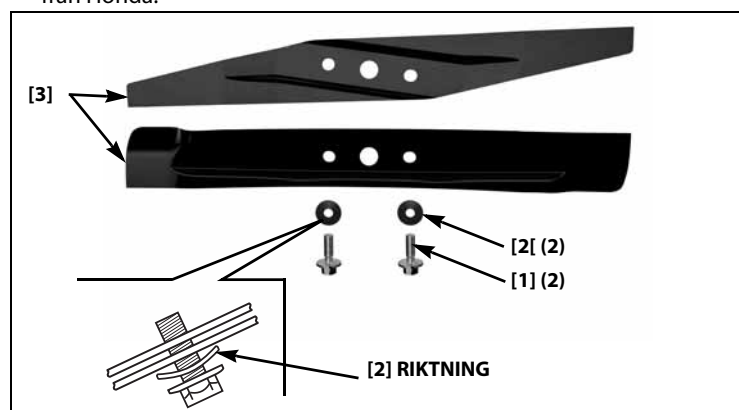
⚠ VARNING

Om skärbultarna inte dras åt ordentligt kan skären lossna och kastas ut från gräsklipparen.

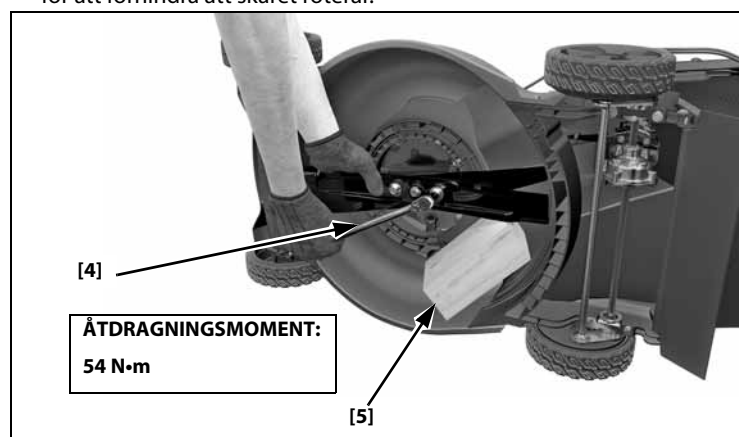
Skär som kastas ut från gräsklipparen kan allvarligt skada eller döda någon.

Se till att skärbultarna dras åt ordentligt.

Skärbultarna och brickorna är speciellt utformade för denna tillämpning. Vid byte av bultar och brickor, använd endast originaldelar från Honda.



3. Dra åt skärbultarna med en momentnyckel [4]. Använd ett träblock [5] för att förhindra att skäret roterar.



Skärens åtdragningsmoment: 54 N•m

Om du inte har någon momentnyckel ska du låta en auktoriserad Honda-återförsäljare dra åt skärbultarna innan du använder gräsklipparen. Om skärbultarna dras åt för hårt kan de gå sönder. Om skärbultarna inte dras åt tillräckligt kan de gängas upp eller lossna helt. I båda fallen finns det risk för att skäret flyger iväg medan du använder gräsklipparen.

Kontroll av skärbultar

Kontrollera om det finns några tecken på skador eller glapp i skärbultarna. Om de är skadade måste de bytas ut.

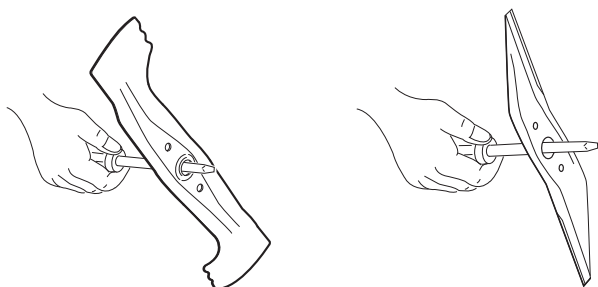
Om de verkar lösa måste en momentnyckel användas för att dra åt skärbultarna till föreskrivet moment. Om du inte har någon momentnyckel tar du gräsklipparen till en auktoriserad återförsäljare för att få bultarna utbyta eller åtdragna.

Använd endast Honda originalbultar och specialbrickor, eftersom de är särskilt utformade för detta ändamål. Reservdelnummer finns på page 17.

Kontrollera att brickor och bultskallar inte är lösa och skadade.



Byte av skär



OBSERVER:

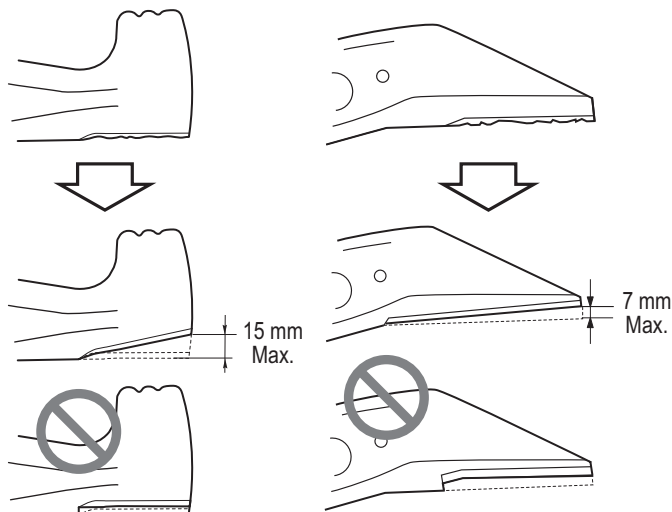
- Skärbalans är avgörande för att gräsklipparen ska fungera på rätt sätt. Byt ut skär som är skadade eller obalanserade.
- Använd endast originaldelar från Honda.

Klippning innebär slipning

OBSERVER:

- För att undvika att skären försvagas, så att de blir obalanserade eller får dålig klippkvalitet, bör skären slipas av kompetent personal hos din serviceverkstad.

- Slipning innebär att skärens eggar slipas med en fil. Fila endast den övre sidan. Bibehåll originalavfasningen för en fin skärkant. Fila båda ändarna jämnt för att bibehålla balansen mellan skären.
- Efter slipning, testa skärens balans med hjälp av en skruvmejsel, som visat ovan. Om någon av sidorna faller ned något ska den sidan filas. Byt ut skäret om det faller ned för mycket.



RENGÖRING OCH BYTE AV GRÄSUPPSAMLARE

Rengöring

Tvätta gräsuppsamlaren med en trädgårdsslang och låt den torka helt före användning. En våt uppsamlare sätts snabbt igen.

Byte

Byt ut en sliten eller skadad gräsuppsamlare mot en Honda-ersättningsdel eller motsvarande.

14 SV



FUNKTIONSKONTROLL AV SKÄREN

Endast VKEA-typ:

Starta motorn utomhus. Släpp spaken för skärkontroll. Motorn ska stanna snabbt. Om motorn inte stannar snabbt, ta gräsklipparen till en auktoriserad Honda-återförsäljare för reparation.

UNDERHÅLLSSCHEMA

Utför vid varje angiven månad/år eller driftstimmessintervall, beroende på vilket som inträffar först.

Objekt	Intervention	Frekvens					
		Före varje användning	Första månaden eller 5 timmar	Första 25 timmarna	Varje 6 månader eller 50 timmar	Varje år eller 100 timmar	Varje 2 år eller 150 drift timmar
Motorolja	Kontrollera	o					
	Byt		o		o ¹	o ¹	o ¹
Luftfilter	Kontrollera	o					
	Rengör			o ¹	o ¹	o ¹	
	Byt ut						o
Tändstift	Kontrollera/justera					o	
	Byt ut						o
Gnistsläckare ³ (i förekommande fall)	Rengör					o	o
Bränsletank ²	Rengör					o	o
Ventilspel ²	Justera					o	o
Bränsleledningar ²	Kontrollera (byt vid behov)	Varje 2 år					
Gräsuppsamlare	Kontrollera	o					
Skär	Kontrollera	o					
Funktionskontroll av skärkontrollen	Kontrollera	o				o	o
Bakre skydd	Kontrollera	o					
Skärbultar	Kontrollera	o					
Smart Drive-vajer ²	Justera			o	o	o	o
Roto-Stop-vajer (VYEA) ²	Justera			o		o	o
Gasvajer (VYEA) ²	Justera			o		o	o
Pinjongdrev ²	Smörj					o	o
Transmissions axels lager ²	Kontrollera						o

- Utför service oftare vid användning i dammiga miljöer.
- Dessa delar ska servas av en auktoriserad Honda-serviceverkstad, såvida du inte har rätt verktyg och är mekaniskt skicklig. Se Hondas verkstadshandbok för serviceprocedurer.
- I Europa och andra länder där maskindirektivet 2006/42/EG tillämpas bör denna rengöring utföras av din serviceverkstad.

Om du inte följer detta underhållsschema kan det leda till fel som inte täcks av garantin eller till sämre prestanda och att emissionskrav inte uppfylls.

FELSÖKNING

MOTORN STARTAR INTE

Möjlig orsak	Åtgärd
Bränsleventil i läge OFF	Vrid bränsleventilen till läge ON (page 9).
Slut på bränsle	Tanka (page 7).
Gasreglaget i fel läge (endast VYEA)	Flytta gasreglaget till läget FAST (page 10).
Dåligt bränsle. Gräsklipparen har förvarats utan att bensinen behandlats eller har tankats med dålig bensin	Fyll på med ny bensin (page 5).
Tändstiftet är defekt, smutsigt eller har felaktigt elektrodavstånd	Justera elektrodavståndet eller byt tändstift (page 12).
Tändstiftet är vått (flöddad motor)	Torka och sätt tillbaka tändstiftet.
Bränslefilteret är igensatt, fel på förgasaren, fel på tändningen, ventiler har fastnat etc.	Ta gräsklipparen till en auktoriserad Honda-återförsäljare eller se verkstadshandboken för reparation.

EFFEKT FÖRLUST

Möjlig orsak	Åtgärd
Gräset är för högt för att klippas	Höj klipphöjden (page 7), klipp en smalare sträng, använd en långsammare körhastighet eller klipp oftare.
Gasreglaget är inte inställt på FAST (endast VYEA)	Flytta gasreglaget till FAST (page 10).
Skärhöljet är igensatt	Rensa skärhöljet (page 10).
Luftfiltret är igensatt	Rengör eller byt luftfiltret
Dåligt bränsle. Gräsklipparen har förvarats utan att bensinen behandlats eller har tankats med dålig bensin	Fyll på med ny bensin (page 12).
Bränslefilteret är igensatt, fel på förgasaren, fel på tändningen, ventiler har fastnat etc.	Ta gräsklipparen till en auktoriserad Honda-återförsäljare eller se verkstadshandboken för reparation.

VIBRATION

Möjlig orsak	Åtgärd
Gräs och skräp har fastnat under skärhöljet	Rensa skärhöljet (page 10).
Skären sitter löst, är böjda, skadade eller obalanserade pga. felaktig slipning	Dra åt de lösa skärbultarna (page 13.) Om skären visar sig vara böjda eller skadade ska gräsklipparen lämnas in till en auktoriserad Honda-serviceverkstad för inspektion.
Mekaniska skador, t.ex. en böjd vevaxel	Ta gräsklipparen till en auktoriserad Honda-återförsäljare eller se verkstadshandboken för reparation.

PROBLEM MED KLIPPNING OCH UPPSAMLING

Möjlig orsak	Åtgärd
Gräsklipparen rör sig för snabbt för gräsmattans förhållanden	Applicera mindre tryck på Smart Drive-reglaget eller tryck långsammare.
Inställningsspakarna för klipphöjd är inställda på olika positioner	Ställ in båda spakarna på samma klipphöjds läge (page 7).
Gräsuppsamlaren är överfylld eller igensatt	Töm gräsuppsamlaren. Tvätta gräsuppsamlaren om den är igensatt av smuts (page 14).
Skärhöljet är igensatt	Rensa skärhöljet (page 10).
Skären är slöa, slitna eller skadade	Slipa eller byt ut skären vid behov (page 13).

FÖRVARING

Korrekt förvaring är viktigt för att gräsklipparen ska vara problemfri och se snygg ut. Följande steg hjälper dig att skydda gräsklipparen från rost och korrosion och gör motorn lättare att starta när du använder gräsklipparen igen.



RENGÖRING

Motor

Rengör motorn för hand med hjälp av en trasa och en borste.

OBS!

Om du använder en trädgårdsslang eller högtryckstvätt finns det en risk att vatten tränger in i luftfiltret. Vatten som kommer in i luftfiltret blöter ned pappersfiltret och kan tränga in i förgasaren eller motorcyklindern och orsaka skador. Vatten som kommer i kontakt med en het motor kan orsaka skador. Låt motorn svalna i minst en halvtimme före rengöring om den har varit igång.

Skärhölje

För att säkerställa en längre livslängd och effektivare drift måste gräsklipparens undersida hållas ren och fri från skräp i gräset genom rengöring med en borste och skrapa. Efter användning måste gräsklipparen rengöras noggrant innan den förvaras.

Innan du rengör undersidan av skärhöljet ska du se låta motorn svalna och kontrollera att bränsleventilen är i läge OFF. Ta bort tändhatten från tändstiftet. Luta gräsklipparen åt höger så att bränslepåfyllningslocket hamnar uppåt. Detta bidrar till att förhindra bränsleläckage och startproblem på grund av flödande förgasare. Använd kraftiga handskar för att skydda dina händer från skären.

Gräsuppsamlare

Ta bort uppsamlaren från gräsklipparen och tvätta den med en trädgårdsslang eller högtryckstvätt. Låt uppsamlaren torka helt före förvaring.

När gräsklipparen är ren och torr på eventuell skadad färg och täck över andra områden som kan rosta med en lätt oljefilm.

BRÄNSLE

OBS!

Beroende på i vilken region du använder utrustningen kan bränsleformuleringarna försämrats och oxidera snabbt. Bränsleförsämring och oxidering kan inträffa på så lite som 30 dagar och kan orsaka skador på förgasaren och/eller bränslesystemet. Kontakta din serviceåterförsäljare för rekommendationer om lokal förvaring.

Bensin oxiderar och försämrats vid förvaring. Gammal bensin kommer att leda till startproblem samt lämna gummiavlagringar som sätter igen de små passagerna i bränslesystemet. Om bensinen i gräsklipparen försämrats under förvaringen kan du behöva utföra service på eller byta ut förgasaren och andra delar i bränslesystemet.

Den tid som bensin kan lämnas i bränsletanken och förgasaren utan att orsaka funktionsproblem varierar med faktorer som bensinblandning, förvaringstemperaturer och om bränsletanken är helt eller delvis fylld. Luften i en delvis fylld bränsletank försämrar bränslet. Mycket varma förvaringstemperaturer påskyndar bränsleförsämringen. Problem med bränsleförsämring kan uppstå inom några månader, eller ännu mindre om bensinen inte var färsk när du fyllde på bränsletanken.

Om du förvarar en bensinbehållare för tankning ska du se till att den endast innehåller färsk bensin.

Om det tar mer än 3 månader att förbruka bränslet i förvaringsbehållaren föreslår vi att du lägger till en bränslestabilisator när du fyller behållaren.

Korttidsförvaring (30-90 dagar)

Om din gräsklippare inte ska användas i 30 till 90 dagar rekommenderar vi följande för att förhindra bränslerelaterade problem:

- Lägg till en bränslestabilisator enligt tillverkarens instruktioner.
När du lägger till en bränslestabilisator fyller du bränsletanken med ny bensin. Om den bara är delvis fylld kommer luft i tanken att leda till att bränslet försämrats under förvaringen.
Obs!
 - Alla stabilisatorer har ett bästföredatum och deras prestanda försämrats med tiden.
 - Bränslestabilisatorer åtgärdar inte gammalt bränsle.
- När du har lagt till en bränslestabilisator kör du motorn utomhus i 10 minuter för att vara säker på att den behandlade bensinen har ersatt den obehandlade bensinen i förgasaren.
- Stäng av motorn och vrid bränsleventilen till läge OFF.
- Starta motorn och fortsätt att köra motorn tills den stannar pga. bristen på bränsle i förgasarskålen. Körtiden bör vara mindre än 3 minuter.

Långtidsförvaring eller säsongsförvaring (mer än 90 dagar)

Starta motorn och låt den gå tillräckligt länge för att tömma all bensin från hela bränslesystemet (inklusive bränsletanken). Lämna inte kvar bensin i motorn i mer än 90 dagar utan aktivitet.

GARANTIN täcker inte skador på bränslesystemet eller problem med motorns prestanda som beror på att förvaringen inte har förberetts på rätt sätt.

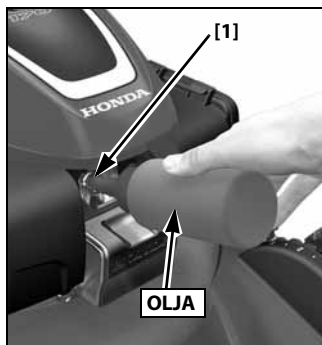
MOTOROLJA

Byt motorolja (page 12).

MOTORN CYLINDER

Om gräsklipparen ska förvaras i mer än 3 månader, ta bort tändstiftet (page 12). Häll i 5 ~ 10 cc ren motorolja i cylindern [1]. Dra i starthandtaget flera gånger för att fördela oljan i cylindern. Montera tillbaka tändstiftet.

Dra långsamt i starthandtaget tills du känner motstånd och för sedan tillbaka starthandtaget försiktigt. Detta stänger ventilerna så att fukt inte kan komma in i motorcyklindern.



PLACERA I FÖRVARING

Eftersom gräsklipparen ska förvaras med bensin i bränsletanken och förgasaren är det viktigt att minska risken för antändning av bensinångor. Välj ett välventilerat förvaringsutrymme på avstånd från alla apparater som eventuellt drivs med öppen låga, t.ex. smältugnar, varmvattenberedare eller torktumlare. Undvik även områden med gnistproducerande elmotorer eller där elverktyg används.

Undvik om möjligt förvaringsutrymmen med hög luftfuktighet, eftersom det främjar rost och korrosion.

Placera gräsklipparen med hjulen på ett plant underlag. Lutning kan orsaka bränsle- eller oljeläckage. Handtaget kan fällas ihop för kompakt förvaring (visas nedan).

När motorn och avgassystemet svalnat ska gräsklipparen täckas över för att hålla damm borta. En varm motor och avgassystem kan antända eller smälta vissa material. Använd inte plast som dammöverdrag. En icke porös kåpa fångar upp fukt runt gräsklipparen, som annars skulle kunna leda till rost och korrosion.

TA UT FRÅN FÖRVARING

Kontrollera gräsklipparen enligt anvisningarna i FÖRBEREDELSE OCH KONTROLLER FÖRE ANVÄNDNING (page 4).

Om cylindern täcktes med olja innan förvaringen kommer motorn att ryka kort vid start. Detta är normalt.

TRANSPORT

FÖRE LASTNING

Om motorn har varit igång, låt den svalna i minst 15 minuter innan du lastar gräsklipparen på transportfordonet. En varm motor och avgassystem kan bränna dig och antända vissa material.

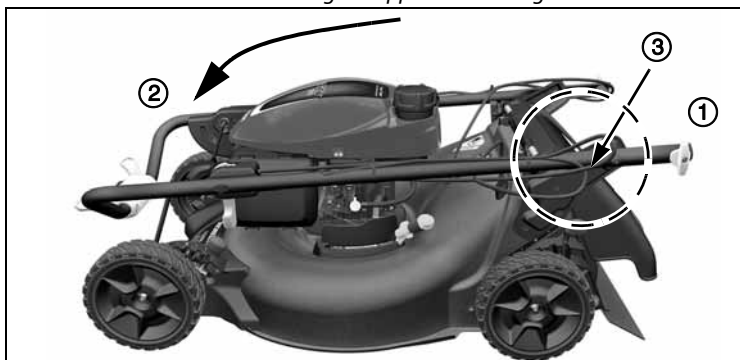
Vrid bränsleventilen till läge OFF (page 9). Detta förhindrar att förgasaren flödar över och minskar risken för bränsleläckage.

FÄLLNING AV HANDTAGET

- Ta bort gräsupsamlaren. Du kan placera den ovanpå motorn, med öppningen riktad framåt.
- Stötta upp och håll i handtaget.
- Lås upp handtagets justeringsvred ① och fäll handtaget framåt ② till förvaringsläget.

OBS!

Låt inte manövervajrarna ③ fastna eller klämmas när du fäller ned handtaget till förvaringsläget. Vajrarna eller motorstyrsystemet kan skadas vilket kan medföra att gräsklipparen inte fungerar som den ska.



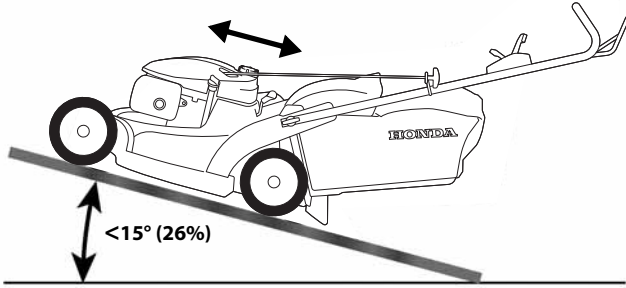
LASTNING OCH LOSSNING

Placera gräsklipparen så att alla fyra hjulen står stadigt på transportfordonet. Spänn fast gräsklipparen med rep eller remmar och blockera hjulen. Håll repen och remmarna borta från reglagen, justeringsspakarna, vajrarna och förgasaren.

OBS!

För att förhindra att förlora kontrollen över eller skada gräsklipparen ska du inte använda drivsystemet när du kör den upp eller ned på en lastramp.

1. Vrid bränsleventilen till läge OFF.
2. Använd en lämplig lastramp. Justera lastrampen så att den lutar i en vinkel på mindre än 15° (26%). Om en lastramp inte finns tillgänglig ska två personer lyfta gräsklipparen upp på resp. ned från transportfordonet samtidigt som gräsklipparen hålls i nivå.



ANVÄNDBAR INFORMATION

HITTA EN AUKTORISERAD ÅTERFÖRSÄLJARE

Se page 19.

AKTUELLA DELAR, TILLBEHÖR OCH FÖRBRUKNINGSPARTIKLAR

Om du vill köpa någon av de originaldelar som anges nedan eller någon annan del kontaktar du en auktoriserad Honda-återförsäljare.

Objekt	Artikelnummer	Kommentarer
Luftfilter	17211-Z8B-901	Papper
Tändstift	98079-55846	NGK (märke) BPR5ES
Skär:		Använd alltid ett övre och nedre skär som en uppsättning.
Nedre	72511-VR8-M00	
Övre	72531-VR8-M00	
Skärbult (2)	90105-960-710	2 krävs, 10 x 20 mm
Bultbricka (2)	90502-VG3-000	2 krävs
Hjul/däck	44710-VR8-N00	Fram
	42710-VR8-N00	Bak

! VARNING

För din säkerhet är det strängt förbjudet att installera något annat tillbehör än de som anges ovan och särskilt utformats för din modell och typ av gräsklippare.



TEKNISKA SPECIFIKATIONER

MODELL	HRN536C1	
TYP	VKEA	VYEA
BESKRIVNINGSKOD	MCHF	
FUNKTION	Klippning av gräs	
ALLMÄNT		
Dimensioner L x B x H	1 550 x 575 x 1 035 mm	
Torrsvikt	36 kg	40 kg
Klippbredd	530 mm	
Klipphöjdsinställningar	27 mm, 39 mm, 51 mm, 64 mm, 76 mm, 88 mm, 100 mm	
Gräsuppsamlarens kapacitet	70 l	
Ljudtrycksnivå vid användarens öron (enligt EN ISO5395-2:2013 + A1:2016 + A2:2017)	84,8 dB(A)	85,4 dB(A)
Osäkerhet	1 dB(A)	
Uppmätt ljudeffektnivå (enligt direktiven 2000/14/EG, 2005/88/EG)	96,68 dB(A)	96,33 dB(A)
Osäkerhet	0,78 dB(A)	0,64 dB(A)
Garanterad ljudeffektnivå (enligt direktiven 2000/14/EG, 2005/88/EG)	98 dB(A)	
Vibrationstest (enligt EN ISO5395-2:2013 + A1:2016 + A2:2017) *	3,87 m/s ²	5,39 m/s ²
Osäkerhet (EN12096)	0,45 m/s ²	0,63 m/s ²

MOTOR

Modell	GCV170A
Typ	4-takts, encylindrig, vertikal axel
Slagvolym	166 cc
Cylinderdiameter och slaglängd	60 x 59 mm
Kylning	Luft
Smörjning	Stänk och spray
Kompressionsförhållande	8,0:1
Maximalt motorvarvtal vid drift	2 950 ⁺⁰ / ₋₁₀₀ min ⁻¹
Nettoeffekt **	3,6 kW
Nominell effekt	3,2 kW
Tändningssystem	Transistoriserad magnet
Tändstift	NGK: BPR5ES
Tändstiftsgap	0,7 ~ 0,8 mm
Luftfilter	Torr element
Rekommenderat bränsle	Blyfri bensin E10
Bränsletankens kapacitet	0,91 l
Rekommenderad olja	SAE 5W-30, 10W-30, API SJ eller senare
Motoroljevolym	0,40 l *** Påfyllningsbar mängd: 0,35 ~ 0,40 l
Koldioxidutsläpp (CO2) ****	Se CO2-värdena för Honda-motorn på www.honda-engines-eu.com/co2

DRIVNING

Typ	Smart drivning med variabel hastighet
Motor till transmission	Kilrem
Primärkoppling	Slirande rem
Klipparens hastighet	0 ~ 1,7 m/s.
Rekommenderad vätska	SAE 10W-30, API SN eller senare

* Värdet för en maskin utrustad med gräsuppsamlare, i gräsuppsamlarläge.

** Märkeffekten för den motor som anges i detta dokument är den nettoeffekt som uppmätts för en produktionsmotor för motormodellen GCV170A och som mätts enligt SAE J1349 vid 3 600 min⁻¹ (nettoeffekt). Massproduktionsmotorer kan variera från detta värde. Den faktiska uteffekten för motorn som är installerad i den slutliga maskinen varierar beroende på många faktorer, inklusive motorns varvtal vid användning, miljöförhållanden, underhåll och andra variabler.

*** Den faktiska mängden varierar beroende på kvarvarande olja i motorn. Använd alltid mätstickan för att bekräfta den faktiska nivån (se page 7).

**** Denna CO₂-mätning är resultatet av tester över en fast testcykel under laborieförhållanden av en (n) (överordnad) motor som är representativ för motortypen (motorfamiljen) och ska inte implicera eller uttrycka någon garanti för en viss motors prestanda.

ÚVOD

Práve ste si kúpili ručne vedenú kosačku značky Honda! Ďakujeme vám za dôveru.

V tomto návode sa so svojou kosačkou oboznámite tak, aby ste ju mohli čo najlepšie používať a aby ste vedeli, ako sa o ňu starať.

Chceme, aby ste mohli naplno využiť výhody technologického pokroku, nových zariadení a materiálov aj naše skúsenosti. Práve preto naše modely pravidelne vylepšujeme. Technické údaje a informácie uvedené v tomto návode sa teda môžu zmeniť, a to aj bez predchádzajúceho upozornenia, pričom nie sme povinní ich aktualizovať.

Ak máte problém alebo otázku týkajúcu sa kosačky, kontaktujte svojho dodávateľa alebo autorizovaného predajcu značky Honda.

Tento návod majte vždy poruke, aby ste si ho mohli kedykoľvek pozrieť. Ak kosačku predávate, nezabudnite k nej priložiť aj tento návod.

Odporúčame vám prečítať si záručné podmienky, aby ste v plnej miere poznali svoje práva a povinnosti. Záruka predstavuje samostatný dokument, ktorý vám poskytne váš predajca.

Táto publikácia sa nesmie ani len čiastočne reprodukovat' bez písomného súhlasu.

BEZPEČNOSTNÉ UPOZORNENIA

V záujme vlastnej bezpečnosti a komfortnej obsluhy vám dôrazne odporúčame prečítať si celý tento návod.

Venujte pozornosť týmto symbolom a ich významu:

POZOR

Označuje vysoké nebezpečenstvo závažného zranenia alebo usmrtienia v prípade nedodržania pokynov.

VÝSTRAHA:

- Označuje možnosť zranenia osôb alebo poškodenia zariadenia v prípade nedodržania pokynov.

POZNÁMKA: Zdroj užitočných informácií.

UPOZORNENIE

Ak nebudete postupovať podľa pokynov, môžete dôjsť k poškodeniu vašej kosačky, iného majetku alebo životného prostredia.

Cieľom týchto upozornení je pomôcť predchádzať poškodeniu kosačky, iného majetku alebo životného prostredia.

OPIS KÓDOV POUŽITÝCH V TOMTO NÁVODE

HRN536C	VKEA	VYEA
S vlastným pohonom s prevodovkou s meniteľnými prevodmi . . .	•	•
Brzda žacích nožov	•	
Rotostop		•

SÉRIOVÉ ČÍSLO RÁMU A MOTORA

Nižšie si zapíšte sériové čísla rámu a motora (page 3). Tieto čísla budete potrebovať pri objednávaní dielov a pri technických alebo záručných otázkach.

Sériové číslo rámu: _____

Sériové číslo motora: _____

Dátum nákupu: ____/____/____

Honda France Manufacturing S.A.S. - Pôle 45 - Rue des Châtaigniers
45140 ORMES - FRANCÚZSKO - Všetky práva vyhradené

HONDA

NÁVOD NA POUŽITIE

(Preklad originálneho návodu na použitie)
HRN536C
Ručne vedená kosačka



Servis a podpora



<https://www.hondapps.com/HME/>

OBSAH

ÚVOD	1	ÚDRŽBA	11
BEZPEČNOSTNÉ UPOZORNENIA	1	VÝZNAM ÚDRŽBY	11
OPIS KÓDOV POUŽITÝCH V TOMTO NÁVODE	1	BEZPEČNOSŤ PRI ÚDRŽBE	11
SÉRIOVÉ ČÍSLO RÁMU A MOTORA	1	ÚDRŽBA VZDUCHOVÉHO FILTRA	11
BEZPEČNOSTNÉ POKYNY	2	VÝMENA MOTOROVÉHO OLEJA	12
BEZPEČNOSTNÉ ŠTÍTKY	3	KONTROLA SVIEČKY ZAPALOVANIA	12
IDENTIFIKÁCIA STROJA	3	ÚDRŽBA ZACHYTÁVAČA ISKIER (DOPLNKOVÉ PRÍSLUŠENSTVO)	12
VŠEOBECNÝ OPIS	4	VYBERANIE A INŠTALÁCIA ŽACIEHO NOŽA	13
PRÍPRAVA A KONTROLA PRED POUŽITÍM	4	ČISTENIE A VÝMENA ZBERNÉHO KOŠA	14
VYBALENIE	4	KONTROLA FUNKČNOSTI OVLÁDANIA ŽACIEHO NOŽA	14
ZOSTAVENIE RÚČKY	4	PLÁN ÚDRŽBY	14
KONTROLA ZADNÉHO KRYTU	4	ODSTRÁNOVANIE PORÚCH	15
KONTROLA ZBERNÉHO KOŠA	5	MOTOR SA NEDÁ NAŠTARTOVAŤ	15
KONTROLA HLADINY PALIVA	5	STRATA VÝKONU	15
KONTROLA VZDUCHOVÉHO FILTRA	6	VIBRÁCIE	15
KONTROLA STAVU ŽACIEHO NOŽA	6	PROBLÉMY S KOSENÍM A ZBEROM TRÁVY	15
NASTAVENIE VÝŠKY KOSENIA	6	USKLADNENIE	15
KONTROLA HLADINY MOTOROVÉHO OLEJA	7	ČISTENIE	15
VÝBER REŽIMU KOSENIA	7	PALIVO	16
ŠTARTOVANIE A ZASTAVENIE MOTORA	8	MOTOROVÝ OLEJ	16
BEZPEČNOSTNÉ OPATRENIA PRI KOSENÍ	8	VALEC MOTORA	16
FREKVENCIA POUŽITIA	8	UMIESTNENIE PRI USKLADNENÍ	16
ŠTARTOVANIE MOTORA	8	VYBRATIE PO USKLADNENÍ	16
ZASTAVENIE MOTORA	8	PREPRAVA	16
RADY A TIPY PRI OBSLUHE	8	PRED NALOŽENÍM	16
POUŽÍVANIE KOSAČKY VO VYSOKEJ NADMORSKEJ VÝŠKE	8	ZLOŽENIE RÚČKY	16
BEZPEČNÉ POSTUPY KOSENIA	9	NAKLADANIE A VYKLADANIE	17
OBSLUHA OVLÁDACÍCH PRVKOV PRI KOSENÍ	9	UŽITOČNÉ INFORMÁCIE	17
TIPY NA KOSENIE	10	NÁJDITE AUTORIZOVANÉHO PREDAJCU	17
		AKTUÁLNE DIELY, DOPLNKOVÉ PRÍSLUŠENSTVO A SPOTREBNÝ MATERIÁL	17
		TECHNICKÉ ÚDAJE	17

BEZPEČNOSTNÉ POKYNY

V záujme vlastnej bezpečnosti a komfortnej obsluhy vám dôrazne odporúčame prečítať si celý tento návod.

Venujte pozornosť týmto symbolom a ich významu:



Označuje vysoké nebezpečenstvo závažného zranenia alebo smrti v prípade nedodržania pokynov.

VÝSTRAHA:

- Označuje možnosť zranenia osôb alebo poškodenia zariadenia v prípade nedodržania pokynov.

POZNÁMKA: Zdroj užitočných informácií.



Tento znak vás upozorňuje, aby ste boli pri určitých operáciách opatrní. Podľa bodu (bodov) uvedených v políčku si nájdite a prečítajte bezpečnostné pokyny na nasledujúcich stranách.

ODBORNÁ PRÍPRAVA

- A1. Pred použitím si pozorne prečítajte pokyny. Oboznámte sa s ovládacími prvkami a správnym používaním zariadenia. Naučte sa rýchlo zastaviť motor.
- A2. Kosačku používajte len na účely, na ktoré je určená, teda na kosenie a zber trávy. Akékoľvek iné použitie by mohlo byť nebezpečné alebo by mohlo poškodiť zariadenie.
- A3. Nikdy nedovoľte obsluhovať kosačku deťom alebo osobám, ktoré neboli oboznámené s týmito pokynmi. Miestne predpisy môžu obmedzovať minimálny vek používateľa.
- A4. Nikdy nekoste, keď sú nablízku ľudia, najmä deti, alebo zvieratá. Nikdy stroj nepoužívajte, keď je obsluhujúca osoba unavená, chorá alebo požíla lieky, drogy, alkohol alebo nebezpečné látky, ktoré by mohli narušiť jej schopnosť reflexov a koncentrácie. Stroj nikdy nepoužívajte v prípade rizika nepriaznivého počasia, ako sú blesky alebo búrky. Obsluhu hneď zastavte.
- A5. Nezabudnite, že majiteľ alebo používateľ je zodpovedný za nehody a nebezpečenstvo voči iným osobám alebo ich majetku.
- A6. Kosačku sa nikdy nepokúšajte upravovať. Mohlo by dôjsť k nehode, ako aj poškodeniu kosačky. Zásahom do motora zaniká platnosť typového schválenia EÚ tohto motora.
 - K tlmiču výfuku nepripájajte predĺžovací prvok.
 - Neupravujte nasávací systém.
 - Nenastavujte regulátor.
- A7. Stroj je vybavený bezpečnostnými zariadeniami, ktoré sa nikdy nesmú upravovať ani odstraňovať, inak môže dôjsť k zániku záruky a k oslobodeniu výrobcu od akejkoľvek zodpovednosti. Pred použitím stroja vždy skontrolujte, či fungujú bezpečnostné zariadenia.

PRÍPRAVA

- B1. Pri kosení majte vždy obuté pevné bezpečnostné topánky a oblečené dlhé nepadavé nohavice. Zariadenie neprevádzkujte naboso, ani ak máte obuté sandále. Vyhnite sa noseniu retiazok, náramkov alebo voľného odevu s uvoľnenými časťami alebo so šnurovaním alebo zaväzovaním na krku. Dlhé vlasy musia byť zopnuté. Vždy noste prilbu proti hluku.
- B2. Dôkladne skontrolujte oblasť, kde sa bude zariadenie používať, a odstráňte všetky predmety, ktoré môže stroj vymrštiť (kamene, konáre, drôty, kosti atď...).
- B3. **POZOR** – Benzín je veľmi horľavý.
 - Palivo skladujte len v špeciálne určených nádobách.
 - Palivo doplňajte len vonku, pred naštartovaním motora a pri dolievaní alebo manipulácii s palivom nefajčite.
 - Nikdy neodstraňujte uzáver palivovej nádrže ani nedolievajte benzín, keď je motor spustený alebo keď je motor horúci.
 - V prípade vylitia benzínu motor neštartujte, ale preneste kosačku mimo oblasti s vyliatym benzínom a zabráňte tvorbe iskrenia v tejto oblasti, kým sa výpary benzínu neodparia.
 - Uzavery palivovej nádrže a nádoby na benzín vždy riadne uzavrite.
 - Pred naklonením kosačky pri údržbe žacieho noža alebo pri vypúšťaní oleja odstráňte palivo z nádrže.
- B4. Vymeňte chybné tlmiče.
- B5. Pred použitím stroj vždy vizuálne skontrolujte, najmä aby ste zistili, či nedošlo k opotrebovaniu alebo poškodeniu žacieho noža, skrutiek žacieho noža a zostavy žacieho noža. Opotrebovaný alebo poškodený žací nôž a skrutky žacieho noža vymeňte ako celú súpravu, aby ste zachovali vyváženosť.

PREVÁDZKA

- C1. Motor neprevádzkujte v uzavretých miestnostiach, kde by sa mohol hromadiť nebezpečný kyslíčnik uhoľnatý.
- C2. Kosačku používajte iba pri dennom svetle alebo pri dobrom umelom osvetlení. Dodržiavajte právne predpisy, ktoré sa môžu v jednotlivých regiónoch líšiť.
- C3. Ak existuje riziko nepriaznivého počasia, ako sú blesky alebo búrky, prestaňte s kosačkou pracovať.
- C4. Ak je to možné, zariadenie nepoužívajte na mokrej trávě.
- C5. Pri kosení vždy udržiavajte bezpečnú vzdialenosť od žacieho noža, ktorú indikuje dĺžka rúčky.
- C6. S kosačkou nebežte. Nedovoľte, aby vás kosačka ťahala.
- C7. Na svahu majte vždy istý postoj. Na svahu koste horizontálne, nikdy nie smerom hore a dolu.
- C8. Nezabudnite, že prevádzkovateľ alebo používateľ je zodpovedný za nehody a nečakané udalosti voči iným osobám alebo ich majetku. Používateľ je zodpovedný za kontrolu možných rizík súvisiacich s povrchom, na ktorom sa má pracovať, a za prijatie všetkých opatrení potrebných na zaistenie vlastnej bezpečnosti a bezpečnosti iných, najmä na svahovitom, nerovnom, klzkom alebo nestabilnom teréne alebo v blízkosti jám, priekop alebo brehov.
- C9. Nekoste svahy so sklonom väčším ako 20° (36 %).
- C10. Venujte zvýšenú pozornosť pri priťahovaní kosačky na trávę k sebe.
- C11. Ak musíte kosačku na trávę pred prepravou nakloniť, ak ju premiestňujete cez iný povrch, ako je trávę, a keď presúvate kosačku na miesto alebo z miesta kosenia, zastavte žací nôž.
- C12. Nikdy nepoužívajte kosačku na trávę s poškodenými ochrannými krytmi alebo krytmi žacieho noža alebo bez bezpečnostných prvkov, ako je kryt a/alebo zberný kôš.
- C13. Nezasahujte do regulátora otáčok motora ani motor nevytáčajte do príliš vysokých otáčok.
- C14. Pred štartovaním motora odpojte všetky ovládacie prvky žacieho noža (modely vybavené funkciou Rotostop) a spojku pohonu (modely s vlastným pohonom).
- C15. Motor štartujte presne podľa pokynov a s nohami vždy v bezpečnej vzdialenosti od žacieho noža.
- C16. Pri štartovaní motora kosačku nenakláňajte. Kosačku štartujte na vodorovnom povrchu, bez vysokej trávy a prekážok.
- C17. Nohy a ruky držte v bezpečnej vzdialenosti od rotujúcich častí. Nikdy neštartujte motor, keď stojíte pred otvorom na vyhadzovanie trávy.
- C18. Nikdy nedvíhajte ani neprenášajte kosačku na trávę, keď beží motor.
- C19. V nasledovných prípadoch zastavte motor a odpojte konektor sviečky zapalovania:
 - Pred akýmkoľvek úkonom pod krytom žacieho noža alebo otvorom na vyhadzovanie trávy.
 - Pred kontrolou, čistením alebo údržbou kosačky.
 - Po náraze na cudzí predmet. Skontrolujte kosačku, či nie je poškodená, a pred jej ďalším štartovaním a použitím vykonajte opravu.
 - Ak kosačka začne nezvyčajne vibrovať. Hneď zistite príčinu vibrácií a vykonajte potrebnú opravu.
- C20. Motor zastavte v nasledovných prípadoch:
 - Vždy, keď necháte kosačku bez dozoru.
 - Pred dopĺňaním paliva do kosačky.
- C21. V nasledovných prípadoch zastavte žací nôž (modely vybavené zariadením Rotostop):
 - Pri inštalácii alebo vyberaní zberného koša na trávę.
 - Pred nastavovaním výšky kosenia.
- C22. Pri zastavovaní motora uberte plyn. Uzavrite škrtiaci ventil paliva.
- C23. Použitie iných doplnkov, než sú odporúčané v tomto návode, môže spôsobiť poškodenie kosačky a takéto poškodenie nie je kryté zárukou.
- C24. **VÝSTRAHA**
Úrovně hluku a vibrácií uvedené v tomto návode sú maximálne hodnoty pre používanie tohto stroja. Použitie nevyváženého žacieho noža, príliš vysoká rýchlosť pojazdu alebo nedostatočná údržba majú významný vplyv na emisie hluku a vibrácií. Je preto potrebné prijať preventívne opatrenia na odstránenie všetkých možných škôd spôsobených vysokými hladinami hluku a namáhaním v dôsledku vibrácií. Prosím, zaistite dobrú údržbu kosačky a používajte protihlukovú prilbu. Pri práci si robte prestávky.

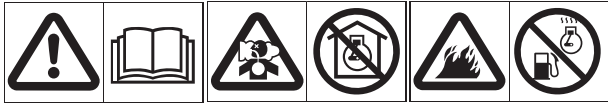
ÚDRŽBA A USKLADNENIE

- D1. Všetky matice a skrutky dotahujte, aby ste zaistili bezpečnú prevádzku zariadenia. Pravidelná údržba je jedným zo základných predpokladov pre bezpečnosť používateľa a zachovanie vysokého výkonu.
- D2. Nikdy neskladujte zariadenie s benzínom v nádrži v uzavretých priestoroch, kde by sa mohli palivové výpary dostať do kontaktu s otvoreným ohňom, iskrami alebo zdrojom vysokej teploty.
- D3. Pred uskladnením kosačky trávy v akomkoľvek uzavretom priestore nechajte jej motor vychladnúť.
- D4. Aby ste znížili riziko požiaru, nedovoľte, aby boli kosačka (najmä motor a tlmíč) a priestor na skladovanie benzínu, znečistené trávou, lístím alebo nadmerným množstvom maziva. Nenechávajte nádobu s pokosenou trávou v budovách alebo v ich blízkosti.
- D5. Ak je potrebné vypustiť z nádrže palivo, urobte tak na otvorenom priestranstve a so studeným motorom.
- D6. Pravidelne kontrolujte, či zberný kôš nie je opotrebovaný alebo poškodený.
- D7. Kosačku s opotrebovanými alebo poškodenými dielmi nepoužívajte. Poškodené alebo opotrebované diely neopravujte, ale vymeňte. Poškodené alebo opotrebované diely vymeňte za originálne diely značky Honda. Žacie nože musia byť vždy označené značkou Honda a referenčným číslom. Diely, ktoré nemajú zodpovedajúcu kvalitu, môžu poškodiť zariadenie a môžu ohroziť vašu bezpečnosť.
- D8. Pri vyberaní a inštalácii žacieho noža alebo pri čistení korpusu kosačky používajte hrubé pracovné rukavice. Pri dotahovaní alebo uvoľňovaní skrutiek žacieho noža použite drevený hranol, aby ste zabránili rotácii noža.
- D9. Po každom brúsení žacieho noža prekontrolujte jeho správne vyváženie.

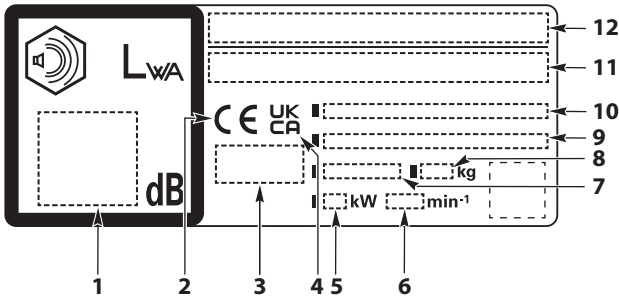
BEZPEČNOSTNÉ ŠTÍTKY

Tieto štítky vás upozorňujú na potenciálne nebezpečenstvo, ktoré môže viesť k vážnemu úrazu. Pozorne si prečítajte ich význam. Ak sa niektorý zo štítkov stane nečitateľným alebo sa odlepí, požiadajte svojho servisného zástupcu o jeho výmenu.

Písmeno	Význam
A	 <p>1. Pozor: Pred použitím kosačky si prečítajte návod na použitie.</p> <p>2. Nebezpečenstvo vymrštených predmetov: Počas použitia zabezpečte, aby boli iné osoby mimo oblasti kosenia.</p> <p>3. Nebezpečenstvo porezania. Rotujúce nože: Nedávajte ruky ani nohy do korpusu kosačky. Pred akoukoľvek údržbou alebo opravou odpojte sviečku zapalovania.</p> <p>4. Kosačku nepoužívajte bez nasadeného krytu výstupného otvoru alebo nasadeného zberného koša na trávku.</p>

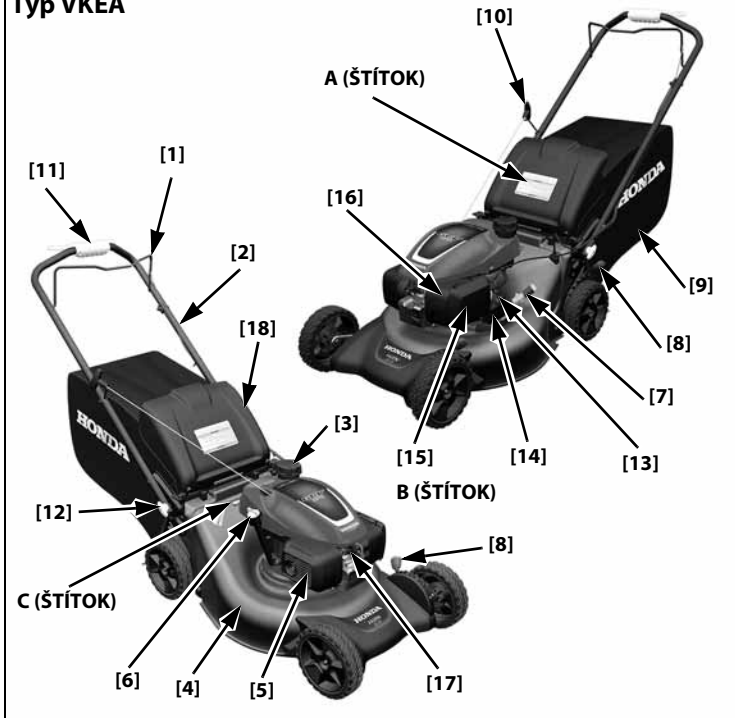
B	 <p>5. Pozor: Pred použitím kosačky si prečítajte návod na použitie.</p> <p>6. Motor vypúšťa jedovatý kyslíčnik uhoľnatý. Nespúšťajte ho v uzavretých priestoroch.</p> <p>7. Benzín je vysoko horľavý. Pred dopĺňaním paliva zastavte motor.</p>
---	--

IDENTIFIKÁCIA STROJA

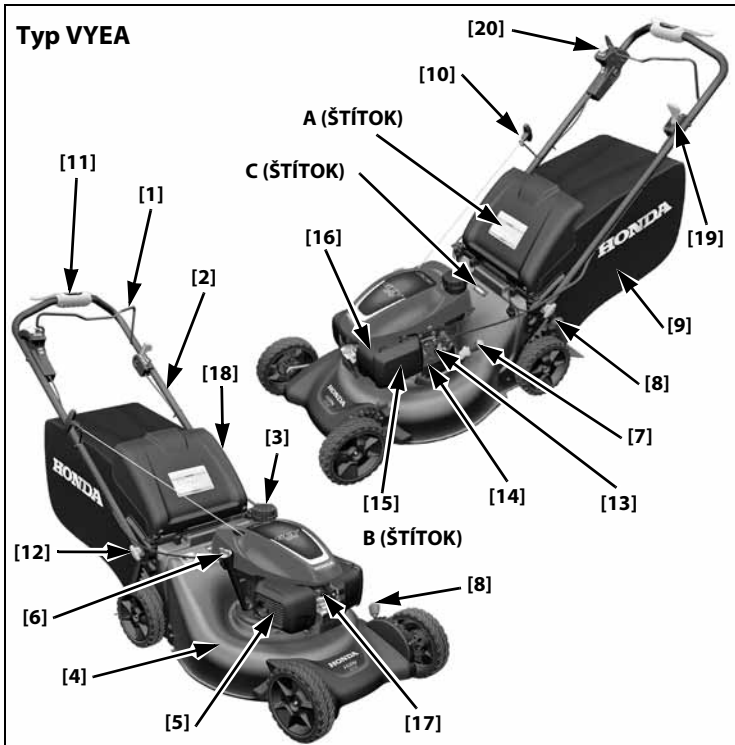
Písmeno	Význam
C	 <p>1. Hladina akustického výkonu</p> <p>2. Označenie CE</p> <p>3. Nepovinné označenie zhody</p> <p>4. Označenie zhody platné v Spojenom kráľovstve (pre Spojené kráľovstvo)</p> <p>5. Nominálny výkon v kilowattoch</p> <p>6. Odporúčané otáčky motora v min^{-1}</p> <p>7. Mesiac a rok výroby</p> <p>8. Hmotnosť v kilogramoch (s prázdnyimi nádržami)</p> <p>9. Sériové číslo rámu (Typ a sériové číslo uvedené vo vyhlásení o zhode)</p> <p>10. Model – Typ</p> <p>11. Názov a adresa autorizovaného zástupcu</p> <p>12. Názov a adresa výrobcu</p>

VŠEOBECNÝ OPIS

Typ VKEA



Typ VYEA



1	Páka na ovládanie žacieho noža (Štartuje a zastavuje žací nôž)	11	Ovládanie Smart Drive
2	Rúčka	12	Doťahovacia hlavica rúčky (2)
3	Uzáver palivovej nádrže	13	Palivový ventil
4	Kryt žacích nožov	14	Sériové číslo motora
5	Tlmič výfuku	15	Vzduchový filter
6	Uzáver olejovej nádrže	16	Karburátor
7	Páka voľby režimu vyhadzovania Clip Director	17	Konektor sviečky zapalovania
8	Páka nastavenia výšky kosenia (2)	18	Kryt výstupného otvoru
9	Zberný kôš	19	Ovládacia páka plynu (VYEA)
10	Rukoväť štartéra	20	Tlačidlo na zastavenie rotácie Roto-Stop (VYEA)

PRÍPRAVA A KONTROLA PRED POUŽITÍM

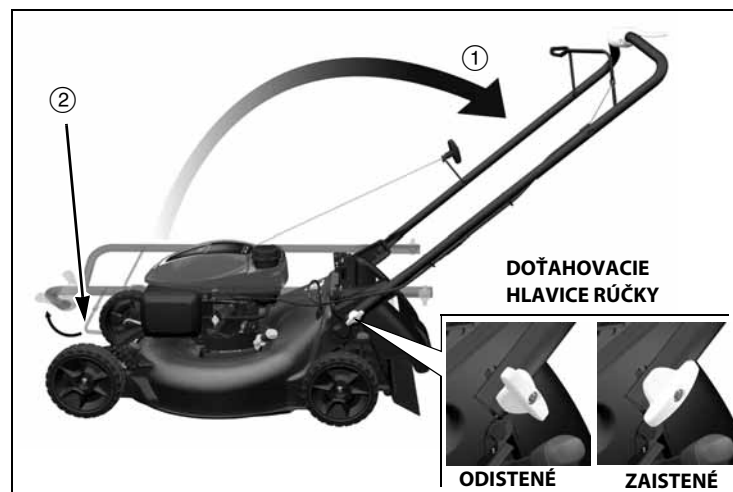


VYBALENIE

Odstráňte všetok kartónový obal z okolia rúčky.

ZOSTAVENIE RÚČKY

Otočte doťahovacie hlavice rúčky do odistenej polohy a potom opatrne podvihnite rúčku do polohy na kosenie ①. Pri type VKEA musíte páku ovládania žacích nožov ② pritiahnuť k rúčke.



Doťahovacie hlavice zarovnajte s jedným z dvoch otvorov na každej rukoväti. Nastavením doťahovacích hlavíc do najnižších otvorov zdvihnete rúčku do najvyššej polohy.

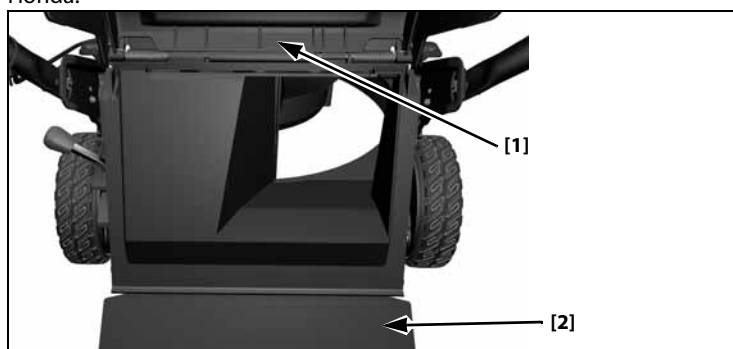
Otočte doťahovacie hlavice o 90 stupňov do zaistenej polohy a uistite sa, že sú obe strany v rovnakej výške.

UPOZORNENIE

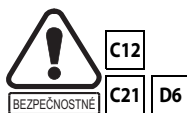
Pri zostavovaní rúčky si dajte pozor, aby sa nezachytili, neprivreli alebo nezalomili ovládacie lanká. Mohli by sa poškodiť a rovnako by to mohlo poškodiť riadiaci systém motora.

KONTROLA ZADNÉHO KRYTU

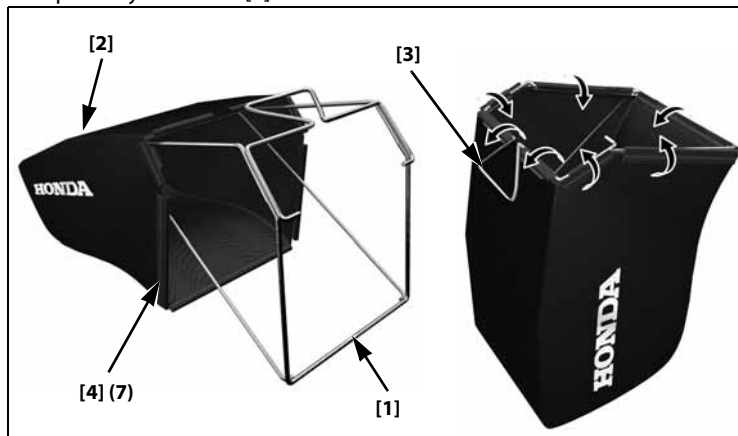
Pri bežnom používaní podlieha zadný štít poškodeniu a opotrebovaniu. Ak chcete skontrolovať, či zadný kryt [2] nie je prasknutý alebo deravý, vyberte zberný kôš a zdvihnite kryt výstupného otvoru [1]. Ak je zadný kryt nadmerne opotrebovaný, nechajte ho vymeniť v autorizovanom servise Honda.



KONTROLA ZBERNÉHO KOŠA



1. Zostavený rám [1] nasadíte do látkového zberného koša [2], ale rukoväť zberného koša [3] pri tom nezakrývajte.
2. Na upevnenie látkového zberného koša k rámu zaistíte sedem plastových svoriek [4].



Kosačka pracuje na podobnom princípe ako vysávač. Fúka vzduch cez zberný kôš, ktorý zachytí odrezky trávy. Vždy vyprázdnete zberný kôš na trávu predtým, než sa naplní po limit svojej kapacity. Výkon zberného koša sa zníži po tom, čo sa kôš naplní na 90 %. Zberný kôš sa navyše ľahšie vyprázdňuje, keď nie je úplne plný.

Kontrola

Materiál zberného koša sa pri bežnom používaní opotrebuje a jeho kvalita sa zhoršuje.

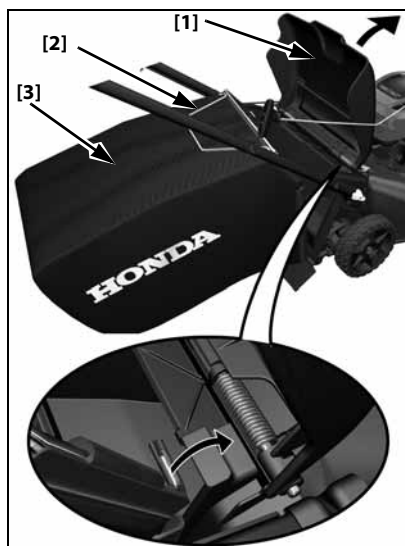
UPOZORNENIE

Pravidelne kontrolujte, či zberný kôš na trávu nie je natrhnutý, deravý a príliš opotrebovaný. V prípade potreby ho vymeňte. Presvedčte sa, že nový zberný kôš spĺňa pôvodné špecifikácie.

Ak zberný kôš potrebujete vymeniť, môžete ho sami odobrať a nainštalovať (page 14).

Inštalácia

1. Nadvihnite kryt výstupného otvoru [1], použite rukoväť zberného koša [2] a zaveste zberný kôš [3] na korpus kosačky ako na obrázku.
2. Uvoľnite kryt výstupného otvoru a zaistíte zberný kôš.



Vyberanie

1. Nadvihnite kryt výstupného otvoru, uchopíte rukoväť zberného koša a vyberte ho.
2. Uvoľnite kryt výstupného otvoru.
3. Keď je zberný kôš uvoľnený od krytu, môžete ho vybrať cez medzeru v rúčke, alebo ho môžete vytiahnuť zo zadu kosačky pod rúčkou.

KONTROLA HLADINY PALIVA



Tento motor je certifikovaný pre prevádzku s bezolovnatým benzínom s oktánovým číslom 91 alebo vyšším.

Špecifikácie paliva potrebné na udržanie výkonu systému regulácie emisií: Palivo E10 uvedené v predpisoch EÚ.

Palivo odporúčame dopĺňať po každom použití, aby sa minimalizovalo množstvo vzduchu v palivovej nádrži.

Palivo dopĺňajte na dobre vetranom mieste pred naštartovaním motora. Ak motor bežal, nechajte ho vychladnúť. Nikdy nedopĺňajte palivo do kosačky vnútri budovy, kde by sa mohli palivové výpary dostať k plameňu alebo iskrám.

Môžete použiť bezolovnatý benzín, ktorý objemovo neobsahuje viac ako 10 % etanolu (E10) alebo 5 % metanolu. Metanol musí navyše obsahovať aj korozpúšťadlá a inhibitory korózie. Použitie paliva s vyšším než uvedeným obsahom metanolu alebo etanolu môže spôsobiť problémy so štartovaním a/alebo výkonom. Môže tiež poškodiť kovové, gumené a plastové časti palivového systému. Etanol je navyše hygroskopický. To znamená, že pohlcuje a drží vodu v palivovom systéme. Poškodenia motora alebo prevádzkové problémy spôsobené použitím paliva, ktoré obsahuje vyšší ako uvedený podiel etanolu alebo metanolu, nie sú kryté zárukou. Na zachovanie výkonu systému riadenia emisií je potrebné používať vyššie uvedené palivo.

Ak budete zariadenie používať zriedka alebo nepravidelne (viac ako 4 týždne pred ďalším použitím), prečítajte si, prosím, časť *Palivo* v kapitole USKLADNENIE (page 16), kde sú uvedené ďalšie informácie o zhoršovaní kvality paliva.

⚠ POZOR

Benzín je veľmi horľavý a výbušný.

Pri manipulácii s palivom sa môžete popáliť alebo vážne zraniť.

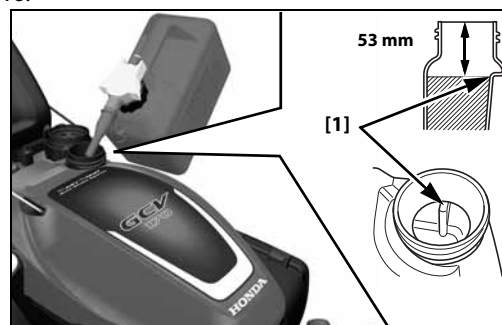
- Zastavte motor a nechajte ho vychladnúť.
- Vyvarujte sa vysokej teplote, iskreniu a ohňu.
- S palivom manipulujte iba vonku.
- Rozliate palivo okamžite utrite.

Nikdy nepoužívajte starý alebo znečistený benzín alebo zmes oleja s benzínom. Zabráňte zaneseniu nečistôt, prachu alebo vody do palivovej nádrže.

UPOZORNENIE

Palivo môže poškodiť lak a plasty. Pri plnení palivovej nádrže postupujte opatrne, aby ste palivo nevyliali. Poškodenia spôsobené vyliatym palivom nie sú kryté zárukou.

Odskrutkujte uzáver palivovej nádrže a skontrolujte hladinu paliva. Ak je hladina paliva nízka, doplňte nádrž [1] po horný limit. Dbajte na to, aby ste palivo nerozliali. Nádrž neprepĺňajte. V plniacom hrdle by nemalo byť žiadne palivo.



Po doplnení paliva riadne dotiahnite uzáver palivovej nádrže.

Pred naštartovaním motora presuňte kosačku aspoň 3 metre od plniaceho zdroja a miesta dopĺňania.

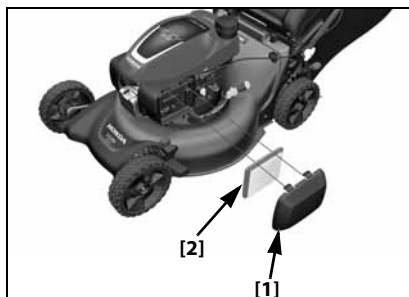
Nádoba na skladovanie paliva

Benzín skladujte v čistej, plastovej, uzavretej nádobe schválenej na skladovanie paliva. Ak ju nepoužívate, uzavrite vetrací otvor (ak je prítomný) a uskladnite ju mimo dosahu priamych slnečných lúčov. Ak bude palivo uskladnené v nádobe dlhšie ako 3 mesiace, odporúčame pridať do paliva stabilizátor paliva.

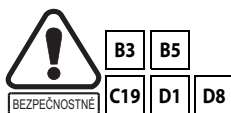


KONTROLA VZDUCHOVÉHO FILTRA

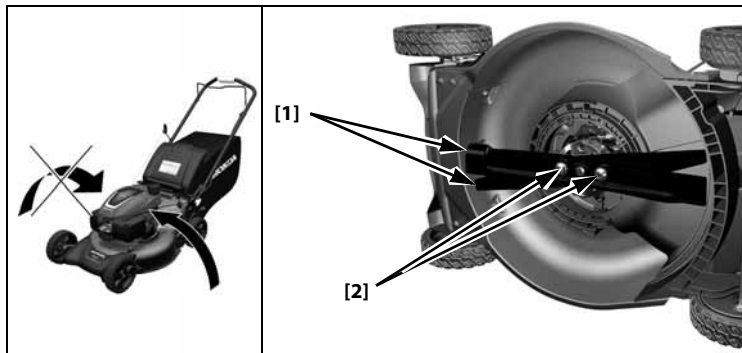
Odstráňte kryt [1]. Presvedčte sa, že je filter [2] čistý a v dobrom stave. Znečistený vzduchový filter obmedzí prívod vzduchu do karburátora a zníži výkon motora. Údržbu vzduchového filtra nájdete na page 11.



KONTROLA STAVU ŽACIEHO NOŽA



1. Palivový ventil otočte do polohy OFF (uzavretý) (page 9) a odpojte konektor sviečky zapalovania zo sviečky zapalovania (page 12).
2. Nakloňte kosačku doprava tak, aby bol uzáver palivovej nádrže hore. Predídete tak vytekaniu paliva, presakovaniu motorového oleja do vzduchového filtra a následným ťažkostiam pri štartovaní.
3. Skontrolujte, či žacie nože [1] a ich skrutky [2] nie sú poškodené, prasknuté, opotrebované alebo zhrdzavené.



POZOR

Opotrebovaný, prasknutý alebo poškodený žací nôž sa môže zlomiť a kusky poškodeného noža sa môžu zmeniť na nebezpečné projektily.

Vymrštené predmety môžu spôsobiť vážne poranenia.

Pravidelne kontrolujte žací nôž a kosačku s opotrebovaným alebo poškodeným žacím nožom nepoužívajte.

Tupý žací nôž sa dá naostriť, ale opotrebovaný, ohnutý, prasknutý alebo inak poškodený žací nôž sa musí vymeniť. Opotrebovaný alebo poškodený žací nôž sa môže zlomiť a kosačka môže kúsky noža vymrštiť.

Ak je potrebné žací nôž naostriť alebo vymeniť, odneste kosačku k autorizovanému predajcovi značky Honda. Ak máte momentový kľúč, môžete žací nôž vybrať a vložiť aj sami.

Skontrolujte, či sú skrutky žacieho noža dotiahnuté (page 13).

NASTAVENIE VÝŠKY KOSENIA



Na ľavej strane kosačky sú dve páčky na nastavenie výšky kosenia. Páčkou [1] na ľavom prednom kolese sa nastavuje výška oboch predných kolies a páčkou [2] na ľavom zadnom kolese sa nastavuje výška oboch zadných kolies. Obe páčky môžete nastaviť do jedného zo siedmich nastavení. Skutočná výška pokosenej trávy závisí od trávy a stavu terénu.

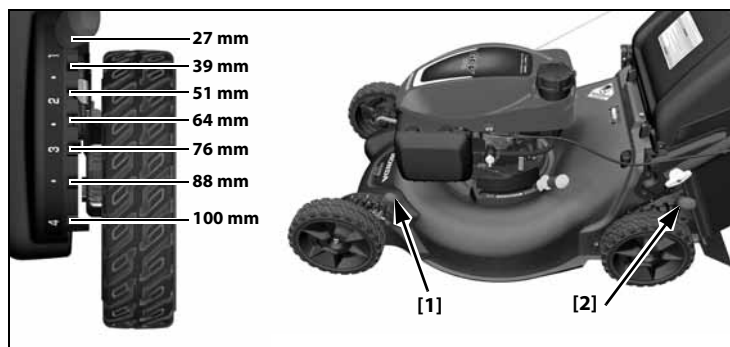
Skutočná výška pokosenej trávy sa bude líšiť v závislosti od podmienok trávnik a pôdy.

Pri nastavovaní výšky kosenia sa uistite, že motor nebeží.

Skontrolujte nastavenie výšky kosenia na korpuse kosačky a uistite sa, že obe nastavovacie páčky [1] [2] sú v rovnakej polohe výšky kosenia.

Ak chcete nastaviť výšku kosenia, najskôr posuňte zadnú páčku na nastavenie výšky kosenia. Uchopte rúčku a mierne kosačku nadvihnite. Potom potiahnite nastavovaciu páčku smerom ku kolesu a posuňte ju do požadovanej výšky. Nastavte prednú páčku nastavenia výšky kosenia tak, aby zodpovedala nastaveniu zadnej výšky.

Ak si nie ste istí, akú výšku kosenia zvoliť, začnite s vysokým nastavením a po pokosení malej plochy skontrolujte vzhľad trávnik. Potom v prípade potreby výšku kosenia upravte.



Ohľadom odporúčaní výšky kosenia, špecifických typov trávy a podmienok rastu vo vašej oblasti sa poraďte s miestnym záhradkárskym centrom.



Ak sa pozorne pozriete, uvidíte, že väčšina tráv má stonku a listy. Ak skosíte listy, trávnik „oskalpujete“. Medzi jednotlivými koseniami nechajte trávu zotaviť sa. Vaša kosačka bude pracovať lepšie a váš trávnik bude lepšie vyzerat.



Ak je trávnik príliš vysoký, pokoste ho v maximálne možnej výške, ktorú dovoľuje kosačka, potom znovu pokoste trávnik o 2 alebo 3 dni neskôr. Neskoste naraz viac ako tretinu z pôvodnej výšky trávnik, pretože by sa na ňom mohli objaviť hnedé škvrny.

KONTROLA HLADINY MOTOROVÉHO OLEJA

Kosačka sa dodáva **BEZ OLEJA** v motore.

Doplňte dostatočné množstvo oleja SAE 5W-30, 10W-30 API kategórie SJ alebo novejšej až medzi hornú [2] a dolnú značku [3] na mierke [1], ako je zobrazené na obrázku.

Motor olejom nepreplňajte. Ak je motor preplnený, prebytočný olej sa môže dostať do telesa vzduchového filtra a do filtračnej vložky.



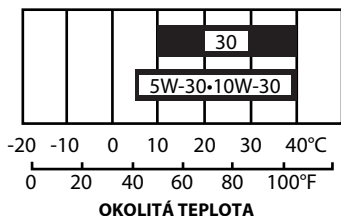
Hladinu motorového oleja kontrolujte pri vypnutom motore a s kosačkou na vodorovnom podklade.

Používajte motorový olej pre 4-taktné motory, ktorý spĺňa alebo prekračuje požiadavky pre servisnú kategóriu API SJ alebo novšiu. Na štítku API SERVICE na obale oleja vždy skontrolujte, či klasifikácia API obsahuje písmená SJ alebo novšie.

Na všeobecné použitie sa odporúča olej SAE 5W-30, 10W-30. Ak je priemerná teplota vo vašej oblasti v uvedenom rozsah, môžu sa použiť aj iné viskozity zobrazené na grafe.

Špecifikácia mazacieho oleja potrebného na zachovanie výkonu systému regulácie emisií:

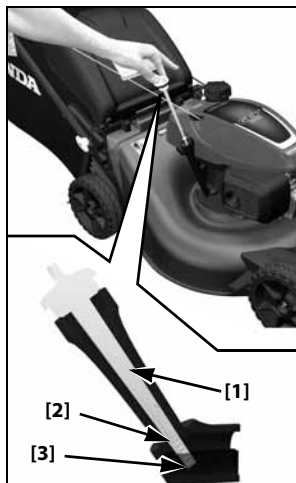
Originálny olej Honda.



UPOZORNENIE

- Prevádzka motora s nízkou hladinou oleja môže spôsobiť jeho poškodenie.
- Používanie oleja bez detergentu môže skrátiť životnosť motora a používanie a použitie oleja pre 2-taktné motory môže motor poškodiť.

1. Odskrutkujte uzáver plniaceho hrdla oleja [1] a mierku utrite dosucha.
2. Vložte mierku do plniaceho hrdla oleja. Nezaskrutkujte ju. Mierku vyberte a skontrolujte hladinu oleja.
3. Ak je olej blízko spodnej hranice mierky [3], doplňte odporúčaný olej po značku hornej hranice [2]. Nepreplňajte.
4. Zaskrutkujte a riadne dotiahnite uzáver/mierku olejovej nádrže [1].

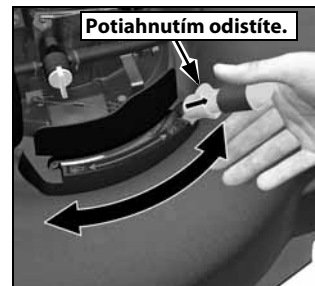


VÝBER REŽIMU KOSENIA

Na dosiahnutie požadovaných výsledkov kosenia sa dá Clip Director nastaviť buď do polohy zberu (CATCH), alebo do polohy mulčovania (MULCH).

Páku Clip Director nastavte buď na zber (úplne otvorené dvierka uzáveru) alebo mulčovanie (úplne zatvorené dvierka uzáveru) (page 7).

Ak chcete nastaviť Clip Director, uvoľnite poistku tak, že ju potiahnete od kosačky ku koncu páky a potom páku posuňte do požadovanej polohy. Poistku uvoľnite a nechajte ju zapadnúť do drážky.



Nahromadenie trávy v priestore výstupného otvoru, keď je páka voľby režimu vyhadzovania Clip Director v polohe na mulčovanie (MULCH), je normálne. Ak chcete túto trávu odstrániť, zatvorte kryt výstupného otvoru, páku Clip Director nastavte do polohy na zber (CATCH), stlačte páku na ovládanie žacích nožov a naštartujte motor.

Ak sa páka Clip Director ťažko posúva alebo sa úplne nezaistí:

- Zastavte motor. Zdvihnite kryt výstupného otvoru a vyberte pokosenú trávu z okolia príklopných dvierok.
- Pomocou záhradnej hadice a hubice vystriekajte okolie a priestor pod pákou Clip Director a zostavu krytu, aby ste odstránili pokosenú trávu.

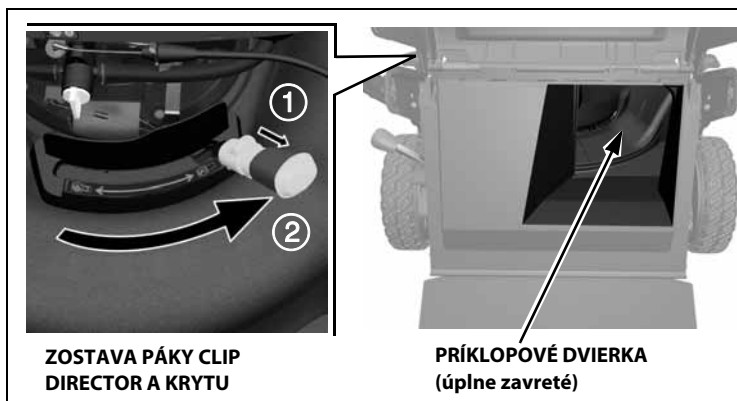
UPOZORNENIE

Pred zdvihnutím krytu výstupného otvoru pri kontrole alebo čistení posuvných dvierok, vždy vypnite motor a odpojte konektor sviečky zapalovania. Zabráňte tak kontaktu s rotujúcimi žacími nožmi a predídete tomu, aby boli prípadné predmety vymrštené do priestoru výstupného otvoru. Nahromadenie trávy v priestore výstupného otvoru pri uzavretej páke voľby režimu vyhadzovania Clip Director je normálne. Ak chcete túto trávu odstrániť, zatvorte kryt výstupného otvoru, úplne otvorte páčku Clip Director a naštartujte motor.

Ak pri pohybe páky Clip Director zo strany na stranu spozorujete väčší odpor, na vrchnej časti posuvných dvierok sa mohlo nahromadiť priveľa trávy.

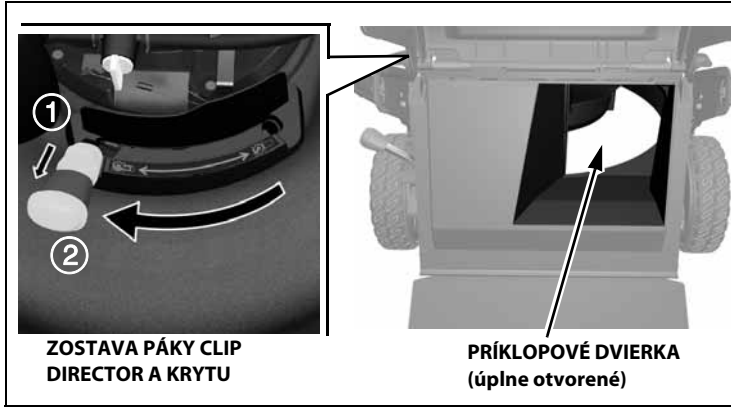
Mulčovanie

Uvoľnite poistku ① a potom páku Clip Director presuňte do polohy na mulčovanie (MULCH) ②.



Zber alebo vyhadzovanie

Uvoľnite poistku ① a potom páku Clip Director presuňte do polohy na zber (CATCH) ②.



Ak chcete pokosenú trávnu vyhadzovať, odoberte zberný kôš a páku volby režimu vyhadzovania Clip Director nastavte do polohy CATCH (zber).



ŠTARTOVANIE A ZASTAVENIE MOTORA



BEZPEČNOSTNÉ OPATRENIA PRI KOSENÍ

Pred prvou prevádzkou kosačky si, prosím, znovu pozrite kapitoly **BEZPEČNOSTNÉ POKYNY** (page 2) a **PRÍPRAVA A KONTROLA PRED POUŽITÍM** (page 4).

Aj keď ste už obsluhovali iné kosačky, doprajte si dostatok času na oboznámenie sa so systémom prevádzky kosačky a vyskúšajte si kosenie na bezpečnom mieste, kým si na novú kosačku zvyknete.

Pre vlastnú bezpečnosť neštartujte a nespúšťajte motor v uzavretých priestoroch, ako je garáž. Výfuk kosačky obsahuje jedovatý plynný oxid uhoľnatý, ktorý sa môže rýchlo hromadiť v uzavretom priestore a spôsobiť ochorenie alebo smrť.

FREKVENCIA POUŽITIA

Ak budete zariadenie používať zriedka alebo nepravidelne (viac ako 4 týždne pred ďalším použitím), prečítajte si, prosím, časť **Palivo** v kapitole **USKLADNENIE** (page 16), kde sú uvedené ďalšie informácie o zhoršovaní kvality paliva.

ŠTARTOVANIE MOTORA

1. Prepnete palivový ventil do polohy ON (OTVORENÝ) (page 9).

2. Typ VKEA:

Páku ovládania žacieho zariadenia [1] pritiahnite k sebe a podržte ju pri rúčke.

Pri štartovaní motora musí byť páka ovládania žacieho noža pritlačená k rúčke. Keď je páka ovládania žacieho zariadenia pritlačená k rúčke a potiahnete štartér, žací nôž sa začne točiť.



Typ VYEA:

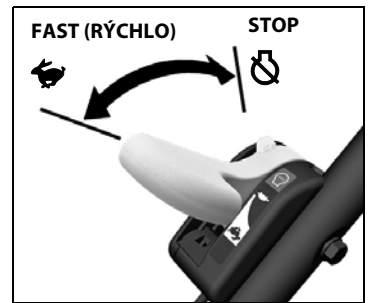
Prepnite páku plynu do polohy FAST (RÝCHLO).

3. jemne potiahnite rukoväť štartéra, kým nepocítite odpor, a potom potiahnite švihom. Rukoväť štartéra opatrne vráťte do pôvodnej polohy.

Typ VKEA:

Páku ovládania žacieho noža držte aj naďalej pritlačenú k ovládacej rúčke. Ak páku uvoľníte, motor sa zastaví.

Na zaistenie ľahkého štartovania a maximálneho úžitku zo systému automatického sýtiča, začnite kosť ihneď po naštartovaní motora a pred zastavením motora ho nechajte bežať aspoň tri minúty.



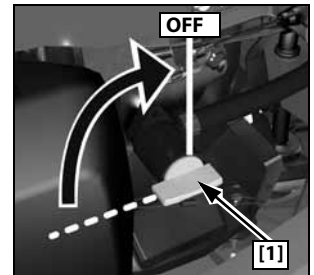
ZASTAVENIE MOTORA

1. **Typ VKEA:** Motor a rotáciu žacieho noža zastavte uvoľnením páky ovládania žacieho noža.

Typ VYEA: Uvoľnite páku na ovládanie žacieho noža, aby ste zastavili otáčanie, a potom páku plynu prepnete do polohy STOP.

2. Keď kosačku nepoužívate, otočte palivový ventil [1] do polohy OFF (UZAVRETÝ).

3. Ak kosačku nebudete 3 až 4 týždne používať, odporúčame vám odčerpať palivo z karburátora motora. Môžete to urobiť tak, že palivový ventil necháte v polohe OFF (UZAVRETÝ), znova naštartujete motor a palivo odčerpáte. Viac o dobe nečinnosti, ktorá presahuje 4 týždne See "USKLADNENIE" on page 15.



RADY A TIPY PRI OBSLUHE

POUŽÍVANIE KOSAČKY VO VYSOKEJ NADMORSKEJ VÝŠKE

Vo vysokých nadmorských výškach bude štandardná palivová zmes karburátora príliš bohatá. Výkon motora klesne a spotreba paliva sa zvýši. Veľmi bohatá zmes navyše znečisťuje sviečku zapalovania a spôsobuje ťažkosti pri štartovaní motora.

Výkon motora vo vysokých nadmorských výškach sa dá zlepšiť modifikáciou karburátora. Ak kosačku vždy používate v nadmorských výškach nad 610 metrov nad morom, požiadajte autorizovaného predajcu značky Honda, aby vám karburátor upravil.

Aj napriek správnej modifikácii karburátora sa výkon motora zníži približne o 3,5 % na každých 300 metrov nadmorskej výšky. Tento vplyv nadmorskej výšky na výkon motora však bude ešte väčší v prípade, ak karburátor nie je upravený.

UPOZORNENIE

Ak bol karburátor modifikovaný pre prevádzku vo vysokých nadmorských výškach, palivová zmes nebude pri použití v nízkych nadmorských výškach dosť bohatá. Prevádzka v nadmorských výškach pod 610 m s modifikovaným karburátorom môže spôsobiť prehrievanie a vážne poškodenie motora. Pri prevádzke v nízkych nadmorských výškach nechajte nastaviť karburátor na jeho pôvodnú výrobnú špecifikáciu u autorizovaného predajcu značky Honda.

BEZPEČNÉ POSTUPY KOSENIA

Pre vlastnú bezpečnosť držte všetky štyri kolesá na zemi a dávajte pozor, aby ste nestratili pevnú pôdu pod nohami a kontrolu nad kosačkou. Rúčku držte pevne a s kosačkou kráčajte, nikdy nebežte. Pri kosení nerovnej alebo hrboľatej zeme buďte veľmi opatrní.

Ak uviaznete, nekopte ani neposúvajte kosačku nohou. Na ovládanie kosačky použite rúčku.

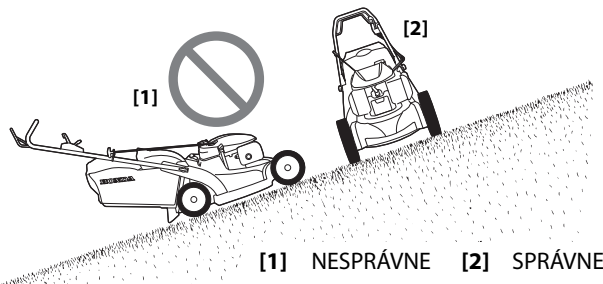
⚠ POZOR

Žacie nože sú ostré a veľmi rýchlo rotujú.

Ak dôjdete do kontaktu so žacími nožmi, spôsobia vám vážne rezné zranenia a môžu vám amputovať prsty na rukách aj na nohách.

- Používajte ochrannú obuv.
- Pokiaľ motor beží, držte ruky a nohy mimo ochranného krytu kosačky.
- Pred akýmkoľvek nastavením, kontrolou alebo údržbou motor vypnite.

Svahy



[1] NESPRÁVNE [2] SPRÁVNE

Koste horizontálne, nikdy nie smerom hore a dolu. Vyhnite sa strmým svahom (so sklonom viac ako 20° (36 %)) a buďte mimoriadne opatrní pri zmene smeru kosenia. Pri kosení na svahu, kde je tráva vlhká alebo mokrá, sa môžete pošmyknúť, spadnúť, alebo môžete stratiť kontrolu nad kosačkou.

Prekážky

Na kosenie v blízkosti veľkých prekážok, ako sú ploty alebo steny, použite bočnú stranu kosačky.

Pri kosení okolo stromov a iných prekážok ovládač Smart Drive uvoľnite. Lepšiu kontrolu smeru dosiahnete, keď kosačku okolo prekážok potlačíte. Pri kosení nad prekážkami vsadenými v zemi, ako sú hlavice postrekovača, dlaždice, hrany, atď. postupujte opatrne. Vyhnite sa všetkému, čo vyčnieva nad povrch trávnika.

Ak žací nôž na niečo narazí alebo ak kosačka začne vibrovať, ihneď zastavte motor a skontrolujte, či nedošlo k poškodeniu. Odrazené predmety môžu poškodiť žací nôž, ohnúť kľuku hriadeľa a/alebo zlomiť ochranný kryt kosačky, alebo iné časti. Vibrácie zvyčajne naznačujú vážne problémy.

⚠ POZOR

Opatrebovaný, prasknutý alebo poškodený žací nôž sa môže zlomiť a kúsky poškodeného noža sa môžu zmeniť na nebezpečné projektily.

Vymrštené predmety môžu spôsobiť vážne poranenia.

Pravidelne kontrolujte žací nôž a kosačku s opotrebovaným alebo poškodeným žacím nožom nepoužívajte.

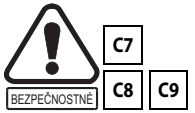
Záruka nepokrýva diely poškodené nárazom.

Štrk a voľné predmety

Kosačka môže zbierať štrk, voľné kamene a iné voľné predmety z trávnika a odhodiť ich dostatočnou silou na to, aby spôsobili vážne zranenie a/alebo škody na majetku. Najlepším spôsobom, ako predísť potenciálnym zraneniam spôsobeným odhodnými predmetmi, je pred nájazdom na plochy so štrkom, voľnými kameňmi alebo inými predmetmi, pustiť páku ovládania žacieho noža a zastaviť žací nôž.

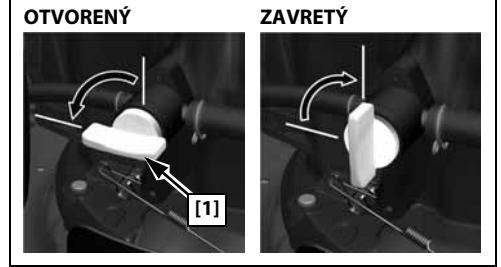
OBSLUHA OVLÁDACÍCH PRVKOV PRI

KOSENÍ



Palivový ventil

Palivový ventil [1] otvára a zatvára spoj medzi nádržou paliva a karburátorom.



Systém ovládania žacích nožov

Typ VKEA

Ovládací páka žacích nožov [1] musí byť pritiahnutá k rúčke, aby sa motor naštartoval a spustil. Keď je páka ovládania žacieho zariadenia pritlačená dozadu k rúčke a potiahnete štartér, žací nôž sa začne točiť.



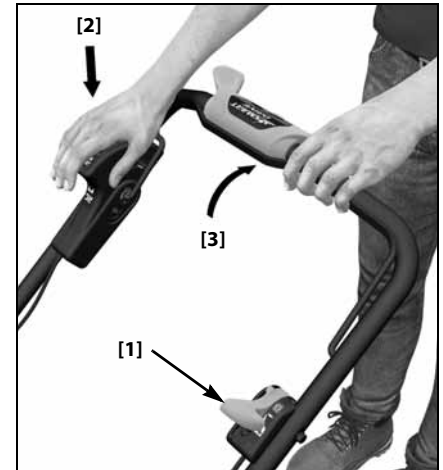
Páku žacích nožov držte úplne pri rúčke. Motor a žacie nože sa tak budú hladko otáčať a nedôjde tak k predčasnému opotrebovaniu riadiaceho systému žacích nožov.

Vždy keď musíte od kosačky odísť, motor a rotáciu žacieho noža zastavte uvoľnením páky ovládania žacieho noža.

Typ VYEA

Ak chcete spustiť otáčanie žacích nožov, skontrolujte, či motor beží a páka plynu [1] je v polohe FAST (rýchlo).

1. Stlačte a **podržte** tlačidlo Roto-Stop® [2].
2. Rýchlo potiahnite ovládaciu páku žacích nožov [3] k rúčke, aby motor mohol rozbehnúť žacie nože na plné otáčky. Potom tlačidlo Roto-Stop uvoľnite.



Páku žacích nožov držte stále úplne pri rúčke, aby ste udržali rotáciu nožov. Ovládací páka žacích nožov musí byť vždy úplne stlačená alebo úplne uvoľnená. Páku nestláčajte čiastočne.

Rotáciu žacieho noža zastavte uvoľnením páky ovládania žacieho noža. Pred naštartovaním motora ovládaciu páku žacích nožov vždy uvoľnite, aby ste zabránili ich otáčaniu.

Ovládanie Smart Drive

Keď motor beží a žacie nože sa otáčajú, pomaly zatlačte na ovládač Smart Drive, aby sa kosačka pohla dopredu.

Keď na ovládač Smart Drive zatlačíte, rýchlosť sa zvýši. Po dosiahnutí maximálnej rýchlosti už tlak na ovládač nebude pôsobiť. Stláčajte ho len do takej miery, aby ste dosiahli požadovanú rýchlosť.

Pri kosení okolo stromov a iných prekážok ovládač Smart Drive uvoľnite. Lepšiu kontrolu smeru dosiahnete, keď kosačku okolo prekážok potlačíte.

Rýchlosť závisí od terénu, výšky trávy, svahu a hmotnosti zberného koša. Pohybom ovládača Smart Drive udržiavajte požadovanú rýchlosť pri neustále sa meniacich podmienkach kosenia.

Uvoľnením ovládača Smart Drive deaktivujete (zastavíte) zadné kolesá.

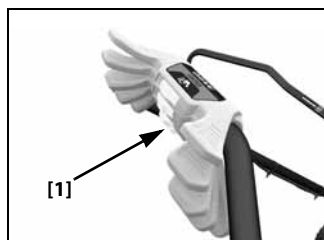
Nastavenie ovládania Smart Drive

Používateľ si môže ovládanie Smart Drive pohodlne nastaviť nahor alebo nadol do ktorejkoľvek z piatich polôh.

Keď je kosačka v pohybe, nepokúšajte sa polohu ovládača Smart Drive meniť.

Posuňte viacpolohový nastavovač [1] doľava, aby ste ovládač odistili.

Posúvajte ovládač Smart Drive nahor alebo nadol do ideálnej polohy a potom viacpolohový nastavovač uvoľnite a nechajte ho zapadnúť.

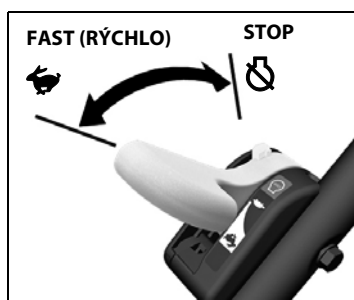


Ovládacia páka plynu

Typ VYEA

Najlepšiu kvalitu kosenia dosiahnete, keď budete mať páku plynu v polohe FAST (RÝCHLO). Keď sa žacie nože otáčajú pri vysokých otáčkach, pôsobia ako silný ventilátor, ktorý trávu zdvíha a kosí efektívnejšie.

Nepokúšajte sa zvýšiť prednastavené FAST (RÝCHLO) otáčky motora. Žacie nože by sa mohli zlomiť a rozpadnúť.



TIPY NA KOSENIE

Kedy kosiť

Väčšina trávnikov by mala byť pokosená, keď narastie o 12 ~ 25 mm nad svoju odporúčanú výšku.

Častejšie kosenie je potrebné pri mulčovaní než pri zbieraní trávy do zberného koša. Na dosiahnutie čo najlepších výsledkov by ste mali počas obdobia rastu kosť trávnik dvakrát do týždňa.

Šírka záberu

Ak chcete dosiahnuť rovnomerný vzhľad trávniku, každý pokosený pás prekryte o niekoľko centimetrov. Ak je tráva veľmi dlhá alebo hrubá, robte širší presah do pokosenej časti a užšiu šírku záberu.

Rýchlosť otáčania žacieho noža

Žací nôž sa musí točiť veľmi rýchlo, aby správne kosil.

Ak otáčky motora klesnú, indikuje to preťaženie žacích nožov, ktoré sa snažia kosť príliš veľa trávy. Zúžte šírku záberu kosenia, postupujte pomalšie alebo zvýšte výšku kosenia.

Ostrosť žacieho noža

Ostrý žací nôž kosí čisto. Tupý žací nôž trávu trhá a zanecháva končeky stebel trávy rozstrapkané, pričom tie postupne zhnednú. Ak už žací nôž nekosí hladko, naostrite ho alebo si ho dajte vymeniť.

Suchá tráva

Ak je zem príliš suchá, pri kosení sa rozvíri veľa prachu. Zneprijemňuje to prácu a príliš veľa prachu navyše zanesie vzduchový filter karburátora.

Ak máte problémy s prachom, deň pred kosením trávnik polejte. Koste, keď je tráva na dotyk suchá, ale zem ešte stále vlhká.

Mokrú trávu

Mokrú trávu je šmyklavá, čo môže spôsobiť stratu rovnováhy a šmyk. Odrezky mokrej trávy môžu navyše upchať ochranný kryt kosačky a ostávať v zhlukoch na trávniku. Pred kosením vždy počkajte, kým tráva uschne.

Opadané lístie

Ak je kosačka vybavená zberným košom, môžete ju použiť na vyzbieranie opadaného lístia do zberného koša. Pri použití kosačky na zber väčšieho množstva opadaného lístia bez kosenia nastavte prednú páčku na nastavenie výšky kosenia tak, aby bola na prednej strane ochranného krytu kosačky o jeden alebo dva stupne vyššie ako na zadnej.

Ak chcete do trávniku mulčovať opadané listy, nenechajte na trávniku napadať priveľkú vrstvu lístia. Najlepšie výsledky dosiahnete, ak začnete mulčovať, ešte kým je tráva viditeľná cez vrstvu lístia. Na miestach, kde je tráva úplne pokrytá lístím, lístie pohrabte alebo použite zberný kôš na trávu a lístie pozbierajte kosačkou.

Upchatý korpus kosačky

Pred čistením upchatého korpusu kosačky vypnite motor a prepnite palivový ventil do polohy OFF (UZAVRETÝ). S odpojeným konektorom sviečky zapalovania nakloňte kosačku na stranu tak, aby bola strana vzduchového filtra hore.

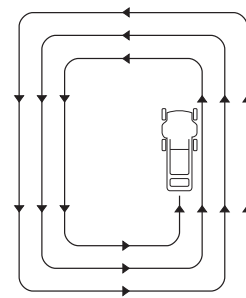
Upchatý kryt kosačky vyčistíte palicou, nie rukami.

Vzory kosenia

Kosačka Honda bude kosť najúčinnejšie, ak sa budete riadiť nasledujúcimi vzormi kosenia. Tvar ochranného krytu kosačky a smer rotácie žacích nožov predurčujú tieto vzory kosenia na dosiahnutie najlepších výsledkov.

Mulčovanie

Keď je páka voľby režimu vyhadzovania Clip Director v polohe na MULČOVANIE, postupujte podľa vzoru proti smeru hodinových ručičiek. Ak má trávnik nepravidelný tvar alebo je na ňom veľa prekážok, rozdeľte si ho na menšie plochy a koste každú z nich podľa odporúčaného vzoru proti smeru hodinových ručičiek.



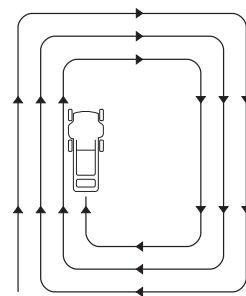
VZOR PRE MULČOVANIE

Zber trávy

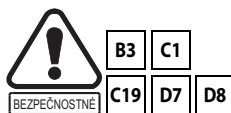
Použite vzor v smere hodinových ručičiek. Dosiahnete tým najlepšie výsledky pri kosení so zberom trávy do zberného koša zanechávajúc na trávniku čo najmenšie množstvo odrezkov.

Kosenie so zadným vyhadzovaním trávy

Odstráňte zberný kôš na trávu a uzavrite kryt výstupného otvoru. Páku voľby režimu vyhadzovania Clip Director presuňte do polohy zberu (CATCH) a začnite kosť podľa vzoru v smere hodinových ručičiek. Ak má trávnik nepravidelný tvar alebo je na ňom veľa prekážok, rozdeľte si ho na menšie plochy.

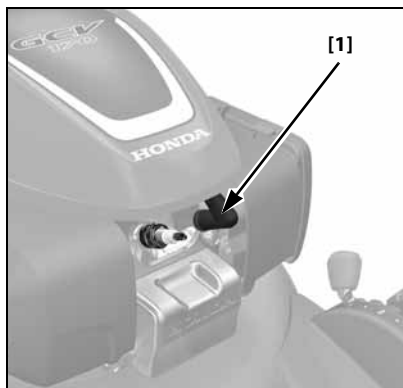


VZOR PRE KOSENIE SO ZBEROM TRÁVY A SO ZADNÝM VYHADZOVANÍM



POZOR

Aby ste predišli náhodnému spusteniu kosačky, pred údržbou stiahnite konektor sviečky zapalovania [1].



VÝZNAM ÚDRŽBY

Správna údržba je základom pre bezpečnú, úspornú a bezproblémovú prevádzku. Zároveň pomáha znižovať znečistenie ovzdušia a zabezpečuje plnenie emisných charakteristík motora.

Na nasledujúcich stranách sú uvedené informácie o pláne údržby, rutinných kontrolných postupoch a jednoduchých postupoch údržby s použitím bežného ručného náradia, ktoré vám pomôžu so správnu starostlivosťou o kosačku. Ostatné servisné úkony, ktoré sú zložitejšie alebo si vyžadujú špeciálne náradie, je lepšie zveriť profesionálom a bežne ich vykonávajú technici spoločnosti Honda alebo iní kvalifikovaní mechanici.

Plán údržby platí pre normálne podmienky použitia. Ak kosačku používate v sťažených podmienkach, konzultujte odporúčania vzťahujúce sa na vaše individuálne podmienky použitia s autorizovaným predajcom značky Honda.

Nezabudnite, že servisný zástupca pozná vašu kosačku najlepšie a je plne vybavený na vykonávanie jej údržby a opráv.

V záujme zabezpečenia čo najlepšej kvality a spoľahlivosti používajte pri opravách a výmene dielov iba originálne náhradné diely Honda alebo ich ekvivalent.

POZOR

Nesprávna údržba alebo oprava môže spôsobiť funkčnú poruchu, pri ktorej sa môžete vážne zraniť alebo môže byť tragická.

Vždy postupujte podľa odporúčaní pre kontrolu a údržbu a podľa plánu uvedenom v tomto návode na použitie.

BEZPEČNOSŤ PRI ÚDRŽBE

Nasleduje pár najdôležitejších bezpečnostných upozornení. Nedokážeme vás však varovať pred každým možným nebezpečenstvom, ktoré môže nastať pri vykonávaní údržby. Len vy sami môžete rozhodnúť, či by ste mali, alebo nemali konkrétne úkony vykonávať.

POZOR

Ak nebudete riadne dodržiavať pokyny a upozornenia pre údržbu, môžete sa vážne zraniť prípadne to môže mať aj tragické následky.

Vždy dodržiavajte postupy a upozornenia uvedené v tomto návode na použitie.

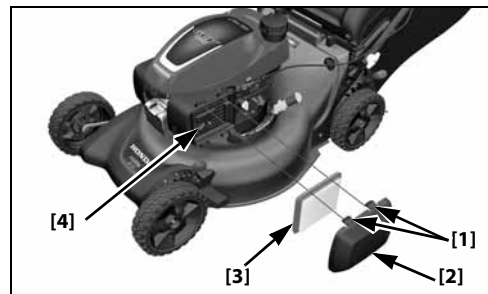
ÚDRŽBA VZDUCHOVÉHO FILTRA

Správne udržiavaný vzduchový filter pomáha zabrániť vniknutiu nečistôt do motora. Nečistoty, ktoré sa dostanú do karburátora, sa môžu dostať do úzkych kanálikov karburátora a môžu spôsobiť predčasné opotrebenie motora. Tieto úzke kanáliky karburátora sa môžu upchať a spôsobiť problémy pri štartovaní a behu motora. Odporúčame vždy používať originálny vzduchový filter značky Honda určený pre váš motor, aby tesnil a fungoval podľa návrhu. Ak prevádzkujete motor vo veľmi prašnom prostredí, vzduchový filter budete musieť čistiť častejšie.

UPOZORNENIE

Prevádzka motora bez vzduchového filtra alebo s poškodeným filtrom umožní prienik nečistôt do motora, čo spôsobí jeho rýchle opotrebovanie. Takéto opotrebovanie nie je kryté zárukou.

1. Zatlačte úchyty [1] krytu vzduchového filtra nadol, potom kryt [2] odstráňte.
2. Vyberte filter [3] z telesa vzduchového filtra [4].
3. Skontrolujte filter. Ak je poškodený, vymeňte ho.
4. Filter vyčistite tak, že ho niekoľkokrát poklepete o tvrdý povrch, aby sa z neho odstránila špina, alebo použite vzduchový kompresor (neprekračujte tlak 2 bary/29 psi) a prefučnite filter z vnútornej čistej strany smerom von. Nikdy sa nepokúšajte filter vyčistiť kefou, kefovanie zatlačí nečistoty do vlákien filtra.
5. Navlhčenou handrou utrite špinu z vnútra telesa a z krytu filtra. Dávajte pozor, aby ste nezanesli špinu do sacej trubice vedúcej do karburátora.
6. Nasadte filter a kryt.



VÝMENA MOTOROVÉHO OLEJA

Olej vypúšťajte, kým je motor teplý. Teplý olej vytečie rýchlo a úplne.



1. Otočte palivový ventil do polohy OFF (UZAVRETÝ). Znížite tak možnosť úniku paliva (page 9).
2. Dočista utrite miesto okolo uzáveru olejovej nádrže a odskrutkujte uzáver/mierku oleja.

3. Na zachytenie použitého oleja umiestnite vedľa kosačky vhodnú nádobu a nakloňte kosačku na jej pravú stranu. Použitý olej vytečie cez plniace hrdlo. Nechajte olej úplne vyteciť.



Použitý olej a nádobu zlikvidujte ekologicky. Odporúčame vám uložiť olej do dobre utesnenej nádoby a odnieť miestnemu spracovateľovi alebo do servisu na recykláciu. Nevylievajte ho do komunálneho odpadu ani na zem alebo do kanalizácie.

4. Nalejte odporúčaný olej (page 7).

Objem náplne:

0,35 ~ 0,40 l

Neprepĺňajte.

Hladinu oleja zmerajte tak, ako je znázornené nižšie.



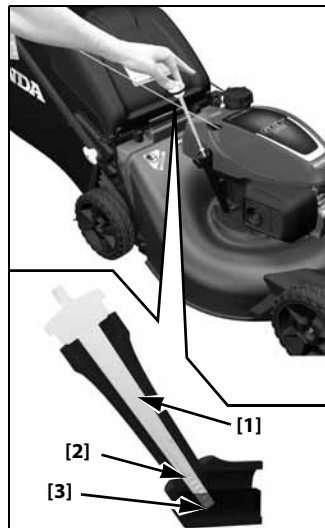
5. Po výmene oleja a pred naštartovaním motora skontrolujte hladinu oleja s kosačkou na vodorovnom podklade:

- a. Vyskrutkujte uzáver/mierku oleja [1].

- b. Mierku utrite.

- c. Mierku vsuňte do plniaceho hrdla bez toho, aby ste ju zaskrutkovali, a vytiahnite ju. Odčítajte hladinu oleja na mierke.

- d. Ak je hladina oleja pod spodnou značkou [3], doplníte olej tak, aby ste dosiahli hladinu na hornej značke [2] na mierke. Neprepĺňajte. Ak je motor preplnený, prebytočný olej sa môže dostať do telesa a do vložky vzduchového filtra.



UPOZORNENIE

Prevádzka motora s nízkou hladinou oleja môže spôsobiť jeho poškodenie.

- e. Uzáver/mierku oleja riadne zaskrutkujte.

KONTROLA SVIEČKY ZAPAĽOVANIA

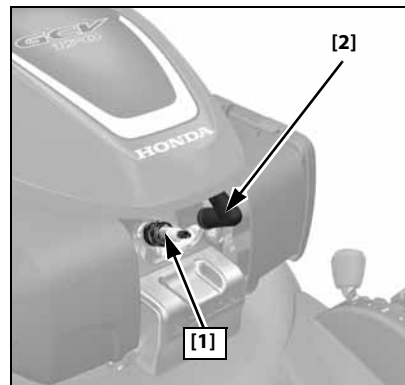
Predpísané sviečky zapaľovania: NGK - BPR5ES

UPOZORNENIE

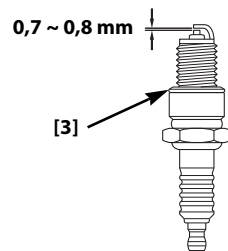
Nesprávne sviečky zapaľovania môžu poškodiť motor.

Pre dobrý výkon motora musí mať sviečka zapaľovania [1] správny odtrh elektród a nesmie byť znečistená.

1. Odpojte konektor zo sviečky zapaľovania [2] a z okolia sviečky zapaľovania odstráňte nečistoty.
2. Vymontujte sviečku zapaľovania sviečkovým kľúčom.



3. Skontrolujte sviečku zapaľovania. Ak sú elektródy opotrebované alebo ak je izolátor popraskaný alebo poškodený, sviečku zapaľovania vymeňte.
4. Vhodným škáromerom zmerajte odtrh elektród sviečky zapaľovania. Odtrh by mal byť 0,7 ~ 0,8 mm. Ak je to potrebné, upravte odtrh elektród opatrným ohnutím bočnej elektródy.



5. Sviečku zapaľovania nasadte rukou, aby ste nepoškodili závit.
6. Po dosadnutí sviečky použite sviečkový kľúč a dotiahnite ju.

Ak inštalujete použitú sviečku, dotiahnite len o 1/8 až 1/4 otáčky po dosadnutí.

Ak inštalujete novú sviečku, dotiahnite ju ešte asi o 1/2 otáčky po jej dosadnutí, aby sa podložka [3] stlačila.

UŤAHOVACÍ MOMENT: 20 N·m

UPOZORNENIE

Uvoľnená sviečka zapaľovania sa môže prehriať a poškodiť motor. Príliš dotiahnutá sviečka zapaľovania môže poškodiť závit v hlave valca.

7. Nasadte konektor sviečky zapaľovania na sviečku zapaľovania.

ÚDRŽBA ZACHYTÁVAČA ISKIER (DOPLNKOVÉ PRÍSLUŠENSTVO)

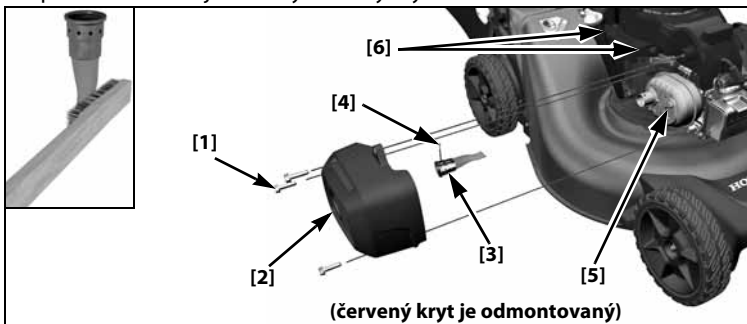
V Európe a iných krajinách, kde platí smernica 2006/42/ES, musí tieto úkony vykonávať váš servisný zástupca.

Na zachovanie funkčnosti zachytávača iskier musíte jeho údržbu opakovať každých 100 hodín prevádzky.

1. Nechajte motor vychladnúť.
2. Odpojte dva úchyty červeného horného krytu [6] na strane tlmíča výfuku motora a potom mierne nadvihnite červený horný kryt, aby ste odkryli hornú skrutku štítu tlmíča výfuku.
3. Odskrutkujte tri skrutky [1] z krytu tlmíča výfuku [2] pomocou 10 mm zakladacieho kľúča.
4. Odmontujte kryt tlmíča výfuku [2].
5. Odskrutkujte skrutku [4].
6. Vyberte zachytávač iskier [3] z tlmíča výfuku [5].
7. Skontrolujte karbonové usadeniny na zachytávači a výstupe tlmíča výfuku. Usadeniny očistite kefkou. Dávajte pozor, aby ste nepoškodili mriežku zachytávača iskier.
8. Zachytávač iskier namontujte do tlmíča výfuku.



9. Na motor nasadíte kryt tlmiča výfuku, riadne dotiahnite tri skrutky a potom nainštalujete vrchný červený kryt.



VOBYBERANIE A INŠTALÁCIA ŽACIEHO NOŽA

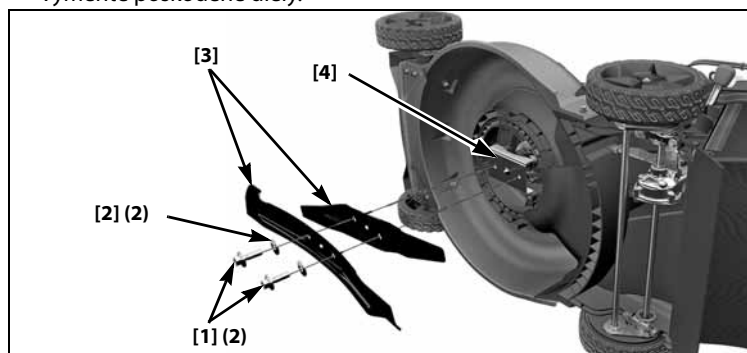
Ak vyberáte žací nôž na naoštrenie alebo výmenu, budete na jeho inštaláciu potrebovať momentový kľúč. Na ochranu rúk používajte pevné pracovné rukavice.

NAOSTRENIE ŽACIEHO NOŽA: Žací nôž by mala naoštriť vyškolená osoba u vášho predajcu značky Honda, aby nedošlo k oslabeniu žacieho noža, čo by spôsobilo jeho nevyváženosť alebo zlú kvalitu kosenia.

VÝMENA ŽACIEHO NOŽA: Použite originálny žací nôž značky Honda alebo jeho ekvivalent.

VoBYberanie

1. Otočte palivový ventil do polohy OFF (UZAVRETÝ) a odpojte konektor sviečky zapalovania.
2. Nakloňte kosačku doprava tak, aby bol uzáver palivovej nádrže hore. Predídete tak vytekaniu paliva, presakovaniu motorového oleja do vzduchového filtra a následným ťažkostiam pri štartovaní.
3. Pomocou 14 mm (6-bodového) nástrčného kľúča vyberte skrutky žacích nožov [1] a špeciálne podložky [2]. Používajte pri tom hrubé kožené rukavice a nože [3] držte rukou, aby sa pri demontáži skrutiek neotáčali. Vyberte žacie nože.
4. Skontrolujte, či nedošlo k poškodeniu držiaka žacích nožov (VKEA) alebo zostavy Roto-Stop (VYEA) [4] a povrchu usadenia žacích nožov. Ak nájdete poškodenie alebo ak žací nôž narazil na tvrdý predmet, vymeňte poškodené diely.



Inštalácia

1. Z okolia inštalácie noža odstráňte nečistoty a trávu.
2. Nainštalujte žacie nože a [3] pomocou dvoch skrutiek [1] a špeciálnych podložiek [2] ako na obrázku. Špeciálne podložky nainštalujete konkávnou stranou smerom k žaciemu nožu a konvexnou stranou smerom ku hlavičke skrutky.

⚠ POZOR

Prevádzka kosačky s iba jedným žacím nožom bude mať za následok nesprávne osadenie noža, ktorý môže byť vymrštený z kosačky a môže niekoho vážne zraniť alebo usmrtiť.

Vždy inštalujte oba nože ako sadu.

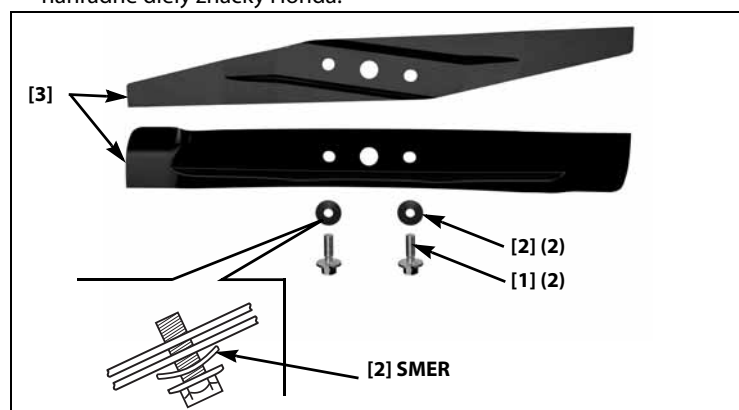
⚠ POZOR

Ak skrutky žacích nožov nie sú správne dotiahnuté, žacie nože sa môžu uvoľniť a vymrštiť z kosačky.

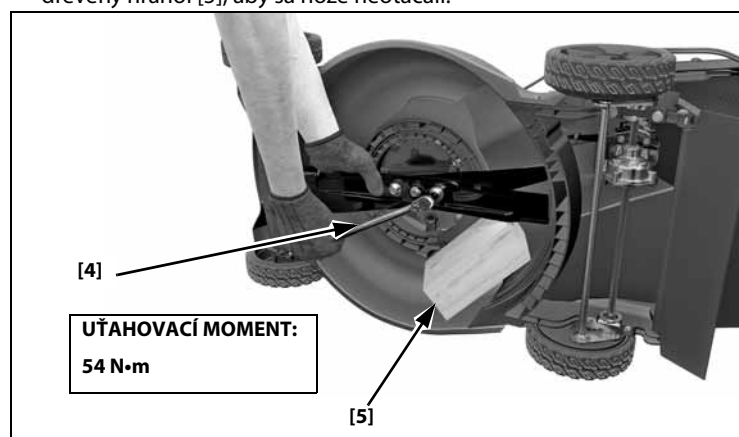
Žacie nože vymrštené z kosačky by mohli niekoho vážne zraniť alebo zabiť.

Uistite sa, že sú skrutky žacích nožov správne dotiahnuté.

Skrutky a podložky žacích nožov sú špeciálne navrhnuté pre túto aplikáciu. Pri výmene skrutiek a podložiek používajte iba originálne náhradné diely značky Honda.



3. Skrutky žacích nožov dotiahnite momentovým kľúčom [4]. Použite drevený hranol [5], aby sa nože neotáčali.



Uťahovací moment skrutky žacieho noža: 54 N•m

Ak nemáte momentový kľúč, dajte pred použitím kosačky dotiahnuť skrutky noža autorizovanému predajcovi značky Honda. Ak sú skrutky príliš dotiahnuté, môžu sa zlomiť. Ak skrutky žacieho noža nie sú dostatočne dotiahnuté, môžu sa uvoľniť a vypadnúť. V oboch prípadoch by mohli žacie nože počas prevádzky vypadnúť.

Kontrola montážnych skrutiek žacieho noža

Skontrolujte, či na skrutkách žacieho noža nie sú znaky poškodenia alebo či nie sú uvoľnené. Ak sú poškodené, musíte ich vymeniť.

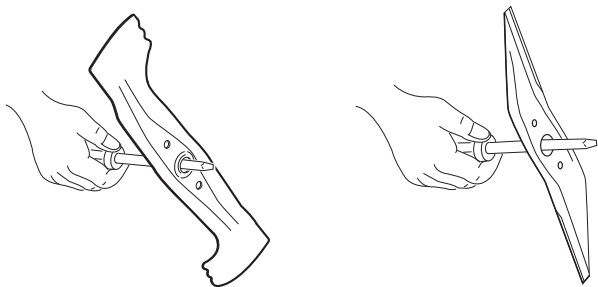
Ak vyzerajú uvoľnené, musí sa na presné utiahnutie skrutiek žacieho noža na požadovaný dotáhovací moment použiť momentový kľúč. Ak nemáte momentový kľúč, odneste kosačku autorizovanému predajcovi, aby skrutky vymenil alebo správne dotiahol.

Používajte iba originálne skrutky a špeciálne podložky značky Honda, pretože sú špeciálne určené na tento účel. Objednávacie čísla náhradných dielov sú na page 17.

Skontrolujte, či podložky a hlavy skrutiek nie sú uvoľnené alebo poškodené.



Výmena žacieho noža



VÝSTRAHA:

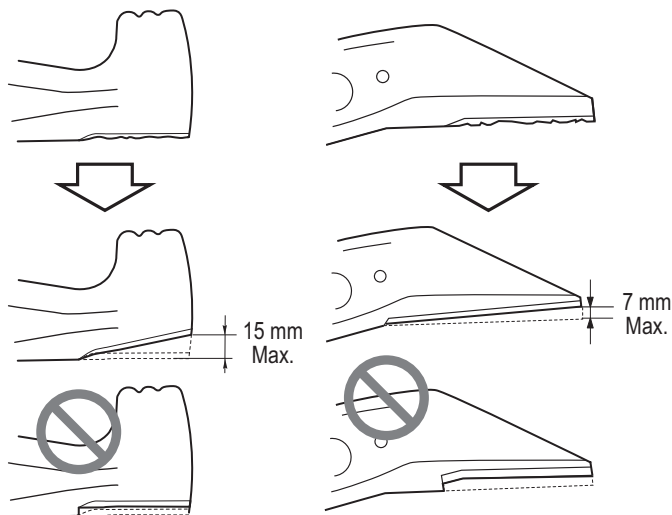
- Vyrovnanosť žacích nožov je pre správny výkon kosačky mimoriadne dôležitá. Všetky žacie nože, ktoré sú poškodené alebo nevyvážené, vymeňte.
- Používajte iba originálne náhradné žacie nože značky Honda.

Naostrenie žacieho noža

VÝSTRAHA:

- V rámci prevencie oslabenia žacích nožov, ich nesprávneho vyváženia alebo zlej kvality kosenia by mal žacie nože brúsiť kompetentný personál vášho servisného predajcu.

1. Čepele žacích nožov naostríte pomocou pilníka. Nabrúste len hornú stranu. Zachovajte pôvodné skosenie tenkého ostria. Obidva konce brúste rovnomerne, aby ste zachovali vyrovnanie žacích nožov.
2. Po naoštrení otestujte vyváženie žacích nožov pomocou skrutkovača, ako je znázornené vyššie. Ak sa niektorá strana mierne zareže pod vodorovnú rovinu, nabrúste ju. Ak sa žací nôž zareže príliš, vymeňte ho.



ČISTENIE A VÝMENA ZBERNÉHO KOŠA

Čistenie

Zberný kôš umyte záhradnou hadicou a pred použitím ho nechajte úplne vyschnúť. Mokry kôš sa rýchlo upchá.

Výmena

Opotrebovaný alebo poškodený zberný kôš trávy vymeňte za originálny diel značky Honda alebo jeho ekvivalent.

14 SK



KONTROLA FUNKČNOSTI OVLÁDANIA ŽACIEHO NOŽA

Len typ VKEA:

Vonku naštartujte motor. Pustite páku ovládania žacieho noža. Motor by sa mal rýchlo zastaviť. Ak sa motor rýchlo nezastaví, odneste kosačku do autorizovaného servisu značky Honda a nechajte si ju opraviť.

PLÁN ÚDRŽBY

Vykonajte v každom uvedenom mesiaci/roku alebo intervale prevádzkových hodín, podľa toho, čo nastane skôr.

Položka	Úkon	Frekvencia					
		Pred každým použitím	Po prvom mesiaci alebo 5 hod.	Po prvých 25 hod.	Každých 6 mesiacov alebo 50 hod.	Každý rok alebo 100 hod.	Každé 2 roky alebo 150 prevádzkových hod.
Motorový olej	Skontrolujte	o					
	Vymeňte		o		o ¹	o ¹	o ¹
Vzduchový filter	Skontrolujte	o					
	Vyčistite			o ¹	o ¹	o ¹	
	Vymeňte						o
Sviečka zapalovania	Skontrolujte / upravte					o	
	Vymeňte						o
Zachytávač iskier ³ (ak je)	Vyčistite					o	o
Palivová nádrž ²	Vyčistite					o	o
Vôľa ventilov ²	Nastavte					o	o
Palivové hadice ²	Skontrolujte (v prípade potreby vymeňte)	Každé 2 roky					
Zberný kôš	Skontrolujte	o					
Žacie nože	Skontrolujte	o					
Funkčnosť ovládania žacieho noža	Skontrolujte	o				o	o
Zadný kryt	Skontrolujte	o					
Skrutky žacích nožov	Skontrolujte	o					
Lanko ovládania Smart Drive ²	Nastavte			o	o	o	o
Lanko tlačidla Roto-Stop (VYEA) ²	Nastavte			o		o	o
Lanko plynu (VYEA) ²	Nastavte			o		o	o
Prevody ²	Namažte					o	o
Ložiská prevodovky ²	Skontrolujte						o

1. Vykonávajte častejšie pri prevádzke v prašnom prostredí.
2. Pokiaľ nemáte správne náradie a mechanické zručnosti, mal by tieto úkony vykonať autorizovaný predajca značky Honda. Servisné postupy nájdete v dielenskej príručke Honda.
3. V Európe a iných krajinách, kde platí smernica 2006/42/ES, musí tieto úkony vykonávať váš servisný zástupca.

Nedodržiavanie plánu údržby môže mať za následok zlyhanie, na ktoré sa nevzťahuje záruka, zníženie výkonu alebo nedodržanie emisných noriem.

ODSTRAŇOVANIE PORÚCH

MOTOR SA NEDÁ NAŠTARTOVAŤ

Možná príčina	Oprava
Uzavretý palivový ventil	Otočte palivový ventil do polohy ON (page 9).
Došlo palivo	Doplňte palivo (page 7).
Páka plynu v nesprávnej polohe (len VYEA)	Prepnite páku plynu do polohy FAST (RÝCHLO) (page 10).
Nevhodné palivo; kosačka uskladnená bez ošetrovania alebo vyprázdnenia benzínovej nádrže, alebo naplnená nevhodným palivom	Do palivovej nádrže doplňte čerstvý benzín (page 5).
Sviečka zapalovania je chybná, zanesená alebo má nesprávny odtrh	Nastavte alebo vymeňte sviečku zapalovania (page 12).
Sviečka zapalovania namočená v palive (zahltý motor)	Vysušte a namontujte sviečku zapalovania.
Zanesený palivový filter, porucha karburátora, porucha zapalovania, zaseknuté ventily, a pod.	Kosačku zoberte k autorizovanému servisnému zástupcovi značky Honda, alebo si pozrite dielenskú príručku s pokynmi na opravu.

STRATA VÝKONU

Možná príčina	Oprava
Tráva je príliš vysoká na kosenie	Zväčšite výšku nastavenia kosenia (page 7), koste užší záber, použite nižšiu rýchlosť, alebo koste častejšie.
Páka plynu nie je nastavená na režim FAST (rýchlo) (len VYEA)	Prepnite páku plynu do polohy FAST (rýchlo) (page 10).
Korpus kosačky je upchatý	Vyčistite korpus kosačky (page 10).
Zanesený vzduchový filter	Vyčistite alebo vymeňte vzduchový filter.
Nevhodné palivo; kosačka uskladnená bez ošetrovania alebo vyprázdnenia benzínovej nádrže, alebo naplnená nevhodným palivom	Do palivovej nádrže doplňte čerstvý benzín (page 12).
Zanesený palivový filter, porucha karburátora, porucha zapalovania, zaseknuté ventily, a pod.	Kosačku zoberte k autorizovanému servisnému zástupcovi značky Honda, alebo si pozrite dielenskú príručku s pokynmi na opravu.

VIBRÁCIE

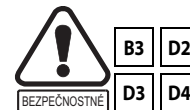
Možná príčina	Oprava
Pod korpusom kosačky sú uviaznuté tráva a nečistoty	Vyčistite korpus kosačky (page 10).
Žací nôž je uvoľnený, ohnutý, poškodený alebo zle vyvážený nesprávnym naostrením	Dotiahnite uvoľnené skrutky noža (page 13). Ak sú žacie nože ohnuté alebo poškodené, odneste kosačku na kontrolu autorizovanému servisnému zástupcovi značky Honda.
Mechanické poškodenie, napr. ohnutý kľukový hriadeľ	Kosačku zoberte k autorizovanému servisnému zástupcovi značky Honda, alebo si pozrite dielenskú príručku s pokynmi na opravu.

PROBLÉMY S KOSENÍM A ZBEROM TRÁVY

Možná príčina	Oprava
Kosačka sa pohybuje príliš rýchlo vzhľadom na podmienky trávnik	Na ovládač Smart Drive tlačte menej alebo tlačte pomalšie.
Páky nastavenia výšky kosenia sú v rôznych polohách	Obidve páky na nastavenie výšky kosenia dajte do rovnakej polohy (page 7).
Zberný kôš je príliš plný alebo zanesený	Vyprázdňte zberný kôš. Ak je zberný kôš zanesený špinou, umyte ho (page 14).
Korpus kosačky je upchatý	Vyčistite korpus kosačky (page 10).
Žací nôž je tupý, opotrebovaný alebo poškodený	Žací nôž naostrite alebo v prípade potreby vymeňte (page 13).

USKLADNENIE

Správne uskladnenie je nevyhnutné na udržanie dobrého stavu a vzhľadu vašej kosačky. Nasledujúce kroky vám pomôžu ochrániť kosačku pred koróziou a uľahčia štartovanie motora pri ďalšom použití kosačky.



ČISTENIE

Motor

Motor umyte ručne pomocou handry a kefy.

UPOZORNENIE

Použitie záhradnej hadice alebo zariadenia s vysokým tlakom vody môže pretlačiť vodu do vzduchového filtra. Voda vo vzduchovom filtri premočí papierový filter a môže sa dostať ďalej do karburátora alebo do valca motora a spôsobiť škody. Pri kontakte vody s horúcim motorom môže dôjsť k poškodeniu. Ak motor práve bežal, nechajte ho pred umývaním aspoň na pol hodinu vychladnúť.

Kryt žacích nožov

V záujme dlhšej životnosti a efektívnejšej prevádzky je potrebné spodnú stranu kosačky čistiť kefou a škrabkou, aby bola po kosení čistá a bez zvyškov trávy. Po použití musí byť kosačka pred uskladnením dôkladne vyčistená.

Pred čistením spodnej strany krytu žacích nožov nechajte motor vychladnúť a skontrolujte, či je palivový ventil v polohe OFF (zavretý). Odpojte konektor sviečky zapalovania. Položte kosačku na pravú stranu tak, aby bol uzáver palivovej nádrže hore. Neunikne vám tak palivo a kosačka sa nenašartuje v dôsledku zahľadnia karburátora. Na ochranu rúk pred žacími nožmi používajte pevné pracovné rukavice.

Zberný kôš

Zberný kôš na trávu vyberte z kosačky a umyte ho záhradnou hadicou alebo zariadením s vysokým tlakom vody. Pred uskladnením nechajte kôš úplne vyschnúť.

Keď je kosačka čistá a suchá, retušujte poškodený lak a tenkou vrstvou oleja ošetríte všetky miesta náchylné na koróziu.

PALIVO

UPOZORNENIE

Kvalita benzínu sa môže rýchlo zhoršovať a palivo môže rýchlo oxidovať v závislosti od oblasti, kde kosačku používate. Zhoršenie kvality paliva a oxidácia môžu nastať už do 30 dní a môžu viesť k poškodeniu karburátora a/alebo palivového systému. O miestne odporúčania pre uskladnenie požiadajte svojho servisného zástupcu značky Honda.

Benzín pri uskladnení oxiduje a jeho kvalita sa zhoršuje. Starý benzín spôsobí problémy pri štartovaní a zanecháva gumové usadeniny, ktoré môžu upchať úzke kanáliky palivového systému. Ak benzín vo vašej kosačke počas uskladnenia zostarne, bude možno potrebné karburátor a ďalšie súčasti palivového systému vyčistiť alebo vymeniť.

Doba, počas ktorej môže byť benzín ponechaný v palivovej nádrži a karburátore bez toho, aby spôsobil funkčné problémy, môže byť rôzna v závislosti od kvality benzínu, teploty skladovania a od toho, či je palivová nádrž čiastočne alebo úplne naplnená. Vzduch v čiastočne naplnenej palivovej nádrži podporuje zhoršovanie kvality paliva. Vyššia teplota pri uskladnení urýchľuje zhoršovanie kvality paliva. Problémy so zhoršenou kvalitou benzínu sa môžu objaviť v priebehu niekoľkých mesiacov alebo aj za kratší čas, ak benzín nebol pri naplnení palivovej nádrže čerstvý.

Ak máte nádobu s benzínom na dopĺňanie, dbajte na to, aby obsahovala čerstvý benzín.

Ak bude palivo uskladnené v nádobe dlhšie ako 3 mesiace, odporúčame vám pri naplnení nádoby pridať do paliva stabilizátor paliva.

Krátkodobé uskladnenie (30 ~ 90 dní)

Ak kosačku nebudete používať 30 až 90 dní, odporúčame vám prijať nasledujúce opatrenia, vďaka ktorým predídete problémom s palivom:

1. Pridajte stabilizátor paliva podľa pokynov výrobcu.

Keď pridávate stabilizátor paliva, naplňte palivovú nádrž čerstvým benzínom. Ak ju naplníte iba čiastočne, vzduch v nádrži zhorší kvalitu paliva počas uskladnenia.

Poznámka:

- Všetky stabilizátory majú krátku životnosť a ich účinnosť sa časom zhoršuje.
- Stabilizátory paliva neobnovia kvalitu starého paliva.

2. Po pridaní stabilizátora paliva nechajte motor vonku bežať 10 minút, aby sa neupravený benzín v karburátore nahradil upraveným.

3. Zastavte motor a otočte palivový ventil do polohy OFF (UZAVRETÝ).

4. Naštartujte motor a nechajte ho bežať, až kým sa sám nezastaví v dôsledku minútia paliva z plavákovkej komory karburátora. Čas chodu motora by nemal presiahnuť 3 minúty.

Dlhodobé alebo medzisezónne uskladnenie (viac ako 90 dní)

Naštartujte motor a nechajte ho bežať tak dlho, kým sa neminie všetko palivo z celého palivového systému (vrátane palivovej nádrže). Nenechajte benzín v motore dlhšie ako 90 dní bez aktivity.

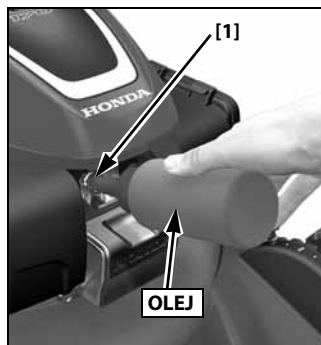
ZÁRUKA sa nevzťahuje na poškodenie palivového systému alebo problémy s výkonom motora spôsobené zanedbaním prípravy na skladovanie.

MOTOROVÝ OLEJ

Vymeňte motorový olej (page 12).

VALEC MOTORA

Ak kosačku uskladňujete na obdobie dlhšie ako 3 mesiace, odskrutkujte sviečku zapalovania (page 12). Nalejte približne 5 ~ 10 cm³ čistého motorového oleja do valca [1]. Niekoľkokrát potiahnite štartérom, aby sa olej vo valci rozlial. Nainštalujte sviečku zapalovania.



Pomaly ťahajte štartér, až kým nepocítite odpor, a potom pomaly vráťte rúčku štartéra. Uzavriete tým ventily a zabránite tomu, aby sa do valca motora dostala vlhkosť.

UMIESTNENIE PRI USKLADNENÍ

Ak bude vaša kosačka uskladnená s palivom v palivovej nádrži a v karburátore, je dôležité znížiť riziko vznietenia palivových výparov. Miesto uskladnenia si vyberte tak, aby bolo dobre vetrané a v dostatočnej vzdialenosti od všetkých zariadení, ktoré pracujú s plameňom, ako je pec, ohrievač vody, alebo sušička odevov. Taktiež sa vyhnite akýmkoľvek miestam, kde je elektrický motor produkujúci iskrenie, alebo kde sa prevádzkujú elektrické nástroje.

Ak je to možné, vyhnite sa skladovacím priestorom s vysokou vlhkosťou, pretože vlhkosť podporuje koróziu.

Kosačku umiestnite všetkými štyrmi kolesami na vodorovný povrch. Nakláňanie môže viesť k úniku paliva alebo oleja. Pre úsporné uskladnenie je možné zložiť rúčku tak, ako je uvedené nižšie.

Keď je motor a výfukový systém vychladnutý, kosačku prikryte, aby ste ju ochránili pred prachom. Horúci motor a výfukový systém môžu zapáliť alebo roztaviť niektoré materiály. Na ochranu pred prachom nepoužívajte plastovú prikrývku. Nepriepustná prikrývka bude v okolí kosačky udržiavať vlhkosť, čo podporí koróziu.

VYBRATIE PO USKLADNENÍ

Kosačku skontrolujte podľa opisu v kapitole PRÍPRAVA A KONTROLA PRED POUŽITÍM (page 4).

Ak bol počas uskladnenia valec ošetrený olejom, motor bude krátko po naštartovaní dymiť. Tento jav je normálny.

PREPRAVA

PRED NALOŽENÍM

Ak motor bežal, nechajte ho vychladnúť aspoň 15 minút pred naložením kosačky na prepravné vozidlo. Horúci motor a výfuk vás môžu popáliť a môžu zapáliť niektoré materiály.

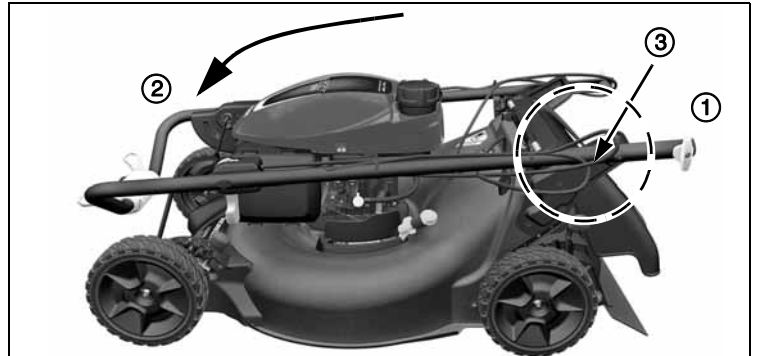
Prepnite palivový ventil do polohy OFF (ZATVORENÝ) (page 9). Predídete tak prípadnému zaliatiu karburátora palivom a znížite riziko vyliatia paliva.

ZLOŽENIE RÚČKY

1. Odoberte zberný kôš. Môžete ho položiť na vrch motora tak, aby otvor zberného koša smeroval dopredu.
2. Podoprite a pridržte rúčku.
3. Odistite doťahovacie hlavice rúčky ① a rúčku sklopte dopredu ② do polohy na uskladnenie.

UPOZORNENIE

Pri sklápaní rúčky do úložnej polohy dávajte pozor, aby sa ovládacie lanká ③ nezachytili, neprivrzli alebo nezalomili. Lanká alebo riadiaci systém by sa mohli poškodiť káblom a kosačka nebude správne fungovať.



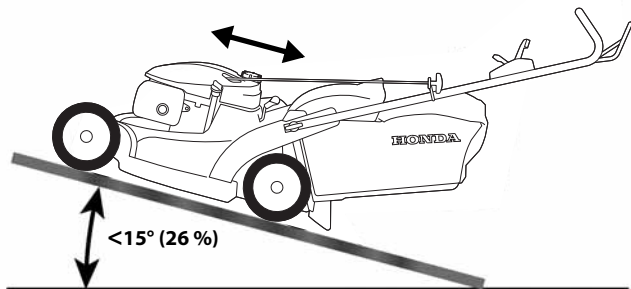
NAKLADANIE A VYKLADANIE

Kosačku položte tak, aby bola všetkými štyrmi kolesami postavená rovno na prepravnej ploche vozidla. Kosačku upevnite použitím lana alebo popruhov a zaistite kolesá. Upevňovacie lano alebo popruhy vedte mimo ovládacích prvkov, nastavovacích pák, laniek a karburátora.

UPOZORNENIE

Pri výjazde alebo zjazde z nakladacej rampy nepoužívajte pohonný systém, aby ste nestratili kontrolu nad kosačkou a aby ste ju nepoškodili.

1. Prepnete palivový ventil do polohy OFF (ZATVORENÝ).
2. Použite primeranú nakladaciu rampu. Nakladaciu rampu nastavte tak, aby bola naklonená v uhle menšom ako 15° (26 % sklon). Ak nakladacia rampa nie je dostupná, kosačku by mali nakladať a vykladať z transportného vozidla dvaja ľudia, držiac kosačku vo vodorovnej polohe.



UŽITOČNÉ INFORMÁCIE

NÁJDITE AUTORIZOVANÉHO PREDAJCU

Pozri page 19.

AKTUÁLNE DIELY, DOPLNKOVÉ PRÍSLUŠENSTVO A SPOTREBNÝ MATERIÁL

Ak si chcete kúpiť jeden z nižšie uvedených originálnych dielov alebo akýkoľvek iný diel, kontaktujte autorizovaného predajcu značky Honda.

Položka	Číslo dielu	Poznámky
Vzduchový filter	17211-Z8B-901	Papierový
Sviečka zapaľovania	98079-55846	NGK (značka) BPR5ES
Žacie nože:		Vždy použite spodné aj vrchné nože ako sadu.
spodné	72511-VR8-M00	
vrchné	72531-VR8-M00	
Skrutka žacích nožov (2)	90105-960-710	musia byť 2, 10 x 20 mm
Podložka na skrutku (2)	90502-VG3-000	musia byť 2
Koleso/pneumatika	44710-VR8-N00	Predné
	42710-VR8-N00	Zadné

! POZOR

V záujme bezpečnosti je prísne zakázané inštalovať akékoľvek iné než vyššie uvedené príslušenstvo, ktoré je špeciálne navrhnuté pre model a typ vašej kosačky.



TECHNICKÉ ÚDAJE

MODEL	HRN536C1	
TYP	VKEA	VYEA
OPISNÝ KÓD	MCHF	
FUNKCIA	Kosenie trávy	

VŠEOBECNÉ

Rozmery D x Š x V	1 550 x 575 x 1 035 mm	
Suchá hmotnosť	36 kg	40 kg
Šírka záberu	530 mm	
Nastavenia výšky kosenia	27 mm, 39 mm, 51 mm, 64 mm, 76 mm, 88 mm, 100 mm	
Objem zberného koša	70 l	
Hladina akustického tlaku v ušiach operátora (podľa EN ISO5395-2:2013 + A1:2016 + A2:2017)	84,8 dB(A)	85,4 dB(A)
Nepresnosť	1 dB(A)	
Meraná hladina akustického výkonu (podľa smerníc 2000/14/ES, 2005/88/ES)	96,68 dB(A)	96,33 dB(A)
Nepresnosť	0,78 dB(A)	0,64 dB(A)
Garantovaná hladina akustického výkonu (podľa smerníc 2000/14/ES, 2005/88/ES)	98 dB(A)	
Skúška vibrácií (podľa EN ISO5395-2:2013 + A1:2016 + A2:2017)*	3,87 m/s ²	5,39 m/s ²
Nepresnosť (EN12096)	0,45 m/s ²	0,63 m/s ²

MOTOR

Model	GCV170A
Typ	4-taktný, jeden valec, vertikálny hriadeľ
Zdvihový objem	166 cm ³
Vrtanie a zdvih	60 x 59 mm
Chladenie	Vzduchom
Mazanie	Rozstrekom
Kompresný pomer	8,0:1
Maximálne otáčky motora	2 950 ⁺⁰ ₋₁₀₀ min ⁻¹
Čistý výkon **	3,6 kW
Menovitý výkon	3,2 kW
Zapaľovanie	Tranzistorové magnetické
Sviečka zapaľovania	NGK: BPR5ES
Odtrh elektród sviečky zapaľovania	0,7 ~ 0,8 mm
Vzduchový filter	Suchý typ
Odporúčané palivo	Bezolovnatý benzín E10
Objem palivovej nádrže	0,91 l
Odporúčaný olej	SAE 5W-30, 10W-30, API SJ alebo novší
Objem oleja v motore	0,40 l *** Objem náplne: 0,35 ~ 0,40 l
Emisie oxidu uhličitého (CO ₂) ****	Hodnoty CO ₂ motora značky Honda nájdete na stránke www.honda-engines-eu.com/co2

POHON

Typ	Smart Drive s variabilnou rýchlosťou
Spojenie motor – prevodovka	Klinový remeň
Hlavná spojka	Typ s preklzujúcim remeňom
Rýchlosť kosačky	0 ~ 1,7 m/s
Odporúčaná kvapalina	SAE 10W-30, API SN alebo novší

* Hodnoty platné pre stroj vybavený zberným košom na trávu v polohe zberača trávy.

** Menovitý výkon motora uvedený v tomto dokumente predstavuje čistý výkon testovaný na sériovom motore pre model motora GCV170A a meraný podľa SAE J1349 pri $3\,600\text{ min}^{-1}$ (Čistý výkon). Hodnota sériovo vyrábaných motorov sa môže od tejto hodnoty líšiť. Skutočný výkon motora inštalovaného v konečnom stroji sa bude líšiť v závislosti od mnohých faktorov, vrátane prevádzkových otáčok motora pri použití, podmienok prostredia, údržby a iných premenných.

*** Skutočné množstvo sa bude líšiť podľa toho, koľko oleja zostalo v motore. Na zmeranie aktuálnej hladiny vždy použite mierku oleja (pozri page 7).

**** Toto meranie CO_2 je výsledkom testovania počas stáleho skúšobného cyklu v laboratórnych podmienkach (základného) motora predstavujúceho typ motora (radu motorov) a nepredstavuje ani nevyjadruje žiadnu záruku výkonu konkrétneho motora.

Major Honda distributor addresses

Adresses des principaux concessionnaires Honda

Adressen der wichtigsten Honda-Haupthändler

Adressen van Honda-importeurs

Elenco dei maggiori distributori Honda in Europa

ADRESSER TILL STÖRRE HONDA-ÅTERFÖRSÄLJARE

ADRESY HLAVNÝCH OBCHODNÝCH ZASTÚPENÍ Honda

AUSTRIA

Honda Motor Europe Ltd
Hondastraße 1
2351 Wiener Neudorf
Tel.: +43 (0)2236 690 0
Fax: +43 (0)2236 690 480
http://www.honda.at
✉ HondaPP@honda.co.at

BALTIC STATES

(Estonia/Latvia/
Lithuania)

NCG Import Baltics OU
Meistri 12
13517 Tallinn
Harju County Estonia
Tel.: +372 651 7300
Fax: +372 651 7301
✉ info.baltic@ncgimport.com

BELARUS

JV "Scanlink" Ltd
Montazhnikov lane 4th, 5-16
Minsk 220019
Republic of Belarus
Tel.: +375172349999
Fax: +375172380404
✉ honda@scanlink.by

BELGIUM

Honda Motor Europe Ltd
Doornveld 180-184
1731 Zellik
Tel.: +32 2620 10 00
Fax: +32 2620 10 01
http://www.honda.be
✉ bh_pe@honda-eu.com

BULGARIA

Premium Motor Ltd
Andrey Lyapchev Blvd no 34
1797 Sofia
Bulgaria
Tel.: +3592 423 5879
Fax: +3592 423 5879
http://www.hondamotor.bg
✉ office@hondamotor.bg

CROATIA

AS Domžale Moto center d.o.o.
Brezence
SI-8216 Mirna Peč
Tel.: +386 1 562 37 00
http://www.honda-as.com
✉ info@honda-as.com

CYPRUS

Powerline Products Ltd
Cyprus - Nicosia
Vasilias 18 2232 Latsia
Tel.: 0035799490421
✉ info@powerlinecy.com
http://www.powerlinecy.com

CZECH REPUBLIC

BG Technik cs, a.s.
U Zavodiste 251/8
15900 Prague 5 - Velka
Chuchle
Tel.: +420 2 838 70 850
Fax: +420 2 667 111 45
http://www.honda-stroje.cz

DENMARK

TIMA A/S
Ryttermarken 10
DK-3520 Farum
Tel.: +45 36 34 25 50
Fax: +45 36 77 16 30
http://www.tima.dk

FINLAND

OY Brandt AB.
Tuupakantie 7B
01740 Vantaa
Tel.: +358 207757200
Fax: +358 9 878 5276
http://www.brandt.fi

FRANCE

Honda Motor Europe Ltd
Division Produit d'Equipe-
ment
Parc d'activités de Pariest,
Allée du 1er mai
Croissy Beaubourg BP46, 77312
Marne La Vallée Cedex 2
Tel.: 01 60 37 30 00
Fax: 01 60 37 30 86
http://www.honda.fr
✉ espace-client@honda-eu.com

GERMANY

Honda Deutschland
Niederlassung der Honda Motor
Europe Ltd.
Hanauer Landstraße 222-224
D-60314 Frankfurt
Tel.: 01805 20 20 90
Fax: +49 (0)69 83 20 20
http://www.honda.de
✉ info@post.honda.de

GREECE

Technellas S.A.
92 Athinon Ave
10442 Athens, Greece
Tel.: +30 210 519 31 10
Fax: +30 210 519 31 14
✉ mail@technellas.gr

HUNGARY

MP Motor Co., Ltd.
Kamaraerdei ut 3.
2040 Budaors
Tel.: +36 23 444 971
Fax: +36 23 444 972
http://www.hondakisgepek.hu
✉ info@hondakisgepek.hu

IRELAND

Two Wheels ltd
M50 Business Park, Ballymount
Dublin 12
Tel.: +353 1 4381900
Fax: +353 1 4607851
http://www.hondaireland.ie
✉ sales@hondaireland.ie

ISRAEL

Mayer's Cars and Trucks Co.Ltd. -
Honda Division
Shevach 5, Tel Aviv, 6777936
Israel
+972-3-6953162
✉ OrenBe@mct.co.il

ITALY

Honda Motore Europe Ltd
Via della Cecchignola, 13
00143 Roma
Tel.: +848 846 632
Fax: +39 065 4928 400
http://www.hondaitalia.com
✉ info.power@honda-eu.com

NORTH MACEDONIA

AS Domžale Moto center d.o.o.
Brezence
SI-8216 Mirna Peč
Tel.: +386 1 562 37 00
http://www.honda-as.com
✉ info@honda-as.com

MALTA

The Associated Motors
Company Ltd.
New Street in San Gwakkın Road
Mriehel Bypass, Mriehel QRM17
Tel.: +356 21 498 561
Fax: +356 21 480 150
✉ mgalea@gasanzammit.com

NORWAY

Berema AS
P.O. Box 454 1401 Ski
Tel.: +47 64 86 05 00
Fax: +47 64 86 05 49
http://www.berema.no
✉ berema@berema.no

POLAND

Aries Power Equipment
Puławska 467
02-844 Warszawa
Tel.: +48 (22) 861 43 01
Fax: +48 (22) 861 43 02
http://www.ariespower.pl
✉ info@ariespower.pl

PORTUGAL

GROW Productos de Forca
Portugal
Rua Fontes Pereira de Melo, 16
Abrunheira, 2714-506 Sintra
Tel.: +351 211 303 000
Fax: +351 211 303 003
http://www.grow.com.pt
✉ geral@grow.com.pt

ROMANIA

Agrisorg SRL
Sacadat Str Principala
Nr 444/A Jud. Bihor
Romania
Tel.: (+4) 0259 458 336
✉ info@agrisorg.com

SERBIA & MONTENEGRO

AS Domžale Moto center d.o.o.
Brezence
SI-8216 Mirna Peč
Tel.: +386 1 562 37 00
http://www.honda-as.com
✉ info@honda-as.com

SLOVAK REPUBLIC

Honda Motor Europe Ltd
Slovensko, organizačná zložka
Prievozská 6 821 09 Bratislava
Tel.: +421 2 32131111
Fax: +421 2 32131112
http://www.honda.sk

SLOVENIA

AS Domžale Moto center d.o.o.
Brezence
SI-8216 Mirna Peč
Tel.: +386 1 562 37 00
http://www.honda-as.com
✉ info@honda-as.com

SPAIN & all Provinces

Greens Power Products, S.L.
Poligono Industrial Congost –
Av Ramon Ciu-rans n°2
08530 La Garriga - Barcelona
Tel.: +34 93 860 50 25
Fax: +34 93 871 81 80
http://www.hondaencasa.com

SWEDEN

Honda Motor Europe Ltd filial
Sverige
Box 31002 - Långhusgatan 4
215 86 Malmö
Tel.: +46 (0)40 600 23 00
Fax: +46 (0)40 600 23 19
http://www.honda.se
✉ hpesinfo@honda-eu.com

SWITZERLAND

Honda Motor Europe Ltd.
Succursale de Satigny/Genève
Rue de la Bergère 5
1242 Satigny
Tel.: +41 (0)22 989 05 00
Fax: +41 (0)22 989 06 60
http://www.honda.ch

TURKEY

Anadolu Motor Uretim Ve
Pazarlama As
Sekerpinar Mah
Albayrak Sok No 4
Cayirova 14120
Kocaeli
Tel.: +90 262 999 23 00
Fax: +90 262 658 94 17
http://www.anadolumotor.com.tr
✉ antor@antor.com.tr

UKRAINE

Dnipro Motor LLC
3, Bondarsky Alley,
Kyiv, 04073, Ukraine
Tel.: +380 44 537 25 76
Fax: +380 44 501 54 27
✉ igor.lobunets@honda.ua

UNITED KINGDOM

Honda Motor Europe Ltd
Cain Road
Bracknell
Berkshire
RG12 1 HL
Tel.: +44 (0)845 200 8000
http://www.honda.co.uk

UK Declaration of Conformity

The undersigned, *2, representing the manufacturer, herewith declares that the machinery described below fulfils all the relevant provisions of:

- The Supply of Machinery (Safety) Regulations 2008 SI 2008 No. 1597
- The Electromagnetic Compatibility Regulations 2016 SI 2016 No. 1091
- The Noise Emission in the Environment by Equipment for use Outdoors Regulations 2001 SI 2001 No. 1701
- The Restriction of the Use of Certain Hazardous Substances in Electrical and Electronic Equipment Regulations 2012 SI 2012 No. 3032

Description of the machinery

- Product: Pedestrian-controlled lawnmower
- Function: Cutting of grass

Model	Type	Serial number
*1	*1	

Manufacturer:

- Honda France Manufacturing S.A.S.
Pôle 45 - Rue des Châtaigniers
45140 ORMES – France

Authorized representative and able to compile the technical documentation

- Honda Motor Europe Ltd
Cain Road, Bracknell, Berkshire,
RG12 1HL, United Kingdom

References to applied standards

- EN ISO 14982: 2009
- EN ISO 5395-1:2013 + A1:2018
- EN ISO 5395-2:2013 + A1:2016 + A2:2017

The Noise Emission in the Environment by Equipment for use Outdoors Regulations 2001 - SI 2001 No. 1701

	Measured sound power (dB(A)):	Guaranteed sound power (dB(A)):	Noise parameter (cm/min-1):	Conformity assessment procedure:
*1	*1	*1	*1	*2

- Approved body: *2

Done at: ORMES – FRANCE

Date: *2

*2

President
Honda France Manufacturing S.A.S.

*1: see specification page

*2: see original UK Declaration of Conformity

*1: voir page de spécifications

*2: voir la Déclaration UK de Conformité originale

*1: Siehe Spezifikationen-Seite

*2: Siehe ursprüngliche UK-Konformitätserklärung

*1: Zie specificities pagina

*2: Zie ook de originele UK-verklaring van overeenstemming

*1: vedi la pagina delle caratteristiche tecniche

*2: V. Dichiarazione UK di Conformità originale

*1: Se specifikationssidan

*2: Se ursprunglig UK-försäkran om överensstämmelse

*1: pozrite si stranu so špecifikáciami.

*2: pozrite si originál vyhlásenia o zhode pre Spojené kráľovstvo.

EC Declaration of Conformity

1. The undersigned, *2, representing the manufacturer, herewith declares that the machinery described below fulfils all the relevant provisions of:

- Directive 2006/42/EC on machinery
- Directive 2014/30/EU on electromagnetic compatibility
- Directive 2000/14/EC – 2005/88/EC on outdoor noise
- Directive 2011/65/EU - (EU) 2015/863 on the restriction of the use of certain hazardous substances in electrical and electronic equipment

2. Description of the machinery

- a) Product: Pedestrian-controlled lawnmower
b) Function: Cutting of grass

c) Model	d) Type	e) Serial number
*1	*1	

3. Manufacturer and able to compile the technical documentation

- Honda France Manufacturing S.A.S.
Pôle 45 - Rue des Châtaigniers
45140 ORMES – France

4. Reference to applied standards

- EN ISO 14982:2009
- EN ISO 5395-1:2013 + A1:2018
- EN ISO 5395-2:2013 + A1:2016 + A2:2017

5. Outdoor Noise Directive

a) Measured sound power (dB(A)):	b) Guaranteed sound power (dB(A)):	c) Noise parameter (cm/min-1):	d) Conformity assessment procedure:
*1	*1	*1	*2

e) Notified body: *2

6. Done at: ORMES – FRANCE

7. Date: *2

*2
President
Honda France Manufacturing S.A.S.

*1: see specification page

*2: see original EC Declaration of Conformity

*1: voir page de spécifications

*2: voir la Déclaration CE de Conformité originale

*1: Siehe Spezifikationen-Seite

*2: Siehe ursprüngliche EG-Konformitätserklärung

*1: Zie specificities pagina

*2: Zie ook de originele EG-verklaring van overeenstemming

*1: vedi la pagina delle caratteristiche tecniche

*2: V. Dichiarazione CE di Conformità originale

*1: Se specifikationsidan

*2: Se ursprunglig EG-försäkran om överensstämmelse

*1: pozrite si stranu so špecifikáciami.

*2: pozrite si originál vyhlásenia o zhode ES.

<p>Français (French) Déclaration CE de Conformité</p> <p>1. Le soussigné, *2, représentant du constructeur, déclare que la machine décrite ci-dessous répond à toutes les dispositions applicables de</p> <p>* Directive Machine 2006/42/CE * Directive 2014/30/UE en lien avec la compatibilité électromagnétique * Directive 2000/14/CE – 2005/88/CE des émissions sonores dans l'environnement des matériels destinés à être utilisés à l'extérieur des bâtiments * Directive 2011/65/UE - (UE) 2015/863 relative à la limitation de l'utilisation de certaines substances dangereuses dans les équipements électriques et électroniques</p> <p>2. Description de la machine a) Produit: Tondeuses à gazon à conducteur à pied b) Fonction : couper de l'herbe (tondre) c) Modèle d) Type e) Numéro de série 3. Constructeur et en charge des éditions de documentation techniques 4. Référence aux normes appliquées 5. Directive des émissions sonores dans l'environnement des matériels destinés à être utilisés à l'extérieur des bâtiments a) Puissance acoustique mesurée b) Puissance acoustique garantie c) Paramètre du bruit d) Procédure d'évaluation de conformité e) Organisme notifié</p> <p>6. Fait à _____ 7. Date _____</p>	<p>Italiano (Italian) Dichiarazione CE di Conformità</p> <p>1. Il sottoscritto, *2, in rappresentanza del costruttore, dichiara qui di seguito che la macchina sotto descritta soddisfa tutte le disposizioni pertinenti delle:</p> <p>* Direttiva macchine 2006/42/CE * Direttiva 2014/30/UE sulla compatibilità elettromagnetica * Direttiva sulla emissione acustica delle macchine e attrezzature destinate a funzionare all'aperto 2000/14/CE – 2005/88/CE * Direttiva 2011/65/UE - (UE) 2015/863 sulla restrizione dell'uso di determinate sostanze pericolose nelle apparecchiature elettriche ed elettroniche</p> <p>2. Descrizione della macchina a) Prodotto: Tosaerba con operatore al seguito b) Funzione : Taglio di erba c) Modello d) Tipo e) Numero di serie 3. Costruttore e competente per la compilazione della documentazione tecnica 4. Riferimento alle norme applicate 5. Direttiva sulla emissione acustica delle macchine e attrezzature destinate a funzionare all'aperto a) Livello di potenza sonora misurato b) Livello di potenza sonora garantito c) Parametri emissione acustica d) Procedura di valutazione della conformità e) Organismo notificato</p> <p>6. Fatto a _____ 7. Data _____</p>	<p>Deutsch (German) EG-Konformitätserklärung</p> <p>1. Der Unterzeichner, *2 der den Hersteller vertritt, erklärt hiermit dass das hierunter genannte Maschine allen einschlägigen Bestimmungen der * entspricht.</p> <p>* Maschinrichtlinie 2006/42/EG * Richtlinie 2014/30/EU über die elektromagnetische Verträglichkeit * Geräuschrichtlinie im Freien 2000/14/EG – 2005/88/EG * Richtlinie 2011/65/UE - (EU) 2015/863 zur Beschränkung der Verwendung bestimmter gefährlicher Stoffe in Elektro- und Elektronikgeräten</p> <p>2. Beschreibung der Maschine a) Produkt: Handgeführte Rasenmäher b) Funktion : Gras schneiden c) Modell d) Typ e) Seriennummer 3. Hersteller und in der Position, die technische Dokumentation zu erstellen 4. Verweis auf aufwendbare Standards 5. Geräuschrichtlinie im Freien a) gemessene Lautstärke b) Schalleistungspegel c) Geräuschvorgabe d) Konformitätsbewertungs Ablauf e) Benannte Stelle</p> <p>6. Ort _____ 7. Datum _____</p>
<p>Nederlands (Dutch) EG-verklaring van overeenstemming</p> <p>1. Ondergetekende, *2, vertegenwoordiger van de constructeur, verklaart hiermee dat het hieronder beschreven machine voldoet aan alle toepasselijke bepalingen van:</p> <p>* Richtlijn 2006/42/EG betreffende machines * Richtlijn 2014/30/UE betreffende elektromagnetische overeenstemming * Richtlijn 2000/14/EG – 2005/88/EG betreffende geluidsemissie (openlucht) * Richtlijn 2011/65/UE - (EU) 2015/863 betreffende beperking van het gebruik van bepaalde gevaarlijke stoffen in elektrische en elektronische apparatuur</p> <p>2. Beschrijving van de machine a) Product: Handgeleide grasmaaier b) Functie : gras maaien c) Model d) Type e) Serienummer 3. Fabrikant en in staat om de technische documentatie samen te stellen 4. Referentie voor toegepaste normen 5. Geluidsemissierichtlijn (openlucht) a) Gemeten geluidsvermogensniveau b) Gewaarborgd geluidsvermogensniveau c) Geluidsparameter d) Conformiteitsbeoordelingsprocedure e) Aangemelde instantie</p> <p>6. Plaats _____ 7. Datum _____</p>	<p>Dansk (Danish) EU OVERENSTEMMELSEERKLÆRING</p> <p>1. UNDERTEGNEDE, *2, SOM REPRÆSENTERER PRODUCENTEN, ERKLÆRER HERMED AT MASKINEN, SOM ER BESKREVT NEDENFOR, OPFYLDER ALLE RELEVANTE BESTEMMELSER IFØLGE:</p> <p>* MASKINDIREKTIV 2006/42/EF * DIREKTIV 2014/30/EU OM ELEKTROMAGNETISK KOMPATIBILITET * DIREKTIV OM STØJEMISSION 2000/14/EF – 2005/88/EF * direktiv 2011/65/EU - (EU) 2015/863 om begrænsning af anvendelsen af visse farlige stoffer i elektrisk og elektronisk udstyr</p> <p>2. BESKRIVELSE AF PRODUKTET A) PRODUKT : PLÆNEKLIPPER BETJENT AF GÅENDE BRUGER B) ANVENDELSE : GRÆSKLIPNING C) MODEL D) TYPE E) SERIENUMMER 3. PRODUCENT OG I STAND TIL AT UDARBEJDE DEN TEKNISKE DOKUMENTATION 4. HENVISNING TIL ANVENDTE STANDARDER 5. DIREKTIV OM STØJEMISSION FRA MASKINER TIL UDENDØRS BRUG A) MÅLT LYEFFEKTNIVEAU B) GARANTERET LYEFFEKTNIVEAU C) STØJPARAMETER D) PROCEDURE FOR OVERENSTEMMELSESVURDERING E) BEMYNDIGET ORGAN</p> <p>6. STED _____ 7. DATO _____</p>	<p>Ελληνικά (Greek) ΕΚ-Δήλωση συμμόρφωσης</p> <p>1. Ο κάτωθι υπογεγραμμένος, *2, εκπροσωπώντας τον κατασκευαστή, δηλώνω ότι το παρακάτω περιγραφόμενο όχημα πληροί όλες τις σχετικές προδιαγραφές του:</p> <p>* Οδηγία 2006/42/ΕΚ για μηχανές * Οδηγία 2014/30/ΕΕ σχετικά με την ηλεκτρομαγνητική συμβατότητα * Οδηγία 2000/14/ΕΚ – 2005/88/ΕΕ για το επίπεδο θορύβου σε εξωτερικούς χώρους. * Οδηγία 2011/65/ΕΕ - (ΕΕ) 2015/863 για τον περιορισμό της χρήσης ορισμένων επικίνδυνων ουσιών σε ηλεκτρικά και ηλεκτρονικά εξοπλισμό</p> <p>2. Περιγραφή μηχανήματος a) προϊόν: Χλοοκοπτικό ελεγχόμενο από πεζό b) Λειτουργία : για κόψιμο γρασιδιού c) Μοντέλο d) Τύπος e) Αριθμός σειράς παραγωγής 3. Κατασκευαστής και να είναι σε θέση να καταρτίσει τον τεχνικό φάκελο 4. Παραπομπή στα ισχύοντα πρότυπα 5. Οδηγία επιπέδου θορύβου εξωτερικών χώρων a) Μετρηθείσα ηχητική ένταση b) Εγγυημένη ηχητική ένταση c) Ηχητική παράμετρος d) Διαδικασία πιστοποίησης e) Οργανισμός πιστοποίησης</p> <p>6. Η δοκιμή έγινε _____ 7. Ημερομηνία _____</p>
<p>Svenska (Swedish) EG-försäkran om överensstämmelse</p> <p>1. Undertecknad, *2, representerande för tillverkaren, deklarerar härmed att maskinen beskriven nedan fullföljer alla relevanta bestämmelser enligt:</p> <p>* Direktiv 2006/42/EG gällande maskiner * Direktiv 2014/30/UE på elektromagnetisk kompatibilitet * Direktiv 2000/14/EG – 2005/88/EG gällande buller utomhus * direktiv 2011/65/UE - (EU) 2015/863 om begränsning av användning av vissa farliga ämnen i elektrisk och elektronisk utrustning</p> <p>2. Maskinbeskrivning a) Produkt: Gå bakom gräsklippare b) Funktion : gräsklippning c) Modell d) Typ e) Serienummer 3. Tillverkare och ska kunna sammanställa teknisk dokumentationen. 4. Referens för tillämpad standard 5. Direktiv för buller utomhus a) Uppmätt ljudnivå b) Garanterad ljudnivå c) Buller parameter d) Förfarande för bedömning e) Anmälda organ</p> <p>6. Utfärdat vid _____ 7. Datum _____</p>	<p>Español (Spanish) Declaración de Conformidad CE</p> <p>1. El firmante, *2, en representación del fabricante, adjunto declara que la máquina abajo descrita, cumple las cláusulas relevantes de:</p> <p>* Directiva 2006/42/CE de máquinas * Directiva 2014/30/UE sobre compatibilidad electromagnética * Directiva 2000/14/CE – 2005/88/CE de ruido exterior * Directiva 2011/65/UE - (UE) 2015/863 sobre restricciones a la utilización de determinadas sustancias peligrosas en aparatos eléctricos y electrónicos</p> <p>2. Descripción de la máquina a) Producto: Cortacésped de mano b) Función : Cortar el césped c) Modelo d) Tipo e) Número de serie 3. Fabricante que puede compilar el expediente técnico 4. Referencia a normas aplicadas 5. Directiva sobre ruido exterior a) Potencia sonora Medida b) Potencia sonora Garantizada c) Parámetros ruido d) Procedimiento evaluación conformidad e) Organismo notificado</p> <p>6. Realizado en _____ 7. Fecha _____</p>	<p>Română (Romanian) CE -Declaratie de Conformitate</p> <p>1. Subsemnatul *2, reprezentand producatorul, declar prin prezenta faptul ca echipamentul descris mai jos indeplineste toate conditiile necesare din:</p> <p>* Directiva 2006/42/CE privind echipamentul * Directiva 2014/30/UE privind compatibilitatea electromagnetica * Directiva 2000/14/CE – 2005/88/CE privind poluarea fonica in spatiu deschis * Directiva 2011/65/UE - (UE) 2015/863 privind restrictiile de utilizare a anumitor substante periculoase în echipamentele electrice și electronice</p> <p>2. Descrierea echipamentului a) Produsul: Mașină de tuns gazon cu utilizator în picioare b) Domeniul de utilizare : tunderea ierbilor c) Model d) Tip e) Serie produs 3. Producator și abilitat să realizeze documentație tehnică 4. Referință la standardele aplicate 5. Directiva privind poluarea fonica in spatiu inchis a) Puterea acustica masurata b) Putere acustica maxim garantata c) Indice poluare fonica d) Procedura de evaluare a conformitatii e) Notificari</p> <p>6. Emisa la _____ 7. Data _____</p>
<p>Português (Portuguese) Declaração CE de Conformidade</p> <p>1. O abaixo assinado, *2, representante do fabricante, declara que a máquina abaixo descrita cumpre todas as estipulações relevantes da:</p> <p>* Directiva 2006/42/CE de máquina * Directiva 2014/30/UE relativa à compatibilidade electromagnética * Directiva 2000/14/CE – 2005/88/CE de ruído exterior * Directiva 2011/65/UE - (UE) 2015/863 relativa à restrição do uso de determinadas substâncias perigosas em equipamentos eléctricos e electrónicos</p> <p>2. Descrição da máquina a) Produto: Corta relva com operador apeado b) Função : corte de relva c) Modelo d) Tipo e) Número de série 3. Fabricante com capacidade para compilar documentação técnica 4. Referência às normas aplicadas 5. Directiva de ruído exterior a) Potência sonora medida b) Potência sonora garantida c) Parametro de ruído d) Procedimento de avaliação da conformidade e) Organismo notificado</p> <p>6. Feito em _____ 7. Data _____</p>	<p>Polski (Polish) Deklaracja Zdgodności WE</p> <p>1. Niżej podpisany *2, reprezentujący producenta, niniejszym deklaruje, że urządzenie opisane poniżej spełnia wszelkie właściwe postanowienia:</p> <p>* Dyrektywy maszynowej 2006/42/WE * Dyrektywa 2014/30/UE Kompatybilności Elektromagnetycznej * Dyrektywa Hałasowa 2000/14/WE – 2005/88/WE * Dyrektywy 2011/65/UE - (UE) 2015/863 w sprawie ograniczenia stosowania niektórych niebezpiecznych substancji w sprzęcie elektrycznym i elektronicznym</p> <p>2. Opis urządzenia: a) Produkt: Kosiarka prowadzona przez piesze b) Funkcja: ścinanie trawy c) Model d) Typ e) Numer seryjny 3. Producent oraz osoba upoważniona do przygotowania dokumentacji technicznej 4. Odniesienie do zastosowanych norm 5. Dyrektywa Hałasowa a) Zmierzoney poziom mocy akustycznej b) Gwarantowany poziom mocy akustycznej c) Wartość hałasu d) Procedura oceny zgodności e) Jednostka notyfikowana</p> <p>6. Miejsce _____ 7. Data _____</p>	<p>Suomi / Suomen kielii (Finnish) EY-VAATIMUSTENMUKAISUUSVAKUUTUS</p> <p>1. Allekirjoittanut valmistajan edustaja *2 vakuuttaa täten, että alla mainittu kone/tuote täyttää kaikki seuraavia määräyksiä:</p> <p>* Konedirektiivi 2006/42/EY * Direktiivi 2014/30/EU sähkömagneettinen yhteensopivuus * Direktiivi 2000/14/EY – 2005/88/EY ympäristön melu * direktiivi 2011/65/EU - (EU) 2015/863 tietyjen vaarallisten aineiden käytön rajoittamisesta sähkö- ja elektroniikkalaitteissa</p> <p>2. TUOTTEEN KUVAUS a) Tuote: Työnnettävä ruohonleikkuri b) Toiminto : ruohon leikkaus c) Malli d) TYYPI e) SARJANUMERO 3. Valmistaja ja tekniikan dokumenttien laatija 4. Viittaus sovellettiin standardeihin 5. Ympäristön meludirektiivi a) Mitattu melutaso b) Todenmukainen melutaso c) Melu parametrit d) Yhdenmukaisuuden arvioinnin menetelmä e) Tiedonantoelin</p> <p>6. TEHTY _____ 7. PÄIVÄMÄÄRÄ _____</p>

<p>Magyar (Hungarian) EK-megfelelőségi nyilatkozata</p> <p>1. Alulírott *2, mint a gyártó képviselője nyilatkozom, hogy az általunk gyártott gép megfelel az összes, alább felsorolt direktívának: * 2006/42/EK Direktívának berendezésekre * Irányelv 2014/30/EU megfelelnek az elektromágneses * 2000/14/EK – 2005/88/EK Direktívának kulturei zajszintre * Tanács 2011/65/EU - (EU) 2015/863 egyes veszélyes anyagok elektromos és elektronikus berendezéseken való alkalmazásának korlátozásáról</p> <p>2. A gép leírása a) Termék: Nem önjáró, tolós fűnyíró b) Funkció: fű levágása c) Modell d) Tipus e) Sorozatszám 3. Gyártó és képes összeállítani a műszaki dokumentációt. 4. Referencia az alkalmazott szabványokhoz 5. Kulturei zajszint Direktíva a) Mért hangerő b) Szavatolt hangerő c) Zajszint paraméter d) Megfelelőségi becslési eljárás e) Kijelölt szervezet 6. Keltetés helye 7. Keltetés ideje</p>	<p>Cestina (Czech) ES – Prohlášení o shodě</p> <p>1. Zásupce výrobce, *2 svým podpisem potvrzuje, že stroj popsaný níže splňuje požadavky příslušných opatření: * Směrnice 2006/42/ES pro strojní zařízení * Směrnice 2014/30/EU týkající se elektromagnetické kompatibility * Směrnice 2000/14/ES – 2005/88/ES stanovující technické požadavky na výrobky z hlediska emisí hluku zařízení pro venkovní použití * Rady 2011/65/EU - (EU) 2015/863 o omezení používání některých nebezpečných látek v elektrických a elektronických zařízeních</p> <p>2. Popis zařízení a) Výrobek: Ručně vedená zahradní sekačka b) Funkce: Sekání trávy c) Model d) Typ e) Výrobní číslo 3. Výrobce a osoba pověřená komplectací technické dokumentace 4. Odkaz na platné standardy 5. Směrnice pro hluk pro venkovní použití a) Naměřený akustický výkon b) Garantovaný akustický výkon c) Parametr hluku d) Způsob posouzení shody e) Notifikovaná osoba 6. Podepsáno v 7. Datum</p>	<p>Latviešu (Latvian) EK atbilstības deklarācija</p> <p>1. Zemāk minētais *2, kā ražotāja pārstāvis ar šo apstiprina, ka zemāk aprakstītie mašīna, atbilst visām zemāk norādīto direktīvu sadaļām: * Direktīva 2006/42/EK par mašīnām * Direktīva 2014/30/ES par elektromagnētisko saderību * Direktīva 2000/14/EK – 2005/88/EK par trokšņa emisiju viedē * Direktīva 2011/65/ES - (ES) 2015/863 par dažu bīstamu vielu izmantošanas ierobežošanu elektriskās un elektroniskās iekārtās</p> <p>2. Iekārtas apraksts a) Produkts: Rokas zāles pļāvējs b) Funkcija: zāles pļaušana c) Modelis d) Tips e) Sērijas numurs 3. Ražotājs, kas spēj sastādīt tehniisko dokumentāciju 4. Atsauce uz piemērotajiem standartiem 5. Ārējo trokšņu Direktīva a) Izmērītā trokšņa līdums b) Pieļaujama trokšņa līdums c) Trokšņa parametri d) Atbilstības vērtējuma procedūra e) Informētā iestāde 6. Vieta 7. Datums</p>
<p>Slovenčina (Slovak) ES vyhlásenie o zhode</p> <p>1. Doluopísaný pán *2 zastupujúci výrobca týmto vyhlasuje, že uvedený strojčie je v zhode s nasledovnými smernicami: * Smernica 2006/42/ES (Strojné zariadenia) * Smernica 2014/30/EU na elektromagnetickú kompatibilitu * Smernica 2000/14/ES – 2005/88/ES (Emisie hluku) * Rady 2011/65/EU - (EU) 2015/863 o obmedzení používania určitých nebezpečných látok v elektrických a elektronických zariadeniach</p> <p>2. Popis stroja a) Produkt: Ručne vedená kosačka na trávu b) Funkcia: Kosenie trávy c) Model d) Typ e) Výrobné číslo 3. Výrobca a schopný zostaviť technickú dokumentáciu 4. Referencia na použité normy 5. Smernica pre emisie hluku vo voľnom priestranstve a) Nameraná hladina akustického výkonu b) Zaručená hladina akustického výkonu c) Rozmer d) Procedúra posudzovania zhody e) Notifikovaná osoba 6. Miesto 7. Dátum</p>	<p>Eesti (Estonian) EÜ vastavusdeklaratsioon</p> <p>1. Allkirjutanu, *2, kinnitab tootja volitatud esindajana, et allpool kirjeldatud masina vastab kõikidele alljärgnevat direktiivide sätetele: * Masinate direktiiv 2006/42/EÜ * Elektromagnetilise ühilduvuse direktiiv 2014/30/EL * Välistõura direktiiv 2000/14/EÜ – 2005/88/EÜ * direktiiv 2011/65/EL - (EL) 2015/863 teatavate ohtlike ainete kasutamise piiramise kohta elektril- ja elektroonikaseadmetes</p> <p>2. Seadmete kirjeldus a) Toode: Käsimurruõuduk b) Funktsioon: muru niitmine c) Mudel d) Tüüp e) Searianumber 3. Tootja, kes on pädev täita tehnilist dokumentatsiooni 4. Viide kohaldatav standarditele 5. Välistõura direktiiv a) Mõõdetud helivõimsuse tase b) Lubatud helivõimsuse tase c) Mõõde parameeter d) Vastavushindamismenetlus e) Teavitatud asutus 6. Koht 7. Kuupäev</p>	<p>Slovensčina (Slovenian) ES izjava o skladnosti</p> <p>1. Spodaj podpisani, *2, ki predstavljam proizvajalca, izjavljam da spodaj opisana stroj ustreza vsem navedenim direktivam: * Direktiva 2006/42/ES o strojih * Direktiva 2014/30/EU o elektromagnetni združljivosti * Direktiva 2000/14/ES – 2005/88/ES o hrupnosti * Direktiva 2011/65/EU - (EU) 2015/863 o omejevanju uporabe nekaterih nevarnih snovi v električni in elektronski opremi</p> <p>2. Opis naprave a) Proizvod: Vrtna kosilnica b) Funkcija: košenje trave c) Model d) Tip e) Serijska številka 3. Proizvajalec ki lahko predloži tehnično dokumentacijo 4. Sklic na uporabljene standarde 5. Direktiva o hrupnosti a) Izmerjena zvočna moč b) Garantirana zvočna moč c) Parameter d) Postopek e) Postopek opravi 6. Kraj 7. Datum</p>
<p>Lietuvių kalba (Lithuanian) EB atitikties deklaracija</p> <p>1. Žemiau pasirašęs, *2 atstovaujantis gamintoją, deklaruoja, kad žemiau aprašyta mašina atitinka visas išvardintų direktyvų nuostatas: * Mechanizmų direktyva 2006/42/EB * Direktiva 2014/30/ES dėl elektromagnetinio suderinamumo * Triukšmo lauke direktyva 2000/14/EB – 2005/88/EB * direktiva 2011/65/ES - (ES) 2015/863 dėl tam tikrų pavojingų medžiagų naudojimo elektros ir elektroninėje įrangoje apribojimo</p> <p>2. Prietaiso aprašymas a) Gaminytis: Pėsčiojo valdoma vejarajovė b) Funkcija: žolės pjovimas c) Modelis d) Tipas e) Serijos numeris 3. Gamintojas ir galintis sudaryti techninę dokumentaciją 4. Nuoroda į taikytus standartus 5. Triukšmo lauke direktyva a) Išmatuotas garso galingumo lygis b) Garantuojamas garso galingumo lygis c) Triukšmo parametras d) Tipas e) Registruota įstaiga 6. Vieta 7. Data</p>	<p>Български (Bulgarian) ЕО декларация за съответствие</p> <p>1. Дополни подписа си *2, представяващ производител, с настоящото декларирам, че машините, описани по-долу, отговарят на всички съответни разпоредби на: * Директива 2006/42/ЕО относно машините * Директива 2014/30/ЕС за електромагнитна съвместимост * Директива 2000/14/ЕО – 2005/88/ЕО относно шумовите емисии на съоръжения, предназначени за употреба извън сградите * Директива 2011/65/ЕС - (ЕС) 2015/863 година относно ограничението за употреба на определени опасни вещества в електрическото и електронното оборудване</p> <p>2. Описание на машините a) Нпродукт: Косачка без самоход b) Функция: косене на трева c) Модел d) Тип e) Серийен номер 3. Производител и отговорник за съставяне на техническа документация 4. Препратка към приложените стандарти 5. Директива относно шумовите емисии на съоръжения, предназначени за употреба извън сградите a) Измерена звукова мощност b) Гарантирана звукова мощност c) Параметърът шум d) Процедурата за оценка на съответствието e) Нотифициран орган 6. Място на изготвяне 7. Дата на изготвяне</p>	<p>Norsk (Norwegian) EF- Samsvarserklæring</p> <p>1. Undertegnede, *2 representerer produsenten og herved erklærer at maskineri beskrevet nedenfor innfrir relevant informasjon fra følgende forskrifter. * Maskindirektivet 2006/42/EF * Direktiv 2014/30/EU om elektromagnetisk kompatibilitet * Direktiv om støy utendørs 2000/14/EF – 2005/88/EF * Direktiv 2011/65/EU - (EU) 2015/863 om restriksjoner av bruk av visse farlige materialer i elektrisk og elektronisk utstyr.</p> <p>2. Beskrivelse av produkt a) Produkt: Gressklipper til å gå bak b) Funksjon: Klippe gress c) Modell d) Type e) Serienummer 3. Produsent og i stand til å utarbeide den tekniske dokumentasjonen 4. Henvisning til brukte standarder 5. Utendørs direktiv får støy a) Målt støy b) Maks støy c) Konstant støy d) Verdi vurderingen prosedyre e) Gjeldene kjøretøy/kropp/stamme/skrog 6. Sted 7. Dato</p>
<p>Türk (Turkish) AT Uygunluk Beyanı</p> <p>1. Aşağıda imzası bulunan *2, üreticinin adına, bu yazıyla birlikte aşağıdaki makine ile ilgili tüm hükümlülüklerin yerine getirildiğini beyan etmektedir: * Makina Emniyet Yönetmeliği 2006/42/AT * Elektromanyetik uyumlulukla ilgili 2014/30/AB no' lu yönetmelik * Açık Alanda Kullanılan Teçhizat Tarafından Oluşturulan Çevredeki Gürültü Emisyonu İle İlgili Yönetmelik 2000/14/AT – 2005/88/AT * 2011/65/AB - (AB) 2015/863 elektrikli ve elektronik ekipmanlarda bazı tehlikeli maddelerin kullanımının yasaklanmasına ilişkin yönetmelik</p> <p>2. Makinanın tanıtı a) Ürün: Yaya kumandalı çim biçme makinesi b) İşlevi: Çimlerin kesilmesi c) Model d) Tipi e) Seri numarası 3. Teknik dosyası hazırlamakla yetkili olan Toplulukta yerleşik İmalatçı 4. Uygulanan standartlara istinaden 5. Açık alan gürültü Yönetmeliği a) Ölçülen ses gücü b) Garant edilmiş ses gücü c) Gürültü parametresi d) Uygunluk değerlendirme prosedürü e) Onaylanmış kuruluş 6. Beyanın yeri: 7. Beyanın tarihi:</p>	<p>Íslenska (Icelandic) EB-Samræmisvirlýsing</p> <p>1. Undirritaður, Mr *2, fyrir hönd framleiðandans, lýsir hér með yfir því að yélin sem lýst er hér að neðan samræmist öllum gildandi ákvæðum tilskipunar: * Leiðbeiningar fyrir vélbúnað 2006/42/EB * TILSKIPUN 2014/30/EU VARDANDI SAMH/EFNI RAFSEGULSVÍÐS * Leiðbeiningar um hávaðamengun 2000/14/EB – 2005/88/EB * Tilskipun 2011/65/EU - (EU) 2015/863 varðan di leiðbeiningar um notkun á hættulegum efnum í raf og rafeinda búnaði</p> <p>2. Lýsing á vélbúnaði a) Okutæk: Sláttuvél b) Virkni: Gras slegið c) Gerð d) Tegund e) Serial númer 3. Framleiðandi og fær um að taka saman tekniskjölín 4. Tilvísun til vðeigandi staðla 5. Leiðbeiningar um hávaðamengun a) Mældur hávaða styrkur b) Staðfestur hávaða styrkur c) Hávaða breytileiki d) Staðfesting á gæðastöðlum e) Merkingar 6. Gert hjá 7. Dagsetning</p>	<p>Hrvatski (Croatian) EK Izjava o skladnosti</p> <p>1. Potpisani, *2, u ime proizvođača, ovime izjavljuje da strojevi navedeni u nastavku ispunjavaju sve začeće odredbe: * Propisa za strojeve 2006/42/EK * Propisa 2014/30/EU na elektromagnetsku kompatibilnost * Propisa o buci na otvorenome 2000/14/EK – 2005/88/EK * Direktiva 2011/65/EU - (EU) 2015/863 o ograničenju određenih opasnih supstanci u električnoj i elektronskoj opremi.</p> <p>2. Opis strojeva a) Proizvod: Kosilice trave s rukovateljem koji hoda b) Funkcionalnost: rezanje trave c) Model d) Tip e) Serijski broj 3. Proizvođač i osoba za sastavljanje tehničke dokumentacije 4. Referencija na primijenjene standarde 5. Propis o buci na otvorenome a) Izmjerena jačina zvuka b) Zajamčena jačina zvuka c) Parametar buke d) Postupak za ocjenu skladnosti e) Obaviješteno tijelo 6. U 7. Datum</p>

HONDA



3RVR8700
00X3R-VR8-7000