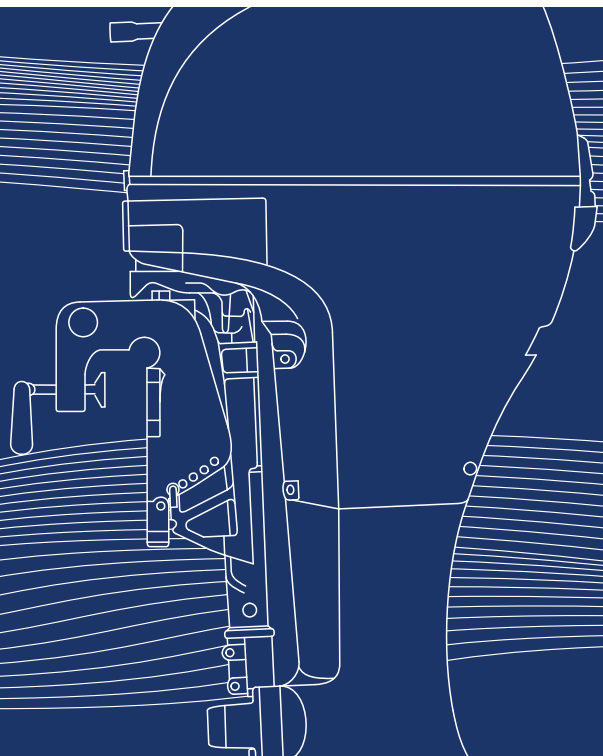




Owner`s Manual  
BF8D • BF9.9D • BF10D  
BF15D • BF20D

Original instructions

© 2021 Honda Motor Co., Ltd. - All Rights Reserved



Thank you for purchasing a Honda Outboard Motor.

This manual covers operation and maintenance of the Honda BF8D/BF9.9D/BF10D/BF15D/BF20D Outboard Motor.

All information in this publication is based on the latest product information available at the time of approval for printing.

Honda Motor Co., Ltd. reserves the right to make changes at any time without notice and without incurring any obligation.

No part of this publication may be reproduced without written permission.

This manual should be considered a permanent part of the Outboard Motor and should remain with it if it is resold.

Throughout this manual, you will see safety messages preceded by the following words and symbols. Here's what they mean:

**▲ DANGER**

**Indicates serious injury or death WILL result if instructions are not followed.**

**▲ WARNING**

**Indicates a strong possibility that serious personal injury or death may result if instructions are not followed.**

**▲ CAUTION**

**Indicates a possibility that personal injury or equipment damage could result if instructions are not followed.**

**NOTICE**

**Indicates that equipment or property damage could result if instructions are not followed.**

**NOTE:** Gives helpful information.

If a problem should arise, or if you have any questions about the Outboard Motor, consult an authorized Honda Outboard Motor dealer.

**▲ WARNING**

**Honda Outboard Motors are designed to give safe and dependable service if operated according to instructions. Read and understand the Owner's Manual before operating the Outboard Motor. Failure to do so could result in personal injury or equipment damage.**

- The illustration may vary according to the type.

Honda Motor Co., Ltd. 2021, All Rights Reserved

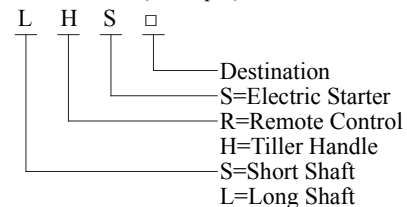
Model	BF8D					
	SH□	LH□	SHS□	LHS□	SR□	LR□
Type	S	L	S	L	S	L
Shaft Length	S	L	S	L	S	L
Tiller Handle	H	H	H	H		
Remote Control					R	R
Electric starter			S	S	S	S
Tachometer					*	*
Battery charging DC receptacle	●	●				

**NOTE:** Note that the types of the outboard motor differ according to the countries where they are sold.

BF8D is provided with the following types according to the shaft length, control system, and start system.

- According to Shaft Length  
S: Short Shaft  
L: Long Shaft
- According to Control System  
H: Tiller Handle Control  
R: Remote Control
- \*: Optional Equipment

TYPE CODE (Example)



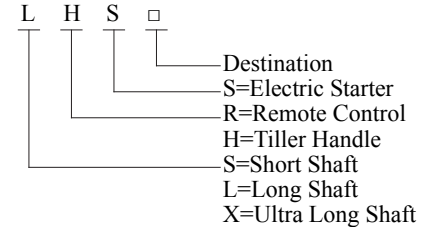
Model	BF9.9D/BF10D						
	SH□	LH□	SHS□	LHS□	SR□	LR□	XR□
Type	S	L	S	L	S	L	X
Shaft Length							
Tiller Handle	H	H	H	H			
Remote Control					R	R	R
Electric starter			S	S	S	S	S
Tachometer					*	*	*
Battery charging DC receptacle	•	•					

**NOTE:** Note that the types of the outboard motor differ according to the countries where they are sold.

BF9.9D/BF10D is provided with the following types according to the shaft length, control system, and start system.

- According to Shaft Length  
S: Short Shaft  
L: Long Shaft  
X: Ultra Long Shaft
- According to Control System  
H: Tiller Handle Control  
R: Remote Control
- \*: Optional Equipment

TYPE CODE (Example)





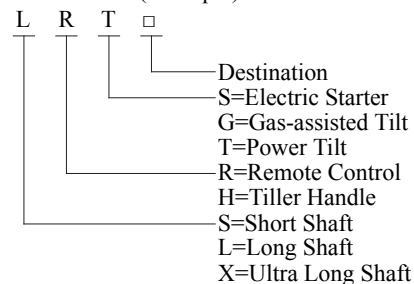
Model	BF20D												
Type	SH□	LH□	SHS□	LHS□	SR□	LR□	SHG□	LHG□	SHT□	LHT□	SRT□	LRT□	XRT□
Shaft Length	S	L	S	L	S	L	S	L	S	L	S	L	X
Tiller Handle	H	H	H	H			H	H	H	H			
Remote Control					R	R					R	R	R
Electric starter			S	S	S	S	S	S	S	S	S	S	S
Gas-assisted Tilt							G	G					
Power Tilt									T	T	T	T	T
Tachometer					*	*					*	*	*
Battery charging DC receptacle	• (1)	• (1)											

**NOTE:** Note that the types of the outboard motor differ according to the countries where they are sold.

BF20D is provided with the following types according to the shaft length, control system, tilt system, and start system.

- According to Shaft Length  
S: Short Shaft  
L: Long Shaft  
X: Ultra Long Shaft
- According to Control System  
H: Tiller Handle Control  
R: Remote Control
- According to tilt system  
G: Gas-assisted Tilt (with gas damper assist function)  
T: Power Tilt (with hydraulic assist function)
- \*: Optional Equipment  
(1): Except SHL, LHL and LH3 types

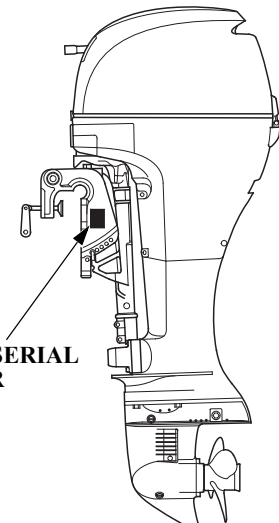
TYPE CODE (Example)



This Owner's Manual is using the following type names when it describes the operations special to a type.

Tiller handle type: H type  
Remote control type: R type  
Gas-assisted tilt type: G type  
Power tilt type: T type

Check the type of your outboard motor and read this Owner's Manual thoroughly before operation. Texts with no type indication are the information and/or procedures common to all types.

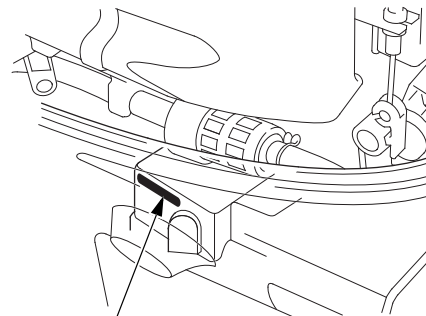


**FRAME SERIAL NUMBER**

Record the frame and engine serial numbers for your reference. Refer to the serial numbers when ordering parts, and when making technical or warranty inquiries.

Frame serial number:

---



**ENGINE SERIAL NUMBER**

The frame serial number is stamped on a plate attached on the left side of the stern bracket.  
The engine serial number label is on the cylinder block located in the front of the engine.

Engine serial number:

---

# CONTENTS

1. SAFETY .....	10	T type	
SAFETY INFORMATION .....	10	Power Tilt Switch .....	31
2. SAFETY LABEL LOCATIONS .....	13	Manual Relief Valve .....	32
3. COMPONENT IDENTIFICATION .....	17	G type	
4. CONTROLS .....	22	Tilt Lever .....	33
H type		Tilt Lock Lever (G and T type) .....	34
Starter Grip .....	22	Tilt Lever (Manual tilt type) .....	34
Engine Start Button .....	22	Anode Metal .....	34
Shift Lever .....	22	Water Check Hole .....	35
Choke Knob .....	23	Cooling Water Intake Port .....	35
Throttle Grip .....	23	Engine Cover Latch .....	36
Throttle Friction Dial .....	24	Transom Angle Adjusting Rod .....	37
Engine Stop Switch .....	24	Fuel Filler Cap Vent Knob .....	38
Emergency Stop Switch Lanyard .....	24	Fuel Gauge .....	38
Oil Pressure Indicator Light .....	25	Fuel Line Connector .....	39
R type		5. INSTALLATION .....	40
Remote Control Lever .....	26	Transom Height .....	40
Neutral Release Lever .....	27	Location .....	40
Engine Switch .....	27	Installation Height .....	41
Emergency Stop Switch Lanyard .....	28	Outboard Motor Attachment .....	41
Fast Idle Lever .....	29	Outboard Motor Angle .....	43
Oil Pressure Indicator Light/Buzzer .....	29	Battery Connections .....	46
Overheat Warning Light/Buzzer .....	30	Battery Charging DC Receptacle .....	47
Tachometer (optional equipment) .....	30	Remote Control Installation .....	48



# CONTENTS

---

6. PRE-OPERATION CHECKS .....	49	R type	
Removing/Installing Engine Cover .....	49	Gear Shifting .....	83
Engine Oil Level .....	50	Cruising .....	84
Fuel Level .....	52	Tilting the Outboard Motor (Common) .....	85
Regarding use of fuel containing lead .....	53	Manual Tilt type	
Gasoline Containing Alcohol .....	53	Tilting the Outboard Motor .....	86
Battery Electrolyte Level .....	54	G type	
Propeller and Cotter Pin .....	55	Tilting the Outboard Motor .....	88
Steering Handle Friction (H type) .....	56	Moorage .....	90
Remote Control Lever Friction (R type) .....	56	T type	
Other Checks .....	57	Tilting the Outboard Motor .....	91
7. STARTING THE ENGINE .....	58	Manual Relief Valve .....	92
Fuel Tank and Vent Knob .....	58	Moorage .....	93
Fuel Line Connection .....	59	Mooring .....	94
H type		Engine Protection System .....	95
Starting the Engine .....	61	Cruising in Shallows .....	99
R type		High Altitude Operation .....	99
Starting the Engine .....	67	9. STOPPING THE ENGINE .....	100
Emergency Starting .....	72	H type	
Troubleshooting Starting Problems .....	79	Stopping the Engine .....	100
8. OPERATION .....	80	R type	
Break-in Procedure .....	80	Stopping the Engine .....	102
H type		10. TRANSPORTING .....	103
Gear Shifting .....	80	Fuel Line Removal .....	103
Steering .....	81	Transporting .....	104
Cruising .....	81	Trailerage .....	107

# CONTENTS

---

11. CLEANING AND FLUSHING .....	108	16. SPECIFICATIONS .....	141
With Water Hose Joint (Optional part) .....	108	17. MAJOR Honda DISTRIBUTOR ADDRESSES ...	150
Without Water Hose Joint .....	109	18. “UK DECLARATION OF CONFORMITY”	
12. MAINTENANCE .....	110	CONTENT OUTLINE .....	153
Tool Kit and Spare Parts .....	111	19. “EC DECLARATION OF CONFORMITY”	
MAINTENANCE SCHEDULE .....	112	CONTENT OUTLINE .....	154
Engine Oil Change .....	114	20. INDEX .....	159
Gear Oil Check/Change .....	116		
Spark Plug Service .....	117		
Battery Service .....	119		
Lubrication .....	121		
Fuel Filter Check/Replacement .....	122		
Fuel Tank and Tank Filter Cleaning .....	125		
EMISSION CONTROL SYSTEM			
(For Bodensee-Lake type) .....	126		
Choke Knob Friction (Manual choke type) .....	127		
Replacing the Fuse .....	128		
Propeller Change .....	128		
Servicing a Submerged Outboard Motor .....	129		
13. STORAGE .....	131		
Fuel .....	131		
Carburetor Draining .....	132		
Battery Storage .....	136		
Transport/Storage Position of the			
Outboard Motor .....	137		
14. DISPOSAL .....	138		
15. TROUBLESHOOTING .....	139		

# 1. SAFETY

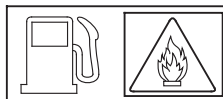
## SAFETY INFORMATION

For your safety and the safety of others, pay special attention to these precautions.

### Operator Responsibility



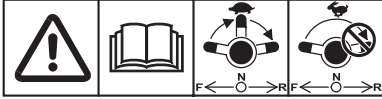
- **Honda outboard motor is designed to give safe and dependable service if operated according to instructions. Read and understand the Owner's Manual before operating the outboard motor. Failure to do so could result in personal injury or equipment damage.**



- **Gasoline is harmful or fatal if swallowed. Keep the fuel tank out of reach of children.**
- **Gasoline is extremely flammable and is explosive under certain conditions. Refuel in a well-ventilated area with the engine stopped.**
- **Do not smoke or allow flames or sparks where the engine is refueled or where gasoline is stored.**
- **Do not overfill the fuel tank. After refueling make sure**

**that the fuel tank cap is closed properly and securely.**

- **Be careful not to spill any fuel while refueling. Spilled fuel or fuel vapor may ignite. If any fuel is spilled make sure that the area is dry before starting the engine.**



**Shift to the neutral position and then shift to the reverse position at low engine speed. Do not shift to the reverse position suddenly at high engine speed.**



**Moving parts can injure you. Install the engine cover after emergency starting the engine. Do not operate the outboard motor without the engine cover.**

- Know how to stop the engine quickly in case of emergency. Understand the use of all controls.
- Do not exceed the boat manufacturer's power recommendation, and be sure that the outboard motor is properly mounted.
- Never permit anyone to operate the outboard motor without proper instruction.
- Stop the engine immediately if anyone falls overboard.
- Do not run the engine while the boat is near anyone in the water.
- Attach the emergency stop switch lanyard securely to the operator.
- Before operating the outboard motor, familiarize yourself with all laws and regulations relating to boating and the use of outboard motors.

- Do not attempt to modify the outboard motor.
- Always wear a life-jacket when on board.
- Do not operate the outboard motor without the engine cover. Exposed moving parts can cause injury.
- Do not remove any guards, labels, shields, covers or safety devices; they are installed for your safety.

### **Fire and Burn Hazards**

Gasoline is extremely flammable, and gasoline vapor can explode. Use extreme care when handling gasoline. **KEEP OUT OF REACH OF CHILDREN.**

- Refuel in a well-ventilated area with the engine stopped. Keep flames and sparks away, and do not smoke in the area.

# SAFETY

---

- Refuel carefully to avoid spilling fuel. Avoid overfilling the fuel tank (there should be no fuel in the filler neck). After refueling, tighten the fuel filler cap securely. If any fuel is spilled, make sure the area is dry before starting the engine.

The engine and exhaust system become very hot during operation and remain hot for a while after stopping. Contact with hot engine components can cause burns and may ignite some materials.

- Avoid touching a hot engine or exhaust system.
- Allow the engine to cool before performing maintenance or transporting.

## **Carbon Monoxide Poisoning Hazard**

Exhaust contains poisonous carbon monoxide, a colorless and odorless gas. Breathing exhaust can cause loss of consciousness and may lead to death.

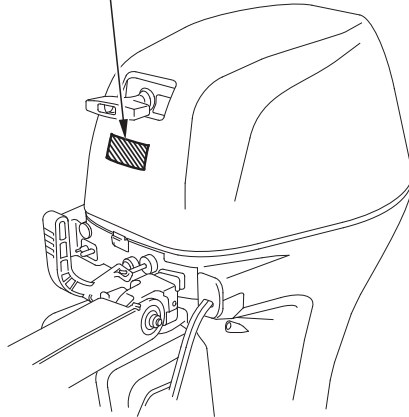
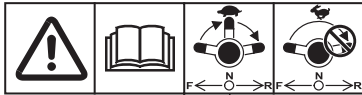
- If you run the engine in an area that is confined, or even partially enclosed, the air can become contaminated with a dangerous amount of exhaust gas. To keep exhaust gas from building up, provide adequate ventilation.

## 2. SAFETY LABEL LOCATIONS

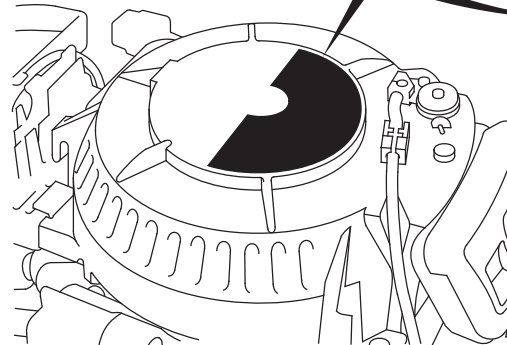
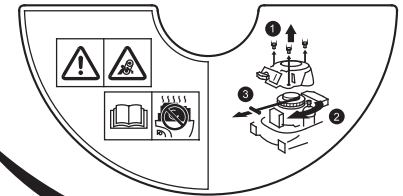
### [Equipped type]

These labels and indications warn you of potential hazards that can cause serious injury. Read the labels, indications and safety notes and precautions described in this manual carefully. If a label comes off or becomes hard to read, contact your outboard motor dealer for a replacement.

#### READ OWNER'S MANUAL GEAR SHIFTING



#### READ OWNER'S MANUAL EMERGENCY ENGINE STARTING

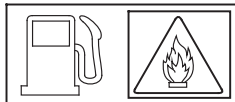


# SAFETY LABEL LOCATIONS

[Except SHL, LHL and LH3 types]

GASOLINE FLAMMABLE DANGER  
GAZOLINE INFLAMMABLE DANGEREUX  
GASOLINA PELIGRO FLAMABLE

FUEL CAUTION



GASOLINE FLAMMABLE DANGER  
GAZOLINE INFLAMMABLE DANGEREUX



[European Types]

## CAUTION


KEEP TOTALLY CLOSED WHEN NOT IN USE. KEEP AWAY FROM HEAT, SPARKS, AND OPEN FLAME. SECURE ABOVE DECK IN WELL VENTILATED AREA. DO NOT USE FOR LONG TERM FUEL STORAGE. DO NOT USE FUEL/OIL MIXTURE.

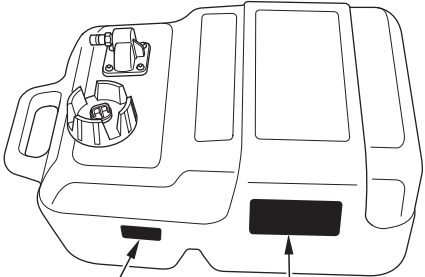
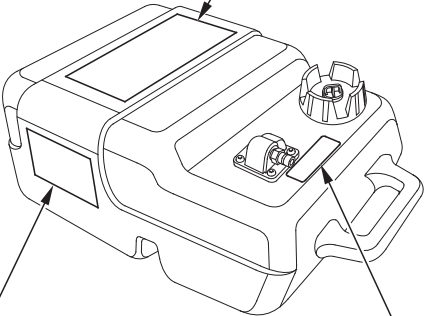
## DANGER

HARMFUL OR FATAL IF SWALLOWED. KEEP OUT OF REACH OF CHILDREN. IF SWALLOWED, DO NOT INDUCE VOMITING. CALL A PHYSICIAN IMMEDIATELY.

# SAFETY LABEL LOCATIONS

[SHL, LHL and LH3 types]

 **GASOLINE**  
**EXTREMELY FLAMMABLE**  
 FOR USE AS A MOTOR FUEL ONLY. MAY CONTAIN LEAD ANTI-KNOCK COMPOUNDS  
**DANGER**  
 HARMFUL OR FATAL IF SWALLOWED. KEEP OUT OF REACH OF CHILDREN. IF SWALLOWED, DO NOT INDUCE VOMITING. CALL A PHYSICIAN IMMEDIATELY.  
**CAUTION**  
 KEEP TIGHTLY CLOSED WHEN NOT IN USE. KEEP AWAY FROM HEAT, SPARKS AND OPEN FLAME. SECURE AND LOCK BURNER WELL VENTILATED AREA. DO NOT USE FOR OTHER THAN FUEL STORAGE. DO NOT USE FUEL LIGHT METERS TO LIGHT AND/OR MANUFACTURER'S RECOMMENDATIONS.



**FUEL CAUTION**

**FUEL CAUTION**

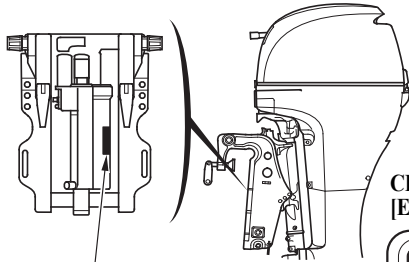
**FLAMMABLE DANGEROUS  
 GASOLINE**  
 REMOVE FROM BOAT FOR FILLING  
  
**INFLAMMABLE DANGEREUX  
 GAZOLINE**  
 SORTIR DU BATEAU POUR REFAIRE LE PLEIN D'ESSENCE

**GASOLINE  
 EXTREMELY FLAMMABLE**  
 REMOVE FROM BOAT FOR FILLING  
  
**GASOLINA  
 PELIGRO FLAMABLE**  
 QUITARLO DEL BARCO PARA PONER GAS

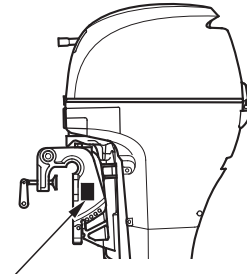


# SAFETY LABEL LOCATIONS

**AT CAUTION**  
[G type]



**CE MARK/UKCA MARK**  
[European Types]



**CE MARK/UKCA MARK**  
[Example : BF20D]

		(1)
Rated power (7) kW		(2)
Mass (8) kg		(3) (4)
(10)		
(11)		(5)(6)
(12)		
(12)		(9)

(1) Model name  
 (2) Engine family name  
 (3) Minor model change code  
 (4) Type name  
 (5) Year code  
 (6) Month code  
 (7) Rated power  
 (8) Dry mass (weight) (with propeller)  
 (9) Country of manufacture  
 (10) Frame serial number  
 (Type and serial number of Declaration of Conformity)  
 (11) Manufacture and address  
 (12) Name and address of authorized representative  
 (13) The identification number of the notified body

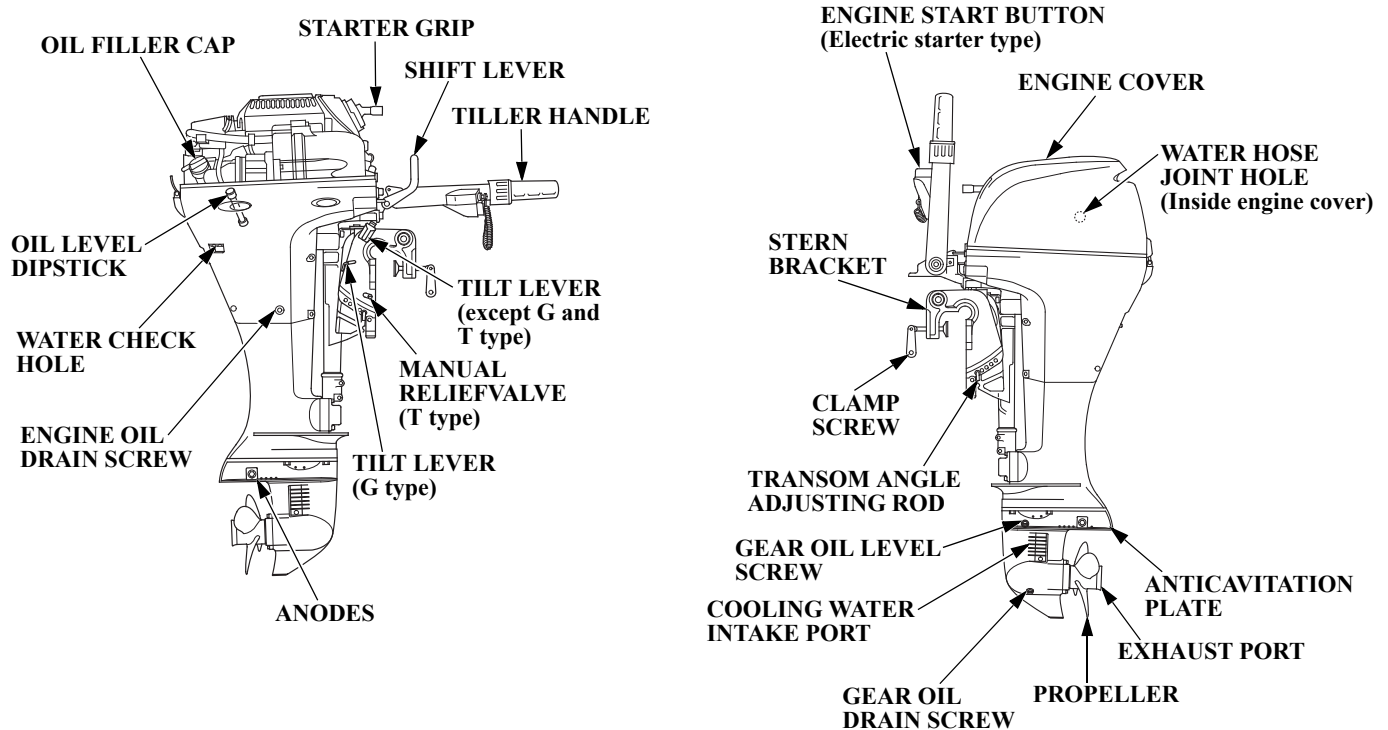
<b>Year code</b>	<b>M</b>	<b>N</b>	<b>P</b>	<b>R</b>	<b>S</b>	<b>T</b>	<b>U</b>	<b>V</b>	<b>W</b>	<b>X</b>
<b>Year of manufacture</b>	2021	2022	2023	2024	2025	2026	2027	2028	2029	2030

<b>Month code</b>	<b>A</b>	<b>B</b>	<b>C</b>	<b>D</b>	<b>E</b>	<b>F</b>	<b>G</b>	<b>H</b>	<b>J</b>	<b>K</b>	<b>L</b>	<b>M</b>
<b>Month of manufacture</b>	1	2	3	4	5	6	7	8	9	10	11	12

Name and address of manufacturer and authorized representative are written in the “Declaration of Conformity” CONTENT OUTLINE in this Owner’s Manual.

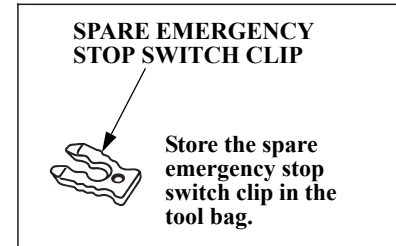
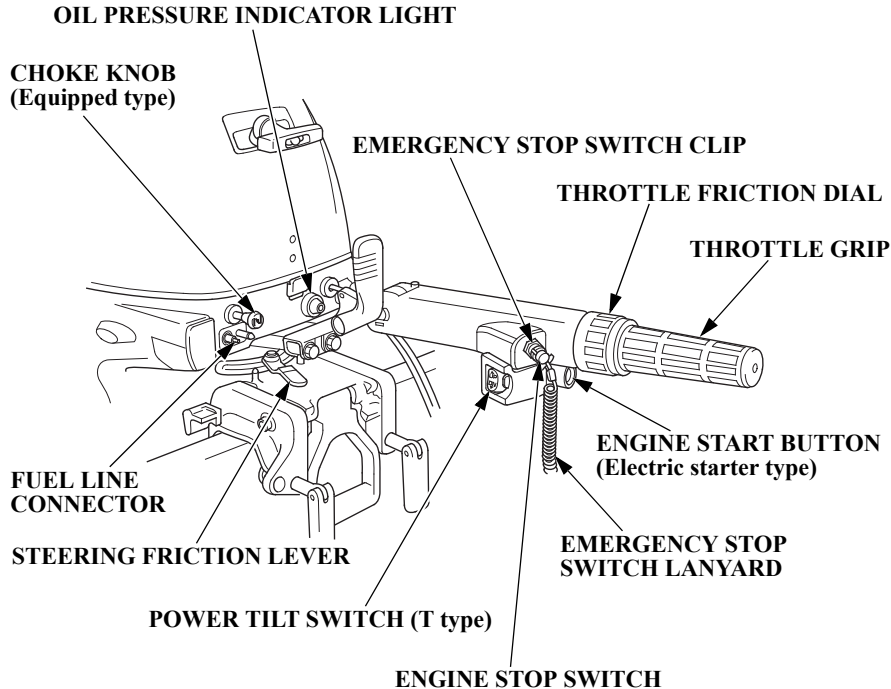
### 3. COMPONENT IDENTIFICATION

#### TILLER HANDLE TYPE (H type)



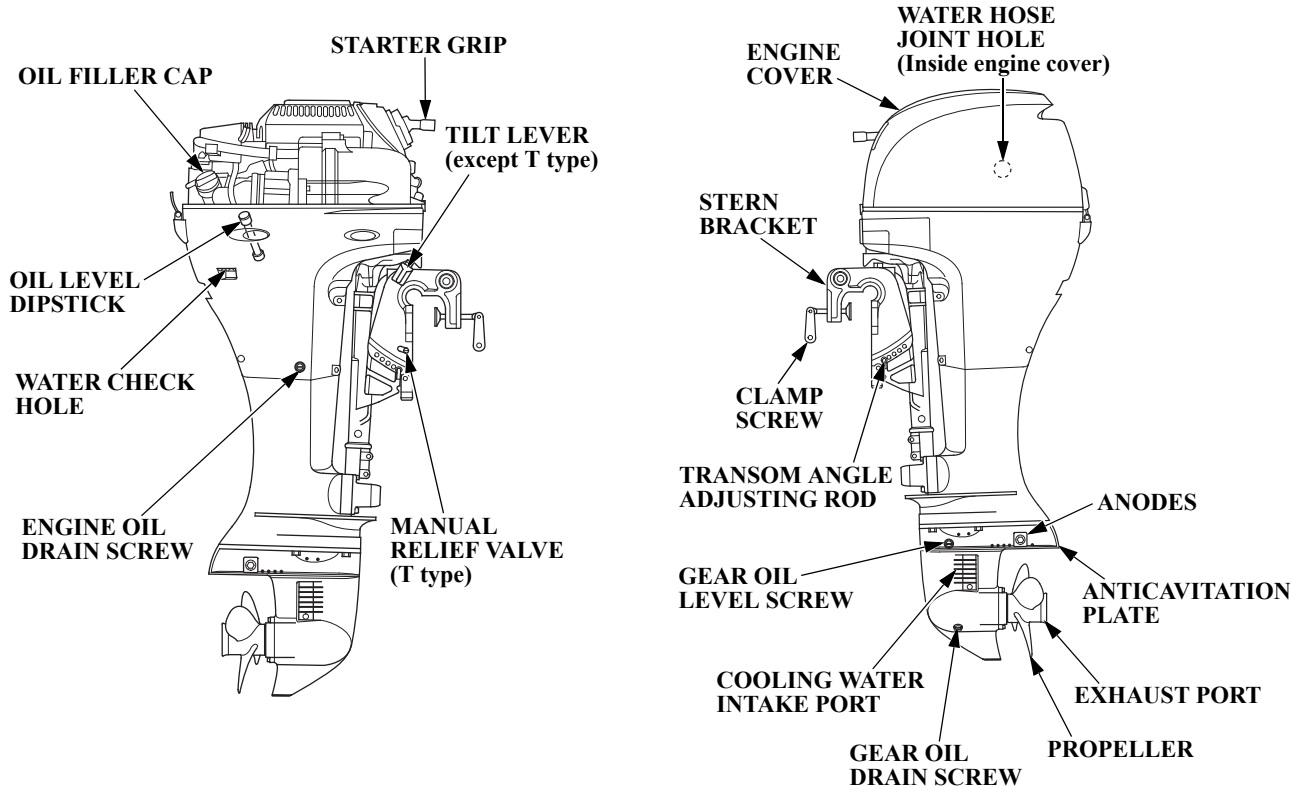
# COMPONENT IDENTIFICATION

---

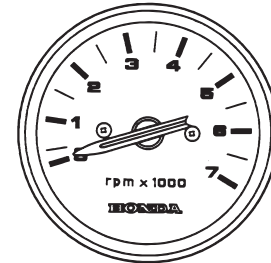
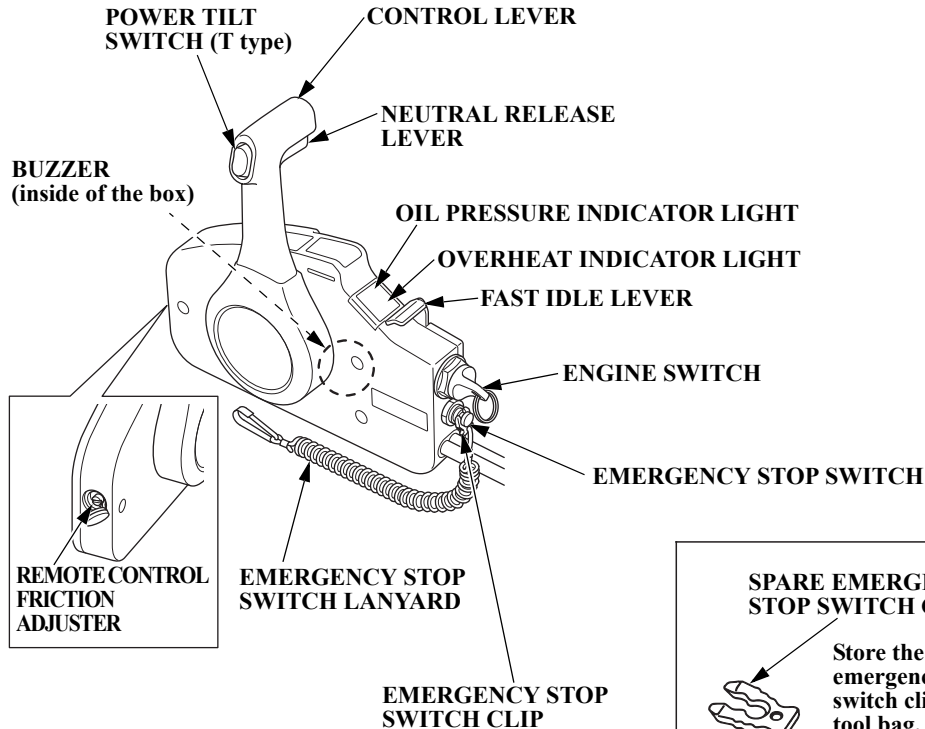


# COMPONENT IDENTIFICATION

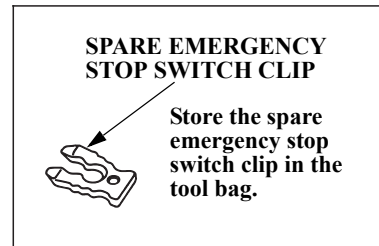
## REMOTE CONTROL TYPE (R type)



# COMPONENT IDENTIFICATION



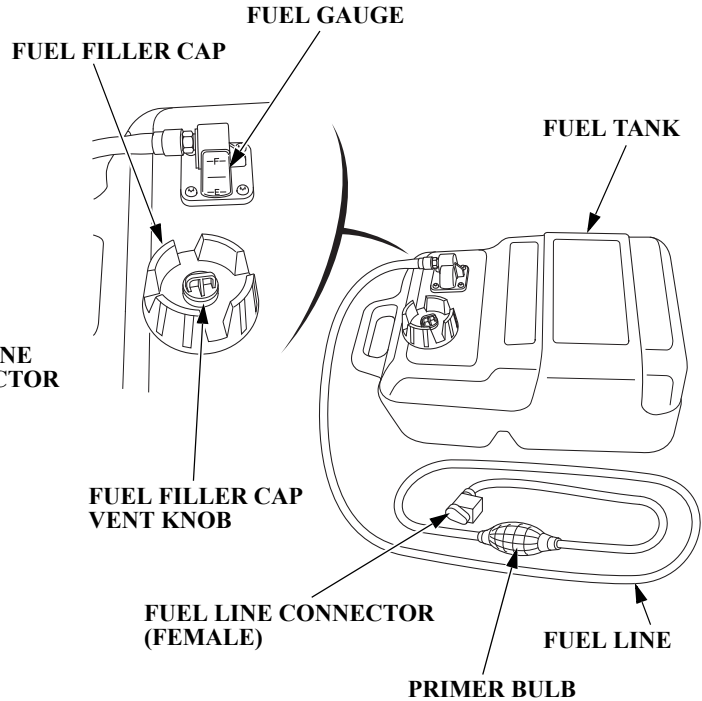
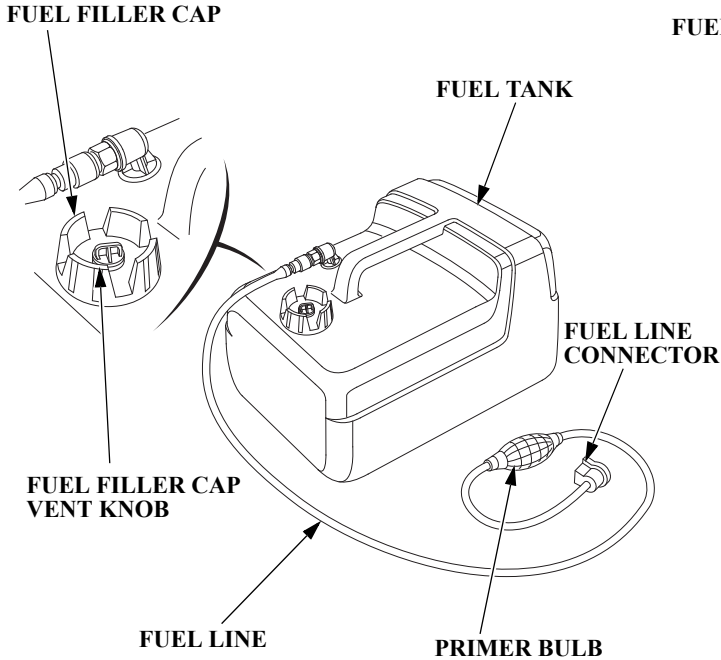
**TACHOMETER**  
[optional equipment (R type)]



# COMPONENT IDENTIFICATION

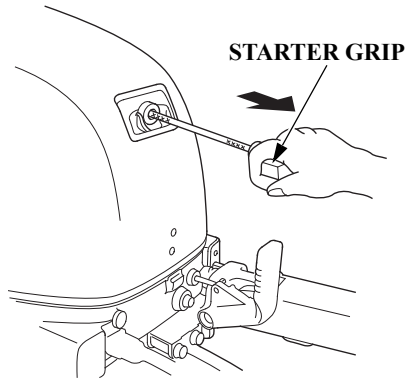
[Except SHL, LHL and LH3 types]

[SHL, LHL and LH3 types]



## 4. CONTROLS (H type)

### Starter Grip

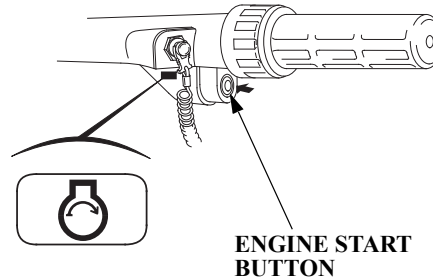


Pulling the starter grip operates the recoil starter to crank the engine for starting. Set the shift lever in the N (neutral) position before starting.

**NOTE:**

The engine does not start by pulling the starter grip unless the shift lever is in the N (neutral) position.

### Engine Start Button (Electric starter type)



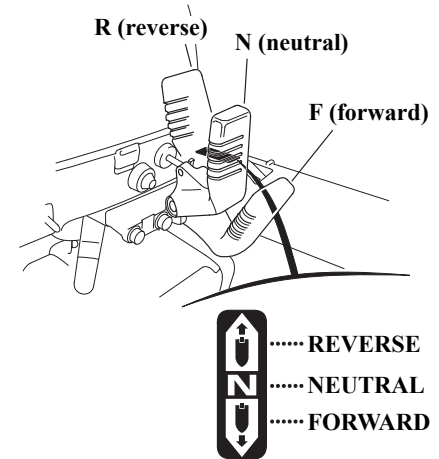
Use the engine start button to start the engine.

Set the shift lever in the N (neutral) position before starting.

**NOTE:**

The engine does not start by pressing the electric starter button unless the shift lever is in the N (neutral) position.

### Shift Lever

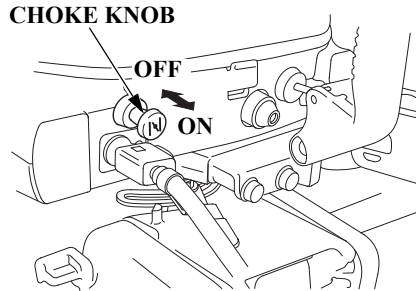


Use the shift lever to run the boat in forward or reverse gear, or to cut off the engine power from the propeller. There are three positions for the shift lever.

- FORWARD: The boat moves ahead.
- NEUTRAL: The engine power is cut off from the propeller. The boat does not move.
- REVERSE: The boat reverses.

## CONTROLS (H type)

### Choke Knob (Manual choke type)

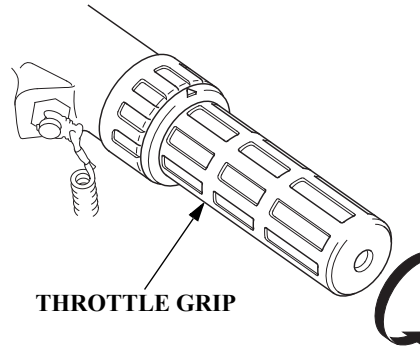


The choke knob opens and closes the choke valve in the carburetor.

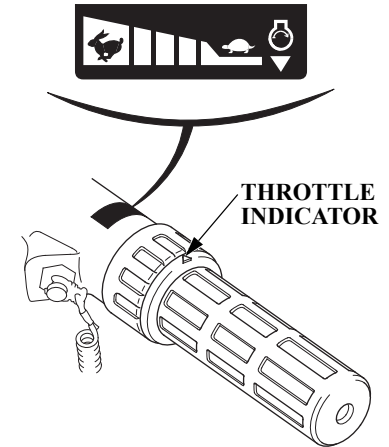
The ON position enriches the fuel mixture for starting a cold engine.

The OFF position provides the correct fuel mixture for operation after starting, and for restarting a warm engine.

### Throttle Grip



Turn the grip clockwise or counterclockwise to adjust the engine speed. Turning the grip in the direction shown by arrow increases the engine speed.

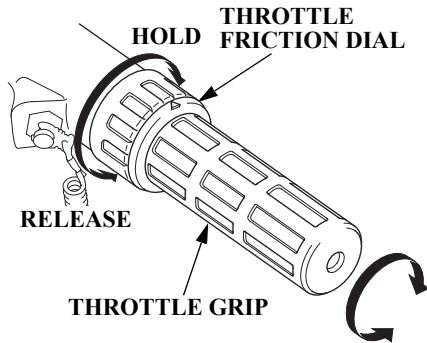


The curve on the grip label indicates the engine speed.



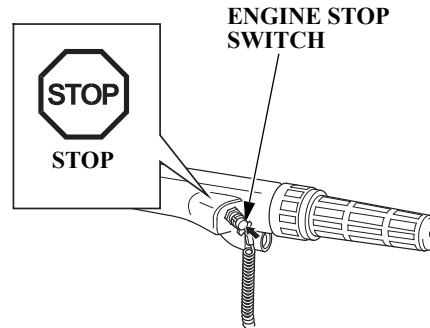
# CONTROLS (H type)

## Throttle Friction Dial



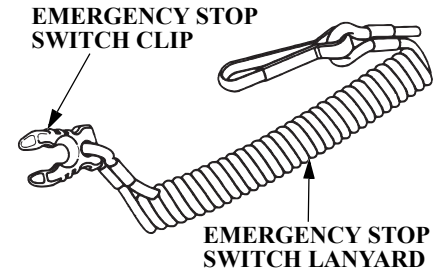
Use the throttle friction dial to cruise at a certain constant speed. Turning the dial clockwise holds the throttle grip in place, and it is released by turning the dial counterclockwise.

## Engine Stop Switch



Press the engine stop switch to stop the engine.

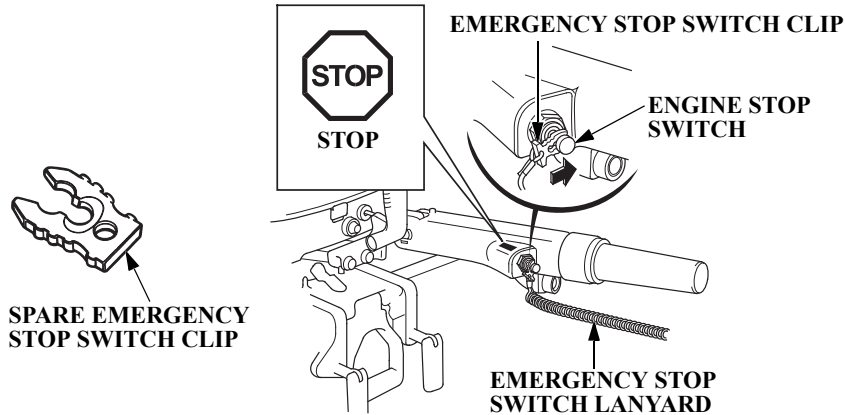
## Emergency Stop Switch Lanyard



The emergency stop switch lanyard is provided to stop the engine immediately when the operator falls overboard or away from the outboard motor.

The engine stops when the clip at the end of the emergency stop switch lanyard is pulled out of the emergency stop switch. When operating the outboard motor, be sure to attach one end of the emergency stop switch lanyard securely to the operator.

# CONTROLS (H type)



## ▲WARNING

If the emergency stop switch lanyard is not set, the boat might run out of control when the operator, for example, falls overboard and is not able to operate the outboard motor.

For the sake of the operator's and the passengers' safety, be sure to set the emergency stop switch clip located at one end of the emergency stop switch lanyard with the emergency stop

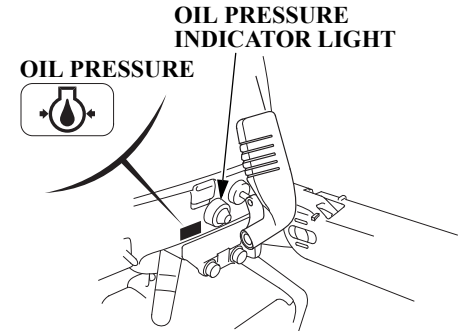
switch. Attach the other end of the emergency stop switch lanyard securely to the operator.

## NOTE:

The engine does not start unless the emergency stop switch clip is set on the engine stop switch.

Store the spare emergency stop switch clip in the tool bag.

## Oil Pressure Indicator Light

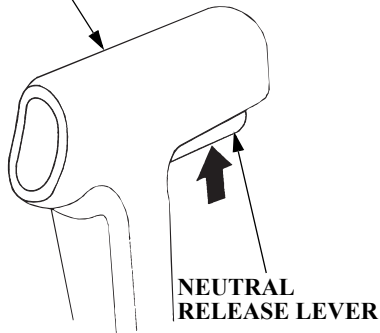


When the engine oil level is low or the engine lubrication system is faulty, the oil pressure indicator light turns off.

# CONTROLS (R type)

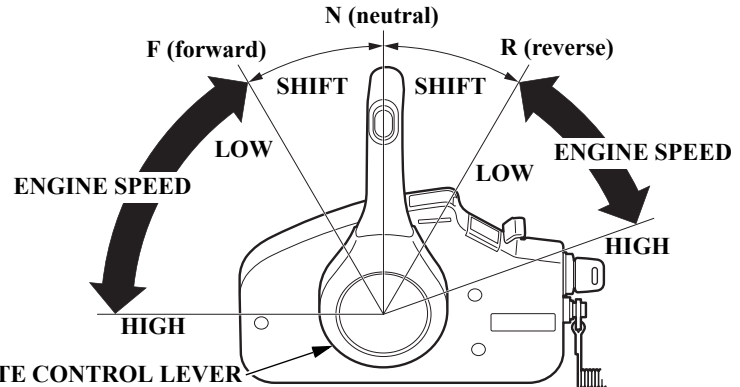
## Remote Control Lever

REMOTE CONTROL LEVER



Shifting gear into forward, reverse, or neutral and the engine speed adjustment can be performed with the remote control lever.

Push up the neutral release lever before operating the remote control lever.



### FORWARD:

Moving the lever to the FORWARD position (i.e. approximately 32° from the NEUTRAL position) engages the gear into forward. Moving the lever further from the FORWARD position will increase the throttle opening and the boat forward speed.

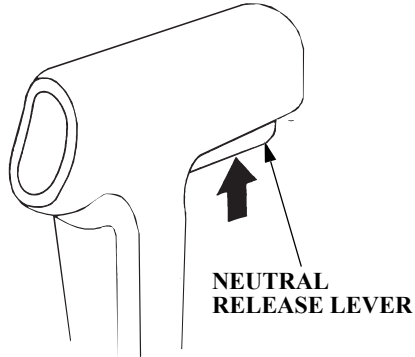
### NEUTRAL:

Engine power is cut off from the propeller.

### REVERSE:

Moving the lever to the REVERSE position (i.e. approximately 32° from the NEUTRAL position) engages the gear into reverse. Moving the lever further from the REVERSE position will increase the throttle opening and the boat reverse speed.

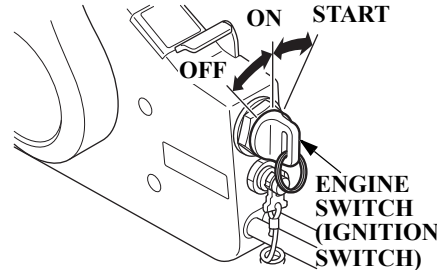
## Neutral Release Lever



The neutral release lever is set on the remote control lever to prevent an accidental operation of the remote control lever.

The remote control lever does not operate unless it is moved while pushing the neutral release lever up.

## Engine Switch



This remote control is equipped with an automotive type ignition switch.

Key positions:

START: to start the engine.

ON: to run the engine after starting.

OFF: to stop the engine (IGNITION OFF).

### NOTICE

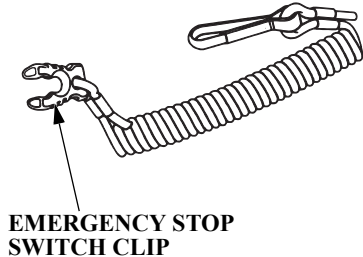
**Do not leave the engine switch (ignition switch) ON (key in ON position) when the engine is not running as the battery will discharge.**

### NOTE:

The starter motor will not work unless the remote control lever is in the N (neutral) position.

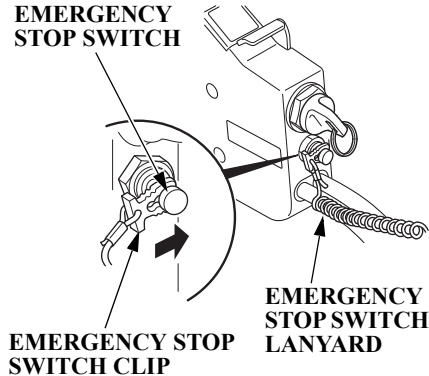
# CONTROLS (R type)

## Emergency Stop Switch Lanyard



The emergency stop switch lanyard is provided to stop the engine immediately when the operator falls overboard or away from the outboard motor.

The engine stops when the clip at the end of the emergency stop switch lanyard is pulled out of the emergency stop switch. When operating the outboard motor, be sure to attach one end of the emergency stop switch lanyard securely to the operator.



### **⚠ WARNING**

**If the emergency stop switch lanyard is not set, the boat might run out of control when the operator, for example, falls overboard and is not able to operate the outboard motor.**

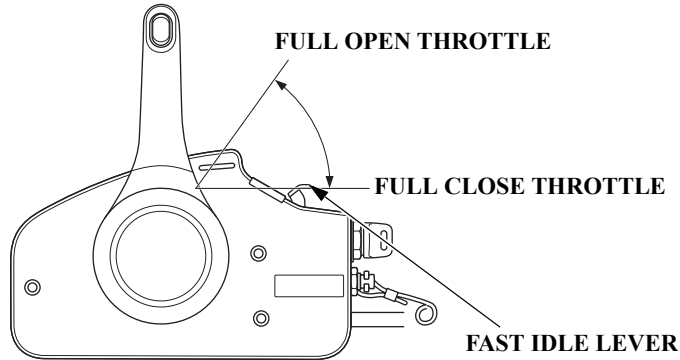
For the sake of the operator's and the passengers' safety, be sure to set the emergency stop switch clip and attach one end of the emergency stop switch lanyard securely to the operator.

### **NOTE:**

The engine does not start unless the emergency stop switch clip is set on the emergency stop switch.

## CONTROLS (R type)

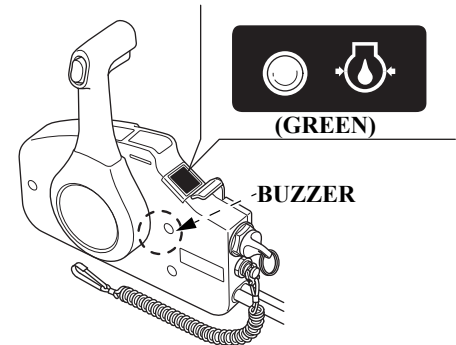
### Fast Idle Lever



The fast idle lever is provided with the engine speed adjustment function. The lever does not move unless the remote control lever is in the “N” (neutral) position. Note also that the control lever does not move unless the fast idle lever is in the “full close” position.

Use the fast idle lever for engine warm-up after starting a cold engine and when starting a warm engine.

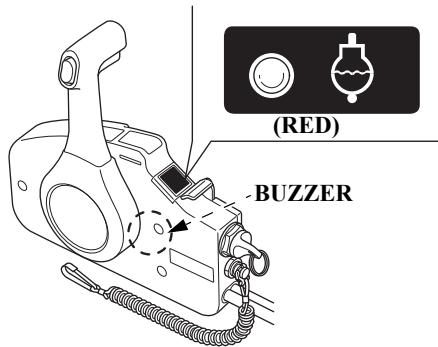
### Oil Pressure Indicator Light/ Buzzer



The oil pressure indicator light turns off and the buzzer sounds when the oil level is low and/or the engine lubrication system is faulty.

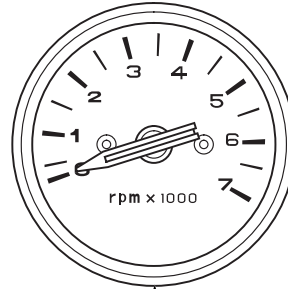
## CONTROLS (R type)

### Overheat Warning Light/Buzzer



The overheat warning light turns on and the buzzer sounds when the engine cooling circuit is faulty. The engine speed slows down this time.

### Tachometer (optional equipment)



**TACHOMETER**

The tachometer shows the engine speed in revolutions per minute.

# CONTROLS (T type)

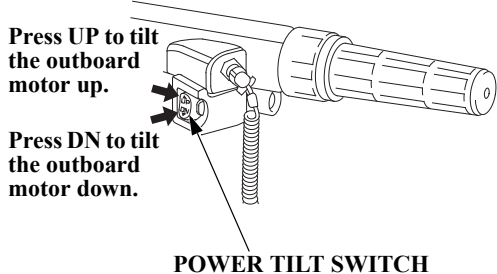
## Power Tilt Switch

Press the power tilt switch on the control lever (R type) or tiller handle (H type), and the outboard motor installation angle (tilt angle) can be adjusted only while stopping the boat.

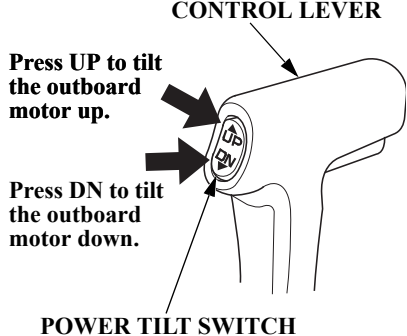
Power tilt is a convenience for tilting the outboard motor, shallow water operation, and trailering only. It is not designed to be used as a trim function to adjust the trim angle of the boat.

During shallow water operation, beaching, launching, or mooring, proceed at low speed with a small throttle opening and tilt the outboard motor up as necessary (see page 99).

(H type)



(R type)



Excessive trim angle can result in cavitation and racing of the propeller, and tilting up the outboard motor excessively can cause damage to the impeller pump.



## CONTROLS (T type)

### Manual Relief Valve

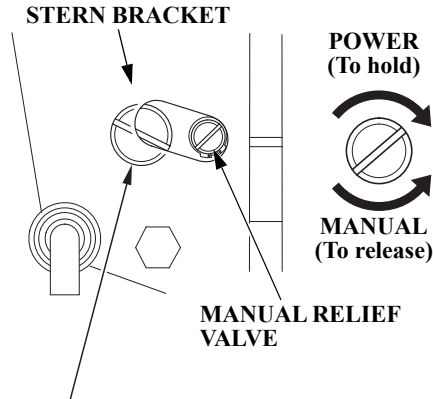
If the power tilt switch does not operate because of, for example, dead battery, the outboard motor can be tilted manually by opening the manual relief valve.

To move the outboard motor by hand, turn the manual relief valve under the stern bracket 2 and a half turns counterclockwise using a screw driver.

After moving the outboard motor, turn the screw clockwise securely.

#### **▲WARNING**

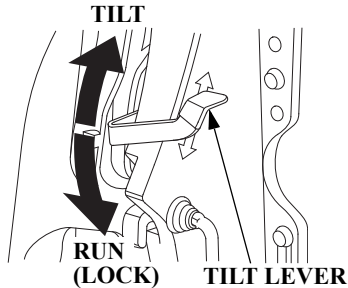
**Be sure to tighten the manual relief valve securely. The outboard motor could rise when sailing in the reverse gear, resulting in an accidental injury to the passenger(s).**



#### **▲WARNING**

**Never loosen this screw.  
Hydraulic oil of the power tilt system flows out.**

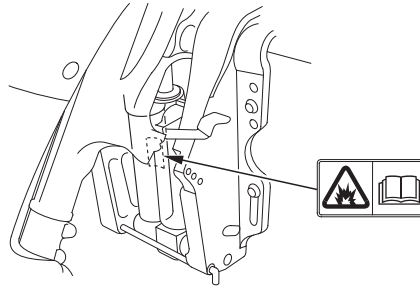
## Tilt Lever



Use the tilt lever to temporarily raise the outboard motor when the boat is sailing in the shallows, or mooring or anchoring in the shallows. Raising the tilt lever unlocks the outboard motor and the outboard motor can be tilted. Lowering the tilt lever locks the outboard motor.

### **▲WARNING**

**Be sure to lower the tilt lever and lock the outboard motor before sailing. The outboard motor could rise when sailing in the reverse gear, resulting in an accidental injury to the passenger(s).**

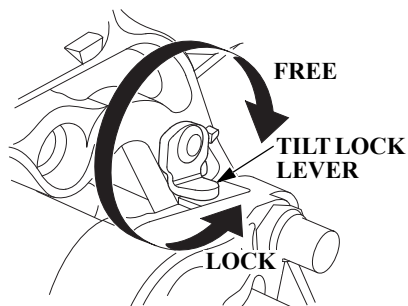


### **▲WARNING**

**Do not disassemble the gas assisted damper assembly as it is filled with the high pressure gas.**

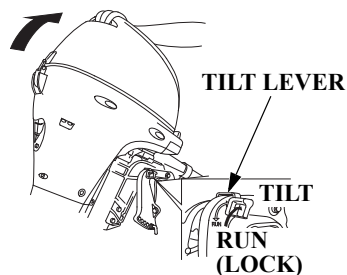
# CONTROLS

## Tilt Lock Lever (G and T type)



Use the tilt lock lever to raise the outboard motor and lock it in the position when the boat is moored or anchored for a long time. Tilt the outboard motor as far as it goes and move the lock lever in the locking direction.

## Tilt Lever (Manual tilt type)

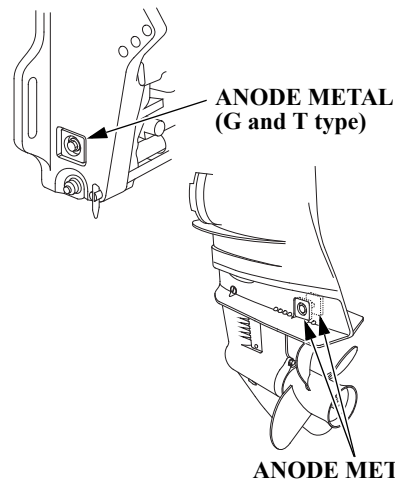


Use the tilt lever to temporarily raise the outboard motor when the boat is sailing in the shallows, or mooring or anchoring in the shallows. Raising the tilt lever unlocks the outboard motor and the outboard motor can be tilted. Lowering the tilt lever locks the outboard motor.

### **▲WARNING**

Be sure to lower the tilt lever and lock the outboard motor before sailing. The outboard motor could rise when sailing in the reverse gear, resulting in an accidental injury to the passenger(s).

## Anode Metal

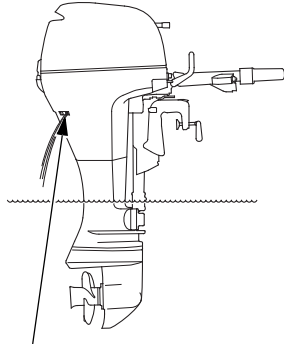


The anode metal is a sacrificed metal which protects the outboard motor from corrosion.

### **NOTICE**

Do not paint the anode metal. It deteriorates the function of the anode metal, which can lead to rust and corrosion damage to the outboard motor.

## Water Check Hole

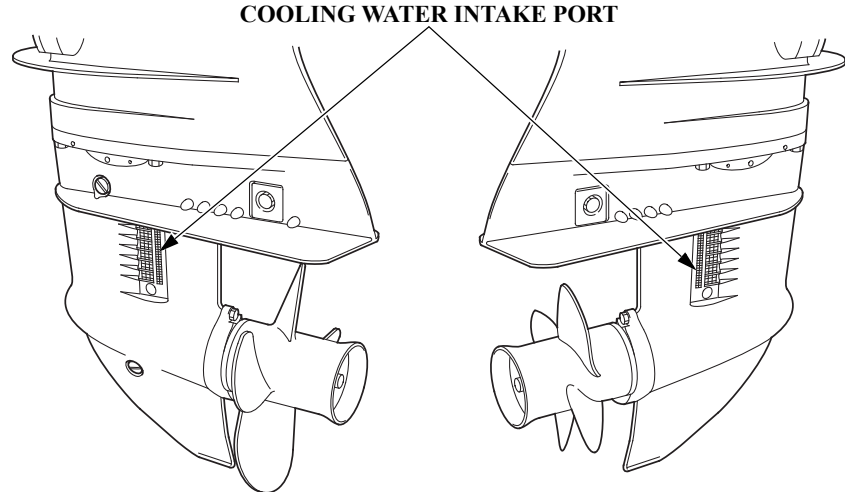


**WATER CHECK HOLE**

The cooling water is checked here to see whether it is circulating inside the engine properly.

After starting the engine, check at the cooling water check hole whether the cooling water is circulating through the engine.

## Cooling Water Intake Port



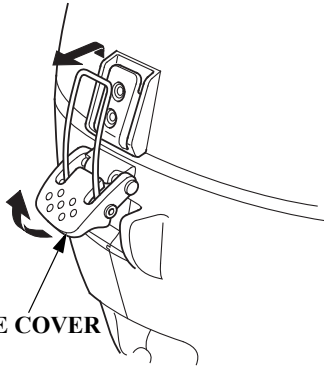
**COOLING WATER INTAKE PORT**

The engine cooling water is drawn into the engine through this port.

# CONTROLS

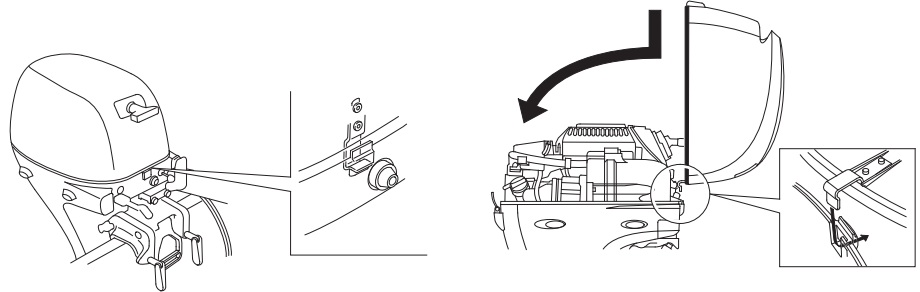
---

## Engine Cover Latch



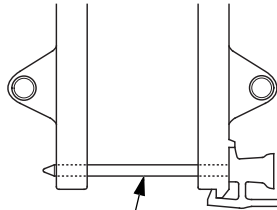
**ENGINE COVER  
LATCH**

Latch/unlatch the engine cover latch to install or remove the engine cover.

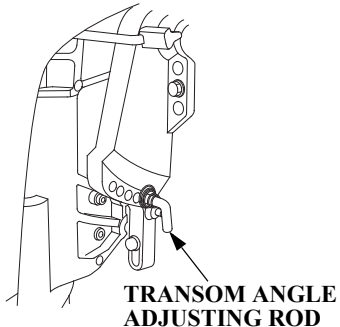


## Transom Angle Adjusting Rod (Manual tilt type)

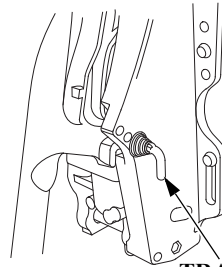
- BF8D/BF9.9D/BF10D  
(SH type/LH type)



- BF8D (R type)
- BF9.9D/BF10D (R type)
- BF15D/BF20D



## (G and T type)



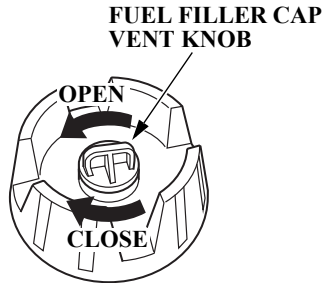
**TRANSOM ANGLE  
ADJUSTING ROD**

Use the transom angle adjusting rod to adjust the outboard motor angle properly.

# CONTROLS

---

## Fuel Filler Cap Vent Knob



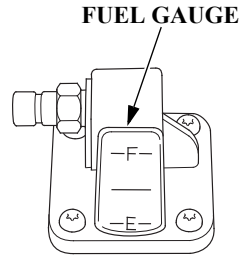
FUEL FILLER CAP

The vent knob shuts off the fuel tank from the open air.

When refilling the fuel tank, turn the vent knob counterclockwise to open and remove the fuel filler cap.

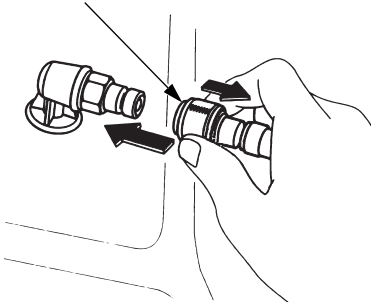
Turn the vent knob clockwise and close it securely before transporting or storing the outboard motor.

## Fuel Gauge [SHL, LHL and LH3 types]



The fuel gauge indicates the fuel level in the tank.

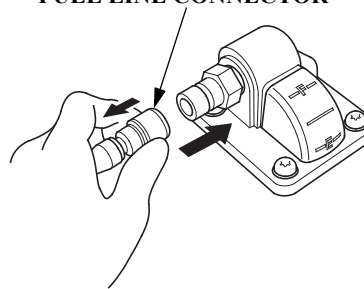
## Fuel Line Connector [Except SHL, LHL and LH3 types] FUEL LINE CONNECTOR



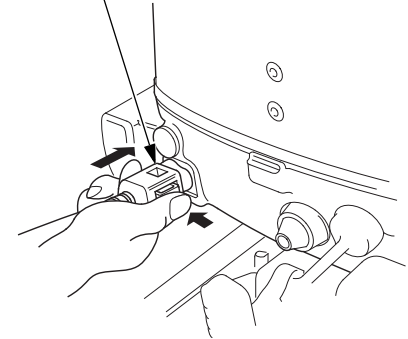
(FUEL TANK SIDE)

The fuel line connector is used to connect the fuel line between the separate fuel tank and the outboard motor.

## [SHL, LHL and LH3 types] FUEL LINE CONNECTOR



## FUEL LINE CONNECTOR



(OUTBOARD MOTOR SIDE)



## 5. INSTALLATION

### NOTICE

**Improperly installed outboard motor can result in the outboard motor dropped into the water, boat not able to cruise straight ahead, engine speed not increase, and much fuel consumption.**

We recommend that the outboard motor be installed by an authorized outboard motor dealer. Consult the authorized Honda dealer in your area for the Y-OP (User Optional Parts)/equipments installation and operation. Applicable Boat  
Select the boat suitable for the engine power.

Engine power:

BF8D: 5.9 kW (8.0 PS)

BF9.9D: 7.3 kW (9.9 PS)

BF10D: 7.4 kW (10 PS)

BF15D: 11.0 kW (15 PS)

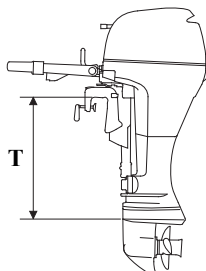
BF20D: 14.7 kW (20 PS)

Power recommendation is indicated on most of the boats.

### ▲WARNING

**Do not exceed the boat manufacturer's power recommendation. Damage and injury may result.**

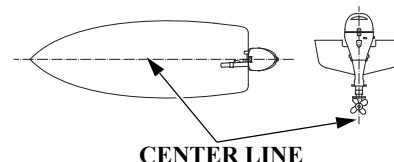
### Transom Height



Type:	T
S:	433 mm (17.0 in)
L:	563 mm (22.2 in)
X:	703 mm (27.7 in)

Select the outboard motor which is correct for the boat transom height of your boat.

### Location

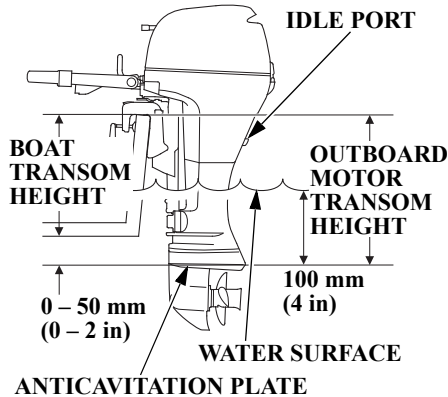


Install the outboard motor at the stern, at the center line of the boat.

The antivibration plate of the outboard motor should be 0 – 50 mm (0 – 2 in) below the bottom of the boat.

The correct dimensions differ according to the type of the boats and the configuration of the bottom of the boats. Follow the manufacture's recommended installation height.

## Installation Height



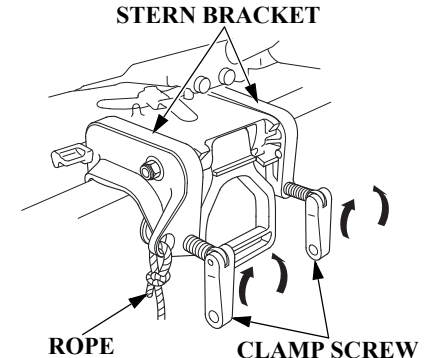
If the outboard motor is installed too low, the boat will squat and be hard to plane, and the engine will spray water that may enter the boat. It will tend to porpoise, and high-speed stability will be reduced.

If the outboard motor is installed too high, that will cause propeller ventilation.

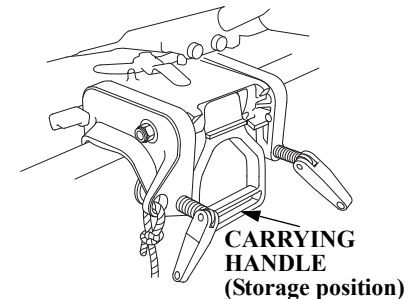
## NOTICE

The water level must be at least 100 mm (4 in) above the anticavitation plate with the engine not running, otherwise the water pump may not receive sufficient cooling water, and the engine will overheat.

## Outboard Motor Attachment



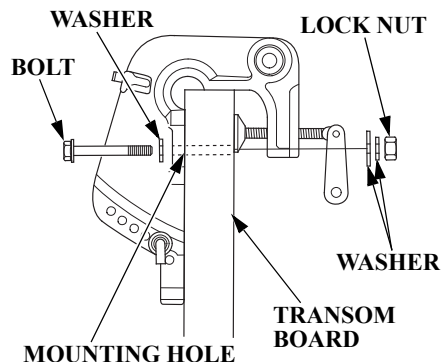
1. Attach the stern bracket to the transom and tighten the clamp screws. Push the carrying handle into the storage position.



# INSTALLATION

## ▲ CAUTION

- While operating the boat, check the tightness of the clamp screws occasionally.
- Tie a rope through the hole in the stern bracket and secure the other end of the rope to the boat. This will prevent accidental loss of the outboard motor.



2. Apply the silicone sealant (Three Bond 1216 or equivalent) to the outboard motor mounting holes.
3. Set the outboard motor on the boat and secure with the bolts, washers, and lock nuts.

## NOTE:

Standard torque:

29 – 39 N·m

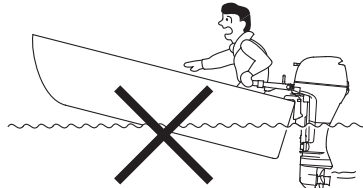
(3.0 – 4.0 kgf·m, 22 – 29 lbf·ft)

The standard torque is given just as a guideline. Torque of the nut can be different according to the material of the boat. Consult with an authorized Honda outboard motor dealer.

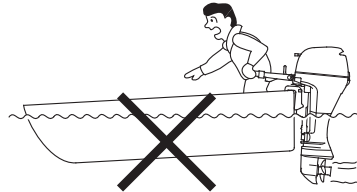
## ▲ CAUTION

**Install the outboard motor securely. Loosely mounted outboard motor can result in accidental loss of the outboard motor and damage and injury to the equipment and personnel.**

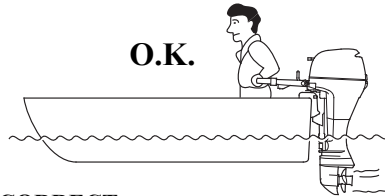
## Outboard Motor Angle (Cruising)



**INCORRECT  
CAUSES BOAT TO “SQUAT”**



**INCORRECT  
CAUSES BOAT TO “PLOW”**



**O.K.  
CORRECT  
GIVES MAXIMUM PERFORMANCE**

Install the outboard motor at the best transom angle for stable cruising and maximum power.

Transom angle too large: Incorrect causes boat to “squat.”

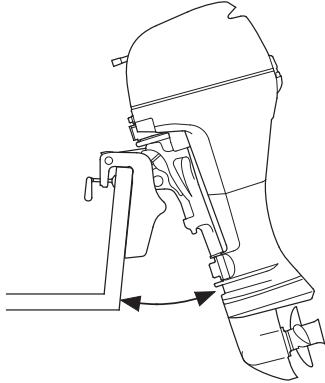
Transom angle too small: Incorrect causes boat to “plow” (Sprayed water may enter the boat).

The transom angle differs according to the combination of the boat, outboard motor, and propeller, and the operating conditions.

## <Outboard Motor Angle Adjustment>

Adjust the outboard motor so that it is perpendicular to the water surface (i.e. axis of the propeller is parallel with the water surface).

# INSTALLATION

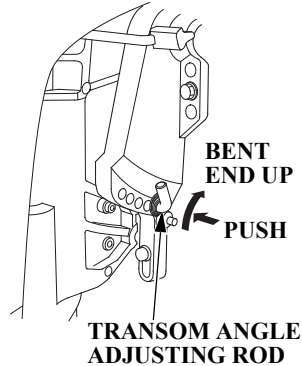


There are five adjusting stages (R type).

There are four adjusting stages (G and T type).

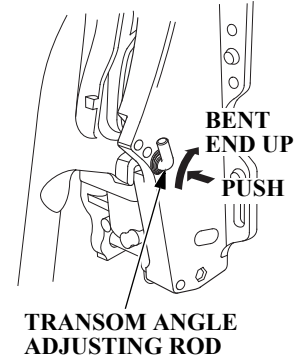
Tilt the outboard motor to the designated tilt angle.

## (manual tilt R type)



TRANSOM ANGLE  
ADJUSTING ROD

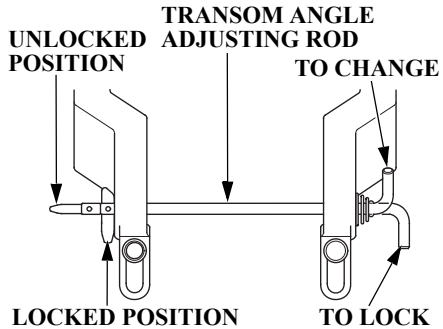
## (G type/T type)



TRANSOM ANGLE  
ADJUSTING ROD

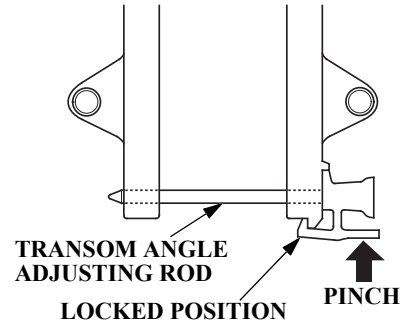
Push in the adjusting rod, twist upwards to the unlocked position and pull out to remove.

## (R type/G type/T type)



Inserting the adjusting rod in the proper hole, twist it down to lock. After locking, pull the adjusting rod and be sure it is not withdrawn.

## (manual tilt SH type/LH type)



Pinch the adjusting rod end and pull out to remove.

Inserting the adjusting rod in the proper hole, and lock it. After locking, pull the adjusting rod and be sure it is not withdrawn.

### NOTICE

To prevent damage to the outboard motor or boat, make sure the adjusting rod is locked.

# INSTALLATION

## Battery Connections

Use a battery which has 12V-35 Ah or more specifications.

The battery is an optional part (i.e. part to be purchased separately from the outboard motor).

### ▲WARNING

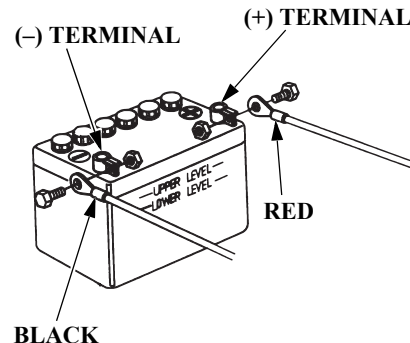
**Batteries produce explosive gases: If ignited, an explosion can cause serious injury or blindness. Provide adequate ventilation when charging.**

- **CHEMICAL HAZARD: Battery electrolyte contains sulfuric acid. Contact with eyes or skin, even through clothing, may cause severe burns. Wear a faceshield and protective clothing.**
- **Keep flames and sparks away, and do not smoke in the area. ANTIDOTE: If electrolyte gets into your eyes, flush thoroughly with warm water for at least 15 minutes and call a physician immediately.**

- **POISON: Electrolyte is poison. ANTIDOTE:**
  - **External: Flush thoroughly with water.**
  - **Internal: Drink large quantities of water or milk. Follow with milk of magnesia or vegetable oil, and call a physician immediately.**
- **KEEP OUT OF REACH OF CHILDREN.**

Place the battery in the battery box and fix the battery box securely to the hull.

Install the battery box in a location such that it does not topple over while the boat is cruising or is not exposed to spray or direct of sunlight.



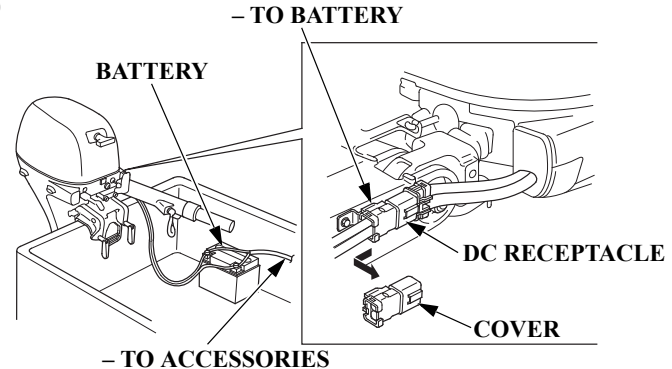
### Connect the battery cables:

1. Connect the cable with the red terminal cover to the positive (+) terminal of the battery.
2. Connect the cable with the black terminal cover to the negative (-) terminal of the battery.

## NOTICE

- Be sure to connect the (+) side battery cable first. When disconnecting the cables, disconnect the (-) side first then the (+) side.
- Unless the cables are properly connected to the terminals, the starter motor may fail to operate normally.
- Be careful to avoid connecting the battery in reverse polarity, as this will damage the battery-charging system in the outboard motor.
- Do not disconnect the battery cables while the engine is running. Disconnecting the cables while the engine is running, will damage the outboard motor's electrical system.
- Do not place the fuel tank near the battery.

## Battery Charging DC Receptacle (Equipped type)



The DC receptacle provides a 12 volt, 6 amp. output for battery charging. The charging circuit is protected by a 20 amp. fuse that is accessible by removing the engine cover. A male plug for the DC receptacle is provided with the outboard motor; connect your battery charging wires to that plug. Be sure that the positive (Red) battery cable is connected to the (+) plug terminal.

## CAUTION

- Reversing the battery leads will damage the charging system and/or the battery.
- When it is not in use, keep the DC receptacle dry and clean by covering it with the rubber cap provided.

The outboard motor's 12 volt output is intended for battery charging only. Electrical accessories should be connected to the battery as shown.



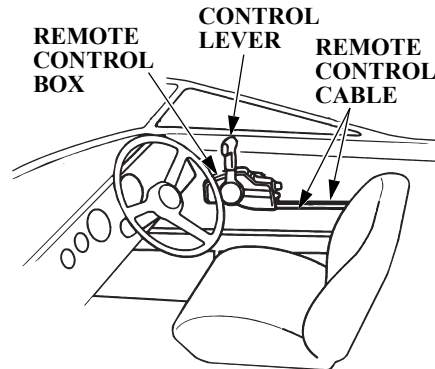
## INSTALLATION (R type)

### Remote Control Installation

#### NOTICE

Improperly installed steering system, remote control box, and remote control cable, or installing those of the different types could cause unpredictable accident. Consult an authorized Honda outboard motor dealer for proper installation.

#### <Location>



Install the remote control box in the position where is easy to operate the control lever and switches. Be sure that there are no obstacles on the route of the control cable.

#### <Remote Control Cable Length>

Measure the distance from the center of the remote control box via the transom corner to the center of the engine.

Recommended cable length is 300 mm (11.8 in) longer than the measured distance.

Set the cable along the predetermined route and be sure that it is long enough to the route.

Connect the cable to the engine and be sure it is not kinked, bent sharp, pulled taut, or interfered while steering.

#### NOTICE

**Do not bend the remote control cable as sharp as its route diameter is 400 mm (1-1/6 feet) or less, or it affects the service life of the cable and the remote control lever operation.**

## 6. PRE-OPERATION CHECKS

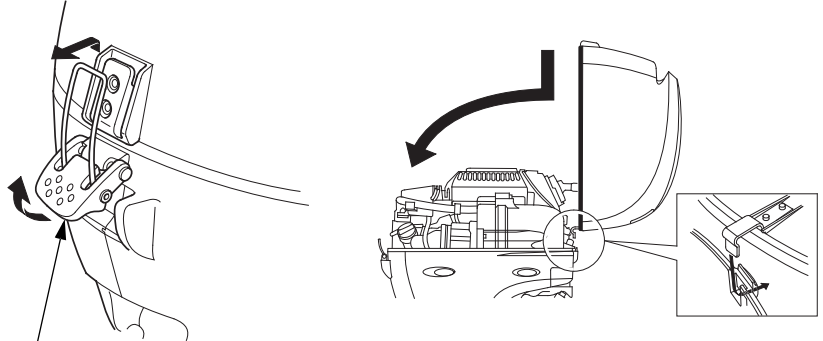
BF8D/BF9.9D/BF10D/BF15D/BF20D is the 4-stroke, water cooled outboard motor which uses unleaded regular gasoline for fuel. It also requires the engine oil. Check the following before operating the outboard motor.

### ▲ CAUTION

**Perform the following pre-operation checks with the engine stopped.**

Before each use, look around and underneath the engine for signs of oil or gasoline leaks.

### Removing/Installing Engine Cover



#### ENGINE COVER LATCH

- To remove, unlatch the engine cover latch and remove the engine cover.
- To install, set the engine cover, hook the front and rear latches, and push down the rear engine cover latch.

### ▲ WARNING

**Do not operate the outboard motor without the engine cover. Exposed moving parts can cause injury.**

# PRE-OPERATION CHECKS

## Engine Oil Level

### NOTICE

- **Engine oil is a major factor affecting engine performance and service life. Nondetergent and low quality oils are not recommended, because they have inadequate lubricating properties.**
- **Running the engine with insufficient oil can cause serious engine damage.**

### NOTE:

To avoid incorrect gauging of the engine oil level, inspect the oil level when the engine has cooled.

### <Recommended oil>

Use Honda 4-stroke oil or an equivalent high detergent, premium quality motor oil certified to meet or exceed U.S. automobile manufacturer's requirements for Service Classification SG, SH or SJ. Motor oils classified SG, SH or SJ will show this designation on the

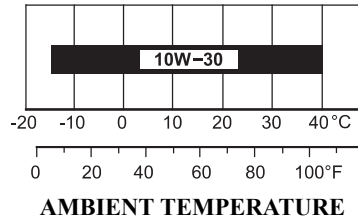
container. Select the appropriate viscosity for the average temperature in your area.

SAE 10W-30 is recommended for general, all-temperature use.

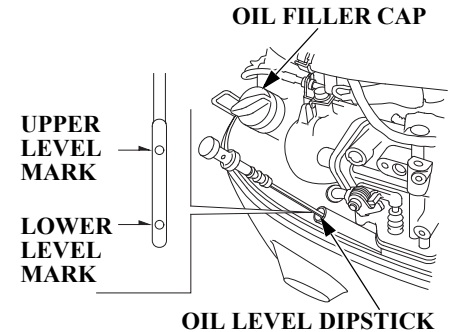
API Service Grade: Use a Fuel Efficient SG, SH or SJ oil.

### NOTE:

This oil is usually identified by words such as: "Energy Conserving II", "Gas Saving", "Fuel Saving", etc.



## <Inspection and Refilling>



1. Position the outboard motor vertically, and remove the engine cover.
2. Remove the oil level dipstick and wipe with a clean rag.
3. Reinsert the dipstick all the way in, then pull it out and read the level. If near or below the lower level mark, remove the oil filler cap and fill to the upper level mark with the recommended oil.
4. Tighten the oil filler cap and install the dipstick securely. Do not overtighten.

## PRE-OPERATION CHECKS

When the engine oil is contaminated or discolored, replace with the fresh engine oil (see page 114 for replacement interval and procedure).

5. Install the engine cover and lock it securely.

### NOTICE

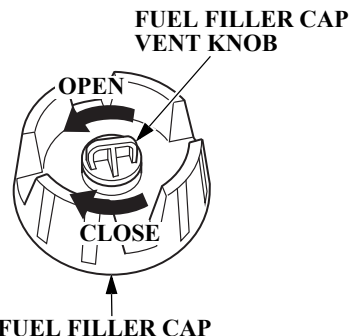
**Do not overfill the engine oil.  
Check the engine oil after refilling.  
Excessive engine oil as well as the insufficient oil could cause damage to the engine.**

When you check the oil level with the dipstick, you might notice the engine oil appears milky or the oil level has increased. If you notice either condition, change the engine oil. See the following table for an explanation of these conditions.

Operating Method	Result	Effect
Running the engine below 3,000 min <sup>-1</sup> (rpm) for more than 30% of the time so the engine does not warm up.	<ul style="list-style-type: none"><li>• Water condenses in the engine and mixes with the oil, resulting in a milky appearance.</li></ul>	The engine oil deteriorates, becomes less efficient as a lubricant, and causes an engine malfunction.
Frequent starting and stopping without allowing the engine to warm up.	<ul style="list-style-type: none"><li>• Unburned fuel mixes with the oil, increasing the volume of oil.</li></ul>	

# PRE-OPERATION CHECKS

## Fuel Level



### [Except SHL, LHL and LH3 types]

Check the fuel level. Refill the fuel tank if the fuel level is low.

### [SHL, LHL and LH3 types]

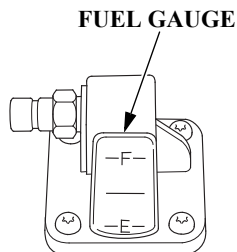
Check the fuel gauge and refill the tank if the fuel level is low.

### NOTE:

Open the fuel filler cap vent knob before removing the fuel filler cap. When the fuel filler cap vent knob is firmly closed, the fuel filler cap will be difficult to remove.

After refueling, be sure to tighten the fuel filler cap firmly.

### [SHL, LHL and LH3 types]



Use unleaded gasoline with a Research Octane Number of 91 or higher (a Pump Octane Number of 86 or higher). Use of leaded gasoline may cause damage to the engine.

Never use gasoline that is stale, contaminated, or mixed with oil. Avoid getting dirt, dust or water in the fuel tank.

Fuel tank capacity (separate tank):  
Except SHL, LHL and LH3 types  
12 L (3.2 US gal, 2.6 Imp gal)  
SHL, LHL and LH3 types  
25 L (6.6 US gal, 5.5 Imp gal)

### **▲WARNING**

- **Gasoline is extremely flammable and is explosive under certain conditions.**
- **Refuel in a well-ventilated area with the engine stopped.**
- **Do not smoke or allow flames or sparks in the area where the engine is refueled or where gasoline is stored.**
- **Do not overfill the fuel tank (there should be no fuel in the filler neck). After refueling, make sure the tank cap is closed properly and securely.**
- **Be careful not to spill fuel when refueling. Spilled fuel or fuel vapor may ignite. If any fuel is spilled, make sure the area is dry before starting the engine.**
- **Avoid repeated or prolonged contact with skin or breathing of vapor.**
- **KEEP OUT OF REACH OF CHILDREN.**

### **Regarding use of fuel containing lead**

- Fuel containing lead produces residue when burned. This residue accumulates in the cylinder head and on the exhaust valve seats and should be removed by an authorized outboard motor dealer every 200 operating hours or every year, whichever comes first (refer to page 112, “Maintenance”).
- If carbon removal is not carried out as recommended, engine life and performance may be influenced.

### **Gasoline Containing Alcohol**

If you decide to use a gasoline containing alcohol (gasohol), be sure its octane rating is at least as high as that recommended by Honda. There are two types of “gasohol”: one containing ethanol, and the other containing methanol.

Do not use gasohol that contains more than 10% ethanol.

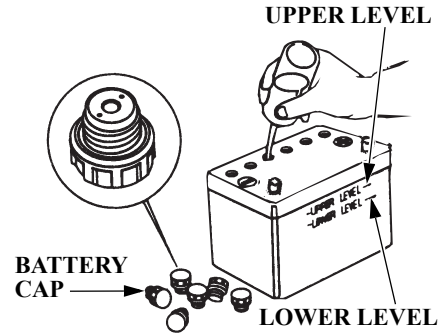
Do not use gasoline containing more than 5% methanol (methyl or wood alcohol) and that does not also contain co-solvents and corrosion inhibitors for methanol.

## PRE-OPERATION CHECKS

### NOTE:

- Fuel system damage or engine performance problems resulting from the use of gasoline that contains more alcohol than recommended is not covered under the warranty.
- Before buying gasoline from an unfamiliar station, first determine if the gasoline contains alcohol, if it does, find out the type and percentage of alcohol used. If you notice any undesirable operating symptoms while using a particular gasoline. Switch to a gasoline that you know contains less than the recommended amount of alcohol.

### Battery Electrolyte Level



### NOTICE

**Battery handling differs according to the type of the battery and the instructions described below might not be applicable to the battery of your outboard. Refer to the battery manufacturer's instructions.**

Check whether the battery fluid is between the upper and lower levels, and check the vent hole in the battery caps for clogging.

If the battery fluid is near or below the lower level, add the distilled water to the upper level.

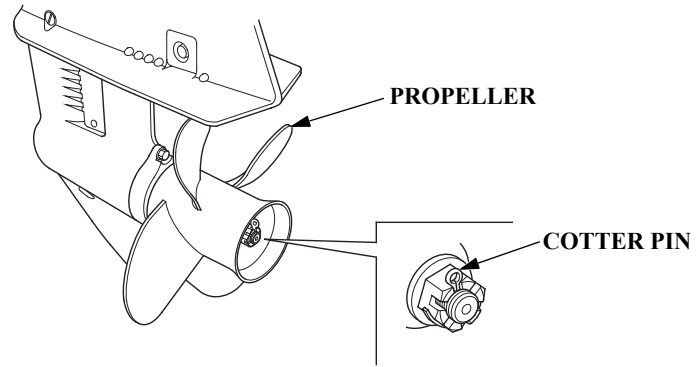
### ▲WARNING

**Batteries produce explosive gases: If ignited, an explosion can cause serious injury or blindness. Provide adequate ventilation when charging.**

- **CHEMICAL HAZARD:** Battery electrolyte contains sulfuric acid. Contact with eyes or skin, even through clothing, may cause severe burns. Wear a faceshield and protective clothing.
- Keep flames and sparks away, and do not smoke in the area.  
**ANTIDOTE:** If electrolyte gets into your eyes, flush thoroughly with warm water for at least 15 minutes and call a physician immediately.
- **POISON:** Electrolyte is poison.  
**ANTIDOTE:**  
— External: Flush thoroughly with water.

- **Internal:** Drink large quantities of water or milk. Follow with milk of magnesia or vegetable oil, and call a physician immediately.
- **KEEP OUT OF REACH OF CHILDREN.**

## Propeller and Cotter Pin <Inspection>



### Propeller and Cotter Pin

Propeller rotates rapidly while cruising. Before starting the engine, check the propeller blades for damage and deformation and replace if necessary.

Obtain a spare propeller for the event of an unpredictable accident while cruising. If no spare propeller is available, return to the pier at low speed and replace.

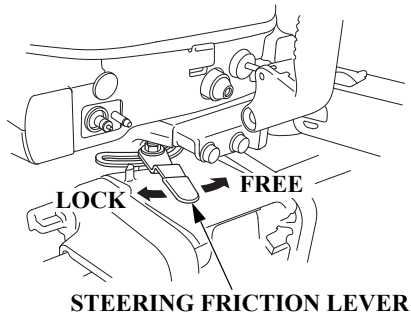
Consult an authorized Honda outboard motor dealer for propeller selection.

1. Check the propeller for damage, wear, or deformation.
2. Check whether the propeller is installed properly.
3. Check the cotter pin for damage. Replace whenever the propeller is faulty.



# PRE-OPERATION CHECKS

## Steering Handle Friction (H type)



Check whether the handle moves smoothly.  
For smooth steering, adjust the steering friction lever so that a slight drag is felt when turning.

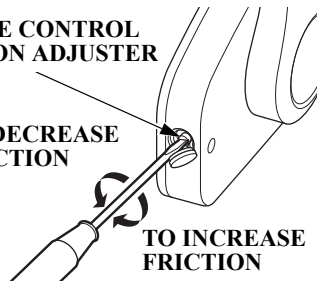
### NOTE:

Do not apply grease or oil on the friction lever. Grease or oil will reduce the friction of the lever.

## Remote Control Lever Friction (R type)

### REMOTE CONTROL FRICTION ADJUSTER

TO DECREASE FRICTION

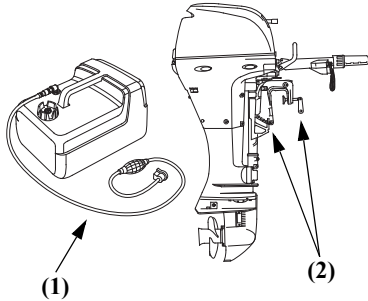


TO INCREASE FRICTION

Check whether the remote control lever moves smoothly.  
Friction of the lever can be adjusted by turning the remote control friction adjuster right or left.

# PRE-OPERATION CHECKS

## Other Checks



### Check the following items:

- (1) The fuel line for kinking, collapsing or a loose connection.
- (2) The stern bracket for damage and clamp screw tightened.
- (3) The tool kit for missing spare parts and tools (see page 111).
- (4) The anode metal for damage, looseness or excessive corrosion. The anode metal helps to protect the outboard motor from corrosion damage; it must be exposed directly to the water whenever the outboard motor is in use. Replace the anodes

(3) **TOOL KIT** (see page 111)

when they have been reduced to about two-thirds of their original size, or if they are crumbling.

### NOTICE

**The possibility of corrosion damage is increased if the anode metal is painted over or allowed to deteriorate.**

- (5) The tiller handle for loose installation, wobble, or operation (H type).

- (6) The remote control lever and switch for operation (R type).

Parts/materials which should be installed on board:

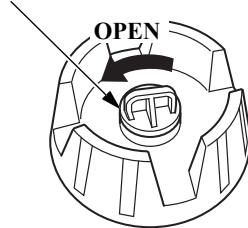
- Owner's Manual
- Tool kit
- Spare Plug(s), engine oil, Spare propeller, Cotter pin(s).
- Spare emergency stop switch clip.
- Other parts/materials required by laws/regulations.

## 7. STARTING THE ENGINE

---

### Fuel Tank and Vent Knob

FUEL FILLER CAP VENT KNOB

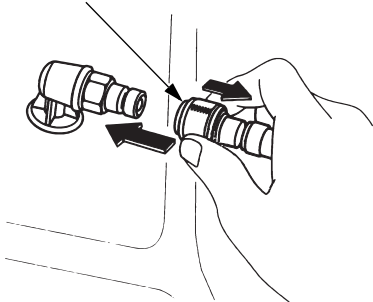


The fuel tank must be properly secured in the boat. This will protect the fuel tank from mechanical damage caused by the fuel tank shifting.

The fuel tank must be in a well-ventilated area to reduce the chance of a gasoline vapor explosion. Avoid direct sunlight on the fuel tank. Due to the fuel pump capacity, do not place the fuel tank more than 2 meters (6.6 feet) away from the outboard motor or lower than 1 meter (3.3 feet) below the outboard motor end fuel line connector.

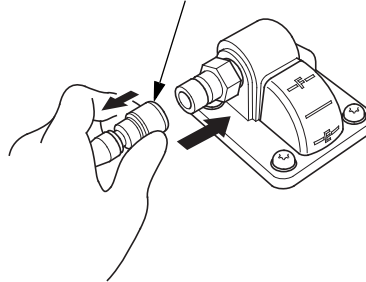
1. Turn the fuel filler cap vent knob counterclockwise all the way to open the vent.  
Allow the air pressure inside the fuel tank to equalize with the outside air. With the vent open, air can enter the fuel tank to displace the fuel as the fuel level goes down.
2. Remove the fuel filler cap and inspect the condition of the fuel filler cap and gasket. Replace the fuel filler cap or gasket if they are cracked, damaged or leak fuel.

## Fuel Line Connection [Except SHL, LHL and LH3 types] FUEL LINE CONNECTOR



Inspect the fuel line, and the O-ring seals in the fuel line connectors. Replace the fuel line, or fuel line connectors if they are cracked, damaged or leak fuel. Be sure the fuel line is not kinked.

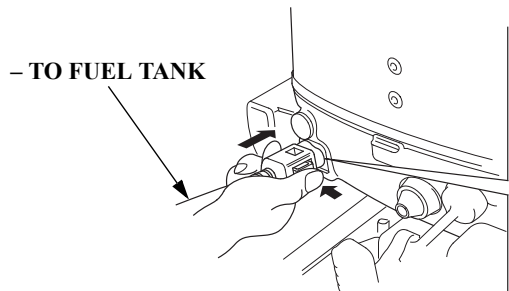
## [SHL, LHL and LH3 types] FUEL LINE CONNECTOR



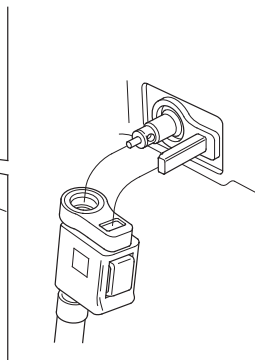
(FUEL TANK SIDE)

1. Connect the fuel line connector to the fuel tank. Be sure the fuel line connector is securely snapped in place.

# STARTING THE ENGINE



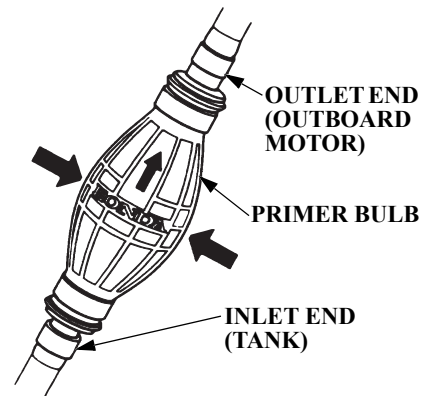
(OUTBOARD MOTOR END)



2. Connect the fuel line connector to the outboard motor. Install the outboard motor end fuel line connector with the clip toward the shift lever side. Be sure the fuel line connector is securely snapped in place. Always disconnect the fuel line when storing or transporting the outboard motor.

## NOTICE

**If the outboard end fuel line connector is forcibly installed in the reversed direction, the fuel line connector O-ring seal can be damaged. A damaged O-ring seal can cause a fuel leak.**



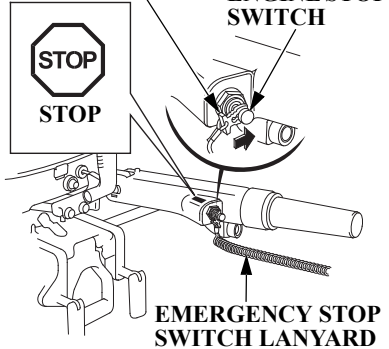
3. Hold the primer bulb so that the outlet end is higher than the inlet end. The arrow on the primer bulb points upward. Squeeze the primer bulb several times until it feels firm, indicating that fuel has reached the carburetor. Check for fuel leaks and repair any leaks before starting the engine.

Do not touch the priming bulb with the engine running or when tilting up the outboard motor. The carburetors could overflow.

# STARTING THE ENGINE (H type)

## Starting the Engine

EMERGENCY STOP  
SWITCH CLIP



### NOTICE

**The propeller must be lowered into the water, running the outboard motor out of the water will damage the water pump and overheat the engine.**

1. Engage the emergency stop switch clip (located at one end of the emergency stop switch lanyard) with the engine stop switch.

Attach the other end of the emergency stop switch lanyard securely to the operator.

### ▲WARNING

**If the emergency stop switch lanyard is not set, the boat might run out of control when the operator, for example, falls outboard and not able to operate the outboard.**

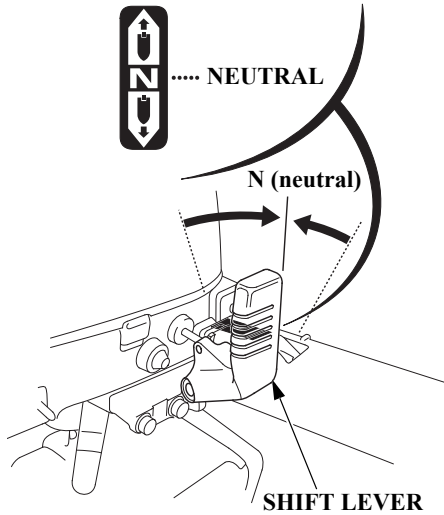
For the sake of the operator's and the passengers' safety, be sure to set the emergency stop switch clip and attach one end of the emergency stop switch lanyard securely to the operator.

### NOTE:

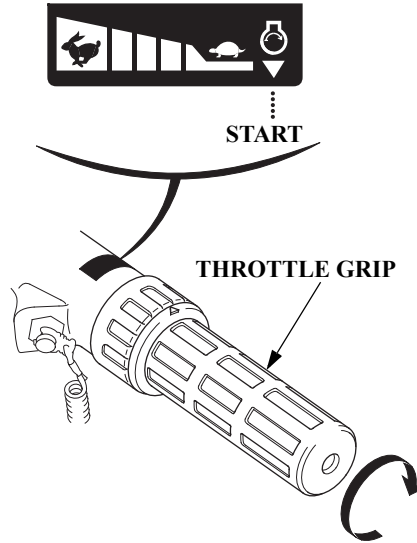
The engine does not start unless the emergency stop switch clip is set on the engine stop switch.

Store the spare emergency stop switch clip in the tool bag. Use the spare emergency stop switch clip to make the emergency engine start when the emergency stop switch lanyard is not available as, for example, the operator falls outboard.

# STARTING THE ENGINE (H type)

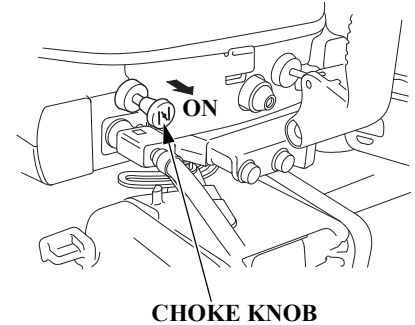


2. Move the shift lever to the N (neutral) position. The engine does not start unless the shift lever is set in the N (neutral) position.



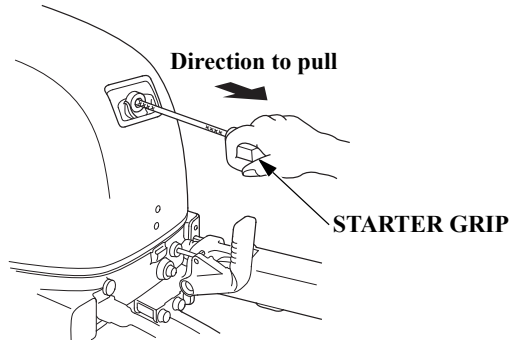
3. Align the “0” mark on the throttle grip with the projected end of the “▶” mark on the handle.

4. (Manual choke type)  
When the engine is cold or ambient temperature is low, pull the choke knob to the ON position.  
(It provides rich fuel mixture to the engine.)



**NOTE:**  
This engine is equipped with an accelerator pump. Do not turn the throttle grip frequently before starting. Hard starting may result. If the throttle grip has been turned frequently before starting, open the throttle grip 1/8 – 1/4 turns and start.

## STARTING THE ENGINE (H type)



### 5. Recoil starter

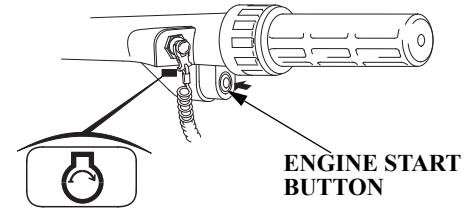
Pull the starter grip lightly until you feel resistance, then pull briskly in the direction of the arrow as shown above.

#### NOTICE

- Do not allow the starter grip to snap back against the engine. Return it gently to prevent damage to the starter.
- Do not pull the starter grip while the engine is running, as that may damage the starter.

#### NOTE:

The “Neutral Starting System” prevents the starter rope from being pulled out for starting the engine unless the shift lever is set in the N (neutral) position.



### 6. Electric starter (Electric starter type)

Press the engine start button and hold it there until the engine starts.

When the engine starts, release the button.

#### NOTICE

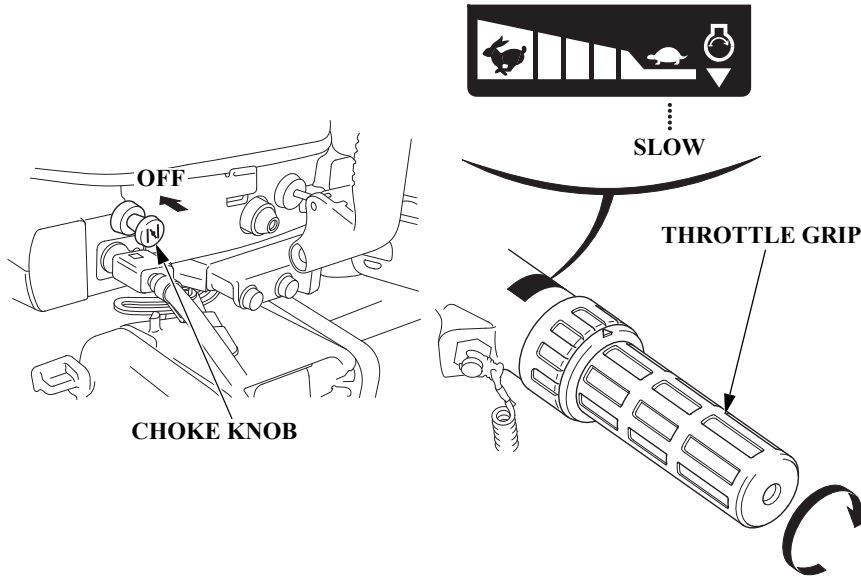
- The starter motor consumes a large amount of current. Do not therefore run it continuously for more than 5 seconds at a time. If the engine does not start within 5 seconds, wait at least 10 seconds before running the starter motor again.
- Do not press the engine start button while the engine is running. This may damage the starting unit.

#### NOTE:

The “Neutral Starting System” prevents the engine from being started unless the shift lever is set in the N (neutral) position even though the engine is cranked by the starting motor.



## STARTING THE ENGINE (H type)

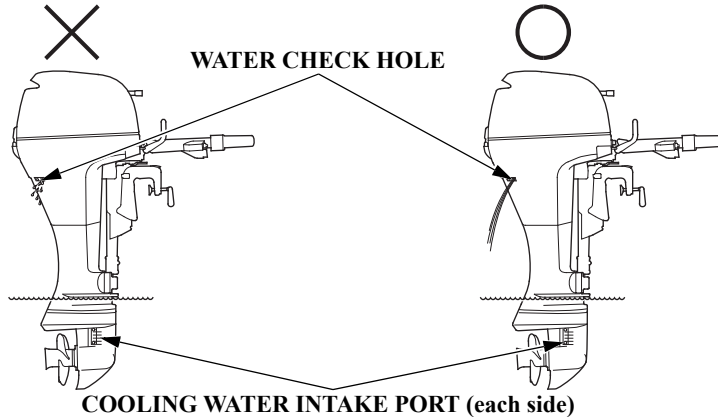


7. If you pulled out the choke knob to the ON position to start the engine, return it slowly to the OFF position (manual choke type), and turn the throttle grip in the SLOW direction to a position where the engine does not stall.

### NOTE:

This engine is equipped with an accelerator pump. Do not turn the throttle grip frequently before starting. Hard starting may result. If the throttle grip has been turned frequently before starting, open the throttle grip 1/8 – 1/4 turns and start.

## STARTING THE ENGINE (H type)



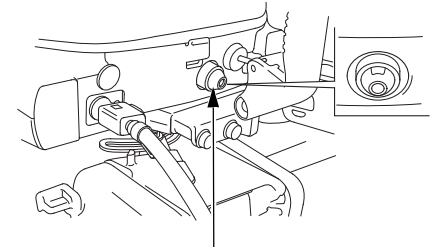
8. After starting, check whether the cooling water is flowing out of the cooling water check hole. Amount of water flowing out of the check hole might vary due to the thermostat operation, but this is normal.

### NOTICE

**If water does not flow out, or if steam comes out, stop the engine. Check to see if the screen in the cooling water intake port is obstructed and remove foreign**

**materials if necessary. Check the cooling water check hole for clogging. If water still does not flow out, have your outboard motor checked by an authorized outboard motor dealer. Do not operate the engine until the problem has been corrected.**

**NORMAL: ON**  
**ABNORMAL: OFF**



**OIL PRESSURE INDICATOR LIGHT**

9. Check to see if the oil pressure indicator light turns ON.

## STARTING THE ENGINE (H type)

---

If it does not turn on, stop the engine and perform the following inspections.

- 1) Check the oil level (see page 50).
- 2) If the oil level is normal and the oil pressure indicator light does not turn ON, consult with an authorized Honda outboard motor dealer.

10. Warm up the engine as follows:

Above 5°C (41°F) – run the engine for 2 or 3 minutes.

Below 5°C (41°F) – run the engine for at least 5 minutes at 2,000 min<sup>-1</sup> (rpm) – 3,000 min<sup>-1</sup> (rpm).

Failure to completely warm up the engine will result in poor engine performance.

In an area where the temperature goes down below 0°C (32°F), the engine cooling system may freeze.

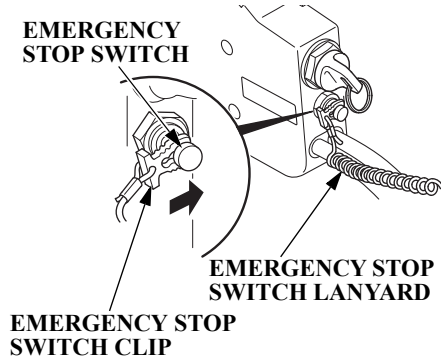
High speed operation without proper engine warm up may damage the engine.

### NOTE:

Before leaving the dock, check the operation of the emergency stop switch.

# STARTING THE ENGINE (R type)

## Starting the Engine



### NOTICE

**The propeller must be lowered into the water, running the outboard motor out of the water will damage the water pump and overheat the engine.**

1. Engage the emergency stop switch clip (located at one end of the emergency stop switch lanyard) with the emergency stop switch. Attach the other end of the emergency stop switch lanyard securely to the operator.

### ▲WARNING

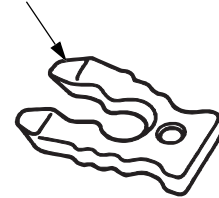
**If the emergency stop switch lanyard is not set, the boat might run out of control when the operator, for example, falls outboard and not able to operate the outboard.**

For the sake of the operator's and the passengers' safety, be sure to set the emergency stop switch clip and attach one end of the emergency stop switch lanyard securely to the operator.

### NOTE:

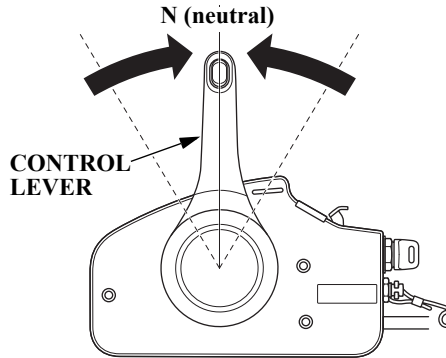
The engine does not start unless the emergency stop switch clip is set on the emergency stop switch.

### SPARE EMERGENCY STOP SWITCH CLIP (optional equipment)

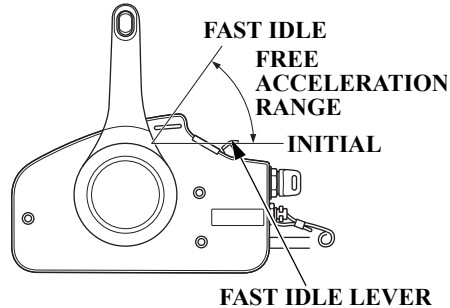


A spare emergency stop switch clip (optional equipment) can be stored in the tool bag (see page 111).

## STARTING THE ENGINE (R type)



2. Set the control lever in the N (neutral) position.  
The engine does not start unless the control lever is set in the N (neutral) position.

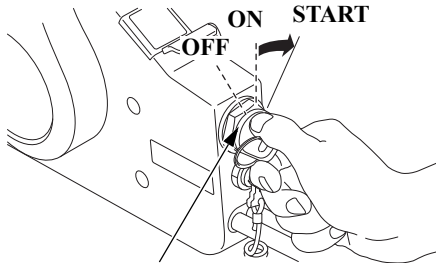


3. When the engine is cold or the ambient temperature is low, leave the fast idle lever in the initial position. (This will provide rich fuel mixture to the engine by the automatic choke.)  
When the engine is warm, raise the fast idle lever to the FAST IDLE position and hold it in the position.

### NOTE:

The fast idle lever does not move unless the control lever is set in the N (neutral) position.

## STARTING THE ENGINE (R type)



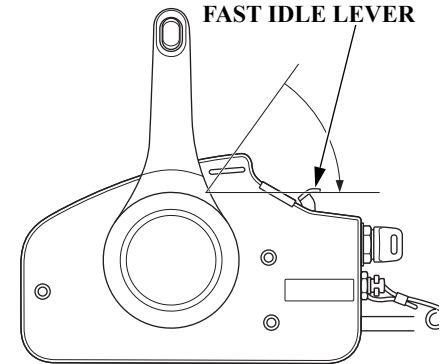
ENGINE SWITCH KEY

4. Turn the engine switch key to the START position and hold it there until the engine starts. When the engine starts, release the key, allowing it to return to the ON position.

### NOTICE

- The starter motor consumes a large amount of current. Do not therefore run it continuously for more than 5 seconds at a time. If the engine does not start within 5 seconds, wait at least 10 seconds before running the starter motor again.
- Do not turn the engine switch key to the START position while the engine is running.

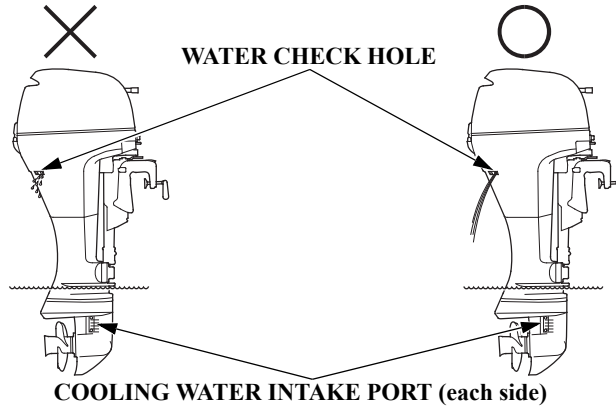
**NOTE:**  
The “Neutral Starting System” prevents the engine from being started unless the control lever is set in the N (neutral) position even though the engine is cranked by the starting engine.



5. If the fast idle lever is raised, return the fast idle lever slowly to the position where the engine does not stall and hold the lever in the position.

## STARTING THE ENGINE (R type)

---

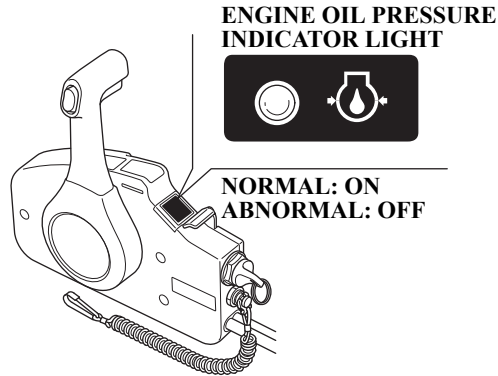


6. After starting, check whether the cooling water is flowing out of the cooling water check hole. Amount of water flowing out of the check hole might vary due to the thermostat operation, but this is normal.

### NOTICE

**If water does not flow out, or if steam comes out, stop the engine. Check to see if the screen in the cooling water intake port is obstructed and remove foreign materials if necessary. Check the cooling water check hole for clogging. If water still does not flow out, have your outboard motor checked by an authorized outboard motor dealer. Do not operate the engine until the problem has been corrected.**

## STARTING THE ENGINE (R type)



7. Check to see if the oil pressure indicator light turns ON.

If it does not turn on, stop the engine and perform the following inspections.

- 1) Check the oil level (see page 50).
- 2) If the oil level is normal and the oil pressure indicator light does not turn ON, consult with an authorized Honda outboard motor dealer.

8. Warm up the engine as follows:  
Above 5°C (41°F) – run the engine for 2 or 3 minutes.  
Below 5°C (41°F) – run the engine for at least 5 minutes at 2,000 min<sup>-1</sup> (rpm) – 3,000 min<sup>-1</sup> (rpm).  
Failure to completely warm up the engine will result in poor engine performance.

In an area where the temperature goes down below 0°C (32°F), the engine cooling system may freeze.  
High speed operation without

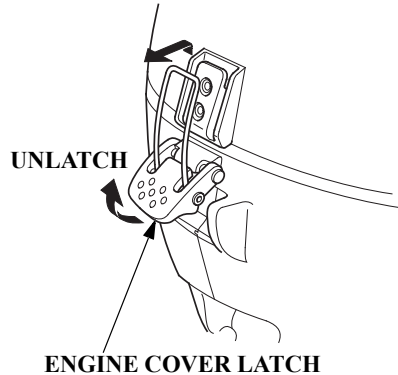
proper engine warm up may damage the engine.

**NOTE:**  
Before leaving the dock, check the operation of the emergency stop switch.



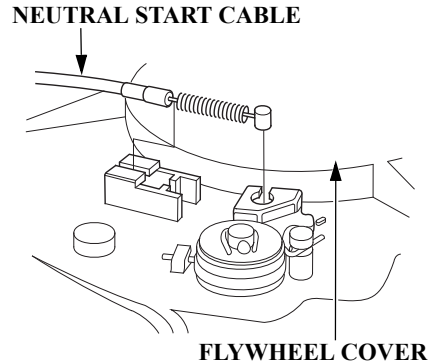
# STARTING THE ENGINE

## Emergency Starting

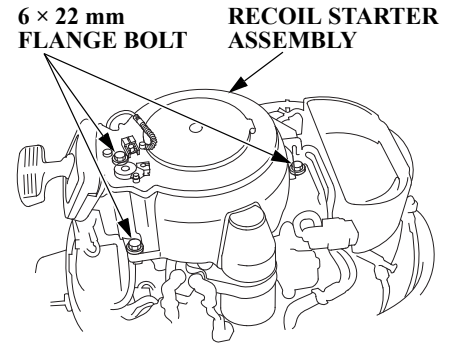


If the recoil starter does not operate properly for some reasons, the engine can be started using the spare starter rope that came with your outboard motor.

1. Unlatch the engine cover latch and remove the engine cover.

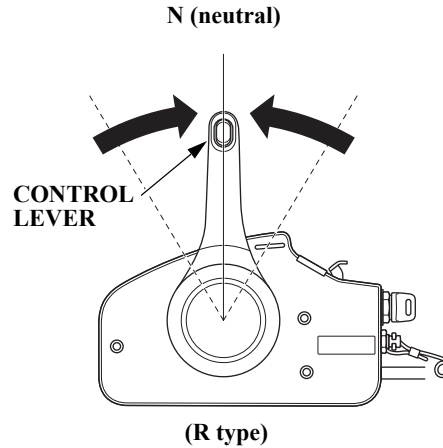
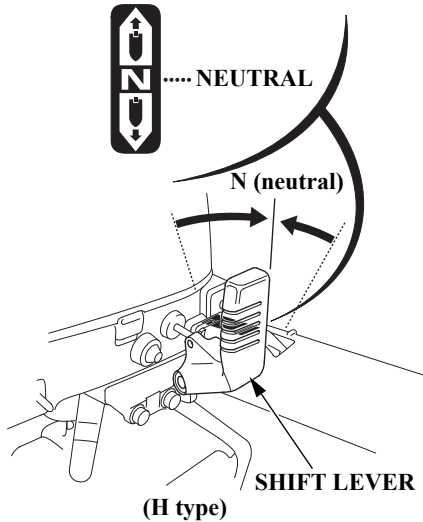


2. Move the shift lever to "F" (forward) position. Loosen the neutral start cable lock nut and disconnect the neutral start cable.



3. Remove the three 6 × 22 mm flange bolts and recoil starter assembly.

**NOTE:**  
Take care not to lose the bolts.

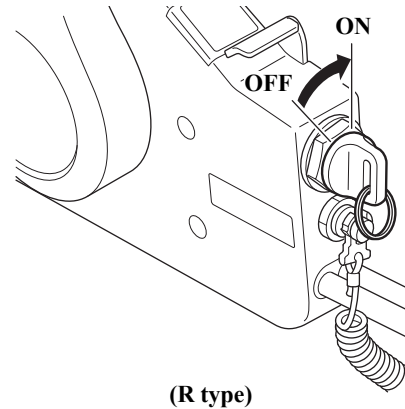
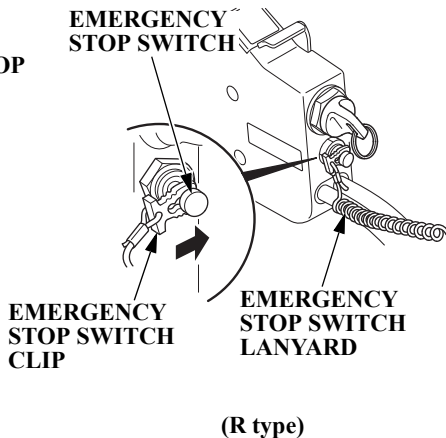
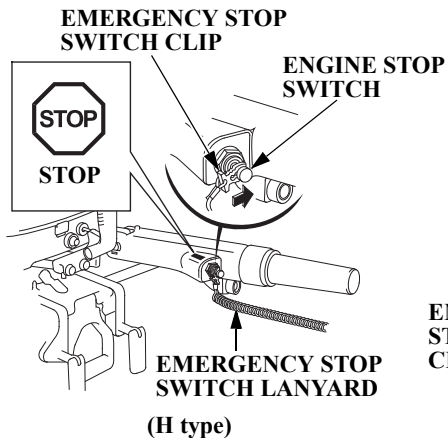


4. Set the shift lever/control lever in the N (neutral) position.

**▲WARNING**

The “Neutral Starting System” will not work in emergency starting. Be sure to set the shift lever/control lever into the N (neutral) position to prevent start-in-gear when starting the engine in emergency. Sudden unexpected acceleration could result in serious injury or death.

# STARTING THE ENGINE



6. If your outboard motor is the remote control type, turn the engine switch to the "ON" position.

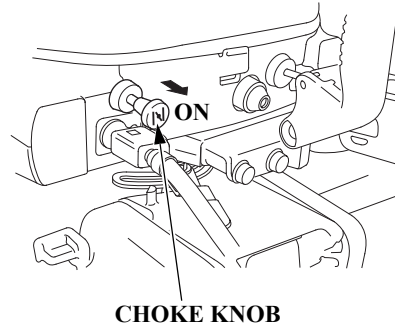
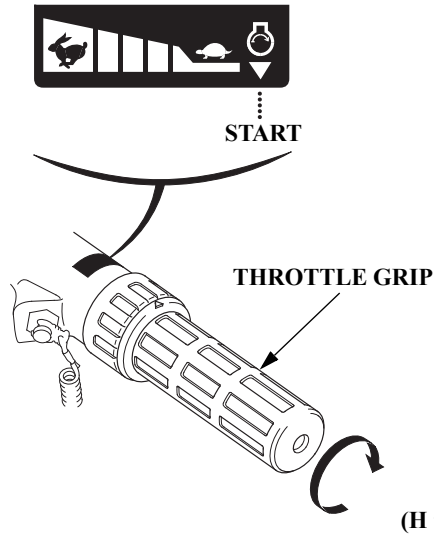
## NOTICE

**The propeller must be lowered into the water, running the outboard motor out of the water will damage the water pump and overheat the engine.**

5. Engage the emergency stop switch clip (located at one end of the emergency stop switch lanyard) with the engine/emergency stop switch.

Attach the other end of the emergency stop switch lanyard securely to the operator.

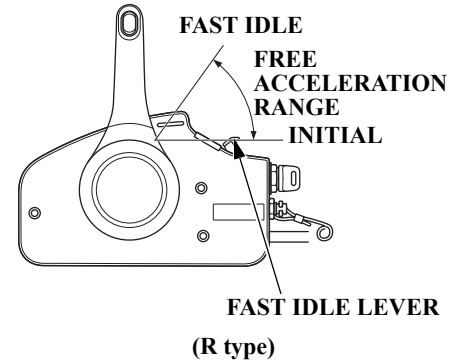
# STARTING THE ENGINE



7. Align the “☉” mark on the throttle grip with the projected end of the “▶” mark on the handle.
8. (Manual choke type)  
When the engine is cold or ambient temperature is low, pull the choke knob to the ON position. (It provides rich fuel mixture to the engine.)

## NOTE:

This engine is equipped with an accelerator pump. Do not turn the throttle grip frequently before starting. Hard starting may result. If the throttle grip has been turned frequently before starting, open the throttle grip 1/8 – 1/4 turns and start.

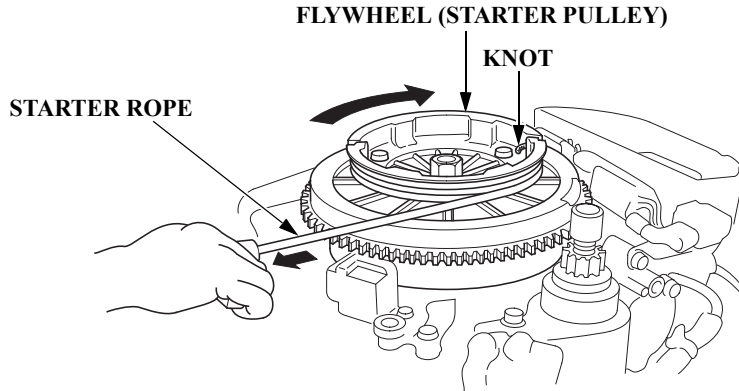


9. When the engine is cold or the ambient temperature is low, leave the fast idle lever in the initial position. (This will provide rich fuel mixture to the engine by the automatic choke.)  
When the engine is warm, raise the fast idle lever to the FAST IDLE position and hold it in the position.

## NOTE:

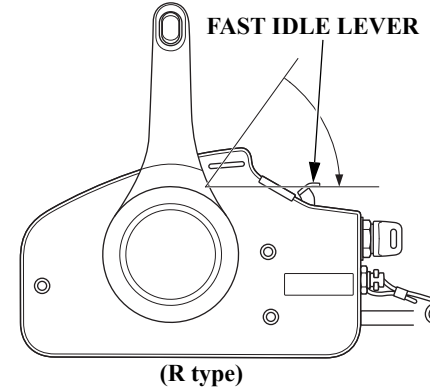
The fast idle lever does not move unless the control lever is set in the N (neutral) position.

# STARTING THE ENGINE



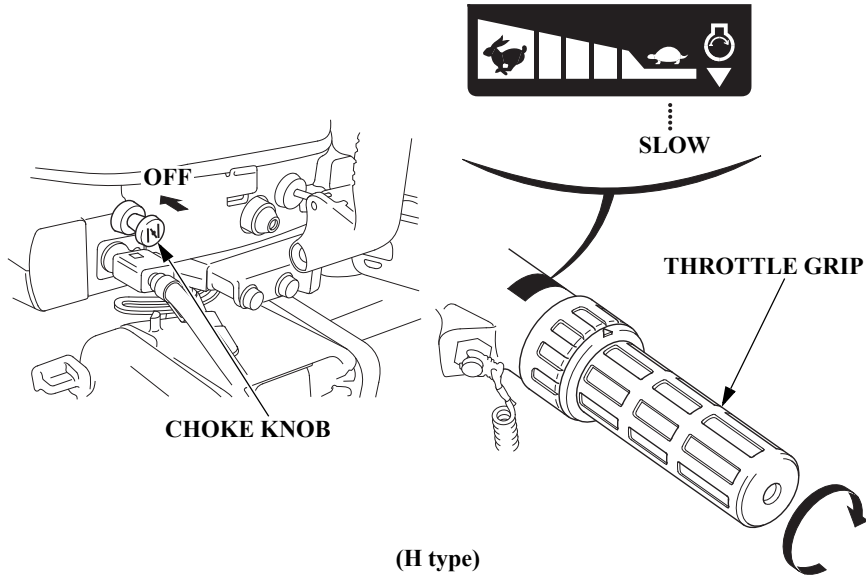
10. Set the knot at the end of the emergency starter rope in the notch in the flywheel, and while pulling the emergency starter rope clockwise around the flywheel.

11. Pull the starter rope lightly until resistance is felt, then pull briskly.



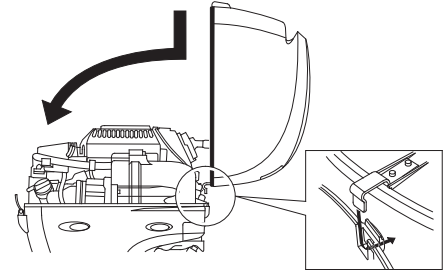
12. If the fast idle lever is raised, return the fast idle lever slowly to the position where the engine does not stall and hold the lever in the position.

## STARTING THE ENGINE



(H type)

13. If you pulled out the choke knob to the ON position to start the engine, return it slowly to the OFF position (manual choke type), and turn the throttle grip in the SLOW direction to a position where the engine does not stall.



14. Reinstall the engine cover.

### **▲WARNING**

Take extreme care when installing the engine cover. The flywheel is rotating. Do not operate without the engine cover. Exposed moving parts could cause injury and starter may damage the engine.

## STARTING THE ENGINE

---

15. Attach the emergency stop switch lanyard securely to the operator and return to the closest boat landing.
16. After returning to the closest boat landing, contact your closest authorized outboard motor dealer and perform the following.
  - Have the starting system and electrical system checked.
  - Have your dealer reassemble the parts removed in the emergency starting procedure.

# STARTING THE ENGINE

## Troubleshooting Starting Problems

SYMPTOM	POSSIBLE CAUSE	REMEDY
Starter motor doesn't turn over (Electric starter type)	<ol style="list-style-type: none"><li>1. Engine switch OFF.</li><li>2. Shift lever not in NEUTRAL position.</li><li>3. Blown fuse.</li><li>4. Loose battery connector.</li></ol>	<ol style="list-style-type: none"><li>1. Turn engine switch key START. (page 69)</li><li>2. Set shift lever in NEUTRAL position. (page 62, 68)</li><li>3. Replace fuse. (page 128)</li><li>4. Connect battery cable securely. (page 46)</li></ol>
Starter motor turns but the engine doesn't start. (Electric starter type) Pull the starter rope slowly until a resistance is felt, then pull briskly.	<ol style="list-style-type: none"><li>1. Out of fuel.</li><li>2. Vent knob not open.</li><li>3. Primer bulb not squeezed.</li><li>4. Engine flooded.</li><li>5. Weak battery. (Electric starter type)</li><li>6. Plug cap is not installed properly.</li><li>7. Emergency stop switch clip is not set.</li></ol>	<ol style="list-style-type: none"><li>1. Supply fuel. (page 52)</li><li>2. Open vent knob. (page 58)</li><li>3. Squeeze primer bulb to supply fuel. (page 60)</li><li>4. Clean and dry spark plug. (page 118)</li><li>5. Start using emergency starter rope. (page 72)</li><li>6. Install plug cap securely. (page 119)</li><li>7. Set emergency stop switch clip. (page 61, 67)</li></ol> <p>Have your authorized outboard motor dealer charge battery.</p>



## 8. OPERATION (H type)

### Break-in Procedure

Break-in operation allows the mating surfaces of the moving parts to wear evenly and thus ensures proper performance and longer outboard motor life.

Break-in your new outboard motor as follows.

For the initial 15 minutes:

Run the outboard motor at idling or trolling speeds (i.e. the lowest possible speed).

For the next 45 minutes:

Run the outboard motor at 2,000 – 3,000  $\text{min}^{-1}$  (rpm) (with 10% – 30% of throttle).

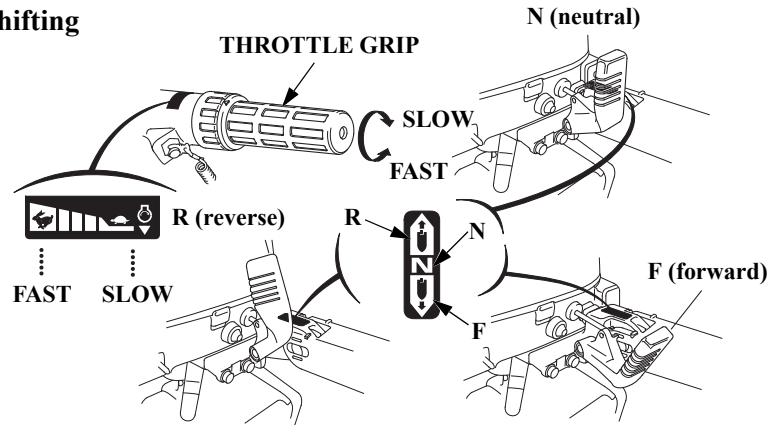
For the next to the second 60 minutes:

Run the outboard motor at 4,000 – 5,000  $\text{min}^{-1}$  (rpm) (with 50% – 80% of throttle).

For the initial 10 hours:

Avoid continuous full throttle (100% throttle) operation for more than 5 minutes.

### Gear Shifting



The gearshift lever has 3 positions: FORWARD, NEUTRAL, and REVERSE.

An indicator at the base of the gearshift lever aligns with the icon attached at the base of the gearshift lever.

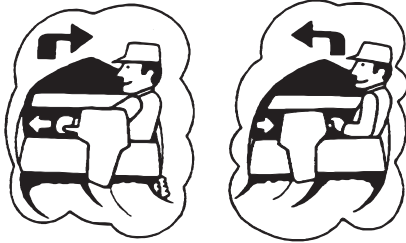
Turn the throttle grip to SLOW to decrease engine speed before moving the gearshift lever.

### NOTE:

Do not turn the throttle grip with force in the FAST direction. The throttle can be opened to FAST only in FORWARD gear.

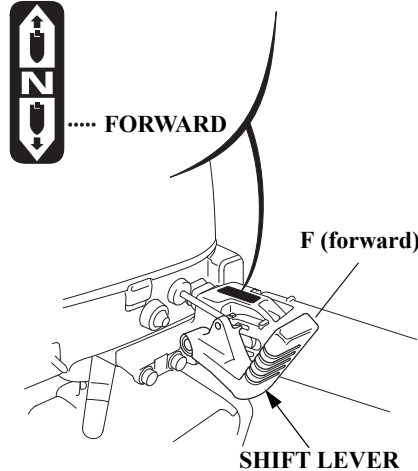
Be sure that the tilt lever is in the RUN (LOCK) position.

## Steering

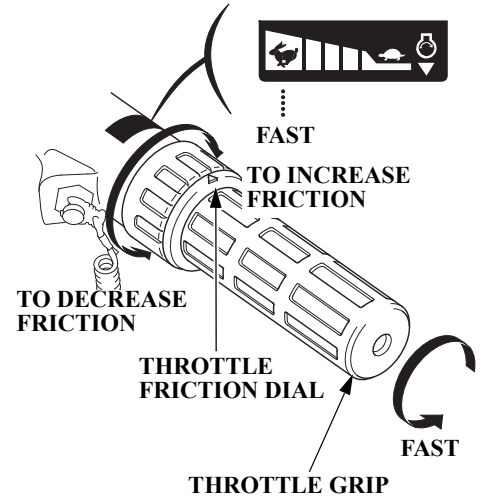


The boat swings its stern in the opposite direction in which it is to turn. To turn to the right, swing the steering handle to the left. To turn to the left, swing the steering handle to the right.

## Cruising



1. With the shift lever in the FORWARD position, turn the throttle grip in the FAST direction to increase the speed.
2. For the sake of fuel economy, open the throttle about 80%.



To hold the throttle at a steady setting, turn the throttle friction dial clockwise. To free the throttle grip for manual speed control, turn the friction dial counterclockwise.

## OPERATION (H type)

---

### NOTE:

This outboard motor is equipped with an over-rev limiter in order to prevent a breakdown due to excessive engine speed.

Depending upon the running condition of the outboard motor (if the force applied to the propeller is light, for example), the limiter may operate, causing the engine speed to become unstable, thus preventing stable running.

If the engine speed becomes unstable when the outboard motor is run with the grip near the full open position, return the grip to the SLOW side until the speed becomes stable.

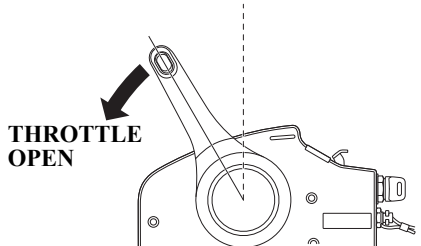
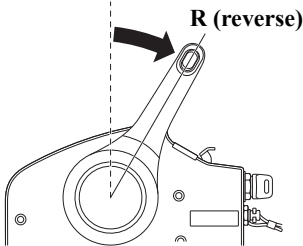
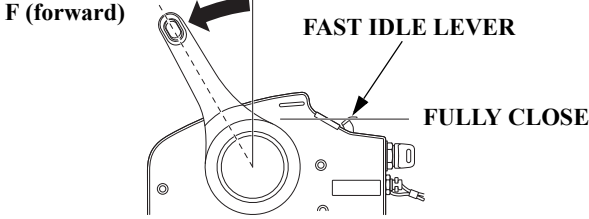
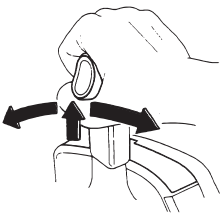
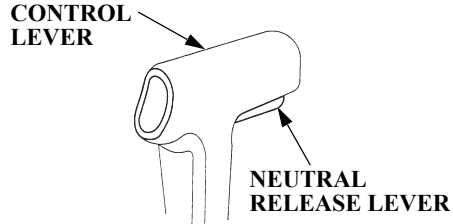
### **▲ CAUTION**

**Do not operate without the engine cover. Exposed moving parts could cause injury; water may damage the engine.**

### NOTE:

For best performance, passengers and equipment should be distributed evenly to balance the boat.

## Gear Shifting



While pulling the neutral release lever, move the control lever 32° toward the FORWARD or REVERSE position to engage the clutch. Moving the control lever further opens the throttle and the engine speed increases.

**▲ CAUTION**  
**Avoid jerky operation of the control lever. An accident or unpredictable injury could result.**

**NOTE:**

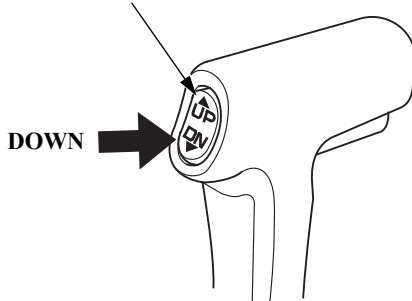
- The control lever might not move unless the neutral release lever is lifted fully.
- Set the fast idle lever in the fully closed throttle position, or the control lever does not operate.

Be sure that the tilt lever is in the RUN (LOCK) position.

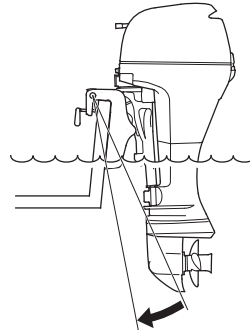
# OPERATION (R type)

## Cruising

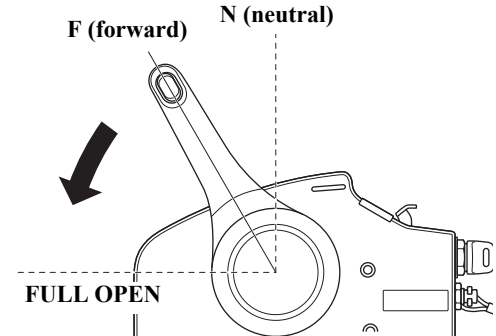
POWER TILT SWITCH



1. On the T type, press the DOWN of the power tilt switch and tilt the outboard motor at the lowermost position.



LOWERMOST POSITION



2. Move the control lever from NEUTRAL toward FORWARD position. Moving about 32° engages the gear. Moving the control lever further opens the throttle and increases the engine speed.
3. For the sake of fuel economy, open the throttle about 80%.

**NOTE:**

This outboard motor is equipped with an over-rev limiter in order to prevent a breakdown due to excessive engine speed.

Depending upon the running condition of the outboard motor (if the force applied to the propeller is light, for example), the limiter may operate, causing the engine speed to become unstable, thus preventing stable running.

If the engine speed becomes unstable when the outboard motor is run with the control lever near the full open position, return the control lever to the LOW side until the speed becomes stable.

**▲ CAUTION**

**Do not operate without the engine cover. Exposed moving parts could cause injury; water may damage the engine.**

**NOTE:**

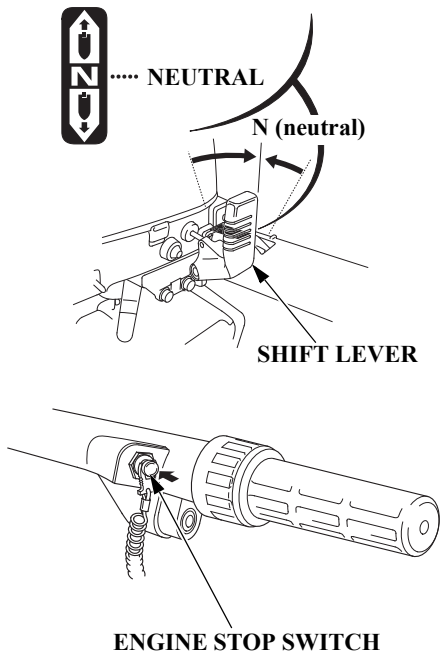
For best performance, passengers and equipment should be distributed evenly to balance the boat.

**Tilting the Outboard Motor (Common)**

Tilt the outboard motor to prevent the propeller and gear case from hitting the bottom when the boat is beached or stopped in shallow water.

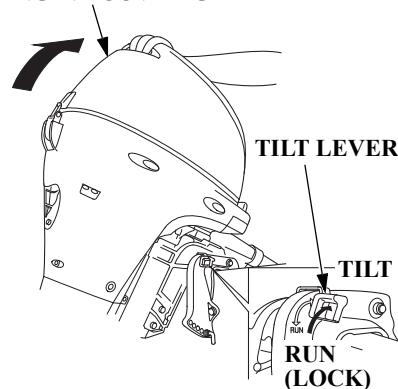
# OPERATION (Manual Tilt type)

## Tilting the Outboard Motor



1. Move the shift lever or the control lever to the N (neutral) position and stop the engine.

## ENGINE COVER GRIP



2. Move the tilt lever to the "TILT" position. Hold the engine cover grip and raise the outboard motor.

## CAUTION

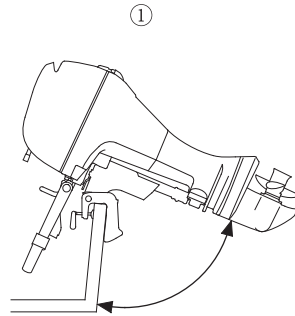
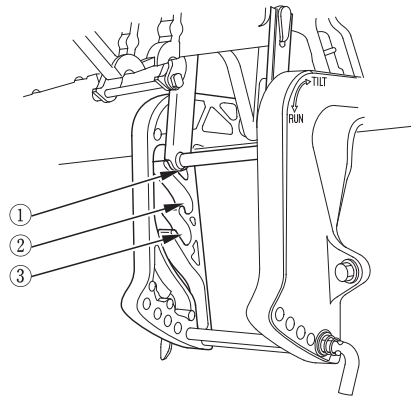
**Do not use the throttle grip to tilt the outboard motor.**

## NOTE:

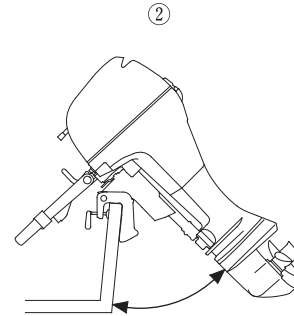
Before tilting up, leave the outboard motor in the running position for one minute after stopping the engine to drain the water from inside the engine.

Stop the engine and disconnect the fuel line from the outboard motor before tilting the outboard motor.

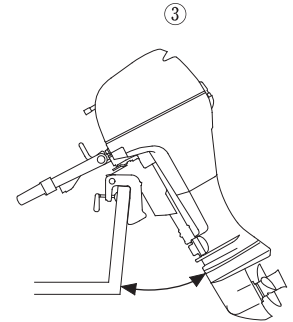
## OPERATION (Manual Tilt type)



71° or 72° (when mooring)



45°



30° (when cruising in shallow water)

3. Set the tilt lever in the “TILT” position, and raise the outboard motor to either the 30°, 45° and 71° (or 72°) tilt position.

BF8D/BF9.9D/BF10D

71° : SH/LH type

72° : R type

BF15D/BF20D

71° : SH type

72° : LH/R type

4. To return the outboard motor to the normal “RUN” position, move the tilt lever away from you until it stops, tilt the outboard motor slightly, then lower the outboard motor slowly.

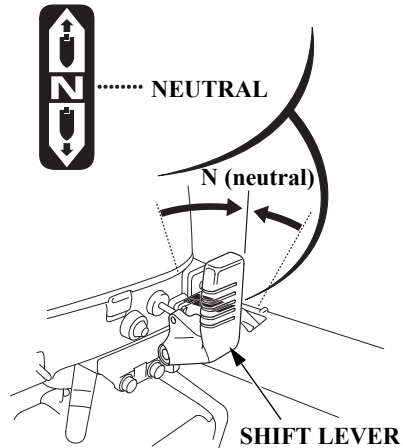
### ▲CAUTION

- Make sure water comes out from the cooling water check hole.
- When the outboard motor is tilted up, cruise at low speed.
- Never operate in reverse when the outboard motor is tilted up. The outboard motor will rise up, causing an accident.

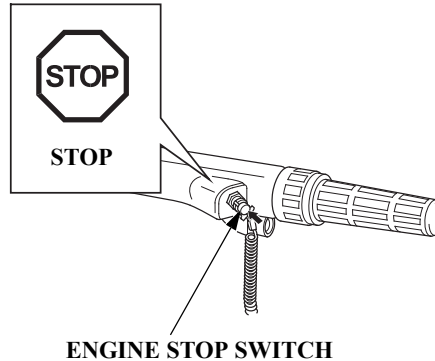


# OPERATION (G type)

## Tilting the Outboard Motor

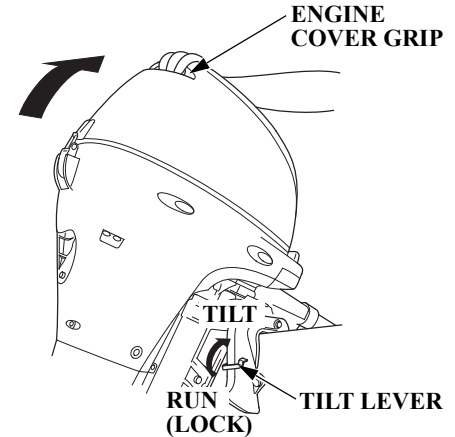


1. Move the shift lever to the N (neutral) position and stop the engine.



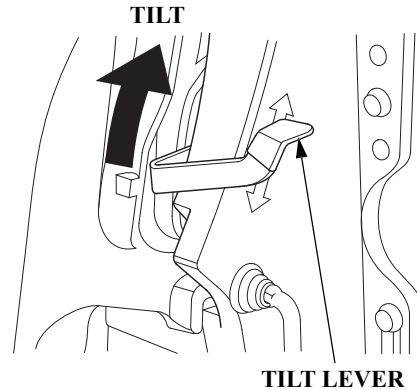
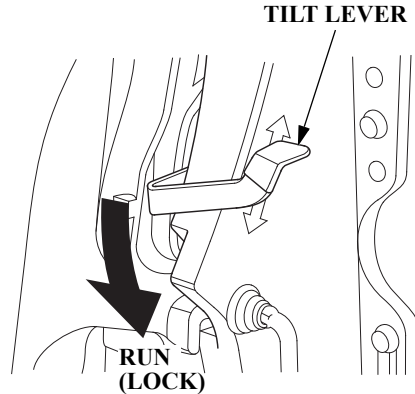
**NOTE:**  
Before tilting up, leave the outboard motor in the running position for one minute after stopping the engine to drain the water from inside the engine.

Stop the engine and disconnect the fuel line from the outboard motor before tilting the outboard motor.



- **To tilt up the outboard motor:**
  2. Set the tilt lever in the “TILT” position. Holding the engine cover grip, raise the outboard motor to the uppermost position.
  3. Set the tilt lock lever in the “LOCK” position (see page 90).

## OPERATION (G type)



### NOTICE

Be sure to use the tilt lock lever whenever the outboard motor is stored while holding it tilted up.

- **To tilt down the outboard motor:**
2. Check that the tilt lever is in the “TILT” position. Holding the engine cover grip, raise the outboard motor a little and set the tilt lock lever in the “FREE” position (see page 90).
  3. Holding the engine cover grip, lower the outboard motor slowly to the cruising position.

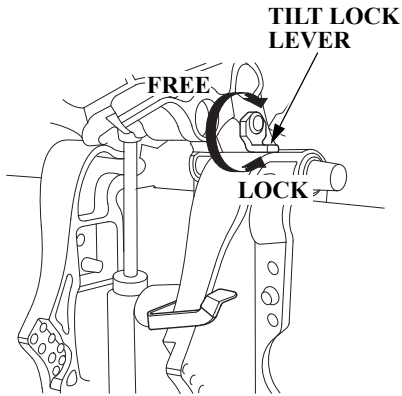
4. Check that the outboard motor is lowered to the cruising position, and set the tilt lever in the “RUN” position.

### ▲ CAUTION

Set the tilt lever in the TILT/RUN positions securely.

# OPERATION (G type)

## Moorage



Tilt-up using the tilt lock lever.  
Use this mechanism when mooring  
the outboard motor.

1. Move the tilt lever to the FREE position and raise the outboard motor as far as it goes by holding it by the grip of the engine cover.
2. Move the tilt lock lever to the LOCK position and lower the outboard motor slowly.
3. Move the tilt lever to the LOCK position.

4. To tilt down, move the tilt lever to the FREE position, and move the tilt lock lever to the FREE position while lifting the outboard motor to the designated position and move the tilt lever to the LOCK position.

## OPERATION (T type)

### Tilting the Outboard Motor

The outboard motor equipped with the power tilt system can adjust the outboard motor angle only while mooring.

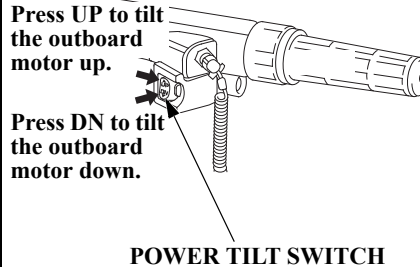
When operating the power tilt switch, stop the boat. Once tilt angle is fixed, it can be kept while cruising both to forward and reverse directions.

#### NOTE:

Before tilting up, leave the outboard motor in the running position for one minute after stopping the engine to drain the water from inside the engine.

Stop the engine and disconnect the fuel line from the outboard motor before tilting the outboard motor.

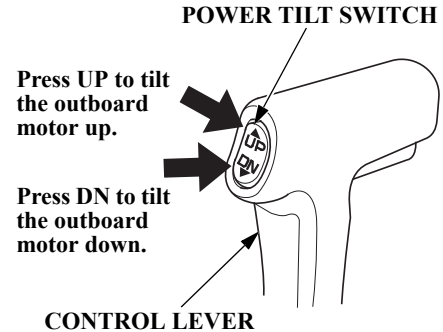
(H type)



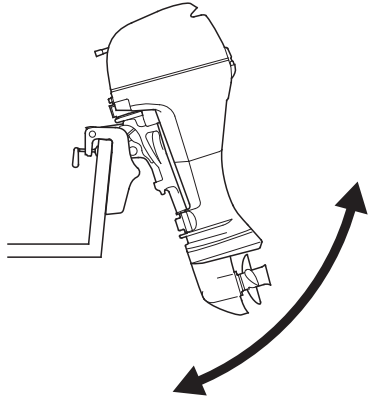
#### • To tilt up the outboard motor:

1. Push the "UP" side of the power tilt switch and tilt up the outboard motor to the uppermost position.
2. Set the tilt lock lever in the "LOCK" position (see page 93).
3. Push the "DN" side of the power tilt switch and lower the outboard motor a little to make it stabilized in the tiltup position.

(R type)



## OPERATION (T type)



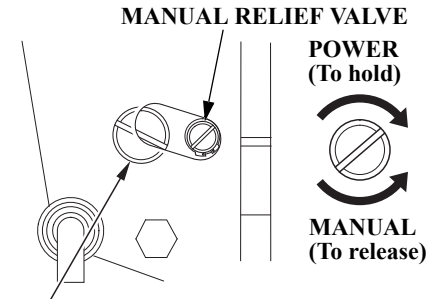
### • To tilt down the outboard motor:

1. Push the “UP” side of the power tilt switch and tilt up the outboard motor to the uppermost position.
2. Set the tilt lock lever in the “FREE” position (see page 93).
3. Push the “DN” side of the power tilt switch and lower the outboard motor to the cruising position.

### ⚠ CAUTION

- Improper transom angle results in unstable steering condition.
- Do not tilt while cruising through the rough wave, or it may cause an accident.
- Excessive transom angle can result in cavitation and racing of the propeller, and tilting up the outboard motor excessively can cause damage to the impeller pump.

### Manual Relief Valve



### ⚠ WARNING

Never loosen this screw.  
Hydraulic oil of the power  
tilt system flows out.

When power tilt system does not operate because of dead battery or faulty power tilt motor, the outboard motor can be manually tilted up or down by operating the manual relief valve.

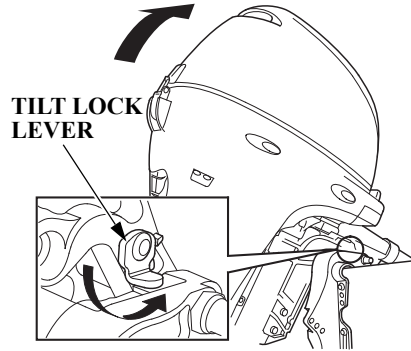
To tilt the outboard motor manually, turn the manual relief valve under the stern bracket 2 and a half turns counterclockwise using a screwdriver.

After tilting up/down manually, close the manual relief valve to lock the outboard motor in the position.

### ▲ CAUTION

The manual relief valve must be tightened securely before operating the outboard motor or the outboard motor could tilt when operating in reverse.

### Moorage



Tilt-up using the tilt lock lever.  
Use this mechanism when mooring the outboard motor.

1. Raise the outboard motor as full as it goes using the power tilt switch.
2. Move the tilt lock lever to the LOCK position and lower the outboard motor until the lock lever contacts the stern bracket.

### NOTE:

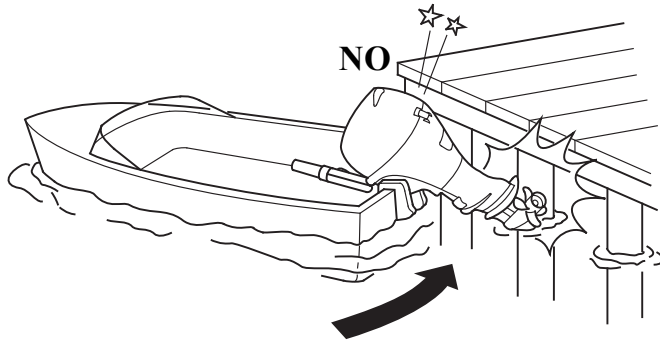
If more clearance is needed to swing the tilt lock lever into the LOCK position, rock the outboard motor back slightly by pulling on the engine cover grip.

3. To tilt down, raise the outboard motor slightly, move the tilt lock lever to the FREE position, and lower the outboard motor to the designated position.

# OPERATION

---

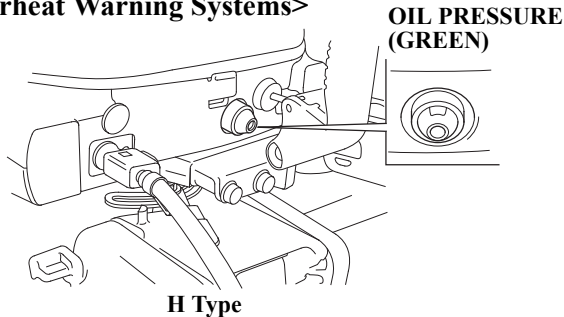
## Mooring



### **⚠ CAUTION**

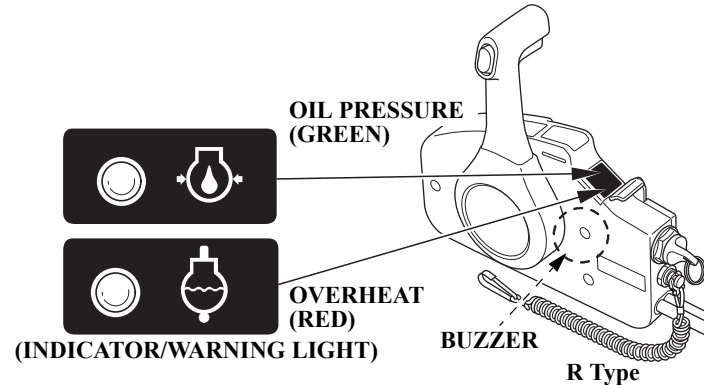
To avoid damaging the outboard motor, use the utmost care when mooring a boat, especially when its outboard motor is tilted up. Don't allow the outboard motor to strike against the pier or other boats.

## Engine Protection System <Engine Oil Pressure and Overheat Warning Systems>



### Oil Pressure Indicator

- When the green light is lit, oil pressure is OK.
- If oil pressure becomes low, the green light will go off, and the engine protection system will limit engine speed.
- Remote control types are also equipped with a buzzer that sounds when the green light goes off.  
The buzzer sound stops below an engine speed of 1,400 min<sup>-1</sup> (rpm).
- The engine speed does not increase if the throttle is opened widely.
- The engine speed increases gradually as soon as the cause of the warning is removed.



### Overheat Warning Indicator

- If the engine overheats, the engine protection system will limit engine speed (All types).
- Remote control types are also equipped with a warning light and a buzzer. Red light will come on and a buzzer sounds if the engine overheats.
- The engine speed does not increase if the throttle is opened widely.
- If the overheat condition continues for 20 seconds, the engine is stopped; if the normal temperature is restored within that time, the engine speed is gradually raised to the normal cruising speed.



# OPERATION

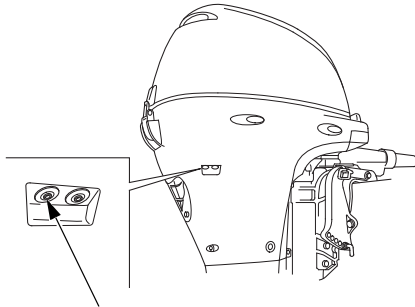
System Type	Low oil pressure			Overheat		
	Warning light	Buzzer sounds	Engine speed control	Warning light	Buzzer sounds	Engine speed control
H Type	o	×	o	×	×	o
R Type	o	o	o	o	o	o

System Symptom		Warning light		Buzzer	
		Oil pressure	Overheat (R type)	H type	R type
Normal		ON	OFF	X	—
Abnormal	Low oil pressure	OFF	OFF	X	Continuous beep* <sup>1</sup>
	Overheat	ON	ON	X	Continuous beep* <sup>1</sup>
	Low oil pressure & overheat	OFF	ON	X	Continuous beep* <sup>1</sup>

\*1: The buzzer sound stops below an engine speed of 1,400 min<sup>-1</sup> (rpm).

When the oil pressure warning system operated (green indicator light turned off):

- 1) Stop the engine immediately and check the engine oil level (see page 50).
- 2) If the oil is up to the recommended level, operate the outboard motor at low speed (within 30 seconds). The warning system is normal if it stops.
- 3) If the warning system is still operating, return to the pier at low speed and service the system.



**WATER CHECK HOLE**

When the overheat warning system operated (red indicator light turned on):

- 1) Return the shift lever to the N (neutral) position (idle speed) immediately, and check whether water is flowing out of the cooling water check hole.

### NOTICE

**Running the engine without water can cause serious engine damage due to overheating. Be sure that**

**water flows from the cooling water check hole while the engine is running. If not, stop the engine and determine the cause of the problem.**

- 2) If water is flowing, continue idling (within 30 seconds).  
The warning system is normal if it stops.
- 3) If the warning system is still operating, return to the pier at low speed and service the system.

### <Over-rev Limiter>

BF8D/BF9.9D/BF10D/BF15D/  
BF20D

outboard motor is equipped with the over-rev limiter which operates when the engine speed increases excessively for some reasons while cruising or when the propeller races while tilting up the outboard motor or changing the cruising course.

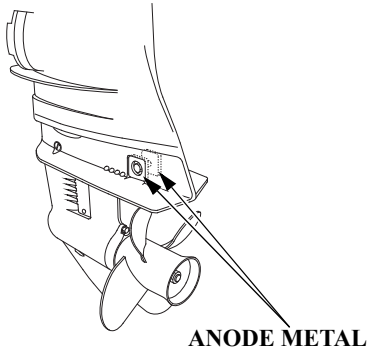
When the over-rev limiter operated:

- 1) Slow down the engine speed immediately and check the tilt angle.
- 2) If the tilt angle is proper but the engine speed is too high, stop the engine and check the outboard motor and propeller for installation condition and damage. Correct or service if necessary.

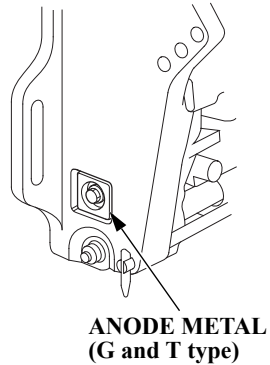
# OPERATION

---

## <Anodes>



The anodes are a sacrificial material which helps to protect the outboard motor from corrosion.



### NOTICE

**Painting or coating the anodes will lead to rust and corrosion damage to the outboard motor.**

## Cruising in Shallows

### NOTICE

**Excessive tilt angle during operation can cause the propeller to raise out of the water and cause propeller cavitation and engine over-revving. Excessive tilt angle can also damage the water pump and overheat the engine.**

When operating in shallow water, tilt the outboard motor up to prevent the propeller and gear case from hitting the bottom (refer to pages 85, 86, 87, 88 and 91). With the outboard motor tilted up, operate the outboard motor at low speed.

Monitor the cooling system indicator for water discharge. Be sure that the outboard motor is not tilted so high that the water intakes are out of the water.

If an excessive amount of throttle is used when operating in forward gear, the outboard motor will return to the transom angle adjusting rod. (G type)

## High Altitude Operation

At high altitude, the standard carburetor fuel/air mixture will be excessively rich. Performance will decrease, and fuel consumption will increase.

High altitude performance can be improved by specific modifications to the carburetor. If you always operate the outboard motor at altitudes higher than 1,500 m (5,000 feet) above sea level, have your authorized dealer perform these carburetor modifications.

Even with suitable carburetor jetting, engine horsepower will decrease approximately 3.5% for each 300 m (1,000 foot) increase in altitude. The effect of altitude on the horsepower will be greater than this if no carburetor modification is made.

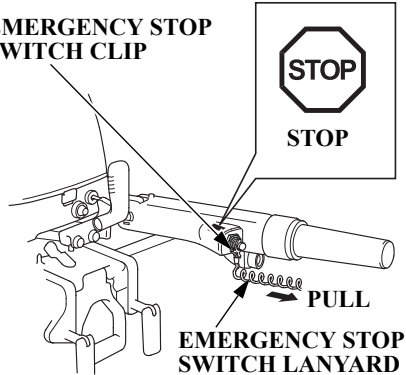
### CAUTION

**Operation of the outboard motor at an altitude lower than the carburetor is jetted for may result in reduced performance, overheating, and serious engine damage caused by an excessively lean air/fuel mixture.**

## 9. STOPPING THE ENGINE (H type)

### Stopping the Engine

EMERGENCY STOP SWITCH CLIP

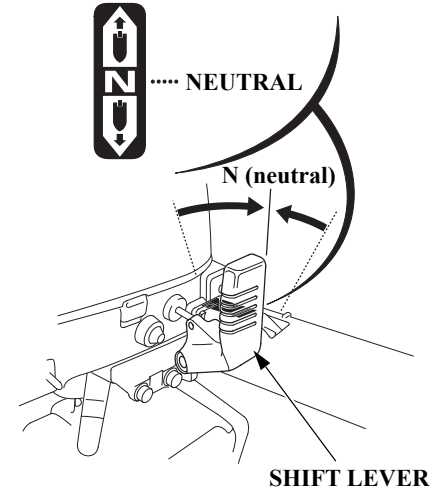
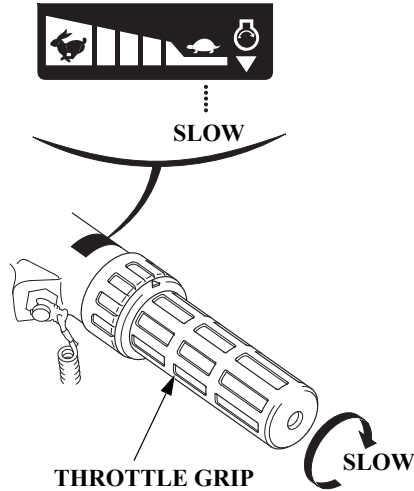


- **In an emergency;**

Disengage the emergency stop switch clip from the engine stop switch by pulling the emergency stop switch lanyard.

**NOTE:**

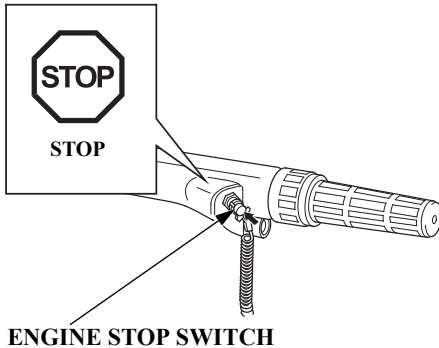
It is a good idea to stop the engine with the emergency stop switch lanyard from time to time to be sure that the emergency stop switch is operating properly.



- **In normal use;**

1. Turn the throttle grip to SLOW position and move the shift lever to N (neutral).

## STOPPING THE ENGINE (H type)



2. Press the engine stop switch until the engine stops.

### NOTE:

After sailing with the throttle fully open, cool down the engine by running it at the idle speed for a few minutes.

### NOTICE

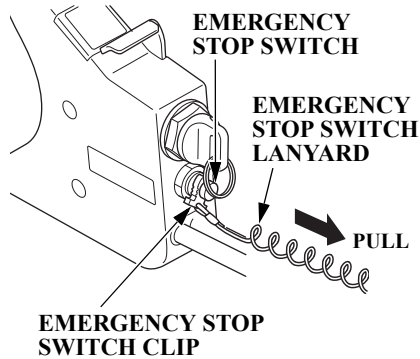
**In the event that the engine does not stop when you press the switch, and pull the emergency stop switch lanyard, pull the choke knob to stop the engine.**

**If the engine does not stop by pulling the choke knob, disconnect the fuel line connector (Equipped type).**

3. Remove the emergency stop switch lanyard and store it.  
If you are using a portable fuel tank, disconnect the fuel line if you will be storing or transporting the outboard motor.

# STOPPING THE ENGINE (R type)

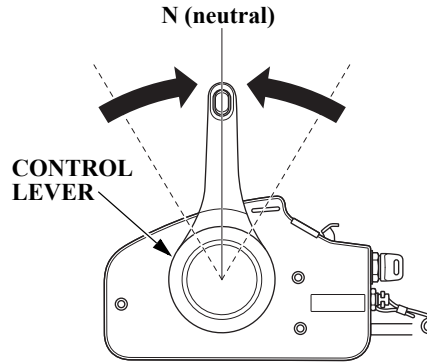
## Stopping the Engine



- **In an emergency;**  
Disengage the emergency stop switch clip from the emergency stop switch by pulling the emergency stop switch lanyard.

### NOTE:

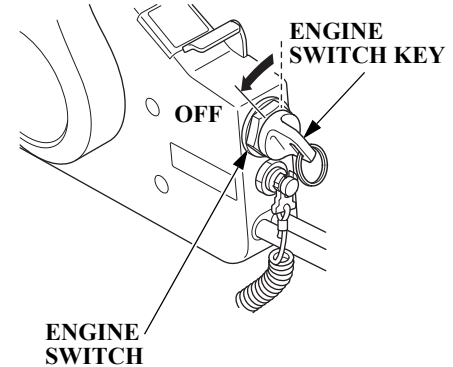
It is a good idea to stop the engine with the emergency stop switch lanyard from time to time to be sure that the emergency stop switch is operating properly.



- **In normal use;**  
1. Move the control lever to the N (neutral) position and turn the engine switch to the OFF (stop) position.

### NOTICE

In the event that the engine does not stop when the engine switch is turned OFF, disconnect the fuel line connector and move the fast idle lever to the upmost position.



### NOTE:

After sailing with the throttle fully open, cool down the engine by running it at the idle speed for a few minutes.

- 2. Remove the engine switch key and store it.

If you are using a portable fuel tank, disconnect the fuel line if you will be storing or transporting the outboard motor.

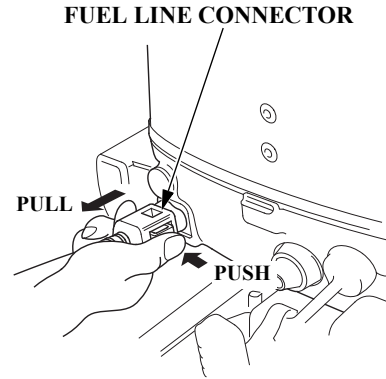
## 10. TRANSPORTING

Before transporting the outboard motor, disconnect and remove the fuel line in the following procedure.

### **▲WARNING**

- Be careful not to spill fuel. Spilled fuel or fuel vapor may ignite. If any fuel is spilled, make sure the area is dry before storing or transporting the outboard motor.
- Do not smoke or allow flames or sparks where fuel is drained or stored.

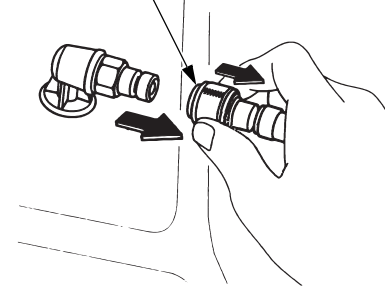
### Fuel Line Removal



1. While pressing the fuel line connector clip, pull the fuel line connector and disconnect it from the outboard motor side joint.

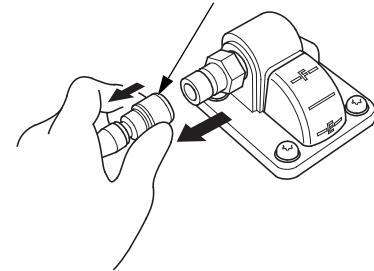
[Except SHL, LHL and LH3 types]

### FUEL LINE CONNECTOR



[SHL, LHL and LH3 types]

### FUEL LINE CONNECTOR

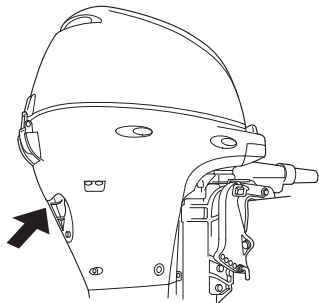


2. While pulling the fuel line connector cover, pull the fuel line connector to disconnect the fuel line connector from the fuel tank.



# TRANSPORTING

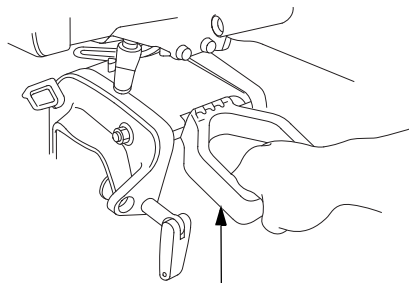
## Transporting



Carry the outboard motor with more than one person. To carry, hold the outboard motor by the carrying handle, or hold by the carrying handle and the lug beneath the engine cover latch as shown here. Do not carry by the engine cover.

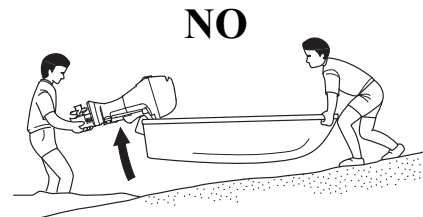
### ⚠ CAUTION

- **Do not carry the outboard motor by the engine cover. The engine cover can be unlatched and outboard motor can drop, resulting in an accidental injury and damage.**



CARRYING HANDLE

- **Do not carry the outboard motor by the carrying handle more than five minutes. Prolonged carrying of the outboard motor by the handle can cause the engine oil leak in the cylinders, make the engine hard starting or smoke when started.**

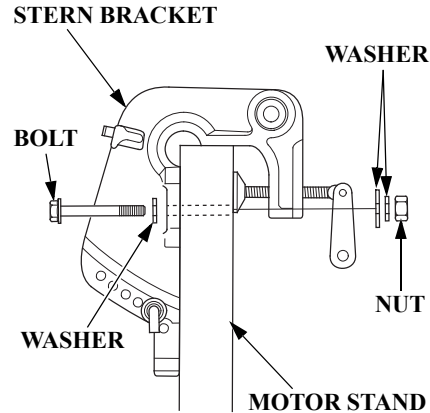


### NOTICE

**To avoid damaging the outboard motor, never use it as a handle for lifting or moving the boat.**

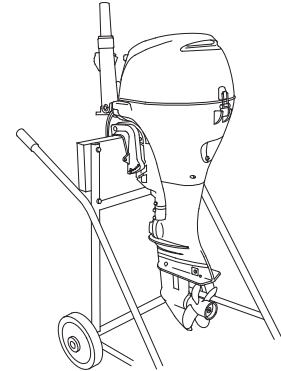
# TRANSPORTING

Transport the outboard motor either vertically or horizontally as follows with the steering handle raised.



1. Attach the stern brackets to a motor stand and mount the outboard motor to the brackets.

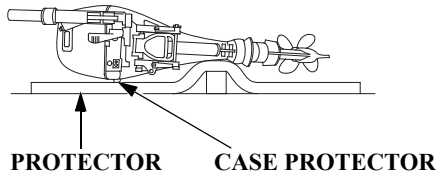
## Vertical transport



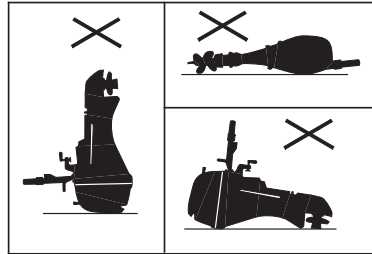
2. Transport the outboard motor with the tiller handle raised.

# TRANSPORTING

## Horizontal transport



## INCORRECT



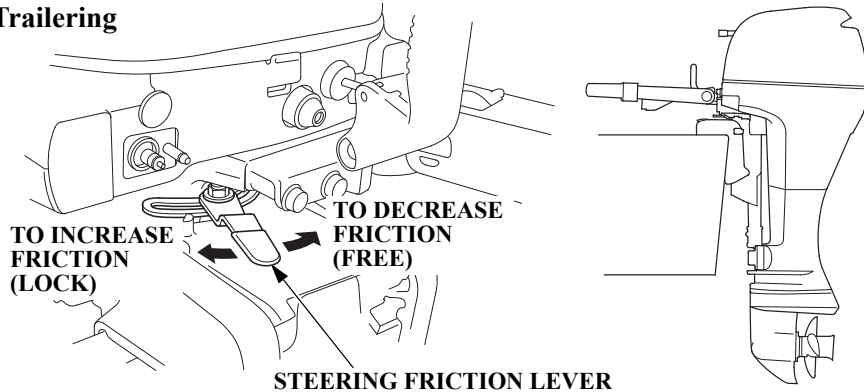
Rest the outboard motor on the case protector. (Tiller handle upside)

Always rest the outboard motor on a protector and be sure to protect it from impact and damage.

### NOTICE

**Any other transport or storage position may cause damage or oil leakage.**

## Trailer



When trailering or transporting the boat with the outboard motor attached always disconnect the fuel line from the portable fuel tank and move the steering friction lever locked position.

### NOTICE

**Do not trailer or transport the boat with the outboard motor in the tilted position. The boat or outboard motor could be severely damaged if the outboard motor drops.**

The outboard motor should be trailed in the normal running position. If there is insufficient road clearance in this position, then trailer the outboard motor in the tilted position using a motor support device such as a transom saver bar, or remove the outboard motor from the boat. Tilt lever should be in the tilted position.

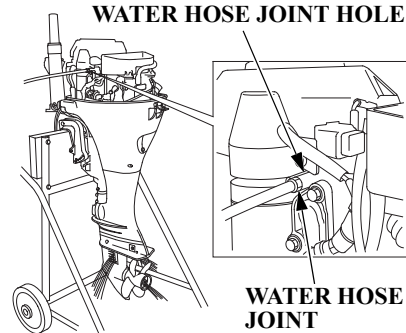
## 11. CLEANING AND FLUSHING

After each use in salt water or dirty water, thoroughly clean and flush the outboard motor with fresh water.

### ▲WARNING

- Be sure the outboard motor is securely mounted, and do not leave it unattended while running.
- Keep children and pets away from the area, and stay clear of moving parts during this procedure.

### With Water Hose Joint (Optional part)



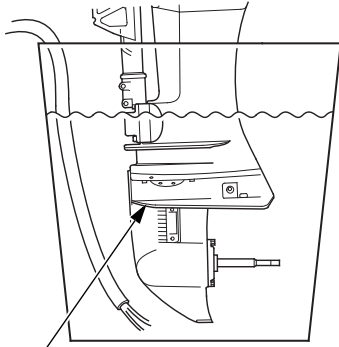
1. Disconnect the fuel line from the outboard motor.
2. Tilt down the outboard motor.
3. Wash the outside of the outboard motor with clean, fresh water.
4. Remove the engine cover.
5. Insert the water hose joint into the plug hole and connect the hose from a fresh water faucet to the hose joint.
6. Turn on the fresh water supply, and verify that there is good water pressure at the outboard motor.

### NOTICE

**Be sure that the water is flowing out of the drain port.**

7. Flush the engine with fresh water for at least 10 minutes.
8. After flushing, remove the water hose joint, reinstall the engine cover.
9. Tilt up the outboard motor and move the tilt lever to the LOCK position.

## Without Water Hose Joint



ANTICAVITATION PLATE

When the water hose joint is not used, stand the outboard in a suitable container of fresh water.

### ▲WARNING

**For safety, the propeller must be removed.**

### NOTICE

**Running the engine without water can cause serious engine damage due to overheating. Be sure that water flows from the cooling water check hole while the engine is**

**running. If not, stop the engine and determine the cause of the problem.**

1. Tilt down the outboard motor.
2. Wash the outside of the outboard motor with clean, fresh water.
3. Remove the propeller (see page 128).
4. Stand the outboard motor in a suitable container of water. The water level must be at least 100 mm (4 in) above the anticavitation plate.
5. Move the shift lever or control lever to the N (neutral) position.
6. Turn on the fresh water supply to the hose.
7. Start the engine and run in neutral for at least 5 minutes to clean inside of the engine.
8. After flushing, stop the engine, and disconnect the fuel line from the outboard motor. Remove the water container, and reinstall the propeller.
9. Tilt up the outboard motor and move the tilt lever to the LOCK position.

## 12. MAINTENANCE

---

Periodic maintenance and adjustment are important to keep the outboard motor in the best operating condition. Service and inspect according to the MAINTENANCE SCHEDULE.

### **▲WARNING**

**Shut off the engine before performing any maintenance. If the engine must be run, make sure the area is well ventilated. Never run the engine in an enclosed or confined area. Exhaust contains poisonous carbon monoxide gas; exposure can cause loss of consciousness and may lead to death.**

**Be sure to reinstall the engine cover, if it was removed, before starting the engine. Lock it securely by lowering the engine cover latch.**

### **NOTICE**

- **If the engine must be run, make sure there is water at least 100 mm (4 in) above the anticavitation plate, otherwise the water pump may not receive sufficient cooling water, and the engine will overheat.**
- **Use only Honda Genuine parts or their equivalents for maintenance or repair. The use of replacement parts which are not of equivalent quality may damage the outboard motor.**

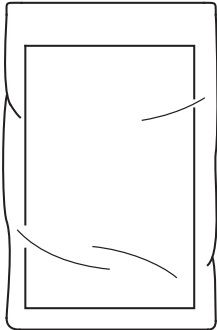
## Tool Kit and Spare Parts

The following tools and spare parts are supplied with the outboard motor for maintenance, adjustment, and emergency repairs.

### <Spare Emergency Stop Switch Clip (optional equipment)>

A spare emergency stop switch clip is available from your outboard motor dealer.

Always carry a spare emergency stop switch clip onboard. The spare clip may either be stored in the tool bag or in an easily accessible location on the boat.



OWNER'S MANUAL



FLAT SCREWDRIVER



GRIP



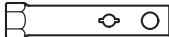
4 mm HEX. WRENCH



HANDLE



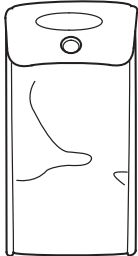
STARTER ROPE



SPARK PLUG WRENCH



10 mm SOCKET WRENCH



TOOL BAG



# MAINTENANCE

## MAINTENANCE SCHEDULE

REGULAR SERVICE PERIOD (3) Perform at every indicated month or operating hour interval, whichever comes first.			Each use	After use	First month or 20 hrs.	Every 6 months or 100 hrs.	Every year or 200 hrs.	Every 2 years or 400 hrs.
ITEM								
*	Engine oil	Check level	o					
		Change			o	o		
	Engine oil filter	Replace					o (2)	
	Gear case oil	Change			o	o		
	Timing belt	Check					o (2)	
	Starter rope	Check				o		
*	Carburetor linkage	Check-adjust			o (2)	o (2)		
*	Valve clearance	Check-adjust					o (2)	
*	Spark plugs	Check-adjust/Replace				o		
	Propeller and cotter pin	Check	o					
	Anode (Outside engine)	Check	o					
	Anode (Inside engine)	Check						o (2) (6)
	Idling speed	Check-adjust			o (2)	o (2)		
	Lubrication	Grease			o (1)	o (1)		
*	Fuel tank and tank filter	Clean					o	
*	Thermostat	Check					o (2)	
*	Fuel filter	Check				o		
		Replace					o	

\* Emission item for Bodensee model.

### NOTE:

- (1) Lubricate more frequently when used in salt water.
- (2) These items should be serviced by your servicing dealer, unless you have the proper tools and are mechanically proficient. Refer to the Honda Shop Manual for service procedures.
- (3) For professional commercial use, log hours of operation to determine proper maintenance intervals.
- (6) Replace the anodes when they have been reduced to about two-thirds of their original size, or if they are crumbling.

# MAINTENANCE

REGULAR SERVICE PERIOD (3) Perform at every indicated month or operating hour interval, whichever comes first.			Each use	After use	First month or 20 hrs.	Every 6 months or 100 hrs.	Every year or 200 hrs.	Every 2 years or 400 hrs.
ITEM								
*	Fuel line	Check	o (8)					
		Replace	Every 2 years (If necessary) (2) (9)					
	Battery and cable connection	Check level-tightness	o					
	Bolts and Nuts	Check-tightness			o (2)	o (2)		
*	Crankcase breather tube	Check					o (2)	
	Cooling water passages	Clean		o (4)				
	Water pump	Check					o (2)	
	Emergency stop switch	Check	o					
	Engine oil leak	Check	o					
	Each operation part	Check	o					
	Engine condition (5)	Check	o					
	Power Trim/Tilt	Check				o (2)		
	Shift cable	Check-adjust				o (2) (7)		

\* Emission item for Bodensee model.

**NOTE:**

- (2) These items should be serviced by your servicing dealer, unless you have the proper tools and are mechanically proficient. Refer to the Honda Shop Manual for service procedures.
- (3) For professional commercial use, log hours of operation to determine proper maintenance intervals.
- (4) When operating in salt water, turbid or muddy water, the engine should be flushed with clean water after each use.
- (5) Upon starting, check for unusual engine sounds and cooling water flowing freely from the check hole.
- (7) The user who performs shift operation frequently will recommend you exchange of a shift cable around three years.
- (8) Check the fuel line for leaks, cracks, or damage. If it is leaking, cracked, or damaged, take it to your servicing dealer for replacement before using your outboard.
- (9) Replace the fuel line if there are signs of leaks, cracks, or damage.

# MAINTENANCE

## Engine Oil Change

Insufficient or contaminated engine oil adversely affects the service life of the sliding and moving parts.

Wash your hands with soap and water after handling used oil.

## Oil change interval:

20 operating hours after the date of purchase or first month for initial replacement, then every 100 operating hours or 6 months.

## Oil capacity:

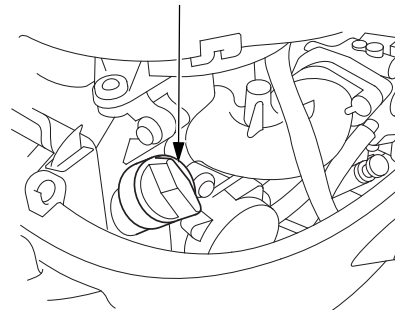
1.0 L (1.1 US qt, 0.9 Imp qt)  
...when oil filter is not replaced.

1.1 L (1.2 US qt, 1.0 Imp qt)  
...when oil filter is replaced.

SAE 10W-30 engine oil or equivalent, API Service category SG, SH or SJ.

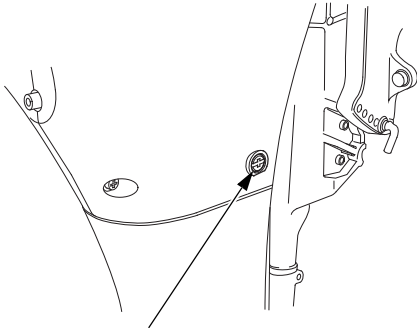
## <Engine Oil Replacement>

### OIL FILLER CAP



Drain the oil while the engine is still warm to assure rapid and complete draining.

1. Position the outboard motor vertically, and remove the engine cover. Remove the oil filler cap.



**ENGINE OIL DRAIN SCREW**

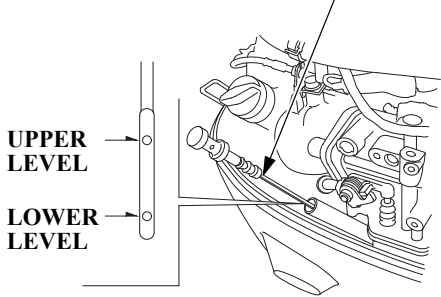
2. Remove the engine oil drain screw and drain the engine oil.

Reinstall the drain screw and tighten it securely.

**OIL DRAIN SCREW TORQUE:**

6 N·m (0.6 kgf·m, 4.4 lbf·ft)

**OIL LEVEL DIPSTICK**



3. Refill to the upper level mark on the oil level dipstick with the recommended oil.

4. Reinstall the oil filler cap securely.

**NOTE:**  
Please dispose of used outboard motor oil in a manner that is compatible with the environment. We suggest you take it in a sealed container to your local service station for reclamation. Do not throw it in the trash or pour it on the ground.

# MAINTENANCE

## Gear Oil Check/Change

Oil check/change interval

### Oil check:

Every 6 months or 100 operating hours

### Oil change interval:

20 operating hours or first month after initial use for initial change, then every 6 months or 100 operating hours.

### Oil capacity:

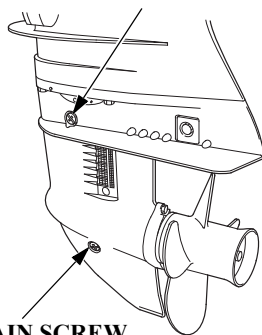
0.29 L (0.31 US qt, 0.26 Imp qt)

### Recommended Oil:

SAE #90 Hypoid gear oil or equivalent, API Service Classification (GL-4)

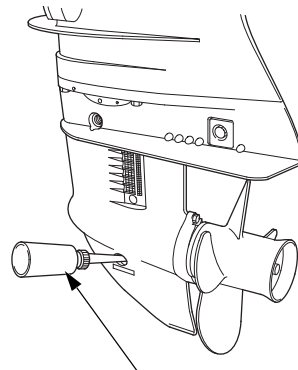
## <Oil Level Check/Refilling>

LEVEL SCREW



DRAIN SCREW

1. Position the outboard motor vertically.
2. Remove the level screw and see if oil flows out.  
If no oil comes out, fill oil through the drain screw hole until the oil starts to flow out through the level screw hole.  
If there is water in the oil, the water will flow out first when the drain screw is removed, or the oil will be a milky color. Consult with an authorized Honda outboard motor dealer.



GEAR OIL BOTTLE

### NOTE:

We recommend that you use the optional gear oil bottle to fill the gear oil easily.

3. Install and tighten the drain screw and level screw securely.

### OIL LEVEL SCREW TORQUE:

6.5 N·m (0.7 kgf·m, 4.8 lbf·ft)

### OIL DRAIN SCREW TORQUE:

6.5 N·m (0.7 kgf·m, 4.8 lbf·ft)

## <Oil Change>

Replacement procedure is the same as that of the refilling.

Remove the level screw and drain screw to drain the oil. Inject oil through the drain screw hole until it starts flowing out through the level screw hole. Reinstall and tighten the level screw first and then the drain screw securely.

## Spark Plug Service

To ensure proper engine operation, the spark plug must be properly gapped and free of deposits.

### ▲ CAUTION

**The spark plug becomes very hot during operation and will remain hot to awhile after stopping the engine.**

### Check-Adjust interval:

Every 100 operating hours or 6 months.

### Replace interval:

Every 100 operating hours or 6 months.

Recommended spark plug:

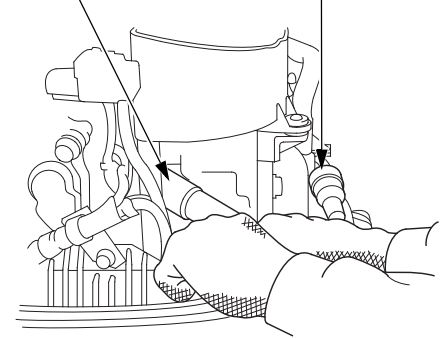
CR5EH-9 (NGK)

U16FER9 (DENSO)

### NOTICE

**Use only the recommended spark plugs or equivalent. Spark plugs which have an improper heat range may cause engine damage.**

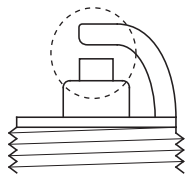
## SPARK PLUG WRENCH      SPARK PLUG CAP



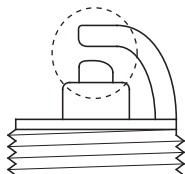
1. Remove the engine cover.
2. Remove the spark plug caps.
3. Use the wrench and handle to remove the spark plugs.

# MAINTENANCE

**New plug**



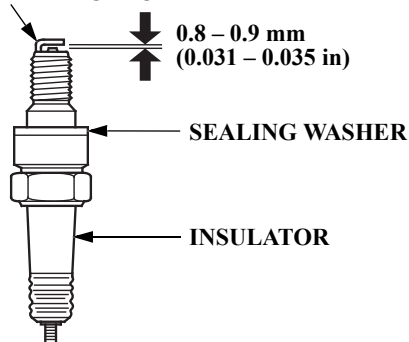
**Plug needing replacement**



## 4. Inspect the spark plugs.

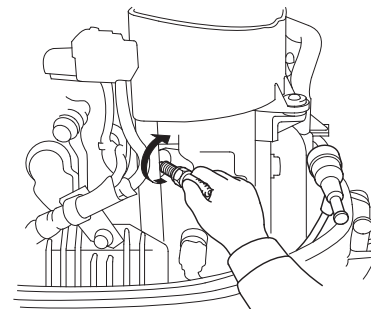
- (1) If the electrodes are heavily corroded or carbon-soiled, clean with a wire brush.
- (2) Replace a spark plug if the central electrode is worn. The spark plug can wear out in different ways.  
If the sealing washer shows signs of wear, or if the insulators are cracked or chipped, replace the spark plugs.

## SIDE ELECTRODE



## 5. Measure the plug gaps with a feeler gauge.

The gaps should be 0.8 – 0.9 mm (0.031– 0.035 in). Correct as necessary by carefully bending the side electrode.



6. Check that the spark plug washers are in good condition, and thread the plugs in by hand to prevent cross threading.
7. After the spark plugs are seated, tighten with a spark plug wrench and handle to compress the washers.

## SPARK PLUG TORQUE:

12 N·m (1.2 kgf·m, 9 lbf·ft)

**NOTE:**

If installing new spark plugs, tighten 1/2 turn after the spark plugs seat to compress the washers.

If reinstalling used spark plugs, tighten 1/8 – 1/4 turn after the spark plugs seat to compress the washers.

**NOTICE**

**The spark plugs must be securely tightened. An improperly tightened plug can become very hot and may cause engine damage.**

- 8. Reinstall the spark plug caps.
- 9. Reinstall the engine cover.

## Battery Service

**NOTICE**

**Battery handling differs according to the type of the battery and the instructions described below might not be applicable to the battery of your outboard. Refer to the battery manufacturer’s instructions.**

Check that the battery cables are connected securely.  
If the battery terminals are contaminated or corroded, remove the battery and clean the terminals.

**Battery check interval:**  
Before each use.

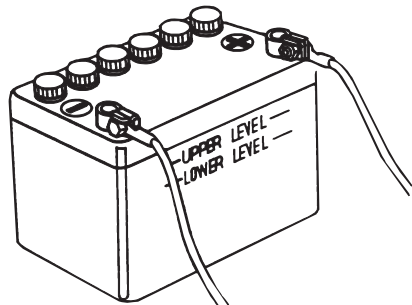
**▲WARNING**

**Batteries produce explosive gases: If ignited, an explosion can cause serious injury or blindness. Provide adequate ventilation when charging.**

- **CHEMICAL HAZARD:** Battery electrolyte contains sulfuric acid. Contact with eyes or skin, even through clothing, may cause severe burns. Wear a faceshield and protective clothing.
- **Keep flames and sparks away, and do not smoke in the area.**  
**ANTIDOTE:** If electrolyte gets into your eyes, flush thoroughly with warm water for at least 15 minutes and call a physician immediately.
- **POISON:** Electrolyte is poison.  
**ANTIDOTE**
  - **External:** Flush thoroughly with water.
  - **Internal:** Drink large quantities of water or milk. Follow with milk of magnesia or vegetable oil, and call a physician immediately.
- **KEEP OUT OF REACH OF CHILDREN.**



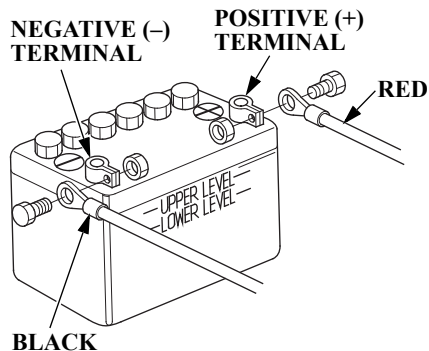
# MAINTENANCE



## Installation check:

Check that the cables are connected to the battery terminals securely. Tighten the terminals if they are loose.

## <Battery Cleaning>



1. Disconnect the battery cable at the battery negative (-) terminal, then at the battery positive (+) terminal.
2. Remove the battery and clean the battery terminals and battery cable terminals with a wire brush or sand paper.

Clean the battery with a solution of baking soda and warm water, taking care not to get the solution or water in the battery cells. Dry the battery thoroughly.

3. Connect the battery positive (+) cable to the battery positive (+) terminal, then the battery negative (-) cable to the battery negative (-) terminal. Tighten the bolts and nuts securely. Coat the battery terminals with grease.

## CAUTION

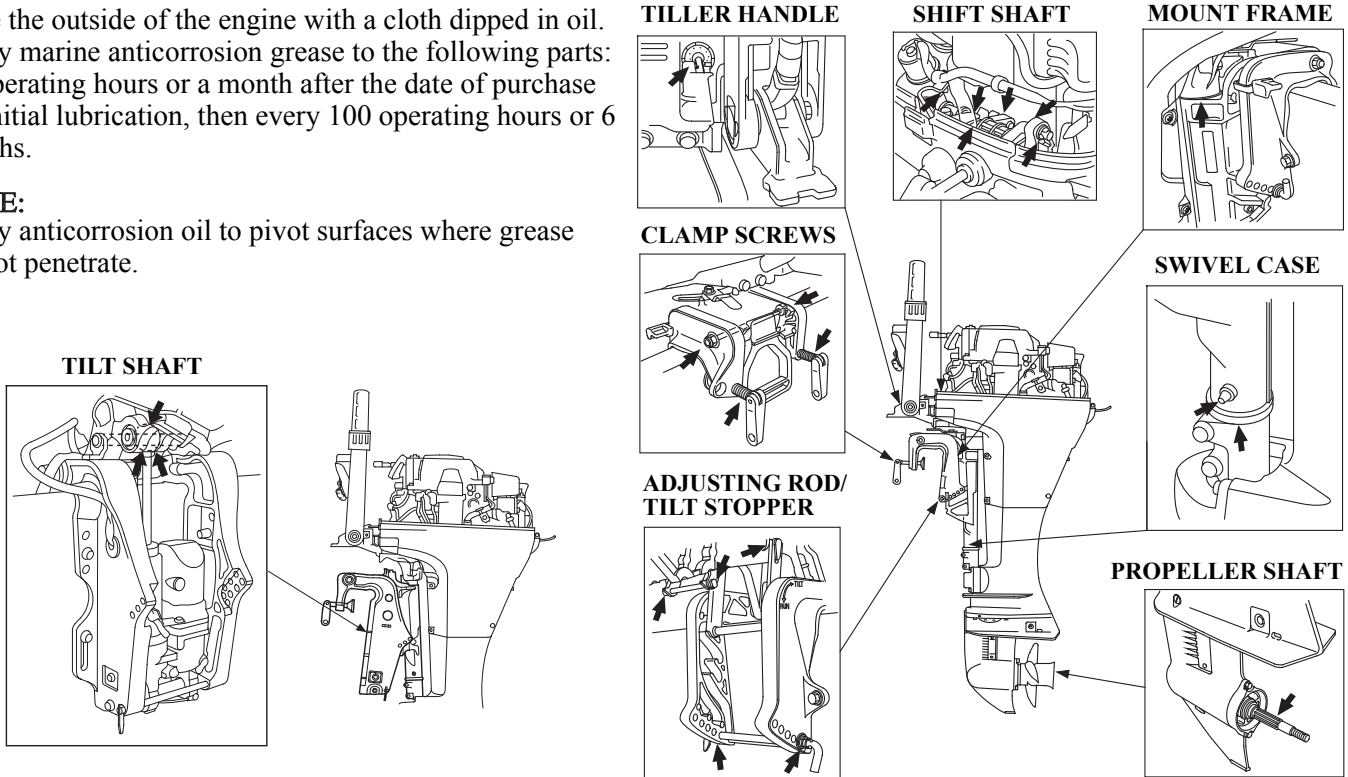
When disconnecting the battery cable, be sure to disconnect at the battery negative (-) terminal first. To connect, connect at the positive (+) terminal first, then at the negative (-) terminal. Never dis/connect the battery cable in the reverse order, or it causes a short circuit when a tool contacts the terminals.

## Lubrication

Wipe the outside of the engine with a cloth dipped in oil. Apply marine anticorrosion grease to the following parts: 20 operating hours or a month after the date of purchase for initial lubrication, then every 100 operating hours or 6 months.

### NOTE:

Apply anticorrosion oil to pivot surfaces where grease cannot penetrate.



# MAINTENANCE

## Fuel Filter Check/Replacement

The fuel filter is located between the fuel coupling and the fuel pump. Water or sediment accumulated in the fuel filter can cause loss of power or hard starting. Check and replace the fuel strainer periodically. Inspection interval: Every 100 operating hours or 6 months.

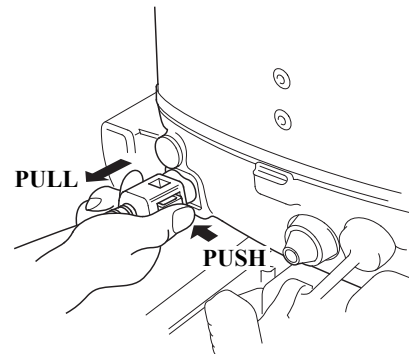
### Replacement interval:

Every 200 operating hours or every year.

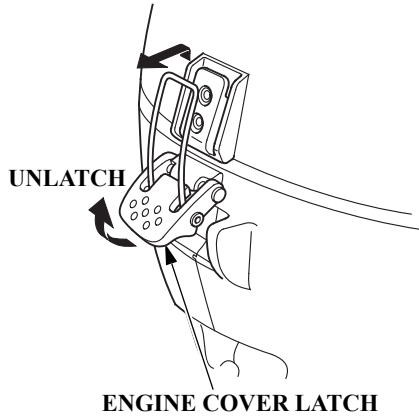
### **▲WARNING**

- **Gasoline is extremely flammable and explosive under certain conditions. Do not smoke or allow flames or sparks near the outboard motor while draining fuel.**
- **Always work in a well-ventilated area.**
- **Be sure that any fuel drained from the outboard motor is stored in a safe container.**
- **Be careful not to spill fuel when replacing the filter. Spilled fuel or fuel vapor may ignite. If any fuel is spilled, make sure the area is dry before starting the engine.**

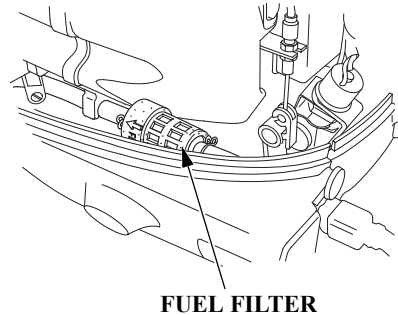
### <Inspection>



1. Disconnect the fuel line connector from the outboard motor.

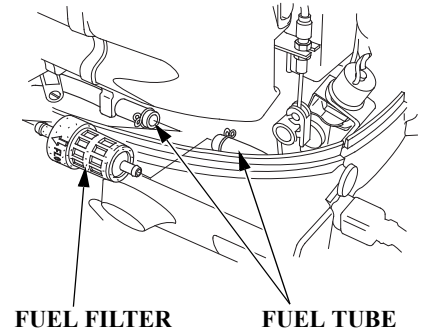


2. Unlatch the engine cover latch and remove the engine cover.



3. Check the fuel filter for water accumulation and clogging.

## <Replacement>

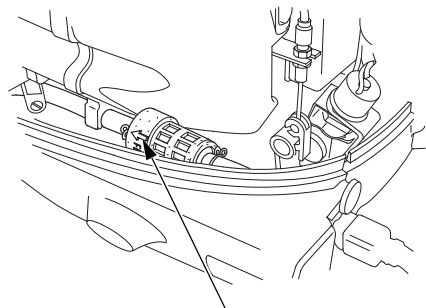


1. Remove the fuel filter, disconnect the right and left fuel lines, and replace with a new fuel filter.

### NOTE:

Before removing the filter, place clamps on the fuel lines on each side of the filter to prevent fuel leakage.

# MAINTENANCE



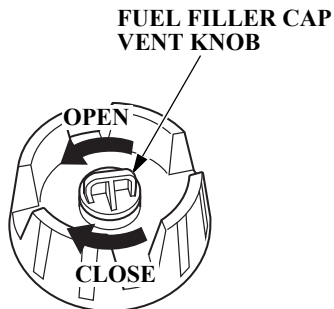
**ARROW**  
(Fuel Flow Direction)

2. Install the new fuel filter so that the arrow mark on the fuel filter is toward the fuel pump side.

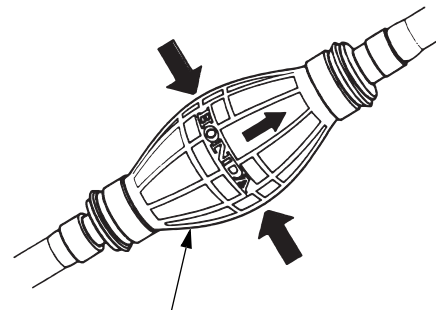
**NOTE:**

Fuel flow will be impeded if the filter is installed backward.

3. Connect the fuel lines to the fuel filter securely with the line clips.



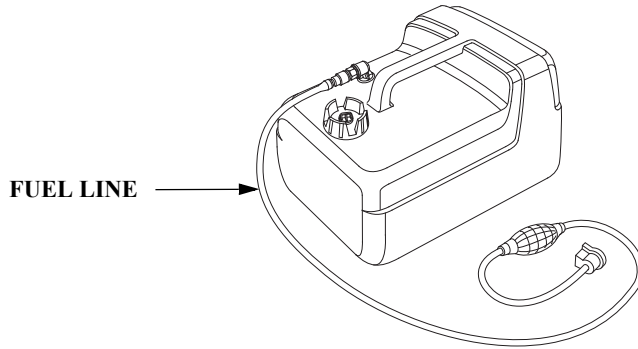
4. Turn the vent knob to OPEN side, squeeze and release the priming bulb to feed the fuel, and check for leaks.



**NOTE:**

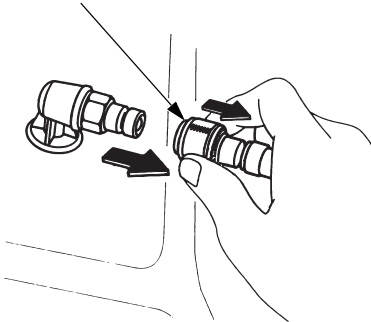
If loss of power or hard starting is found caused by excessive water or sediment accumulated in the fuel filter, inspect the fuel tank. Clean the fuel tank if necessary.

## Fuel Tank and Tank Filter Cleaning



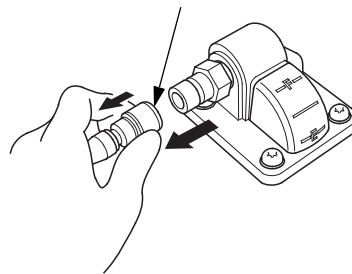
[Except SHL, LHL and LH3 types]

FUEL LINE CONNECTOR



[SHL, LHL and LH3 types]

FUEL LINE CONNECTOR



Clean the fuel tank and tank filter every year or after every 200 hours of outboard motor operation.

### <Fuel Tank Cleaning>

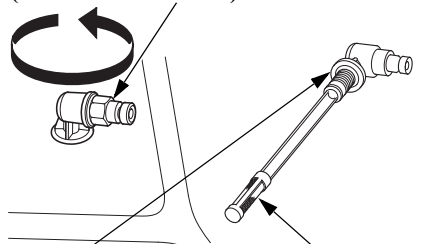
1. Disconnect the fuel line from fuel tank.
2. Empty the tank, pour in a small quantity of gasoline, and clean the tank thoroughly by shaking it. Drain and dispose of the gasoline properly.

# MAINTENANCE

## <Tank Filter Cleaning>

[Except SHL, LHL and LH3 types]

**FUEL TANK FILTER JOINT  
(Fuel Line Connector)**



**CONNECTOR  
GASKET**

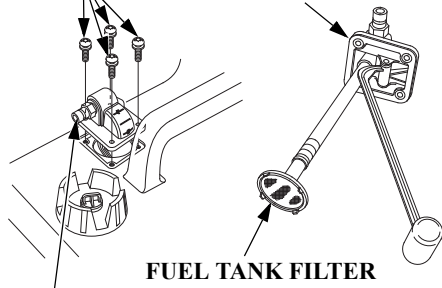
**FUEL TANK FILTER**

1. Turn the fuel tank filter joint counterclockwise and remove the fuel tank filter.
2. Clean the fuel tank filter in non-flammable solvent. Inspect the fuel tank filter and the connector gasket. Replace them if damaged.
3. After cleaning, reinstall the fuel tank filter and fuel tank filter joint securely.

[SHL, LHL and LH3 types]

**5 mm SCREWS**

**CONNECTOR  
GASKET**



**FUEL TANK FILTER**

**FUEL TANK FILTER JOINT  
(Fuel Line Connector)**

1. Remove the four 5 mm screws using a flat screwdriver, then remove the fuel line connector and fuel tank filter from the tank.
2. Clean the filter in nonflammable solvent. Inspect the fuel tank filter and the connector gasket. Replace them if damaged.
3. Reinstall the filter and line connector in the fuel tank. Tighten the four 5 mm screws securely.

## EMISSION CONTROL SYSTEM (For Bodensee-Lake type)

The combustion process produces carbon monoxide and hydrocarbons. Control of hydrocarbons is very important because under certain conditions, they react to form photochemical smog when subjected to sunlight. Carbon monoxide does not react in the same way, but it is toxic. Honda Motor Co., Ltd. utilizes lean carburetor settings and other system to reduce carbon monoxide and hydrocarbons.

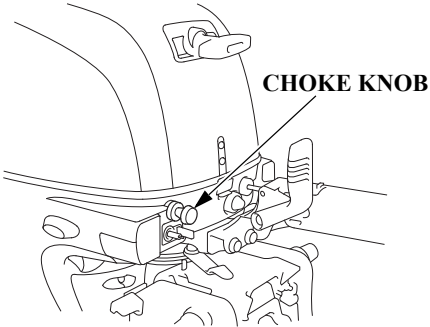
Problems that May Affect Outboard Motor Emissions

If you are aware of any of the following symptoms, have the outboard motor inspected and repaired by your authorized dealer:

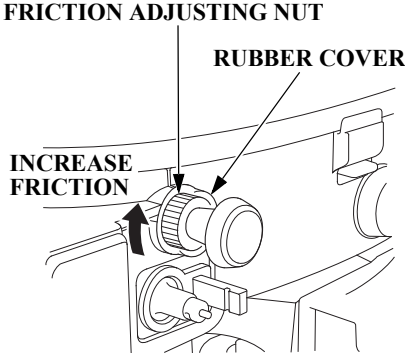
1. Rough idle
2. Hard starting or stalling after starting
3. Misfiring or backfiring during acceleration

4. Poor performance (driveability) and poor fuel economy

### Choke Knob Friction (Manual choke type)



If the choke knob returns to the OFF position by itself, you can adjust the friction that holds the knob in the ON position.

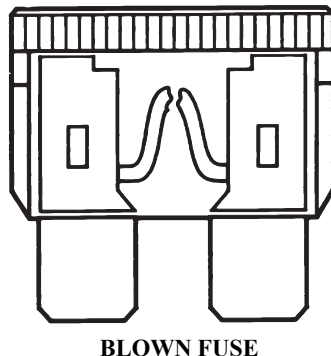
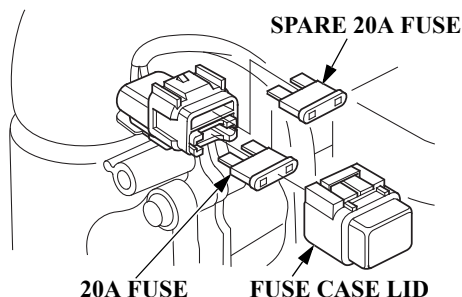


To adjust the friction, squeeze the rubber cover to grip the adjusting nut and turn it clockwise to increase the friction. Do not force the adjusting nut. If it is too hard to turn by hand, contact an authorized outboard motor dealer for assistance.



# MAINTENANCE

## Replacing the Fuse (Electric starter type and 6A charge coil type)



If the fuse blows, running the engine will not charge the battery. Before replacing the fuse, check the current ratings of the electrical accessories and ensure that there are no abnormalities.

### <How to replace the fuse>

1. Stop the engine.
2. Remove the engine cover.
3. Remove the fuse case lid and pull the blown fuse out of the clip with your finger.
4. Push a new fuse into the clips.

<Designated fuse> 20A

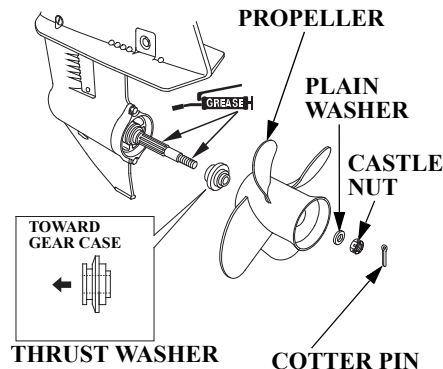
### ▲WARNING

**Never use a fuse with a different rating from that specified. Serious damage to the electrical system or a fire may result.**

### NOTICE

**If the fuse is blown, check the cause, then replace the fuse with a spare fuse of the same rated capacity. Unless the cause is found, the fuse may blow again.**

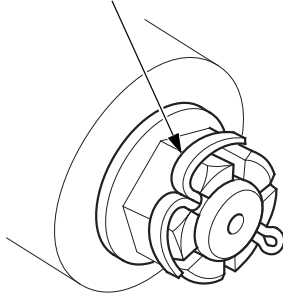
## Propeller Change



If the propeller is damaged by striking a rock, or other obstacle, replace the propeller as follows.

1. Remove the cotter pin then remove the 10 mm castle nut, 10 mm plain washer, propeller and thrust washer.

COTTER PIN



2. Install the new propeller in the reverse sequence to removal. Be sure to replace the coter pin with a new one.

## CASTLE NUT

### TIGHTENING TORQUE:

4.0 N·m (0.4 kgf·m, 2.9 lbf·ft)

### UPPER LIMIT OF TORQUE:

17 N·m (1.7 kgf·m, 12 lbf·ft)

## NOTE:

- Install the thrust washer with the grooved side toward the gear case.
- Tighten the castle nut with your hand first until the propeller has no play. Then, tighten the castle nut

again with a tool until the groove in the castle nut aligns with the coter pin hole. (Note that this tool is not included in the tools that come together with the outboard motor.)

- Use a genuine Honda coter pin and bend the pin ends as shown.

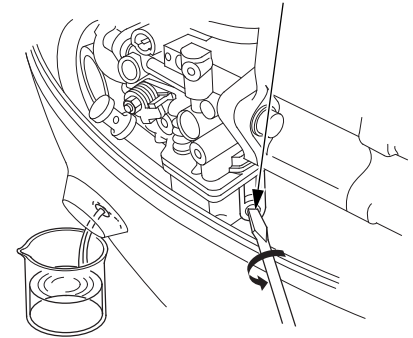
## Servicing a Submerged Outboard Motor

A submerged outboard motor must be serviced immediately after it is recovered from the water in order to minimize corrosion.

If there is a Honda outboard motor dealership nearby, take the outboard motor immediately to the dealer. If you are far from a dealership, proceed as follows:

1. Remove the engine cover, and rinse the outboard motor with fresh water to remove salt water, sand, mud, etc.
2. Loosen the carburetor drain screw, drain the contents of the carburetor

CARBURETOR DRAIN SCREW

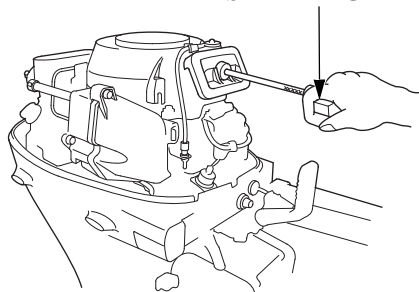


into a suitable container, then retighten the carburetor drain screw (see page 133).

3. Remove the spark plugs. Disengage the emergency stop switch clip from the engine stop switch and pull the recoil starter grip several times to completely expel water from the cylinders.

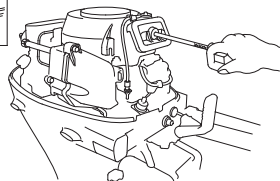
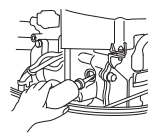
# MAINTENANCE

STARTER GRIP



## NOTICE

- **When cranking the engine with an open ignition circuit (spark plugs removed from the ignition circuit), disengage the emergency stop switch clip to prevent electrical damage to the ignition system.**
- **If the outboard motor was running when it submerged, there may be mechanical damage, such as bent connecting rods. If the engine binds when cranked, do not attempt to run the outboard motor until it has been repaired.**



4. Change the engine oil (see page 114). If there was water in the engine crankcase, or if the used engine oil showed signs of water contamination, then a second engine oil change should be performed after running the engine for 1/2 hour.
5. Pour a teaspoon of engine oil into each spark plug hole, then pull the recoil starter grip several times to lubricate the inside of the cylinders. Reinstall the spark plugs.

6. Attempt to start the engine.

## ▲WARNING

**Exposed moving parts can cause injury. Use extreme care when installing the engine cover. Do not operate the outboard motor without the engine cover.**

- If the engine fails to start, remove the spark plugs, clean and dry the electrodes, then reinstall the spark plugs and attempt to start the engine again.
  - If the engine starts, and no mechanical damage is evident, continue to run the engine for 1/2 hour or longer (be sure the water level is at least 100 mm (4 in) above the anticavitation plate).
7. As soon as possible, take the outboard motor to a outboard motor dealer for inspection and service.

For longer service life of the outboard motor, have your outboard motor serviced by an authorized outboard motor dealer before storage.

However, the following procedures can be performed by you, the owner, with a minimum of tools.

### **Fuel**

#### **NOTE:**

Gasoline spoils very quickly depending on factors such as light exposure, temperature and time.

In worst cases, gasoline can be contaminated within 30 days.

Using contaminated gasoline can seriously damage the engine (carburetor clogged, valve stuck).

Such damage due to spoiled fuel is disallowed from coverage by the warranty.

To avoid this please strictly follow these recommendations:

- Only use specified gasoline (see page 52).
- Use fresh and clean gasoline.
- To slow deterioration, keep gasoline in a certified fuel container.
- If long storage (more than 30 days) is foreseen, drain fuel tank and carburetor.

# STORAGE

## Carburetor Draining

Draining the outboard motor before storing it for a long time.

### **▲WARNING**

**Gasoline is extremely flammable, and gasoline vapor can explode, causing serious injury or death. Do not smoke or allow flames or sparks in your working area. KEEP OUT OF REACH OF CHILDREN.**

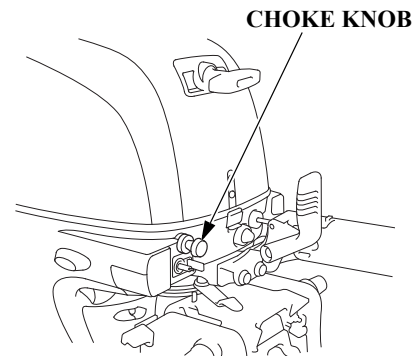
- **Be careful not to spill fuel. Spilled fuel or fuel vapor may ignite. If any fuel is spilled, make sure the area is dry before storing or transporting the outboard motor.**
- **Do not smoke or allow flames or sparks where fuel is drained or stored.**

## How to extract the fuel

This procedure requires maintenance skills. Refrain from doing it yourself. Present this manual to your dealer and have the work carried out by them.

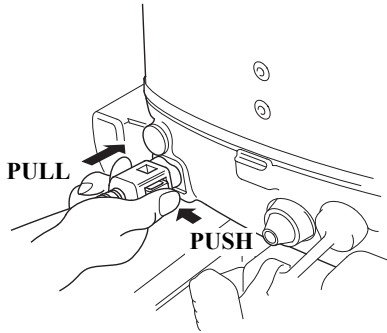
### NOTE:

Carry out the removal of fuel by following the procedures described in the manual. If you don't follow the procedures correctly, some fuel may remain in the carburetor and starting enrichment system passage causing damage to the engine.



The maintenance procedure differs depending on which enrichment system you have. You can tell which system you have according to whether there is a choke knob.

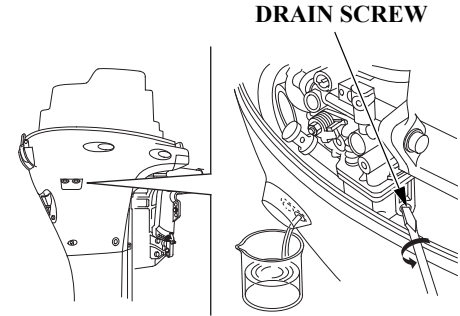
- With choke knob: Manual starting enrichment system.
- Without the choke knob: Automatic starting enrichment system.



1. Use up all fuel in the fuel supply pipe.
  - (1) Remove the fuel supply hose.
  - (2) Submerge the antiventilation plate.
  - (3) Start the engine and idle the engine until it stops.
    - Tiller handle type (see page 61).
    - Remote control type (see page 67).
  - (4) When using the remote control, turn the engine switch "OFF" after the engine stops.

2. Making it possible to discharge the fuel from the starting enrichment system fuel supply pipe.

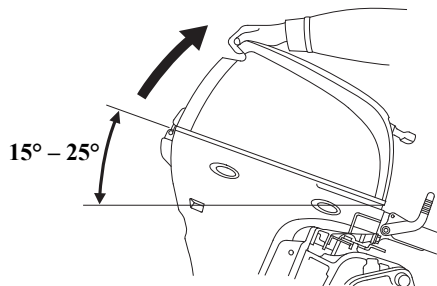
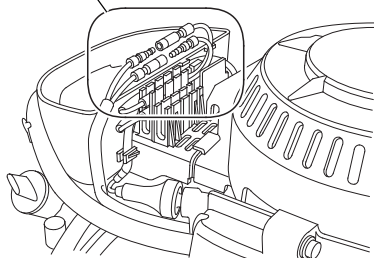
- (1) Opening up the starting enrichment system outlet.
  - Without the choke knob:  
Wait for an hour or more after the engine stops.  
The starting enrichment system opening opens up after about an hour.
- (2) Remove the emergency stop switch clip from the emergency stop switch (see pages 100 and 102).
- (3) Put the shift lever or control lever into the "N" (neutral) position (see pages 62 and 68).



3. Remove fuel from the carburetor float.
  - (1) Remove the engine cover (see page 49).
  - (2) Loosen the drain screw and drain off the fuel into a container.
  - (3) When the fuel has run out, tighten the screw.

## STORAGE

Starting enrichment thermal valve wires



4. Extract the fuel from the starting enrichment system fuel passage.

(1) Without the choke knob:

Remove the starting enrichment thermal valve wires.

The fuel passage is opens up.

(2) Tilt up the outboard motor

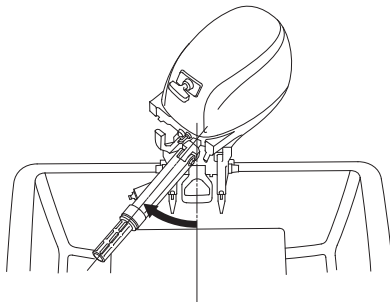
15°-25°.

- Manual tilt type (see page 34)

- Gas assist tilt type (see page 33)

- Power tilt type (see page 31)

(3) Turn the outboard motor all the way to the left.



(4) Crank the engine by operating the starting mechanism.

- Starter motor type:

(1) For the remote control type, turn the engine switch to "ON".

(2) Operate the starter motor.

- Operate for 4 seconds, wait for 10 seconds, then operate again for 4 seconds.

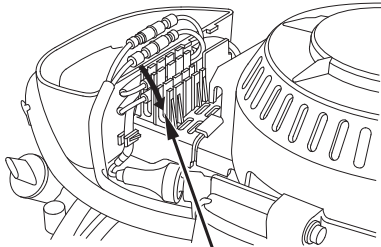
- The button or engine switch for operating the starter motor varies according to model type (see pages 63 and 69).

(3) On the remote control type, turn the engine switch to "OFF".

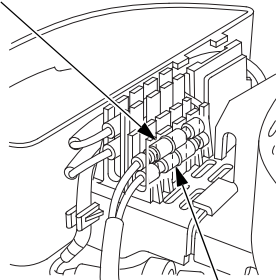
- Recoil starter type:

Pull the recoil starter grip 10 or more times.

## Valve wire installation order



**BROWN/WHITE**



**BLACK/GREEN**

- (5) Return the starting enrichment system to the way it was before starting the procedure.
  - Without the choke knob:
    - (1) Reconnect the starting enrichment thermal valve wires securely.
    - (2) Insert the starting enrichment thermal valve wires into the holder on the outboard motor.
  - With the choke knob:

Push the choke knob back in (see page 23).
5. Reassemble the removed parts.
  - (1) Install the engine cover.
  - (2) Install the emergency stop switch clip to the emergency stop switch (see pages 24 and 28).



# STORAGE

## Battery Storage

### NOTICE

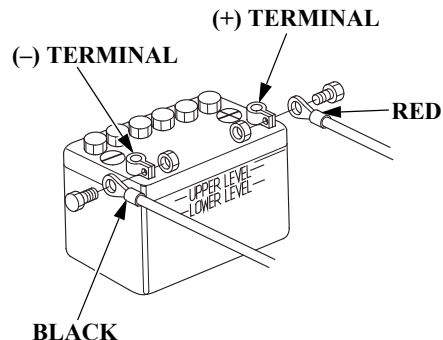
Battery handling differs according to the type of the battery. Refer to the battery manufacturer's instructions.

### ▲WARNING

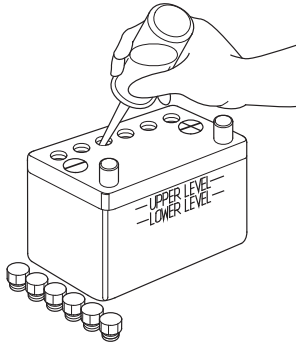
Batteries produce explosive gases: If ignited, an explosion can cause serious injury or blindness. Provide adequate ventilation when charging.

- **CHEMICAL HAZARD:** Battery electrolyte contains sulfuric acid. Contact with eyes or skin, even through clothing, may cause severe burns. Wear a faceshield and protective clothing.

- Keep flames and sparks away, and do not smoke in the area. **ANTIDOTE:** If electrolyte gets into your eyes, flush thoroughly with warm water for at least 15 minutes and call a physician immediately.
- **POISON:** Electrolyte is poison. **ANTIDOTE**
  - External: Flush thoroughly with water.
  - Internal: Drink large quantities of water or milk. Follow with milk of magnesia or vegetable oil, and call a physician immediately.
- **KEEP OUT OF REACH OF CHILDREN.**

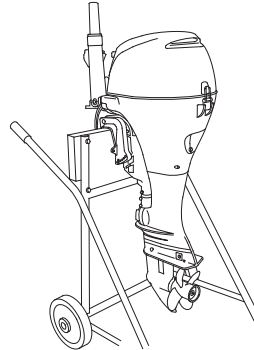


1. Disconnect the battery cable at the battery negative (-) terminal, then at the battery positive (+) terminal.
2. Remove the battery and clean the battery terminals and battery cable terminals with a wire brush or sand paper. Clean the battery with a solution of baking soda and warm water, taking care not to get the solution of water in the battery cells. Dry the battery thoroughly.



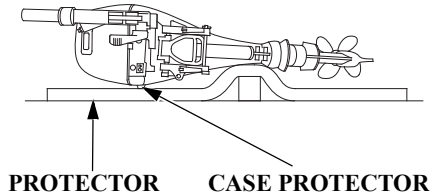
3. Fill the battery with distilled water to the upper level line. Never overfill the battery.
4. Store the battery on a level surface in a cool, dry, well ventilated place out of direct sunlight.
5. Once a month, check the specific gravity of the electrolyte and recharge as required to prolong battery life.

## Transport/Storage Position of the Outboard Motor



Transport and store the outboard motor either vertically or horizontally, as shown here. Store the outboard motor in a well-ventilated area free from direct sunlight and humidity.

**Vertical transport or storage:**  
Attach the stern bracket to a stand.



**Horizontal transport or storage:**  
Rest the outboard motor on the case protector.

Always rest the outboard motor on a protector and be sure to protect it from impact and damage.

**▲ CAUTION**

**Any other transport or storage position may cause damage or oil leakage.**

## 14. DISPOSAL

---

To protect the environment, do not dispose of this product, battery, engine oil, etc. carelessly by leaving them in the waste. Observe the local laws and regulations or consult your dealer for disposal.

## 15. TROUBLESHOOTING

### <Engine fails to start>

1. No fuel in tank. —————> Fill tank with fuel.
2. Fuel line is flattened or kinked. —————> Check for excessively bent or pinched fuel line.
3. Fuel connector is not connected properly. —————> Connect properly.
4. Fuel is contaminated or stale. —————> Replace with new fuel.
5. Battery is discharged. (Electric starter type) —————> Charge battery.
6. Battery terminal is loose. (Electric starter type) —————> Tighten battery terminal.
7. Spark plug cap is loose or disconnected. —————> Install and tighten spark plug cap securely.
8. Fuse is blown out. (Electric starter type) —————> Replace with new fuse.
9. Engine is started in wrong procedure. —————> Start in correct procedure.

### <Engine speed fluctuates or engine stalls>

1. Fuel level is low. —————> Add fuel.

2. Fuel line is flattened or kinked. —————> Check for excessively bent or pinched fuel line.
3. Fuel filter is clogged. —————> Replace fuel filter.
4. Spark plug is fouled. —————> Remove spark plug and dry and clean it.
5. Spark plug heat range is incorrect. —————> Replace with spark plug of proper heat range.
6. Spark plug gap is incorrect. —————> Adjust to proper gap.

### <Engine speed does not increase>

1. Fuel line is flattened or kinked. —————> Check for excessively bent or pinched fuel line.
2. Fuel filter is clogged. —————> Replace fuel filter.
3. Engine oil level is low. —————> Check engine oil and add to specified level.
4. Unmatched propeller is selected. —————> Consult with an authorized Honda outboard motor dealer.
5. Passengers are not distributed equally. —————> Distribute the passengers equally.
6. Outboard motor is not installed properly. —————> Install the outboard motor in the proper position.

# TROUBLESHOOTING

---

## <Engine overheats>

1. Water intake port and/or water check hole are/is clogged. —————> Clean water intake port and/or water check hole.
2. Engine is overloaded because of unequally distributed passengers or excessive load on the boat. —————> Distribute the passengers equally. Do not load on the boat excessively.

## <Engine overrevs>

1. Cavitation. —————> Install the outboard motor in the proper position.
2. Propeller is damaged. —————> Replace propeller.
3. Unmatched propeller is selected. —————> Consult with an authorized Honda outboard motor dealer.
4. Trim angle is not correct. —————> Trim to correct angle.

## 16. SPECIFICATIONS

MODEL	BF8D		
Description Code	BAAJ		
Type	H	HS	R
Overall length	611 mm (24.1 in)		602 mm (23.7 in)
Overall width	344 mm (13.5 in)		
Overall height	S	1,107 mm (43.6 in)	
	L	1,237 mm (48.7 in)	
Transom height (when transom angle at 12°)	S	433 mm (17.0 in)	
	L	563 mm (22.2 in)	
Dry mass (weight)*	S	42.0 kg (92.6 lbs)	45.5 kg (100.3 lbs)
	L	44.5 kg (98.1 lbs)	48.0 kg (105.8 lbs)
Rated power	5.9 kW (8.0 PS)		
Full throttle range	4,500 – 5,500 min <sup>-1</sup> (rpm)		
Engine type	4 stroke OHC in-line 2 cylinder, water-cooled		
Displacement	222 cm <sup>3</sup> (13.5 cu-in)		
Spark plug gap	0.8 – 0.9 mm (0.031 – 0.035 in)		
Starter system	Recoil starter	Recoil starter, Electric starter	
Ignition system	C.D.I.		
Lubrication system	Trochoid pump pressure lubrication		
Specified oil	Engine: API standard (SG, SH, SJ) SAE 10W-30 Gear case: API standard (GL-4) SAE 90 Hypoid gear oil		

\* Without battery cable, with propeller

Honda outboards are power rated in accordance with ISO8665 (propeller shaft output).

# SPECIFICATIONS

Oil capacity	Engine: 1.0 L (1.1 US qt, 0.9 Imp qt) without oil filter change 1.1 L (1.2 US qt, 1.0 Imp qt) with oil filter change Gear case: 0.29 L (0.31 US qt, 0.26 Imp qt)		
D.C. output	12V – 6A	12V – 12A	12V – 12A
Cooling system	Water cooling with thermostat		
Exhaust system	Water exhaust		
Spark plugs	CR5EH-9 (NGK), U16FER9 (DENSO)		
Fuel pump	Diaphragm type fuel pump		
Fuel	Automotive unleaded gasoline (91 research octane, 86 pump octane, or higher)		
Tank capacity	12 L (3.2 US gal, 2.6 Imp gal)		
Gear change	Forward-Neutral-Reverse (dog type)		
Steering angle	45° right and left		
Transom angle	(Manual tilt type): 5 stages (4°, 8°, 12°, 16°, 20°)		
Tilt angle (when transom angle at 12°)	(Manual tilt SH and LH type): 3-stage adjustment (22°, 37° and 63°) (Manual tilt R type): 3-stage adjustment (22°, 37° and 64°)		
Remote control steering system	—		Motor-mounted

# SPECIFICATIONS

MODEL	BF9.9D/BF10D		
Description Code	BABJ		
Type	H	HS	R
Overall length	611 mm (24.1 in)		602 mm (23.7 in)
Overall width	344 mm (13.5 in)		
Overall height	S	1,107 mm (43.6 in)	
	L	1,237 mm (48.7 in)	
	X	—	1,377 mm (54.2 in)
Transom height (when transom angle at 12°)	S	433 mm (17.0 in)	
	L	563 mm (22.2 in)	
	X	—	703 mm (27.7 in)
Dry mass (weight)*	S	42.0 kg (92.6 lbs)	46.0 kg (101.4 lbs)
	L	44.5 kg (98.1 lbs)	48.5 kg (106.9 lbs)
	X	—	52.5 kg (115.7 lbs)
Rated power	BF9.9D: 7.3 kW (9.9 PS) BF10D: 7.4 kW (10 PS)		
Full throttle range	5,000 – 6,000 min <sup>-1</sup> (rpm)		
Engine type	4 stroke OHC in-line 2 cylinder, water-cooled		
Displacement	222 cm <sup>3</sup> (13.5 cu-in)		
Spark plug gap	0.8 – 0.9 mm (0.031 – 0.035 in)		
Starter system	Recoil starter	Recoil starter, Electric starter	
Ignition system	C.D.I.		
Lubrication system	Trochoid pump pressure lubrication		
Specified oil	Engine: API standard (SG, SH, SJ) SAE 10W-30 Gear case: API standard (GL-4) SAE 90 Hypoid gear oil		

\* Without battery cable, with propeller

Honda outboards are power rated in accordance with ISO8665 (propeller shaft output).



# SPECIFICATIONS

Oil capacity	Engine: 1.0 L (1.1 US qt, 0.9 Imp qt) without oil filter change 1.1 L (1.2 US qt, 1.0 Imp qt) with oil filter change Gear case: 0.29 L (0.31 US qt, 0.26 Imp qt)		
D.C. output	12V – 6A	12V – 12A	12V – 12A
Cooling system	Water cooling with thermostat		
Exhaust system	Water exhaust		
Spark plugs	CR5EH-9 (NGK), U16FER9 (DENSO)		
Fuel pump	Diaphragm type fuel pump		
Fuel	Automotive unleaded gasoline (91 research octane, 86 pump octane, or higher)		
Tank capacity	12 L (3.2 US gal, 2.6 Imp gal)		
Gear change	Forward-Neutral-Reverse (dog type)		
Steering angle	45° right and left		
Transom angle	(Manual tilt type): 5 stages (4°, 8°, 12°, 16°, 20°)		
Tilt angle (when transom angle at 12°)	(Manual tilt SH and LH type): 3-stage adjustment (22°, 37° and 63°) (Manual tilt R type): 3-stage adjustment (22°, 37° and 64°)		
Remote control steering system	—		Motor-mounted

# SPECIFICATIONS

MODEL	BF15D					
Description Code	BALJ					
Type	H	HS	HG	R	RT	
Overall length	651 mm (25.6 in)			642 mm (25.3 in)		
Overall width	351 mm (13.8 in)					
Overall height	S	1,108 mm (43.6 in)				
	L	1,238 mm (48.7 in)				
	X	—	—	—	1,378 mm (54.3 in)	
Transom height (when transom angle at 12°)	S	433 mm (17.0 in)				
	L	563 mm (22.2 in)				
	X	—	—	—	703 mm (27.7 in)	
Dry mass (weight)*	S	46.5 kg (102.5 lbs)	49.0 kg (108.0 lbs)	56.0 kg (123.5 lbs)	49.5 kg (109.1 lbs)	57.0 kg (125.7 lbs)
	L	49.5 kg (109.1 lbs)	52.0 kg (114.6 lbs)	57.5 kg (126.8 lbs)	51.0 kg (112.4 lbs)	58.5 kg (129.0 lbs)
	X	—	—	—	—	61.0 kg (134.5 lbs)
Rated power	11.0 kW (15 PS)					
Full throttle range	4,500 – 5,500 min <sup>-1</sup> (rpm)					
Engine type	4 stroke OHC in-line 2 cylinder, water-cooled					
Displacement	350 cm <sup>3</sup> (21.4 cu-in)					
Spark plug gap	0.8 – 0.9 mm (0.031 – 0.035 in)					
Starter system	Recoil starter	Recoil starter, Electric starter				
Ignition system	C.D.I.					
Lubrication system	Trochoid pump pressure lubrication					
Specified oil	Engine: API standard (SG, SH, SJ) SAE 10W-30 Gear case: API standard (GL-4) SAE 90 Hypoid gear oil					

\* Without battery cable, with propeller

Honda outboards are power rated in accordance with ISO8665 (propeller shaft output).

# SPECIFICATIONS

Oil capacity	Engine: 1.0 L (1.1 US qt, 0.9 Imp qt) without oil filter change 1.1 L (1.2 US qt, 1.0 Imp qt) with oil filter change Gear case: 0.29 L (0.31 US qt, 0.26 Imp qt)		
D.C. output	12V – 6A	12V – 12A	12V – 12A
Cooling system	Water cooling with thermostat		
Exhaust system	Water exhaust		
Spark plugs	CR5EH-9 (NGK), U16FER9 (DENSO)		
Fuel pump	Diaphragm type fuel pump		
Fuel	Automotive unleaded gasoline (91 research octane, 86 pump octane, or higher)		
Tank capacity	12 L (3.2 US gal, 2.6 Imp gal)		
Gear change	Forward-Neutral-Reverse (dog type)		
Steering angle	45° right and left		
Transom angle	(Manual tilt type): 5 stages (4°, 8°, 12°, 16°, 20°)		
	(G and T type): 4 stages (8°, 12°, 16°, 20°)		
Tilt angle (when transom angle at 12°)	(Manual tilt SH type): 3-stage adjustment (22°, 37° and 63°)		
	(Manual tilt LH and R type): 3-stage adjustment (22°, 37° and 64°) (G and T type): 64°		
Remote control steering system	—		Motor-mounted

# SPECIFICATIONS

MODEL	BF20D							
Description Code	BAMJ							
Type	H	HS	HG	HT	R	RT		
Overall length	651 mm (25.6 in)				642 mm (25.3 in)			
Overall width	351 mm (13.8 in)							
Overall height	S	1,108 mm (43.6 in)			1,108 mm (43.6 in)			
	L	1,238 mm (48.7 in)						
	X	—	—	—	—	—	1,378 mm (54.3 in)	
Transom height (when transom angle at 12°)	S	433 mm (17.0 in)						
	L	563 mm (22.2 in)						
	X	—	—	—	—	—	703 mm (27.7 in)	
Dry mass (weight)*	S	46.5 kg (102.5 lbs)	49.0 kg (108.0 lbs)	56.0 kg (123.5 lbs)	57.5 kg (126.8 lbs)	49.5 kg (109.1 lbs)	57.0 kg (125.7 lbs)	
	L	49.5 kg (109.1 lbs)	52.0 kg (114.6 lbs)	57.5 kg (126.8 lbs)	59.5 kg (131.2 lbs)	51.0 kg (112.4 lbs)	58.5 kg (129.0 lbs)	
	X	—	—	—	—	—	61.0 kg (134.5 lbs)	
Rated power	14.7 kW (20 PS)							
Full throttle range	5,000 – 6,000 min <sup>-1</sup> (rpm)							
Engine type	4 stroke OHC in-line 2 cylinder, water-cooled							
Displacement	350 cm <sup>3</sup> (21.4 cu-in)							
Spark plug gap	0.8 – 0.9 mm (0.031 – 0.035 in)							
Starter system	Recoil starter	Recoil starter, Electric starter						
Ignition system	C.D.I.							
Lubrication system	Trochoid pump pressure lubrication							
Specified oil	Engine: API standard (SG, SH, SJ) SAE 10W-30 Gear case: API standard (GL-4) SAE 90 Hypoid gear oil							

\* Without battery cable, with propeller

Honda outboards are power rated in accordance with ISO8665 (propeller shaft output).

# SPECIFICATIONS

Oil capacity	Engine: 1.0 L (1.1 US qt, 0.9 Imp qt) without oil filter change 1.1 L (1.2 US qt, 1.0 Imp qt) with oil filter change Gear case: 0.29 L (0.31 US qt, 0.26 Imp qt)		
D.C. output	12V – 6A	12V – 12A	12V – 12A
Cooling system	Water cooling with thermostat		
Exhaust system	Water exhaust		
Spark plugs	CR5EH-9 (NGK), U16FER9 (DENSO)		
Fuel pump	Diaphragm type fuel pump		
Fuel	Automotive unleaded gasoline (91 research octane, 86 pump octane, or higher)		
Tank capacity	Except SHL, LHL and LH3 types: 12 L (3.2 US gal, 2.6 Imp gal) SHL, LHL and LH3 types: 25 L (6.6 US gal, 5.5 Imp gal)		
Gear change	Forward-Neutral-Reverse (dog type)		
Steering angle	45° right and left		
Transom angle	(Manual tilt type): 5 stages (4°, 8°, 12°, 16°, 20°) (G and T type): 4 stages (8°, 12°, 16°, 20°)		
Tilt angle (when transom angle at 12°)	(Manual tilt SH type): 3-stage adjustment (22°, 37° and 63°) (Manual tilt LH and R type): 3-stage adjustment (22°, 37° and 64°) (G and T type): 64°		
Remote control steering system	—		Motor-mounted

## Noise and Vibration

MODEL	BF8D		BF9.9D/BF10D	
CONTROL SYSTEM	T (Tiller handle)	R (Remote control)	T (Tiller handle)	R (Remote control)
Sound Pressure level at operator's ears (2006/42/EC)	79 dB (A)	76 dB (A)	80 dB (A)	75 dB (A)
Uncertainty (ICOMIA Standard No.39-94)	3 dB (A)	3 dB (A)	3 dB (A)	3 dB (A)
Measured sound power level (Reference to EN ISO3744)	—	—	—	—
Uncertainty	—	—	—	—
Vibration level at hand arm (2006/42/EC)	2.7 m/s <sup>2</sup>	Not exceed 2.5 m/s <sup>2</sup>	3.0 m/s <sup>2</sup>	Not exceed 2.5 m/s <sup>2</sup>
Uncertainty (ICOMIA Standard No.38-94)	1.8 m/s <sup>2</sup>	—	1.8 m/s <sup>2</sup>	—

MODEL	BF15D		BF20D	
CONTROL SYSTEM	T (Tiller handle)	R (Remote control)	T (Tiller handle)	R (Remote control)
Sound Pressure level at operator's ears (2006/42/EC)	81 dB (A)	77 dB (A)	83 dB (A)	77 dB (A)
Uncertainty (ICOMIA Standard No.39-94)	2 dB (A)	2 dB (A)	2 dB (A)	2 dB (A)
Measured sound power level (Reference to EN ISO3744)	87 dB (A)	—	90 dB (A)	—
Uncertainty	2 dB (A)	—	2 dB (A)	—
Vibration level at hand arm (2006/42/EC)	3.3 m/s <sup>2</sup>	Not exceed 2.5 m/s <sup>2</sup>	3.0 m/s <sup>2</sup>	Not exceed 2.5 m/s <sup>2</sup>
Uncertainty (ICOMIA Standard No.38-94)	0.7 m/s <sup>2</sup>	—	0.7 m/s <sup>2</sup>	—

Reference to: ICOMIA Standard: as it specifies the engine operating conditions and measurement conditions.

# 17. MAJOR Honda DISTRIBUTOR ADDRESSES

For further information, please contact Honda Customer Information Centre at the following address or telephone number:

## For European

### AUSTRIA

#### Honda Motor Europe Ltd

Hondastraße 1  
2351 Wiener Neudorf  
Tel.: +43 (0)2236 690 0  
Fax: +43 (0)2236 690 480  
<http://www.honda.at>  
✉ [HondaPP@honda.co.at](mailto:HondaPP@honda.co.at)

### BALTIC STATES (Estonia/Latvia/ Lithuania)

#### NCG Import Baltics OU

Meistri 12  
13517 Tallinn  
Harju County Estonia  
Tel.: +372 651 7300  
Fax: +372 651 7301  
✉ [info.baltic@ncgimport.com](mailto:info.baltic@ncgimport.com)

### BELARUS

#### JV "Scanlink" Ltd.

Montazhnikov lane 4th, 5-16  
Minsk 220019  
Republic of Belarus  
Tel.: +375172349999  
Fax: +375172380404  
✉ [honda@scanlink.by](mailto:honda@scanlink.by)

### BELGIUM

#### Honda Motor Europe Ltd

Doornveld 180-184  
1731 Zellik  
Tel.: +32 2620 10 00  
Fax: +32 2620 10 01  
<http://www.honda.be>  
✉ [bh\\_pe@honda-eu.com](mailto:bh_pe@honda-eu.com)

### BULGARIA

#### Premium Motor Ltd

Andrey Lyapchev Blvd no 34  
1797 Sofia  
Bulgaria  
Tel.: +3592 423 5879  
Fax: +3592 423 5879  
<http://www.hondamotor.bg>  
✉ [office@hondamotor.bg](mailto:office@hondamotor.bg)

### CROATIA

#### Fred Bobek d.o.o.

HONDA MARINE  
Put Gaćezeza 5b  
HR 22211 Vodice  
Tel.: 00385 22 444336  
Fax.: 00385 22 440500  
✉ [centrala@honda-croatia.com](mailto:centrala@honda-croatia.com)

### CYPRUS

#### Powerline Products Ltd

Cyprus - Nicosia  
Vasilias 18 2232 Latsia  
Tel.: 0035799490421  
✉ [info@powerlinecy.com](mailto:info@powerlinecy.com)  
<http://www.powerlinecy.com>

### CZECH REPUBLIC

#### BG Technik cs, a.s.

U Zavodiste 251/8  
15900 Prague 5 - Velka  
Chuchle  
Tel.: +420 2 838 70 850  
Fax: +420 2 667 111 45  
<http://www.honda-stroje.cz>

### DENMARK

#### TIMA A/S

Ryttermarken 10  
DK-3520 Farum  
Tel.: +45 36 34 25 50  
Fax: +45 36 77 16 30  
<http://www.tima.dk>

### FINLAND

#### OY Brandt AB.

Tuupakantie 7B  
01740 Vantaa  
Tel.: +358 207757200  
Fax: +358 9 878 5276  
<http://www.brandt.fi>

### FRANCE

#### Honda Motor Europe Ltd

Division Produit d'Équipement  
Parc d'activités de Pariest,  
Allée du 1er mai  
Croissy Beaubourg BP46, 77312  
Marne La Vallée Cedex 2  
Tel.: 01 60 37 30 00  
Fax: 01 60 37 30 86  
<http://www.honda.fr>  
✉ [espace-client@honda-eu.com](mailto:espace-client@honda-eu.com)

### GERMANY

#### Honda Deutschland Niederlassung der Honda Motor Europe Ltd.

Hanauer Landstraße 222-224  
D-60314 Frankfurt  
Tel.: 01805 20 20 90  
Fax: +49 (0)69 83 20 20  
<http://www.honda.de>  
✉ [info@post.honda.de](mailto:info@post.honda.de)

# MAJOR Honda DISTRIBUTOR ADDRESSES

For further information, please contact Honda Customer Information Centre at the following address or telephone number:

## For European (continued)

### GREECE

**Saracakis Brothers S.A.**

11 Leoforos Athinon  
10173 Athens  
Tel.: +30 210 3497809  
Fax: +30 210 3467329  
<http://www.honda.gr>  
✉ [info@saracakis.gr](mailto:info@saracakis.gr)

### HUNGARY

**MP Motor Co., Ltd.**

Kamaraerdei ut 3.  
2040 Budaors  
Tel.: +36 23 444 971  
Fax: +36 23 444 972  
<http://www.hondakisgepek.hu>  
✉ [info@hondakisgepek.hu](mailto:info@hondakisgepek.hu)

### IRELAND

**Two Wheels Ltd**

M50 Business Park, Ballymount  
Dublin 12  
Tel.: +353 1 4381900  
Fax: +353 1 4607851  
<http://www.hondaireland.ie>  
✉ [sales@hondaireland.ie](mailto:sales@hondaireland.ie)

### ISRAEL

**Mayer's Cars and Trucks Co.Ltd. -**

**Honda Division**

Shevach 5, Tel Aviv, 6777936  
Israel  
+972-3-6953162  
✉ [OrenBe@mct.co.il](mailto:OrenBe@mct.co.il)

### ITALY

**Honda Motore Europe Ltd**

Via della Cecchignola, 13  
00143 Roma  
Tel.: +848 846 632  
Fax: +39 065 4928 400  
<http://www.hondaitalia.com>  
✉ [info.power@honda-eu.com](mailto:info.power@honda-eu.com)

### NORTH MACEDONIA

**Fred Bobek d.o.o.**

HONDA MARINE  
Put Gačeleza 5b  
HR 22211 Vodice  
Tel.: 00385 22 444336  
Fax: 00385 22 440500  
✉ [centrala@honda-croatia.com](mailto:centrala@honda-croatia.com)

### MALTA

**The Associated Motors**

**Company Ltd.**

New Street in San Gwakkın Road  
Mriehel Bypass, Mriehel QRM17  
Tel.: +356 21 498 561  
Fax: +356 21 480 150  
✉ [mgalea@gasanzammit.com](mailto:mgalea@gasanzammit.com)

### NORWAY

**KELLOX**

Box 24, N-141  
Trollåsveien 36, 1414  
Trollåsen, Norway  
Mobile: +47 47 80 90 00  
Phone: +47 64 97 61 00  
<http://kellox.no/>  
✉ [finn.hoge@kellox.no](mailto:finn.hoge@kellox.no)

### POLAND

**Aries Power Equipment**

Puławska 467  
02-844 Warszawa  
Tel.: +48 (22) 861 43 01  
Fax: +48 (22) 861 43 02  
<http://www.ariespower.pl>  
<http://www.mojahonda.pl>  
✉ [info@ariespower.pl](mailto:info@ariespower.pl)

### PORTUGAL

**GROW Produtos de Forca  
Portugal**

Rua Fontes Pereira de Melo, 16  
Abrunheira, 2714-506 Sintra  
Tel.: +351 211 303 000  
Fax: +351 211 303 003  
<http://www.grow.com.pt>  
✉ [geral@grow.com.pt](mailto:geral@grow.com.pt)

### ROMANIA

**Agrisorg SRL**

Sacadat Str Principala  
Nr 444/A Jud. Bihor  
Romania  
Tel.: (+4) 0259 458 336  
✉ [info@agrisorg.com](mailto:info@agrisorg.com)

### SERBIA & MONTENEGRO

**Fred Bobek d.o.o.**

HONDA MARINE  
Put Gačeleza 5b  
HR 22211 Vodice  
Tel.: 00385 22 444336  
Fax.: 00385 22 440500  
✉ [centrala@honda-croatia.com](mailto:centrala@honda-croatia.com)



# MAJOR Honda DISTRIBUTOR ADDRESSES

---

For further information, please contact Honda Customer Information Centre at the following address or telephone number:

## For European (continued)

### SLOVAK REPUBLIC

**Honda Motor Europe Ltd**  
**Slovensko, organizačná zložka**  
Prievozská 6 821 09 Bratislava  
Tel.: +421 2 32131111  
Fax: +421 2 32131112  
<http://www.honda.sk>

### SLOVENIA

**Fred Bobek d.o.o.**  
**HONDA MARINE**  
Put Gačeleza 5b  
HR 22211 Vodice  
Tel.: 00385 22 444336  
Fax.: 00385 22 440500  
✉ [centrala@honda-croatia.com](mailto:centrala@honda-croatia.com)

### SPAIN & all Provinces

**Greens Power Products, S.L.**  
Poligono Industrial Congost –  
Av Ramon Ciuaras n°2  
08530 La Garriga - Barcelona  
Tel.: +34 93 860 50 25  
Fax: +34 93 871 81 80  
<http://www.hondaencasa.com>

### SWEDEN

**Honda Motor Europe Ltd filial**  
**Sverige**  
Box 31002 - Långhusgatan 4  
215 86 Malmö  
Tel.: +46 (0)40 600 23 00  
Fax: +46 (0)40 600 23 19  
<http://www.honda.se>  
✉ [hpesinfo@honda-eu.com](mailto:hpesinfo@honda-eu.com)

### SWITZERLAND

**Honda Motor Europe Ltd.**  
**Succursale de Satigny/Genève**  
Rue de la Bergère 5  
1242 Satigny  
Tel.: +41 (0)22 989 05 00  
Fax: +41 (0)22 989 06 60  
<http://www.honda.ch>

### TURKEY

**Anadolu Motor Uretim Ve**  
**Pazarlama As**  
Sekerpınar Mah  
Albayrak Sok No 4  
Cayirova 41420  
Kocaeli  
Tel.: +90 262 999 23 00  
Fax: +90 262 658 94 17  
<http://www.anadolumotor.com.tr>  
✉ [antor@antor.com.tr](mailto:antor@antor.com.tr)

### UKRAINE

**Dnipro Motor LLC**  
3, Bondarsky Alley,  
Kyiv, 04073, Ukraine  
Tel.: +380 44 537 25 76  
Fax: +380 44 501 54 27  
✉ [igor.lobunets@honda.ua](mailto:igor.lobunets@honda.ua)

### UNITED KINGDOM

**Honda Motor Europe Ltd**  
Cain Road  
Bracknell  
Berkshire  
RG12 1 HL  
Tel.: +44 (0)845 200 8000  
<http://www.honda.co.uk>

# 18. "UK DECLARATION OF CONFORMITY" CONTENT OUTLINE

## 1) UK-DECLARATION OF CONFORMITY

2) THE UNDERSIGNED, (13), REPRESENTING THE MANUFACTURER, HEREWITH DECLARES THAT THE PRODUCT IS IN CONFORMITY WITH THE PROVISIONS OF THE FOLLOWING STATUTORY REQUIREMENTS

SI 2008 No. 1597 ; SI 2016 No. 1091

3) REFERENCE TO DESIGNATED STANDARDS:

EN 61000-6-1: 2007, EN 55012:2007+A1:2009

## 4) DESCRIPTION OF THE MACHINERY

5) Generic denomination: Outboard engine 6) Function: Propulsion system 7) MAKE: Honda

8) TYPE:

9) SERIAL NUMBER:

10) Manufacturer:

Honda Motor Co., Ltd.  
2-1-1 Minamiaoyama Minato-ku Tokyo 107-8556 Japan

11) Authorized representative and able to compile the technical documentation:

Honda Motor Europe Ltd  
Cain Road, Bracknell, Berkshire, RG12 1HL,  
United Kingdom

12) SIGNATURE:

12)
-----

13) NAME:

13)
-----

14) TITLE

15)
-----

16) DATE:

16)
-----

17) PLACE:

17)
-----

# 19. “EC DECLARATION OF CONFORMITY” CONTENT OUTLINE

1) <b>EC-DECLARATION OF CONFORMITY</b>			
2) THE UNDERSIGNED, (13), REPRESENTING THE MANUFACTURER, HEREWITH DECLARES THAT THE PRODUCT IS IN CONFORMITY WITH THE PROVISIONS OF THE FOLLOWING EC-DIRECTIVES			
2006/42/EC, 2014/30/EU			
3) REFERENCE TO HARMONIZED STANDARDS:			
EN 61000-6-1: 2007, EN 55012:2007+A1:2009			
4) <b>DESCRIPTION OF THE MACHINERY</b>			
5) Generic denomination: Outboard engine		6) Function: Propulsion system	
		7) MAKE: Honda/Tohatsu	
8) TYPE:		9) SERIAL NUMBER:	
<input type="text"/>		<input type="text"/>	
10) Manufacturer: Honda Motor Co., Ltd. 2-1-1 Minamiaoyama Minato-ku Tokyo 107-8556 Japan			
11) Authorized representative and able to compile the technical documentation: Honda Motor Europe Ltd – Aalst Office Wijngaardveld 1 (Noord V) 9300 Aalst - Belgium			
12) SIGNATURE:		<input type="text"/>	
13) NAME:		16) DATE:	
<input type="text"/>		<input type="text"/>	
14) TITLE:		17) PLACE:	
<input type="text"/>		<input type="text"/>	

# “EC DECLARATION OF CONFORMITY” CONTENT OUTLINE

<p>1) DECLARATION CE DE CONFORMITE 2) LE SOUSSIGNÉ, (13), REPRÉSENTANT DU CONSTRUCTEUR, DÉCLARE PAR LA PRÉSENTE QUE LE PRODUIT EST CONFORME AUX DISPOSITIONS DES DIRECTIVES CE SUIVANTES  3) REFERENCE AUX NORMES HARMONISÉES 4) DESCRIPTION DE MACHINE  5) Denomination générique: moteur hors-bord 6) Fonction : Système de propulsion 7) MARQUE  8) TYPE 9) NUMÉRO DI SERIE 10) CONSTRUCTEUR 11) Représentant autorisé et en charge des éditions de documentation techniques  12) SIGNATURE 13) NOM 14) TITRE 15) Directeur Qualité 16) DATE 17) LIEU</p>	<b>français ( FRENCH )</b>
<p>1) DICHIARAZIONE DI CONFORMITA' CE 2) IL SOTTOSCRITTO, (13), RAPPRESENTANTE DEL COSTRUTTORE, DICHIARA QUI DI SEGUITO CHE IL PRODOTTO E' CONFORME A QUANTO PREVISTO DALLE SEGUENTI DIRETTIVE COMUNITARIE  3) RIFERIMENTO ALLE NORME ARMONIZZATE 4) DESCRIZIONE DELLA MACCHINA  5) Denominazione generica: MOTORE FUORIBORDO 6) Funzione : Sistema di propulsione  7) MARCA 8) TIPO 9) NUMERO DI SERIE 10) FABBRICANTE  11) Rappresentante autorizzato e competente per la compilazione della documentazione tecnica  12) FIRMA 13) NOME 14) TITOLO 15) DIRETTORE DELLA QUALITA' 16) ADDI 17) LUOGO</p>	<b>italiano ( ITALIAN )</b>
<p>1) EG-KONFORMITÄTSERKLÄUNG 2) DER UNTERZEICHNER, (13), DER DEN HERSTELLER VERTRITT, ERKLÄRT HIERMIT, DAß DAS PRODUKT IN ÜBEREINSTIMMUNG MIT DEN BESTIMMUNGEN DER NACHSTEHENDEN EG-RICHTLINIEN IST  3) VERWEIS AUF HARMONISIERTE NORMEN 4) BESCHREIBUNG DER MASCHINE  5) Allgemeine Bezeichnung : Außenbordmotor 6) Funktion : Antriebsart  7) FABRIKAT 8) TYP 9) SERIEN NUMMER 10) HERSTELLER  11) Bevollmächtigter und in der Position, die technische Dokumentation zu erstellen  12) UNTERSCHIFT 13) NAME 14) TITEL 15) Qualitätssi Cherung 16) DATUM 17) ORT</p>	<b>deutsch ( GERMAN )</b>
<p>1) EG-VERKLARING VAN OVEREENSTEMMING 2) ONDERGETEKENDE, (13), VERTEGENWOORDIGER VAN DE FABRIKANT, VERKLAART HIERMEE DAT HET PRODUCT VOLDOET AAN DE BEPALINGEN VAN DE VOLGENDE EG-RICHTLIJNEN  3) REFERENTIE NAAR GEHARMONISEERDE NORMEN 4) BESCHRIJVING VAN DE MACHINE  5) Algemene benaming : buitenboordmotor 6) Functie : Aandrijfsysteem  7) FABRIKAT 8) TYPE 9) SERIEN UMMER 10) FABRIKANT  11) Gemachtigde van de fabrikant en in staat om de technische documentatie samen te stellen  12) HANDTEKENING 13) NAAM 14) TITEL 15) Directeur Kwaliteitszorg 16) DATUM 17) PLAATS</p>	<b>nederlands ( DUTCH )</b>
<p>1) ΕΚ-ΔΗΛΩΣΗ ΕΝΑΡΜΟΝΙΣΗΣ 2) Ο ΥΠΟΓΡΑΦΩΝ, (13), ΕΚΠΡΟΣΩΠΟΝΤΑΣ ΤΟΝ ΚΑΤΑΣΚΕΥΑΣΤΗ, ΔΙΑ ΤΟΥ ΠΑΡΟΝΤΟΣ ΔΗΛΩΝΕΙ ΟΤΙ ΤΟ ΠΡΟΪΟΝ ΒΡΙΕΚΕΤΑΙ ΣΕ ΕΝΑΡΜΟΝΙΣΗ ΜΕ ΤΙΣ ΠΡΟΒΛ ΕΨΕΙΣ ΤΩΝ ΚΑΤΩΘΙ ΟΔΗΓΙΩΝ ΤΗΣ ΕΕ  3) ΠΑΡΑΠΟΜΠΗ ΣΤΑ ΕΝΑΡΜΟΝΙΣΜΕΝΑ ΠΡΟΤΥΠΑ 4) ΠΕΡΙΓΡΑΦΗ ΜΗΧΑΝΗΜΑΤΟΣ  5) Γενική ονομασία : Εξωλέμβια μηχανή 6) Λειτουργία : Σύστημα Πρόωσης  7) ΕΡΙΓΟΣΤΑΣΙΟ ΚΑΤΑΣΚΕΥΗΣ 8) ΤΥΠΟΣ 9) ΑΡΙΘΜΟΣ ΣΕΙΡΑΣ 10) ΚΑΤΑΣΚΕΥΑΣΤΗΣ  11) Εξουσιοδοτημένος αντιπρόσωπος και είναι σε θέση να καταρτίσει τον τεχνικό φάκελο  12) ΥΠΟΓΡΑΦΗ 13) ΟΝΟΜΑ 14) ΤΙΤΛΟΣ 15) Υπεύθυνος Ποιότητας 16) ΗΜΕΡΟΜΗΝΙΑ 17) ΤΟΠΟΣ</p>	<b>Ελληνικά ( GREEK )</b>
<p>1) EF OVERENSSTEMMELSESRKLÆRING 2) UNDERTEGNEDE, (13), DER PEPRÆSENTERER FABRIKANTEN, ERKLÆRER HERMED AT PRODUKTET ER I OVERENSSTEMMELSE MED BESTEMMELSERNE I FØLGE EF DIREKTIVERNE  3) REFERENCE TIL HARMONISERED E STANDARDER 4) BESKRIVELSE AF MASKINEN  5) FÆLLESBETEGNELSE : Utenbordsmotor 6) ANVENDELSE : Fremdrivningssystem 7) FABRIKANT  8) TYPE 9) SERIEN UMMER 10) FABRIKANT  11) AUTORISERET REPRÆSENTANT OG I STAND TIL AT UDARBEJDE DEN TEKNISKE DOKUMENTATION  12) SIGNATURE 13) NAVN 14) TITEL 15) Kvalitets Leder 16) DATO 17) STED</p>	<b>dansk ( DANISH )</b>

# “EC DECLARATION OF CONFORMITY” CONTENT OUTLINE

<p>1) DECLARACIÓN DE CONFORMIDAD 2) EL ABAJO FIRMANTE, (13), EN REPRESENTACIÓN DE FABRICANTE, DECLARA QUE EL PRODUCTO ES CONFORME CON LAS DISPOSICIONES DE LAS SIGUIENTES DIRECTIVAS CE  3) REFERENCIA A ESTÁNDARES ARMONIZADOS 4) DESCRIPCIÓN DE LA MAQUINARIA  5) Denominación genérica : Motor fueraborda 6) Función : Sistema de propulsión 7) MARCA  8) TIPO 9) NUMERO DE SERIE 10) FABRICANTE 11) Representante autorizado que puede compilar el expediente técnico  12) FIRMA 13) NOMBRE 14) CARGO 15) Director de calidad 16) FECHA 17) LUGAR</p>	<b>español ( SPANISH )</b>
<p>1)DECLARAÇÃO CE DE CONFORMIDADE 2) O ABAIXO ASSINADO, (13), EM REPRESENTAÇÃO DO FABRICANTE, PELA PRESENTE DECLARA QUE O PRODUTO ESTÁ EM CONFORMIDADE COM O ESTABELECIDO NAS SEGUINTES DIRECTIVAS COMUNITÁRIAS 3) REFERÊNCIA AS NORMAS HARMONIZADAS 4) DESCRIÇÃO DA MÁQUINA  5) Denominação genérica : Motor fora de borda 6) Função : Sistema propulsor  7) MARCA 8) TIPO 9) NÚMERO DE SÉRIE 10) FABRICANTE  11) Mandatário com capacidade para compilar documentação técnica  12) ASSINATURA 13) NOME 14) TÍTULO 15) Director de Qualidade 16) DATA 17) LOCAL</p>	<b>português ( PORTUGUESE )</b>
<p>1) EY-VAATIMUSTENMUKAISUUSVAKUUTUS 2) ALLEKIRJOITANUT, (13), JOKA EDUSTAA VALMISTAJAA, VAKUUTAA TÄTEN, ET TÄ TUOTE ON SEURAAVIEN EU-DIREKTIIVIEN VAATIMUSTEN MUKAINEN  3) VITTAUS YHTEISIN STANDARDIIN 4) KUVAUS LAITTEESTA  5) Yleisarvomaäärä : Peramoottori 6) Toiminto : Työntöjärjestelmä 7) MERKKI 8) MALLI  9) SARJANUMERO 10) VALMISTAJA 11) Valmistajan edustaja ja teknisten dokumenttien laatia  12) ALLEKIRJOITUS 13) NIMI 14) TITTELI 15) Laatupäällikkö  16) PÄIVÄMÄÄRÄ 17) PAIKKA</p>	<b>suomi / suomen kieli ( FINNISH )</b>
<p>1) ЕО-ДЕКЛАРАЦИЯ ЗА СЪОТВЕТСТВИЕ 2) ДОЛУ ПОДПИСАЛИЯТ СЕ (13), ПРЕДСТАВЛЯВАЩ ДИСТРИБУТОРА, ДЕКЛАРИРА, ЧЕ ПРОДУКТА СЪОТВЕТСТВА НА ИЗСКВАНИЯТА НА СЛЕДНИТЕ ЕВРОПЕЙСКИ ДИРЕКТИВИ  3) СЪОТВЕТСТВИЕ С ХАРМОНИЗИРАНИТЕ СТАНДАРТИ 4) ОПИСАНИЕ НА АРТИКУЛА  5) Общо наименование : ИЗВЪН БОРДОВИ ДВИГАТЕЛ 6) Функция : Задвижваща система  7) МАРКА 8) ТИП 9) СЕРИЕН НОМЕР 10) ПРОИЗВОДИТЕЛ  11) Упълномощен представител и отговорник за съставяне на техническа документация  12) ПОДПИС 13) ИМЕ 14) ТИТЛА 15) МЕНИДЖЪР НА КАЧЕСТВОТО 16) ДАТА 17) МЯСТО</p>	<b>български ( BULGARIAN )</b>
<p>1) EG-FÖRSÄKRAN OM ÖVERENSSTÄMMELSE 2) UNDERTECKNAD, (13), REPRESENTERANDE TILLVERKARE, FÖRSÄKRAR HÄRMED ATT PRODUKTEN ÖVERENSSTÄMMER MED BESTÄMMELSERNA I FÖLJANDE EG-DIREKTIVE  3) REFERERANDE TILL HARMONISERADE STANDARDER 4) BESKRIVNING AV UTRUSTNINGEN  5) Allmän benämning : Utomboromotor 6) Funktion : Framdrivningssystem  7) MERKKI 8) TYPBETECKNING 9) SERIENUMER 10) TILLVERKARE  11) Auktoriserad representant och ska kunna sammanställa teknisk dokumentationen.  12) SIGNATUR 13) NAMN 14) TITEL 15) Kvalitetschef 16) DATUM 17) ÖRT</p>	<b>svenska ( SWEDISH )</b>
<p>1) DEKLARACJA ZGODNOSCI WE 2) NIŻEJ PODPISANY (13), REPREZENTUJĄCY PRODUCENTA, DEKLARUJE Z CAŁĄ ODPOWIEDZIALNOŚCIĄ, ŻE PRODUKT SPEŁNIA WYMAGANIA ZAWARTE W NASTĘPUJĄCYCH DYREKTYWACH UNIJNYCH  3) ZASTOSOWANE NORMY ZHARMONIZOWANE 4) OPIS URZĄDZENIA  5) Ogólne określenie : Silnik zaburtowy 6) Funkcja : Układ napędowy  7) MARKA 8) TYP 9) NUMERY SERYJNE 10) PRODUCENT  11) Upoważniony Przedstawiciel oraz osoba upoważniona do przygotowania dokumentacji technicznej 12) PODPIS  13) NAZWISKO 14) TYTUŁ 15) Menadżer Jakości 16) DATA 17) MIEJSCE</p>	<b>polski ( POLISH )</b>

# “EC DECLARATION OF CONFORMITY” CONTENT OUTLINE

<p>1)MÉGFELELŐSÉGI NYILATKOZAT 2)ALULIROTT (13), MINT A GYÁRTÓ KÉPVISELOJE NYILATKOZIK, HOGY AZ ALABBI TERMÉK MINDENBEN MEGFELEL A KÖVETKEZŐ EČ ELŐÍRÁSOK RENDELKEZÉSEINEK: 98/37/EC, 89/336/EEC-93/68/EC:  3)ÖSSZHANGBAN A KÖV. SZABVÁNYOKKAL 4)A GEP LEÍRÁSA  5) Általános megnevezés : KÜLSŐ CSÓNAKMOTOR 6) Funkció : Hajtás rendszer  7) GYÁRTÓTTA 8) TÍPUS 9) SORSZÁM 10) GYÁRTÓ 11) Meghatalmazott képviselője és képes összeállítani a műszaki dokumentációt.  12) ALÁÍRÁS 13) NÉV 14) BEOSZTÁS  15) MINŐSÉGI IGAZGATÓ 16) KELTEZÉS DÁTUMA 17) KELTEZÉS HELYE</p>	<b>magyar ( HUNGARIAN )</b>
<p>1) Prohlášení o shodě 2) ZÁSTUPCE VÝROBCE, (13), SVÝM PODPÍSEM POTVRUJE, ŽE DANÝ VÝROBEK JE V SOULADU S NÁSLEDUJÍCÍMI SMĚRNICEMI A NORMAMI EVROPSKÉHO SPOLEČENSTVÍ:  3) ODKAZ NA HARMONIZOVANÉ NORMY: 4) POPIS VÝROBKU  5) Všeobecné označení : ZÁVĚSNÝ LODNÍ MOTOR 6) Funkce : Pohonný systém  7) ZNAČKA: 8) TYP: 9) VÝROBNÍ ČÍSLO: 10) VÝROBCE: 11) Zplnomocněný zástupce a osoba pověřená komplectací technické dokumentace  12) PODPIS: 13) JMÉNO: 14) POZICE 15) Manažer kvality 16) DATUM: 17) MÍSTO:</p>	<b>čeština ( CZECH )</b>
<p>1) ES VYHLÁSENIE O ZHODE 2) DOLUPODPÍSANÝ, (13), ZASTUPUJÚCI VÝROBCU, TÝMTO DEKLARUJE, ŽE PRODUKT JE V SÚLADE S USTANOVENIAMÍ NASLEDOVNÝCH SMERNÍC ES  3) REFERENCIA K HARMONIZOVANÝM ŠTANDARDOM 4) IDENTIFIKÁCIA STROJOV  5) Druhové označenie : ZÁVESNÝ LODNÝ MOTOR 6) Funkcia : Systém pohonu  7) VÝROBCA/ZNAČKA 8) TYP 9) SÉRIOVÉ ČÍSLO  10) VÝROBCA 11) Autorizovaný zástupca schopný zostaviť technickú dokumentáciu 12) PODPIS 13) MENO 14) POZÍCIA  15) MANAŽÉR KVALITY 16) DÁTUM 17) MIESTO</p>	<b>slovenčina ( SLOVAK )</b>
<p>1) EF SAMSVARSÆRKLÆRING 2) UNDERTEGNEDE, (13), SOM REPRESENTERER FABRIKANTEN, ERKLÆRER HERVED AT PRODUKTET ER I OVERENSSTEMMELSE MED BESTEMMELESENE I FØLGENDE EU DIREKTIV  3) REFERANSER TIL HARMONISEREDE STANDARDER 4) BESKRIVELSE AV MASKINEN  5) Felles benevnelse : Utenbordsmotor 6) Funksjon : Fremdrifts system  7) FABRIKANT 8) TYPE 9) SERIE NUMMER 10) FABRIKANT 11) Autorisert representant og i stand til å utarbeide den tekniske dokumentasjonen  12) SIGNATUR 13) NAVN 14) TITTEL 15) Kvalitetssjef 16) DATO 17) STED</p>	<b>norsk (NORWEGIAN)</b>
<p>1) DECLARATIE DE CONFORMITATE. 2) SUBSEMNATUL, (13), REPRESENTAND PE PRODUCATOR, DECLAR PRIN PREZE NTA CA PRODUSUL ESTE IN CONFORMITATE CU PREVEDERILE URMATOARELOR DIRECTIVE CE  3) REFERIRE LA STANDARDULE ARMONIZATE: 4) DESCRIEREA ECHIPAMENTULUI  5) Denumire generica : MOTOR IN AFARA BORDULUI (EXTERN) 6) Domeniul de utilizare : Sistem de propulsie  7) MARCA 8) TIPUL 9) NUMAR DE SERIE 10) PRODUCATOR 11) Reprezentant autorizat și abilitat să realizeze documentație tehnică  12) SEMNATURA 13) NUME 14) TITLUL 15) DIRECTOR DE CALITATE 16) DATA 17) LOCATIE</p>	<b>română (ROMANIAN)</b>
<p>1)EU VASTAVUSDEKLARATSIOON 2)ALLAKIRJUTANU, (13), ESINDADES TOOTJAT, DEKLAREERIB SIINKOHAL, ET TOODE ON VASTAVUSES JÄRGMISTE EC DIREKTIIVIDE SÄTETEGA  3)VIIDE ÜHTLUSTATUD STANDARDITELE: 4)MEHHANISMI KIRJELDUS  5)Üldnimetus : Pardavälise mootor 6) Funktsioon : Tõukursüsteem  7)VALMISTAJA: 8)TÜÜP: 9)SEERIANUMBER:  10)TOOTJA: 11) Volitatud esindaja, kes on pädev täitma tehnilist dokumentatsiooni 12)ÄLKIRI: 13)NIMI: 14)AMET  15)Kvaliteedijuhit 16)KUUPÄEV: 17)KOHT:</p>	<b>estni ( ESTONIAN )</b>

# “EC DECLARATION OF CONFORMITY” CONTENT OUTLINE

<p>1) EK ATBILSTĪBAS DEKLARĀCIJA 2) ZEMĀK MINĒTAIS, (13), KĀ RAŽOTĀJA PĀRSTĀVIS AR ŠO APSTIPRINA, KA ŠIS PRODUKTS PILNĪBĀ ATBILST VISIEM STANDARTIEM, KAS ATRUNĀTI SEKOJOŠAJĀS EC-DIREKTĪVĀS 3) Atsaucošies uz saskaņotajiem standartiem 4) Iekārtas apraksts 5) Vispārējais nosaukums : Piekarināmais laivas dzinējs 6) Funkcija : Virzošā spēka sistēma 7) Preču zīme 8) Tips 9) Sērijas numurs 10) Izgatavotājs 11) Autorizētais pārstāvis, kas spēj sastādīt tehnisko dokumentāciju 12) Paraksts 13) Vārds, Uzvārds 14) Tituls 15) Kvalitātes vadītājs 16) Datums 17) Vieta</p>	<b>latviešu (LATVIAN)</b>
<p>1) EB ATITIKTĪES DEKLARĀCIJA 2) ŽEMIAUI PASIRAŠES, (13), ATSTOVAUJANTIS GAMINTOJĀ DEKLARUOJA KAD PRODUKTAS ATITINKA REIKALAVĪMUS PAGAL ŠIAS EB DIREKTĪVAS. 3) NUORODA Į HARMONIZUOTUS STANDARTUS. 4) MAŠINOS APRAŠYMAS. 5) Bendras pavadinimas : PAKABINAMAS VARIKLIS 6) Funkcija : Varomasis būdas 7) MARKĖ. 8) TIPAS 9) SERIJINIS NUMERIS. 10) GAMINTOJAS. 11) Įgaliotasis atstovas ir galintis sudaryti techninę dokumentaciją 12) PARAŠAS. 13) V. PAVARDĖ 14) PAREIGOS 15) KOKYBĖS VADYBININKAS. 16) DATA. 17) VIETA</p>	<b>lietuvių kalba (LITHUANIAN)</b>
<p>1) ES-DEKLARACIJA O USTREZNOSTI 2) PODPISANI (13), PREDSTAVNIK PROIZVAJALCA, IZJAVLJAM DA IZDELKI USTREZAJO NASLEDNJIM DEKLARACIJAM 3) SKLADNOST Z NASLEDNJIMI STANDARDI 4) OPIS IZDELKOV 5) Vrsta stroja : Izvenkrmi motorji 6) Funkcija : Pogonski sistem 7) PROIZVAJA 8) TIP 9) SERIJSKA ŠTEVILKA 10) PROIZVAJALEC 11) Pooblašĉeni predstavnik ki lahko predloži tehniĉno dokumentacijo 12) PODPIS 13) IME 14) FUNKCIJA 15) Direktor presoje 16) DATUM 17) KRAJ</p>	<b>slovenščina (SLOVENIAN)</b>
<p>1) EB-YFIRLYSING 2) UNDIRRITADUR HR. (13) LYSI YFIR FYRIR HÖND FRAMLEIÐANDA AÐ VARAN UPPFYLLIR EFTIRFARANDI EC-TILSKIPANIR 3) TILVÍSUN UM HEILDARSTAÐAL 4) LÝSING Á VÉLBÚNAÐI 5) Flokkur : Utanborðsmótorar 6) Virkni : knúningsafl kerfi 7) FRAMLEIÐSLA 8) GERÐ 9) SERÍAL NÚMER 10) FRAMLEIÐANDI 11) Löggildir aðilar og fær um að taka saman tækniskjölin 12) UNDIRSKRIFT 13) NAFN 14) TITILL 15) Skráningarstjóri 16) DAGSETNING 17) STAÐUR</p>	<b>Íslenska (ICELANDIC)</b>
<p>1) AT UYGUNLUK BEYANI 2) AŞAĖIDA İMZASI BULUNAN VE İMALATÇININ YETKİLİ TEMSİLCİSİ OLAN (13) ÜRÜNÜN ŞU AT YÖNETMELİKLERİNİN HÜKÜMLERİNE UYGUN OLDUĖUNU BEYAN EDER. 3) UYUMLAŞTIRILMIŞ STANDARTLARA ATIF 4) MAKİNANIN TARIFI 5) Flokkur : Diştan takma motor 6) Virkni : tahrík sistemi 7) MARKA 8) TIP 9) SERİ NUMARASI 10) İMALATÇI 11) Teknik dosyası hazırlamakla yetkili olan Toplulukta yerleşik yetkili temsilci 12) İMZA 13) ADI 14) ÜNVANI 15) Homologasyon Yöneticisi 16) TARİH 17) YER</p>	<b>Türk (TURKISH)</b>
<p>1) EK-IZJAVA O SUKLADNOSTI 2) POTPIŠANI (13), PREDSTAVNIK PROIZVOĐAČA, IZJAVLJUJE DA JE PROIZVOD U SUKLADNOSTI S ODREDBAMA SLJEDEĆEG EK PROPISA 3) REFERENCA NA USKLADENE NORME 4) OPIS STROJA 5) Opća vrijednost : Vanbrodski motor 6) Funkcionalnost : Pogonski sustav 7) IZRADIO 8) TIP 9) SERIJSKI BROJ 10) PROIZVOĐAČ 11) Ovlašteni predstavnik i osoba za sastavljanje tehniĉke dokumentacije 12) POTPIŠ 13) IME 14) TITULA 15) Upravitelj homologacije 16) DATUM 17) MJESTO</p>	<b>hrvatski (CROATIAN)</b>

<p>Anode Metal ..... 34</p> <p>Battery</p> <p style="padding-left: 20px;">Charging DC Receptacle ..... 47</p> <p style="padding-left: 20px;">Connections ..... 46</p> <p style="padding-left: 20px;">Electrolyte Level ..... 54</p> <p style="padding-left: 20px;">Service ..... 119</p> <p style="padding-left: 20px;">Storage ..... 136</p> <p>Break-in Procedure ..... 80</p> <p>Carburetor Draining ..... 132</p> <p>Choke Knob ..... 23</p> <p style="padding-left: 20px;">Friction (Manual choke type) ..... 127</p> <p>Cleaning and Flushing ..... 108</p> <p>Component Identification ..... 17</p> <p>Controls ..... 22</p> <p>Cooling Water Intake Port ..... 35</p> <p>Cruising</p> <p style="padding-left: 20px;">(H type) ..... 81</p> <p style="padding-left: 20px;">(R type) ..... 84</p> <p>Cruising in Shallows ..... 99</p> <p>Disposal ..... 138</p> <p>“EC DECLARATION OF CONFORMITY”</p> <p style="padding-left: 20px;">Content Outline ..... 154</p> <p>Emergency</p> <p style="padding-left: 20px;">Starting ..... 72</p> <p style="padding-left: 20px;">Stop Switch Lanyard</p> <p style="padding-left: 40px;">(H type) ..... 24</p> <p style="padding-left: 40px;">(R type) ..... 28</p>	<p>EMISSION CONTROL SYSTEM (for Bodensee-Lake type) ..... 126</p> <p>Engine</p> <p style="padding-left: 20px;">Cover Latch ..... 36</p> <p style="padding-left: 20px;">Oil</p> <p style="padding-left: 40px;">Change ..... 114</p> <p style="padding-left: 40px;">Level ..... 50</p> <p style="padding-left: 20px;">Protection System ..... 95</p> <p style="padding-left: 20px;">Start Button ..... 22</p> <p style="padding-left: 20px;">Stop Switch ..... 24</p> <p style="padding-left: 20px;">Switch ..... 27</p> <p>Fast Idle Lever ..... 29</p> <p>Fuel</p> <p style="padding-left: 20px;">Filler Cap Vent Knob ..... 38</p> <p style="padding-left: 20px;">Filter Check/Replacement ..... 122</p> <p style="padding-left: 20px;">Gauge ..... 38</p> <p style="padding-left: 20px;">Level ..... 52</p> <p style="padding-left: 20px;">Line</p> <p style="padding-left: 40px;">Connection ..... 59</p> <p style="padding-left: 40px;">Connector ..... 39</p> <p style="padding-left: 40px;">Removal ..... 103</p> <p style="padding-left: 20px;">Storage ..... 131</p> <p style="padding-left: 20px;">Tank and Tank Filter Cleaning ..... 125</p> <p style="padding-left: 20px;">Tank and Vent Knob ..... 58</p>
--	--



# INDEX

Gasoline Containing Alcohol .....	53	Outboard Motor	
Gear		Angle.....	43
Oil Check/Change .....	116	Attachment.....	41
Shifting		Overheat Warning	
(H type).....	80	Light/Buzzer .....	30
(R type).....	83	Power Tilt Switch .....	31
High Altitude Operation.....	99	Pre-Operation Checks .....	49
Installation .....	40	Propeller and Cotter Pin.....	55
Height .....	41	Propeller Change.....	128
Location.....	40	Remote Control	
Lubrication .....	121	Installation .....	48
Maintenance .....	110	Lever .....	26
Schedule .....	112	Friction.....	56
Major Honda Distributor Addresses.....	150	Removing/Installing Engine Cover.....	49
Manual Relief Valve.....	32, 92	Replacing the Fuse.....	128
Moorage		Safety .....	10
(G type).....	90	Information .....	10
(T type).....	93	Label Locations.....	13
Mooring.....	94	Servicing a Submerged Outboard Motor .....	129
Neutral Release Lever .....	27	Shift Lever .....	22
Oil Pressure Indicator		Spark Plug Service .....	117
Light .....	25	Specifications .....	141
Light/Buzzer.....	29	Starter Grip.....	22
Operation .....	80	Starting the Engine.....	58
(H type).....	80	(H type).....	61
(R type).....	83	(R type).....	67
Other Checks .....	57	Steering .....	81

Steering Handle Friction..... 56

Stopping the Engine ..... 100

    (H type)..... 100

    (R type)..... 102

Storage..... 131

    Position of the Outboard Motor..... 137

Tachometer (optional equipment) ..... 30

Throttle

    Friction Dial ..... 24

    Grip..... 23

Tilt

    Lever

        (G type) ..... 33

        (Manual tilt type)..... 34

    Lock Lever ..... 34

Tilting the Outboard Motor

    (Common) ..... 85

    (Manual tilt type)..... 86

    (G type)..... 88

    (T type) ..... 91

Tool Kit and Spare Parts..... 111

Trailerling ..... 107

Transom Angle Adjusting Rod..... 37

Transom Height ..... 40

Transporting ..... 103

Troubleshooting..... 139

    Starting Problems ..... 79

“UK DECLARATION OF CONFORMITY”

    Content Outline..... 153

Water Check Hole..... 35

    With Water Hose Joint (Optional part)..... 108

    Without Water Hose Joint..... 109

---

**MEMO**

---

**MEMO**

---

**MEMO**

# HONDA

32ZY0638  
00X32-ZY0-6380



英 (AB) 0000.00AA.AA  
Printed in Japan