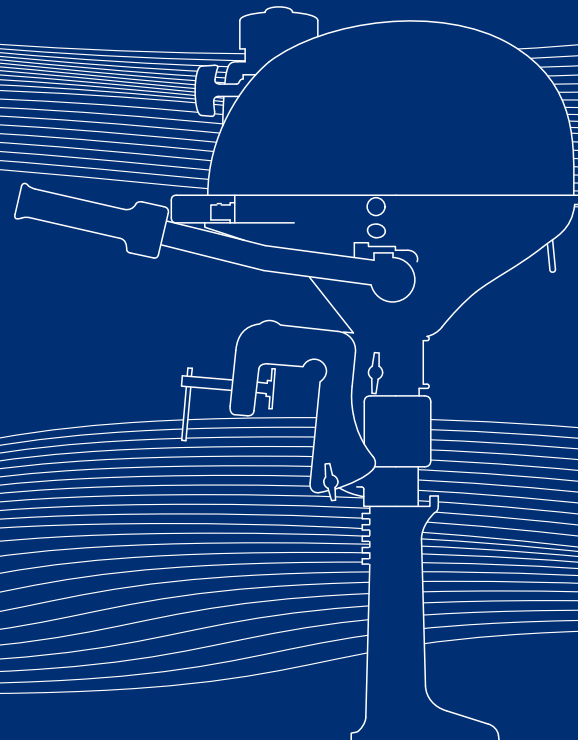




# Owner`s Manual BF2.3DH



Original instructions

---

Thank you for purchasing a Honda Outboard Motor.

This manual covers operation and maintenance of the Honda BF2.3D Outboard Motor.

All information in this publication is based on the latest product information available at the time of approval for printing.

Honda Motor Co., Ltd. reserves the right to make changes at any time without notice and without incurring any obligation.

No part of this publication may be reproduced without written permission.

This manual should be considered a permanent part of the Outboard Motor and should remain with it if it is resold.

Throughout this manual, you will see safety messages preceded by the following words and symbols. Here's what they mean:

**▲ DANGER**

**Indicates serious injury or death WILL result if instructions are not followed.**

**▲ WARNING**

**Indicates a strong possibility that serious personal injury or death may result if instructions are not followed.**

**▲ CAUTION**

**Indicates a possibility that personal injury or equipment damage could result if instructions are not followed.**

**NOTICE**

**Indicates that equipment or property damage could result if instructions are not followed.**

**NOTE:** Gives helpful information.

If a problem should arise, or if you have any questions about the Outboard Motor, consult an authorized Honda Outboard Motor dealer.

**▲ WARNING**

**Honda Outboard Motors are designed to give safe and dependable service if operated according to instructions. Read and understand the Owner's Manual before operating the Outboard Motor. Failure to do so could result in personal injury or equipment damage.**

- The illustration may vary according to the type.

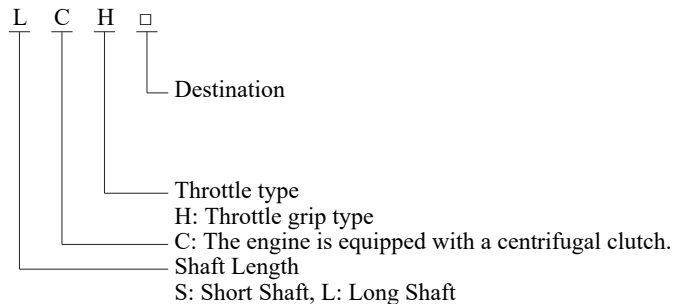
Honda Motor Co., Ltd. 2020, All Rights Reserved

Model		BF2.3D	
Type		SCH□	LCH□
Shaft length	Short	•	
	Long		•
Throttle type	Grip	•	•
Centrifugal clutch		•	•

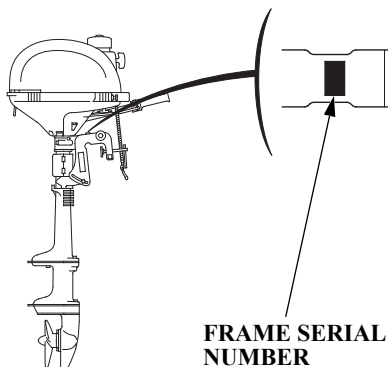
**NOTE:** Note that the types of the outboard motor differ according to the countries where they are sold.

BF2.3D is provided with the following types according to the shaft length.

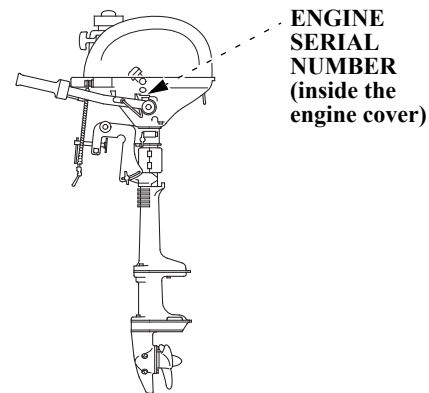
TYPE CODE  
Example



Check the type of your outboard motor and read this Owner's Manual thoroughly before operation. Texts with no type indication are the information and/or procedures common to all types.



Record the frame and engine serial numbers for your reference. Refer to the serial numbers when ordering parts, and when making technical or warranty inquiries.



The frame serial number is stamped on a plate attached on the upper part of the swivel case.  
The engine serial number is stamped on a plate attached on the clutch housing.

Frame serial number:

---

Engine serial number:

---

# CONTENTS

---

1. SAFETY .....	6	Outboard Motor Angle (Cruising) .....	20
Safety Information .....	6	6. PRE-OPERATION CHECKS .....	22
2. SAFETY LABEL LOCATIONS .....	8	Removing/Installing Engine Cover .....	22
CE mark location .....	9	Engine Oil Level .....	23
3. COMPONENT IDENTIFICATION .....	10	Fuel Level .....	25
4. CONTROLS .....	11	Gasoline Containing Alcohol .....	26
Starter Grip .....	11	Other Checks .....	27
Choke Knob .....	11	7. STARTING THE ENGINE .....	28
Emergency Stop Switch .....	11	Starting the Engine .....	28
Throttle Grip .....	12	Emergency Starting .....	32
Throttle Grip Friction Knob .....	13	Troubleshooting Starting Problems .....	34
Fuel Valve Lever .....	13	8. OPERATION .....	35
Oil Level Inspection Window .....	13	Operation .....	35
Emergency Stop Switch Lanyard/Clip .....	14	Tilting the Outboard Motor .....	38
Tilt Lever .....	15	Shallow Water Operation .....	40
Anode Metal .....	15	High Altitude Operation .....	40
Engine Cover Retaining Strap .....	16	9. STOPPING THE ENGINE .....	41
Steering Friction Bolt .....	16	10. TRANSPORTING .....	43
Transom Angle Adjusting Bolt and Wing Nut .....	16	Transporting .....	43
Fuel Filler Cap Vent Knob .....	17	Trailing .....	46
Clamp Screws .....	17	11. CLEANING AND FLUSHING .....	47
5. INSTALLATION .....	18		
Transom Height .....	18		
Location .....	18		
Installation Height .....	19		
Outboard Motor Attachment .....	20		

12. MAINTENANCE .....	48
Tool Kit and Spare Parts .....	49
MAINTENANCE SCHEDULE .....	50
Engine Oil Change .....	52
Gear Oil Change .....	53
Starter Rope Check .....	54
Spark Plug Service .....	55
Lubrication .....	57
Shear Pin Change .....	58
Servicing a Submerged Outboard Motor .....	59
13. STORAGE .....	61
Fuel .....	61
Draining the Gasoline .....	62
Engine Oil .....	63
Storage Position of the Outboard Motor .....	63
14. DISPOSAL .....	65
15. TROUBLESHOOTING .....	66
16. SPECIFICATIONS .....	68
17. MAJOR Honda DISTRIBUTOR ADDRESSES .....	70
18. “UK DECLARATION OF CONFORMITY” CONTENT OUTLINE .....	73
19. “EC DECLARATION OF CONFORMITY” CONTENT OUTLINE .....	74
20. INDEX .....	Inside before back cover

# 1. SAFETY

## SAFETY INFORMATION

For your safety and the safety of others, pay special attention to these precautions.

### Operator Responsibility



- **Honda outboard motor is designed to give safe and dependable service if operated according to instructions. Read and understand the Owner's Manual before operating the outboard motor. Failure to do so could result in personal injury or equipment damage.**



- **The engine system will be heated during operation and remain hot immediately after stopping the engine.**



**Moving parts can injure you. Install the engine cover after emergency starting the engine. Do not operate the outboard motor without the engine cover.**

- Know how to stop the engine quickly in case of emergency. Understand the use of all controls.
- Do not exceed the boat manufacturer's power recommendation, and be sure that the outboard motor is properly mounted.
- Never permit anyone to operate the outboard motor without proper instruction.
- Stop the engine immediately if anyone falls overboard.
- Do not run the engine while the boat is near anyone in the water.
- Attach the emergency stop switch lanyard securely to the operator.
- Before operating the outboard motor, familiarize yourself with all laws and regulations relating to boating and the use of outboard motors.

- Do not attempt to modify the outboard motor.
- Always wear a life-jacket when on board.
- Do not operate the outboard motor without the engine cover. Exposed moving parts can cause injury.
- Do not remove any guards, labels, shields, covers or safety devices; they are installed for your safety.

## **Fire and Burn Hazards**

Gasoline is extremely flammable, and gasoline vapor can explode. Use extreme care when handling gasoline. **KEEP OUT OF REACH OF CHILDREN.**

- Refuel in a well-ventilated area with the engine stopped. Keep flames and sparks away, and do not smoke in the area.

- Refuel carefully to avoid spilling fuel. Avoid overfilling the fuel tank (there should be no fuel in the filler neck). After refueling, tighten the fuel filler cap securely. If any fuel is spilled, make sure the area is dry before starting the engine.

The engine and exhaust system become very hot during operation and remain hot for a while after stopping. Contact with hot engine components can cause burns and may ignite some materials.

- Avoid touching a hot engine or exhaust system.
- Allow the engine to cool before performing maintenance or transporting.

## **Carbon Monoxide Poisoning Hazard**

Exhaust contains poisonous carbon monoxide, a colorless and odorless gas. Breathing exhaust can cause loss of consciousness and may lead to death.

- If you run the engine in an area that is confined, or even partially enclosed, the air can become contaminated with a dangerous amount of exhaust gas. To keep exhaust gas from building up, provide adequate ventilation.



## 2. SAFETY LABEL LOCATIONS

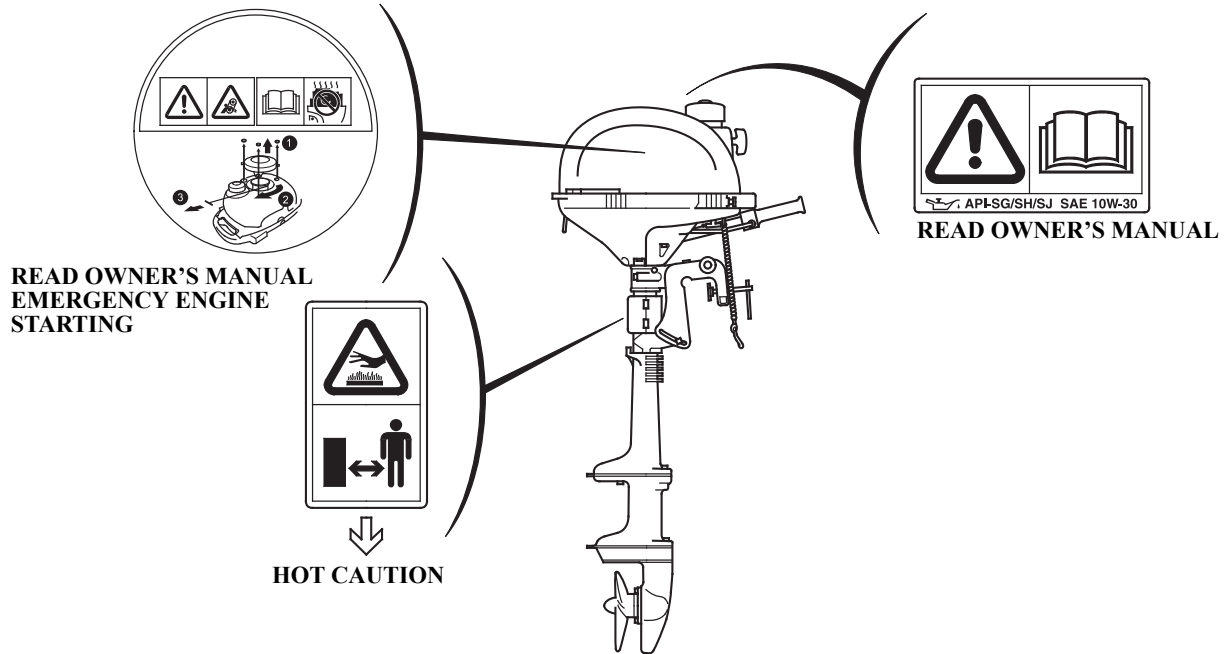
---

### [Equipped type]

These labels warn you of potential hazards that can cause serious injury.

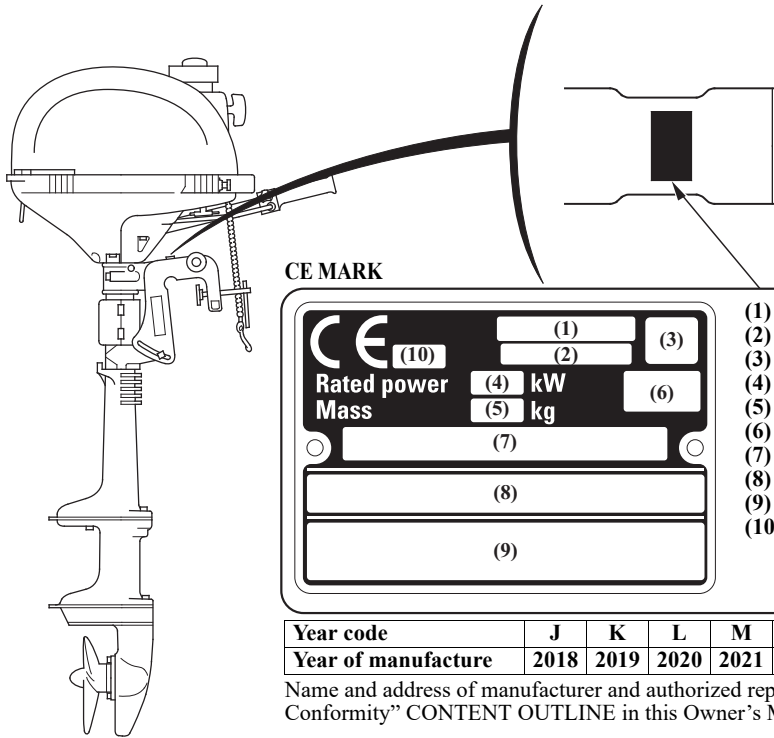
Read the labels and safety notes and precautions described in this manual carefully.

If a label comes off or becomes hard to read, contact your outboard motor dealer for a replacement.

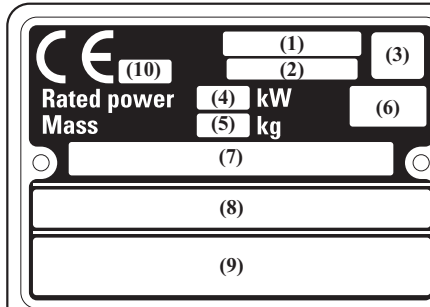


# SAFETY LABEL LOCATIONS

## CE mark location [SCHU and LCHU types]



### CE MARK

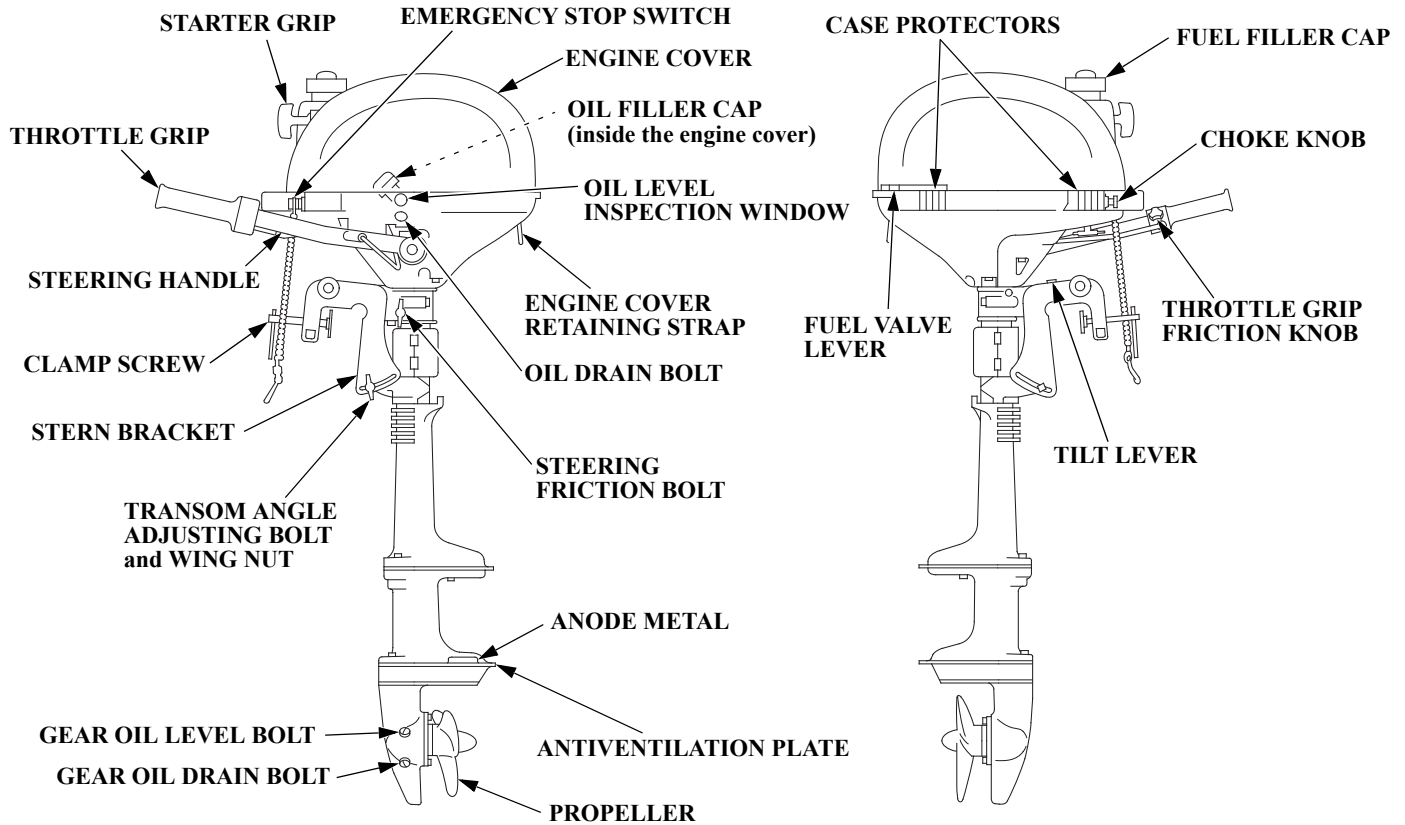


- (1) Model name
- (2) Engine family name
- (3) Year code
- (4) Rated power
- (5) Dry mass (weight) (with propeller)
- (6) Country of manufacture
- (7) Frame number
- (8) Manufacture and address
- (9) Name and address of authorized representative
- (10) The identification number of the notified body

<b>Year code</b>	<b>J</b>	<b>K</b>	<b>L</b>	<b>M</b>	<b>N</b>	<b>P</b>
<b>Year of manufacture</b>	<b>2018</b>	<b>2019</b>	<b>2020</b>	<b>2021</b>	<b>2022</b>	<b>2023</b>

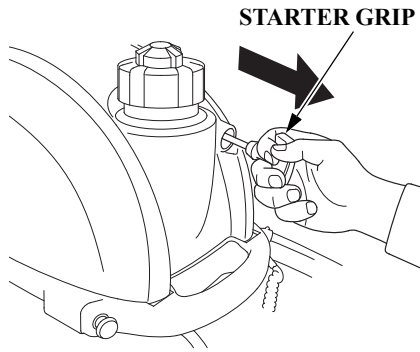
Name and address of manufacturer and authorized representative are written in the “Declaration of Conformity” CONTENT OUTLINE in this Owner’s Manual.

### 3. COMPONENT IDENTIFICATION



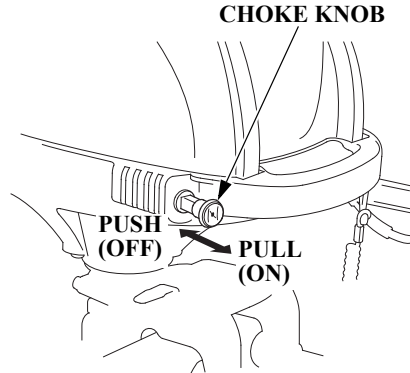
## 4. CONTROLS

### Starter Grip



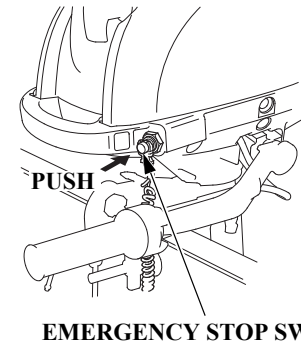
Use the starter grip to start the engine.

### Choke Knob



When the engine is cold, pull the choke knob to start easily. Rich fuel mixture is provided to the engine by pulling the choke knob.

### Emergency Stop Switch



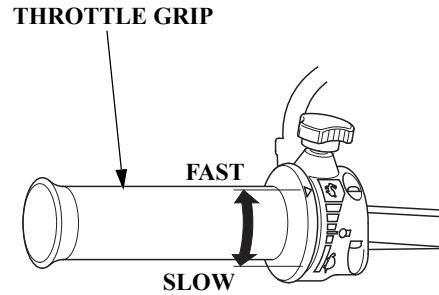
Press the emergency stop switch to stop the engine.

# CONTROLS

---

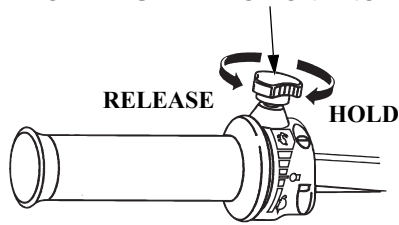
## Throttle Grip

Move the throttle grip in the directions shown to make the engine run faster or slower.



## Throttle Grip Friction Knob

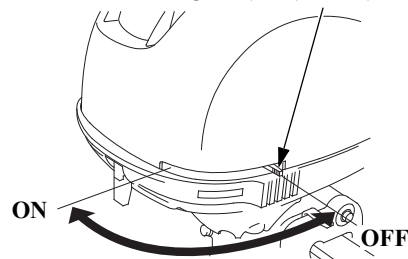
### THROTTLE GRIP FRICTION KNOB



Use the throttle grip friction knob to cruise at a certain constant speed. Turning the throttle grip friction knob clockwise fixes the throttle grip in the place, and it is released by turning the throttle grip friction knob counterclockwise.

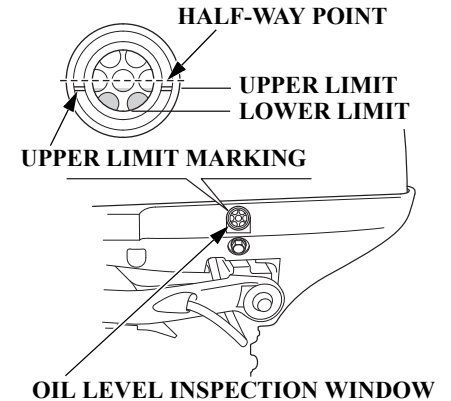
## Fuel Valve Lever

### FUEL VALVE LEVER



Turn the fuel valve lever to the ON to open the fuel valve for the engine to run.

## Oil Level Inspection Window

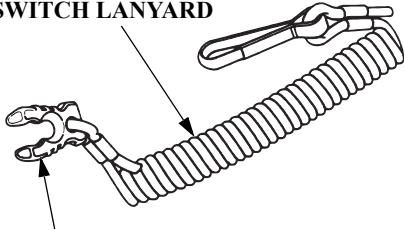


Use the oil level inspection window to check the engine oil level with the engine stopped and the outboard motor in the upright position.

# CONTROLS

## Emergency Stop Switch Lanyard/ Clip

EMERGENCY STOP  
SWITCH LANYARD

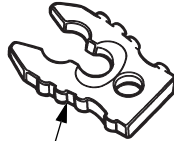


EMERGENCY STOP SWITCH CLIP

The emergency stop switch lanyard is provided to stop the engine immediately when the operator falls overboard or away from the outboard motor.

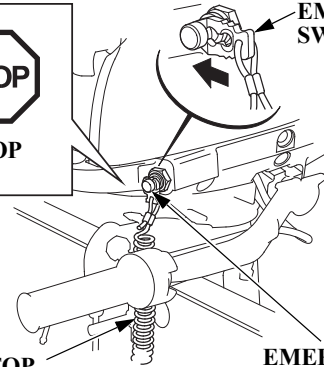
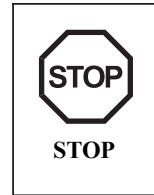
The engine stops when the clip at the end of the emergency stop switch lanyard is pulled out of the emergency stop switch.

When operating the outboard motor, be sure to attach one end of the emergency stop switch lanyard securely to the operator.



SPARE EMERGENCY STOP  
SWITCH CLIP

EMERGENCY STOP  
SWITCH LANYARD



EMERGENCY STOP  
SWITCH CLIP

EMERGENCY  
STOP SWITCH

### **▲WARNING**

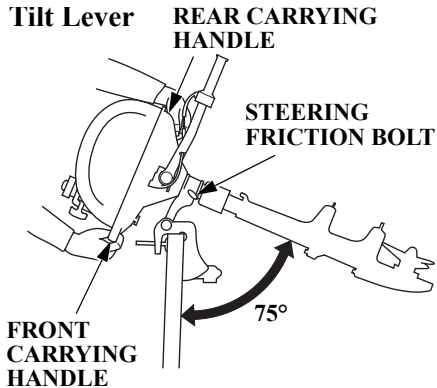
**If the emergency stop switch lanyard is not set, the boat might run out of control when the operator, for example, falls overboard and is not able to operate the outboard motor.**

For the sake of the operator's and the passengers' safety, be sure to set the emergency stop switch clip located at one end of the emergency stop switch lanyard with the emergency stop switch. Attach the other end of

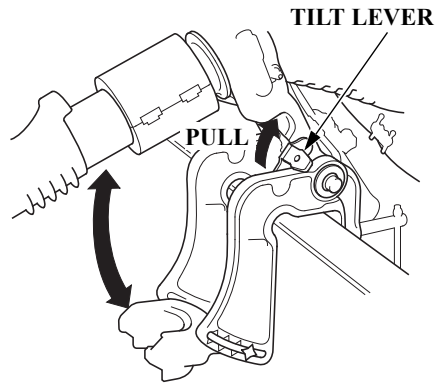
the emergency stop switch lanyard securely to the operator.

### **NOTE:**

The engine does not start unless the emergency stop switch clip is set on the emergency stop switch. A spare emergency stop switch clip is provided in the tool bag.

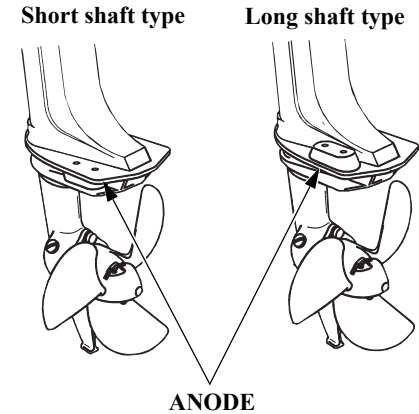


Use the tilt lever to tilt the outboard motor for shallow water operation, beaching, launching, or mooring. Tilt the outboard motor by holding the carrying handles, as shown. The spring-loaded tilt lever will automatically move into position and hold the outboard motor when it reaches approximately 75°.



To return the outboard motor to the normal running position, hold the outboard motor and pull the tilt lever, then slowly lower the outboard motor.

## Anode Metal

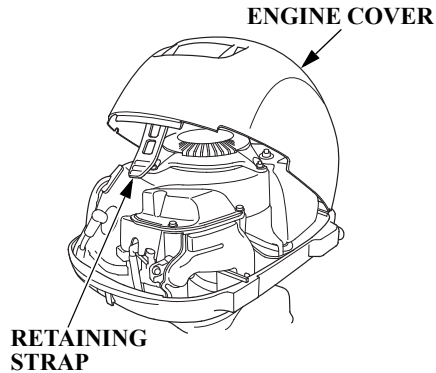


The anode metal is a sacrificed metal which protects the outboard motor from corrosion.



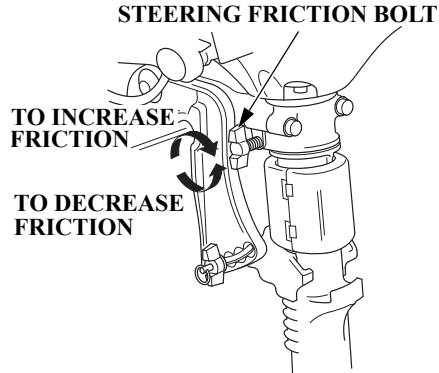
# CONTROLS

## Engine Cover Retaining Strap



Use the retaining strap to hold the engine cover closed. Do not remove the engine cover while the engine is running.

## Steering Friction Bolt

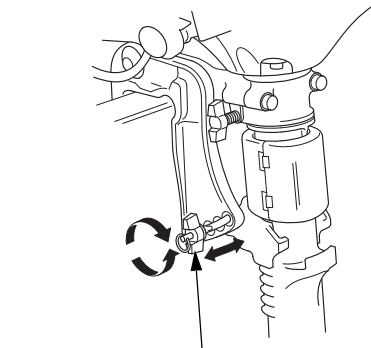


The steering friction bolt adjusts steering resistance.

Turn the bolt clockwise to increase friction for holding a steady course while cruising or to prevent the outboard motor from swinging while trailering the boat.

Turn the bolt counterclockwise to reduce steering friction.

## Transom Angle Adjusting Bolt and Wing Nut

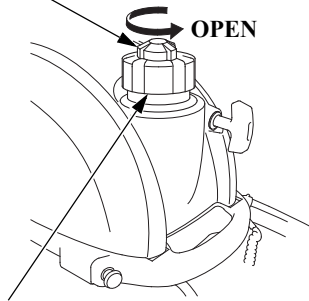


### ADJUSTING BOLT AND WING NUT

Use the adjusting bolt to adjust the outboard motor angle in the normal operating position. The outboard motor angle can be adjusted to the four angles by changing the adjusting bolt position.

## Fuel Filler Cap Vent Knob

### FUEL FILLER CAP VENT KNOB



### FUEL FILLER CAP

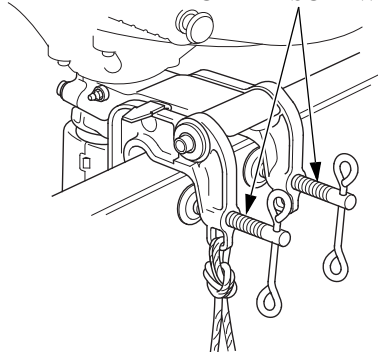
The fuel filler cap vent knob shuts off the fuel tank from the open air. Before operating the outboard motor, turn the fuel filler cap vent knob 2 or 3 turns counterclockwise to open the vent.

When refilling the fuel tank, turn the fuel filler cap vent knob counterclockwise to open and remove the fuel filler cap.

Turn the fuel filler cap vent knob clockwise and close it securely before transporting or storing the outboard motor.

## Clamp Screws

### CLAMP SCREWS



Use the clamp screws to secure the stern brackets to the transom.

## 5. INSTALLATION

### NOTICE

**Improperly installed outboard motor can result in the outboard motor dropped into the water, boat not able to cruise straight ahead, engine speed not increase, and much fuel consumption.**

We recommend that the outboard motor be installed by an authorized outboard motor dealer. Consult the authorized Honda dealer in your area for the Y-OP (User Optional Parts)/equipments installation and operation.

### Applicable Boat

Select the boat suitable for the engine power:

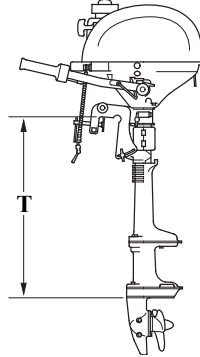
BF2.3D: 1.7 kW (2.3 PS)

Power recommendation is indicated on most of the boats.

### ▲WARNING

**Do not exceed the boat manufacturer's power recommendation. Damage and injury may result.**

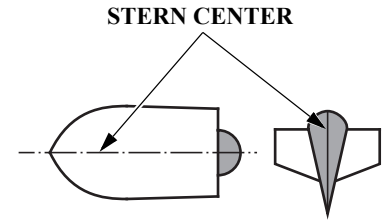
### Transom Height



Type:	T (Outboard Motor Transom Height)
S:	418 mm (16.5 in)
L:	571 mm (22.5 in)

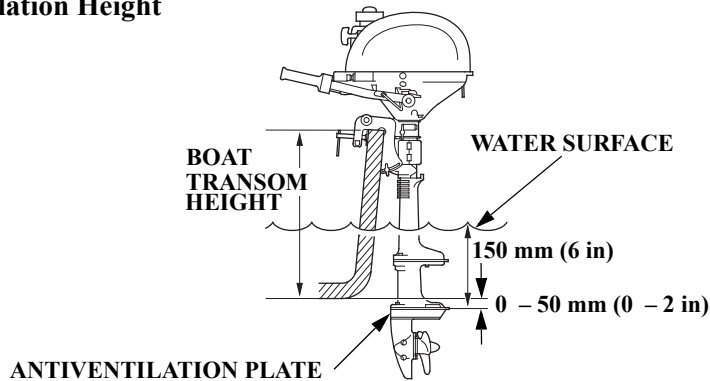
Select the outboard motor which is correct for the boat transom height of your boat.

### Location



Install the outboard motor at the stern, at the center line of the boat.

## Installation Height



With the boat in the water, properly loaded, and the engine stopped, check the installed depth of the outboard motor by looking at the antiventilation plate.

The antiventilation plate of the outboard motor should be 0 – 50 mm (0 – 2 in) below the bottom of the boat.

The antiventilation plate should be at least 150 mm (6 in) below the surface of the water.

The correct dimensions differ according to the type of the boats and the configuration of the bottom of the boats. Follow the manufacture's recommended installation height.

If the outboard motor is installed too low, the boat will squat and be hard to plane, and the engine will spray water that may enter the boat. It will tend to porpoise, and high-speed stability will be reduced.

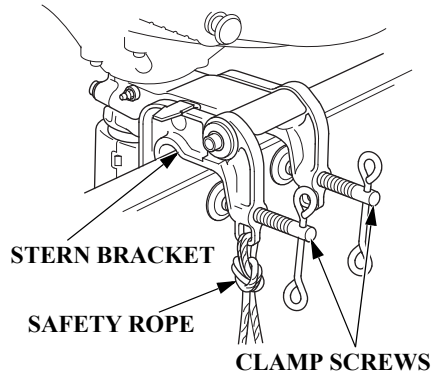
If the outboard motor is installed too high, that will cause propeller ventilation.

### NOTICE

**When the outboard motor is installed extremely low, water may enter into the engine under case and negatively affect the performance and durability. When installing, check that the outboard motor is high enough from the water level to keep the engine under case from waves, splash, etc. when the engine is stopped with the boat fully loaded.**

# INSTALLATION

## Outboard Motor Attachment



Attach the stern bracket to the transom and tighten the clamp screws.

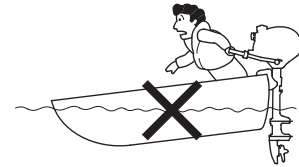
### NOTICE

- While operating the boat, check the tightness of the clamp screws occasionally.
- Tie a rope through the hole in the stern bracket and secure the other end of the rope to the boat. This will prevent accidental loss of the outboard motor.

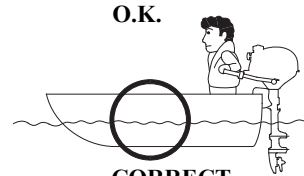
## Outboard Motor Angle (Cruising)



**INCORRECT**  
CAUSES BOAT TO “SQUAT”



**INCORRECT**  
CAUSES BOAT TO “PLOW”



**O.K.**  
**CORRECT**  
GIVES MAXIMUM PERFORMANCE

Install the outboard motor at the best trim angle for stable cruising and maximum power.

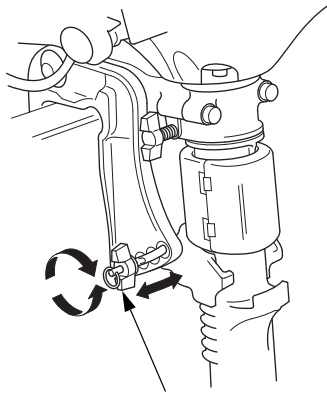
Trim angle too large: Incorrect causes boat to “squat”.

Trim angle too small: Incorrect causes boat to “plow” (Sprayed water may enter the boat).

The trim angle differs according to the combination of the boat, outboard motor, and propeller, and the operating conditions.

## <Outboard Motor Angle Adjustment>

Adjust the outboard motor so that it is perpendicular to the water surface (i.e. axis of the propeller is parallel with the water surface).



### ADJUSTING BOLT AND WING NUT

1. Loosen the wing nut to free the adjusting bolt.
2. Adjust the angle of the outboard motor, and tighten the wing nut. Be sure that the bolt head and wing nut are seated in one of the four recesses on the adjustment slot.

#### NOTICE

**To prevent damage to the outboard motor or boat, make sure the adjusting bolt is locked.**

## 6. PRE-OPERATION CHECKS

The BF2.3D is the 4-stroke, forced air cooled outboard motor which uses automotive unleaded gasoline with a Research Octane Number of 91 or higher (a Pump Octane Number of 86 or higher) for fuel. It also requires the engine oil.

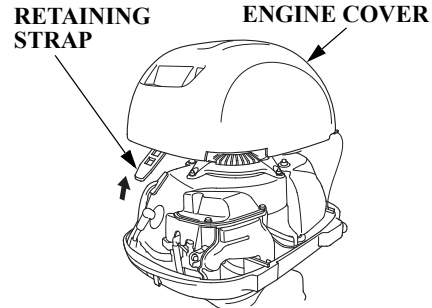
Check the following before operating the outboard motor.

### ▲ CAUTION

**Perform the following pre-operation checks with the engine stopped.**

Before each use, look around and underneath the engine for signs of oil or gasoline leaks.

### Removing/Installing Engine Cover



Use the retaining strap to hold the engine cover closed or remove the engine cover.

### ▲ WARNING

**Do not operate the outboard motor without the engine cover. Exposed moving parts can cause injury.**

# PRE-OPERATION CHECKS

## Engine Oil Level

### NOTICE

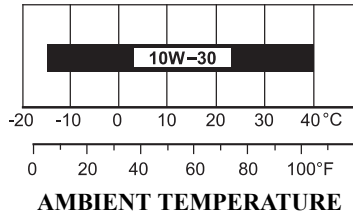
- **Engine oil is a major factor affecting engine performance and service life. Nondetergent and low quality oils are not recommended, because they have inadequate lubricating properties.**
- **Running the engine with insufficient oil can cause serious engine damage.**

### NOTE:

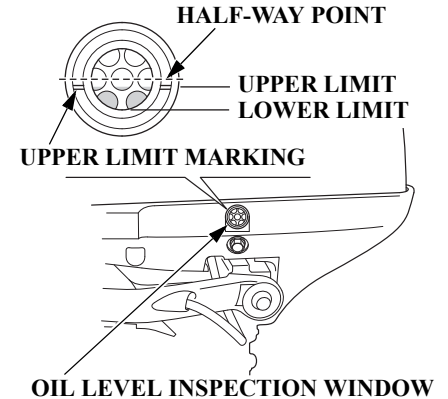
To avoid incorrect gauging of the engine oil level, inspect the oil level when the engine has cooled.

### <Recommended oil>

Use Honda 4-stroke oil or an equivalent high detergent, premium quality outboard motor oil certified to meet or exceed U.S. automobile manufacturer's requirements for Service category SG, SH or SJ. Outboard motor oils category SG, SH or SJ will show this designation on the container. SAE 10W-30 is recommended for general, all-temperature use.



### <Inspection and Refilling>



1. Position the outboard motor vertically and level, and check the oil level in the oil level inspection window.
2. If the oil level is down toward the lower level mark on the window, fill up to the upper level mark (see page 52).



# PRE-OPERATION CHECKS

## NOTICE

**Do not overfill the engine oil. Check the engine oil after refilling. Excessive engine oil as well as the insufficient oil could cause damage to the engine.**

When you check the oil level in the oil level inspection window, you might notice the engine oil appears milky or the oil level has increased. If you notice either condition, change the engine oil. See the following table for an explanation of these conditions.

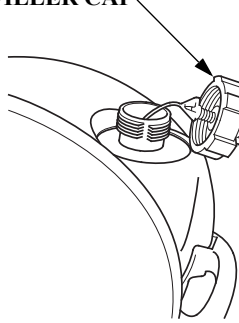
Operating Method	Result	Effect
Running the engine below 3,000 min <sup>-1</sup> (rpm) for more than 30% of the time so the engine does not warm up.	<ul style="list-style-type: none"><li>• Water condenses in the engine and mixes with the oil, resulting in a milky appearance.</li></ul>	The engine oil deteriorates, becomes less efficient as a lubricant, and causes an engine malfunction.
Frequent starting and stopping without allowing the engine to warm up.	<ul style="list-style-type: none"><li>• Unburned fuel mixes with the oil, increasing the volume of oil.</li></ul>	

# PRE-OPERATION CHECKS

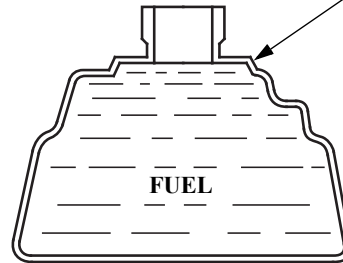
## Fuel Level

FUEL FILLER CAP

FUEL FILLER CAP  
VENT KNOB



FUEL TANK



Remove the fuel filler cap and check the fuel level. Refill the tank if the fuel level is low.

### NOTE:

Open the fuel filler cap vent knob before removing the fuel filler cap. When the fuel filler cap vent knob is firmly closed, the fuel filler cap will be difficult to remove.

After refueling, be sure to tighten the fuel filler cap firmly.

Use unleaded gasoline with a Research Octane Number of 91 or higher (a Pump Octane Number of 86 or higher). Use of leaded gasoline may cause damage to the engine.

Never use gasoline that is stale, contaminated, or mixed with oil. Avoid getting dirt, dust or water in the fuel tank.

### FUEL TANK CAPACITY:

1.1 L (0.29 US gal, 0.24 Imp gal)

### ▲WARNING

- Gasoline is extremely flammable and is explosive under certain conditions.
- Refuel in a well-ventilated area with the engine stopped.
- Do not smoke or allow flames or sparks in the area where the engine is refueled or where gasoline is stored.
- Do not overfill the fuel tank (there should be no fuel in the filler neck). After refueling, make sure the fuel filler cap is closed properly and securely.
- Be careful not to spill fuel when refueling. Spilled fuel or fuel vapor may ignite. If any fuel is spilled, make sure the area is dry before starting the engine.
- Avoid repeated or prolonged contact with skin or breathing of vapor.
- **KEEP OUT OF REACH OF CHILDREN.**

## PRE-OPERATION CHECKS

---

### **GASOLINE CONTAINING ALCOHOL**

If you decide to use a gasoline containing alcohol (gasohol), be sure its octane rating is at least as high as that recommended by Honda. There are two types of “gasohol” : one containing ethanol, and the other containing methanol.

Do not use gasohol that contains more than 10% ethanol.

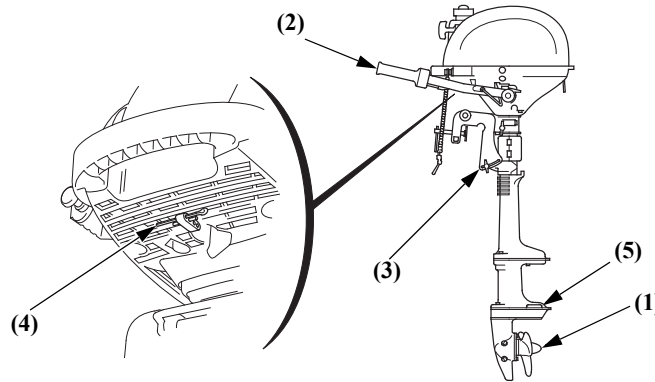
Do not use gasoline containing more than 5% methanol (methyl or wood alcohol) and that does not also contain co-solvents and corrosion inhibitors for methanol.

### **NOTE:**

- Fuel system damage or engine performance problems resulting from the use of gasoline that contains more alcohol than recommended is not covered under the warranty.
- Before buying gasoline from an unfamiliar station, first determine if the gasoline contains alcohol, if it does, find out the type and percentage of alcohol used. If you notice any undesirable operating symptoms while using a particular gasoline. Switch to a gasoline that you know contains less than the recommended amount of alcohol.

# PRE-OPERATION CHECKS

## Other Checks



### Check the following items:

- (1) The propeller and cotter pin for damage or looseness.
- (2) The steering handle for impaired operation.
- (3) The stern bracket for damage and looseness.
- (4) The tool kit for missing spare parts and tools (page 49).
- (5) The anode metal for damage, looseness or excessive corrosion.

The anode metal helps to protect the outboard motor from corrosion damage; it must be exposed directly to the water whenever the outboard motor is in use. Replace the anode when it has been reduced to about two-thirds of the original size, or if it is crumbling.

### NOTICE

**The possibility of corrosion damage is increased if the anode metal is painted over or allowed to deteriorate.**

Parts/materials which should be installed on board:

- Owner's Manual
- Tool kit
- Spare spark plugs, engine oil, propeller and cotter pins.
- Required information regarding boating laws and regulations.

## 7. STARTING THE ENGINE

### Starting the Engine

#### **▲WARNING**

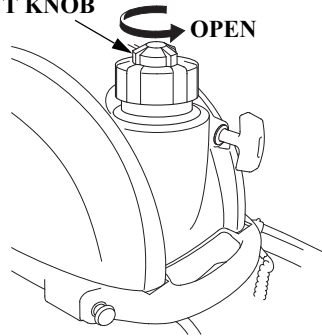
Exhaust contains poisonous carbon monoxide which can cause unconsciousness and may lead to death.

Never run the outboard motor in a closed garage or confined area.

#### **NOTICE**

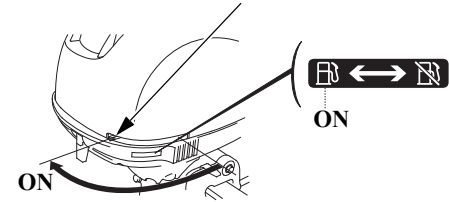
The propeller must be lowered into the water, running the outboard motor out of the water will damage the outboard motor.

FUEL FILLER CAP  
VENT KNOB



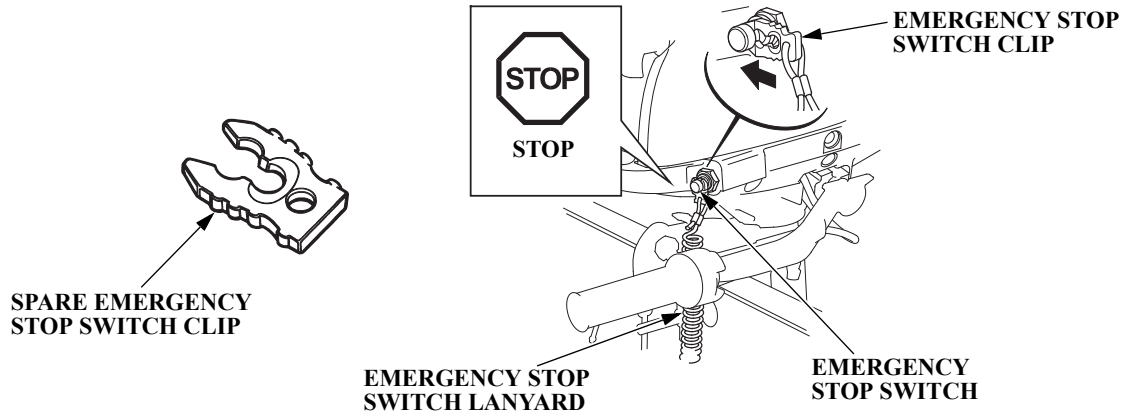
1. Open the fuel filler cap vent knob 2 to 3 turns.

FUEL VALVE LEVER



2. Turn the fuel valve lever to the ON.

# STARTING THE ENGINE



- Engage the emergency stop switch clip located at one end of the emergency stop switch lanyard with the emergency stop switch. Attach the other end of the emergency stop switch lanyard securely to the operator.

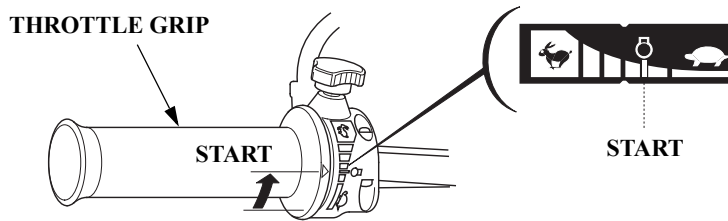
## **▲WARNING**

**If the operator does not attach the emergency stop switch lanyard, and is thrown from his seat or out of the boat, the out-of-control boat can seriously injure the operator, passengers, or bystanders. Always properly attach the lanyard before starting the engine.**

## **NOTE:**

- The engine will not start unless the emergency stop switch clip is engaged with the emergency stop switch.
- A spare emergency stop switch clip is provided in the tool bag.

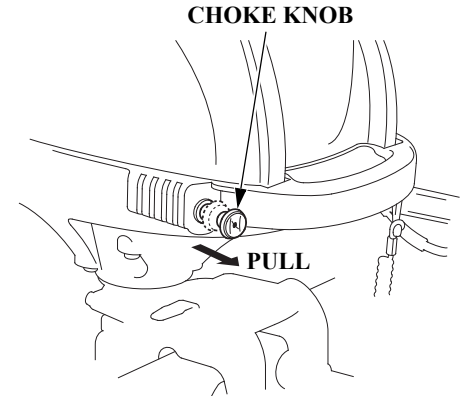
# STARTING THE ENGINE



4. Move the throttle grip to the START position.

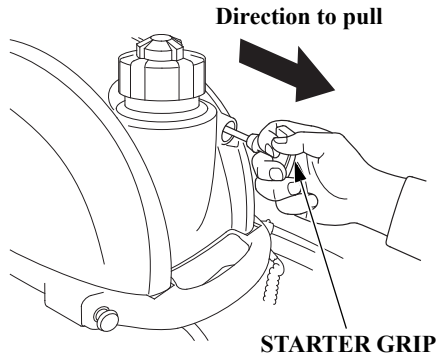
**▲ CAUTION**

**Do not start the engine with the throttle grip in any position other than the START position, or the boat will move suddenly when the engine starts.**



5. When the engine is cold or ambient temperature is low, pull the choke knob to the ON position. (It provides rich fuel mixture to the engine.)

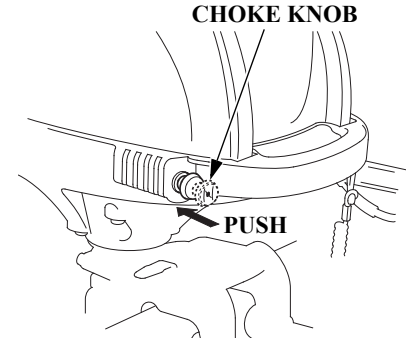
## STARTING THE ENGINE



6. Pull the starter grip lightly until you feel resistance, then pull briskly in the direction of the arrow as shown above.

### NOTICE

- Do not allow the starter grip to snap back against the engine. Return it gently to prevent damage to the starter.
- Do not pull the starter grip while the engine is running, as that may damage the starter.
- Before pulling the starter grip position the outboard motor straight.



- If the engine fails to start, check the emergency stop switch clip.
7. If the choke was used, push it in gradually as the engine warms up.

During operation, check to be sure the antiventilation plate remains underwater at all times. Excessive or imbalanced loading will affect the outboard motor's water depth. Loading too far forward will raise the outboard motor out of the water, reducing engine cooling. Loading too much or too far rearward will push the outboard motor deeper, reducing performance.

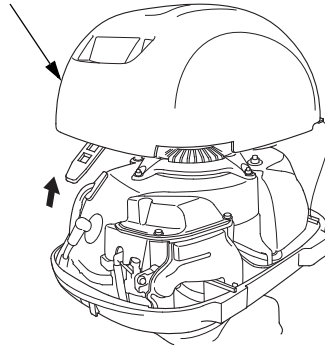


# STARTING THE ENGINE

## Emergency Starting

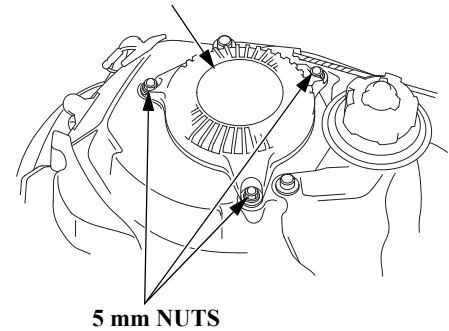
If the recoil starter does not operate properly for some reasons, the engine can be started using the emergency starter rope that came with your outboard motor.

**ENGINE COVER**



1. Remove the engine cover.

**RECOIL STARTER**

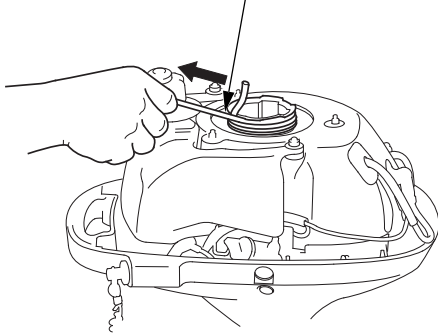


2. Remove the recoil starter by removing the three 5 mm nuts.

**NOTE:**

Take care not to lose the nuts.

### EMERGENCY STARTER ROPE



3. Wind the emergency starter rope clockwise around the pulley, and then pull it straight out to start the engine.

#### **▲WARNING**

**Keep clear of moving parts.**

4. Leave the recoil starter off and reinstall the engine cover.

#### **▲WARNING**

**Exposed moving parts can cause injury. Use extreme care when installing the engine cover. Do not operate the outboard motor without the engine cover.**

5. Attach the emergency stop switch lanyard securely to the operator and return to the closest boat landing.
6. After returning to the closest boat landing, contact your closest authorized outboard motor dealer and perform the following.
  - Have the starting system and electrical system checked.
  - Have your dealer reassemble the parts removed in the emergency starting procedure.

# STARTING THE ENGINE

---

## Troubleshooting Starting Problems

SYMPTOM	POSSIBLE CAUSE	REMEDY
The engine does not start.	Emergency stop switch clip is not engaged.	Engage the emergency stop switch clip. (page 29)
	Throttle grip is not in the START position.	Move the throttle grip to the START position. (page 30)
	Out of fuel.	Supply fuel. (page 24)
	Fuel valve is not opened.	Move the fuel valve lever to the ON position. (page 28)
	Fuel filler cap vent knob not open.	Open fuel filler cap vent knob. (page 28)
	Fuel is not reaching the carburetor.	Loosen the carburetor drain screw to see if there is fuel in the carburetor float bowl. (page 62)
	Engine flooded.	Clean and dry spark plug. (page 55)
	Plug cap is not installed properly.	Install plug cap securely. (page 56)

## 8. OPERATION

### Operation

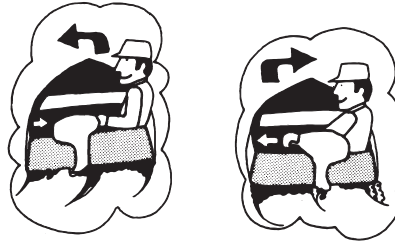
#### Break-in Procedure

Break-in operation allows the mating surfaces of the moving parts to wear evenly and thus ensures proper performance and longer outboard motor life.

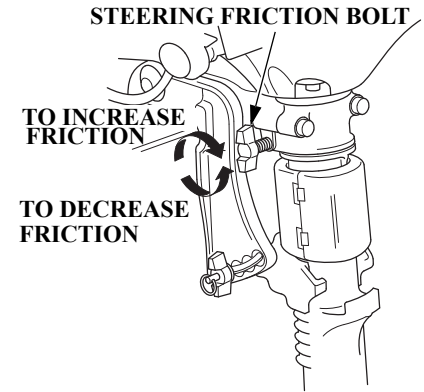
Break-in your new outboard motor as follows.

For the first 10 hours of operation, run the outboard motor at low speed, avoid prolonged full-throttle speed, and avoid abrupt operation of the throttle.

### 1. Steering



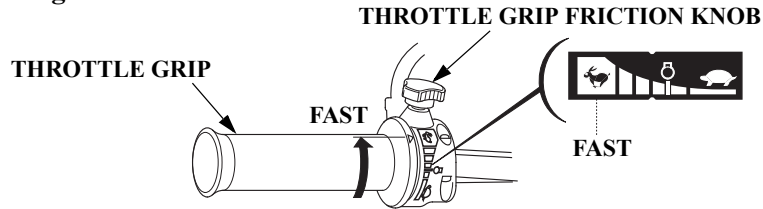
To change the direction of the boat to the right, swing the steering handle to the left. To turn to the left, swing the steering handle to the right.



For smooth steering, adjust the steering friction bolt so that a slight drag is felt when turning.

# OPERATION

## 2. Cruising



Move the throttle grip toward FAST to increase speed.

For normal cruising, open the throttle about 1/2.

To hold the throttle grip at a steady setting, turn the throttle grip friction knob clockwise. To free the throttle grip for manual speed control, turn the throttle grip friction knob counterclockwise.

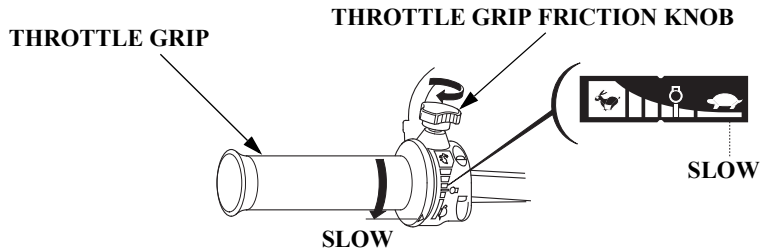
### ⚠ CAUTION

**Do not operate without the engine cover. Exposed moving parts could cause injury; water may damage the engine.**

### NOTE:

For best performance, passengers and equipment should be distributed evenly to balance the boat.

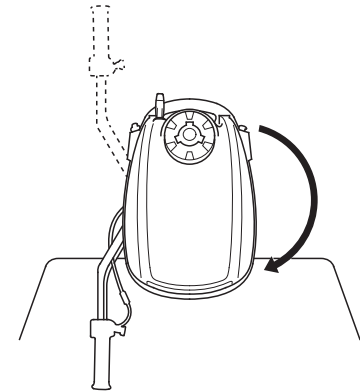
## 3. Reversing the Outboard Motor



1. Move the throttle grip to the SLOW position and hold it there by turning the throttle grip friction knob clockwise.

### NOTICE

**Before rotating the outboard motor (from either forward to reverse or from reverse to forward) reduce the engine speed to SLOW, or the boat could capsize.**



2. To reverse direction, turn the outboard motor 180° and then pivot the tiller handle as shown. Be careful not to hold and move the throttle grip when pivoting the tiller handle.

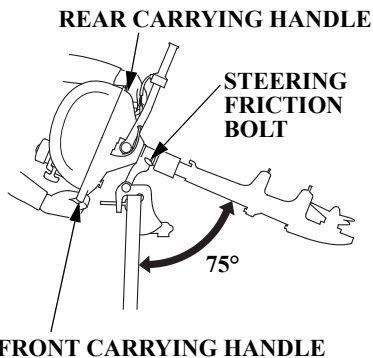
### NOTICE

**When operating in reverse, proceed with caution to avoid hitting any underwater obstructions with the propeller.**

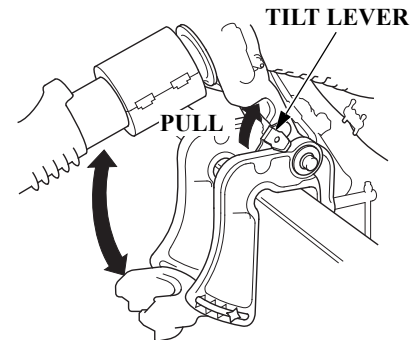
# OPERATION

## Tilting the Outboard Motor

Tilt the outboard motor to prevent the propeller and gear case from hitting the bottom when the boat is beached or stopped in shallow water.



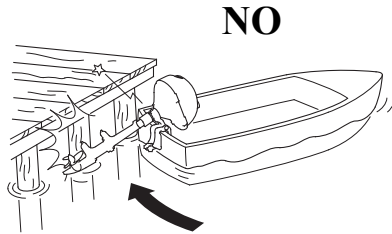
1. Stop the engine (page 41) and turn the fuel valve lever off (page 42).
2. Close the fuel tank vent by turning the vent knob clockwise (page 42).
3. With the outboard motor in the forward position, tilt the outboard motor using the front and rear carrying handles on the engine cover. The spring-loaded tilt lever will automatically move into position and hold the outboard motor when it reaches approximately 75°.
4. Adjust the steering friction bolt to keep the outboard motor from moving.



### NOTICE

- If the outboard motor is tilted in the reverse position, crankcase oil will enter the cylinder and may cause difficult starting or may prevent the engine from being cranked.
  - Do not use the tiller handle to tilt the outboard motor.
5. To return the outboard motor to the normal running position, hold the outboard motor by the front carrying handle on the engine crankcase and pull the tilt lever toward you, then lower the outboard motor slowly.

## <Mooring>



### NOTICE

**To avoid damaging the outboard motor, use the utmost care when mooring a boat, especially when its outboard motor is tilted up. Don't allow the outboard motor to strike against the pier or other boats.**



# OPERATION

---

## Shallow Water Operation

### NOTICE

**Excessive trim/tilt angle during operation can cause the propeller to raise out of the water and cause propeller ventilation and engine over-revving.**

When operating in shallow water, tilt the outboard motor up to prevent the propeller and gear case from hitting the bottom (see page 38). With the outboard motor tilted up, operate the outboard motor at low speed.

## High Altitude Operation

At high altitude, the standard carburetor air-fuel mixture will be too rich. Performance will decrease, and fuel consumption will increase. A very rich mixture will also foul the spark plug and cause hard starting.

High altitude performance can be improved by specific modifications to the carburetor. If you always operate the outboard motor at altitudes higher than 610 m (2,000 feet) above sea level, have your authorized dealer perform these carburetor modifications.

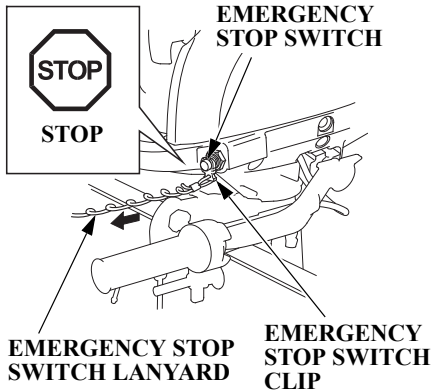
Even with suitable carburetor jetting, engine horsepower will decrease approximately 3.5% for each 300-m (1,000-feet) increase in altitude. The effect of altitude on horsepower will be greater than this if no carburetor modification is made.

### NOTICE

**When the carburetor have been modified for high altitude operation, the air-fuel mixture will be too lean for low altitude use. Operation at altitudes below 610 m (2,000 feet) with modified carburetor may cause the engine to overheat and result in serious engine damage. For use at low altitudes, have an authorized outboard motor dealer return the carburetor to original factory specifications.**

## 9. STOPPING THE ENGINE

### Stopping the Engine

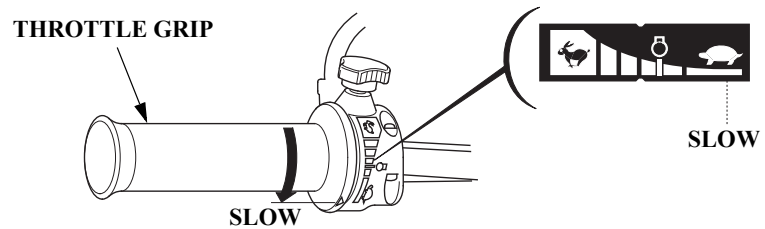


- **In an emergency;**

Disengage the emergency stop switch clip from the emergency stop switch by pulling the emergency stop switch lanyard.

**NOTE:**

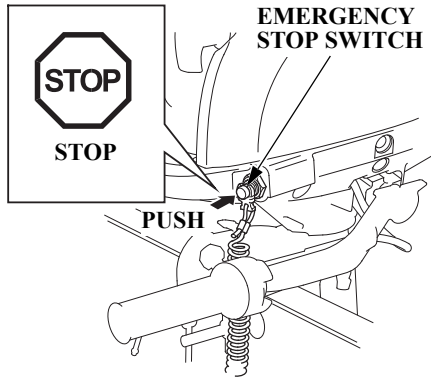
It is a good idea to stop the engine with the emergency stop switch lanyard from time to time to be sure that the emergency stop switch is operating properly.



- **In normal use;**

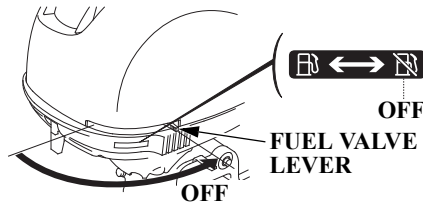
1. Move the throttle grip to the SLOW position.

# STOPPING THE ENGINE



2. Push the emergency stop switch until the engine stops.

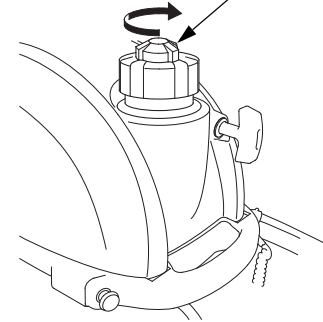
In the event that the engine does not stop when you push the emergency stop switch, pull the emergency stop switch lanyard. If the engine continues to run, move the fuel valve lever to the OFF position and pull the choke knob to stop the engine.



- NOTE:**  
After cruising, cool down the engine by idling for a few minutes before stopping the engine.

3. Turn the fuel valve lever to the OFF.

## FUEL FILLER CAP VENT KNOB



4. Close the fuel filler cap vent knob.
5. Remove the emergency stop switch lanyard and store it.

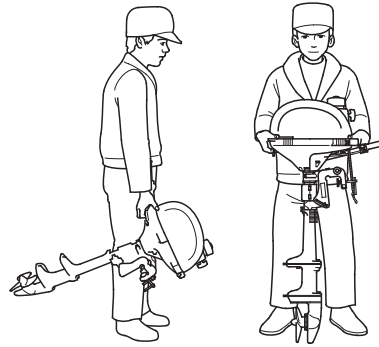
## 10. TRANSPORTING

Turn the fuel filler cap vent knob clockwise and close it securely before transporting the outboard motor.

### ▲WARNING

- Be careful not to spill fuel. Spilled fuel or fuel vapor may ignite. If any fuel is spilled, make sure the area is dry before storing or transporting the outboard motor.
- Do not smoke or allow flames or sparks where fuel is drained or stored.

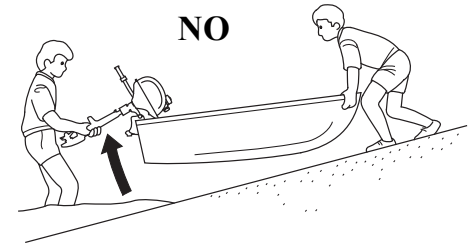
### Transporting



To carry, hold the outboard motor by the carrying handle, or hold by the carrying handle and the lug beneath the engine cover retaining strap as shown here. Do not carry by the engine cover.

### ▲CAUTION

Do not carry the outboard motor by the engine cover. The outboard motor can drop, resulting in an accidental injury and damage.



INCORRECT

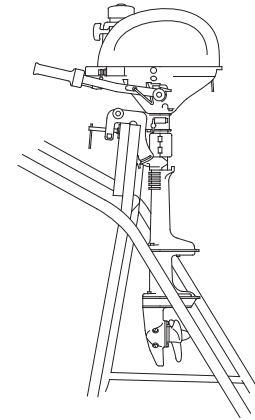
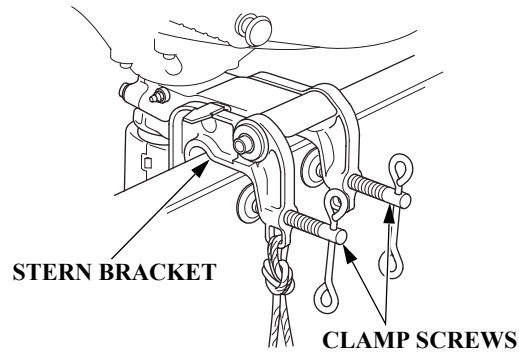
### NOTICE

To avoid damaging the outboard motor, never use it as a handle for lifting or moving the boat.

# TRANSPORTING

Transport the outboard motor either vertically or horizontally as shown here when removed from the boat.

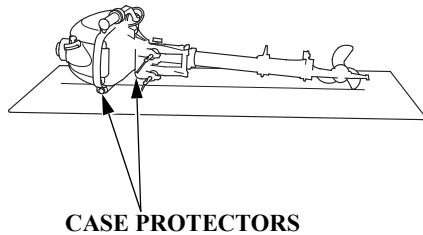
## Vertical transport



1. Attach the stern brackets to a motor stand and tighten the clamp screws to install the outboard motor securely.

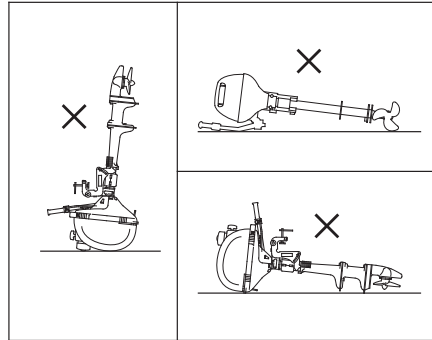
2. Transport the outboard motor as shown above.

## Horizontal transport



Rest the outboard motor on the case protectors with the tiller handle folded.

## INCORRECT

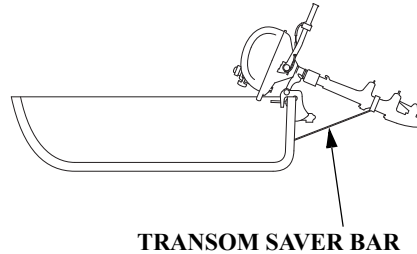
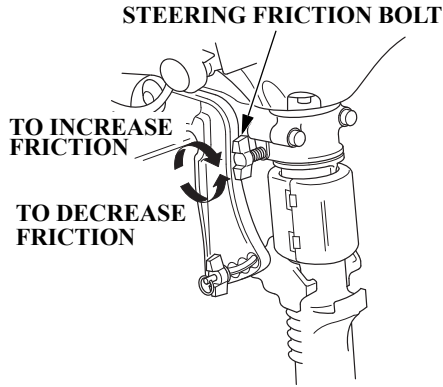


### NOTICE

- Any other transport or storage position may cause damage or oil leakage.
- If the outboard motor is tilted in the reverse position, crankcase oil will enter the cylinder and may cause difficult starting or may prevent the engine from being cranked.

# TRANSPORTING

## Trailer



When trailering or transporting the boat with the outboard motor attached, it is recommended that the outboard motor remain in normal running position with the steering friction bolt tightened securely.

### NOTICE

**Do not trailer or transport the boat with the outboard motor in the tilted position. The boat or outboard motor could be severely damaged if the outboard motor drops.**

The outboard motor should be trailered in the normal running position. If there is insufficient road clearance in this position, then trailer the outboard motor in the tilted position using an outboard motor support device such as a transom saver bar, or remove the outboard motor from the boat.

## 11. CLEANING AND FLUSHING

---

After each use in salt water or dirty water, thoroughly clean and flush the outboard motor with fresh water.

**▲WARNING**

**Be sure the outboard motor is securely mounted.**



## 12. MAINTENANCE

---

Periodic maintenance and adjustment are important to keep the outboard motor in the best operating condition. Service and inspect according to the MAINTENANCE SCHEDULE.

### **▲WARNING**

**Shut off the engine before performing any maintenance. If the engine must be run, make sure the area is well ventilated. Never run the engine in an enclosed or confined area. Exhaust contains poisonous carbon monoxide gas; exposure can cause loss of consciousness and may lead to death.**

**Be sure to reinstall the engine cover, if it was removed, before starting the engine. Hold the engine cover closed by using the engine cover retaining strap.**

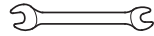
### **NOTICE**

**Use only Honda Genuine parts or their equivalents for maintenance or repair. The use of replacement parts which are not of equivalent quality may damage the outboard motor.**

## Tool Kit and Spare Parts

The following tools and spare parts are supplied with the outboard motor for maintenance, adjustment, and emergency repairs.

### Tool Kit



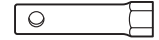
**8 × 10 mm  
WRENCH**



**FLAT/PHILLIPS  
SCREWDRIVER**



**EMERGENCY  
STOP SWITCH  
CLIP**



**BOX WRENCH**



**SPARK PLUG  
WRENCH**



**PLIERS**

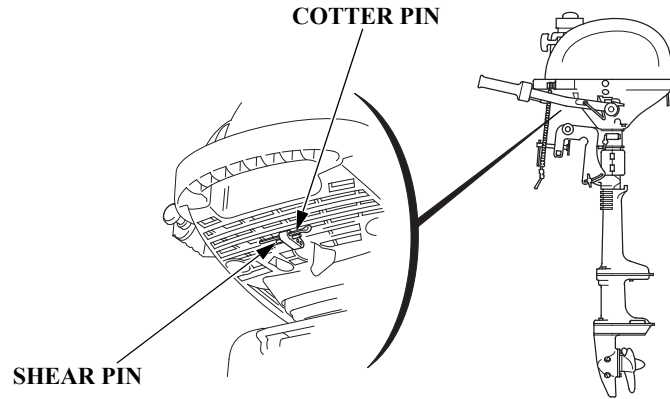


**EMERGENCY  
STARTER ROPE**



**TOOL BAG**

### Spare Parts



# MAINTENANCE

## MAINTENANCE SCHEDULE

REGULAR SERVICE PERIOD (3) Perform at every indicated month or operating hour interval, whichever comes first.		Each use	First month or 10 hrs.	Every 6 months or 50 hrs.	Every year or 150 hrs.	Refer to page
ITEM						
Engine oil	Check level	o				23
	Change		o	o		52
Gear case oil	Change		o	o		53
Starter rope	Check			o		54
Carburetor linkage	Check-adjust		o (2)	o (2)		–
Valve clearance	Check-adjust				o (2)	–
Spark plug	Check-adjust/Replace			o		55
Propeller and Cotter pin	Check	o				27
Anode	Check	o				27
Idling speed	Check-adjust		o (2)	o (2)		–
Clutch shoes and drum	Check				o (2)	–

### NOTE:

- (2) These items should be serviced by an authorized Marine dealer, unless you have the proper tools and are mechanically proficient. Refer to the Honda Shop Manual for service procedures.
- (3) For professional commercial use, log hours of operation to determine proper maintenance intervals.

# MAINTENANCE

REGULAR SERVICE PERIOD (3) Perform at every indicated month or operating hour interval, whichever comes first.	Each use	First month or 10 hrs.	Every 6 months or 50 hrs.	Every year or 150 hrs.	Refer to page
ITEM					
Swivel case lining and bush	Replace	Every 3 years (2)			-
Water seal	Replace	Every 3 years (2)			-
Fuel line	Check	o (4)			-
	Replace	Every 2 years (If necessary) (2) (5)			-
Bolts and nuts	Check-tightness		o (2)	o (2)	-
Lubrication	Grease		o (1)	o (1)	57
Fuel tank and tank filter	Clean		o (2)		-
Crankcase breather tube	Check			o (2)	-
Emergency stop switch	Check	o			41

**NOTE:**

- (1) Lubricate more frequently when used in salt water.
- (2) These items should be serviced by an authorized Marine dealer, unless you have the proper tools and are mechanically proficient. Refer to the Honda Shop Manual for service procedures.
- (3) For professional commercial use, log hours of operation to determine proper maintenance intervals.
- (4) Check the fuel line for leaks, cracks, or damage. If it is leaking, cracked, or damaged, take it to your servicing dealer for replacement before using your outboard.
- (5) Check the fuel line for leaks, cracks, or damage. Replace the fuel line if there are signs of leaks, cracks, or damage.

# MAINTENANCE

## Engine Oil Change

Insufficient or contaminated engine oil adversely affects the service life of the sliding and moving parts.

Wash your hands with soap and water after handling used oil.

### Oil change interval:

10 hours after the date of purchase or first month for initial replacement, then every 50 hours or 6 months.

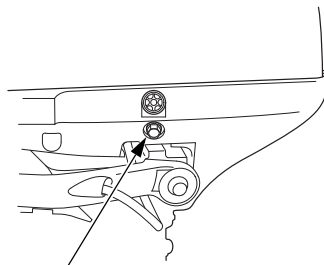
### Oil capacity:

0.25 L (0.26 US qt, 0.22 Imp qt)

### Recommended Oil:

SAE 10W-30 engine oil or equivalent, API Service category SG, SH or SJ.

## <Engine Oil Change>



**OIL DRAIN BOLT**

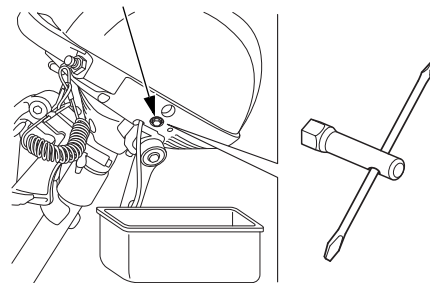
Drain the oil while the engine is still warm to assure rapid and complete draining.

1. Turn the fuel valve lever to the OFF, and close the fuel filler cap vent knob.
2. Remove the outboard from the boat.
3. Loosen the oil drain bolt, and turn the outboard motor on its steering handle side.

### NOTE:

If you remove the oil drain bolt before turning the outboard motor on its steering handle side, oil may spill over the outboard motor.

## OIL DRAIN BOLT



4. Remove the oil drain bolt and O-ring to drain the oil.

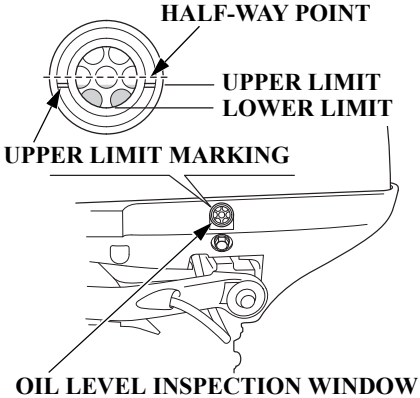
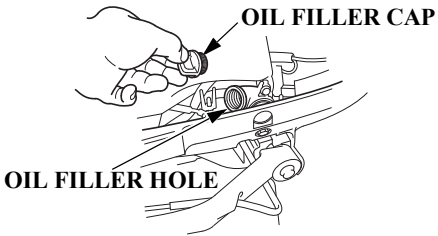
### NOTE:

Please dispose of used outboard motor oil in a manner that is compatible with the environment. We suggest you take it in a sealed container to your local service station for reclamation. Do not throw it in the trash or pour it on the ground.

5. Install the oil drain bolt and a new O-ring.
6. Stand the engine in upright position and tighten the oil drain bolt securely.

### OIL DRAIN BOLT TORQUE:

6.5 N·m (0.65 kgf·m , 4.7 lbf·ft)



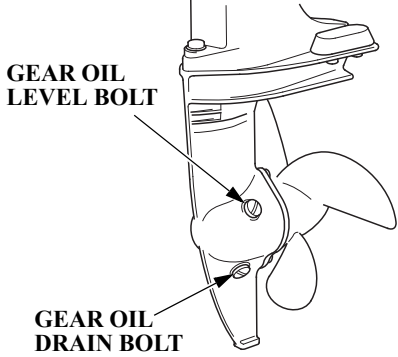
7. Remove the engine cover.
8. Remove the oil filler cap and fill the crankcase with the recommended oil (see page 23) up to the upper level mark in the oil level inspection window.
9. Recheck the oil level after shaking the outboard motor several times.
10. Reinstall the oil filler cap securely.
11. Reinstall the engine cover.
12. Reinstall the outboard on the boat.

### Gear Oil Change

**Oil change interval:**  
10 hours or 1 month after initial use for initial change, then every 6 months or 50 hours.

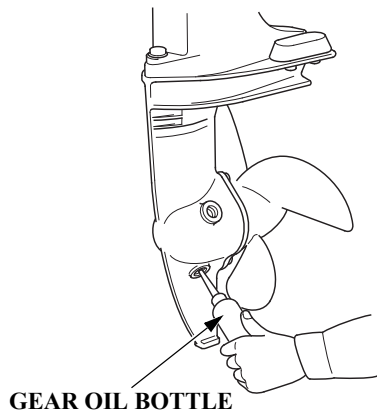
**Oil capacity:**  
0.05 L (0.05 US qt, 0.04 Imp qt)

**Recommended Oil:**  
SAE #90 Hypoid gear oil or equivalent, API Service Classification (GL-4)  
Change the gear oil with the engine stopped and the outboard motor in the vertical position.



# MAINTENANCE

1. Place a suitable container below the oil drain hole to catch the used oil, then remove the oil level bolt, oil drain bolt and washers.



2. Allow the used oil to drain completely, then install an oil pump adapter in the oil drain hole. If water or contaminated (milky-colored) oil flows out the drain hole when the bolt is removed, have the outboard motor checked by authorized Marine dealer.
3. Add oil through the oil drain hole until it flows out the oil level hole, then install the oil level bolt, oil drain bolt and new washers.

## **OIL LEVEL BOLT TORQUE:**

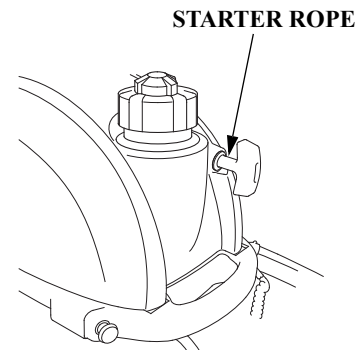
3.5 N·m (0.35 kgf·m , 2.6 lbf·ft)

Avoid losing more than 30 cm<sup>3</sup> (1 US oz, 1,1 Imp oz) while reinstalling the drain bolt.

## **OIL DRAIN BOLT TORQUE:**

3.5 N·m (0.35 kgf·m , 2.6 lbf·ft)

## **Starter Rope Check**



Check the starter rope every 6 months or after every 50 hours of outboard motor operation.

Replace the rope if it is frayed.

## Spark Plug Service

To ensure proper engine operation, the spark plug must be properly gapped and free of deposits.

### ▲ CAUTION

**The spark plug becomes very hot during operation and will remain hot to awhile after stopping the engine.**

### Check-Adjust interval:

Every 50 hours or 6 months.

### Replacement interval:

Every 50 hours or 6 months.

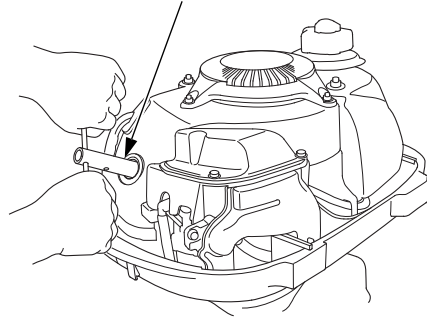
### Recommended spark plug:

LR4C-E (NGK)

### NOTICE

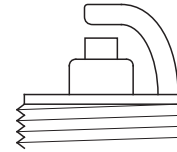
**Use only the recommended spark plug or equivalent. Spark plug which have an improper heat range may cause engine damage.**

### SPARK PLUG WRENCH

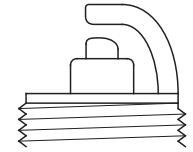


1. Remove the engine cover.
2. Remove the spark plug cap.
3. Make sure the engine is cool.  
Remove the spark plug with the spark plug wrench and screwdriver provided in the tool.

### New plug



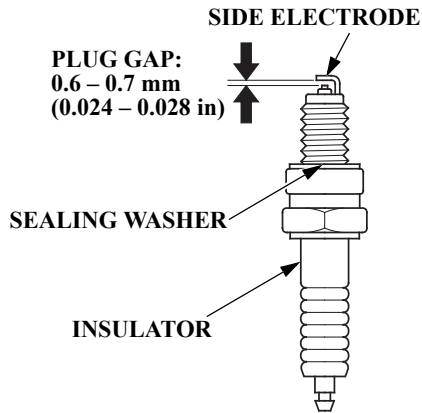
### Plug needing replacement



4. Inspect the spark plug.
  - (1) If the electrode is heavily corroded or carbon-soiled, clean with a wire brush.
  - (2) Replace a spark plug if the central electrode is worn. The spark plug can wear out in different ways.  
If the sealing washer shows signs of wear, or if the insulator is cracked or chipped, replace the spark plug.



# MAINTENANCE



5. Measure the plug gap with a feeler gauge.  
The gap should be 0.6 – 0.7 mm (0.024 – 0.028 in). Correct as necessary by carefully bending the side electrode.

6. Check the sealing washer is in good condition, and thread the plug in by hand to prevent cross threading.
7. After the spark plug is seated, tighten with a spark plug wrench to compress the washer.

## SPARK PLUG TORQUE:

12 N·m (1.2 kgf·m , 9 lbf·ft)

## NOTE:

If installing new spark plug, tighten 1/2 turn after the spark plug seats to compress the washer. If reinstalling a used spark plug, tighten 1/8 – 1/4 turn after the spark plug seats to compress the washer.

8. Attach the spark plug cap.

## NOTICE

**The spark plug must be securely tightened. An improperly tightened plug can become very hot and may cause engine damage.**

9. Reinstall the engine cover.

### Lubrication

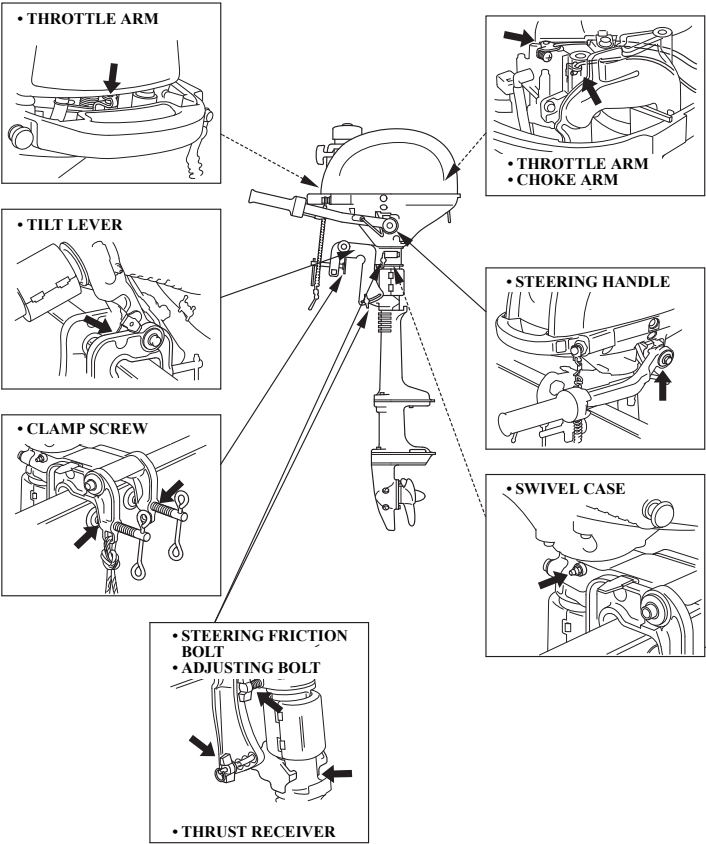
Wipe the outside of the engine with a cloth dipped in clean oil. Apply marine anticorrosion grease to the following parts:

### Lubrication interval:

10 hours or a month after the date of purchase for initial lubrication, then every 50 hours or 6 months.

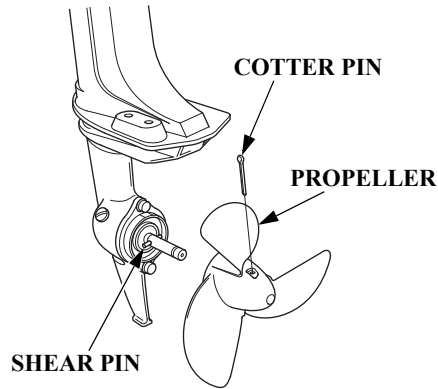
### NOTE:

Apply anticorrosion oil to pivot surfaces where grease cannot penetrate.



# MAINTENANCE

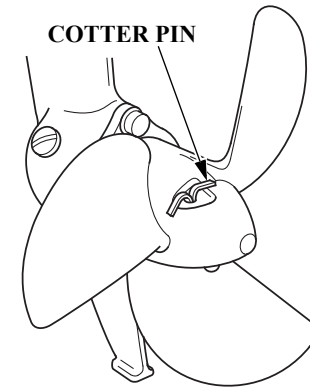
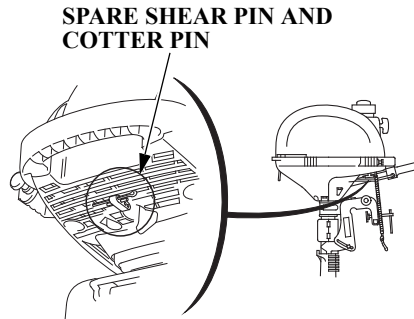
## Shear Pin Change



A shear pin is used to protect the propeller and drive mechanism from damage when the propeller strikes an obstruction.

### **▲WARNING**

- **When replacing, remove the emergency stop switch clip to prevent an accidental startup of the engine.**



- **The propeller is thin and sharp. To protect your hands, wear the heavy gloves during replacement.**

1. Remove the cotter pin and the propeller.
2. Remove the broken shear pin and replace it with a new one.
3. Install the propeller.

4. Install a new cotter pin, and spread the ends of it as shown.

### **NOTE:**

- Use a genuine Honda cotter pin and bend the pin ends as shown.

## Servicing a Submerged Outboard Motor

A submerged outboard motor must be serviced immediately after it is recovered from the water in order to minimize corrosion.

If there is a Honda outboard motor dealership nearby, take the outboard motor immediately to the dealer. If you are far from a dealership, proceed as follows:

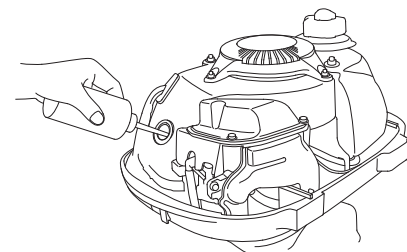
1. Remove the engine cover, and rinse the outboard motor with fresh water to remove salt water, sand, mud, etc.
2. Drain the fuel tank into a suitable container.
3. Loosen the carburetor drain screw, drain the contents of the carburetor into a suitable container, then retighten the drain screw (see page 62).

4. Change the engine oil (see page 52). If there was water in the engine crankcase, or if the used engine oil showed signs of water contamination, then a second engine oil change should be performed after running the engine for 1/2 hour.

5. Remove the spark plug.  
Disengage the emergency stop switch clip from the emergency stop switch and pull the starter grip several times to completely expel water from the cylinder.

### NOTICE

- **When cranking the engine with an open ignition circuit (spark plug removed from the ignition circuit), disengage the emergency stop switch clip to prevent electrical damage to the ignition system.**



- **If the outboard motor was running when it submerged, there may be mechanical damage, such as bent connecting rods. If the engine binds when cranked, do not attempt to run the outboard motor until it has been repaired.**

6. Pour a teaspoon (3 – 5 cm<sup>3</sup>) of engine oil into the spark plug hole, then pull the starter grip several times to lubricate the inside of the cylinder.  
Reinstall the spark plug and engage the emergency stop switch clip with the emergency stop switch.

# MAINTENANCE

---

7. Attempt to start the engine.

**▲WARNING**

**Exposed moving parts can cause injury. Use extreme care when installing the engine cover. Do not operate the outboard motor without the engine cover.**

- If the engine fails to start, remove the spark plug, clean and dry the electrode, then reinstall the spark plug and attempt to start the engine again.
- If the engine starts, and no mechanical damage is evident, continue to run the engine for 1/2 hour or longer (be sure the water level is at least 150 mm (6 in) above the antiventilation plate).

8. As soon as possible, take the outboard motor to a outboard motor dealer for inspection and service.

For longer service life of the outboard motor, have your outboard motor serviced by an authorized outboard motor dealer before storage. However, the following procedures can be performed by you, the owner, with a minimum of tools.

### Fuel

#### NOTE:

Gasoline spoils very quickly depending on factors such as light exposure, temperature and time. In worst cases, gasoline can be contaminated within 30 days. Using contaminated gasoline can seriously damage the engine (carburetor clogged, valve stuck). Such damage due to spoiled fuel is disallowed from coverage by the warranty.

To avoid this please strictly follow these recommendations:

- Only use specified gasoline (see page 25).
- Use fresh and clean gasoline.
- To slow deterioration, keep gasoline in a certified fuel container.
- If long storage (more than 30 days) is foreseen, drain fuel tank and carburetor.

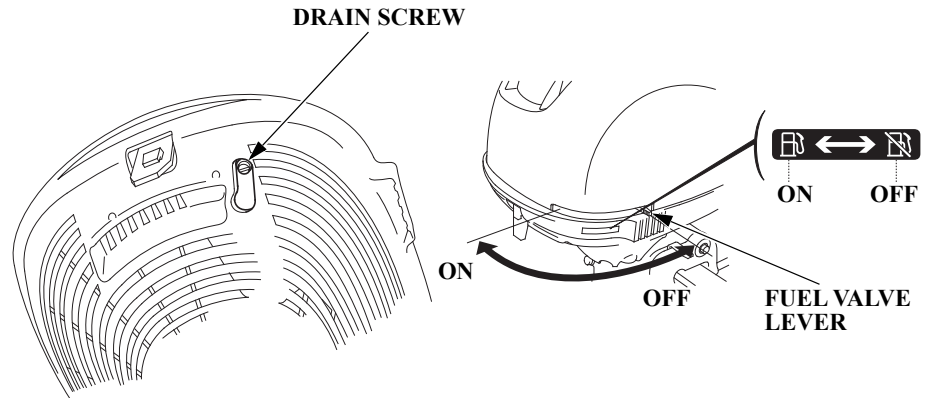
# STORAGE

## Draining the Gasoline

### **▲WARNING**

Gasoline is extremely flammable, and gasoline vapor can explode, causing serious injury or death. Do not smoke or allow flames or sparks in your working area. **KEEP OUT OF REACH OF CHILDREN.**

- Be careful not to spill fuel. Spilled fuel or fuel vapor may ignite. If any fuel is spilled, make sure the area is dry before storing or transporting the outboard motor.
- Do not smoke or allow flames or sparks where fuel is drained or stored.



1. Turn the fuel valve lever to the OFF.
2. Open the fuel filler cap vent knob.
3. Remove the fuel filler cap and drain the gasoline from the fuel tank into a suitable container.
4. Turn the fuel valve lever to the ON, loosen the carburetor drain screw, and drain the gasoline into a suitable container.
5. After draining, retighten the drain screw.
6. Reinstall the fuel filler cap.
7. Make sure the fuel filler cap vent knob is turned to OFF.

## Engine Oil

1. Change the engine oil (see page 52).
2. Remove the spark plug (see page 55), and remove the clip from the emergency stop switch.
3. Pour a teaspoon (3–5 cm<sup>3</sup>) of clean engine oil into the cylinder.
4. Pull the starter grip slowly several times to distribute the oil in the cylinder.
5. Reinstall the spark plug.

## Storage Position of the Outboard Motor

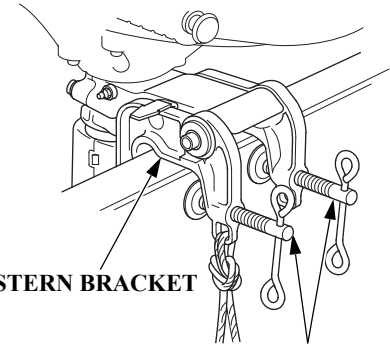
Store the outboard motor either vertically or horizontally as follows with the steering handle folded.

Store the outboard motor in a clean and dry area.

### NOTE:

Before storing, clean, flush and lubricate the outboard motor as described on page 57.

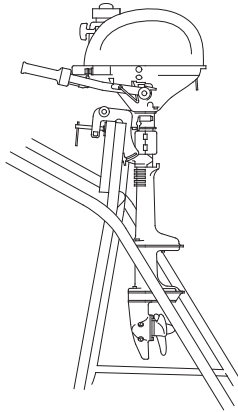
## Vertical storage



1. Attach the stern brackets to a motor stand and tighten the clamp screws to install the outboard motor securely.

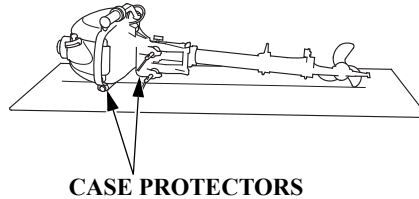


# STORAGE



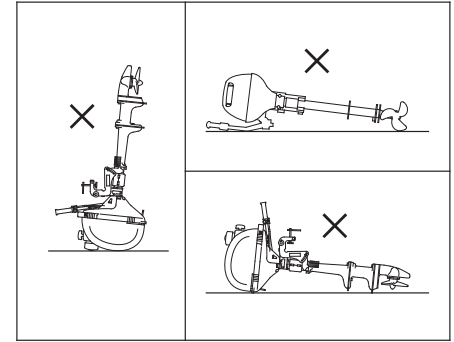
2. Store the outboard motor as shown above.

## Horizontal storage



Rest the outboard motor on the case protectors with the tiller handle folded.

## INCORRECT



## NOTICE

- Any other transport or storage position may cause damage or oil leakage.
- If the outboard motor is tilted in the reverse position, crankcase oil will enter the cylinder and may cause difficult starting or may prevent the engine from being cranked.

To protect the environment, do not dispose of this product, battery, engine oil, etc. carelessly by leaving them in the waste. Observe the local laws and regulations or consult your dealer for disposal.

## 15. TROUBLESHOOTING

---

### <Engine fails to start>

1. Emergency stop switch clip is not engaged. —————> Engage the emergency stop switch clip in place. (page 29)
2. Throttle grip is not in the START position. —————> Move the throttle grip to the START position. (page 30)
3. Out of fuel. —————> Supply fuel. (page 25)
4. Fuel valve is not opened. —————> Move the fuel valve lever to the ON position. (page 28)
5. Fuel filler cap vent knob is not turned ON. —————> Open the fuel filler cap vent knob. (page 28)
6. Fuel is not reaching the carburetor. —————> Loosen the carburetor drain screw to see if there is fuel in the carburetor float bowl. (page 62)
7. Engine is flooded. —————> Clean and dry the spark plug. (page 55)
8. Plug cap is not installed properly. —————> Install plug cap securely. (page 56)

## <Engine speed fluctuates or engine stalls>

1. Fuel level is low. —————> Add fuel. (page 25)
2. Fuel filter is clogged. ———> Replace fuel filter.
3. Spark plug is fouled. —————> Remove spark plug and dry and clean it. (page 55)
4. Spark plug heat range is incorrect ———> Replace with spark plug of proper heat range. (page 55)
5. Spark plug gap is incorrect. —————> Adjust to proper gap. (page 55)

## <Engine speed does not increase>

1. Fuel filter is clogged. ———> Replace fuel filter.
2. Engine oil level is low. ———> Check engine oil and add to specified level. (page 23)
3. Unmatched propeller is selected. ———> Consult with an authorized Honda outboard motor dealer.
4. Passengers are not distributed equally. —————> Distribute the passengers equally.
5. Outboard motor is not installed properly. ———> Install the outboard motor in the proper position. (pages 19 to 21)

## <Engine overheats>

1. Engine is overloaded because of unequally distributed passengers or excessive load on the boat. —————> Distribute the passengers equally. Do not load on the boat excessively.
2. Ventilation. —————> Install the outboard motor in the proper position. (page 19)

## <Engine overrevs>

1. Ventilation. —————> Install the outboard motor in the proper position. (page 19)
2. Shear pin is damaged. ———> Replace shear pin. (page 58)
3. Unmatched propeller is selected. ———> Consult with an authorized Honda outboard motor dealer.
4. Trim angle is not correct. ———> Trim to correct angle. (page 21)

## 16. SPECIFICATIONS

MODEL	BF2.3DH	
Description Code	BABC	
Shaft Length	S (Short)	L (Long)
Type	SCHU SCHD SCHH	LCHU LCHD
Overall length	412 mm (16.2 in)	
Overall width	285 mm (11.2 in)	
Overall height	956 mm (37.6 in)	1,109 mm (43.7 in)
Transom height (when Transom angle is 5°)	418 mm (16.5 in)	571 mm (22.5 in)
Dry mass (weight)*	13.6 kg (30.0 lbs)	14.3 kg (31.5 lbs)
Rated power	1.7 kW (2.3 PS)	
Full throttle range	5,000 – 6,000 min <sup>-1</sup> (rpm)	
Engine type	4-stroke, overhead valve, single cylinder	
Displacement	57.2 cm <sup>3</sup> (3.49 cu-in)	
Valve tappet clearance	Intake: 0.06 – 0.10 mm (0.002 – 0.004 in) Exhaust: 0.09 – 0.13 mm (0.004 – 0.005 in)	
Spark plug gap	0.6 – 0.7 mm (0.024 – 0.028 in)	
Starter system	Recoil starter	
Ignition system	Transistorized magneto	

Lubrication system	Oil slinger system
Specified oil	Engine: API standard SG, SH, SJ, SAE 10W-30 Gear case: API standard (GL-4) SAE 90 Hypoid gear oil
Oil capacity	Engine: 0.25 L (0.26 US qt, 0.22 Imp qt) Gear case: 0.05 L (0.05 US qt, 0.04 Imp qt)
Cooling system	Forced air cooling
Exhaust system	Underwater exhaust
Spark plug	LR4C-E (NGK)
Fuel	Automotive unleaded gasoline (91 research octane, 86 pump octane, or higher)
Tank capacity	1.1 L (0.29 US gal, 0.24 Imp gal)
Steering equipment	Bar handle
Steering angle	360°
Transom angle	4 stages (5° -10° -15° -20°)
Tilt angle	75° (when Transom angle is 5°)
Standard propeller (No. of blades – diameter × pitch)	3 – 184 × 120 mm (3 – 7-1/4 × 4-3/4 in)

\* With propeller

Honda outboards are power rated in accordance with ISO8665 (propeller shaft output).

## Noise and Vibration [SCHU and LCHU types]

MODEL	BF2.3DH
CONTROL SYSTEM	T (Tiller handle)
Sound Pressure level at operator's ears (2006/42/EC, ICOMIA 39-94)	83 dB (A)
----- Uncertainty	----- 2 dB (A)
Measured sound power level (Reference to EN ISO3744)	89 dB (A)
----- Uncertainty	----- 2 dB (A)
Vibration level at hand arm (2006/42/EC, ICOMIA 38-94)	7.0 m/s <sup>2</sup>
----- Uncertainty	----- 2.1 m/s <sup>2</sup>

Reference to: ICOMIA Standard: as it specifies the engine operating conditions and measurement conditions.

# 17. MAJOR Honda DISTRIBUTOR ADDRESSES

For further information, please contact Honda Customer Information Centre at the following address or telephone number:

## For European

### AUSTRIA

#### Honda Motor Europe Ltd

Hondastraße 1  
2351 Wiener Neudorf  
Tel.: +43 (0)2236 690 0  
Fax: +43 (0)2236 690 480  
<http://www.honda.at>

✉ [HondaPP@honda.co.at](mailto:HondaPP@honda.co.at)

### BALTIC STATES

#### (Estonia/Latvia/ Lithuania)

#### NCG Import Baltics OU

Meistri 12  
13517 Tallinn  
Harju County Estonia  
Tel.: +372 651 7300  
Fax: +372 651 7301

✉ [info.baltic@ncgimport.com](mailto:info.baltic@ncgimport.com)

### BELARUS

#### JV "Scanlink" Ltd.

Montazhnikov lane 4th, 5-16  
Minsk 220019  
Republic of Belarus  
Tel.: +375172349999  
Fax: +375172380404

✉ [honda@scanlink.by](mailto:honda@scanlink.by)

### BELGIUM

#### Honda Motor Europe Ltd

Doornveld 180-184  
1731 Zellik  
Tel.: +32 2620 10 00  
Fax: +32 2620 10 01  
<http://www.honda.be>

✉ [bh\\_pe@honda-eu.com](mailto:bh_pe@honda-eu.com)

### BULGARIA

#### Premium Motor Ltd

Andrey Lyapchev Blvd no 34  
1797 Sofia  
Bulgaria

Tel.: +3592 423 5879  
Fax: +3592 423 5879

<http://www.hondamotor.bg>

✉ [office@hondamotor.bg](mailto:office@hondamotor.bg)

### CROATIA

#### Fred Bobek d.o.o.

HONDA MARINE  
Put Gaćezeza 5b  
HR 22211 Vodiče  
Tel.: 00385 22 444336  
Fax.: 00385 22 440500

✉ [centrala@honda-croatia.com](mailto:centrala@honda-croatia.com)

### CYPRUS

#### Powerline Products Ltd

Cyprus - Nicosia  
Vasilias 18 2232 Latsia  
Tel.: 0035799490421

✉ [info@powerlinecy.com](mailto:info@powerlinecy.com)

<http://www.powerlinecy.com>

### CZECH REPUBLIC

#### BG Technik cs, a.s.

U Zavodiste 251/8  
15900 Prague 5 - Velka  
Chuchle

Tel.: +420 2 838 70 850

Fax: +420 2 667 111 45

<http://www.honda-stroje.cz>

### DENMARK

#### TIMA A/S

Ryttermarken 10  
DK-3520 Farum  
Tel.: +45 36 34 25 50  
Fax: +45 36 77 16 30  
<http://www.tima.dk>

### FINLAND

#### OY Brandt AB.

Tuupakantie 7B  
01740 Vantaa  
Tel.: +358 207757200  
Fax: +358 9 878 5276  
<http://www.brandt.fi>

### FRANCE

#### Honda Motor Europe Ltd

Division Produit d'Équipement  
Parc d'activités de Pariest,  
Allée du 1er mai

Croissy Beaubourg BP46, 77312

Marne La Vallée Cedex 2

Tel.: 01 60 37 30 00

Fax: 01 60 37 30 86

<http://www.honda.fr>

✉ [espace-client@honda-eu.com](mailto:espace-client@honda-eu.com)

### GERMANY

#### Honda Deutschland Niederlassung der Honda Motor Europe Ltd.

Hanauer Landstraße 222-224  
D-60314 Frankfurt  
Tel.: 01805 20 20 90  
Fax: +49 (0)69 83 20 20  
<http://www.honda.de>

✉ [info@post.honda.de](mailto:info@post.honda.de)

# MAJOR Honda DISTRIBUTOR ADDRESSES

For further information, please contact Honda Customer Information Centre at the following address or telephone number:

## For European (continued)

### GREECE

**Saracakis Brothers S.A.**

71 Leoforos Athinon  
10173 Athens  
Tel.: +30 210 3497809  
Fax: +30 210 3467329  
<http://www.honda.gr>  
✉ [info@saracakis.gr](mailto:info@saracakis.gr)

### HUNGARY

**MP Motor Co., Ltd.**

Kamaraerdei ut 3.  
2040 Budaors  
Tel.: +36 23 444 971  
Fax: +36 23 444 972  
<http://www.hondakisgepek.hu>  
✉ [info@hondakisgepek.hu](mailto:info@hondakisgepek.hu)

### IRELAND

**Two Wheels Ltd**

M50 Business Park, Ballymount  
Dublin 12  
Tel.: +353 1 4381900  
Fax: +353 1 4607851  
<http://www.hondaireland.ie>  
✉ [sales@hondaireland.ie](mailto:sales@hondaireland.ie)

### ISRAEL

**Mayer's Cars and Trucks Co.Ltd. -  
Honda Division**

Shevach 5, Tel Aviv, 6777936  
Israel  
+972-3-6953162  
✉ [OrenBe@mct.co.il](mailto:OrenBe@mct.co.il)

### ITALY

**Honda Motore Europe Ltd**

Via della Cecchignola, 13  
00143 Roma  
Tel.: +848 846 632  
Fax: +39 065 4928 400  
<http://www.hondaitalia.com>  
✉ [info.power@honda-eu.com](mailto:info.power@honda-eu.com)

### NORTH MACEDONIA

**Fred Bobek d.o.o.**

HONDA MARINE  
Put Gaćeleza 5b  
HR 22211 Vodice  
Tel.: 00385 22 444336  
Fax: 00385 22 440500  
✉ [centrala@honda-croatia.com](mailto:centrala@honda-croatia.com)

### MALTA

**The Associated Motors  
Company Ltd.**

New Street in San Gwakklin Road  
Mriehel Bypass, Mriehel QRM17  
Tel.: +356 21 498 561  
Fax: +356 21 480 150  
✉ [mgalea@gasanzammit.com](mailto:mgalea@gasanzammit.com)

### NORWAY

**KELLOX**

Box 24, N-141  
Trollåsveien 36, 1414  
Trollåsen, Norway  
Mobile: +47 47 80 90 00  
Phone: +47 64 97 61 00  
<http://kellox.no/>  
✉ [finn.hoge@kellox.no](mailto:finn.hoge@kellox.no)

### POLAND

**Aries Power Equipment**

Puławska 467  
02-844 Warszawa  
Tel.: +48 (22) 861 43 01  
Fax: +48 (22) 861 43 02  
<http://www.ariespower.pl>  
<http://www.mojahonda.pl>  
✉ [info@ariespower.pl](mailto:info@ariespower.pl)

### PORTUGAL

**GROW Produtos de Forca  
Portugal**

Rua Fontes Pereira de Melo, 16  
Abrunheira, 2714-506 Sintra  
Tel.: +351 211 303 000  
Fax: +351 211 303 003  
<http://www.grow.com.pt>  
✉ [geral@grow.com.pt](mailto:geral@grow.com.pt)

### ROMANIA

**Agrisorg SRL**

Sacadat Str Principala  
Nr 444/A Jud. Bihor  
Romania  
Tel.: (+4) 0259 458 336  
✉ [info@agrisorg.com](mailto:info@agrisorg.com)

### SERBIA & MONTENEGRO

**Fred Bobek d.o.o.**

HONDA MARINE  
Put Gaćeleza 5b  
HR 22211 Vodice  
Tel.: 00385 22 444336  
Fax.: 00385 22 440500  
✉ [centrala@honda-croatia.com](mailto:centrala@honda-croatia.com)



# MAJOR Honda DISTRIBUTOR ADDRESSES

For further information, please contact Honda Customer Information Centre at the following address or telephone number:

## For European (continued)

### SLOVAK REPUBLIC

**Honda Motor Europe Ltd**  
**Slovensko, organizačná zložka**  
Prievozská 6 821 09 Bratislava  
Tel.: +421 2 32131111  
Fax: +421 2 32131112  
<http://www.honda.sk>

### SLOVENIA

**Fred Bobek d.o.o.**  
**HONDA MARINE**  
Put Gačeleza 5b  
HR 22211 Vodice  
Tel.: 00385 22 444336  
Fax.: 00385 22 440500  
✉ [centrala@honda-croatia.com](mailto:centrala@honda-croatia.com)

### SPAIN & all Provinces

**Greens Power Products, S.L.**  
Polígono Industrial Congost –  
Av Ramon Ciurans n°2  
08530 La Garriga - Barcelona  
Tel.: +34 93 860 50 25  
Fax: +34 93 871 81 80  
<http://www.hondaencasa.com>

### SWEDEN

**Honda Motor Europe Ltd filial**  
**Sverige**  
Box 31002 - Långhusgatan 4  
215 86 Malmö  
Tel.: +46 (0)40 600 23 00  
Fax: +46 (0)40 600 23 19  
<http://www.honda.se>  
✉ [hpesinfo@honda-eu.com](mailto:hpesinfo@honda-eu.com)

### SWITZERLAND

**Honda Motor Europe Ltd.**  
**Succursale de Satigny/Genève**  
Rue de la Bergère 5  
1242 Satigny  
Tel.: +41 (0)22 989 05 00  
Fax: +41 (0)22 989 06 60  
<http://www.honda.ch>

### TURKEY

**Anadolu Motor Uretim Ve**  
**Pazarlama As**  
Sekerpınar Mah  
Albayrak Sok No 4  
Cayirova 41420  
Kocaeli  
Tel.: +90 262 999 23 00  
Fax: +90 262 658 94 17  
<http://www.anadolumotor.com.tr>  
✉ [antor@antor.com.tr](mailto:antor@antor.com.tr)

### UKRAINE

**Dnipro Motor LLC**  
3, Bondarsky Alley,  
Kyiv, 04073, Ukraine  
Tel.: +380 44 537 25 76  
Fax: +380 44 501 54 27  
✉ [igor.lobunets@honda.ua](mailto:igor.lobunets@honda.ua)

### UNITED KINGDOM

**Honda Motor Europe Ltd**  
Cain Road  
Bracknell  
Berkshire  
RG12 1 HL  
Tel.: +44 (0)845 200 8000  
<http://www.honda.co.uk>

# 18. "UK DECLARATION OF CONFORMITY" CONTENT OUTLINE

1) **UK-DECLARATION OF CONFORMITY**

2) THE UNDERSIGNED, (13), REPRESENTING THE MANUFACTURER, HEREWITH DECLARES THAT THE PRODUCT IS IN CONFORMITY WITH THE PROVISIONS OF THE FOLLOWING STATUTORY REQUIREMENTS

SI 2008 No. 1597 ; SI 2016 No. 1091

3) REFERENCE TO DESIGNATED STANDARDS:

EN 61000-6-1: 2007, EN 55012:2007+A1:2009

4) **DESCRIPTION OF THE MACHINERY**

5) Generic denomination: Outboard engine 6) Function: Propulsion system 7) MAKE: Honda

8) TYPE:

9) SERIAL NUMBER:

10) Manufacturer:

Honda Power Products (China) Co., Ltd.  
No.1, Guan Yue South Road, Yubei District,  
Chongqing, CHINA

11) Authorized representative and able to  
compile the technical documentation:

Honda Motor Europe Ltd  
Cain Road, Bracknell, Berkshire, RG12 1HL,  
United Kingdom

12) SIGNATURE:

13) NAME:

14) TITLE

16) DATE:

17) PLACE:

# 19. “EC DECLARATION OF CONFORMITY” CONTENT OUTLINE

1) <b>EC-DECLARATION OF CONFORMITY</b>			
2) THE UNDERSIGNED, (13), REPRESENTING THE MANUFACTURER, HEREWITH DECLARES THAT THE <b>PRODUCT</b> IS IN CONFORMITY WITH THE <b>PROVISIONS</b> OF THE FOLLOWING <b>EC-DIRECTIVES</b>			
2006/42/EC, 2014/30/EU			
3) <b>REFERENCE TO HARMONIZED STANDARDS:</b>			
EN 61000-6-1: 2007, EN 55012:2007+A1:2009			
4) <b>DESCRIPTION OF THE MACHINERY</b>			
5) Generic denomination: Outboard engine		6) Function: Propulsion system	
		7) MAKE: Honda	
8) TYPE: <input type="text"/>		9) SERIAL NUMBER: <input type="text"/>	
10) Manufacturer: Honda Power Products (China) Co., Ltd. No.1, Guan Yue South Road, Yubei District, Chongqing, CHINA			
11) Authorized representative and able to compile the technical documentation: Honda Motor Europe Ltd – Aalst Office Wijngaardveld 1 (Noord V) 9300 Aalst - Belgium			
12) SIGNATURE: <input type="text"/>			
13) NAME: <input type="text"/>		16) DATE: <input type="text"/>	
14) TITLE: <input type="text"/>		17) PLACE: <input type="text"/>	

# “EC DECLARATION OF CONFORMITY” CONTENT OUTLINE

<p>1) DECLARATION CE DE CONFORMITE 2) LE SOUSSIGNÉ, (13), REPRÉSENTANT DU CONSTRUCTEUR, DÉCLARE PAR LA PRÉSENTE QUE LE PRODUIT EST CONFORME AUX DISPOSITIONS DES DIRECTIVES CE SUIVANTES  3) REFERENCE AUX NORMES HARMONISÉES 4) DESCRIPTION DE MACHINE  5) Denomination générique: moteur hors-bord 6) Fonction : Système de propulsion 7) MARQUE  8) TYPE 9) NUMÉRO DI SERIE 10) CONSTRUCTEUR 11) Représentant autorisé et en charge des éditions de documentation techniques  12) SIGNATURE 13) NOM 14) TITRE 15) Directeur Qualité 16) DATE 17) LIEU</p>	<b>français ( FRENCH )</b>
<p>1) DICHIARAZIONE DI CONFORMITA' CE 2) IL SOTTOSCRITTO, (13), RAPPRESENTANTE DEL COSTRUTTORE, DICHIARA QUI DI SEGUITO CHE IL PRODOTTO E' CONFORME A QUANTO PREVISTO DALLE SEGUENTI DIRETTIVE COMUNITARIE  3) RIFERIMENTO ALLE NORME ARMONIZZATE 4) DESCRIZIONE DELLA MACCHINA  5) Denominazione generica: MOTORE FUORIBORDO 6) Funzione : Sistema di propulsione  7) MARCA 8) TIPO 9) NUMERO DI SERIE 10) FABBRICANTE  11) Rappresentante autorizzato e competente per la compilazione della documentazione tecnica  12) FIRMA 13) NOME 14) TITOLO 15) DIRETTORE DELLA QUALITA' 16) ADDI 17) LUOGO</p>	<b>italiano ( ITALIAN )</b>
<p>1) EG-KONFORMITÄTSSERKLÄRUNG 2) DER UNTERZEICHNER, (13), DER DEN HERSTELLER VERTRITT, ERKLÄRT HIERMIT, DAB DAS PRODUKT IN ÜBEREINSTIMMUNG MIT DEN BESTIMMUNGEN DER NACHSTEHENDEN EG-RICHTLINIEN IST  3) VERWEIS AUF HARMONISIERTE NORMEN 4) BESCHREIBUNG DER MASCHINE  5) Allgemeine Bezeichnung : Außenbordmotor 6) Funktion : Antriebsart  7) FABRIKAT 8) TYP 9) SERIEN NUMMER 10) HERSTELLER  11) Bevollmächtigter und in der Position, die technische Dokumentation zu erstellen  12) UNTERSCHIFT 13) NAME 14) TITEL 15) Qualitätssi Cherung 16) DATUM 17) ORT</p>	<b>deutsch ( GERMAN )</b>
<p>1) EG-VERKLARING VAN OVEREENSTEMMING 2) ONDERGETEKENDE, (13), VERTEGENWOORDIGER VAN DE FABRIKANT, VERKLAART HIERMEE DAT HET PRODUCT VOLDOET AAN DE BEPALINGEN VAN DE VOLGENDE EG-RICHTLIJNEN  3) REFERENTIE NAAR GEHARMONISEERDE NORMEN 4) BESCHRIJVING VAN DE MACHINE  5) Algemene benaming : buitenboordmotor 6) Functie : Aandrijfsysteem  7) FABRIKAT 8) TYPE 9) SERIEN UMMER 10) FABRIKANT  11) Gemachtigde van de fabrikant en in staat om de technische documentatie samen te stellen  12) HANDTEKENING 13) NAAM 14) TITEL 15) Directeur Kwaliteitszorg 16) DATUM 17) PLAATS</p>	<b>nederlands ( DUTCH )</b>
<p>1) ΕΚ-ΔΗΛΩΣΗ ΕΝΑΡΜΟΝΙΣΗΣ 2) Ο ΥΠΟΓΡΑΦΩΝ, (13), ΕΚΠΡΟΣΩΠΟΝΤΑΣ ΤΟΝ ΚΑΤΑΣΚΕΥΑΣΤΗ, ΔΙΑ ΤΟΥ ΠΑΡΟΝΤΟΣ ΔΗΛΩΝΕΙ ΟΤΙ ΤΟ ΠΡΟΪΟΝ ΒΡΙΣΚΕΤΑΙ ΣΕ ΕΝΑΡΜΟΝΙΣΗ ΜΕ ΤΙΣ ΠΡΟΒΛΕΨΕΙΣ ΤΩΝ ΚΑΤΩΦΙ ΟΔΗΓΙΩΝ ΤΗΣ ΕΕ  3) ΠΑΡΑΠΟΜΠΗ ΣΤΑ ΕΝΑΡΜΟΝΙΣΜΕΝΑ ΠΡΟΤΥΠΑ 4) ΠΕΡΙΓΡΑΦΗ ΜΗΧΑΝΗΜΑΤΟΣ  5) Γενική ονομασία : Εξωλέμβια μηχανή 6) Λειτουργία : Σύστημα Πρόωσης  7) ΕΡΓΟΣΤΑΣΙΟ ΚΑΤΑΣΚΕΥΗΣ 8) ΤΥΠΟΣ 9) ΑΡΙΘΜΟΣ ΣΕΙΡΑΣ 10) ΚΑΤΑΣΚΕΥΑΣΤΗΣ  11) Εξουσιοδοτημένος αντιπρόσωπος και είναι σε θέση να καταρτίσει τον τεχνικό φάκελο  12) ΥΠΟΓΡΑΦΗ 13) ΟΝΟΜΑ 14) ΤΙΤΛΟΣ 15) Υπεύθυνος Ποιότητας 16) ΗΜΕΡΟΜΗΝΙΑ 17) ΤΟΠΟΣ</p>	<b>Ελληνικά ( GREEK )</b>
<p>1) EF OVERENSSTEMMELSESERKLÆRING 2) UNDERTEGNEDE, (13), DER REPRÆSENTERER FABRIKANTEN, ERKLÆRER HERMED AT PRODUKTET ER I OVERENSSTEMMELSE MED BESTEMMELSERNE I FØLGE EF DIREKTIVERNE  3) REFERENCE TIL HARMONISEREDE STANDARDER 4) BESKRIVELSE AF MASKINEN  5) FÆLLESBETEGNELSE : Utenbordsmotor 6) ANVENDELSE : Fremdrivningssystem 7) FABRIKANT  8) TYPE 9) SERIEN UMMER 10) FABRIKANT  11) AUTORISERET REPRÆSENTANT OG I STAND TIL AT UDARBEJDE DEN TEKNISKE DOKUMENTATION  12) SIGNATURE 13) NAVN 14) TITEL 15) Kvalitets Leder 16) DATO 17) STED</p>	<b>dansk ( DANISH )</b>

# “EC DECLARATION OF CONFORMITY” CONTENT OUTLINE

<p>1) DECLARACIÓN DE CONFORMIDAD 2) EL ABAJO FIRMANTE, (13), EN REPRESENTACIÓN DE FABRICANTE, DECLARA QUE EL PRODUCTO ES CONFORME CON LAS DISPOSICIONES DE LAS SIGUIENTES DIRECTIVAS CE  3) REFERENCIA A ESTÁNDARES ARMONIZADOS 4) DESCRIPCIÓN DE LA MAQUINARIA  5) Denominación genérica : Motor fueraborda 6) Función : Sistema de propulsión 7) MARCA  8) TIPO 9) NUMERO DE SERIE 10) FABRICANTE 11) Representante autorizado que puede compilar el expediente técnico  12) FIRMA 13) NOMBRE 14) CARGO 15) Director de calidad 16) FECHA 17) LUGAR</p>	<b>español ( SPANISH )</b>
<p>1) DECLARAÇÃO CE DE CONFORMIDADE 2) O ABAIXO ASSINADO, (13), EM REPRESENTAÇÃO DO FABRICANTE, PELA PRESENTE DECLARA QUE O PRODUTO ESTÁ EM CONFORMIDADE COM O ESTABELECIDO NAS SEGUINTES DIRECTIVAS COMUNITÁRIAS 3) REFERÊNCIA AS NORMAS HARMONIZADAS 4) DESCRIÇÃO DA MÁQUINA  5) Denominação genérica : Motor fora de borda 6) Função : Sistema propulsor  7) MARCA 8) TIPO 9) NÚMERO DE SÉRIE 10) FABRICANTE  11) Mandatário com capacidade para compilar documentação técnica  12) ASSINATURA 13) NOME 14) TÍTULO 15) Director de Qualidade 16) DATA 17) LOCAL</p>	<b>português ( PORTUGUESE )</b>
<p>1) EY-VAATIMUSTENMUKAISUUSVAKUUTUS 2) ALLEKIRJOITANNUT, (13), JOKA EDUSTAA VALMISTAJAA, VAKUUTAA TÄTEN, ETTÄ TUOTE ON SEURAAVIEN EU-DIREKTIIVIEN VAATIMUSTEN MUKAINEN  3) VITTAUS YHTEISIIN STANDARDEIHIN 4) KUVAUS LAITTEESTA  5) Yleisarvomäärä : Peramoottori 6) Toiminto : Työntöjärjestelmä 7) MERKKI 8) MALLI  9) SARJANUMERO 10) VALMISTAJA 11) Valmistajan edustaja ja teknisten dokumenttien laatia  12) ALLEKIRJOITUS 13) NIMI 14) TITTELI 15) Laatupäällikkö  16) PÄIVÄMÄÄRÄ 17) PAKKA</p>	<b>suomi / suomen kieli ( FINNISH )</b>
<p>1) ЕО-ДЕКЛАРАЦИЯ ЗА СЪОТВЕТСТВИЕ 2) ДОЛУ ПОДШИСАЛИЯТ СЕ (13), ПРЕДСТАВЛЯВАЩ ДИСТРИБУТОРА, ДЕКЛАРИРА, ЧЕ ПРОДУКТА СЪОТВЕТСТВА НА ИЗСКВАНИЯТА НА СЛЕДНИТЕ ЕВРОПЕЙСКИ ДИРЕКТИВИ  3) СЪОТВЕТСТВИЕ С ХАРМОНИЗИРАНИТЕ СТАНДАРТИ 4) ОПИСАНИЕ НА АРТИКУЛА  5) Общо наименование : ИЗВЪН БОРДОВИ ДВИГАТЕЛ 6) Функция : Задвижваща система  7) МАРКА 8) ТИП 9) СЕРИЕН НОМЕР 10) ПРОИЗВОДИТЕЛ  11) Упълномощен представител и отговорник за съставяне на техническа документация  12) ПОДПИС 13) ИМЕ 14) ТИТЛА 15) МЕНИДЖЪР НА КАЧЕСТВОТО 16) ДАТА 17) МЯСТО</p>	<b>български ( BULGARIAN )</b>
<p>1) EG-FÖRSÄKRAN OM ÖVERENSSTÄMMELSE 2) UNDERTECKNAD, (13), REPRESENTERANDE TILLVERKARE, FÖRSÄKRAR HÄRMED ATT PRODUKTEN ÖVERENSSTÄMMER MED BESTÄMMELSERNA I FÖLJANDE EG-DIREKTIVE  3) REFERERANDE TILL HARMONISERADE STANDARDER 4) BESKRIVNING AV UTRUSTNINGEN  5) Allmän benämning : Utomboromotor 6) Funktion : Framdrivningssystem  7) MERKKI 8) TYPBETECKNING 9) SERIENUMER 10) TILLVERKARE  11) Auktoriserad representant och ska kunna sammanställa teknisk dokumentationen.  12) SIGNATUR 13) NAMN 14) TITEL 15) Kvalitetschef 16) DATUM 17) ORT</p>	<b>svenska ( SWEDISH )</b>
<p>1) DEKLARACJA ZGODNOŚCI WE 2) NIŻEJ PODPISANY (13), REPREZENTUJĄCY PRODUCENTA, DEKLARUJE Z CAŁĄ ODPOWIEDZIALNOŚCIĄ, ŻE PRODUKT SPEŁNIA WYMAGANIA ZAWARTE W NASTĘPUJĄCYCH DYREKTYWACH UNIJNYCH  3) ZASTOSOWANE NORMY ZHARMONIZOWANE 4) OPIS URZĄDZENIA  5) Ogólne określenie : Silnik zaburtowy 6) Funkcja : Układ napędowy  7) MARKA 8) TYP 9) NUMERY SERYJNE 10) PRODUCENT  11) Upoważniony Przedstawiciel oraz osoba upoważniona do przygotowania dokumentacji technicznej 12) PODPIS  13) NAZWISKO 14) TYTUŁ 15) Menadżer Jakości 16) DATA 17) MIEJSCE</p>	<b>polski ( POLISH )</b>

# “EC DECLARATION OF CONFORMITY” CONTENT OUTLINE

<p>1) MEGFELELŐSÉGI NYILATKOZAT 2) ALULIROTT (13), MINT A GYÁRTÓ KÉPVISELŐJE NYILATKOZIK, HOGY AZ ALABBI TERMÉK MINDENBEN MEGFELEL A KÖVETKEZŐ EC ELŐÍRÁSOK RENDELKEZÉSEINEK: 98/37/EC, 89/336/EEC-93/68/EC:  3) ÖSSZHANGBAN A KÖV. SZABVÁNYOKKAL 4) A GÉP LEÍRÁSA  5) Általános megnevezés : KÜLSŐ CSÓNAKMOTOR 6) Funkció : Hajtás rendszer  7) GYÁRTOTTA 8) TÍPUS 9) SORSZÁM 10) GYÁRTÓ 11) Meghatalmazott képviselője és képes összeállítani a műszaki dokumentációt.  12) ALÁÍRÁS 13) NÉV 14) BEOSZTÁS  15) MINŐSÉGI IGAZGATÓ 16) KELTEZÉS DÁTUMA 17) KELTEZÉS HELYE</p>	<b>magyar ( HUNGARIAN )</b>
<p>1) Prohlášení o shodě 2) ZÁSTUPCE VÝROBCE, (13), SVÝM PODPÍSEM POTVRZUJE, ŽE DANÝ VÝROBEK JE V SOULADU S NÁSLEDUJÍCÍMI SMĚRNICEMI A NORMAMI EVROPSKÉHO SPOLEČENSTVÍ:  3) ODKAZ NA HARMONIZOVANÉ NORMY: 4) POPIS VÝROBKU  5) Všeobecné označení : ZÁVĚSNÝ LODNÍ MOTOR 6) Funkce : Pohonný systém  7) ZNAČKA: 8) TYP: 9) VÝROBNÍ ČÍSLO: 10) VÝROBCE: 11) Zplnomocněný zástupce a osoba pověřená komplectací technické dokumentace  12) PODPIS: 13) JMÉNO: 14) POZICE 15) Manažer kvality 16) DATUM: 17) MÍSTO:</p>	<b>čeština ( CZECH )</b>
<p>1) ES VYHLÁSENIE O ZHODE 2) DOLUPODPÍSANÝ, (13), ZASTUPUJÚCI VÝROBCU, TÝMTO DEKLARUJE, ŽE PRODUKT JE V SÚLADE S USTANOVENIAM I NASLEDOVNÝCH SMERNÍC ES  3) REFERENCIA K HARMONIZOVANÝM ŠTANDARDOM 4) IDENTIFIKÁCIA STROJOV  5) Druhové označenie : ZÁVESNÝ LODNÝ MOTOR 6) Funkcia : Systém pohonu  7) VÝROBCA/ZNAČKA 8) TYP 9) SÉRIOVÉ ČÍSLO  10) VÝROBCA 11) Autorizovaný zástupca schopný zostaviť technickú dokumentáciu 12) PODPIS 13) MENO 14) POZÍCIA  15) MANAŽÉR KVALITY 16) DÁTUM 17) MIESTO</p>	<b>slovenčina ( SLOVAK )</b>
<p>1) EF SAMSVARSÆRKLERING 2) UNDERTEGNEDE, (13), SOM REPRESENTERER FABRIKANTEN, ERKLÆRER HERVED AT PRODUKTET ER I OVERENSSTEMMELSE MED BESTEMMELSENE I FØLGENDE EU DIREKTIV  3) REFERANSER TIL HARMONISEREDE STANDARDER 4) BESKRIVELSE AV MASKINEN  5) Felles benevnelse : Utenbordsmotor 6) Funksjon : Fremdrifts system  7) FABRIKANT 8) TYPE 9) SERIE NUMMER 10) FABRIKANT 11) Autorisert representant og i stand til å utarbeide den tekniske dokumentasjonen  12) SIGNATUR 13) NAVN 14) TITTEL 15) Kvalitetssjef 16) DATO 17) STED</p>	<b>norsk (NORWEGIAN)</b>
<p>1) EB-YFIRLÝSING 2) UNDIRRITADUR HR. (13) LÝSI YFIR FYRIR HÖND FRAMLEIÐANDA AÐ VARAN UPPFYLLIR EFTIRFARANDI EC-TILSKIPANIR 3) TILVÍSUN UM HEILDARSTAÐAL 4) LÝSING Á VÉLBÚNAÐI  5) Flokkur : Utanborðsmótorar 6) Virkni : knúningsafl kerfi 7) FRAMLEIÐSLA 8) GERÐ 9) SERÍAL NÚMÉR 10) FRAMLEIÐANDI  11) Löggildir aðilar og fær um að taka saman tekniskjölín 12) UNDIRSKRIFT 13) NAFN 14) TITILL  15) Skráningarstjóri 16) DAGSETNING 17) STAÐUR</p>	<b>Íslenska (ICELANDIC)</b>
<p>1) DECLARATIE DE CONFORMITATE. 2) SUBSEMNATUL, (13), REPRESENTAND PE PRODUCATOR, DECLAR PRIN PREZE NTA CA PRODUSUL ESTE IN CONFORMITATE CU PREVEDERILE URMATOARELOR DIRECTIVE CE  3) REFERIRE LA STANDARDELE ARMONIZATE: 4) DESCRIEREA ECHIPAMENTULUI  5) Denumire generica : MOTOR IN AFARA BORDULUI (EXTERN) 6) Domeniu de utilizare : Sistem de propulsie  7) MARCA 8) TIPUL 9) NUMAR DE SERIE 10) PRODUCATOR 11) Reprezentant autorizat și abilitat să realizeze documentație tehnică  12) SEMNATURA 13) NUME 14) TITLUL 15) DIRECTOR DE CALITATE 16) DATA 17) LOCATIE</p>	<b>română (ROMANIAN)</b>

# “EC DECLARATION OF CONFORMITY” CONTENT OUTLINE

<p>1)EÜ VASTAVUSDEKLARATSIOON 2)ALLAKIRJUTANU, (13), ESINDADES TOOTJAT, DEKLAREERIB SIINKOHAL, ET TOODE ON VASTAVUSES JÄRGMISTE EC DIREKTIIVIDE SÄTETEGA  3)VIIDE ÜHTLUSTATUD STANDARDITELE: 4)MEHCHANISMI KIRJELDUS  5)Üldnimetus : Pardaväliline mootor 6) Funktsiooon : Tõukurüsteem  7)VALMISTAJA: 8)TÜÜP: 9)SEERIANUMBER:  10)TOOTJA: 11) Volitatud esindaja, kes on pädev täitma tehnilist dokumentatsiooni 12)ALLKIRI: 13)NIMI: 14)AMET  15)Kvaliteedijuht 16)KUUPÄEV: 17)KOHI:</p>	<b>esti ( ESTONIAN )</b>
<p>1) EK ATBILSTĪBAS DEKLARĀCIJA 2) ZEMĀK MINĒTAIS, (13), KĀ RAŽOTĀJA PĀRSTĀVIS AR ŠO APSTĪPRINA, KA ŠIS PRODUKTS PILNĪBĀ ATBILST VISIEM STANDARTIEM, KAS ATRUNĀTI SEKOJŠĀJĀS EC-DIREKTĪVĀS  3) Atsaucoties uz saskaņotajiem standartiem 4) Iekārtas apraksts  5) Vispārējais nosukums : Piekarināmais laivas dzinējs 6) Funkcija : Virzošā spēka sistēma  7) Preču zīme 8) Tips 9) Sērijas numurs 10) Izgatavotājs 11) Autorizētais pārstāvis, kas spēj sastādīt tehnisko dokumentāciju 12) Paraksts  13) Vārds, Uzvārds 14) Tituls 15) Kvalitātes vadītājs 16) Datums 17) Vieta</p>	<b>latviešu (LATVIAN)</b>
<p>1) EB ATITIKTIES DEKLARACIJA 2) ŽEMIAUI PASIRAŠES, (13), ATSTOVAUJANTIS GAMINTOJĀ DEKLARUOJA KAD PRODUKTAS ATITINKA REIKALAVĪMUS PAGAL ŠIAS EB DIREKTYVAS.  3) NUORODA Į HARMONIZUOTUS STANDARTUS. 4) MAŠINOS APRAŠYMAS.  5) Bendras pavadinimas : PAKABINAMAS VARIKLIS 6) Funkcija : Varomasis būdas 7) MARKĖ.  8) TIPAS 9) SERIJINIS NUMERIS. 10) GAMINTOJAS. 11) Įgaliotasis atstovas ir galintis sudaryti techninę dokumentaciją 12) PARAŠAS.  13) V. PAVARDĖ 14) PAREIGOS 15) KOKYBĖS VADYBININKAS. 16) DATA. 17) VIETA</p>	<b>lietuvių kalba ( LITHUANIAN )</b>
<p>1) ES-DEKLARACIJA O USTREZNOSTI 2) PODPISANI (13), PREDSTAVNIK PROIZVAJALCA, IZJAVLJAM DA IZDELKI USTREZAJO NASLEDNJIM DEKLARACIJAM  3) SKLADNOST Z NASLEDNJIMI STANDARDI 4) OPIS IZDELKOV  5) Vrsta stroja : Izvenkrmni motorji 6) Funkcija : Pogonski sistem  7) PROIZVAJA 8) TIP 9) SERIJSKA ŠTEVILKA 10) PROIZVAJALEC  11) Pooblašĉeni predstavnik ki lahko predloži tehniĉno dokumentacijo  12) PODPIS 13) IME 14) FUNKCIJA 15) Direktor presoje 16) DATUM 17 ) KRAJ</p>	<b>slovenščina ( SLOVENIAN )</b>
<p>1) AT UYGUNLUK BEYANI 2) AŞAĞIDA İMZASI BULUNAN VE İMALATÇININ YETKİLİ TEMSİLCİSİ OLAN (13) ÜRÜNÜN ŞU AT YÖNETMELİKLERİNİN HÜKÜMLERİNE UYGUN OLDUĞUNU BEYAN EDER.  3) UYUMLAŞTIRILMIŞ STANDARTLARA ATIF 4) MAKİNANIN TARİFİ  5) Flokkur : Diştan takma motor 6) Virkni : tahrik sistemi 7) MARKA 8) TİP  9) SERİ NUMARASI 10) İMALATÇI 11) Teknik dosyayı hazırlamakla yetkili olan Toplulukta yerleşik yetkili temsilci  12) İMZA 13) ADI 14) ÜNVANI 15) Homologasyon Yöneticisi 16) TARİH 17) YER</p>	<b>Türk (TURKISH)</b>
<p>1)EK-İZJAVA O SUKLADNOSTI 2)POTPISANI (13), PREDSTAVNIK PROIZVOĐAČA, IZJAVLJUJE DA JE PROIZVOD U SUKLADNOSTI S ODREDBAMA SLJEDEĆEG EK PROPISA  3)REFERENCA NA USKLAĐENE NORME 4)OPIS STROJA  5)Opća vrijednost : Vanbrodski motor 6)Funkcionalnost : Pogonski sustav  7)IZRADIO 8)TIP  9)SERIJSKI BROJ 10)PROIZVOĐAČ 11) Ovlašteni predstavnik i osoba za sastavljanje tehniĉke dokumentacije 12) POTPIS 13) IME  14) TITULA 15) Upravitelj homologacije 16) DATUM 17) MJESTO</p>	<b>hrvatski (CROATIAN)</b>

---

<b>A</b>		<b>F</b>	
Adjusting Bolt .....	16	Fuel	
Anode Metal .....	15	Filler Cap Vent Knob .....	17
		Level .....	25
<b>C</b>		Storage .....	61
CE mark location .....	9	Valve Lever .....	13
Choke Knob .....	11		
Clamp Screws .....	17	<b>G</b>	
Cleaning and Flushing .....	47	Gasoline Containing Alcohol .....	26
Component Identification .....	10	Gear Oil Change .....	53
Controls .....	11		
		<b>H</b>	
<b>D</b>		High Altitude Operation .....	40
Disposal .....	65		
Draining the Gasoline .....	62	<b>I</b>	
		Installation .....	18
<b>E</b>		Height .....	19
“EC DECLARATION OF CONFORMITY”		Location .....	18
Content Outline .....	74		
Emergency		<b>L</b>	
Starting .....	32	Lubrication .....	57
Stop Switch .....	11		
Stop Switch Lanyard/Clip .....	14		
Engine			
Cover Retaining Strap .....	16		
Oil Change .....	52		
Oil Level .....	23		
Inspection Window .....	13		



# INDEX

---

## M

Maintenance .....	48
Schedule .....	50
Major Honda Distributor Addresses .....	70
Motor	
Angle .....	20, 21
Attachment .....	20

## O

Operation .....	35
-----------------	----

## P

Pre-Operation Checks .....	22
Other Checks .....	27
Removing/Installing Engine Cover .....	22

## S

Safety .....	6
Information .....	6
Safety Label Locations .....	8
Servicing a Submerged Outboard Motor .....	59
Shallow Water Operation .....	40
Shear Pin Change .....	58
Spark Plug Service .....	55
Specifications .....	68, 69
Starter Grip .....	11
Starter Rope Check .....	54
Starting the Engine .....	28

Starting Problems .....	34
Steering Friction Bolt .....	16
Stopping the Engine .....	41
Storage .....	61
Engine Oil .....	63
Fuel .....	61
Position of the Outboard Motor .....	63

## T

Throttle	
Grip .....	12
Grip Friction Knob .....	13
Tilt Lever .....	15
Tilting the Outboard Motor .....	38
Tool Kit and Spare Parts .....	49
Trailering .....	46
Transom	
Angle Adjusting Bolt and Wing Nut .....	16
Height .....	18
Transporting .....	43
Troubleshooting .....	66
Starting Problems .....	34

## U

“UK DECLARATION OF CONFORMITY”	
Content Outline .....	73

# HONDA

32ZVA606  
00X32-ZVA-6060



英 (AB) 0000.00AA.AA  
Printed in China