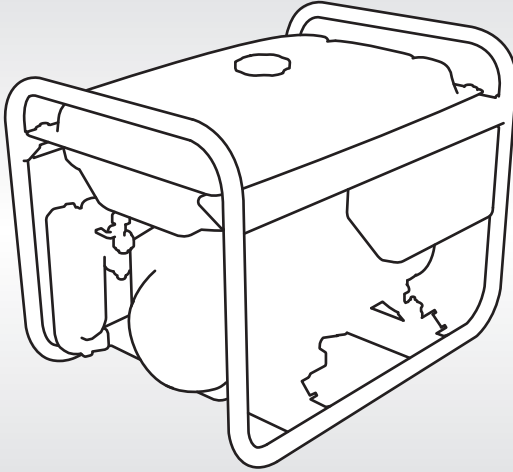


**HONDA**

**GENERATOR  
ER2500CX**



**OWNER'S MANUAL  
MANUAL DE EXPLICACIONES**

دليل المالك

**Honda ER2500CX**

**OWNER'S MANUAL**

**MANUAL DE EXPLICACIONES**

**دليل المالك**

Keep this owner's manual handy so that you can refer to it at any time. This owner's manual is considered a permanent part of the generator and should remain with the generator if resold.

The information and specifications included in this publication were in effect at the time of approval for printing. Honda Motor Co., Ltd. reserves the right, however, to discontinue or change specifications or design at any time without notice and without incurring any obligation whatsoever.

# INTRODUCTION

Congratulations on your selection of a Honda generator. We are certain you will be pleased with your purchase of one of the finest generators in the market.

We want to help you get the best results from your new generator and to operate it safely. This manual contains all the information on how to do that; please read it carefully.

As you read this manual, you will find information preceded by a **NOTICE** symbol. That information is intended to help you avoid damage to your generator, other property, or the environment.

We suggest you read the warranty policy to fully understand its coverage and your responsibilities of ownership.

When your generator needs scheduled maintenance, keep in mind that your authorized Honda servicing dealer is specially trained in servicing Honda generators. Your authorized Honda servicing dealer is dedicated to your satisfaction and will be pleased to answer your questions and concerns.

Best Wishes,  
Honda Motor Co., Ltd.

---


## A FEW WORDS ABOUT SAFETY

Your safety and the safety of others are very important. And using this generator safely is an important responsibility.

To help you make informed decisions about safety, we have provided operating procedures and other information on labels and in this manual. This information alerts you to potential hazards that could hurt you or others.

Of course, it is not practical or possible to warn you about all the hazards associated with operating or maintaining a generator. You must use your own good judgement.

You will find important safety information in a variety of forms, including:

- **Safety Labels** — on the generator.
- **Safety Messages** — preceded by a safety alert symbol  and one of three signal words, DANGER, WARNING, or CAUTION.

These signal words mean:

 **DANGER**

You WILL be KILLED or SERIOUSLY HURT if you don't follow instructions.

 **WARNING**

You CAN be KILLED or SERIOUSLY HURT if you don't follow instructions.

 **CAUTION**

You CAN be HURT if you don't follow instructions.

- **Safety Headings** — such as *IMPORTANT SAFETY INFORMATION*.
- **Safety Section** — such as *GENERATOR SAFETY*.
- **Instructions** — how to use this generator correctly and safely.

This entire book is filled with important safety information — please read it carefully.

# CONTENTS

<b>GENERATOR SAFETY</b> .....	<b>6</b>
<b>IMPORTANT SAFETY INFORMATION</b> .....	<b>6</b>
Operator Responsibility .....	6
Carbon Monoxide Hazards .....	6
Electric Shock Hazards .....	7
Fire and Burn Hazards .....	7
Refuel With Care .....	8
<b>SAFETY LABEL LOCATION</b> .....	<b>9</b>
<b>CONTROLS &amp; FEATURES</b> .....	<b>12</b>
<b>COMPONENT &amp; CONTROL LOCATIONS</b> .....	<b>12</b>
<b>CONTROLS</b> .....	<b>14</b>
Fuel Valve Lever .....	14
Choke Lever .....	14
Engine Switch .....	15
Starter Grip .....	15
AC Circuit Breaker .....	15
Power Plug .....	16
<b>FEATURES</b> .....	<b>17</b>
Oil Alert System .....	17
Ground Terminal .....	17
Fuel Gauge .....	18
<b>BEFORE OPERATION</b> .....	<b>19</b>
<b>ARE YOU READY TO GET STARTED?</b> .....	<b>19</b>
Knowledge .....	19
<b>IS YOUR GENERATOR READY TO GO?</b> .....	<b>19</b>
Check the Engine .....	20

# CONTENTS

---

<b>OPERATION</b> .....	<b>21</b>
SAFE OPERATING PRECAUTIONS .....	21
STARTING THE ENGINE .....	22
STOPPING THE ENGINE .....	24
AC OPERATION .....	25
AC Applications .....	26
STANDBY POWER.....	27
Connections to a Building's Electrical System .....	27
System Ground .....	27
Special Requirements .....	28
<b>SERVICING YOUR GENERATOR</b> .....	<b>29</b>
THE IMPORTANCE OF MAINTENANCE .....	29
MAINTENANCE SAFETY .....	30
Safety Precautions .....	30
MAINTENANCE SCHEDULE .....	31
REFUELING.....	32
FUEL RECOMMENDATIONS.....	34
ENGINE OIL LEVEL CHECK .....	35
ENGINE OIL CHANGE .....	36
ENGINE OIL RECOMMENDATIONS .....	38
AIR CLEANER SERVICE.....	39
AIR FILTER CLEANING .....	41
SEDIMENT CUP CLEANING .....	42
SPARK PLUG SERVICE.....	43
<b>STORAGE</b> .....	<b>45</b>
STORAGE PREPARATION.....	45
Cleaning.....	45
Fuel.....	45
STORAGE PROCEDURE.....	46
STORAGE PRECAUTIONS .....	48
REMOVAL FROM STORAGE .....	48

<b>TRANSPORTING</b> .....	<b>49</b>
BEFORE TRANSPORTING .....	49
WHEN TRANSPORTING THE GENERATOR .....	49
Transporting the Generator by Truck .....	50
<b>TAKING CARE OF UNEXPECTED PROBLEMS</b> .....	<b>51</b>
ENGINE WILL NOT START .....	51
ENGINE LACKS POWER .....	51
NO POWER AT THE AC RECEPTACLE .....	52
<b>TECHNICAL INFORMATION</b> .....	<b>53</b>
SERIAL NUMBER LOCATIONS .....	53
CARBURETOR MODIFICATION FOR HIGH ALTITUDE OPERATION .....	54
SPECIFICATIONS .....	55
WIRING DIAGRAM .....	56



# GENERATOR SAFETY

## IMPORTANT SAFETY INFORMATION

Honda generators are designed for use with electrical equipment that has suitable power requirements. Other uses can result in injury to the operator or damage to the generator and other property.

Most injuries or property damage can be prevented if you follow all instructions in this manual and on the generator. The most common hazards are discussed below, along with the best way to protect yourself and others.

### Operator Responsibility

- Know how to stop the generator quickly in case of emergency.
- Understand the use of all generator controls, output receptacles, and connections.
- Be sure that anyone who operates the generator receives proper instruction. Do not let children operate the generator without parental supervision.

### Carbon Monoxide Hazards

A generator's exhaust contains toxic carbon monoxide, which you cannot see or smell. Breathing carbon monoxide can KILL YOU IN MINUTES. To avoid carbon monoxide poisoning, follow these instructions when operating a generator:

- Only run a generator OUTSIDE, far away from windows, doors, and vents.
- Never operate a generator inside a house, garage, basement, crawl space, or any enclosed or partially enclosed space.
- Never operate a generator near open doors or windows.
- Get fresh air and seek medical attention immediately if you suspect you have inhaled carbon monoxide.

Early symptoms of carbon monoxide exposure include headache, fatigue, shortness of breath, nausea, and dizziness. Continued exposure to carbon monoxide can cause loss of muscular coordination, loss of consciousness, and then death.

## Electric Shock Hazards

- The generator produces enough electric power to cause a serious shock or electrocution if misused.
- Do not use in wet conditions. Keep the generator dry.
  - Do not use in the rain or snow.
  - Do not use near a pool or sprinkler system.
  - Do not use when your hands are wet.
- If the generator is stored outdoors, unprotected from the weather, check all of the electrical components on the control panel before each use. Moisture or ice can cause a malfunction or short circuit in electrical components that could result in electrocution.
- Do not connect to a building's electrical system unless an isolation switch has been installed by a qualified electrician.

## Fire and Burn Hazards

- The exhaust system gets hot enough to ignite some materials.
  - Keep the generator at least 1 meter away from buildings and other equipment during operation.
  - Do not enclose the generator in any structure.
  - Keep flammable materials away from the generator.
- The muffler becomes very hot during operation and remains hot for a while after stopping the engine. Be careful not to touch the muffler while it is hot. Let the engine cool before storing the generator indoors.

# GENERATOR SAFETY

---

## Refuel With Care

Gasoline is extremely flammable, and gasoline vapor can explode.

Do not refuel during operation.

Allow the engine to cool if it has been in operation.

Refuel only outdoors in a well-ventilated area and on a level surface.

Never smoke near gasoline, and keep other flames and sparks away.

Do not overfill the fuel tank.

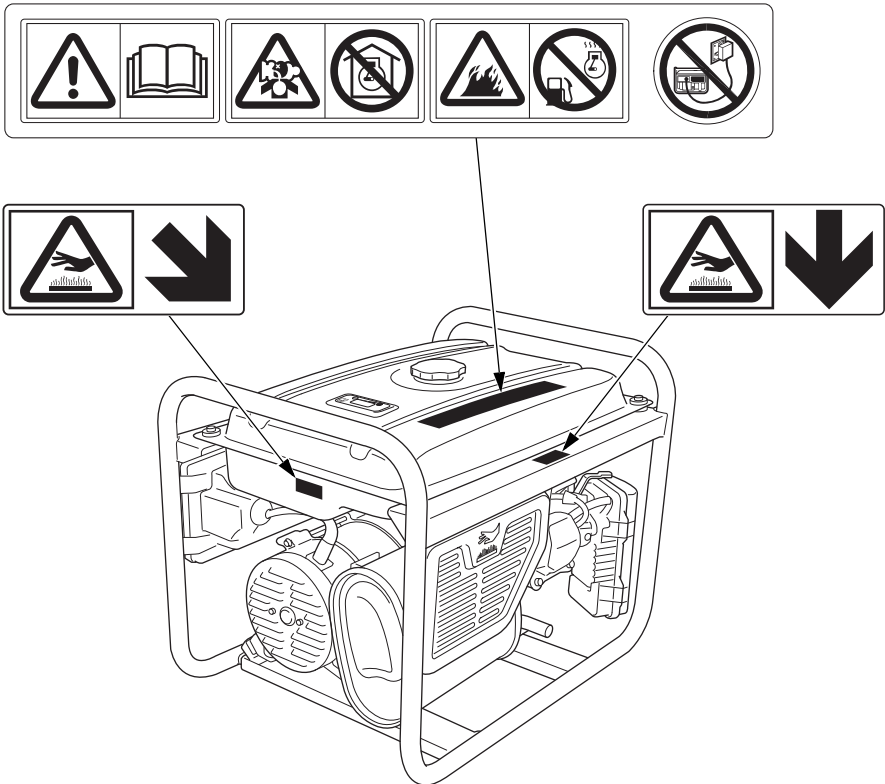
Make sure that any spilled fuel has been wiped up before starting the engine.

Always store gasoline in an approved container.

## SAFETY LABEL LOCATION

These labels warn you of potential hazards that can cause serious injury.

Read them carefully. If a label comes off or becomes hard to read, contact your servicing dealer for a replacement.



# GENERATOR SAFETY

---



- **Honda generator is designed to give safe and dependable service if operated according to instructions.**  
**Read and understand the Owner's Manual before operating the generator. Failure to do so could result in personal injury or equipment damage.**



- **Exhaust contains poisonous carbon monoxide, a colorless, odorless gas. Breathing carbon monoxide can cause loss of consciousness and may lead to death.**
- **If you run the generator in an area that is confined, or even partially enclosed area, the air you breathe could contain a dangerous amount of exhaust gas.**
- **Never run your generator inside a garage, house or near open windows or doors.**



- **Gasoline is highly flammable and explosive. Turn the engine off and let it cool before refueling.**

# GENERATOR SAFETY



- Do not connect to a building's electrical system unless an isolation switch has been installed by a qualified electrician.
- Connections for standby power to a building's electrical system must be made by a qualified electrician and must comply with all applicable laws and electrical codes. Improper connections can allow electrical current from the generator to backfeed into the utility lines. Such backfeed may electrocute utility company workers or others who contact the lines during a power outage, and when utility power is restored, the generator may explode, burn, or cause fires in the building's electrical system.

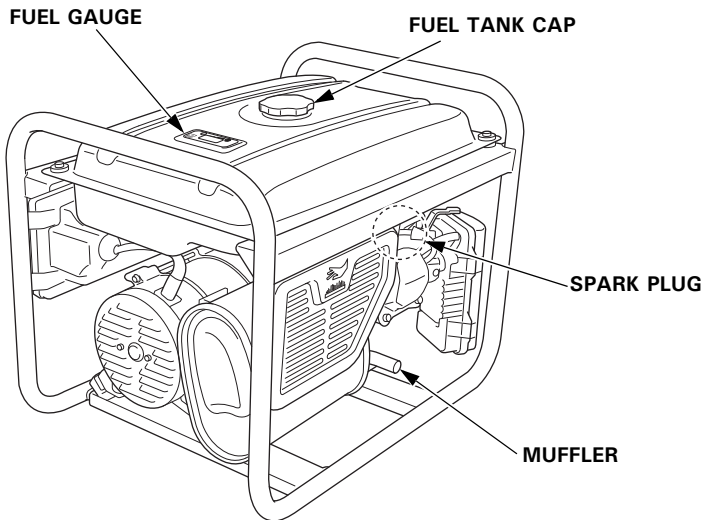
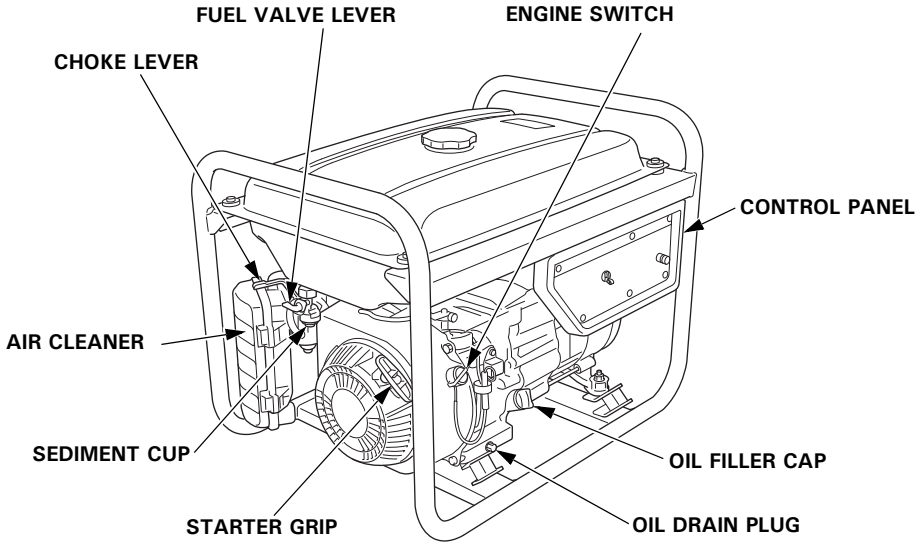


- A hot exhaust system can cause serious burns. Avoid contact if the engine has been running.

# CONTROLS & FEATURES

## COMPONENT & CONTROL LOCATIONS

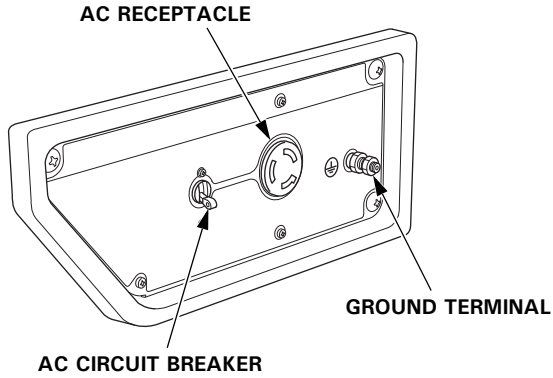
Use the illustrations on these pages to locate and identify the most frequently used controls.



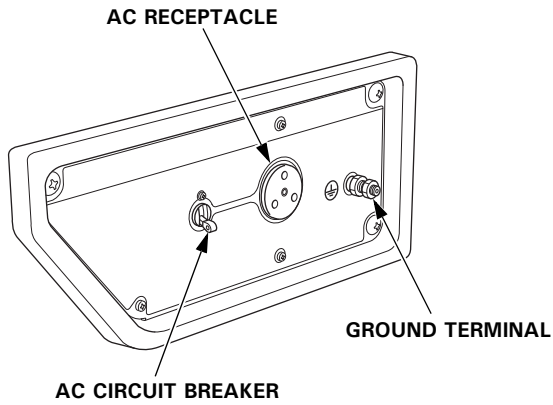
# CONTROLS & FEATURES

## CONTROL PANEL

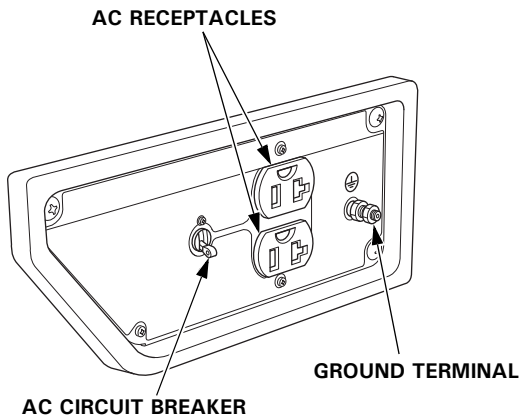
### K, R, RE, S types



### M type



### L type





# CONTROLS & FEATURES

---

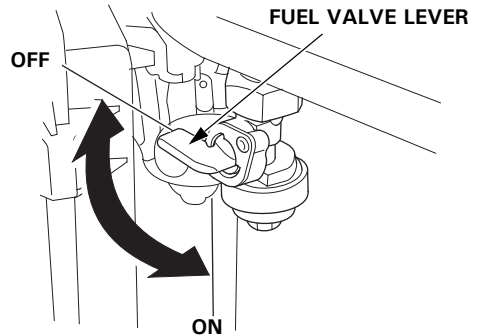
## CONTROLS

### Fuel Valve Lever

The fuel valve lever is located between the fuel tank and carburetor.

The fuel valve lever must be in the ON position for the engine to run.

After stopping the engine, turn the fuel valve lever to the OFF position.

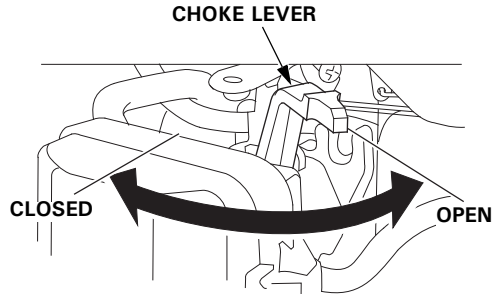


### Choke Lever

The choke lever opens and closes the choke valve in the carburetor.

The CLOSED position enriches the fuel mixture for starting a cold engine.

The OPEN position provides the correct fuel mixture for operation after starting, and for restarting a warm engine.

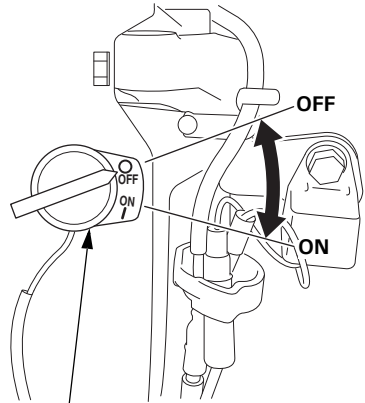


## Engine Switch

The engine switch controls the ignition system.

OFF – Stops the engine.

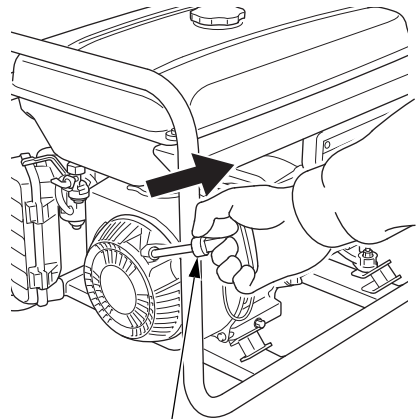
ON – Running position, and for starting.



**ENGINE SWITCH**

## Starter Grip

Pulling the starter grip operates the recoil starter to crank the engine for starting.

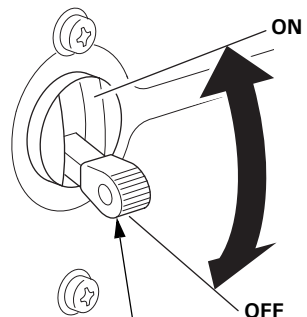


**STARTER GRIP**

## AC Circuit Breaker

The circuit breaker will automatically switch OFF, if there is a short circuit or a significant overload at the receptacle.

The circuit breaker may be used to switch the generator power ON or OFF.



**AC CIRCUIT BREAKER**

# CONTROLS & FEATURES

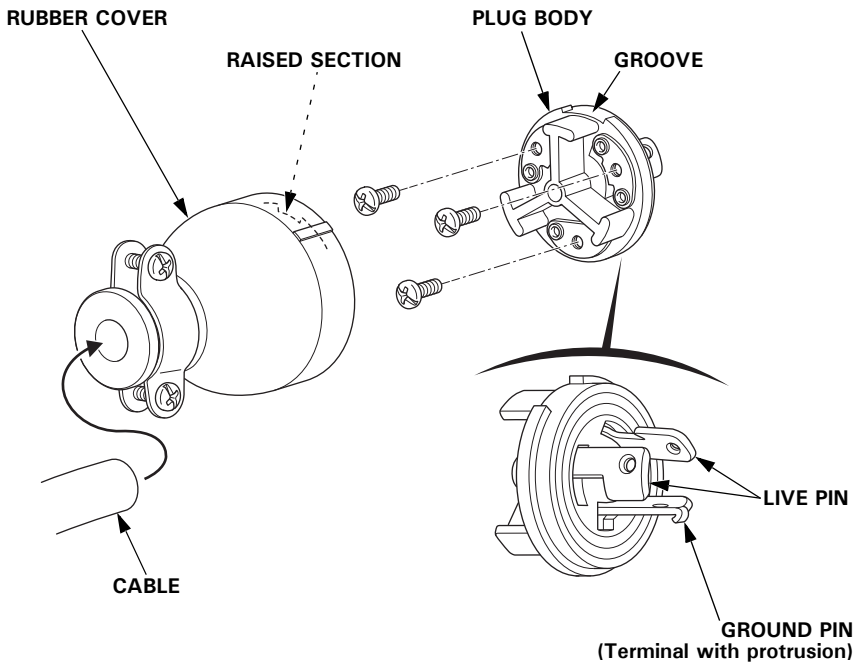
---

## Power Plug

This generator is bundled with a power plug corresponding to the outlet equipped on the generator (K, R, RE, L, S types).

Cable connections should be serviced by electrical technicians, unless you have the proper tools and are electrically proficient. Electrical work should be performed by qualified electrical technicians in accordance with all applicable laws and electrical codes.

### Example: K, R, RE, S types



## FEATURES

### Oil Alert System

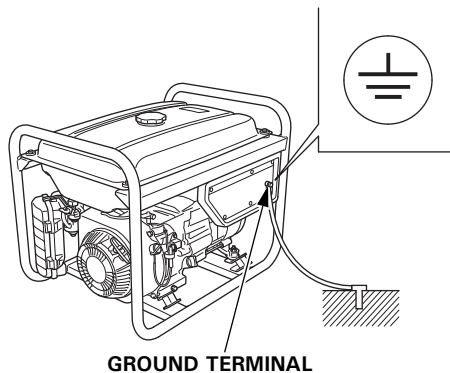
The Oil Alert system is designed to prevent engine damage caused by an insufficient amount of oil in the crankcase. Before the oil level in the crankcase can fall below a safe limit, the Oil Alert system will automatically stop the engine (the engine switch will remain in the ON position).

If the engine stops and will not restart, check the engine oil level (see page 35) before troubleshooting in other areas.

### Ground Terminal

The ground terminal is connected to the frame of the generator, the metal non current carrying parts of the generator, and the ground terminal of receptacle.

Before using the ground terminal, consult a qualified electrician, electrical inspector, or local agency having jurisdiction for local codes or ordinances that apply to the intended use of the generator.

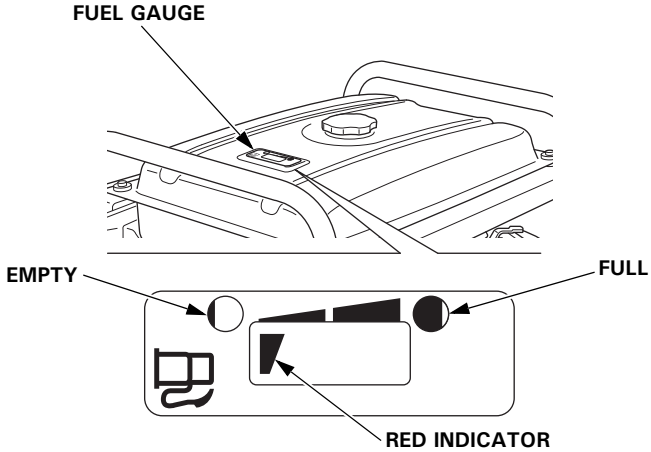


# CONTROLS & FEATURES

---

## Fuel Gauge

The fuel gauge is a mechanical device that measures the fuel level in the tank. The red indicator in the window will reference the level in relation to full or empty. To provide increased operating time, start with a full tank before beginning operation. Check the fuel level with the generator on a level surface. Always refuel with the engine OFF and cool.



# BEFORE OPERATION

## ARE YOU READY TO GET STARTED?

Your safety is your responsibility. A little time spent in preparation will significantly reduce your risk of injury.

### Knowledge

Read and understand this manual. Know what the controls do and how to operate them.

Familiarize yourself with the generator and its operation before you begin using it. Know how to quickly shut off the generator in case of an emergency.

If the generator is being used to power appliances, be sure that they do not exceed the generator's load rating (see page 26).

## IS YOUR GENERATOR READY TO GO?

For your safety, to ensure compliance with environmental regulations, and to maximize the service life of your equipment, it is very important to take a few moments before you operate the generator to check its condition. Be sure to take care of any problem you find, or have your servicing dealer correct it, before you operate the generator.

### **⚠ WARNING**

Improperly maintaining this generator, or failing to correct a problem before operation, could cause a malfunction in which you could be seriously injured.

Always perform a pre-operation inspection before each operation, and correct any problem.

To prevent a possible fire, keep the generator at least 1 meter away from building walls and other equipment during operation. Do not place flammable objects close to the engine.

# BEFORE OPERATION

---

Before beginning your pre-operation checks, be sure the generator is on a level surface and the engine switch is in the OFF position.

## NOTICE

*Operating this generator less than 1 meter from a building or other obstruction can cause overheating and damage the generator. For proper cooling, allow at least 1 meter of empty space above and around the generator.*

## Check the Engine

- Before each use, look around and underneath the engine for signs of oil or gasoline leaks.
- Check the oil level (see page 35). A low oil level will cause the Oil Alert system to shut down the engine.
- Check the air filter (see page 39). A dirty air filter will restrict air flow to the carburetor, reducing engine and generator performance.
- Check the fuel level (see page 32). Starting with a full tank will help to eliminate or reduce operating interruptions for refueling.

# OPERATION

## SAFE OPERATING PRECAUTIONS

Before operating the generator for the first time, review chapters *GENERATOR SAFETY* (see page 6) and *BEFORE OPERATION* (see page 19).

For your safety, do not operate the generator in an enclosed area such as a garage. Your generator's exhaust contains poisonous carbon monoxide gas that can collect rapidly in an enclosed area and cause illness or death.

### **WARNING**

Exhaust contains poisonous carbon monoxide gas that can build up to dangerous levels in closed areas. Breathing carbon monoxide can cause unconsciousness or death.

Never run the generator in a closed, or even partly closed area where people may be present.

Before connecting an AC appliance or power cord to the generator:

- Use grounded 3 prong extension cords, tools, and appliances, or double insulated tools and appliances.
- Inspect cords and plugs, and replace if damaged.
- Make sure that the appliance is in good working order. Faulty appliances or power cords can create a potential for electric shock.
- Make sure the electrical rating of the tool or appliance does not exceed the rated power of the generator or the receptacle being used.
- Operate the generator at least 1 meter away from buildings and other equipment.
- Do not operate the generator in an enclosed structure.
- Do not place flammable objects close to the engine.



# OPERATION

---

## STARTING THE ENGINE

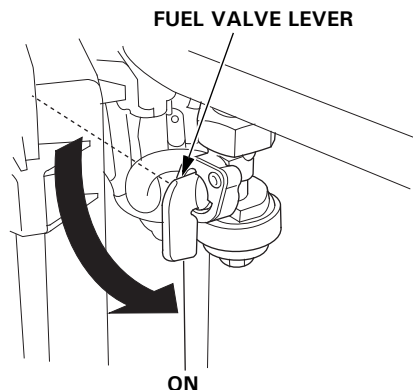
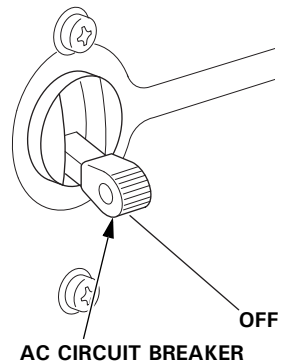
To prevent a possible fire, keep the generator at least 1 meter away from building walls and other equipment during operation. Do not place flammable objects close to the engine.

### NOTICE

*Operating this generator less than 1 meter from a building or other obstruction can cause overheating and damage the generator. For proper cooling, allow at least 1 meter of empty space above and around the generator.*

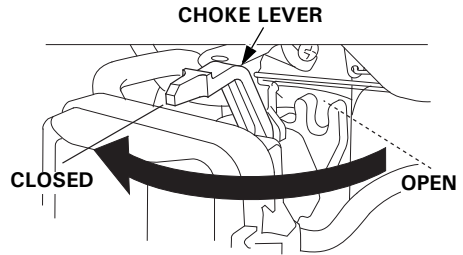
Refer to *SAFE OPERATING PRECAUTIONS* on page 21 and perform the *IS YOUR GENERATOR READY TO GO?* checks (see page 19). Refer to *AC OPERATION* (see page 25) for connecting loads to the generator.

1. Make sure that all appliances are disconnected from the AC receptacle.
2. Make sure that the AC circuit breaker is in the OFF position.
3. Turn the fuel valve lever to the ON position.

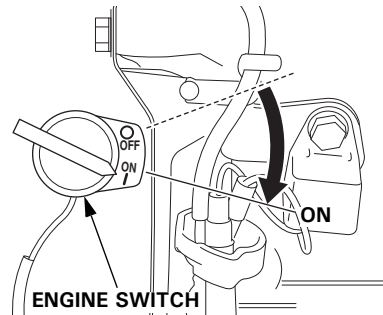


4. Move the choke lever to the CLOSED position to start a cold engine.

Leave the choke lever in the OPEN position to restart a warm engine.



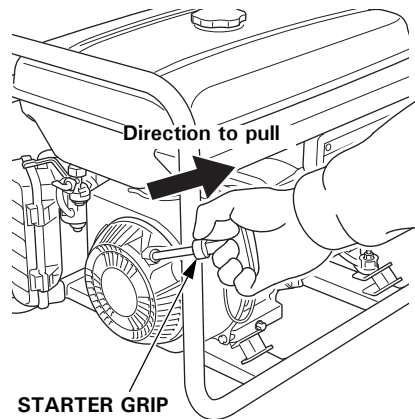
5. Turn the engine switch to the ON position.



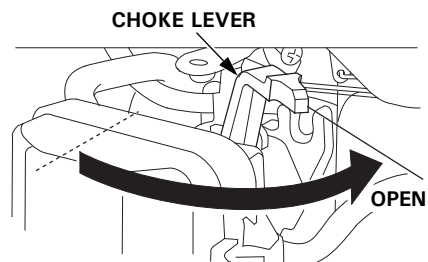
6. Pull the starter grip lightly until you feel resistance, then pull briskly in the direction of the arrow as shown.

**NOTICE**

- Do not allow the starter grip to snap back against the generator. Return it gently to prevent damage to the starter.
- Do not let the starter rope rub against the generator body, or the rope will wear out prematurely.



7. If the choke lever was moved to the CLOSED position to start the engine, gradually move it to the OPEN position as the engine warms up.



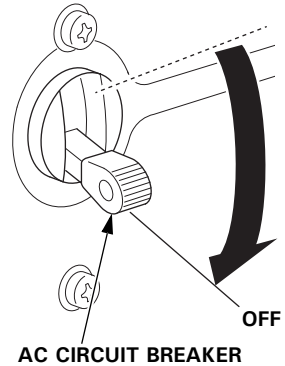
# OPERATION

---

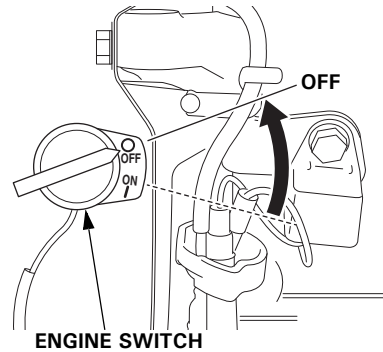
## STOPPING THE ENGINE

To stop the engine in an emergency, simply turn the engine switch to the OFF position. Under normal conditions, use the following procedure.

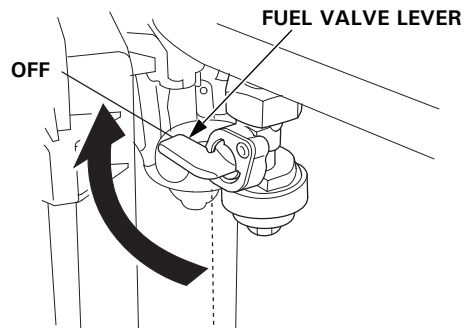
1. Move the AC circuit breaker to the OFF position.



2. Turn the engine switch to the OFF position.



3. Turn the fuel valve lever to the OFF position.



## AC OPERATION

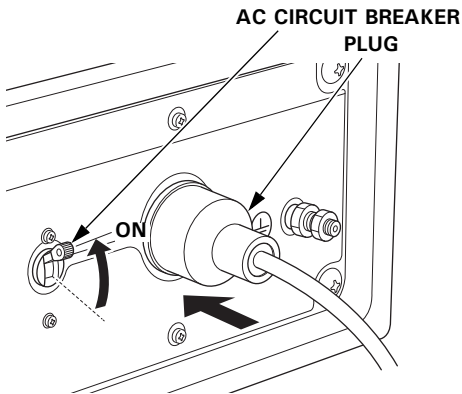
If an appliance begins to operate abnormally, becomes sluggish or stops suddenly, turn it off immediately. Disconnect the appliance, and determine whether the problem is in the appliance or the rated load capacity of the generator has been exceeded.

### NOTICE

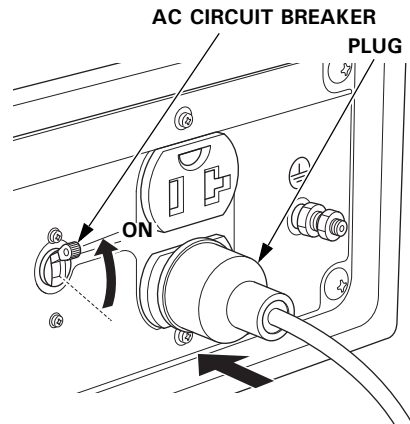
*Substantial overloading may damage the generator. Marginal overloading may shorten the service life of the generator.*

1. Start the engine (see page 22).
2. Switch ON the AC circuit breaker.
3. Plug in the appliance.  
Most motorized appliances require more than their rated wattage for startup.

### K, M, R, RE, S types



### L type



# OPERATION

---

## AC Applications

Before connecting an appliance or power cord to the generator:

- Make sure that it is in good working order. A faulty appliance or power cord can create a potential for electrical shock.
- If an appliance begins to operate abnormally, becomes sluggish, or stops suddenly, turn it off immediately. Disconnect the appliance, and determine whether the problem is the appliance or the rated load capacity of the generator has been exceeded.

Most appliance motors require more than their rated wattage for startup.

Make sure the electrical rating of the tool or appliance does not exceed the maximum power rating of the generator.

Maximum power is:

K, M, R, RE types: 2.2 kVA

L, S types: 2.5 kVA

For continuous operation, do not exceed the rated power.

Rated power is:

K, M, R, RE types: 2.0 kVA

L, S types: 2.3 kVA

In either case, the total power requirements (VA) of all appliances connected must be considered. Appliance and power tool manufacturers usually list rating information near the model number or serial number.

### NOTICE

*Substantial overloading will open the circuit breaker. Slightly overloading the generator may not switch the circuit breaker OFF, but will shorten the service life of the generator.*

## STANDBY POWER

### Connections to a Building's Electrical System

Connections for standby power to a building's electrical system must be made by a qualified electrician. The connection must isolate the generator power from utility power, and must comply with all applicable laws and electrical codes.

#### **⚠ WARNING**

Improper connections to a building's electrical system can allow current from the generator to backfeed into the utility lines.

Such backfeed may electrocute utility company workers or others who contact the lines during a power outage, and the generator may explode, burn, or cause fires when utility power is restored.

Consult the utility company or a qualified electrician prior to making any power connections.

In some areas, generators are required by law to be registered with local utility companies. Check local regulations for proper registration and use procedures.

### System Ground

This generator has a system ground that connects the generator frame components to the ground terminals in the AC output receptacles. The system ground is not connected to the AC neutral wire.

# OPERATION

---

## Special Requirements

### NOTICE

*Do not lay the generator on its side when moving, storing, or operating it. Oil may leak and damage the engine or your property.*

There may be applicable laws, local codes, or ordinances that apply to the intended use of the generator. Please consult a qualified electrician, electrical inspector, or the local agency having jurisdiction.

- In some areas, generators are required to be registered with local utility companies.
- If the generator is used at a construction site, there may be additional regulations that must be observed.

# SERVICING YOUR GENERATOR

## THE IMPORTANCE OF MAINTENANCE

Good maintenance is essential for safe, economical, and trouble free operation. It will also help reduce air pollution.

To help you properly care for your generator, the following pages include a maintenance schedule, routine inspection procedures, and simple maintenance procedures using basic hand tools. Other service tasks that are more difficult or require special tools are best handled by professionals and are normally performed by a Honda technician or other qualified mechanic.

The maintenance schedule applies to normal operating conditions. If you operate your generator under unusual conditions, such as sustained high load or high temperature operation, or use it in dusty conditions, consult your authorized Honda servicing dealer for recommendations applicable to your individual needs and use.

### **WARNING**

Improper maintenance, or failure to correct a problem before operation, can cause a malfunction in which you can be seriously hurt or killed.

Always follow the inspection and maintenance recommendations and schedules in this owner's manual.

Remember that your authorized Honda servicing dealer knows your generator best and is fully equipped to maintain and repair it.

To ensure the best quality and reliability, use only new, Honda Genuine parts or their equivalents for repair and replacement.



# SERVICING YOUR GENERATOR

---

## MAINTENANCE SAFETY

Some of the most important safety precautions follow. However, we cannot warn you of every conceivable hazard that can arise in performing maintenance. Only you can decide whether or not you should perform a given task.

### **⚠ WARNING**

Failure to properly follow maintenance instructions and precautions can cause you to be seriously hurt or killed.

Always follow the procedures and precautions in the owner's manual.

## Safety Precautions

Make sure the engine is off before you begin any maintenance or repairs. This will eliminate several potential hazards:

- **Carbon monoxide poisoning from engine exhaust.**  
Operate outside away from open windows or doors.
- **Burns from hot parts.**  
Let the engine and exhaust system cool before touching.
- **Injury from moving parts.**  
Do not run the engine unless instructed to do so.
- Read the instructions before you begin, and make sure you have the tools and skills required.
- To reduce the possibility of fire or explosion, be careful when working around gasoline. Use only a nonflammable solvent, not gasoline, to clean parts. Keep cigarettes, sparks, and flames away from all fuel related parts.

# SERVICING YOUR GENERATOR

## MAINTENANCE SCHEDULE

REGULAR SERVICE PERIOD (3) Perform at every indicated month or operating hour interval, whichever comes first.		Each use	First month or 20 hrs.	Every 3 months or 50 hrs.	Every 6 months or 100 hrs.	Every year or 300 hrs.	Page	
ITEM								
Engine oil	Check level	o					35	
	Change		o		o		36	
Air cleaner	Check	o					39	
	Clean			o (1)			41	
Sediment cup	Clean				o		42	
Spark plug	Check-adjust				o		43	
	Replace					o	43	
Valve clearance	Check-adjust					o (2)	—	
Combustion chamber	Clean	After every 500 hrs. (2)						—
Fuel tank and filter	Clean				o (2)		—	
Fuel tube	Check	Every 2 years (Replace if necessary) (2)						—

(1) Service more frequently when used in dusty areas.

(2) These items should be serviced by your servicing dealer, unless you have the proper tools and are mechanically proficient. Refer to the Honda shop manual for service procedures.

(3) For commercial use, log hours of operation to determine proper maintenance intervals.

Failure to follow this maintenance schedule could result in nonwarrantable failures.

## Tools

A box wrench and wrench handle are supplied with the generator. Use the supplied tools to perform maintenance tasks. Using an incorrect tool may damage the generator.

# SERVICING YOUR GENERATOR

---

## REFUELING

With the engine stopped, check the fuel gauge. Refill the fuel tank if the fuel level is low.

### **⚠ WARNING**

Gasoline is highly flammable and explosive.

You can be burned or seriously injured when handling fuel.

- Stop the engine and keep heat, sparks, and flame away.
- Handle fuel only outdoors.
- Wipe up spills immediately.

### **NOTICE**

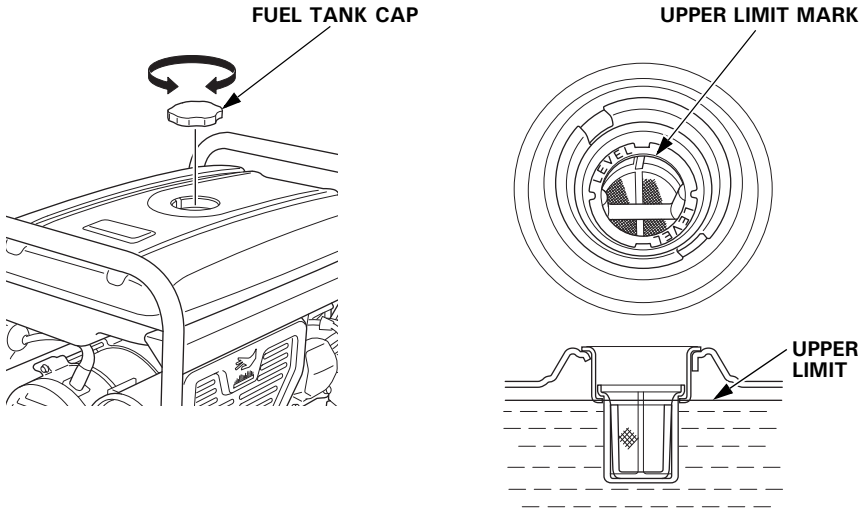
*Fuel can damage paint and plastic. Be careful not to spill fuel when filling your fuel tank. Damage caused by spilled fuel is not covered under warranty.*

Refuel in a well-ventilated area before starting the engine. If the engine has been running, allow it to cool. Refuel carefully to avoid spilling fuel. Do not fill the fuel tank above the upper limit mark on the fuel strainer.

Never refuel the engine inside a building where gasoline fumes may reach flames or sparks. Keep gasoline away from appliance pilot lights, barbecues, electric appliances, power tools, etc.

Spilled fuel is not only a fire hazard, it causes environmental damage. Wipe up spills immediately.

# SERVICING YOUR GENERATOR



After refueling, reinstall the fuel tank cap securely.

# SERVICING YOUR GENERATOR

---

## FUEL RECOMMENDATIONS

Use automotive unleaded gasoline with a Research Octane Number of 91 or higher (a Pump Octane Number of 86 or higher).

Never use stale or contaminated gasoline or an oil/gasoline mixture. Avoid getting dirt or water in the fuel tank.

You may use regular unleaded gasoline containing no more than 10% ethanol (E10) or 5% methanol by volume. In addition, methanol must contain cosolvents and corrosion inhibitors.

Use of fuels with content of ethanol or methanol greater than shown above may cause starting and/or performance problems. It may also damage metal, rubber, and plastic parts of the fuel system.

Engine damage or performance problems that result from using a fuel with percentages of ethanol or methanol greater than shown above are not covered under warranty.

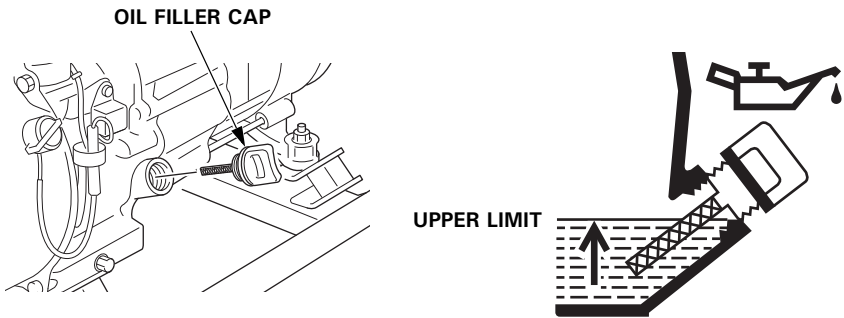
If your equipment will be used on an infrequent basis, please refer to the fuel section of the STORAGE chapter (see page 45) for additional information regarding fuel deterioration.

# SERVICING YOUR GENERATOR

## ENGINE OIL LEVEL CHECK

Check the engine oil level with the engine stopped and in a level position.

1. Remove the oil filler cap.
2. Check the oil level. If it is below the upper limit, fill with the recommended oil (see page 38) to the upper limit.
3. Reinstall the oil filler cap securely.



The Oil Alert system will automatically stop the engine before the oil level falls below safe limits. However, to avoid the inconvenience of an unexpected shutdown, check the oil level regularly.

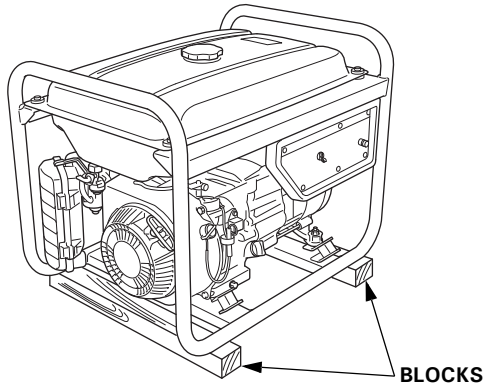
# SERVICING YOUR GENERATOR

---

## ENGINE OIL CHANGE

Drain the oil while the engine is warm to assure rapid and complete draining.

1. Place blocks under the generator, and check that the generator is in a suitable and level position.



2. Place a suitable container below the engine to catch the used oil, and then remove the oil filler cap, drain plug, and sealing washer.
3. Allow the used oil to drain completely, and then reinstall the drain plug and a new sealing washer. Tighten the plug securely.

### NOTICE

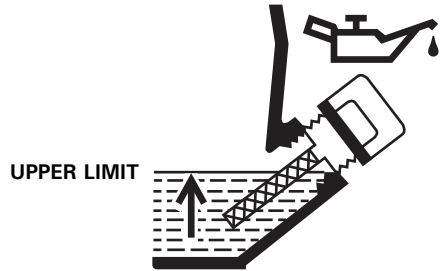
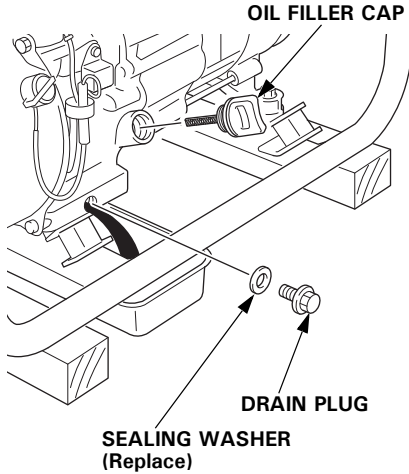
*Improper disposal of engine oil can be harmful to the environment. If you change your own oil, please dispose of the used oil properly. Put it in a sealed container, and take it to a recycling center. Do not discard it in a trash bin, dump it on the ground, or pour it down the drain.*

# SERVICING YOUR GENERATOR

4. With the generator in a level position, fill with the recommended oil (see page 38) to the outer edge of the oil filler hole.

5. Reinstall the oil filler cap securely.

Wash your hands with soap and water after handling used oil.





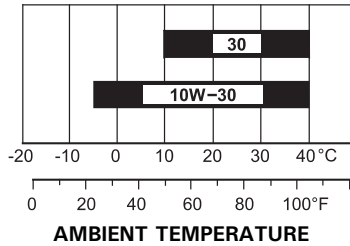
# SERVICING YOUR GENERATOR

---

## ENGINE OIL RECOMMENDATIONS

Oil is a major factor affecting performance and service life. Use 4-stroke automotive detergent oil.

SAE 10W–30 is recommended for general use. Other viscosities shown in the chart may be used when the average temperature in your area is within the recommended range.

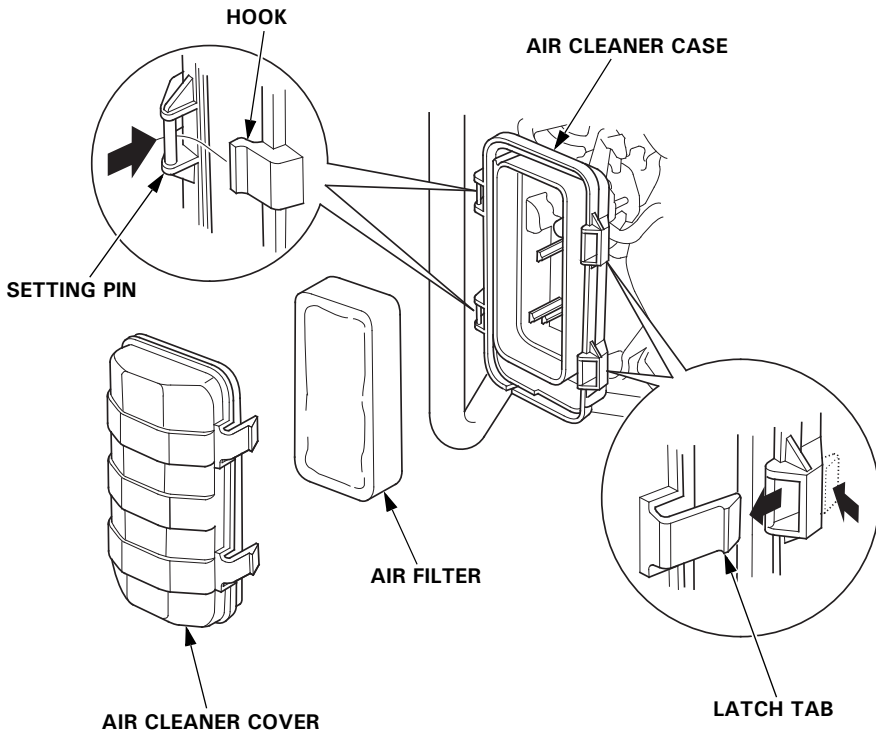


The SAE oil viscosity and service category are in the API label on the oil container. Honda recommends that you use API service category SE or later (or equivalent) oil.

# SERVICING YOUR GENERATOR

## AIR CLEANER SERVICE

1. Push the latch tabs and open the air cleaner cover.
2. Free the hooks from the setting pins on the air cleaner case and remove the air cleaner cover to the right side of the frame pipe, taking care not to damage the air cleaner cover.
3. Remove the air filter from the air cleaner case.
4. Check the air filter to be sure it is clean and in good condition. If the air filter is dirty, clean it as described on page 41. Replace the air filter if it is damaged.

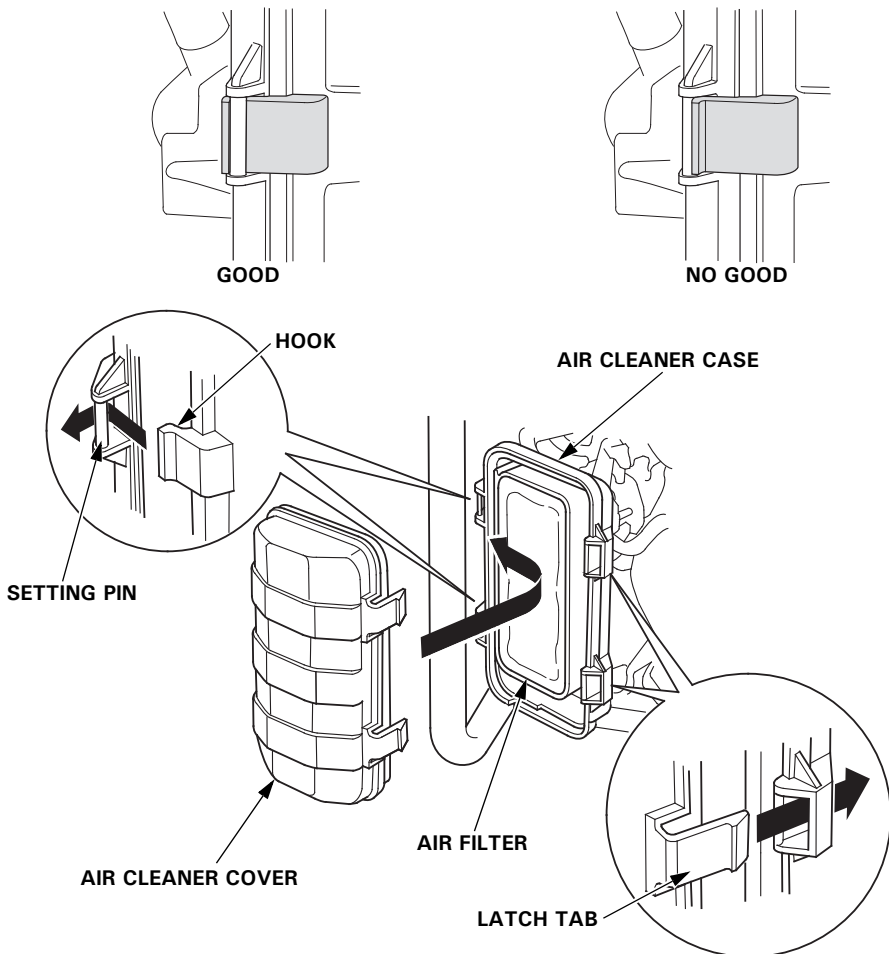


# SERVICING YOUR GENERATOR

5. Reinstall the air filter in the air cleaner case.
6. Set the hooks of the air cleaner cover to the setting pins securely, then push the air cleaner cover to lock the latch tabs. Be sure that the cover is set securely. There must be no clearance between the air cleaner cover and case.

## NOTICE

*Operating the engine without an air filter, or with a damaged air filter, will allow dirt to enter the engine, causing rapid engine wear. This type of damage is not covered by the warranty.*

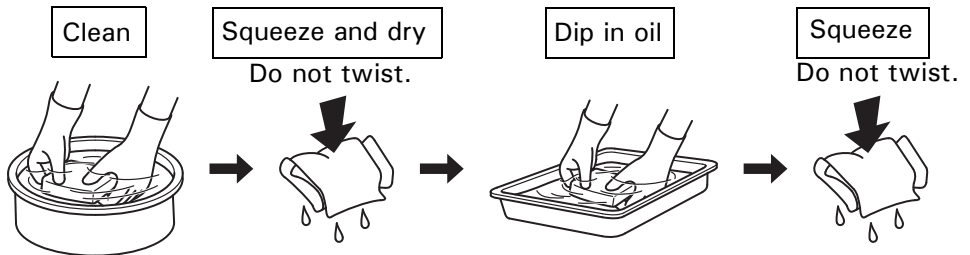


# SERVICING YOUR GENERATOR

## AIR FILTER CLEANING

A dirty air filter will restrict air flow to the carburetor, reducing engine performance. If you operate the generator in very dusty areas, clean the air filter more frequently than specified in the Maintenance Schedule (see page 31).

1. Clean the air filter in warm soapy water, rinse, and allow to dry thoroughly, or clean in nonflammable solvent and allow to dry.
2. Dip the air filter in clean engine oil, then squeeze out all excess oil. The engine will smoke when started if too much oil is left in the air filter.



3. Wipe dirt from the air cleaner case and cover using a moist rag. Be careful to prevent dirt from entering the air duct that leads to the carburetor.

# SERVICING YOUR GENERATOR

## SEDIMENT CUP CLEANING

The sediment cup prevents dirt or water that may be in the fuel tank from entering the carburetor. If the engine has not been run for a long time, the sediment cup should be cleaned.

1. Turn the fuel valve lever to the OFF position, then remove the sediment cup, O-ring, and filter. Discard the O-ring.

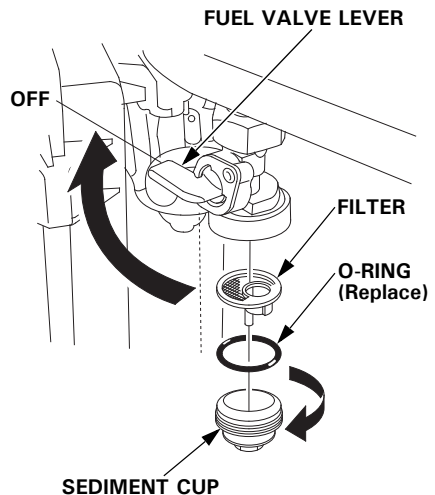
### **⚠ WARNING**

Gasoline is highly flammable and explosive.

You can be burned or seriously injured when handling fuel.

- Stop the engine and keep heat, sparks, and flame away.
- Handle fuel only outdoors.
- Wipe up spills immediately.

2. Clean the sediment cup and filter in nonflammable or high flash point solvent, and dry them thoroughly.
3. Reinstall the filter, new O-ring, and sediment cup, and tighten the sediment cup securely.
4. Turn the fuel valve lever to the ON position and check for leaks.



# SERVICING YOUR GENERATOR

## SPARK PLUG SERVICE

**Recommended spark plugs:** BPR6ES (NGK)  
W20EPR-U (DENSO)

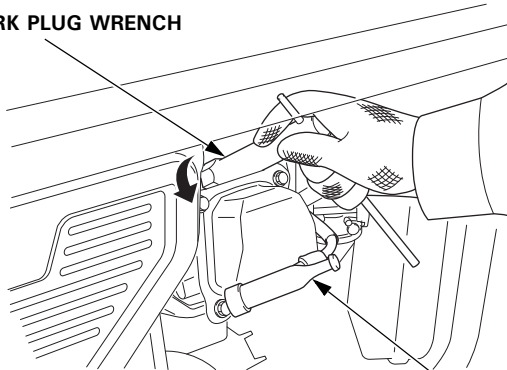
### NOTICE

*An incorrect spark plug can cause engine damage.*

If the engine is hot, allow it to cool before servicing the spark plug.

1. Disconnect the spark plug cap, and remove any dirt from around the spark plug area.
2. Remove the spark plug with a spark plug wrench.

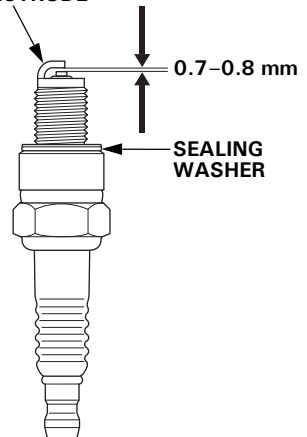
SPARK PLUG WRENCH



SPARK PLUG CAP

3. Inspect the spark plug. Replace it if the electrodes are worn or if the insulator is cracked, chipped, or fouled.
4. Measure the spark plug electrode gap with a wire type feeler gauge. Correct the gap, if necessary, by carefully bending the side electrode.

SIDE ELECTRODE



The gap should be:  
0.7—0.8 mm

## SERVICING YOUR GENERATOR

---

5. Make sure that the spark plug sealing washer is in good condition, and thread the spark plug in by hand to prevent cross threading.
6. After the spark plug seats, tighten with the spark plug wrench to compress the washer.

If reinstalling a used spark plug, tighten  $1/8 - 1/4$  turn after the spark plug seats.

If installing a new spark plug, tighten  $1/2$  turn after the spark plug seats.

### NOTICE

*A loose spark plug can overheat and damage the engine.*

*Overtightening the spark plug can damage the threads in the cylinder head.*

7. Attach the spark plug cap.

# STORAGE

## STORAGE PREPARATION

Proper storage preparation is essential for keeping your generator trouble free and looking good. The following steps will help to keep rust and corrosion from impairing your generator's function and appearance, and will make the engine easier to start when you use the generator again.

### Cleaning

Wipe the generator with a moist cloth. After the generator has dried, touch up any damaged paint, and coat other areas that may rust with a light film of oil.

### Fuel

#### NOTICE

*Depending on the region where you operate your equipment, fuel formulations may deteriorate and oxidize rapidly. Fuel deterioration and oxidation can occur in as little as 30 days and may cause damage to the carburetor and/or fuel system. Please check with your authorized Honda servicing dealer for local storage recommendations.*

Gasoline will oxidize and deteriorate in storage. Old gasoline will cause hard starting, and it leaves gum deposits that clog the fuel system. If the gasoline in your generator deteriorates during storage, you may need to have the carburetor and other fuel system components serviced or replaced.

The length of time that gasoline can be left in your fuel tank and carburetor without causing functional problems will vary with such factors as gasoline blend, your storage temperatures, and whether the fuel tank is partially or completely filled. The air in a partially filled fuel tank promotes fuel deterioration. Very warm storage temperatures accelerate fuel deterioration. Fuel deterioration problems may occur after 30 days from keeping the fuel in the fuel tank, or even less if the gasoline was not fresh when you filled the fuel tank.

The warranty does not cover fuel system damage or engine performance problems resulting from neglected storage preparation.



# STORAGE

---

## STORAGE PROCEDURE

1. Drain the fuel tank and carburetor.

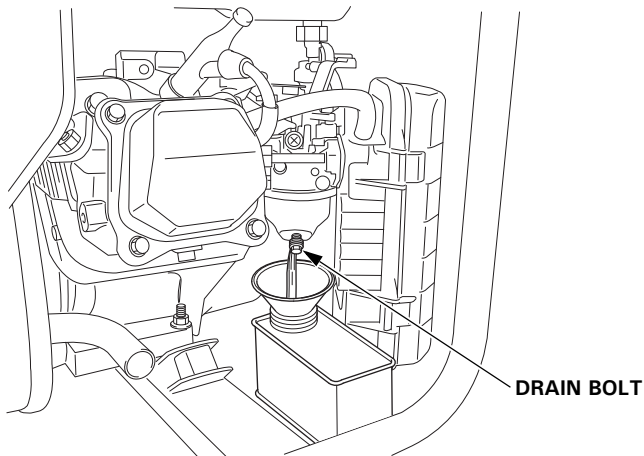
### **⚠ WARNING**

Gasoline is highly flammable and explosive.

You can be burned or seriously injured when handling fuel.

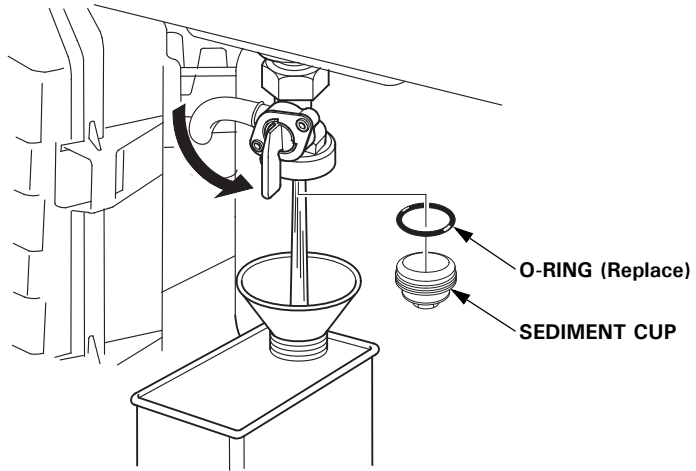
- Stop the engine and keep heat, sparks, and flame away.
- Handle fuel only outdoors.
- Wipe up spills immediately.

- Place a suitable gasoline container below the carburetor, and use a funnel to avoid spilling fuel.
- Turn the fuel valve lever to the OFF position, loosen the carburetor drain bolt by turning 1 to 2 turns counterclockwise and drain the fuel from the carburetor.



- Place a suitable gasoline container below the sediment cup, and use a funnel to avoid spilling fuel.

- d. Remove the sediment cup, and then turn the fuel valve lever to the ON position and drain the fuel from the fuel tank.



- e. After all the fuel has drained into the container, tighten the drain bolt securely.
- f. Reinstall a new O-ring and sediment cup, and tighten the sediment cup securely.
- g. Turn the fuel valve lever to the OFF position.
2. Change the engine oil (see page 36).
3. Remove the spark plug (see page 43).
4. Pour a teaspoon ( $5 \text{ cm}^3$ ) of clean engine oil into the cylinder.
5. Pull the starter grip several times to distribute the oil in the cylinder.
6. Reinstall the spark plug.
7. Slowly pull the starter grip until resistance is felt. At this point, the piston is coming up on its compression stroke and both the intake and exhaust valves are closed. Storing the engine in this position will help to protect it from internal corrosion. Return the starter grip gently.

# STORAGE

---

## STORAGE PRECAUTIONS

If your generator will be stored with gasoline in the fuel tank and carburetor, it is important to reduce the hazard of gasoline vapor ignition.

Select a well-ventilated storage area away from any appliance that operates with a flame, such as a furnace, water heater, or clothes dryer. Also avoid any area with a spark-producing electric motor, or where power tools are operated.

If possible, avoid storage areas with high humidity, because that promotes rust and corrosion.

Unless all fuel has been drained from the fuel tank, leave the fuel valve lever in the OFF position (see page 24) to reduce the possibility of leakage.

Place the generator on a level surface. Tilting can cause fuel or oil leakage.

With the engine and exhaust system cool, cover the generator to keep out dust. A hot engine and exhaust system can ignite or melt some materials.

Do not use sheet plastic as a dust cover. A nonporous cover will trap moisture around the generator, promoting rust and corrosion.

## REMOVAL FROM STORAGE

Check your generator as described in the BEFORE OPERATION chapter of this manual (see page 19).

If the fuel was drained during storage preparation, fill the tank with fresh gasoline. If you keep a container of gasoline for refueling, be sure that it contains only fresh gasoline. Gasoline oxidizes and deteriorates over time, causing hard starting.

If the cylinder was coated with oil during storage preparation, the engine may smoke briefly at startup. This is normal.

# TRANSPORTING

## BEFORE TRANSPORTING

1. Make sure the engine switch, fuel valve are OFF (see page 24).
2. Drain all gasoline from the fuel tank and carburetor (see page 46).

### **WARNING**

Gasoline is highly flammable and explosive.

You can be burned or seriously injured when handling fuel.

- Stop the engine and keep heat, sparks, and flame away.
- Handle fuel only outdoors.
- Wipe up spills immediately.

## WHEN TRANSPORTING THE GENERATOR

If the generator has been running, allow the engine to cool down before loading the generator on the vehicle.

A hot engine and exhaust system can burn you and can ignite some materials.

Do not load the generator on a vehicle to transport with the fuel filled. The fuel may leak due to vibration during transport.

When transporting the generator, turn the engine switch and the fuel valve lever OFF, and Keep the generator level to reduce the possibility of fuel leakage.

Avoid a place exposed to direct sunlight when putting the generator on a vehicle. If the generator is left in an enclosed vehicle for many hours, high temperature inside the vehicle could cause fuel to vaporize resulting in a possible explosion.

Do not drive on a rough road for an extended period with the generator on board.

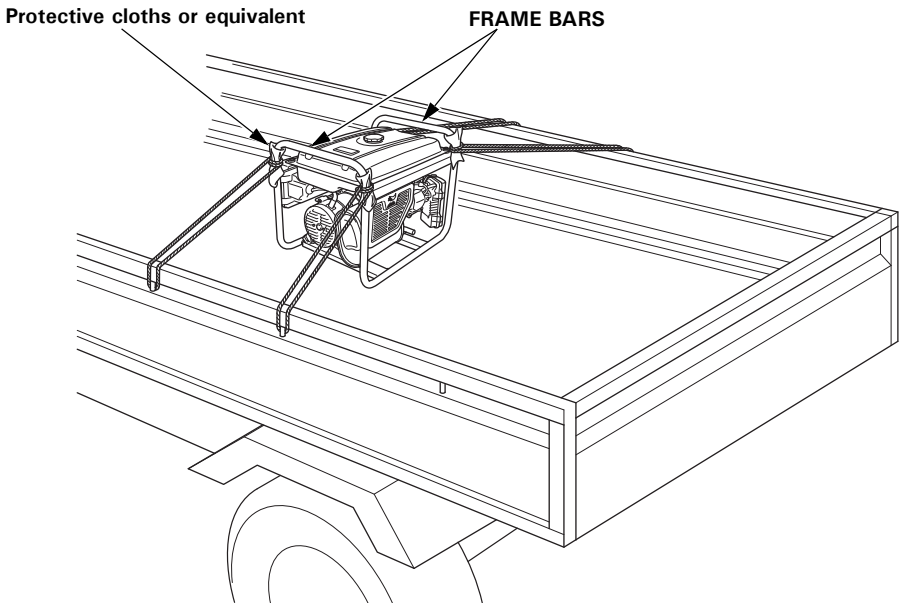
# TRANSPORTING

---

## Transporting the Generator by Truck

Load the generator on a place where it will not drop off, tumble over or be damaged and tie it up with ropes or tie down straps.

When using ropes or tie down straps to secure the generator for transportation, only use the frame bars as attachment points, by protecting them with protective cloths or equivalent. Do not fasten ropes or straps to any other portions of the generator body.



# TAKING CARE OF UNEXPECTED PROBLEMS

## ENGINE WILL NOT START

Possible Cause	Correction
Fuel valve OFF.	Turn valve ON (see page 14).
Choke OPEN.	Move to CLOSED unless engine is warm (see page 14).
Engine switch OFF.	Turn engine switch to ON (see page 15).
Out of fuel.	Refuel (see page 32).
Bad fuel; generator stored without draining gasoline, or refueled with bad gasoline.	Drain fuel tank and carburetor (see page 46). Refuel with fresh gasoline (see page 32).
Low oil level caused Oil Alert to stop engine.	Add oil (see page 35). Turn engine switch to OFF and restart the engine.
Spark plug faulty, fouled, or improperly gapped.	Gap, or replace spark plug (see page 43).
Spark plug wet with fuel (flooded engine).	Dry and reinstall spark plug.
Fuel filter restricted, carburetor malfunction, ignition malfunction, valves stuck, etc.	Take generator to your servicing dealer, or refer to shop manual.

## ENGINE LACKS POWER

Possible cause	Correction
Air filter restricted.	Clean or replace air filter (see page 39 through 41).
Bad fuel; generator stored without draining gasoline, or refueled with bad gasoline.	Drain fuel tank and carburetor (see page 46). Refuel with fresh gasoline (see page 32).
Fuel filter restricted, carburetor malfunction, ignition malfunction, valves stuck, etc.	Take generator to your servicing dealer, or refer to shop manual.

# **TAKING CARE OF UNEXPECTED PROBLEMS**

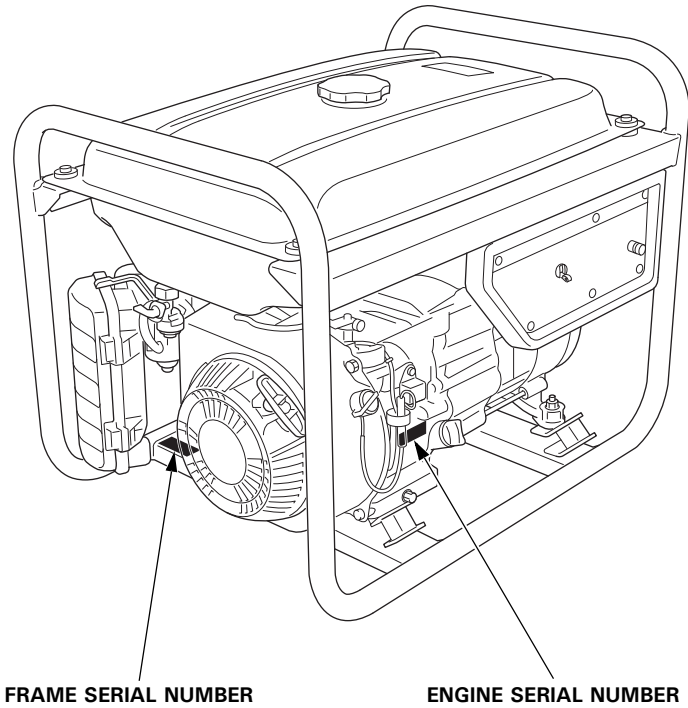
---

## **NO POWER AT THE AC RECEPTACLE**

<b>Possible Cause</b>	<b>Correction</b>
Circuit breaker left in the OFF position after starting.	Switch circuit breaker ON (see page 25).
Faulty power tool or appliance.	Replace or repair power tool or appliance. Stop and restart the engine.
Faulty generator.	Take generator to your servicing dealer, or refer to shop manual.

# TECHNICAL INFORMATION

## SERIAL NUMBER LOCATIONS



Record the engine and frame serial numbers and date purchased in the spaces below. You will need this information when ordering parts and when making technical or warranty inquiries.

Engine serial number: \_\_\_\_\_

Frame serial number: \_\_\_\_\_

Date purchased: \_\_\_\_\_



# TECHNICAL INFORMATION

---

## CARBURETOR MODIFICATION FOR HIGH ALTITUDE OPERATION

At high altitude, the standard carburetor air fuel mixture will be too rich. Performance will decrease, and fuel consumption will increase. A very rich mixture will also foul the spark plug and cause hard starting. Operation at an altitude that differs from that at which this engine was certified, for extended periods of time, may increase emissions.

High altitude performance can be improved by specific modifications to the carburetor. If you always operate your generator at altitudes above 1,500 meters, have your authorized Honda servicing dealer perform this carburetor modification.

Even with carburetor modification, engine horsepower will decrease about 3.5% for each 300 meter increase in altitude. The effect of altitude on horsepower will be greater than this if no carburetor modification is made.

### NOTICE

*When the carburetor has been modified for high altitude operation, the air/fuel mixture will be too lean for low altitude use. Operation at altitudes below 1,500 meters with a modified carburetor may cause the engine to overheat and result in serious engine damage. For use at low altitudes, have your authorized Honda servicing dealer return the carburetor to original factory specifications.*

# TECHNICAL INFORMATION

## SPECIFICATIONS

### Dimensions

Model	ER2500CX
Description code	ECCC
Length	591 mm
Width	432 mm
Height	462 mm
Dry mass (weight)	40.0 kg

### Engine

Model	GP160
Engine Type	4-stroke, overhead valve, single cylinder
Displacement	163 cm <sup>3</sup>
Bore × Stroke	68.0 × 45.0 mm
Cooling System	Forced air
Ignition System	Transistor magneto ignition
Oil Capacity	0.58 L
Fuel Tank Capacity	14.5 L
Spark Plug	BPR6ES (NGK), W20EPR-U (DENSO)

### Generator

Model	ER2500CX					
Type	K	M	R	RE	L	S
AC output	Rated voltage	230 V	220 V		120 V	220 V
	Rated frequency	50 Hz			60 Hz	
	Rated ampere	8.7 A	9.1 A		19.2 A	10.5 A
	Rated output	2.0 kVA			2.3 kVA	
	Maximum output	2.2 kVA			2.5 kVA	
Operating temperature range	-5 C° - 40 C°					

Specifications may vary according to the types, and are subject to change without notice.

# TECHNICAL INFORMATION

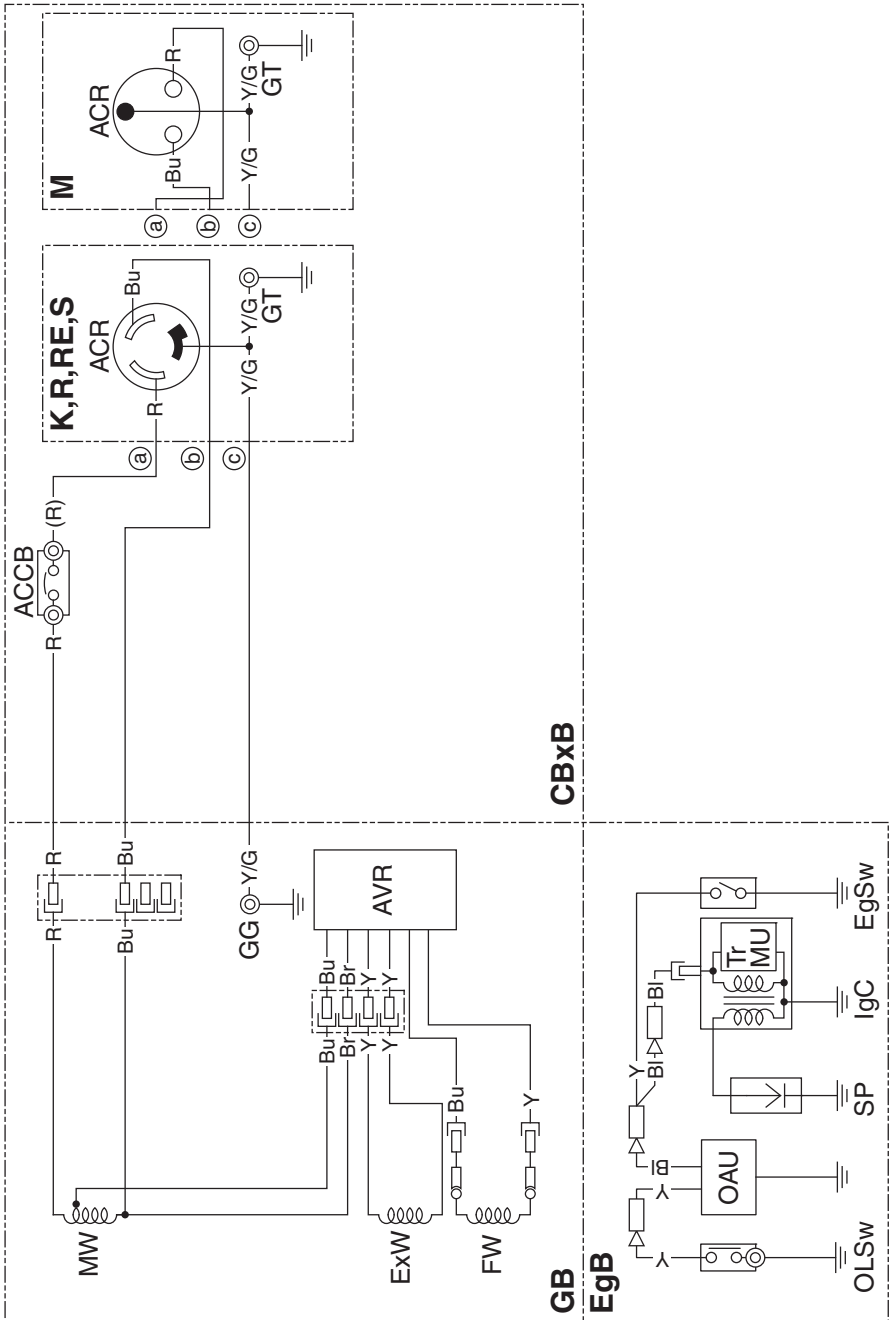
---

## WIRING DIAGRAM

	Part Name
ACCB	AC Circuit Breaker
ACR	AC Receptacle
AVR	Automatic Voltage Regulator
CBxB	Control Box Block
EgB	Engine Block
EgSw	Engine Switch
ExW	Engine Winding
FW	Field Winding
GB	Generator Block
GG	Generator Ground
GT	Ground Terminal
IgC	Ignition Coil
MW	Main Winding
OAU	Oil Alert Unit
OLSw	Oil Level Switch
SP	Spark Plug
TrMU	Transistor Magneto Unit

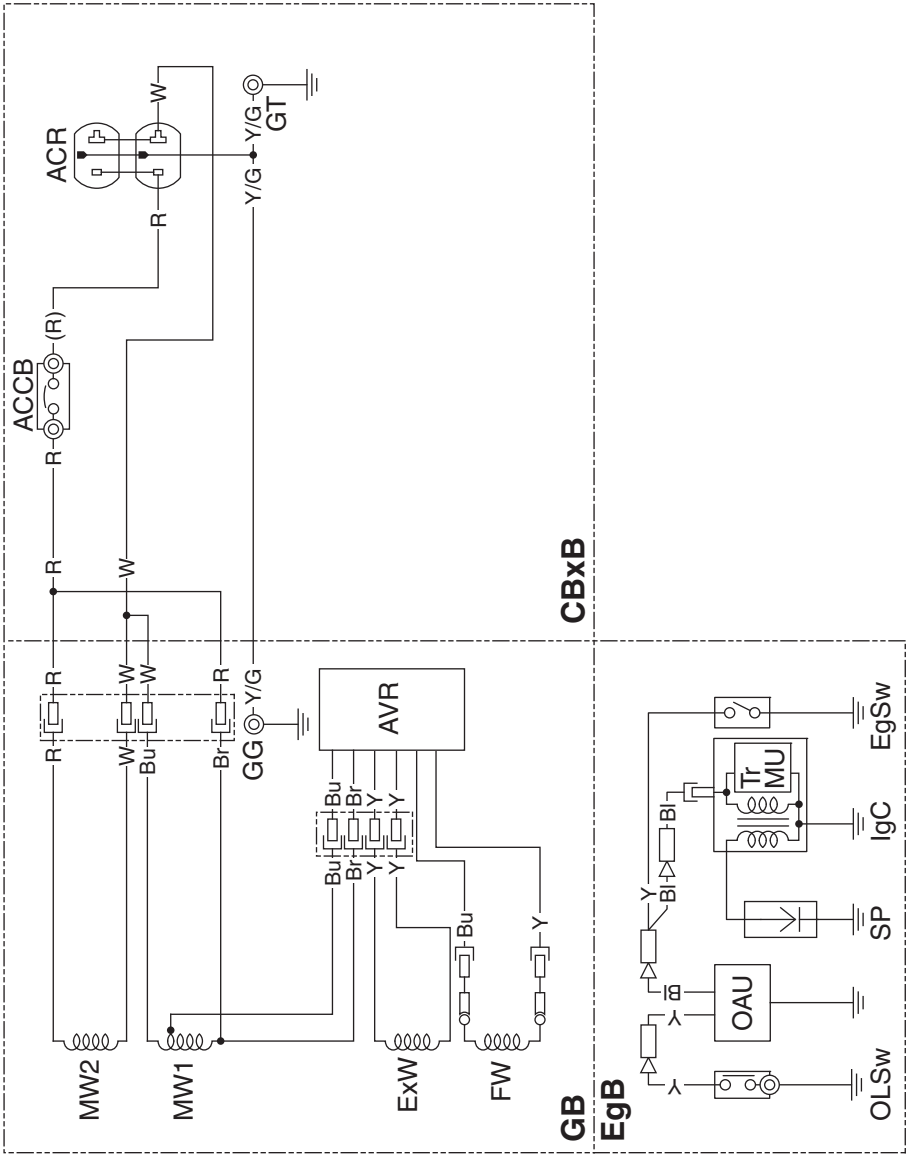
	Wire Color
Bl	Black
Br	Brown
G	Green
Bu	Blue
O	Orange
R	Red
W	White
Y	Yellow

## K, M, R, RE, S types



# TECHNICAL INFORMATION

## L type



**Honda ER2500CX**

**MANUAL DE EXPLICACIONES**




Tenga este manual de explicaciones siempre a mano para utilizarlo en cualquier momento. Este manual de explicaciones se considera como una parte permanente del generador y debe permanecer con él en caso de reventa.

La información y las especificaciones incluidas en esta publicación estaban vigentes en el momento de la aprobación para impresión. Sin embargo, Honda Motor Co., Ltd. se reserva el derecho de suspender o modificar las especificaciones o diseños en cualquier momento sin previo aviso y sin incurrir en obligación de cualquier índole.

# INTRODUCCIÓN

Enhorabuena por haber seleccionado un generador Honda. Estamos seguros de que quedará satisfecho con la adquisición de uno de los mejores generadores del mercado.

Nos gustaría ayudarle a obtener los mejores resultados con su nuevo generador y a operarlo con seguridad. Este manual contiene toda la información para ello; léalo detenidamente.

Durante la lectura de este manual, encontrará información precedida por el símbolo . Esta información tiene el propósito de ayudarle a evitar daños en su generador, a la propiedad de terceros, o al medio ambiente.

Le aconsejamos que lea el contrato de garantía para que comprenda su alcance y sus responsabilidades de propiedad.

Cuando su generador necesite el mantenimiento programado, recuerde que el personal de su concesionario de servicio Honda autorizado está especialmente instruido para realizar el servicio de los generadores Honda. Su concesionario de servicio Honda autorizado está dedicado a satisfacer sus necesidades y estará encantado de responder a sus preguntas o intereses.

Muy cordialmente, Honda Motor Co., Ltd.



---


## UNAS PALABRAS SOBRE LA SEGURIDAD

Su seguridad y la de los demás son muy importantes. Y la utilización de este generador con seguridad es una responsabilidad importante.

Para ayudarle a tomar decisiones basadas en la información adecuada sobre la seguridad, hemos incluido procedimientos de operación y otra información en las etiquetas y en este manual. Esta información le avisa sobre los peligros potenciales que podrían causarle lesiones a usted y a los demás.

Naturalmente, es imposible poderle avisar sobre todos los peligros relacionados con la operación o el mantenimiento de un generador. Deberá emplear el sentido común.

La información sobre seguridad es muy importante y puede aparecer de distintas formas:

- **Etiquetas de seguridad:** en el generador.
- **Mensajes de seguridad:** precedidos por un símbolo de alerta de seguridad  y una de las tres palabras de indicación, PELIGRO, ADVERTENCIA o PRECAUCIÓN.

Estas palabras de indicación significan:

 **PELIGRO**

MUERTE o LESIONES GRAVES SEGURAS en caso de no seguir las instrucciones.

 **ADVERTENCIA**

POSIBILIDAD de MUERTE o de LESIONES GRAVES en caso de no seguir las instrucciones.

 **PRECAUCIÓN**

POSIBILIDAD de LESIONES en caso de no seguir las instrucciones.

- **Encabezamientos de seguridad:** tales como *INFORMACIÓN DE SEGURIDAD IMPORTANTE*.
- **Sección sobre la seguridad:** como, por ejemplo, *SEGURIDAD DEL GENERADOR*.
- **Instrucciones:** modo de utilizar este generador de forma correcta y segura.

Todas las secciones de este libro contienen información de seguridad importante; léalo minuciosamente.

# ÍNDICE

<b>SEGURIDAD DEL GENERADOR .....</b>	<b>6</b>
<b>INFORMACIÓN DE SEGURIDAD IMPORTANTE.....</b>	<b>6</b>
Responsabilidades del operador .....	6
Peligros del monóxido de carbono .....	6
Peligros de descargas eléctricas .....	7
Peligros de incendios y quemaduras.....	7
Reposte con cuidado .....	8
<b>SITUACIÓN DE LAS ETIQUETAS DE SEGURIDAD.....</b>	<b>9</b>
<b>CONTROLES Y CARACTERÍSTICAS .....</b>	<b>12</b>
<b>SITUACIONES DE LOS COMPONENTES Y CONTROLES .....</b>	<b>12</b>
<b>CONTROLES.....</b>	<b>14</b>
Palanca de la válvula del combustible.....	14
Palanca del estrangulador .....	14
Interruptor del motor .....	15
Empuñadura del arrancador .....	15
Disyuntor de CA .....	15
Clavija de alimentación.....	16
<b>CARACTERÍSTICAS.....</b>	<b>17</b>
Sistema de aviso del aceite.....	17
Terminal de tierra .....	17
Medidor de combustible .....	18
<b>ANTES DE LA OPERACIÓN.....</b>	<b>19</b>
¿ESTÁ USTED PREPARADO PARA EMPEZAR?.....	19
Conocimientos .....	19
¿ESTÁ PREPARADO EL GENERADOR PARA FUNCIONAR? .....	19
Comprobación del motor .....	20

# ÍNDICE

---

<b>FUNCIONAMIENTO</b> .....	<b>21</b>
PRECAUCIONES DE SEGURIDAD DURANTE LA OPERACIÓN .....	21
ARRANQUE DEL MOTOR .....	22
PARADA DEL MOTOR .....	24
FUNCIONAMIENTO CON CA.....	25
Aplicaciones de CA .....	26
ALIMENTACIÓN AUXILIAR.....	27
Conexiones en el sistema eléctrico de un edificio.....	27
Tierra del sistema .....	27
Requisitos especiales .....	28
<b>SERVICIO DE SU GENERADOR</b> .....	<b>29</b>
LA IMPORTANCIA DEL MANTENIMIENTO .....	29
SEGURIDAD DEL MANTENIMIENTO .....	30
Precauciones de seguridad .....	30
PROGRAMA DE MANTENIMIENTO .....	31
PARA REPOSTAR.....	32
RECOMENDACIONES DEL COMBUSTIBLE .....	34
COMPROBACIÓN DEL NIVEL DE ACEITE DE MOTOR.....	35
CAMBIO DEL ACEITE DE MOTOR.....	36
RECOMENDACIÓN DEL ACEITE DE MOTOR .....	38
MANTENIMIENTO DEL FILTRO DE AIRE .....	39
LIMPIEZA DEL FILTRO DE AIRE.....	41
LIMPIEZA DE LA TAZA DE SEDIMENTOS .....	42
MANTENIMIENTO DE LA BUJÍA DE ENCENDIDO.....	43
<b>ALMACENAJE</b> .....	<b>45</b>
PREPARATIVOS PARA EL ALMACENAJE .....	45
Limpieza .....	45
Combustible .....	45
PROCEDIMIENTO DE ALMACENAJE .....	46
PRECAUCIONES PARA EL ALMACENAJE.....	48
AL SACARLO DEL ALMACENAJE.....	48

<b>TRANSPORTE</b> .....	<b>49</b>
ANTES DEL TRANSPORTE .....	49
DURANTE EL TRANSPORTE DEL GENERADOR .....	49
Transporte del generador en camión .....	50
<b>CUIDADOS PARA PROBLEMAS INESPERADOS</b> .....	<b>51</b>
EL MOTOR NO ARRANCA .....	51
BAJA POTENCIA DEL MOTOR .....	51
NO HAY POTENCIA EN EL RECEPTÁCULO DE CA .....	52
<b>INFORMACIÓN TÉCNICA</b> .....	<b>53</b>
SITUACIÓN DE LOS NÚMEROS DE SERIE .....	53
MODIFICACIÓN DEL CARBURADOR PARA FUNCIONAR A GRAN ALTITUD .....	54
ESPECIFICACIONES .....	55
DIAGRAMA DE CONEXIONES .....	56

# SEGURIDAD DEL GENERADOR

## INFORMACIÓN DE SEGURIDAD IMPORTANTE

Los generadores Honda están diseñados para su empleo con equipos eléctricos que cumplen los requisitos adecuado de alimentación eléctrica. Otras aplicaciones pueden ocasionar lesiones al operador o daños en el generador y en otros sitios.

La mayor parte de lesiones o daños materiales pueden evitarse si se siguen todas las instrucciones de este manual y del generador. Los peligros más comunes se mencionan a continuación, junto con la mejor forma de protección propia y de los demás.

### Responsabilidades del operador

- Aprenda a parar con rapidez el generador en caso de emergencia.
- Comprenda el empleo de todos los controles del generador, receptáculos de salida, y conexiones.
- Asegúrese de que todas las personas que empleen el generador hayan recibido la instrucción apropiada. No permita a los niños que operen el generador sin supervisión paterna.

### Peligros del monóxido de carbono

Los gases de escape de un generador contienen monóxido de carbono tóxico, que no se puede ver ni oler. Respirar monóxido de carbono puede MATARLE EN CUESTIÓN DE MINUTOS. Para evitar envenenamiento debido al monóxido de carbono, siga estas instrucciones al utilizar un generador:

- Ponga en marcha el generador únicamente en el EXTERIOR, alejado de ventanas, puertas y salidas de ventilación.
- Nunca utilice el generador dentro de una casa, garaje, sótano, semisótano o cualquier otro espacio cerrado o parcialmente cerrado.
- Nunca utilice el generador cerca de puertas o ventanas abiertas.
- Respire aire fresco y solicite atención médica inmediatamente si sospecha que ha inhalado monóxido de carbono.

Entre los primeros síntomas de la exposición a monóxido de carbono se incluyen dolor de cabeza, fatiga, dificultad para respirar, náuseas y mareos. La exposición continuada al monóxido de carbono puede provocar pérdida de coordinación muscular, pérdida de consciencia y, en última instancia, la muerte.

## **Peligros de descargas eléctricas**

- El generador produce suficiente energía eléctrica como para causar descargas eléctricas graves o electrocución si se utiliza indebidamente.
- No lo emplee en condiciones húmedas. Mantenga seco el generador.
  - No lo emplee bajo la lluvia o la nieve.
  - No lo emplee cerca de una piscina o de un sistema de riego con rociador.
  - No lo emplee con las manos mojadas.
- Si el generador se almacena al aire libre, desprotegido contra la intemperie, compruebe siempre todos los componentes eléctricos del panel de control antes de utilizarlo. La humedad o el hielo pueden causar mal funcionamiento o cortocircuitos de los componentes eléctricos, lo que puede ser causa de electrocución.
- No lo conecte al sistema eléctrico de un edificio a menos que un electricista cualificado haya instalado un interruptor de aislamiento.

## **Peligros de incendios y quemaduras**

- El sistema de escape se calienta lo suficiente como para encender ciertos materiales.
  - Mantenga el generador por lo menos a 1 metro de distancia de edificios y de otros equipos durante la operación.
  - No encierre el generador en ninguna estancia.
  - Mantenga los materiales inflamables apartados del generador.
- El silenciador se calienta mucho durante la operación, y sigue caliente durante cierto tiempo después de haber parado el motor. Tenga cuidado y no toque el silenciador mientras esté caliente. Deje que se enfríe el motor antes de almacenar el generador en un local cerrado.

# SEGURIDAD DEL GENERADOR

---

## Reposte con cuidado

La gasolina es muy inflamable, y el vapor de gasolina puede explotar. No reposte durante el funcionamiento.

Deje que se enfríe el motor si había estado en funcionamiento.

Reposte solo en exteriores en un lugar bien ventilado y sobre una superficie nivelada.

No fume nunca si hay gasolina en las inmediaciones y mantenga cualquier tipo de llama o chispa alejado.

No rellene excesivamente el depósito de combustible.

Asegúrese de haber limpiado el combustible que se haya derramado antes de poner en marcha el motor.

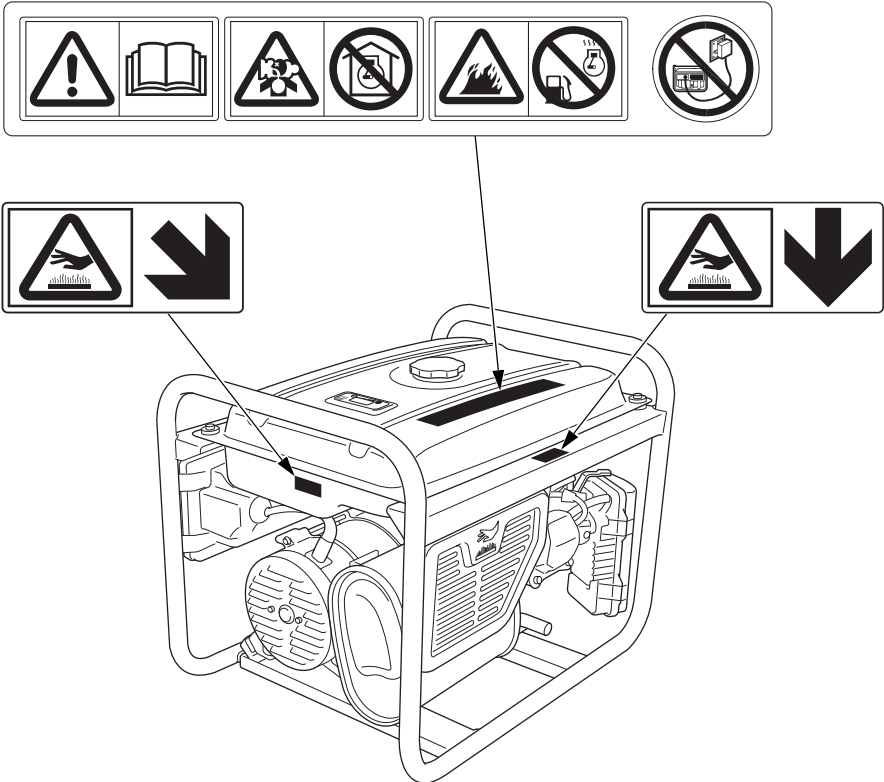
Almacene siempre la gasolina en un recipiente homologado.

# SEGURIDAD DEL GENERADOR

## SITUACIÓN DE LAS ETIQUETAS DE SEGURIDAD

Estas etiquetas le avisan sobre peligros potenciales que pueden ocasionar heridas graves.

Léalas detenidamente. Si una etiqueta se despegó o si resulta difícil de leer, solicite su reemplazo a su concesionario de servicio.





# SEGURIDAD DEL GENERADOR

---



- El generador Honda está diseñado para proporcionar un servicio seguro y fiable si se opera de acuerdo con las instrucciones. Lea y entienda el Manual de explicaciones antes de operar el generador. Si no lo hace así, pueden producirse lesiones corporales o daños al equipo.



- Los gases de escape contienen monóxido de carbono venenoso, que es un gas incoloro e inodoro. Si se aspira monóxido de carbono puede ocasionar la pérdida del conocimiento y puede causar la muerte.
- Si pone en marcha el generador en lugares cerrados, o incluso en lugares parcialmente cerrados, es posible que el aire que usted respire contenga una cantidad peligrosa de gases de escape.
- No ponga nunca en marcha el generador dentro de un garaje, de una casa ni cerca de puertas o ventanas abiertas.



- La gasolina es muy inflamable y explosiva. Pare el motor y espere a que se enfríe antes de repostar.



- No lo conecte al sistema eléctrico de un edificio a menos que un electricista cualificado haya instalado un interruptor de aislamiento.
- Las conexiones para la alimentación auxiliar del sistema eléctrico de un edificio deberá realizarlas un electricista cualificado y deberán cumplir todas las leyes y normativas de electricidad aplicables. Las conexiones incorrectas pueden permitir que fugas de corriente eléctrica desde el generador se realimenten a las líneas de alimentación.

Esta realimentación podría electrocutar a los trabajadores de la compañía de electricidad o a otras personas que manipulen las líneas durante un apagón y, al restaurarse la alimentación eléctrica, el generador podría explotar, quemarse u ocasionar un incendio en el sistema eléctrico del edificio.

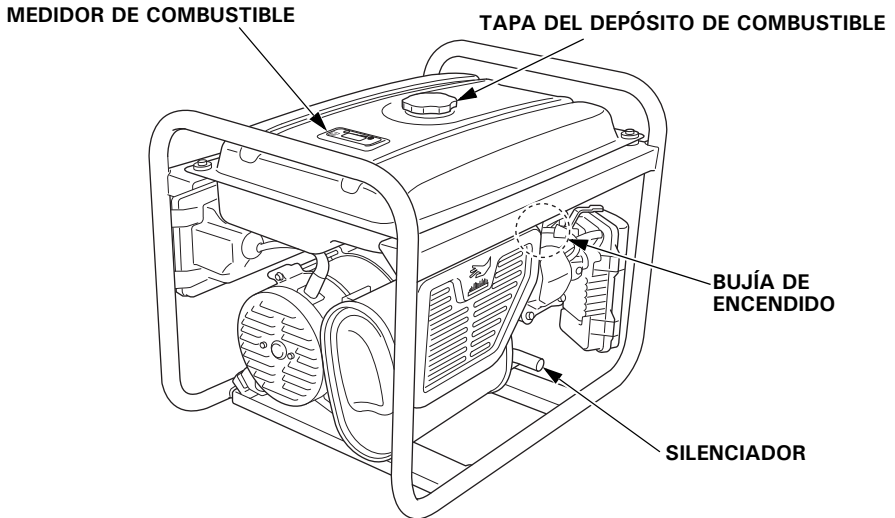
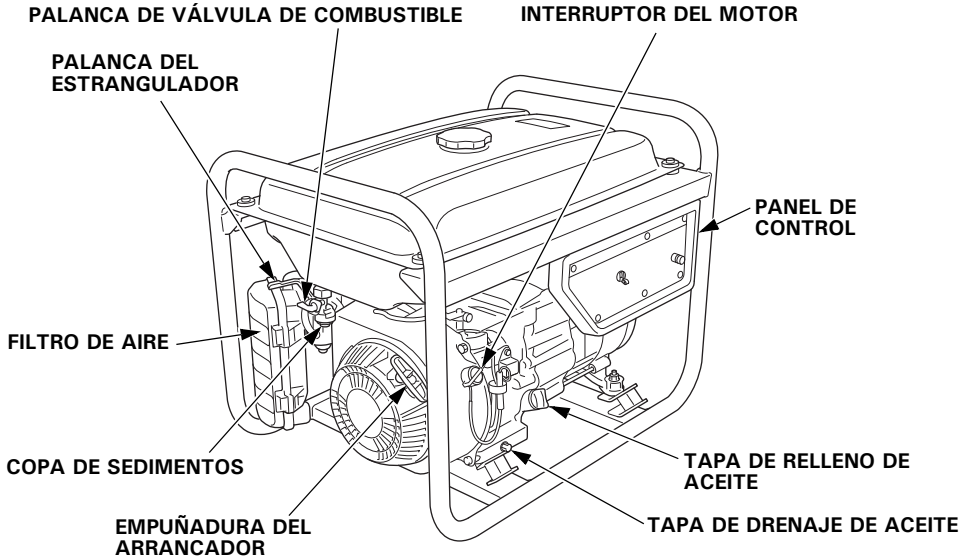


- El sistema de escape puede causar quemaduras serias cuando está caliente. No lo toque si el motor ha estado en marcha.

# CONTROLES Y CARACTERÍSTICAS

## SITUACIONES DE LOS COMPONENTES Y CONTROLES

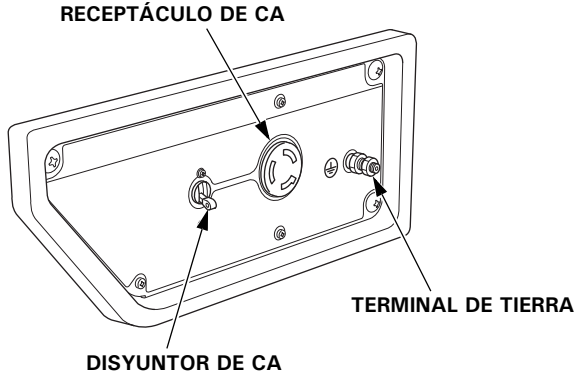
Emplee las ilustraciones de estas páginas para buscar e identificar los controles que se utilizan con más frecuencia.



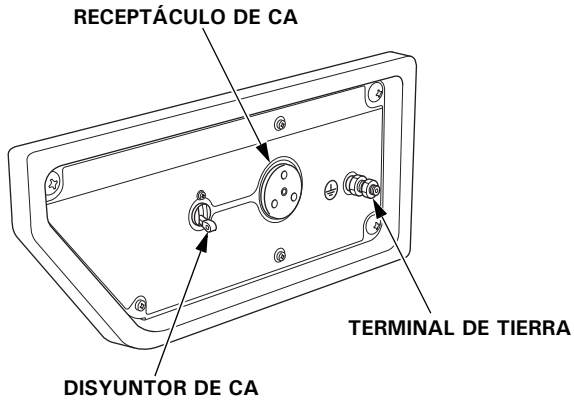
# CONTROLES Y CARACTERÍSTICAS

## PANEL DE CONTROL

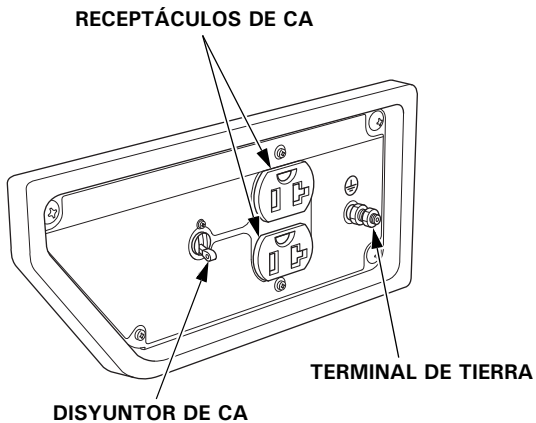
Tipos K, R, RE, S



Tipo M



Tipo L



# CONTROLES Y CARACTERÍSTICAS

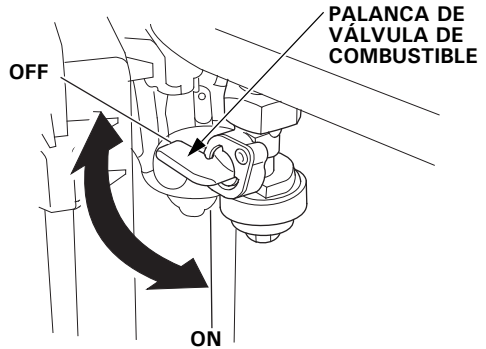
## CONTROLES

### Palanca de la válvula del combustible

La palanca de la válvula del combustible está situada entre el depósito de combustible y el carburador.

La palanca de la válvula del combustible debe estar en la posición ON para que pueda funcionar el motor.

Después de haber parado el motor, gire la palanca de la válvula del combustible a la posición OFF.



### Palanca del estrangulador

La palanca del estrangulador abre y cierra la válvula del estrangulador del carburador.

En la posición CLOSED se enriquece la mezcla del combustible para arrancar el motor frío.

En la posición OPEN se suministra la mezcla correcta de combustible para funcionar después del arranque, o para volver a arrancar el motor caliente.

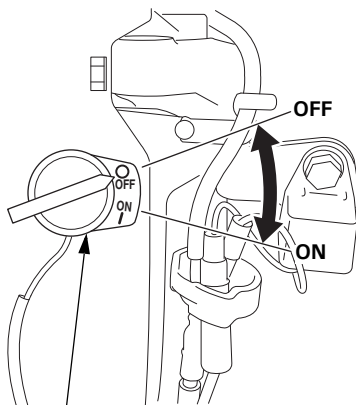


## Interruptor del motor

El interruptor del motor controla el sistema de encendido.

OFF – Para el motor.

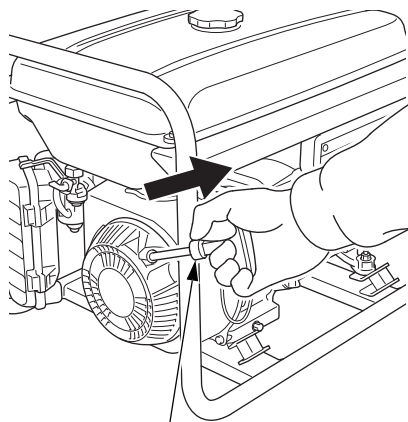
ON – Arranque y posición en marcha.



INTERRUPTOR DEL MOTOR

## Empuñadura del arrancador

Si tira de la empuñadura del arrancador, se activa el arrancador de retroceso y se pone en marcha el motor.

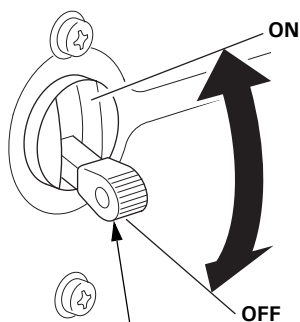


EMPUÑADURA DEL ARRANCADOR

## Disyuntor de CA

El disyuntor del circuito se desconectará (OFF) automáticamente si se produce un cortocircuito o una sobrecarga significativa en el receptáculo.

El disyuntor del circuito puede utilizarse para conectar o desconectar la alimentación del generador.



DISYUNTOR DE CA

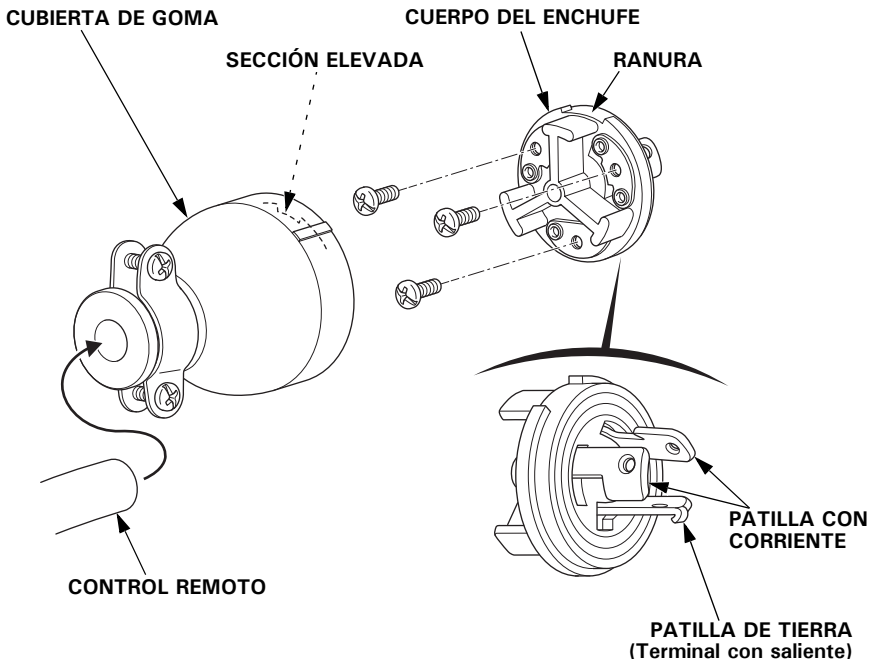
# CONTROLES Y CARACTERÍSTICAS

## Clavija de alimentación

Este generador incluye una clavija de alimentación correspondiente a la toma equipada en el generador (tipos K, R, RE, L, S).

El servicio de las conexiones de los cables deberán realizarlo técnicos en electricidad, a menos que usted disponga de las herramientas adecuadas y posea suficientes conocimientos sobre electricidad. Las tareas relacionadas con la electricidad deberán realizarlas técnicos en electricidad cualificados de acuerdo con toda la legislación y los códigos eléctricos aplicables.

### Ejemplo: Tipos K, R, RE, S



## CARACTERÍSTICAS

### Sistema de aviso del aceite

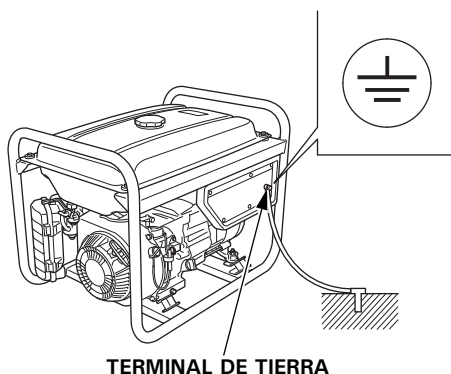
El sistema de aviso del aceite está diseñado para evitar daños en el motor causados por una cantidad insuficiente de aceite en el cárter. Antes de que el nivel del aceite que hay en el cárter pueda caer por debajo de un límite de seguridad, el sistema de alerta de aceite Oil Alert para automáticamente el motor (el interruptor del motor queda en la posición ON).

Si se para el motor y no puede volver a ponerse en marcha, compruebe el nivel del aceite de motor (vea la página 35) antes de realizar la localización y reparación de averías en otras partes.

### Terminal de tierra

El terminal de tierra está conectado al bastidor del generador, a la parte metálica del generador por la que no circula corriente y al terminal de tierra del receptáculo.

Antes de emplear el terminal de tierra, consulte a un electricista cualificado, a un inspector de electricidad o a un organismo local que tenga jurisdicción sobre las regulaciones u ordenanzas locales que se aplican al empleo que se proponga dar al generador.



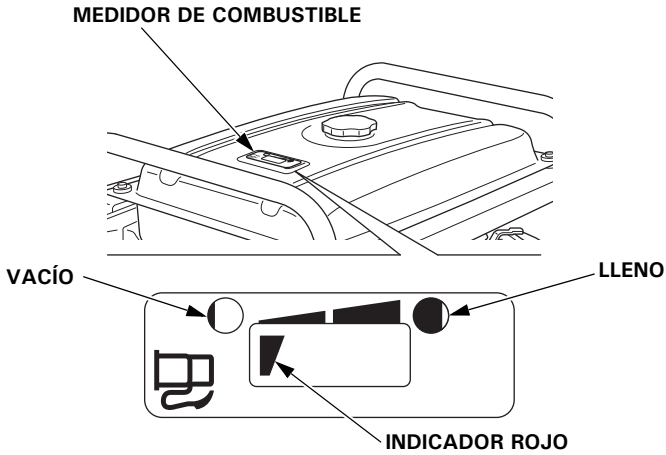


# CONTROLES Y CARACTERÍSTICAS

---

## Medidor de combustible

El medidor de combustible es un dispositivo mecánico que mide el nivel del combustible que hay en el depósito. El indicador rojo de la mirilla da una referencia del nivel con respecto al estado lleno o vacío. Para procurar más tiempo de operación, empiece con el depósito lleno antes de ponerlo en funcionamiento. Compruebe el nivel del combustible con el generador sobre una superficie nivelada. Reposte siempre el combustible con el motor parado en OFF y frío.



# ANTES DE LA OPERACIÓN

## ¿ESTÁ USTED PREPARADO PARA EMPEZAR?

Usted es el responsable de su propia seguridad. Tómese un poco de tiempo para los preparativos porque podrá reducir en gran medida el riesgo de sufrir de heridas.

### Conocimientos

Lea y comprenda este manual. Sepa para lo que sirven los controles y la forma de operarlos.

Familiarícese con el generador y con su operación antes de empezar a utilizarlo. Aprenda a parar con rapidez el generador en caso de emergencia.

Si está utilizando el generador para alimentar aparatos, asegúrese de que éstos no excedan el índice de carga nominal del generador (vea la página 26).

## ¿ESTÁ PREPARADO EL GENERADOR PARA FUNCIONAR?

Por su propia seguridad, para garantizar la conformidad con las normativas medioambientales y para maximizar la vida de servicio de su equipo, es muy importante que emplee un poco de tiempo en comprobar el estado del generador antes de ponerlo en funcionamiento. Asegúrese de tener cuidado de cualquier problema que encuentre, o haga que su concesionario de servicio lo solucione, antes de operar el generador.

### ▲ ADVERTENCIA

El mantenimiento inadecuado de este generador, o la falta de reparación de un problema antes de la operación, pueden causar un mal funcionamiento en el que usted pueda correr el peligro de heridas graves.

Efectúe siempre una inspección previa antes de cada operación y solucione los problemas encontrados.

Para evitar posibles incendios, mantenga el generador por lo menos a 1 metro de distancia de las paredes del edificio y de otros equipos durante la operación. No ponga objetos inflamables cerca del motor.

# ANTES DE LA OPERACIÓN

---

Antes de comenzar las comprobaciones previas a la operación, asegúrese de que el generador esté sobre una superficie nivelada y que el interruptor del motor esté en la posición OFF.

## AVISO

*Si utiliza este generador a menos de 1 metro de un edificio u otro obstáculo, el generador puede sobrecalentarse y sufrir daños. Para una refrigeración adecuada, deje al menos 1 metro de espacio libre por encima y alrededor del generador.*

### Comprobación del motor

- Antes de cada uso, busque alrededor del motor y debajo de este señales de fugas de aceite o gasolina.
- Compruebe el nivel del aceite (vea la página 35). Un nivel de aceite bajo hará que el sistema de alerta de aceite pare el motor.
- Compruebe el filtro de aire (vea la página 39). Un filtro de aire sucio restringirá el flujo de aire al carburador, reduciendo el rendimiento del motor y del generador.
- Compruebe el nivel de combustible (vea la página 32). Si comienza el trabajo con el depósito lleno, le ayudará a eliminar o reducir las interrupciones de la operación para repostar.

# FUNCIONAMIENTO

## PRECAUCIONES DE SEGURIDAD DURANTE LA OPERACIÓN

Antes de poner en marcha el generador por primera vez, revise los capítulos *SEGURIDAD DEL GENERADOR* (vea la página 6) y *ANTES DE LA OPERACIÓN* (vea la página 19).

Por su propia seguridad, no opere el generador en lugares cerrados como por ejemplo dentro de un garaje. Los gases de escape del generador contienen monóxido de carbono, un gas que se acumula con rapidez en lugares cerrados y que causa malestar o incluso la muerte.

### ▲ ADVERTENCIA

Los gases de escape contienen monóxido de carbono venenoso que puede acumularse hasta niveles peligrosos en lugares cerrados. Respirar monóxido de carbono puede causar la pérdida de conocimiento o la muerte.

Nunca utilice el generador en un lugar cerrado o parcialmente cerrado donde pueda haber gente.

Antes de conectar un aparato o el cable de alimentación de CA al generador:

- Emplee cables de extensión, herramientas, y aparatos de 3 clavijas con toma de tierra, o herramientas y aparatos con aislamiento doble.
- Inspeccione los cables y clavijas, y reemplácelos si están dañados.
- Asegúrese de que el aparato esté en buen estado de funcionamiento. Los aparatos averiados o los cables de alimentación defectuosos pueden crear peligro de descargas eléctricas.
- Asegúrese de que los valores eléctricos nominales de la herramienta o aparato no excedan la potencia nominal del generador o del receptáculo que se utilice.
- Opere el generador por lo menos a 1 metro de distancia de edificios y de otros equipos.
- No opere el generador en una estancia cerrada.
- No ponga objetos inflamables cerca del motor.

# FUNCIONAMIENTO

## ARRANQUE DEL MOTOR

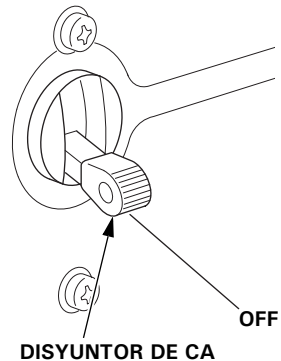
Para evitar posibles incendios, mantenga el generador por lo menos a 1 metro de distancia de las paredes del edificio y de otros equipos durante la operación. No ponga objetos inflamables cerca del motor.

### AVISO

*Si utiliza este generador a menos de 1 metro de un edificio u otro obstáculo, el generador puede sobrecalentarse y sufrir daños. Para una refrigeración adecuada, deje al menos 1 metro de espacio libre por encima y alrededor del generador.*

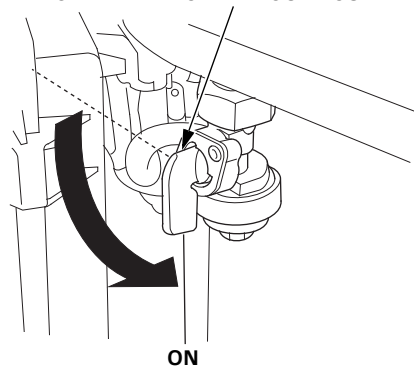
Consulte las **PRECAUCIONES DE SEGURIDAD DURANTE LA OPERACIÓN** en la página 21 y realice las comprobaciones de **¿ESTÁ PREPARADO EL GENERADOR PARA FUNCIONAR?** (vea la página 19). Consulte **FUNCIONAMIENTO CON CA** (vea la página 25) para conectar cargas al generador.

1. Asegúrese de que todos los aparatos estén desconectados del receptáculo de CA.
2. Asegúrese de que el disyuntor del circuito de CA esté en la posición OFF.



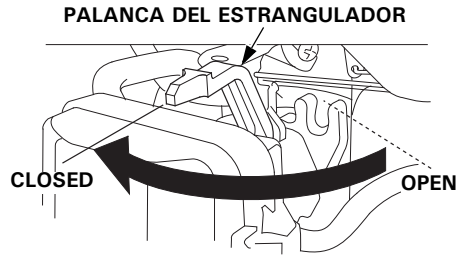
3. Gire la palanca de la válvula del combustible a la posición ON.

**PALANCA DE VÁLVULA DE COMBUSTIBLE**

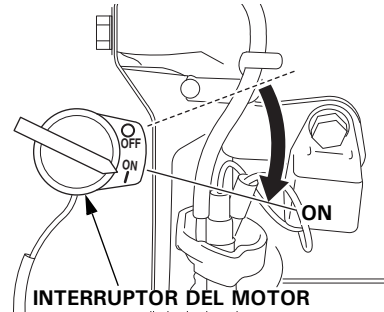


4. Mueva la palanca del estrangulador a la posición CLOSED para arrancar el motor en frío.

Para volver a arrancar el motor cuando está caliente, deje la palanca del estrangulador en la posición OPEN.



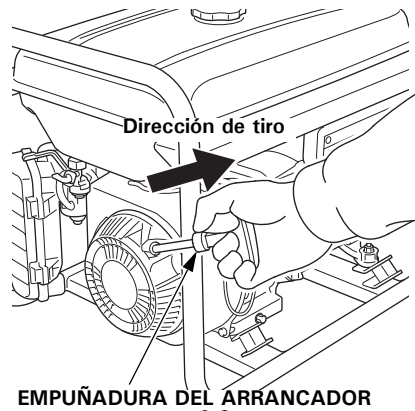
5. Gire el interruptor del motor a la posición ON.



6. Tire ligeramente de la empuñadura del arrancador hasta notar resistencia; entonces, tire con fuerza en la dirección de la flecha como se muestra.

## AVISO

- *No dejar que la empuñadura del arrancador vuelva a su lugar con fuerza. Haga que retorne con suavidad para evitar daños en el arrancador.*
- *No permita que la cuerda del arrancador frote el cuerpo del generador porque la cuerda se desgastaría prematuramente.*



7. Si se ha colocado la palanca del estrangulador en la posición CLOSED para arrancar el motor, muévela gradualmente a la posición OPEN a medida que se va calentando el motor.



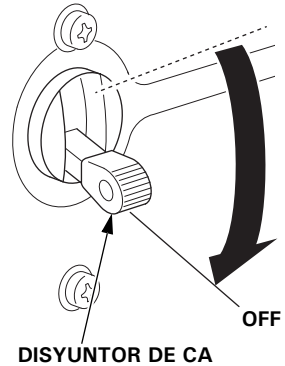
# **FUNCIONAMIENTO**

---

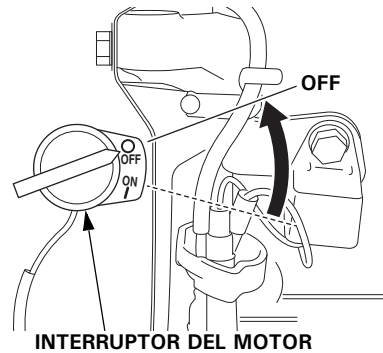
## **PARADA DEL MOTOR**

Para parar el motor en un caso de emergencia, simplemente gire el interruptor del motor a la posición OFF. En situaciones normales, emplee el procedimiento siguiente.

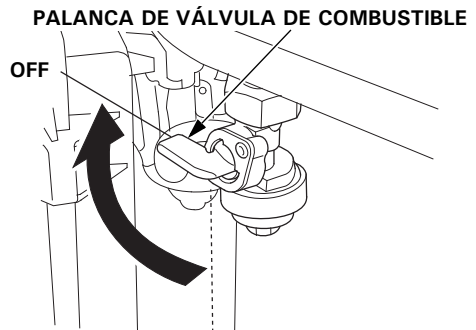
1. Mueva el disyuntor de CA a la posición OFF.



2. Desconecte el interruptor del motor (OFF).



3. Gire la palanca de la válvula del combustible a la posición OFF.



## FUNCIONAMIENTO CON CA

Si un aparato empieza a funcionar anormalmente, de forma irregular o si se para súbitamente, desconecte inmediatamente su alimentación. Desenchufe el aparato y determine si el problema reside en el aparato en sí o si se ha excedido la capacidad de carga nominal del generador.

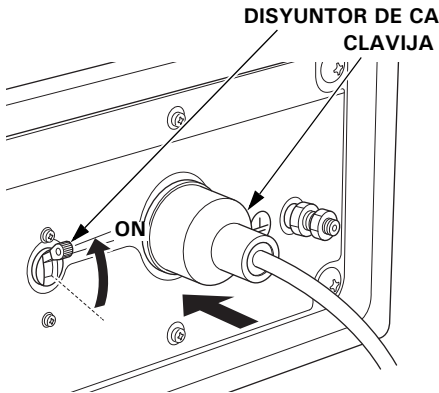
### AVISO

*Una sobrecarga de gran intensidad puede causar daños en el generador. Una sobrecarga marginal puede acortar la vida de servicio del generador.*

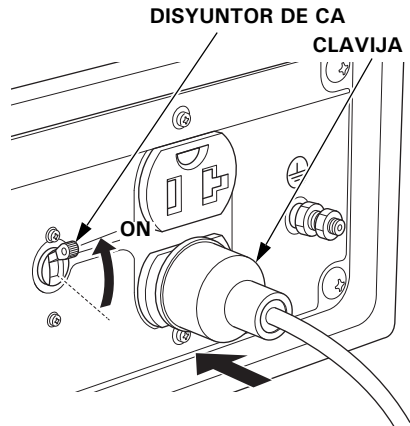
1. Arranque el motor (vea la página 22).
2. Conecte (ON) el disyuntor de CA.
3. Enchufar el aparato.

La mayor parte de aparatos motorizados requieren más potencia que la de su vataje nominal para su puesta en marcha.

### Tipos K, M, R, RE, S



### Tipo L





# FUNCIONAMIENTO

---

## Aplicaciones de CA

Antes de conectar un aparato o el cable de alimentación al generador:

- Asegúrese de que esté en buen estado de funcionamiento. Un aparato averiado o un cable de alimentación defectuoso pueden crear peligro de descargas eléctricas.
- Si un aparato empieza a funcionar anormalmente, de forma irregular o si se para súbitamente, desconecte inmediatamente su alimentación. Desenchufe el aparato y determine el si problema reside en el aparato en sí o si se ha excedido la capacidad de carga nominal del generador.

La mayoría de los motores de los aparatos eléctricos necesitan más que la potencia nominal para ponerse en marcha.

Asegúrese de que los valores eléctricos nominales de la herramienta o aparato no excedan los valores de la potencia máxima del generador.

La potencia máxima es de:

Tipos K, M, R, RE: 2,2 kVA

Tipos L, S: 2,5 kVA

Para la operación continua, no exceda la potencia nominal.

La potencia nominal es de:

Tipos K, M, R, RE: 2,0 kVA

Tipos L, S: 2,3 kVA

En cualquiera de los casos, deberá tenerse en cuenta la alimentación total (VA) de todos los aparatos conectados. Los fabricantes de aparatos y de herramientas motorizadas normalmente ofrecen la información sobre los valores nominales cerca del número de modelo o del número de serie.

### AVISO

*Una sobrecarga de gran intensidad provocará la apertura del disyuntor del circuito. Es posible que una sobrecarga pequeña del generador no produzca la desconexión (OFF) de disyuntor del circuito, pero acortará la vida de servicio del generador.*

## ALIMENTACIÓN AUXILIAR

### Conexiones en el sistema eléctrico de un edificio

Las conexiones para la alimentación auxiliar del sistema eléctrico de un edificio deberá realizarlas un electricista cualificado. La conexión debe aislar la alimentación del generador de la alimentación eléctrica y debe cumplir con la legislación y los códigos eléctricos aplicables en su totalidad.

#### ⚠ ADVERTENCIA

Las conexiones inadecuadas a la instalación eléctrica de un edificio pueden permitir que la corriente del generador se realimente a la red principal de suministro eléctrico.

Este tipo de realimentación puede electrocutar a los operarios de la compañía de electricidad o a otras personas que entren en contacto con las líneas de transmisión durante una suspensión del suministro, y el generador podría explotar, quemarse u ocasionar un incendio al restaurarse el suministro eléctrico.

Consulte a la compañía suministradora de electricidad o a un electricista cualificado antes de efectuar conexiones eléctricas.

En algunos lugares, la ley requiere que se registren los generadores en las compañías eléctricas de la localidad. Compruebe las regulaciones locales para realizar el registro y los procedimientos apropiados.

### Tierra del sistema

Este generador tiene una toma de tierra del sistema que conecta los componentes del bastidor del generador a los terminales de tierra en los receptáculos de salida de CA. La toma de tierra del sistema no está conectada al conductor neutro de CA.

# FUNCIONAMIENTO

---

## Requisitos especiales

### AVISO

*No apoye el generador en su lateral al moverlo, almacenarlo o utilizarlo. Puede producirse una fuga de aceite y daños en el motor o en su propiedad.*

Es posible que haya leyes aplicables, regulaciones locales, u ordenanzas que se apliquen al empleo dado al generador. Consulte a un electricista cualificado, a un inspector de electricidad, o al organismo local que tenga jurisdicción.

- En algunos lugares, es necesario registrar los generadores en las compañías eléctricas de la localidad.
- Si el generador se emplea en un lugar de obras, es posible que deban observarse regulaciones adicionales.

# SERVICIO DE SU GENERADOR

## LA IMPORTANCIA DEL MANTENIMIENTO

El buen mantenimiento es esencial para conseguir una operación segura, económica y exenta de problemas. Ayudará también a reducir la contaminación del aire.

Para ayudarle a cuidar adecuadamente el generador, las páginas siguientes incluyen un programa de mantenimiento, procedimientos de inspección rutinarios, y simples procedimientos de mantenimiento empleando herramientas manuales básicas. Las otras tareas de servicio que son más difíciles, o que requieren herramientas especiales, es mejor que sean realizadas por profesionales y normalmente las lleva a cabo un mecánico de Honda u otro mecánico cualificado.

El programa de mantenimiento se aplica a las condiciones normales de operación. Si opera el generador en condiciones anormales, tales como un funcionamiento continuado con grandes cargas o a altas temperaturas, o si lo utiliza en condiciones con mucho polvo, consulte a su concesionario de servicio Honda autorizado para que le indique las recomendaciones aplicables a sus necesidades y aplicaciones individuales.

### **▲ ADVERTENCIA**

El mantenimiento inadecuado, o la falta de reparación de un problema antes de la operación, pueden ser causa de un mal funcionamiento en el que pueda correr el peligro de heridas graves o de muerte.

Siga siempre las recomendaciones de inspección y mantenimiento y los programas de este manual de explicaciones.

Recuerde que su concesionario de servicio Honda autorizado es quien mejor conoce su generador y que está completamente equipado para su mantenimiento y reparación.

Para asegurar la mejor calidad y fiabilidad, emplee sólo piezas nuevas genuinas de Honda o sus equivalentes para las reparaciones y reemplazos.

# SERVICIO DE SU GENERADOR

---

## SEGURIDAD DEL MANTENIMIENTO

A continuación se mencionan algunas de las precauciones de seguridad más importantes. No obstante, no podemos avisarle sobre todos los peligros concebibles que pueden surgir al realizar el mantenimiento. Solamente usted puede decidir si debe realizar un trabajo determinado.

### ▲ ADVERTENCIA

Si no sigue correctamente las instrucciones y precauciones para el mantenimiento, correrá el peligro de graves heridas o de muerte.

Siga siempre los procedimientos y precauciones del manual de explicaciones.

## Precauciones de seguridad

Asegúrese de que el motor esté desconectado antes de comenzar cualquier trabajo de mantenimiento o de reparación. De este modo eliminará muchos peligros potenciales:

– **Intoxicación por monóxido de carbono procedente del tubo de escape del motor.**

Operar lejos de puertas o ventanas abiertas.

– **Quemaduras con piezas calientes.**

Espere a que se enfríen el motor y el sistema de escape antes de tocarlos.

– **Lesiones por piezas en movimiento.**

No ponga en marcha el motor a menos que se lo indiquen las instrucciones.

- Lea las instrucciones antes de empezar, y asegúrese de disponer de las herramientas y conocimientos necesarios.
- Para reducir la posibilidad de incendio o explosión, tenga cuidado cuando trabaje cerca de gasolina. Utilice únicamente disolventes no inflamables, no gasolina, para limpiar las piezas. Mantenga apartados los cigarrillos, las chispas y el fuego de las piezas relacionadas con el combustible.

# SERVICIO DE SU GENERADOR

## PROGRAMA DE MANTENIMIENTO

PERIODO REGULAR DE MANTENIMIENTO (3) Realícelo a cada mes indicado o intervalo de horas de funcionamiento, lo que antes se cumpla.		Cada uso	Primer mes o 20 hrs.	Cada 3 meses o 50 hrs.	Cada 6 meses o 100 hrs.	Cada año o 300 hrs.	Página	
ELEMENTO								
Aceite del motor	Comprobar nivel	o					35	
	Cambiar		o		o		36	
Filtro de aire	Comprobar	o					39	
	Limpiar			o (1)			41	
Cubeta de sedimentos	Limpiar				o		42	
Bujía	Comprobar-ajustar				o		43	
	Cambiar					o	43	
Ajuste de válvula	Comprobar-ajustar					o (2)	—	
Cámara de combustión	Limpiar	Cada 500 hrs. (2)						—
Depósito y filtro de combustible	Limpiar				o (2)		—	
Tubo de combustible	Comprobar	Cada 2 años (cambiar en caso necesario) (2)						—

- (1) Realice el servicio con mayor frecuencia cuando lo utilice en zonas polvorientas.
- (2) El servicio de estas partes deberá realizarlo su concesionario de servicio, a menos que usted disponga de las herramientas adecuadas y posea suficientes conocimientos mecánicos. Para ver los procedimientos de servicio, consulte el manual de taller Honda.
- (3) Para aplicaciones comerciales, registre las horas de operación para poder determinar los intervalos adecuados de mantenimiento.

Si no sigue este programa de mantenimiento pueden producirse fallas que no entran en la garantía.

## Herramientas

Con el generador se suministran una llave de tubo y el asa de la llave. Utilice las herramientas suministradas para realizar las labores de mantenimiento. El empleo de una herramienta incorrecta puede ocasionar daños en el generador.

# SERVICIO DE SU GENERADOR

---

## PARA REPOSTAR

Compruebe el medidor de combustible con el motor parado. Llene el depósito de combustible si el nivel de combustible es bajo.

### ⚠ ADVERTENCIA

La gasolina es muy inflamable y explosiva.

Podría quemarse o resultar gravemente herido mientras manipula el combustible.

- Pare el motor y mantenga apartados el calor, las chispas, y el fuego.
- Manipule el combustible sólo en exteriores.
- Limpie inmediatamente el líquido derramado.

### AVISO

*El combustible puede dañar la pintura y el plástico. Tenga cuidado de que no se derrame combustible mientras llena el depósito de combustible. Lo daños causados por el combustible derramado no están cubiertos por la garantía.*

Llene el depósito en un lugar bien ventilado antes de poner en marcha el motor. Si el motor ha estado funcionando, espere a que se enfríe. Reposte con cuidado para que no se derrame combustible. No llene el depósito de combustible por encima de la marca del límite superior del colador de combustible.

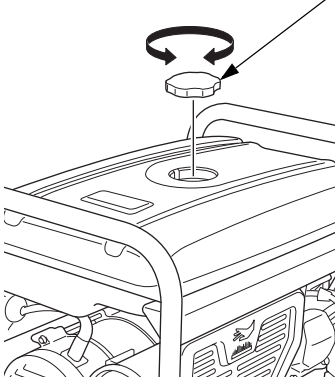
No reposte nunca el motor dentro de un edificio donde los gases de la gasolina pudieran llegar a fuegos o chispas. Mantenga la gasolina apartada de las luces piloto de los aparatos, barbacoas, aparatos eléctricos, herramientas eléctricas, etc.

El combustible derramado no solo implica peligro de incendio, sino que además causa daños en el medio ambiente.

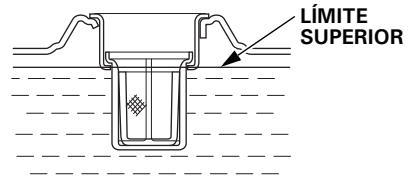
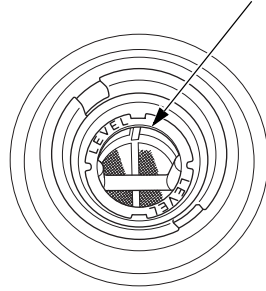
Limpie inmediatamente el líquido derramado.

# SERVICIO DE SU GENERADOR

TAPA DEL DEPÓSITO DE COMBUSTIBLE



MARCA DE LÍMITE SUPERIOR



Después de repostar, vuelva a instalar la tapa del depósito de combustible con seguridad.



# SERVICIO DE SU GENERADOR

---

## RECOMENDACIONES DEL COMBUSTIBLE

Emplee gasolina sin plomo para automóviles con un número de octanos de investigación de 91 o más alto (un número de octanos de bomba de 86 o más alto).

No emplee nunca gasolina pasada o sucia ni mezcla de aceite/gasolina. Evite la entrada de suciedad o agua en el depósito de combustible.

Puede utilizar gasolina sin plomo normal que no contenga más de un 10% (E10) de etanol ni un 5% de metanol por volumen. Además, el metanol debe contener inhibidores de cosolventes y corrosión.

El uso de combustibles con un contenido en etanol o metanol mayor que el indicado anteriormente puede causar problemas en el arranque o el rendimiento. También puede causar daños en las piezas metálicas, de goma y de plástico del sistema de combustible.

Los problemas de daños o rendimiento del motor causados por el uso de un combustible con porcentajes de etanol o metanol superiores a los indicados anteriormente no quedan cubiertos por la garantía.

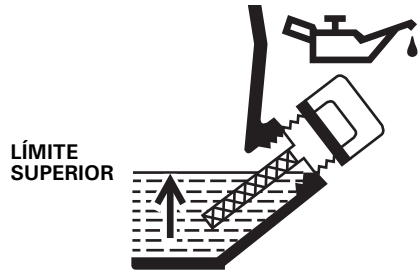
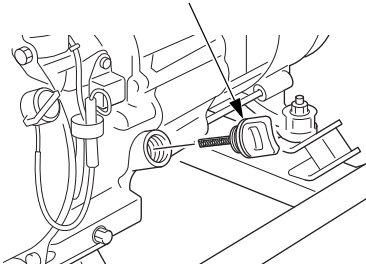
Si va a utilizar el equipo de forma poco frecuente, consulte la sección de combustible del capítulo ALMACENAJE (vea la página 45) para obtener más información relativa al deterioro del combustible.

## COMPROBACIÓN DEL NIVEL DE ACEITE DE MOTOR

Compruebe el nivel de aceite del motor con el motor parado y en posición nivelada.

1. Extraiga la tapa de relleno de aceite.
2. Compruebe el nivel del aceite. Si está bajo del límite superior, rellene con el aceite recomendado (vea la página 38) hasta el límite superior.
3. Instale de nuevo la tapa de relleno de aceite con seguridad.

TAPA DE RELLENO DE ACEITE



El sistema de alerta de aceite parará automáticamente el motor antes de que el nivel de aceite caiga por debajo de los límites de seguridad. Sin embargo, para evitar la inconveniencia de una parada inesperada, compruebe con regularidad el nivel de aceite.

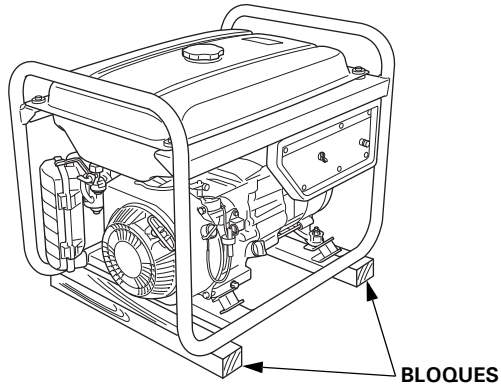
# SERVICIO DE SU GENERADOR

---

## CAMBIO DEL ACEITE DE MOTOR

Drene el aceite mientras el motor esté caliente para asegurar un drenaje rápido y completo.

1. Coloque bloques por debajo del generador y compruebe que se encuentra en una posición adecuada y nivelada.



2. Coloque un contenedor adecuado debajo del motor para recuperar el aceite usado y, a continuación, quite la tapa de relleno de aceite, la tapa de drenaje y la arandela de sellado.
3. Cuando el aceite usado drene completamente, instale de nuevo la tapa de drenaje con una nueva arandela de sellado. Apriete el tapón con seguridad.

### AVISO

*Un vertido inadecuado del aceite de motor puede ser perjudicial para el medio ambiente.*

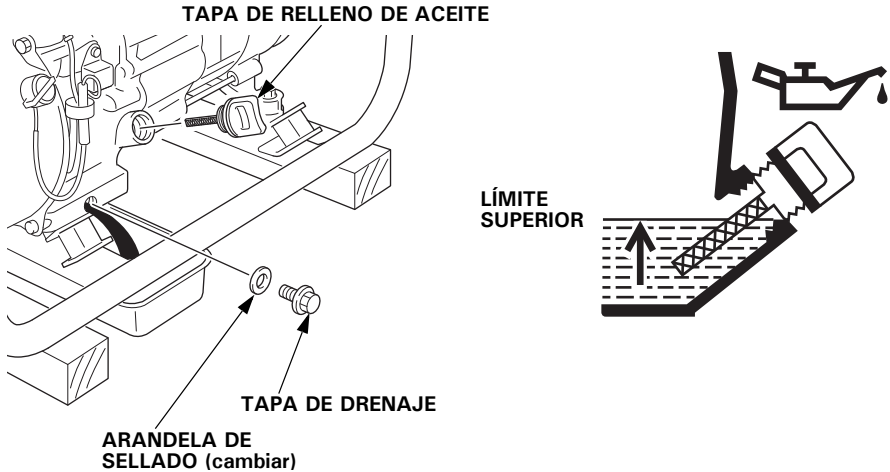
*Si cambia usted mismo el aceite, elimine el aceite usado de forma adecuada. Póngalo en un contenedor sellado y llévelo a un centro del reciclaje. No lo vierta en un cubo de basura, el suelo ni el desagüe.*

# SERVICIO DE SU GENERADOR

4. Con el generador en posición nivelada, rellene con el aceite recomendado (vea la página 38) hasta el borde exterior del orificio de relleno de aceite.

5. Instale de nuevo la tapa de relleno de aceite con seguridad.

Lávese las manos con agua y jabón después de haber manipulado aceite usado.



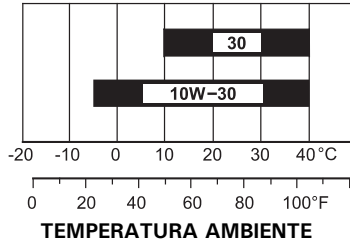
# SERVICIO DE SU GENERADOR

---

## RECOMENDACIÓN DEL ACEITE DE MOTOR

El aceite es un factor muy importante que afecta el rendimiento y la vida de servicio. Emplee aceite detergente para automóviles de 4 tiempos.

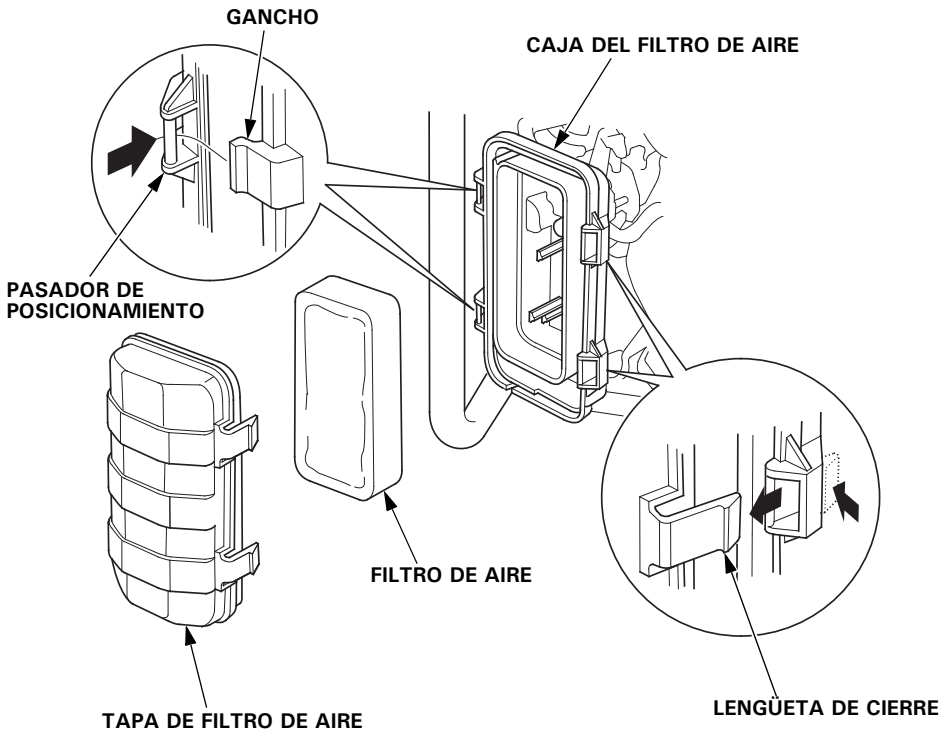
Se recomienda el SAE 10W-30 para aplicaciones generales. Las otras viscosidades mostradas en el gráfico pueden utilizarse cuando la temperatura media de su zona está dentro del margen recomendado.



La viscosidad del aceite SAE y la categoría de servicio están en la etiqueta API del recipiente de aceite. Honda recomienda que utilice aceite de categoría de servicio API de SE o posterior (o equivalente).

## MANTENIMIENTO DEL FILTRO DE AIRE

1. Presione las lengüetas de cierre y abra la tapa del filtro de aire.
2. Libere los ganchos de los pasadores de posicionamiento en la caja del filtro de aire y extraiga la tapa del filtro de aire situada en el lado derecho del tubo del bastidor, evitando dañar la tapa del filtro de aire.
3. Extraiga el filtro de aire de la caja del filtro de aire.
4. Compruebe el filtro de aire y asegúrese de que esté limpio y en buen estado.  
Si el filtro de aire está sucio, límpielo como se describe en la página 41.  
Reemplace el filtro de aire si está dañado.

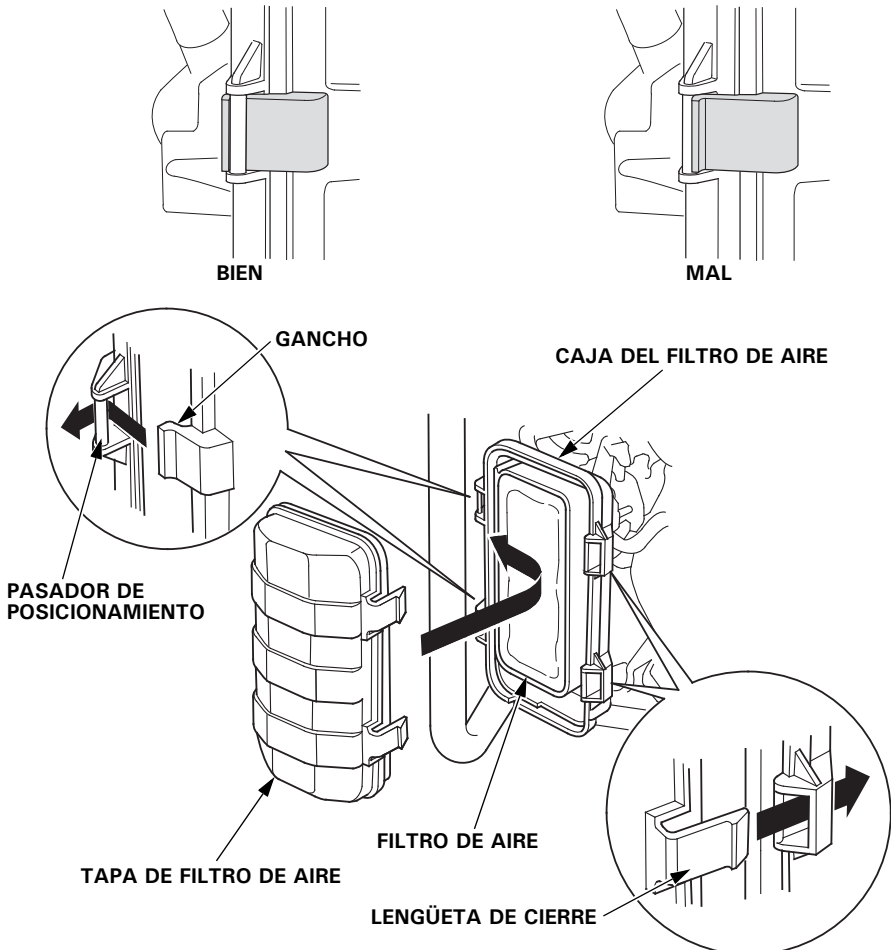


# SERVICIO DE SU GENERADOR

5. Vuelva a instalar el filtro de aire en la caja del filtro de aire.
6. Coloque de forma segura los ganchos de la tapa del filtro de aire en los pasadores de posicionamiento y, a continuación, presione la tapa del filtro de aire para bloquear las lengüetas de cierre. Asegúrese de que la tapa esté colocada de forma segura. No debe haber espacio entre la cubierta y la caja del filtro de aire.

## AVISO

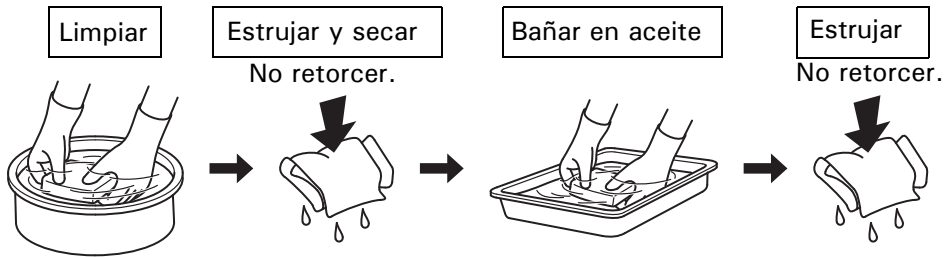
*Si se pone en funcionamiento el motor sin el filtro de aire, o con un filtro de aire dañado, la suciedad se introducirá en el motor, ocasionando su rápido desgaste. La garantía no cubre este tipo de daños.*



## LIMPIEZA DEL FILTRO DE AIRE

Un filtro de aire sucio restringirá el flujo de aire al carburador, reduciendo el rendimiento del motor. Si utiliza el generador en lugares muy polvorientos, limpie el filtro de aire con mayor frecuencia que la que se especifica en el programa de mantenimiento (vea la página 31).

1. Limpie el filtro de aire en agua tibia con jabón, enjuáguelo y deje que se seque por completo o límpielo en disolvente no inflamable y déjelo secar.
2. Sumerja el filtro de aire en aceite de motor limpio y exprima el exceso de aceite. Si se deja demasiado aceite en el filtro de aire, el motor producirá humo cuando se arranque.



3. Frote la suciedad de la caja del filtro de aire y la cubierta con un paño humedecido. Tenga cuidado para evitar que la suciedad se introduzca en el conducto de aire que va al carburador.



# SERVICIO DE SU GENERADOR

## LIMPIEZA DE LA TAZA DE SEDIMENTOS

La taza de sedimentos evita que pueda introducirse en el carburador la suciedad o el agua que pudiera haber en el depósito de combustible. Si no se ha tenido en marcha el motor durante mucho tiempo, deberá limpiarse la taza de sedimentos.

1. Gire la palanca de la válvula del combustible a la posición OFF y extraiga la taza de sedimentos, la junta tórica y el filtro. Tire la junta tórica.

### ⚠ ADVERTENCIA

La gasolina es muy inflamable y explosiva.

Podría quemarse o resultar gravemente herido mientras manipula el combustible.

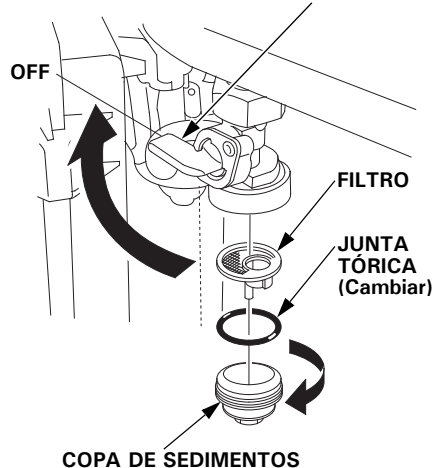
- Pare el motor y mantenga apartados el calor, las chispas, y el fuego.
- Manipule el combustible sólo en exteriores.
- Limpie inmediatamente el líquido derramado.

2. Limpie la taza de sedimentos y el filtro con disolvente no inflamable o de alto punto de inflamación y séquelos por completo.

3. Vuelva a instalar el filtro, una junta tórica nueva y la taza de sedimentos, y apriete con seguridad la taza de sedimentos.

4. Gire la palanca de la válvula de combustible a la posición ON y compruebe si hay fugas.

### PALANCA DE VÁLVULA DE COMBUSTIBLE



## MANTENIMIENTO DE LA BUJÍA DE ENCENDIDO

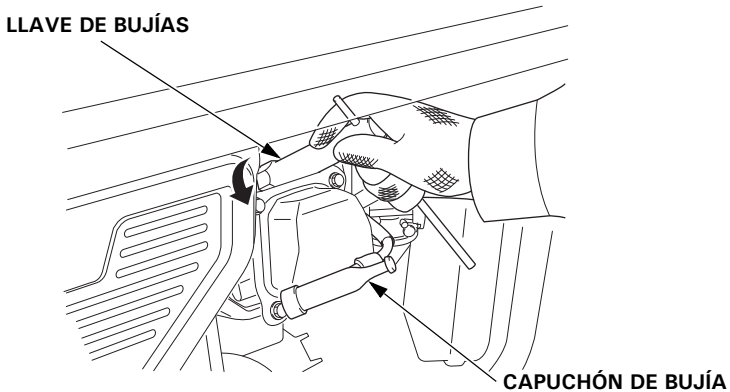
**Bujía recomendada:** BPR6ES (NGK)  
W20EPR-U (DENSO)

### AVISO

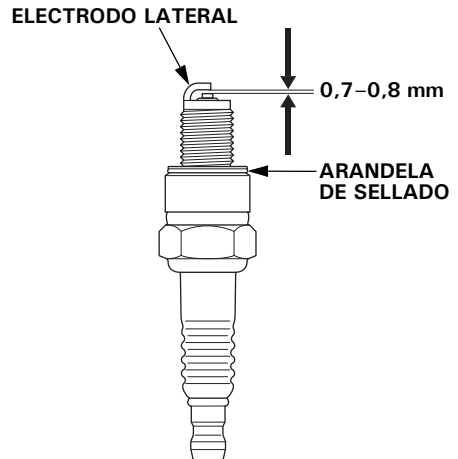
*Unas bujías incorrectas pueden causar daños en el motor.*

Si el motor está caliente, espere a que se enfríe antes de realizar el servicio de la bujía.

1. Desconecte la tapa de la bujía, y saque la suciedad que pudiera haber en torno al área de la bujía.
2. Extraiga la bujía con una llave para bujías.



3. Inspeccione la bujía. Reemplácela si los electrodos están desgastados o si el aislador está agrietado, partido o muy sucio.
4. Mida el huelgo del electrodo de la bujía con un calibre de espesores del tipo de alambre. Corrija el huelgo, si es necesario, doblando con cuidado el electrodo lateral.



El huelgo deberá ser:  
0,7-0,8 mm

## SERVICIO DE SU GENERADOR

---

5. Asegúrese de que la arandela de sellado de la bujía esté en buen estado, y enrosque la bujía con la mano para evitar que se dañen las roscas.
6. Después de asentar la bujía, apriétela con la llave de bujías para comprimir la arandela.

Si vuelve a instalar una bujía usada, apriétela  $1/8$ – $1/4$  de vuelta después de haberse asentado la bujía.

Si instala una bujía nueva, apriétela  $1/2$  de vuelta después de haberse asentado la bujía.

### AVISO

*Una bujía floja puede causar sobrecalentamiento y daños en el motor.*

*El apriete excesivo de la bujía puede dañar las roscas de la culata de cilindros.*

7. Coloque la tapa de la bujía.

# ALMACENAJE

## PREPARATIVOS PARA EL ALMACENAJE

Los preparativos adecuados para el almacenaje son esenciales para mantener el generador exento de problemas y con buena apariencia exterior. Los pasos siguientes ayudarán a evitar que la oxidación y la corrosión afecten al funcionamiento y el aspecto exterior del generador, y facilitarán el arranque del motor cuando vuelva a utilizar el generador.

### Limpieza

Frote el generador con un paño humedecido. Después de haberse secado el generador, retoque cualquier parte dañada con pintura, y revista las otras partes que puedan oxidarse con una capa fina de aceite.

### Combustible

#### AVISO

*Según la región donde funcione el equipo, es posible que las formulaciones de combustible se deterioren y oxiden rápidamente. La oxidación y deterioro del combustible puede ocurrir tras 30 días únicamente y, es posible, que cause daños en el sistema de combustible y el carburador. Consulte con el concesionario de servicio Honda autorizado las recomendaciones de almacenaje locales.*

La gasolina se oxida y deteriora durante el almacenaje. La gasolina vieja dificulta el arranque, y deja acumulaciones de suciedad que obstruyen el sistema de combustible. Si se deteriora la gasolina del generador durante el almacenaje, es posible que tenga que solicitar el servicio o el reemplazo del carburador y de otros componentes del sistema de combustible.

La cantidad de tiempo que la gasolina puede permanecer en el carburador y el depósito de combustible sin causar problemas funcionales varía según factores tales como la mezcla de gasolina, la temperatura de almacenamiento, y si el depósito de combustible está parcial o totalmente lleno. El aire de un depósito de combustible parcialmente lleno acelera el deterioro del combustible. Temperaturas de almacenaje demasiado altas aceleran el deterioro del combustible. Los problemas de deterioro del combustible pueden surgir 30 días después de tener el combustible en el depósito, o incluso menos, si no se utilizó gasolina nueva al rellenar el depósito de combustible.

La garantía no cubre los daños en el sistema de combustible o los problemas de rendimiento del motor causados por preparativos para el almacenaje deficientes.

# ALMACENAJE

---

## PROCEDIMIENTO DE ALMACENAJE

1. Drene el depósito de combustible y el carburador.

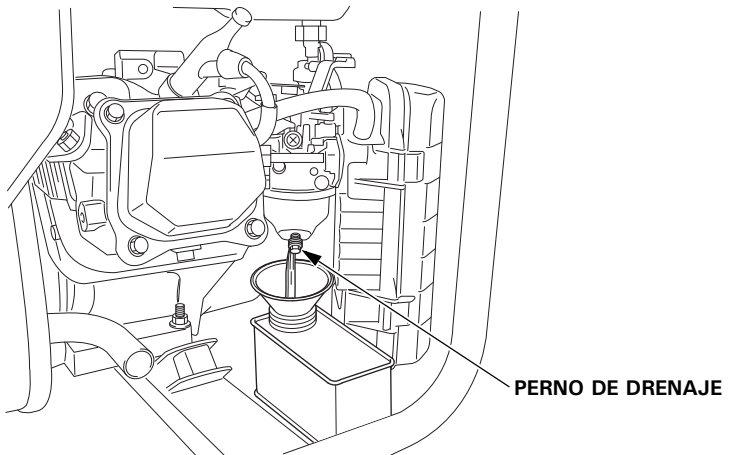
### ⚠ ADVERTENCIA

La gasolina es muy inflamable y explosiva.

Podría quemarse o resultar gravemente herido mientras manipula el combustible.

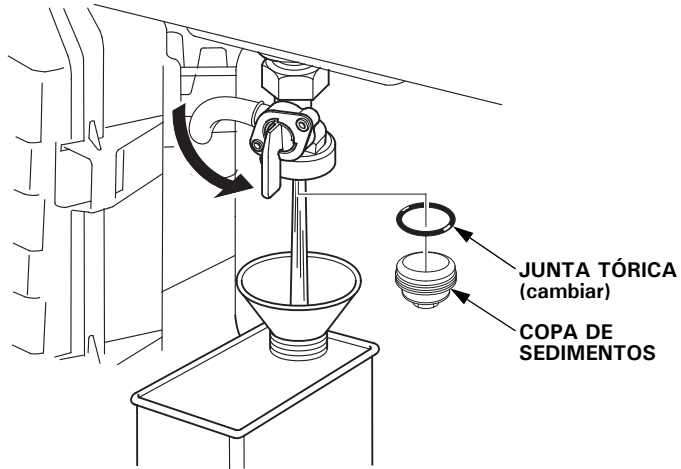
- Pare el motor y mantenga apartados el calor, las chispas, y el fuego.
- Manipule el combustible sólo en exteriores.
- Limpie inmediatamente el líquido derramado.

- a. Ponga un recipiente de gasolina adecuado debajo del carburador, y emplee un embudo para evitar el derrame de combustible.
- b. Gire la palanca de la válvula del combustible a la posición OFF, afloje el perno de drenaje del carburador girándolo entre 1 y 2 vueltas hacia la izquierda y drene el combustible del carburador.



- c. Ponga un recipiente de gasolina adecuado debajo de la taza de sedimentos, y emplee un embudo para evitar el derrame de combustible.

- d. Extraiga la taza de sedimentos, luego gire la palanca de la válvula del combustible a la posición ON y drene el combustible del depósito de combustible.



- e. Después de haber drenado todo el combustible en el recipiente, apriete con seguridad el perno de drenaje.
- f. Vuelva a instalar una junta tórica nueva y la taza de sedimentos, y apriete con seguridad la taza de sedimentos.
- g. Gire la palanca de la válvula del combustible a la posición OFF.
2. Cambie el aceite de motor (vea la página 36).
3. Extraiga las bujías (vea la página 43).
4. Vierta una cucharadita (5 cm<sup>3</sup>) de aceite de motor limpio en el cilindro.
5. Tire de la empuñadura del arrancador varias veces para distribuir el aceite en el cilindro.
6. Vuelva a instalar la bujía.
7. Tire lentamente del asidero del arrancador hasta que se note cierta resistencia. En ese punto, el pistón está llegando a su carrera de compresión y las válvulas de admisión y escape se encuentran cerradas. Guardando el motor en esa posición ayudará a protegerlo contra la corrosión interna. Suelte la empuñadura del arrancador poco a poco.

# ALMACENAJE

---

## PRECAUCIONES PARA EL ALMACENAJE

Si el generador debe almacenarse con gasolina en el depósito de combustible y en el carburador, es importante reducir el peligro de que se enciendan los gases de la gasolina.

Seleccione un lugar de almacenaje bien ventilado apartado de todos los aparatos que funcionen con fuego, como puedan ser los hornos, calentadores de agua o secadoras para la ropa. Evite también los lugares con motores eléctricos que produzcan chispas, o donde se utilicen herramientas eléctricas.

Si es posible, evite los lugares de almacenaje con mucha humedad, porque aceleran la oxidación y la corrosión.

A menos que se haya drenado todo el combustible del depósito de combustible, deje la palanca de la válvula del combustible en la posición OFF (vea la página 24) para reducir la posibilidad de fugas.

Ponga el generador sobre una superficie nivelada. La inclinación podría ocasionar fugas de combustible o de aceite.

Cuando el motor y el sistema de escape estén fríos, cubra el generador para protegerlo contra el polvo. Si el motor y el sistema de escape están calientes pueden hacer que se enciendan o derritan algunos materiales.

No emplee un trozo de plástico como cubierta contra el polvo. Una cubierta que no sea porosa no dejará escapar la humedad en torno al generador, acelerando la oxidación y la corrosión.

## AL SACARLO DEL ALMACENAJE

Compruebe el generador como se describe en el capítulo ANTES DE LA OPERACIÓN de este manual (vea la página 19).

Si se había drenado el combustible durante los preparativos para el almacenaje, llene el depósito con gasolina nueva. Si conserva un recipiente de gasolina para repostar, asegúrese de que sólo contenga gasolina nueva. La gasolina se oxida y deteriora con el tiempo, dificultando el arranque.

Si se había revestido el cilindro con aceite durante los preparativos para el almacenaje, es posible que el motor produzca un poco de humo al principio. Esto es normal.

# TRANSPORTE

## ANTES DEL TRANSPORTE

1. Asegúrese de que la válvula del combustible y el interruptor del motor estén apagados (OFF) (vea la página 24).
2. Drene toda la gasolina del depósito de combustible y del carburador (vea la página 46).

### **⚠ ADVERTENCIA**

La gasolina es muy inflamable y explosiva.

Podría quemarse o resultar gravemente herido mientras manipula el combustible.

- Pare el motor y mantenga apartados el calor, las chispas, y el fuego.
- Manipule el combustible sólo en exteriores.
- Limpie inmediatamente el líquido derramado.

## DURANTE EL TRANSPORTE DEL GENERADOR

Si el generador ha estado en marcha, espere a que el motor se enfríe antes de cargarlo en el vehículo.

Si el motor y el sistema de escape están calientes pueden causarle quemaduras y hacer que se enciendan algunos materiales.

No cargue el generador en un vehículo para transportarlo si está lleno de combustible.

El combustible puede derramarse debido a la vibración durante el transporte.

Cuando transporte el generador, apague (OFF) el interruptor del motor y la palanca de la válvula de combustible, y mantenga el generador en posición horizontal para reducir la posibilidad de fugas de combustible.

Evite los lugares expuestos a la luz directa del sol cuando ponga el generador en un vehículo. Si se deja el generador en un vehículo cerrado durante muchas horas, la alta temperatura del interior del vehículo puede causar la evaporación del combustible pudiéndose producir una explosión.

No circule por carreteras en mal estado durante períodos prolongados con el generador cargado en el vehículo.



# TRANSPORTE

---

## Transporte del generador en camión

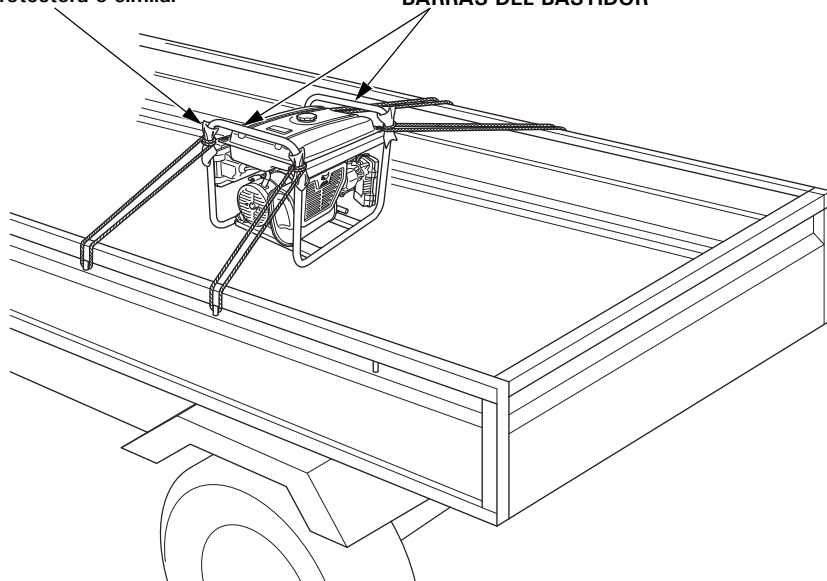
Cargue el generador en un lugar seguro donde no se pueda caer, volcar o dañar. Fíjelo con cuerdas o correas de sujeción.

Al utilizar cuerdas o correas de sujeción para fijar y transportar el generador, utilice únicamente las barras del bastidor como punto de anclaje y protéjalas con una tela protectora o similar.

No ate cuerdas ni correas a ninguna otra parte del cuerpo del generador.

Tela protectora o similar

BARRAS DEL BASTIDOR



# CUIDADOS PARA PROBLEMAS INESPERADOS

## EL MOTOR NO ARRANCA

Posible causa	Solución
Válvula de combustible apagada (OFF).	Ponga la válvula en la posición ON (vea la página 14).
Estrangulador abierto (OPEN).	Círrerlo (posición CLOSED) excepto si el motor está caliente (vea la página 14).
Interruptor del motor apagado (OFF).	Encienda el motor (ON) (vea la página 15).
Sin combustible.	Reposte (vea la página 32).
Mal combustible; generador almacenado sin drenar la gasolina, o repostado con gasolina mala.	Drene el depósito de combustible y el carburador (vea la página 46). Reposte con gasolina nueva (vea la página 32).
Un bajo nivel de aceite provocó una alerta de aceite que ha parado el motor.	Añada aceite (vea la página 35). Gire el interruptor del motor a la posición OFF y vuelva a arrancar el motor.
Bujía defectuosa, sucia o con separación incorrecta.	Ajuste la separación de la bujía o sustitúyala (vea la página 43).
Bujía impregnada de combustible (motor ahogado).	Seque e instale la bujía de nuevo.
Filtro de combustible no válido, fallo del carburador o del encendido, válvulas atascadas, etc.	Lleve el generador a su concesionario de servicio, o consulte el manual de taller.

## BAJA POTENCIA DEL MOTOR

Posible causa	Solución
Filtro de aire no válido.	Limpie o reemplace el filtro de aire (vea las páginas 39 a la 41).
Mal combustible; generador almacenado sin drenar la gasolina, o repostado con gasolina mala.	Lleve el generador a su concesionario de servicio, o consulte el manual de taller.
Filtro de combustible no válido, fallo del carburador o del encendido, válvulas atascadas, etc.	Lleve el generador al concesionario de servicio Honda autorizado o consulte el manual de taller.

# **CUIDADOS PARA PROBLEMAS INESPERADOS**

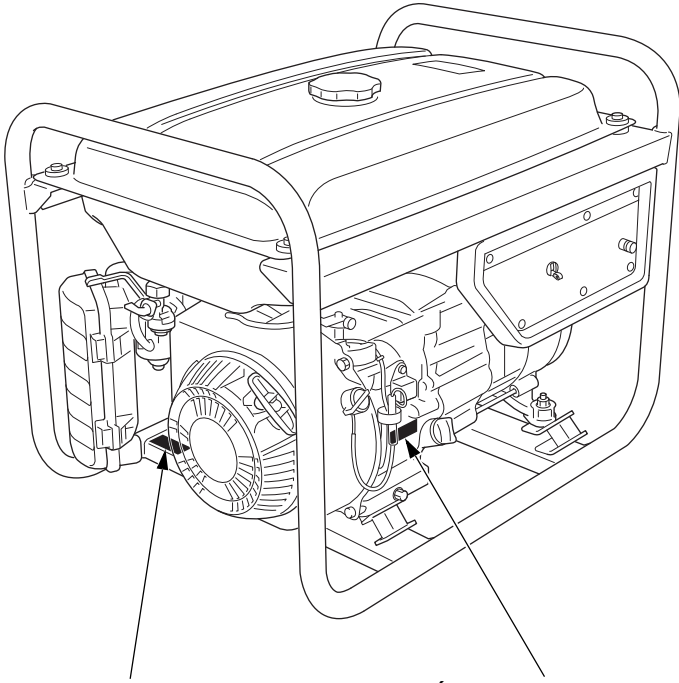
---

## **NO HAY POTENCIA EN EL RECEPTÁCULO DE CA**

<b>Posible causa</b>	<b>Solución</b>
Disyuntor dejado en la posición OFF después del arranque.	Conecte (ON) el disyuntor (vea la página 25).
Avería del aparato o herramienta motorizada.	Reemplace o repare el aparato o la herramienta motorizada. Pare el motor y vuélvalo a arrancar.
Avería del generador.	Lleve el generador a su concesionario de servicio, o consulte el manual de taller.

# INFORMACIÓN TÉCNICA

## SITUACIÓN DE LOS NÚMEROS DE SERIE



**NÚMERO DE SERIE DEL BASTIDOR**

**NÚMERO DE SERIE DEL MOTOR**

Anote los números de serie del motor y del bastidor y la fecha de adquisición en los espacios siguientes. Necesitará esta información cuando realice pedidos de piezas y consultas técnicas o sobre la garantía.

Número de serie del motor: \_\_\_\_\_

Número de serie del bastidor: \_\_\_\_\_

Fecha de adquisición: \_\_\_\_\_

# INFORMACIÓN TÉCNICA

---

## MODIFICACIÓN DEL CARBURADOR PARA FUNCIONAR A GRAN ALTITUD

A grandes altitudes, la mezcla normal de aire-combustible del carburador será demasiado rica. Se reducirá el rendimiento y aumentará el consumo de combustible. Si la mezcla es demasiado rica, ensuciará también la bujía y puede dificultar el arranque. El funcionamiento a una altitud distinta de la certificada para este motor, durante períodos prolongados de tiempo, puede ocasionar un incremento en las emisiones de escape.

El rendimiento a grandes altitudes podrá mejorar mediante modificaciones específicas en el carburador. Si siempre opera el generador a altitudes de más de 1.500 metros, solicite a su concesionario de servicio autorizado Honda que efectúe esta modificación del carburador.

Incluso con la modificación del carburador, la potencia del motor se reducirá aproximadamente el 3,5% por cada 300 m de incremento de la altitud. El efecto de la altitud en la potencia será mayor si no se han efectuado las modificaciones en el carburador.

### AVISO

*Quando se haya modificado el carburador para funcionar a gran altitud, la mezcla de aire-combustible será demasiado pobre para funcionar a bajas altitudes. El funcionamiento a altitudes de menos de 1.500 metros con el carburador modificado puede causar sobrecalentamiento del motor y ocasionar serios daños en el motor. Para el funcionamiento a bajas altitudes, solicite a su concesionario de servicio Honda autorizado que reajuste el carburador a las especificaciones originales de fábrica.*

## ESPECIFICACIONES

### Dimensiones

Modelo	ER2500CX
Código de descripción	ECCC
Longitud	591 mm
Anchura	432 mm
Altura	462 mm
Masa en seco (peso)	40,0 kg

### Motor

Modelo	GP160
Tipo de motor	4 tiempos, monocilíndrico, válvulas en culata
Cilindrada	163 cm <sup>3</sup>
Diámetro × Carrera	68,0 × 45,0 mm
Sistema de refrigeración	Aire forzado
Sistema de encendido	Encendido de magneto de transistor
Capacidad de aceite	0,58 L
Capacidad del depósito de combustible	14,5 L
Bujía de encendido	BPR6ES (NGK), W20EPR-U (DENSO)

### Generador

Modelo		ER2500CX					
Tipo		K	M	R	RE	L	S
Salida de CA	Tensión nominal	230 V	220 V			120 V	220 V
	Frecuencia nominal	50 Hz				60 Hz	
	Amperaje	8,7 A	9,1 A			19,2 A	10,5 A
	Potencia nominal	2,0 kVA				2,3 kVA	
	Potencia máxima	2,2 kVA				2,5 kVA	
Margen de temperatura de operación		-5 C° – 40 C°					

Las especificaciones pueden cambiar dependiendo de los tipos y están sujetas a modificaciones sin previo aviso.

# INFORMACIÓN TÉCNICA

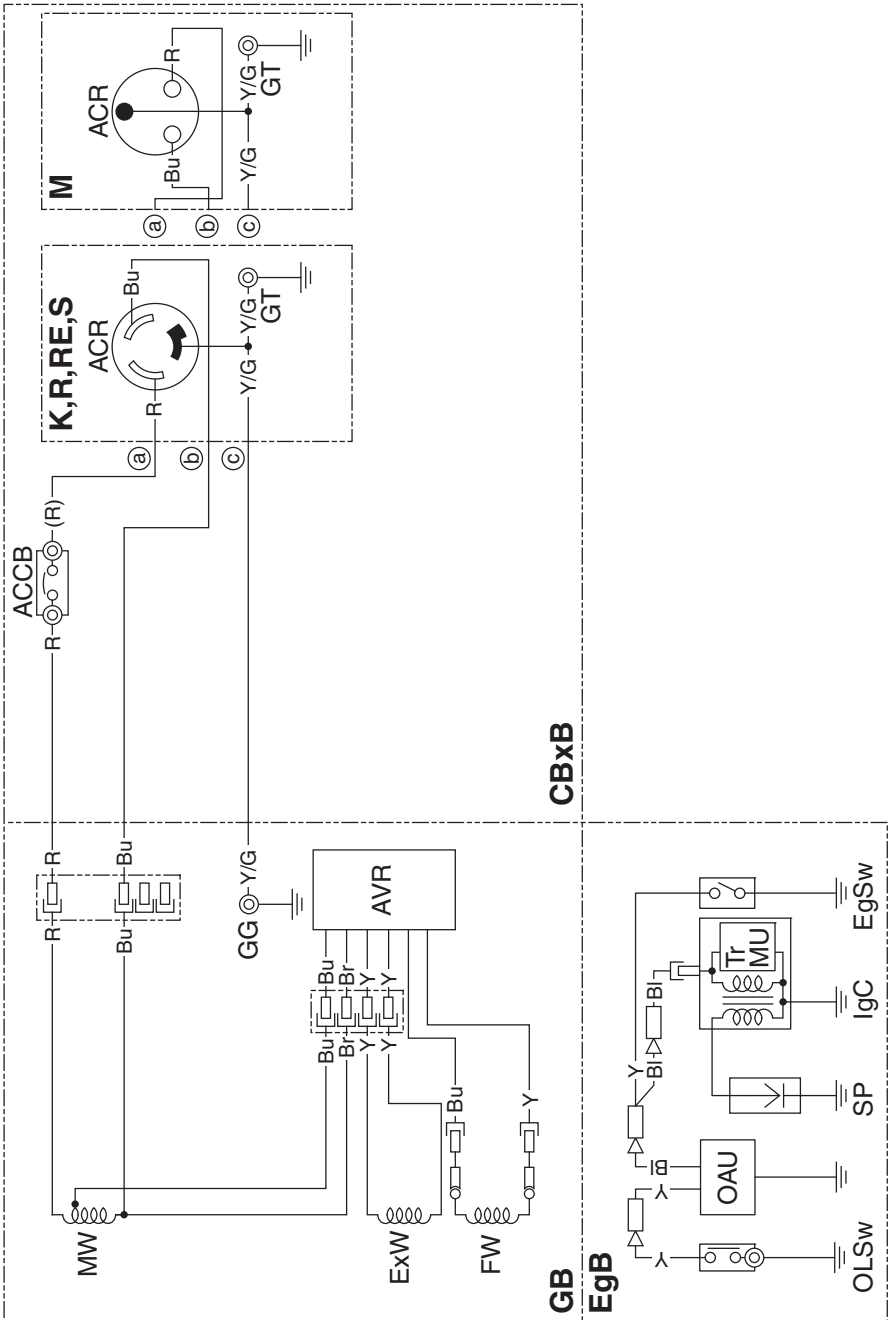
---

## DIAGRAMA DE CONEXIONES

	Designación
ACCB	Disyuntor de CA
ACR	Receptáculo de CA
AVR	Regulador automático de la tensión
CBxB	Bloque de la caja de control
EgB	Bloque del motor
EgSw	Interruptor del motor
ExW	Devanado del motor
FW	Devanado de campo
GB	Bloque del generador
GG	Toma de tierra del generador
GT	Terminal de tierra
IgC	Bobina de encendido
MW	Devanado principal
OAU	Unidad de alerta del aceite
OLSw	Interruptor de nivel de aceite
SP	Bujía de encendido
TrMU	Unidad de magneto de transistor

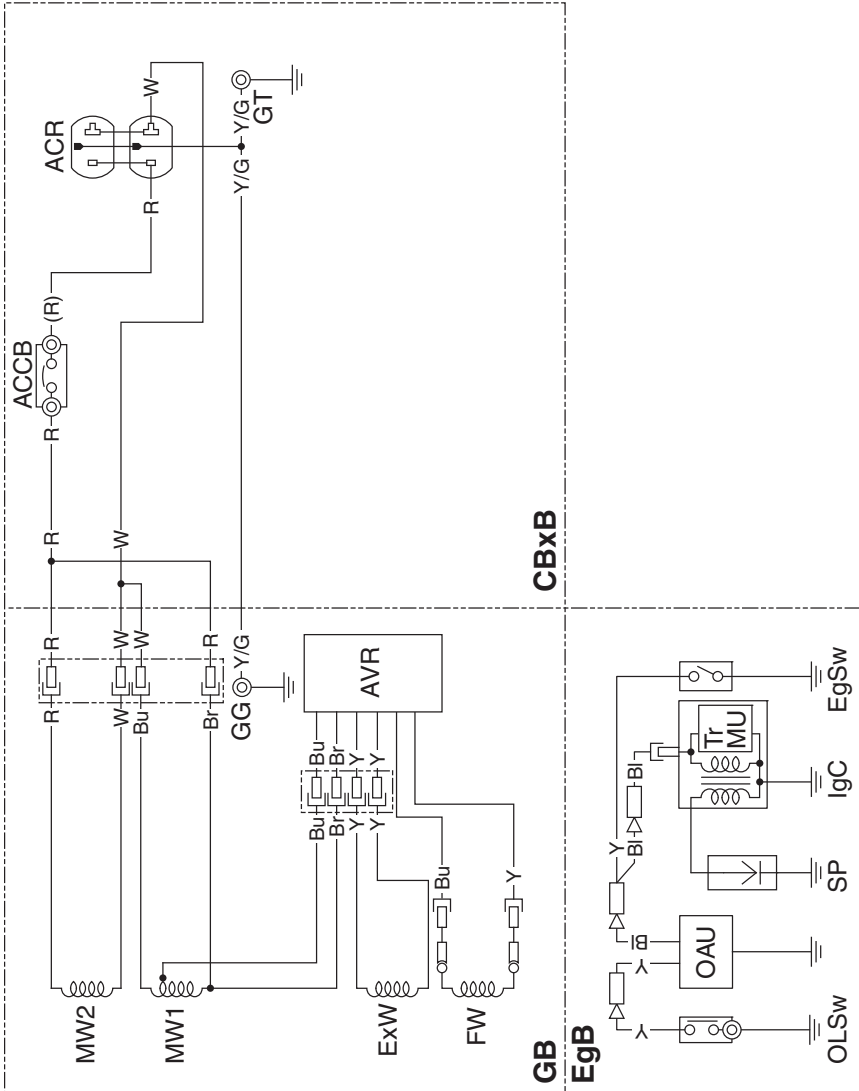
	Color del cable
Bl	Negro
Br	Marrón
G	Verde
Bu	Azul
O	Naranja
R	Rojo
W	Blanco
Y	Amarillo

## Tipos K, M, R, RE, S





## Tipo L



**Honda ER2500CX**

**دليل المالك**

احتفظ بدليل المالك هذا في المتناول بحيث يمكنك الرجوع إليه في أي وقت.  
ويعتبر دليل المالك هذا جزءاً لا يتجزأ من المولد ويجب أن يبقى مع المولد إذا تم بيعه.

كانت المعلومات والمواصفات الواردة في هذه النشرة سارية المفعول في وقت الموافقة على الطباعة. ومع ذلك، تحتفظ شركة هوندا موتور المحدودة Honda Motor Co., Ltd. لنفسها بحق وقف أو تغيير المواصفات أو التصميم في أي وقت دون سابق إنذار ودون تحمل أي التزام من أي نوع.

## مقدمة

تهانينا على اختيارك لمولد هوندا. ونحن على ثقة أنك ستسعد بشراء واحد من أفضل المولدات في السوق.

إننا نريد أن نساعدك في الحصول على أفضل النتائج من المولد الجديد الخاص بك وتشغيله بشكل آمن. يحتوي هذا الدليل على كافة المعلومات حول كيفية القيام بذلك، يُرجى قراءتها بعناية.

عندما تقرأ هذا الدليل، ستجد معلومات يسبقها رمز [إشعار]. هذه المعلومات مخصصة لمساعدتك على تجنب إحداث ضرر بالمولد الخاص بك أو غيره من الممتلكات أو البيئة.

ونقترح أن تقوم بقراءة سياسة الضمان لفهم ما تغطيه ومسؤوليات ملكيتك بشكل كامل.

عندما يحتاج المولد الخاص بك إلى صيانة دورية، فمن الواجب التأكد أن وكيل هوندا للصيانة مدرّب خصيصاً على صيانة مولدات هوندا. إن وكيل هوندا للصيانة المعتمدة مكرس لإرضائكم وسنكون سعداء للرد على أسئلتكم وشكواكم.

مع أطيب التمنيات،  
شركة هوندا موتور المحدودة.

## بضع كلمات حول الأمان


سلامتك وسلامة الآخرين شيء مهم جداً. واستخدام هذه المولدات بأمان هو مسؤولية هامة.

لمساعدتك على اتخاذ قرارات جيدة بشأن الأمان، نقدم إليك معلومات عن إجراءات التشغيل ومعلومات أخرى عن الملصقات في هذا الدليل. وهذه المعلومات تنبهك بالأخطار المحتملة التي يمكن أن تضررك أو تضر الآخرين.

وبالطبع، ليس من العملي أو الممكن أن يتم تحذيرك بجميع الأخطار المرتبطة بالتشغيل أو صيانة المولد. يجب عليك استخدام حكمك الجيد.

ستجد معلومات هامة تتعلق بالأمان في مجموعة متنوعة من الأشكال، تشمل:

• **ملصقات الأمان** — على المولد.

• **رسائل الأمان** — يسبقها رمز تنبيه السلامة  وواحدة من كلمات الإشارة الثلاث، خطر أو تحذير أو تنبيه.

كلمات الإشارة هذه تعني:

ستتعرض للوفاة أو إصابة خطيرة إذا لم تتبع الإرشادات.



يمكن أن تتعرض للوفاة أو إصابة خطيرة إذا لم تتبع الإرشادات.



يمكن أن تتعرض لإصابة خطيرة إذا لم تتبع الإرشادات.



• **عناوين الأمان** — مثل معلومات الأمان الهامة.

• **قسم الأمان** — مثل أمان المولد.

• **الإرشادات** — كيفية استخدام هذا المولد بشكل صحيح وآمن.

هذا الكتاب بأكمله ممتلئ بمعلومات الأمان الهامة — يُرجى قراءتها بعناية.

# المحتويات

٦	أمان المولد
٦	معلومات الأمان الهامة
٦	مسؤوليات من يقوم بالتشغيل
٦	أخطار غاز أول أكسيد الكربون
٧	أخطار الصدمة الكهربائية
٧	أخطار الحريق والحروق الجلدية
٨	التزود بالوقود بحرص
٩	مواضع ملصقات الأمان
١٢	مفاتيح التحكم والخصائص
١٢	المكونات ومواضع مفاتيح التحكم
١٤	مفاتيح التحكم
١٤	ذراع صمام الوقود
١٤	مقبض الخانق
١٥	مفتاح المحرك
١٥	مقبض محرك التشغيل
١٥	قاطع دائرة التيار المتردد
١٦	قابس الطاقة
١٧	الخصائص
١٧	نظام الإنذار بانخفاض الزيت
١٧	طرف تأريض
١٨	مقياس الوقود
١٩	قبل التشغيل
١٩	هل أنت جاهز لبدء التشغيل؟
١٩	المعرفة
١٩	هل المولد جاهز للتشغيل؟
٢٠	افحص المحرك

٢١	التشغيل
٢١	احتياطات التشغيل الآمن
٢٢	بدء تشغيل المحرك
٢٤	إيقاف تشغيل المحرك
٢٥	تشغيل التيار المتردد AC
٢٦	تطبيقات التيار المتردد
٢٧	الطاقة الاحتياطية
٢٧	التوصيلات بالنظام الكهربائي لمبنى
٢٧	نظام التأريض
٢٨	متطلبات خاصة
٢٩	صيانة المولد الخاص بك
٢٩	أهمية الصيانة
٣٠	أمان الصيانة
٣٠	احتياطات الأمان
٣١	جدول الصيانة الدورية
٣٢	التزود بالوقود
٣٤	توصيات الوقود
٣٥	فحص مستوى زيت المحرك
٣٦	تغيير زيت المحرك
٣٨	توصيات زيت المحرك
٣٩	صيانة منظم الهواء
٤١	تنظيف مرشح الهواء
٤٢	تنظيف طاسة الترسيب
٤٣	صيانة شمعة الإشعال
٤٥	التخزين
٤٥	الإعداد للتخزين
٤٥	التنظيف
٤٥	الوقود
٤٦	إجراء التخزين
٤٨	احتياطات التخزين
٤٨	إخراج المولد من التخزين

٤٩	النقل
٤٩	قبل النقل
٤٩	عند نقل المولد
٥٠	نقل المولد بواسطة شاحنة
٥١	العناية بالمشكلات غير المتوقعة
٥١	المحرك لا يبدأ التشغيل
٥١	المحرك ليس به طاقة
٥٢	لا توجد طاقة في مقبس التيار المتردد AC
٥٣	المعلومات الفنية
٥٣	موضع الرقم التسلسلي
٥٤	تعديل الكاربوريتير للتشغيل على الارتفاعات العالية
٥٥	المواصفات
٥٦	مخطط توزيع الأسلاك



# أمان المولد

## معلومات الأمان الهامة

إن مولدات هوندا مصممة لكي تستخدم مع أجهزة كهربائية ذات متطلبات طاقة ملائمة. وقد ينتج عن استخدام أجهزة أخرى غير مناسبة حدوث إصابة لمن يقوم بالتشغيل أو تلف للمولد والممتلكات الأخرى. يمكن منع حدوث معظم الإصابات أو تلف الممتلكات في حالة اتباع جميع الإرشادات الواردة في هذا الدليل وعلى المولد. مشروح أدناه الأخطار الأكثر شيوعاً، وذلك مع أفضل الطرق لحماية نفسك والآخرين.

### مسؤوليات من يقوم بالتشغيل

- اعرف كيفية إيقاف تشغيل المولد بسرعة في حالة الطوارئ.
- تعرف على استخدام جميع مفاتيح التحكم الخاصة بالمولد ومقابس الخرج والتوصيلات.
- تأكد من أن أي شخص يقوم بتشغيل المولد قد تلقى الإرشادات المناسبة. لا تسمح للأطفال بتشغيل المولد دون إشراف الوالدين.

### أخطار غاز أول أكسيد الكربون

يحتوي عادم المولد على غاز أول أكسيد الكربون السام عديم اللون والرائحة. وقد يؤدي استنشاق غاز أول أكسيد الكربون إلى الوفاة في دقائق معدودة. ولتجنب التسبب بغاز أول أكسيد الكربون، اتبع تلك الإرشادات عند تشغيل المولد:

- لا تقم بتشغيل المولد إلا بالخارج فقط، بعيداً عن النوافذ والأبواب وفتحات التهوية.
- لا تقم مطلقاً بتشغيل المولد داخل منزل أو جراج أو طابق سفلي أو قبو أو أي مكان مغلق أو مغلق جزئياً.
- لا تقم مطلقاً بتشغيل المولد بالقرب من الأبواب أو النوافذ المفتوحة.
- في حالة الاشتباه باستنشاق غاز أول أكسيد الكربون، استنشق هواءً نقيًا وحاول الحصول على الرعاية الطبية على الفور.

تتضمن الأعراض المبكرة للتعرض لغاز أول أكسيد الكربون الصداع والإعياء وضيق في التنفس والغثيان والدوار. وقد يتسبب التعرض المستمر للغاز في فقدان التناسق العضلي والوعي، ومن ثم يؤدي إلى الوفاة.

### أخطار الصدمة الكهربائية

- ينتج المولد طاقة كهربائية كافية يمكن أن تتسبب في حدوث صدمة كهربائية شديدة أو الموت بالصدمة الكهربائية إذا ما تم استخدامها بشكل خاطئ.
- تجنب الاستخدام في الحالات الرطبة. واحتفظ بالمولد جافاً.
  - لا يُستخدم في المطر أو الثلج.
  - لا يُستخدم بالقرب من بركة أو نظام رشاش المياه.
  - لا يُستخدم عندما تكون يداك مبللتين.
- في حالة تخزين المولد في العراء دون حماية من الظروف المناخية، فتتحقق من جميع المكونات الكهربائية الموجودة على لوحة التحكم قبل كل استخدام. قد تتسبب الرطوبة أو الثلج في حدوث عطل أو دائرة قصر في المكونات الكهربائية وهو ما قد يؤدي إلى الموت بسبب الصدمة الكهربائية.
- لا تقم بتوصيل المولد بالنظام الكهربائي لمبنى إلا في حالة تركيب مفتاح عزل بواسطة فني كهربائي مؤهل.

### أخطار الحريق والحروق الجلدية

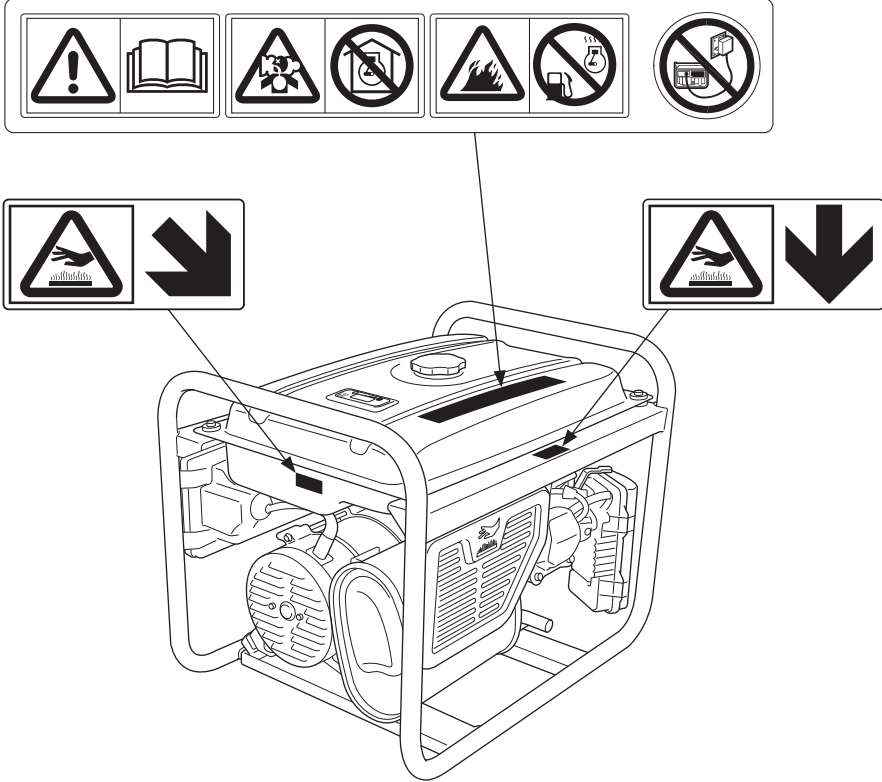
- يصبح نظام العادم ساخناً بدرجة تكفي لإشعال بعض المواد.
  - احتفظ بالمولد بعيداً عن المباني والمعدات الأخرى بمقدار ١ متر على الأقل أثناء التشغيل.
  - لا تقم بوضع المولد في مكان مغلق في أي بناية.
  - احتفظ بالمواد القابلة للاشتعال بعيدة عن المولد.
- يصبح كاتم الصوت ساخناً جداً أثناء التشغيل، ويظل ساخناً لفترة من الوقت بعد إيقاف المحرك. احرص على عدم لمس كاتم الصوت وهو ساخن. واترك المحرك لكي يبرد قبل تخزين المولد في مكان مغلق.

## التزود بالوقود بحرص

- يعد البنزين مادة شديدة الاشتعال، ويمكن لبخار البنزين أن ينفجر.
- لا تقم بإعادة ملء الوقود أثناء التشغيل.
- اترك المحرك ليبرد إذا كان في وضع التشغيل قبل ذلك.
- لا تتزود بالوقود إلا في الخارج وفي منطقة جيدة التهوية وعلى سطح مستو.
- لا تقم بالتدخين بالقرب من البنزين مطلقاً، واحتفظ بمصادر اللهب والشرارات الأخرى بعيدة.
- لا تملأ خزان الوقود بطريقة زائدة عن الحد.
- تأكد من تجفيف أي وقود مسكوب قبل بدء تشغيل المحرك.
- قم دائماً بتخزين البنزين في حاويات معتمدة.

## مواضع ملصقات الأمان

تنبهك هذه الملصقات إلى الأخطار المحتملة التي قد تتسبب في إصابات خطيرة. اقرأ هذه الملصقات بعناية. إذا تم نزع أي من هذه الملصقات أو أصبح من الصعب قراءته، فاتصل بوكيل الصيانة الخاص بك لاستبداله.



- تم تصميم مولد هوندا لتوفير خدمات آمنة وموثوقة، وذلك إذا تم تشغيله وفقاً للإرشادات.  
اقرأ دليل المالك وافهمه قبل تشغيل المولد. قد ينتج عن عدم القيام بذلك حدوث إصابة شخصية أو تلف الجهاز.



- يحتوي العادم على غاز أول أكسيد الكربون السام، وهو غاز عديم اللون والرائحة. قد يتسبب استنشاق غاز أول أكسيد الكربون في فقدان الوعي، وقد يؤدي إلى الوفاة.
- في حالة تشغيل المولد في مكان مغلق، أو حتى في مكان مغلق جزئياً، فقد يحتوي الهواء الذي تستنشقه على كمية خطيرة من غاز العادم.
- لا تقم مطلقاً بتشغيل المولد داخل جراج أو منزل أو بالقرب من النوافذ أو الأبواب المفتوحة.



- البنزين هو مادة قابلة للاشتعال والانفجار بصورة كبيرة.  
قم بإيقاف تشغيل المحرك واتركه يبرد قبل التزود بالوقود.



- لا تقم بتوصيل المولد بالنظام الكهربائي لمبنى إلا في حالة تركيب مفتاح عزل بواسطة فني كهربائي مؤهل.
- يجب تركيب التوصيلات الخاصة بالطاقة الاحتياطية بالنظام الكهربائي لمبنى بواسطة فني كهربائي مؤهل، ويجب أن تكون متوافقة مع جميع القوانين والمواصفات الكهربائية المعمول بها. قد تؤدي التوصيلات غير الصحيحة إلى تغذية التيار الكهربائي الصادر من المحرك تغذية عكسية إلى خطوط المرافق الكهربائية.
- من الممكن أن تتسبب هذه التغذية العكسية في الوفاة بسبب الصدمة الكهربائية لعمال شركة المرافق أو من يلامس الخطوط الكهربائية أثناء انقطاع التيار الكهربائي، وعند استعادة قدرة المرافق الكهربائية، قد ينفجر المولد أو يحترق أو يتسبب في نشوب حريق في النظام الكهربائي للمبنى.



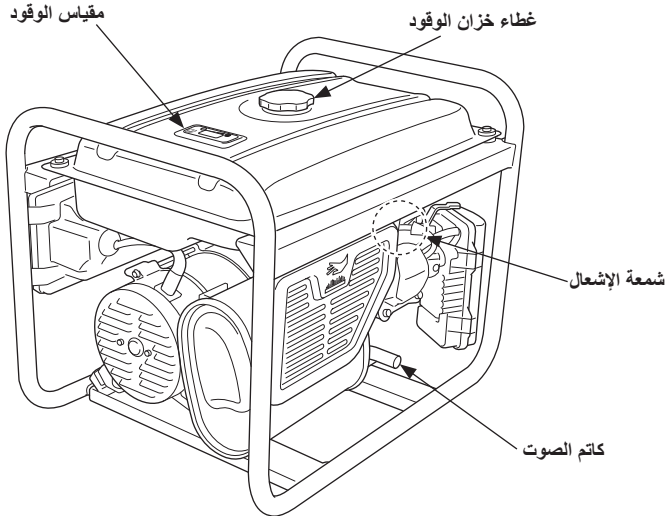
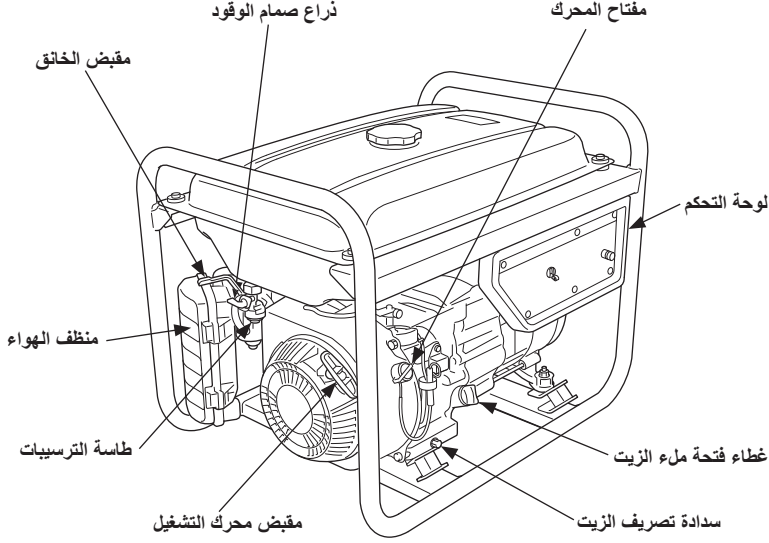
- قد يتسبب نظام العادم الساخن في حدوث حروق خطيرة. تجنب ملامسته إذا كان المحرك يعمل قبل ذلك.



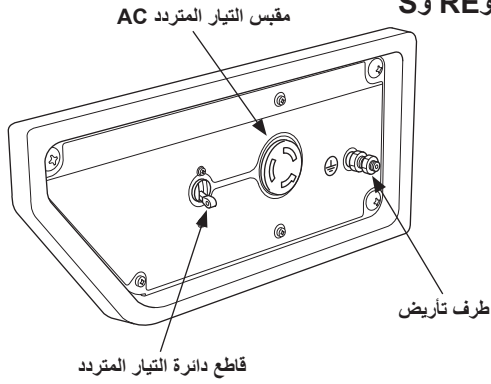
# مفاتيح التحكم والخصائص

## المكونات ومواضع مفاتيح التحكم

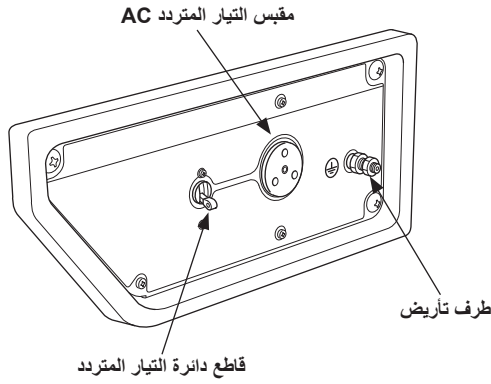
استخدم الأشكال التوضيحية الموجودة في الصفحات التالية للتعرف على مفاتيح التحكم الأكثر استخدامًا وتحديد أماكنها.



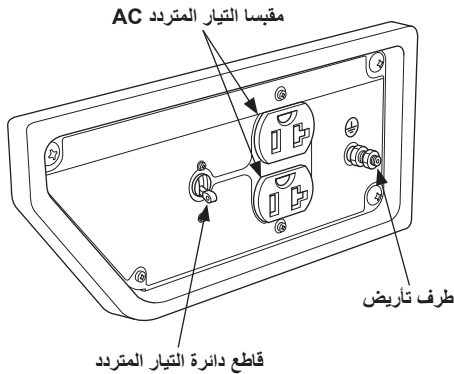
## الأنواع R و K و RE و S



## النوع M



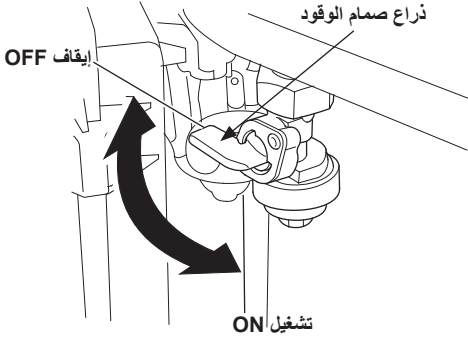
## النوع L





## مفاتيح التحكم

### ذراع صمام الوقود

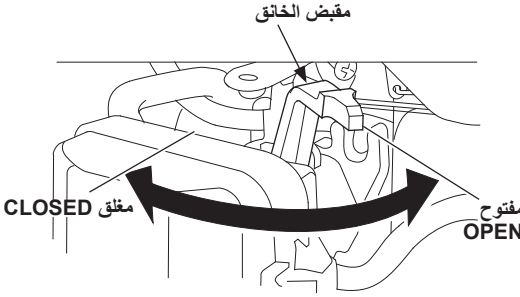


يوجد ذراع صمام الوقود بين خزان الوقود والكاربورتير.

يجب أن يكون ذراع صمام الوقود على الوضع تشغيل ON وذلك لكي يتم تشغيل المحرك.

بعد إيقاف المحرك، قم بنقل ذراع صمام الوقود إلى الوضع إيقاف OFF.

### مقبض الخانق



يعمل مقبض الخانق على فتح وغلق صمام الخانق في الكاربورتير.

يعمل الوضع مغلق CLOSED على زيادة مقدار خليط الوقود لبدء تشغيل محرك بارد.

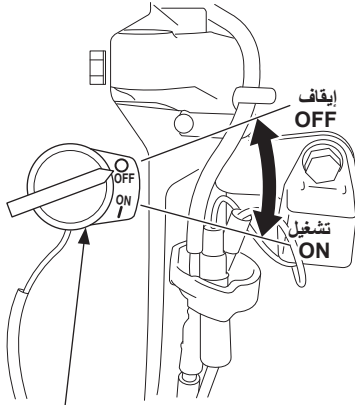
يعمل الوضع مفتوح OPEN على تزويد المقدار الصحيح من خليط الوقود اللازم لعمل المحرك بعد بدء التشغيل، وكذلك لإعادة تشغيل محرك ساخن.

## مفتاح المحرك

يتحكم مفتاح المحرك في نظام الإشعال.

إيقاف OFF – يوقف المحرك.

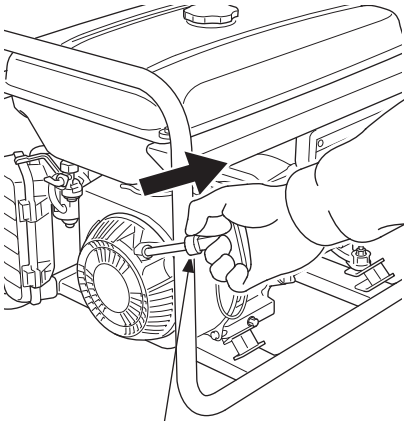
تشغيل ON – وضع التشغيل، ويستخدم لبدء تشغيل المحرك.



مفتاح المحرك

## مقبض محرك التشغيل

من خلال سحب مقبض تشغيل المحرك، يعمل بادئ الحركة الارتدادي على تدوير المحرك لبدء التشغيل.

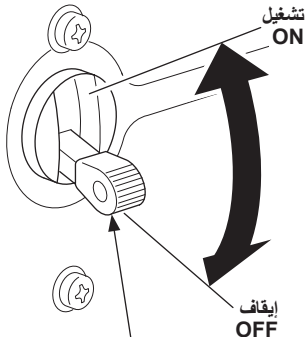


مقبض محرك التشغيل

## قاطع دائرة التيار المتردد

يتحول قاطع الدائرة تلقائيًا إلى الوضع إيقاف OFF، وذلك في حالة حدوث دائرة قصر أو تحميل زائد بحد كبير على المقبس.

قد يستخدم قاطع الدائرة لتحويل قدرة المولد إلى الوضع تشغيل ON أو إيقاف OFF.



قاطع دائرة التيار المتردد

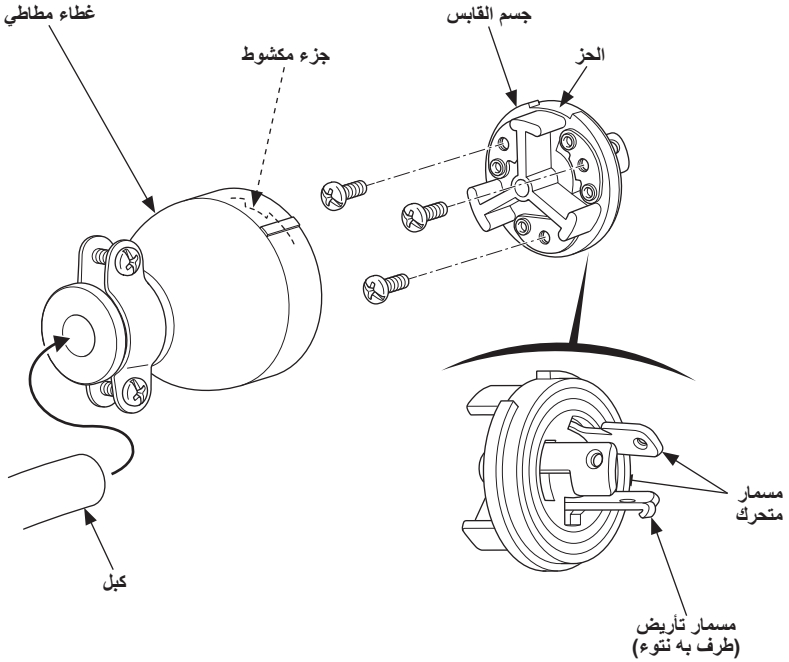
## قابس الطاقة

يتم إرفاق هذا المولد مع قابس طاقة متوافق مع المخرج المجهز في المولد (أنواع K و R و RE و L و S).

ينبغي صيانة توصيلات الكبلات بواسطة فنيين كهربائيين، إلا إذا كنت تمتلك الأدوات المناسبة وكنت بارعًا في المجال الكهربائي.

ينبغي أداء الأعمال الكهربائية بواسطة فنيين كهربائيين مؤهلين وفقًا لجميع القوانين والمواصفات الكهربائية المعمول بها.

مثال: الأنواع K و R و RE و S



## الخصائص

### نظام الإنذار بانخفاض الزيت

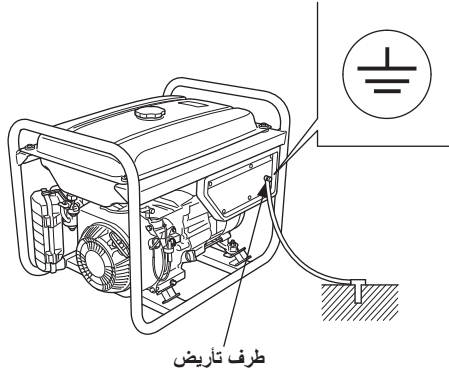
تم تصميم نظام الإنذار بانخفاض الزيت كي يمنع تلف المحرك بسبب وجود كمية غير كافية من الزيت في علبة المرافق. قبل انخفاض مستوى الزيت في علبة المرافق أدنى الحد الآمن، سيقوم نظام الإنذار بانخفاض الزيت بإيقاف تشغيل المحرك تلقائيًا (يظل مفتاح المحرك على الوضع تشغيل ON).

إذا توقف المحرك ولم يعمل مرة أخرى، فتتحقق من مستوى زيت المحرك (انظر صفحة ٣٥) قبل البحث عن وجود أخطاء في أماكن أخرى.

### طرف تأريض

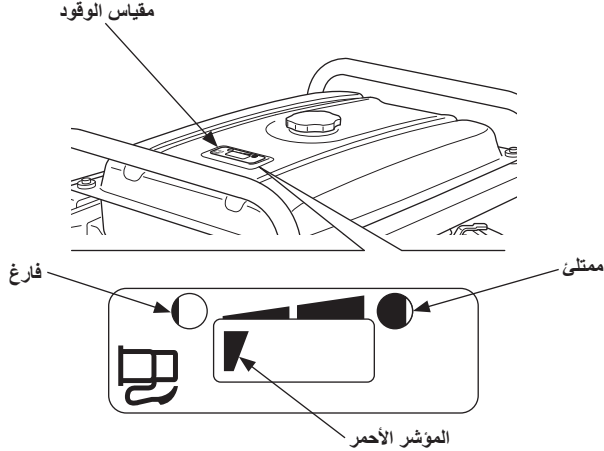
يتصل طرف التأريض بهيكل المولد، وهو الجزء المعدني غير الموصل للتيار الذي يحمل أجزاء المولد وكذلك طرف التأريض بالمقيس.

قبل استخدام طرف التأريض، استشر فنيًا مؤهلاً أو مفتش كهرباء أو وكالة محلية ذات سلطة قضائية مختصة بالقوانين المحلية أو التنظيمات المطبقة على الغرض من استخدام المولد.



## مقياس الوقود

مقياس الوقود هو جهاز ميكانيكي يقوم بقياس مستوى الوقود في الخزان. ويشير المؤشر الأحمر على الشاشة إلى مستوى الوقود بـفارغ أو ممتلئ. للحصول على وقت تشغيل أطول، ابدأ التشغيل بخزان ممتلئ قبل التشغيل. تحقق من مستوى الوقود مع وجود المولد على سطح مستوي. تزود بالوقود دائماً مع وجود المحرك على وضع إيقاف OFF وهو بارد.



## قبل التشغيل

هل أنت جاهز لبدء التشغيل؟

إن سلامتك هي مسؤوليتك الخاصة. ف قضاء قليل من الوقت في الإعداد السابق للتشغيل سيقفل بشكل ملحوظ من خطر تعرضك لإصابة شخصية.

### المعرفة

اقرأ هذا الدليل وافهمه جيدًا. تعرف على أدوار مفاتيح التحكم وكيفية تشغيلها.

تعرف على المولد وتشغيله قبل البدء في استخدامه. اعرف كيفية إيقاف تشغيل المولد بسرعة في حالة الطوارئ.

إذا كان المولد مستخدمًا لتزويد أجهزة كهربائية بالقدرة، فتأكد من أنها لا تتخطى معدل التحميل الخاص بالمولد (انظر صفحة ٢٦).

### هل المولد جاهز للتشغيل؟

من المهم جدًا قضاء بعض الوقت في فحص حالة المولد قبل تشغيله، وذلك حفاظًا على سلامتك، ولضمان التوافق مع اللوائح البيئية، ولزيادة عمر تشغيل الجهاز الخاص بك. تأكد من إصلاحك أية مشكلة تكتشفها، أو اجعل وكيل الصيانة الخاص بك يقوم بإصلاحها، وذلك قبل تشغيل المولد.

### ⚠ تحذير

قد تتسبب أعمال الصيانة غير الصحيحة للمولد أو لإخفاق في إصلاح أي مشكلة قبل التشغيل في حدوث عطل وهو ما قد يؤدي إلى تعرضك لإصابة خطيرة.

قم دائمًا بإجراء الفحص السابق للتشغيل قبل كل عملية تشغيل، وقم بإصلاح أية مشكلة.

لمنع حدوث أي حريق محتمل، احتفظ بالمولد بعيدًا عن حوائط المباني والمعدات الأخرى بمقدار ١ متر على الأقل أثناء التشغيل. تجنب وضع أي مواد قابلة للاشتعال بالقرب من المحرك.

قبل أن تبدأ في إجراء الفحوصات السابقة لعملية التشغيل، تأكد من وجود المولد على سطح مستوي وأن يكون مفتاح المحرك على الوضع إيقاف OFF.

### إشعار

قد يتسبب تشغيل هذا المولد في محيط أقل من 1 متر من المبنى أو غيره من الموانع في التسخين الزائد وتلف المولد.  
لتحقيق التبريد الملائم، اترك مسافة فارغة لا تقل عن 1 متر فوق المولد وحوله.

### افحص المحرك

- قبل كل استخدام، انظر حول المحرك وأسفل منه للتأكد من عدم وجود أي علامات لتسرب الزيت أو البنزين.
- افحص مستوى الزيت (انظر صفحة ٣٥). انخفاض مستوى الزيت سيجعل نظام الإنذار بانخفاض الزيت يوقف المحرك.
- افحص مرشح الهواء (انظر صفحة ٣٩). اتساخ مرشح الهواء سيعيق جريان الهواء إلى الكاربورتر، وهو ما يقلل من أداء المحرك والمولد.
- افحص مستوى الوقود (انظر صفحة ٣٢). بدء التشغيل بخزان ممتلئ سوف يساعد على منع أو تقليل تعطيل التشغيل من أجل التزود بالوقود.

# التشغيل

## احتياطات التشغيل الآمن

قبل تشغيل المولد لأول مرة، راجع الفصل *أمان المولد* (انظر صفحة ٦) والفصل *قبل التشغيل* (انظر صفحة ١٩).

من أجل سلامتك، لا تقم بتشغيل المولد في منطقة مغلقة مثل الجراج. يحتوي عادم المولد على غاز أول أكسيد الكربون السام والذي يمكن أن يتجمع بسرعة في منطقة مغلقة ويُسبب في حدوث مرض أو وفاة.

### ⚠ تحذير

يحتوي العادم على غاز أول أكسيد الكربون السام والذي يمكن أن يتراكم في المناطق المغلقة إلى مستويات خطيرة. قد يتسبب استنشاق غاز أول أكسيد الكربون في فقدان الوعي أو الوفاة.

تجنب مطلقاً تشغيل المولد في منطقة مغلقة أو مغلقة جزئياً قد توجد بها مجموعة من الأفراد.

قبل توصيل جهاز كهربائي يعمل بالتيار المتردد AC أو سلك طاقة بالمولد:

- استخدم وصلات التمديد والأدوات والأجهزة ذات ٣ أطراف، أو الأدوات والأجهزة ثنائية العزل.
- افحص الأسلاك والمقابس، واستبدلها إذا كانت تالفة.
- تأكد من أن الجهاز يعمل بطريقة جيدة. الأجهزة أو أسلاك الطاقة التالفة قد ينشأ عنها احتمال حدوث صدمة كهربائية.
- تأكد من أن المعدل الكهربائي للأداة أو الجهاز لا يتخطى معدل طاقة المولد أو القابس المستخدم.
- قم بتشغيل المولد على مسافة ١ متر على الأقل بعيداً عن المباني والمعدات الأخرى.
- لا تقم بتشغيل المولد داخل أي بناء مغلق.
- تجنب وضع أي مواد قابلة للاشتعال بالقرب من المحرك.



## بدء تشغيل المحرك

لمنع حدوث أي حريق محتمل، احتفظ بالمولد بعيداً عن حوائط المباني والمعدات الأخرى بمقدار ١ متر على الأقل أثناء التشغيل. تجنب وضع أي مواد قابلة للاشتعال بالقرب من المحرك.

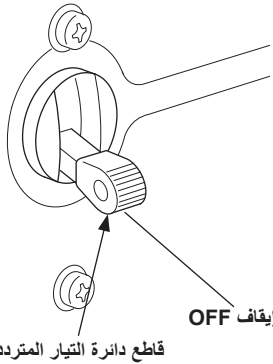
### إشعار

قد يتسبب تشغيل هذا المولد في محيط أقل من ١ متر من المبنى أو غيره من الموانع في السخونة الزائدة وتلف المولد. لتحقيق التبريد الملائم، اترك مسافة فارغة لا تقل عن ١ متر فوق المولد وحوله.

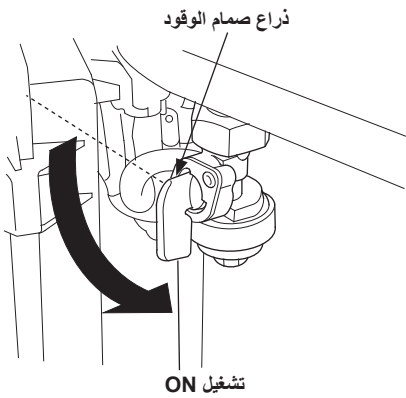
راجع احتياطات التشغيل الآمن في صفحة ٢١ وقم بأداء الفحوصات الواردة في هل المولد جاهز للتشغيل؟ (انظر صفحة ١٩). راجع تشغيل التيار المتردد AC (انظر صفحة ٢٥) لتوصيل الأحمال بالمولد.

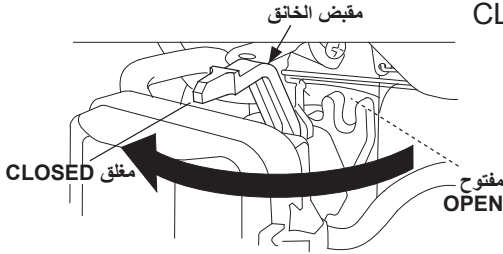
١. تأكد من أن جميع الأجهزة مفصولة عن مقبس التيار المتردد AC.

٢. تأكد من أن قاطع دائرة التيار المتردد AC على الوضع إيقاف OFF.



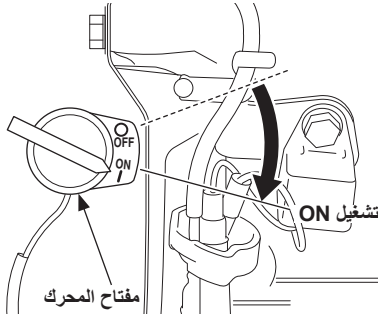
٣. أدر ذراع صمام الوقود إلى الوضع تشغيل ON.



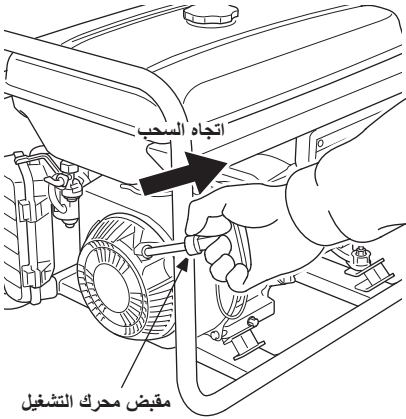


٤. حرك مقبض الخانق إلى الوضع مغلق CLOSED  
لبدء تشغيل محرك بارد.

اترك مقبض الخانق في الوضع مفتوح OPEN  
لإعادة تشغيل محرك ساخن.



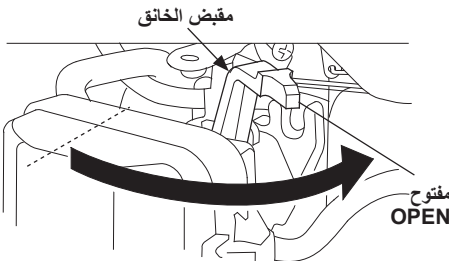
٥. أدر مفتاح المحرك إلى الوضع تشغيل ON.



٦. اسحب مقبض محرك التشغيل برفق حتى تشعر  
بالمقاومة، ثم قم بسحبه بسرعه في اتجاه الأسهم كما  
هو موضح.

## إشعار

- لا تدع مقبض محرك التشغيل يعود مرة أخرى  
بحركة ارتدادية إلى المولد. أعد محرك التشغيل  
برفق وذلك لمنع تلف محرك التشغيل.
- لا تدع سلك محرك التشغيل يحتك بهيكل  
المولد، وإلا سيتلف السلك قبل أوانه.

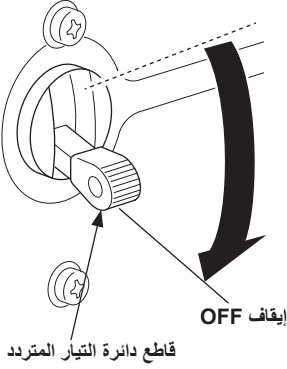


٧. إذا قمت بتحريك مقبض الخانق إلى الوضع مغلق  
CLOSED لبدء تشغيل المحرك، فقم بتحريكه  
تدريجياً إلى الوضع مفتوح OPEN بينما يسخن  
المحرك.

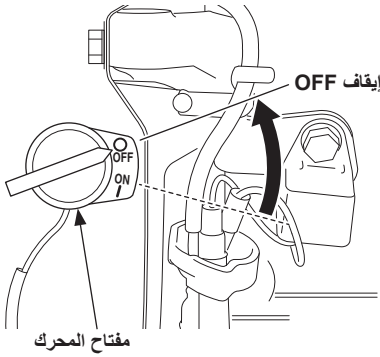
## إيقاف تشغيل المحرك

لإيقاف تشغيل المحرك في حالة الطوارئ، أدر مفتاح المحرك إلى الوضع إيقاف OFF. وفي الظروف العادية، اتبع الخطوات التالية.

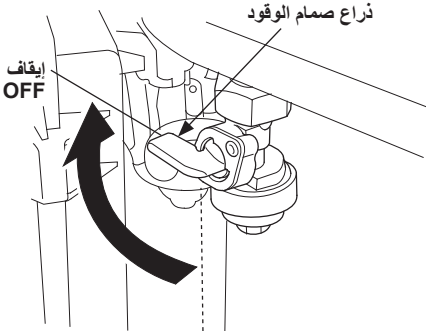
١. قم بتحريك قاطع دائرة التيار المتردد إلى الوضع إيقاف OFF.



٢. أدر مفتاح المحرك إلى الوضع إيقاف OFF.



٣. أدر ذراع صمام الوقود إلى الوضع إيقاف OFF.



## تشغيل التيار المتردد AC

إذا بدأ الجهاز في العمل بطريقة غير طبيعية، أو أصبح بطيئاً أو توقف عن العمل بطريقة مفاجئة، فقم بإيقاف تشغيله على الفور. افصل الجهاز، وحدد ما إذا كانت المشكلة في الجهاز أم في تخطي معدل سعة حمل المولد.

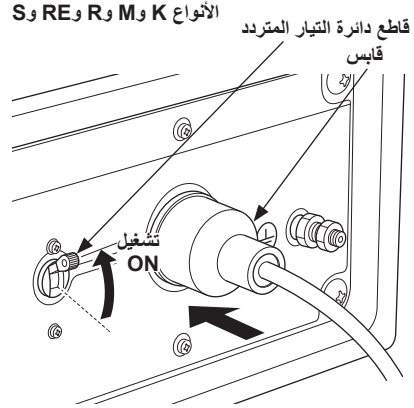
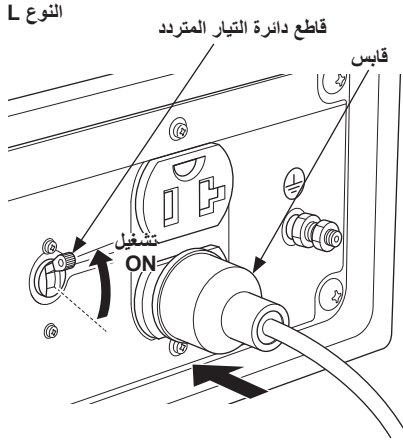
### إشعار

التحميل الزائد بشكل كبير قد يتلف المولد. والتحميل الزائد بشكل بسيط قد يقلل من عمر تشغيل المولد.

١. ابدأ تشغيل المحرك (انظر صفحة ٢٢).

٢. أدر قاطع دائرة التيار المتردد AC إلى الوضع تشغيل ON.

٣. قم بتوصيل مقيس الجهاز. تحتاج معظم الأجهزة التي تحتوي على موتور إلى قدرة أعلى لبدء تشغيلها.



## تطبيقات التيار المتردد

قبل توصيل جهاز أو سلك طاقة بالمولد:

- تأكد من أنه يعمل بطريقة جيدة. قد تتسبب الأجهزة أو أسلاك الطاقة المعيبة في احتمال حدوث صدمة كهربائية.
- إذا بدأ الجهاز في العمل بطريقة غير طبيعية، أو أصبح بطيئاً أو توقف عن العمل بطريقة مفاجئة، فقم بإيقاف تشغيله على الفور. افصل الجهاز، وحدد ما إذا كانت المشكلة في الجهاز أم في تخطي معدل سعة حمل المولد.

تحتاج معظم الأجهزة التي تحتوي على موتور إلى قدرة أعلى لبدء تشغيلها. تأكد من أن المعدل الكهربائي للأداة أو الجهاز لا يتخطى الحد الأقصى لمعدل طاقة المولد.

الحد الأقصى للطاقة:

الأنواع K و M و R و RE: ٢,٢ كيلوفولت  
النوعين L و S: ٢,٥ كيلوفولت

عند التشغيل المستمر، لا تتخطى معدل الطاقة.  
معدل الطاقة:

الأنواع K و M و R و RE: ٢,٠ كيلوفولت  
النوعين L و S: ٢,٣ كيلوفولت

في كلتا الحالتين، يجب مراعاة إجمالي متطلبات الطاقة (فولت أمبير) لجميع الأجهزة المتصلة. تقوم الجهات المصنعة للأجهزة والمعدات الكهربائية بوضع معلومات المعدلات بجوار رقم الطراز أو الرقم التسلسلي.

### إشعار

يؤدي التحميل الزائد بشكل كبير إلى فتح قاطع الدائرة. التحميل الزائد بشكل بسيط للمولد قد لا يؤدي إلى تحويل قاطع الدائرة إلى الوضع إيقاف OFF، غير أنه سيقلل من عمر تشغيل المولد.

### التوصيلات بالنظام الكهربائي لمبنى

يجب تركيب التوصيلات الخاصة بالطاقة الاحتياطية بالنظام الكهربائي لأحد المباني بواسطة فني كهربائي مؤهل. يجب أن تعزل التوصيلات بين طاقة المولد والطاقة الكهربائية، ويجب أن تكون متوافقة مع جميع القوانين والمواصفات الكهربائية المطبقة.

#### ⚠ تحذير

قد تؤدي التوصيلات غير الصحيحة للنظام الكهربائي لأحد المباني إلى تغذية التيار الكهربائي الصادر من المحرك تغذية عكسية إلى خطوط المرافق الكهربائية.

من الممكن أن تتسبب هذه التغذية العكسية في الوفاة بسبب الصدمة الكهربائية لعمال شركة المرافق أو من يلامس الخطوط الكهربائية أثناء انقطاع التيار الكهربائي، وعند استعادة قدرة المرافق الكهربائية، قد ينفجر المولد أو يحترق أو يتسبب في نشوب حريق.

اتصل بشركة المرافق أو فني كهربائي مؤهل قبل القيام بأي توصيلات كهربائية للاستشارة.

في بعض المناطق، ينص القانون على تسجيل المولدات لدى شركات المرافق المحلية. راجع اللوائح المحلية المتعلقة بالتسجيل الصحيح وإجراءات الاستخدام.

### نظام التأريض

يحتوي هذا المولد على نظام تأريض يقوم بتوصيل مكونات هيكل المولد بأطراف التأريض في مقابس إخراج التيار المتردد AC. لا يتم توصيل نظام التأريض بسلك تيار متردد AC محايد.

## متطلبات خاصة

### إشعار

لا تضع المولد على جانبه عند تحريكه أو تخزينه أو تشغيله. فقد يتسرب الزيت ويتسبب في تلف المحرك أو المنشأة الخاصة بك.

قد تكون هناك مجموعة من القوانين المعمول بها أو القوانين المحلية أو المراسيم التي تنطبق على الغرض من استخدام المولد. الرجاء استشارة فني كهربائي مؤهل، أو مفتش كهرباء، أو وكالة محلية ذات سلطة قضائية.

- في بعض المناطق، يتوجب تسجيل المولدات لدى شركات المرافق المحلية.
- إذا كان المولد يستخدم في موقع إنشاءات، فقد تكون هناك لوائح إضافية يجب الالتزام بها.

# صيانة المولد الخاص بك

## أهمية الصيانة

تعد الصيانة الجيدة أمرًا أساسيًا للحصول على عملية تشغيل آمنة واقتصادية وخالية من المشكلات. وهي تساعد أيضًا على الحد من تلوث الهواء.

لمساعدتك في العناية بالمولد الخاص بك بطريقة صحيحة، تتضمن الصفحات التالية جدولاً للصيانة الدورية، وخطوات الفحص الدوري، وخطوات الصيانة البسيطة باستخدام الأدوات اليدوية الأساسية. ويفضل القيام بمهام الصيانة الأخرى الأكثر صعوبة أو التي تتطلب أدوات خاصة، بواسطة المتخصصين، وعادة ما يقوم بها فني هوندا أو ميكانيكي آخر مؤهل.

يطبق جدول الصيانة الدورية على ظروف التشغيل العادية. في حالة تشغيل المولد الخاص بك تحت ظروف غير عادية، مثل التشغيل المستمر تحت حمل عالٍ أو التشغيل في درجة حرارة عالية، أو استخدام المولد في الظروف الترابية، فاتصل بوكيل صيانة هوندا المعتمد الخاص بك لمعرفة التوصيات الخاصة تبعًا لاحتياجاتك واستخدامك الخاص.

### ⚠ تحذير

قد تتسبب الصيانة الخاطئة أو الإخفاق في حل مشكلة ما قبل التشغيل في حدوث عطل وهو ما قد يؤدي إلى حدوث إصابة خطيرة أو الوفاة.

اتبع دائمًا توصيات الفحص والصيانة، والجداول الزمنية الواردة في دليل المالك هذا.

تذكر أن وكيل الصيانة المعتمد الخاص بك له دراية أفضل بالمولد الخاص بك، ومجهز بالكامل لصيانته وإصلاحه.

لضمان أفضل درجة من الجودة والكفاءة، لا تستخدم سوى أجزاء هوندا الأصلية الجديدة أو ما يكافئها فقط للإصلاح والاستبدال.



## أمان الصيانة

فيما يلي نورد بعض احتياطات الأمان الأكثر أهمية. ومع ذلك، لا يمكننا تحذيرك من جميع الأخطار الممكنة التي قد تظهر أثناء القيام بالصيانة. فأنت الوحيد الذي يمكنه أن يقرر ما إذا كان يجب عليك القيام بمهمة معينة أم لا.

### ⚠ تحذير

قد يؤدي الإخفاق في اتباع إرشادات الصيانة واحتياطاتها بشكل صحيح إلى حدوث إصابة خطيرة أو الوفاة.

اتبع دائماً الخطوات والاحتياطات الواردة في دليل المالك هذا.

## احتياطات الأمان

تأكد من أن المحرك متوقف عن العمل قبل البدء في إجراء أية أعمال صيانة أو إصلاح. فهذا يقضي على العديد من الأخطار المحتملة:

– التسمم بغاز أول أكسيد الكربون الموجود في عادم المحرك.  
قم بتشغيل المولد بالخارج بعيداً عن أية نوافذ أو أبواب مفتوحة.

– الحروق الناتجة عن الأجزاء الساخنة.  
اترك المحرك ونظام العادم ليبرد قبل أن تلمسهما.

– الإصابة الناتجة عن الأجزاء المتحركة.  
تجنب تشغيل المحرك إلا إذا تم توجيهك لعمل ذلك.

• اقرأ الإرشادات قبل البدء، وتأكد من أن لديك الأدوات والمهارات المطلوبة.

• لتقليل احتمالية نشوب حريق أو حدوث انفجار، كن حريصاً عند العمل بالقرب من البنزين. لا تستخدم لتنظيف الأجزاء سوى المذيبات غير القابلة للاشتعال، وليس البنزين. احتفظ بالسجائر ومصادر الشرر واللهب بعيداً عن كل الأجزاء المتعلقة بالوقود.

## جدول الصيانة الدورية

صفحة	كل سنة أو ٣٠٠ ساعة	كل ٦ شهور أو ١٠٠ ساعة	كل ٣ شهور أو ٥٠ ساعة	أول شهر أو ٢٠ ساعة	كل مرة استخدام	فترة الصيانة العادية (٣)
						يتم القيام بها كل شهر محدد أو كل فترة ساعات تشغيل محددة، أيهما أقرب.
العنصر						
٣٥					٥	افحص مستواه
٣٦		٥		٥		غيره
٣٩					٥	افحصه
٤١			٥ (١)			نظفه
٤٢		٥				نظفه
٤٣		٥				افحصه - اضبطه
٤٣	٥					استبدلها
—	٥ (٢)					افحصه - اضبطه
—		بعد كل ٥٠٠ ساعة (٢)				نظفه
—		٥ (٢)				نظفه
—		كل سنتين (استبدله إذا كان ضروريًا) (٢)				افحصه

(١) قم بصيانة المولد بشكل أكثر تكرارًا عند استخدامه في المناطق الترابية.

(٢) يجب صيانة هذه العناصر عن طريق وكيل الصيانة الخاص بك، إلا إذا كنت تمتلك الأدوات المناسبة، وكنت محترفًا ميكانيكيًا. راجع دليل متجر هوندا لمعرفة خطوات الصيانة.

(٣) للاستخدام التجاري، قم بتسجيل عدد ساعات التشغيل لتحديد فترات الصيانة المناسبة.

قد يؤدي التخلف عن تنفيذ هذه الصيانة الدورية إلى مشاكل لا يغطيها الضمان.

## الأدوات

يرفق مع المولد مفتاح ربط صندوقي ومقبض مفتاح الربط.

استخدم الأدوات المرفقة للقيام بأعمال الصيانة. قد يؤدي استخدام أدوات غير صحيحة إلى تلف المولد.

## التزود بالوقود

افحص مقياس الوقود أثناء توقف المحرك. وأعد ملء خزان الوقود إذا كان مستوى الوقود منخفضًا.

### ⚠ تحذير

- البنزين هو مادة قابلة للاشتعال والانفجار بصورة كبيرة.
- قد تصاب بحروق أو إصابات شديدة عند التعامل مع الوقود.
- أوقف المحرك، واحتفظ بمصادر الحرارة والشرر واللهب بعيدًا.
  - لا تتعامل مع الوقود إلا في العراء.
  - امسح الوقود المنسكب فورًا.

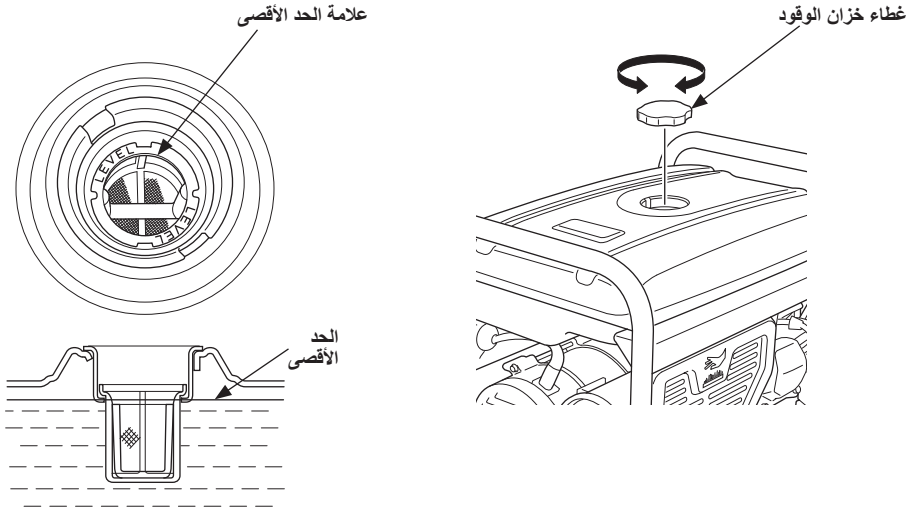
### إشعار

يمكن للوقود إتلاف الطلاء والبلاستيك. كن حريصًا ألا تسكب الوقود عند ملء خزان الوقود. الضمان لا يغطي التلف الناتج عن الوقود المسكوب.

تزود بالوقود في مكان جيد التهوية قبل بدء تشغيل المحرك. اترك المحرك ليبرد إذا كان في وضع التشغيل قبل ذلك. تزود بالوقود بحرص لتجنب انسكاب الوقود. لا تتجاوز علامة الحد المسموح به الموجودة على مصفاة الوقود عند ملء خزان الوقود.

لا تقم مطلقًا بالتزود بالوقود داخل مبنى من الممكن أن يصل فيه بخار البنزين إلى مصادر اللهب أو الشرر. احتفظ بالبنزين بعيدًا عن شعلة الغاز الدائمة، أو أماكن الشواء، أو الأجهزة الكهربائية، أو الأدوات الكهربائية، إلخ. لا يسبب الوقود المنسكب خطر الحريق فحسب، بل يتسبب بأضرار للبيئة. امسح الوقود المنسكب فورًا.

## صيانة المولد الخاص بك



بعد التزود بالوقود، أعد غطاء خزان الوقود في موضعه بإحكام.

### توصيات الوقود

استخدم بنزين السيارات غير المعالج بالرصاص والذي يحمل رقم أوكتان بحثي ٩١ أو أعلى (رقم أوكتان مضخة ٨٦ أو أعلى).

لا تستخدم مطلقاً البنزين الفاسد أو الملوث أو خليط زيت/بنزين. تجنب وصول الأوساخ أو المياه داخل خزان الوقود.

يمكنك استخدام بنزين لا يحتوي على رصاص ولا يحتوي على كمية أكثر من ١٠٪ من الإيثانول (E10) أو ٥٪ من الميثانول. بالإضافة إلى ذلك، يجب أن يحتوي الميثانول على المذيبات وموانع التآكل.

قد يتسبب استخدام الوقود الذي يحتوي على نسبة من الإيثانول أو الميثانول أكبر من تلك الموضحة بالأعلى في حدوث مشكلات في بدء التشغيل أو مشكلات في الأداء أو كليهما. فقد ينتج عن ذلك تلف الأجزاء المعدنية والمطاطية والبلاستيكية لنظام الوقود.

لا يغطي الضمان تلف المحرك أو مشكلات الأداء التي تنتج عن استخدام وقود يحتوي على نسبة من الإيثانول أو الميثانول أعلى من تلك الموضحة أعلاه.

في حالة عدم استخدام الجهاز بصفة مستمرة، الرجاء الرجوع إلى قسم الوقود في فصل التخزين (انظر صفحة ٤٥) للحصول على معلومات إضافية حول فساد الوقود.

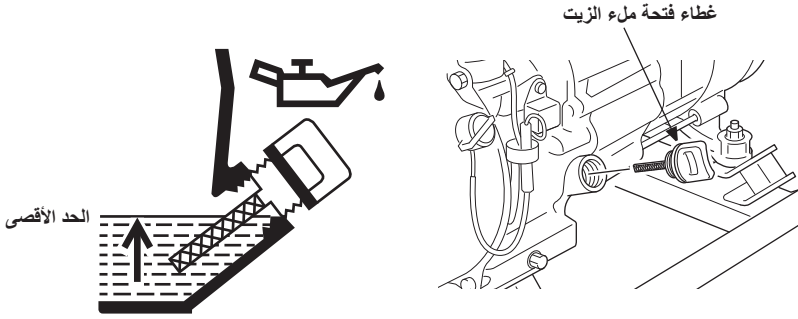
## فحص مستوى زيت المحرك

افحص مستوى زيت المحرك بينما يكون المحرك متوقف وفي موضع مستوي.

١. افتح غطاء فتحة ملء الزيت.

٢. افحص مستوى الزيت. إذا كان مستوى الزيت أقل من الحد الأقصى، قم بملء الخزان باستخدام الزيت الموصى به (انظر صفحة ٣٨) حتى تصل إلى الحد الأقصى.

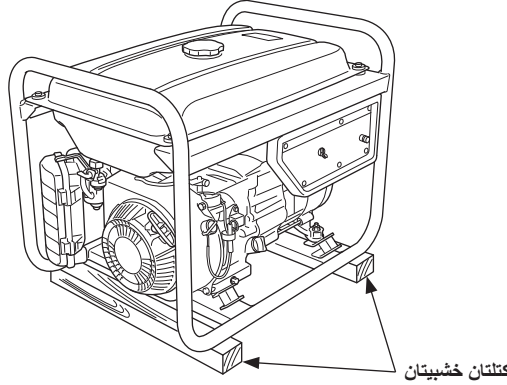
٣. أعد تركيب غطاء فتحة ملء الزيت بإحكام.



يقوم نظام الإنذار بانخفاض الزيت تلقائيًا بإيقاف المحرك قبل أن يقل مستوى الزيت عن الحدود الآمنة. ومع ذلك، فلكي تتجنب عناء توقف المحرك بشكل غير متوقع، قم بفحص مستوى الزيت بطريقة منتظمة.

### تغيير زيت المحرك

- قم بتصريف الزيت أثناء سخونة المحرك لضمان تصريف سريع وكامل.
١. ضع المولد على كتلتين خشبيتين، وتحقق من أن المولد في وضع مستوٍ وملائم.



٢. ضع وعاءً ملائمًا أسفل المحرك لالتقاط الزيت المستعمل، ثم قم بإزالة غطاء فتحة ملء الزيت، وسدادة التصريف، وصامولة منع التسرب.
٣. اترك الزيت المستعمل حتى يتم تصفيته تمامًا، ثم أعد تركيب سدادة التصريف، وصامولة منع تسرب جديدة. اربط السدادة بإحكام.

### إشعار

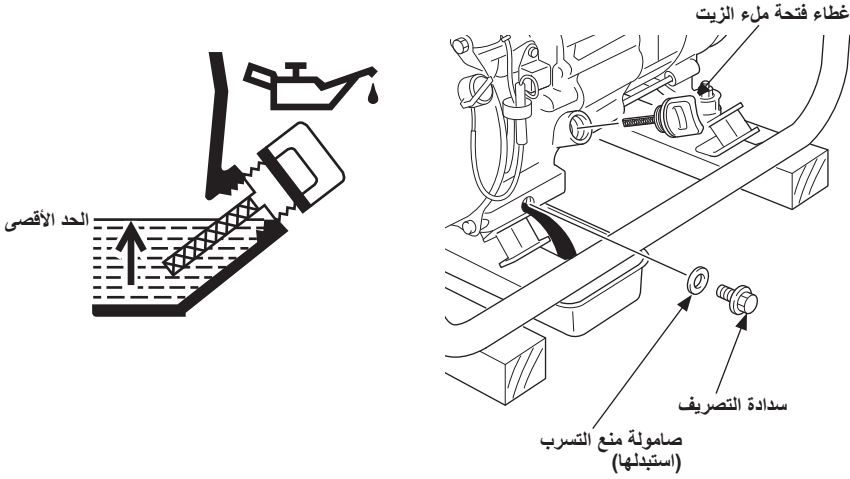
قد يؤدي التخلص غير الصحيح من زيت المحرك إلى حدوث أضرار للبيئة. إذا قمت بتغيير زيت المحرك الخاص بك، الرجاء التخلص من الزيت المستعمل بطريقة صحيحة. ضع الزيت المستعمل في وعاء محكم، وخذته إلى أحد مراكز إعادة التدوير. لا تعلق الزيت في صندوق القمامة، أو تسكبه على الأرض أو في البوابة لتصريفه.

## صيانة المولد الخاص بك

٤. مع وضع المولد على سطح مستو، قم بملء خزان الزيت بالزيت الموصى به (انظر صفحة ٣٨) من خلال الحافة الخارجية من فتحة غطاء ملء الزيت.

٥. أعد تركيب غطاء فتحة ملء الزيت بإحكام.

اغسل يديك بالصابون والماء بعد التعامل مع الزيت المستعمل.

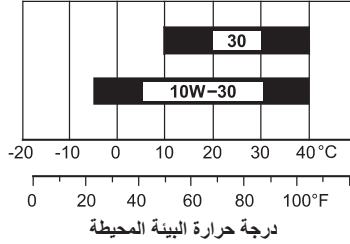




### توصيات زيت المحرك

الزيت عامل مهم يؤثر على كفاءة المحرك وعمر التشغيل. استخدم زيت تنظيف السيارات رباعي الأشواط.

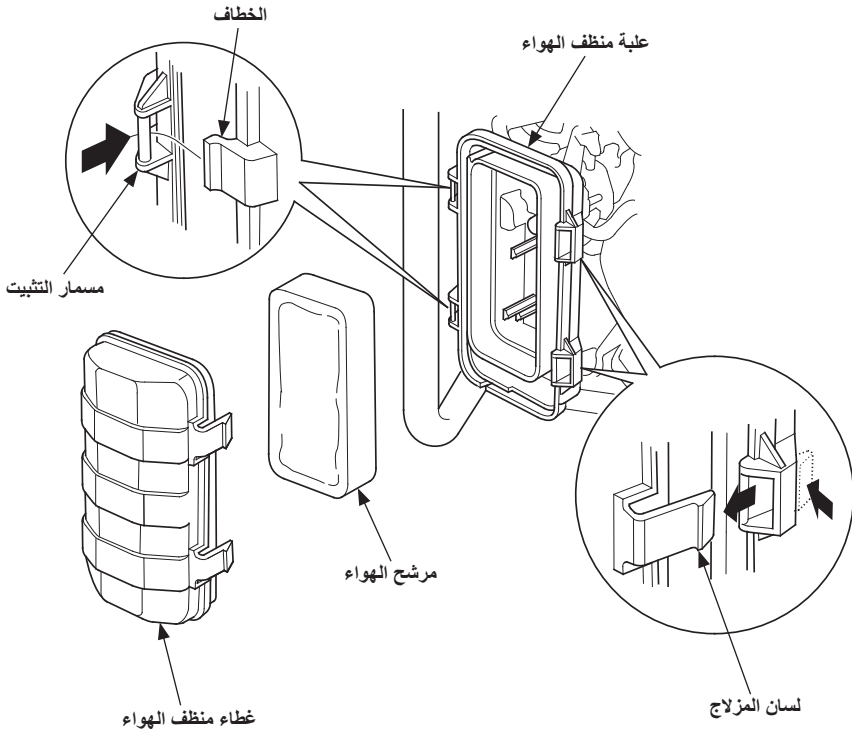
للاستخدام العام يوصى باستخدام SAE 10W—30. من الممكن استخدام درجات اللزوجة الأخرى الموضحة في الجدول عندما يكون متوسط درجة الحرارة في منطقتك ضمن المدى الموصى به.



توجد درجة لزوجة زيت SAE وفئة الخدمة على ملصق API على عبوة الزيت. توصي هوندا باستخدام زيت فئة خدمة SE أو أحدث (أو مكافئ له) من API.

## صيانة منظم الهواء

١. ادفع لسان المزلاج وافتح غطاء منظم الهواء.
٢. قم بتحريك الخطافين من مسامير التثبيت على علية منظم الهواء، وأزل غطاء منظم الهواء إلى الجانب الأيمن من أنبوب الإطار، وتوَّخ الحذر لعدم إتلاف غطاء منظم الهواء.
٣. أزل مرشح الهواء من علية منظم الهواء.
٤. افحص مرشح الهواء للتأكد من نظافته وأنه بحالة جيدة. إذا كان مرشح الهواء متسخًا، فقم بتنظيفه كما هو موضح في صفحة ٤١. استبدل مرشح الهواء في حالة تلفه.



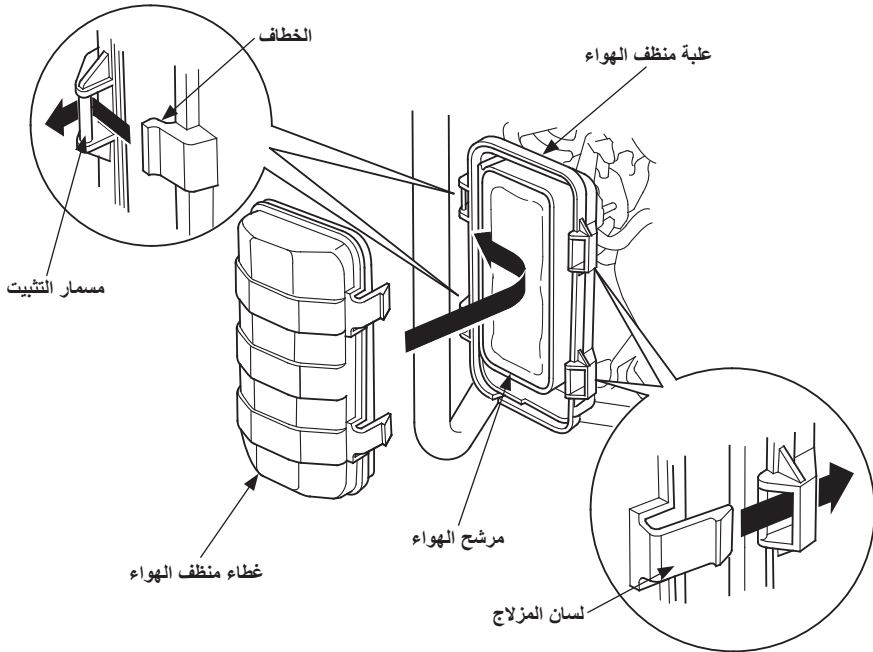
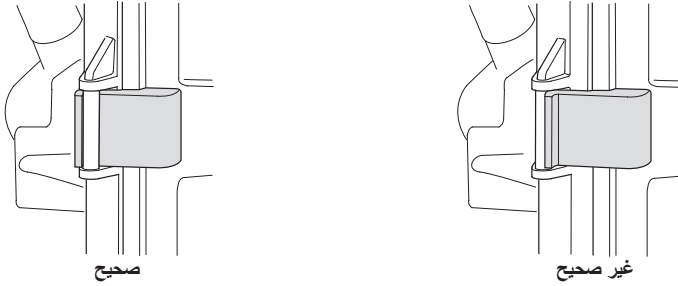
## صيانة المولد الخاص بك

٥. أعد تركيب مرشح الهواء في علبة منظم الهواء.

٦. قم بتثبيت خطافي غطاء منظم الهواء بواسطة مسامير التثبيت بإحكام، ثم ادفع غطاء منظم الهواء لإغلاق لسان المزلاج.  
تأكد من تثبيت الغطاء بإحكام. يجب عدم وجود خلوص بين غطاء منظم الهواء وعلبته.

### إشعار

تشغيل المحرك دون وجود مرشح الهواء أو مع استخدام مرشح هواء تالف سيسمح بدخول الأتربة داخل المحرك، وهو ما قد يتسبب في تآكل سريع للمحرك. لا يغطي الضمان هذا النوع من التلف.

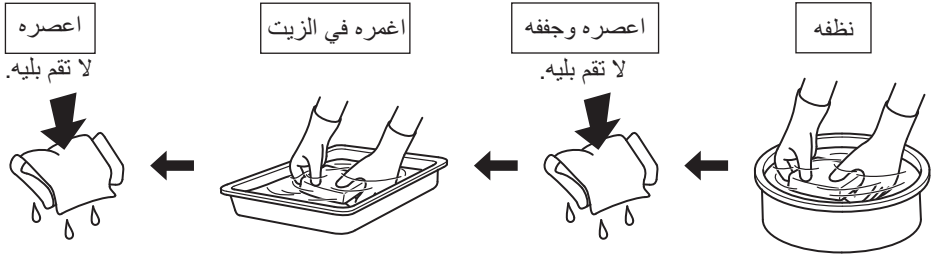


### تنظيف مرشح الهواء

اتساخ مرشح الهواء سيعيق جريان الهواء إلى الكاربورتير، وهو ما يقلل من أداء المحرك. إذا قمت بتشغيل المولد في مناطق شديدة التعرض للأتربة، فقم بتنظيف مرشح الهواء بشكل أكثر تكرارًا عن المحدد في جدول الصيانة الدورية (انظر صفحة ٣١).

١. قم بتنظيف مرشح الهواء بماء دافئ وصابون، واشطفه، واتركه حتى يجف تمامًا؛ أو قم بتنظيفه في مذياب غير قابل للاشتعال واتركه حتى يجف.

٢. اغمس مرشح الهواء في زيت محرك نظيف، ثم اعصره لإخراج كل الزيت الزائد. سيخرج دخان من المحرك عند بدء تشغيله في حالة وجود مقدار كبير جدًا من الزيت في مرشح الهواء.



٣. امسح الأوساخ من علبة منظم الهواء وغطائه باستخدام خرقة رطبة. كن حريصًا على أن تمنع الأوساخ من دخول أنبوب الهواء المؤدي إلى الكاربورتير.

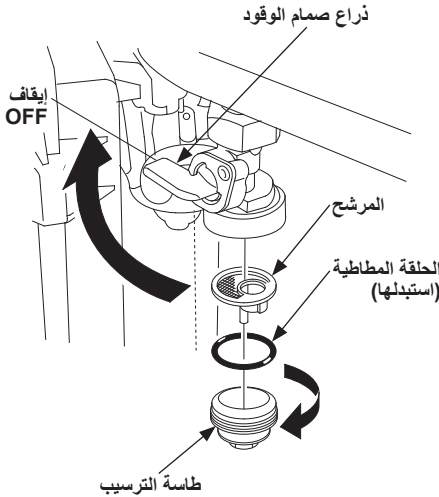
## تنظيف طاسة الترسيب

تمنع طاسة الترسيب الأوساخ أو المياه الموجودة في خزان الوقود من الدخول إلى الكربورتيير. ينبغي تنظيف طاسة الترسيب وذلك إذا ظل المحرك لفترة طويلة دون تشغيل.

١. أدر ذراع صمام الوقود إلى الوضع إيقاف OFF، ثم أزل طاسة الترسيب والحلقة المطاطية، والمرشح. تخلص من الحلقة المطاطية.

### ⚠ تحذير

- البنزين هو مادة قابلة للاشتعال والانفجار بصورة كبيرة. قد تصاب بحروق أو إصابات شديدة عند التعامل مع الوقود.
- أوقف المحرك، واحتفظ بمصادر الحرارة والشرر واللهب بعيداً.
  - لا تتعامل مع الوقود إلا في العراء.
  - امسح الوقود المنسكب فوراً.



٢. قم بتنظيف طاسة الترسيب والمرشح في مذيب غير قابل للاشتعال أو يشتعل عند درجة حرارة مرتفعة، ثم جففهما تماماً.

٣. أعد تركيب المرشح والحلقة المطاطية الجديدة وطاسة الترسيب، وأحكم ربط طاسة الترسيب.

٤. أدر ذراع صمام الوقود إلى الوضع تشغيل ON، وتحقق من عدم وجود تسريبات.

## صيانة شمعة الإشعال

شمعات الاحتراق الموصى بها: (NGK) BPR6ES  
(DENSO) W20EPR-U

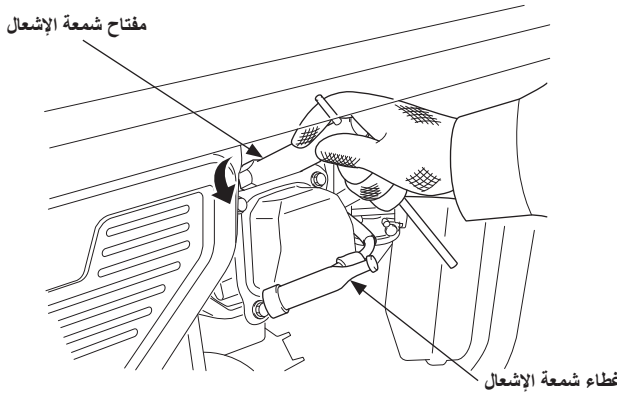
### إشعال

قد يتسبب استخدام شمعة إشعال غير صحيحة في تلف المحرك.

إذا كان المحرك ساخنًا، فاتركه يبرد قبل صيانة شمعة الإشعال.

١. افصل غطاء شمعة الإشعال، وأزل أي أوساخ حول منطقة شمعة الإشعال.

٢. أزل شمعة الإشعال باستخدام مفتاح شمعة الإشعال.

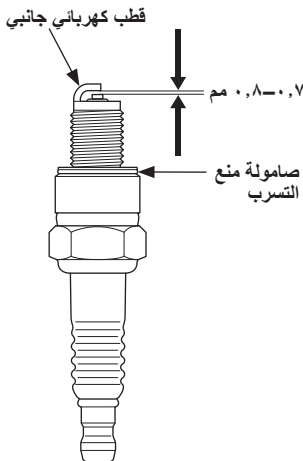


٣. افحص شمعة الإشعال. استبدلها إذا كانت الأقطاب الكهربائية بالية، أو إذا كان العازل مشقوقًا أو مكسورًا أو تالفًا.

٤. قم بقياس خلوص قطب شمعة الإشعال باستخدام مقياس كاشف من النوع السلبي. قم بضبط الخلوص، عند الضرورة، وذلك بنثي القطب الجانبي بحرص.

يجب أن يكون الخلوص:

٠,٧-٠,٨ مم



٥. تأكد أن صامولة منع تسرب شمعة الإشعال في حالة جيدة، واربط شمعة الإشعال بيدك لمنع التركيب الخاطيء.

٦. بعد ضبط شمعة الإشعال في موضعها، قم بربطها بواسطة مفتاح شمعة الإشعال لضغط الحلقة.

في حالة إعادة تركيب شمعة إشعال مستعملة، فأحكم ربط  $1/8$  —  $1/4$  دورة بعد أن يتم تثبيت شمعة الإشعال.

في حالة تركيب شمعة إشعال جديدة، فأحكم ربط  $1/2$  دورة بعد أن يتم تثبيت شمعة الإشعال.

### إشعار

إذا كانت شمعة الاحتراق غير محكمة التركيب، فمن الممكن أن تسخن بشكل زائد وتتلف المحرك. السخونة الزائدة لشمعة الإشعال قد تؤدي إلى إتلاف نظام رأس الأسطوانة.

٧. قم بتركيب غطاء شمعة الإشعال.

# التخزين

## الإعداد للتحزين

إن الإعداد الجيد للتحزين ضروري للاحتفاظ بالمولد خاليًا من أية مشكلات وبمظهر جيد. تساعدك الخطوات التالية على منع الصدأ والتآكل من إتلاف وظائف ومظهر المولد الخاص بك، وستجعل من السهل بدء تشغيل المحرك عند استخدام المولد مرة أخرى.

## التنظيف

امسح المولد بقطعة قماش رطبة. بعد أن يجف المولد، قم بطلاء أي دهان تالف، وقم بتغطية المناطق الأخرى القابلة للصدأ بطبقة رقيقة من الزيت.

## الوقود

### إشعار

وفقًا للمنطقة التي تقوم فيها بتشغيل الجهاز، فقد تتأكسد تركيبات الوقود وتفسد سريعًا. قد يحدث فساد الوقود وتأكسده في مدة أقل من ٣٠ يومًا، وقد يسبب ذلك تلفًا للكاربورتير أو نظام الوقود أو كليهما. الرجاء مراجعة وكيل الصيانة المعتمد الخاص بك للحصول على توصيات التخزين المحلية.

يتأكسد البنزين ويفسد أثناء التخزين. يتسبب البنزين القديم في صعوبة بدء التشغيل، ويترك رواسب صمغية قد تتسبب في انسداد نظام الوقود. إذا فسد البنزين في المولد الخاص بك أثناء التخزين، فقد تحتاج إلى صيانة الكاربورتير وغيره من مكونات نظام الوقود الأخرى أو استبدالها.

تختلف مدة الوقت الذي يمكن خلالها ترك البنزين في خزان الوقود والكاربورتير دون التسبب في حدوث مشكلات وظيفية مع عوامل منها خلط البنزين، ودرجات حرارة التخزين، وحالة الخزان سواء كان ممتلئًا تمامًا أم جزئيًا. يتسبب الهواء الموجود في خزان الوقود الممتلئ جزئيًا في فساد الوقود. تعمل درجات حرارة التخزين الساخنة جدًا على تسريع فساد الوقود. قد تظهر مشكلات فساد الوقود بعد ٣٠ يومًا من الاحتفاظ بالوقود في خزان الوقود، أو في فترة أقل من ذلك وذلك إذا لم يكن البنزين جديدًا عند ملء خزان الوقود. لا يعطي الضمان تلف نظام الوقود أو مشكلات أداء المحرك الناتجة عن التقصير في الإعداد للتحزين.



١. تفريغ خزان الوقود والكاربورتير.

### ⚠ تحذير

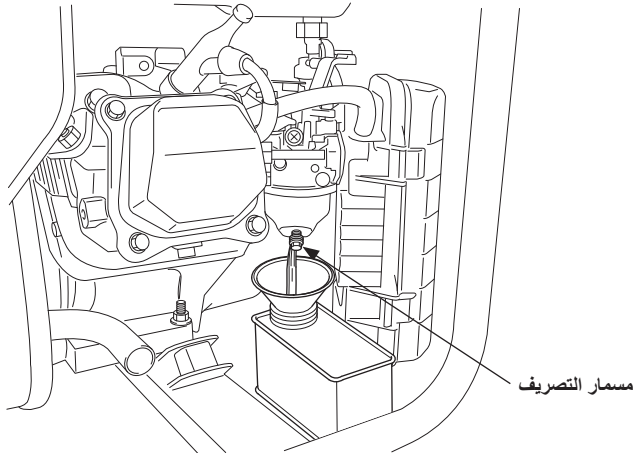
البنزين هو مادة قابلة للاشتعال والانفجار بصورة كبيرة.

قد تصاب بحروق أو إصابات شديدة عند التعامل مع الوقود.

- أوقف المحرك، واحتفظ بمصادر الحرارة والشرر واللهب بعيداً.
- لا تتعامل مع الوقود إلا في العراء.
- امسح الوقود المنسكب فوراً.

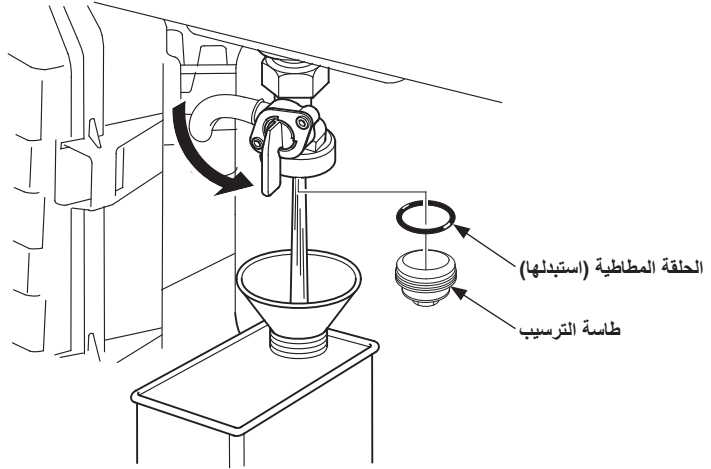
أ. ضع وعاء بنزين ملائم أسفل الكاربورتير، واستخدم قمع لتجنب انسكاب الوقود.

ب. أدر ذراع صمام الوقود إلى الوضع إيقاف OFF، وقم بفك مسمار تصريف الكاربورتير عن طريق تدويره مرة أو مرتين عكس عقارب الساعة، ثم قم بتصريف الوقود من الكاربورتير.



ج. ضع وعاء بنزين ملائماً أسفل طاسة الترسيب، واستخدم قمعاً لتجنب انسكاب الوقود.

د. أزل طاسة الترسيب، ثم أدر ذراع صمام الوقود إلى الوضع تشغيل ON وقم بتصريف الوقود من خزان الوقود.



هـ. بعد تصريف جميع الوقود في الوعاء، أحكم ربط مسمار التصريف.

و. أعد تركيب الحلقة المطاطية الجديدة وطاسة الترسيب، وأحكم ربطها.

ز. أدر ذراع صمام الوقود إلى الوضع إيقاف OFF.

٢. قم بتغيير زيت المحرك (انظر صفحة ٣٦).

٣. أزل شمعة الإشعال (انظر صفحة ٤٣).

٤. اسكب مقدار ملعقة صغيرة (٥ سم<sup>٣</sup>) من زيت المحرك النظيف في الأسطوانة.

٥. اسحب مقبض محرك التشغيل عدة مرات لتوزيع الزيت داخل الأسطوانة.

٦. أعد تركيب شمعة الإشعال.

٧. اسحب مقبض محرك التشغيل ببطء إلى أن تشعر بالمقاومة. في تلك اللحظة، يأتي المكبس في شوط الانضغاط الخاص به، ويتم غلق صمامي السحب والعامد. يساعد تخزين المحرك في هذا الموضع على حمايته من التآكل الداخلي. أعد مقبض محرك التشغيل إلى موضعه برفق.

## احتياطات التخزين

إذا كنت ستقوم بتخزين المولد الخاص بك مع وجود البنزين في خزان الوقود والكاربوترير، فمن المهم تقليل أخطار اشتعال بخار البنزين.

اختر منطقة تخزين جيدة التهوية وبعيدة عن أي جهاز يصدر لهبًا، مثل فرن أو سخان المياه أو مجفف الملابس. تجنب أيضًا التخزين في أية منطقة بها موتور كهربائي يصدر الشرر، أو أية منطقة تستخدم فيها أدوات كهربائية.

وإن كان ذلك ممكنًا، فتجنب أيضًا التخزين في مناطق عالية الرطوبة لأن ذلك يساعد على الصدأ والتآكل.

اترك ذراع صمام الوقود في الوضع إيقاف OFF (انظر صفحة ٢٤) لتقليل احتمالية التسرب، إلا إذا تم تفريغ الوقود بالكامل من خزان الوقود.

ضع المولد على سطح مستوٍ. قد تتسبب إمالة المولد في تسرب الوقود أو الزيت.

عندما يبرد المحرك ونظام العادم، قم بتغطية المولد لحفظه من الأتربة. وإذا كان المحرك ونظام العادم ساخنين، فمن الممكن أن يتسبب في اشتعال بعض المواد أو انصهارها.

تجنب استخدام الأغشية البلاستيكية كواق من الأتربة. الأغشية غير المسامية تحبس الرطوبة حول المحرك، مما يساعد على التآكل وتكون الصدأ.

## إخراج المولد من التخزين

افحص المولد الخاص بك كما هو موضح في الفصل "قبل التشغيل" في هذا الدليل (انظر صفحة ١٩).

إذا كان قد تم تفريغ الوقود أثناء عملية الإعداد للتخزين، فاملأ الخزان ببنزين جديد. إذا كنت تحتفظ بحاوية بنزين من أجل التزود بالوقود، فتأكد من أن الحاوية لا تحتوي إلا على بنزين جديد فقط. البنزين المتأكسد والفاقد بسبب مرور الوقت سيتسبب في صعوبة بدء التشغيل.

إذا كان قد تم تغطية الأسطوانة أثناء مرحلة الإعداد للتخزين، فقد يصدر المحرك قليلًا من الدخان عند بدء التشغيل. وهذا أمر طبيعي.

١. تأكد من أن مفتاح المحرك وصمام الوقود على الوضع إيقاف OFF (انظر صفحة ٢٤).
٢. قم بتفريغ جميع البنزين من خزان الوقود والكاربوترير (انظر صفحة ٤٦).

### ⚠ تحذير

- البنزين هو مادة قابلة للاشتعال والانفجار بصورة كبيرة.
- قد تصاب بحروق أو إصابات شديدة عند التعامل مع الوقود.
- أوقف المحرك، واحتفظ بمصادر الحرارة والشرر واللهب بعيدًا.
  - لا تتعامل مع الوقود إلا في العراء.
  - امسح الوقود المنسكب فورًا.

## عند نقل المولد

إذا كان المحرك في وضع التشغيل قبل النقل مباشرة، فاترك المحرك حتى يبرد قبل تحميل المحرك على عربة النقل.

من الممكن أن يتسبب المحرك ونظام العادم الساخنين في إصابتك بحروق أو في اشتعال بعض المواد.

لا تقم بتحميل المولد على عربة النقل لنقله مع امتلائه بالوقود. فقد يتسرب الوقود بفعل الاهتزاز الناتج عن عملية النقل.

عند نقل المولد، أدر مفتاح المحرك وذراع صمام الوقود إلى الوضع إيقاف OFF، وذلك مع الاحتفاظ باستواء المولد لتقليل احتمالية تسرب الوقود.

تجنب وضع المولد في مكان عرضة لأشعة الشمس المباشرة عند وضعه على العربة. إذا تُرك المولد بداخل عربة مغلقة لعدة ساعات، فقد تتسبب درجة الحرارة المرتفعة داخل العربة في تبخر الوقود وهو ما ينتج عنه احتمالية الانفجار.

لا تقم بقيادة عربة النقل في طريق وعر لفترة طويلة أثناء فترة تحميل المولد عليها.

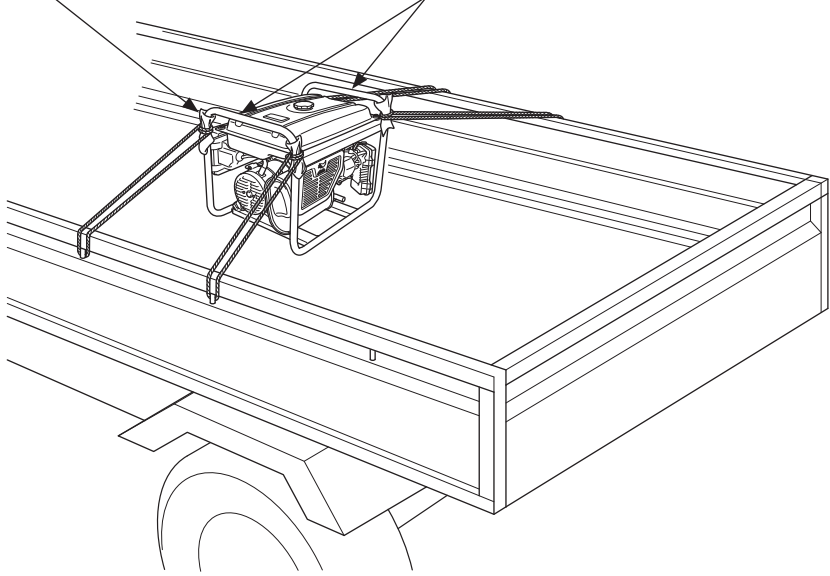
## نقل المولد بواسطة شاحنة

قم بتحميل المولد في موضع لن يسقط منه أو ينقلب أو يتسبب في تلفه؛ وقم بربطه باستخدام الحبال أو لصقه بواسطة الشرائط اللاصقة.

عند استخدام الحبال أو الشرائط اللاصقة لإحكام تثبيت المولد لنقله، لا تستخدم سوى القضبان الهيكلية كنقاط ربط، مع حماية تلك القضبان باستخدام قطع قماش وقائية أو ما يماثلها. لا تقم بتثبيت الحبال أو الشرائط اللاصقة بأي جزء آخر من هيكل المولد.

قطع قماش وقائية أو ما يماثلها

القضبان الهيكلية



## العناية بالمشكلات غير المتوقعة

المحرك لا يبدأ التشغيل

السبب المحتمل	التصحيح
ذراع صمام الوقود في الوضع إيقاف OFF.	أدر الصمام إلى وضع تشغيل ON (انظر صفحة ١٤).
الخانق في الوضع مفتوح OPEN.	حركه إلى الوضع مغلق CLOSED إلا إذا كان المحرك ساخناً (انظر صفحة ١٤).
مفتاح المحرك على الوضع إيقاف OFF.	أدر مفتاح المحرك إلى الوضع تشغيل ON (انظر صفحة ١٥).
الوقود قد نفذ.	التزود بالوقود (انظر صفحة ٣٢).
الوقود فاسد؛ تم تخزين المولد بدون تفريغ البنزين، أو تم التزود ببنزين فاسد.	تفريغ خزان الوقود والكاربوترير (انظر صفحة ٤٦). التزود ببنزين جديد (انظر صفحة ٣٢).
انخفاض مستوى الزيت تسبب في إيقاف المحرك بواسطة نظام الإنذار بانخفاض الزيت.	أضف زيتاً (انظر صفحة ٣٥). أدر مفتاح المحرك إلى الوضع إيقاف OFF وأعد بدء تشغيل المحرك.
شمعة الإشعال معطوبة أو تالفة أو ذات خلوص غير مناسب.	اضبط الخلوص أو استبدل شمعة الإشعال (انظر صفحة ٤٣).
شمعة الإشعال مبتلة بالوقود (المحرك مغمور بالوقود).	جفف شمعة الإشعال وأعد تركيبها.
مرشح الوقود مسدود، أو عطل في الكاربوترير، أو عطل في وظيفة الإشعال، أو الصمامات لا تتحرك، إلخ.	خذ المولد إلى وكيل الصيانة الخاص بك، أو راجع دليل المحل.

المحرك ليس به طاقة

السبب المحتمل	التصحيح
مرشح الهواء مسدود.	نظف مرشح الهواء أو استبدله (انظر صفحة ٣٩ حتى ٤١).
الوقود فاسد؛ تم تخزين المولد بدون تفريغ البنزين، أو تم التزود ببنزين فاسد.	تفريغ خزان الوقود والكاربوترير (انظر صفحة ٤٦). التزود ببنزين جديد (انظر صفحة ٣٢).
مرشح الوقود مسدود، أو عطل في الكاربوترير، أو عطل في وظيفة الإشعال، أو الصمامات لا تتحرك، إلخ.	خذ المولد إلى وكيل الصيانة الخاص بك، أو راجع دليل المحل.

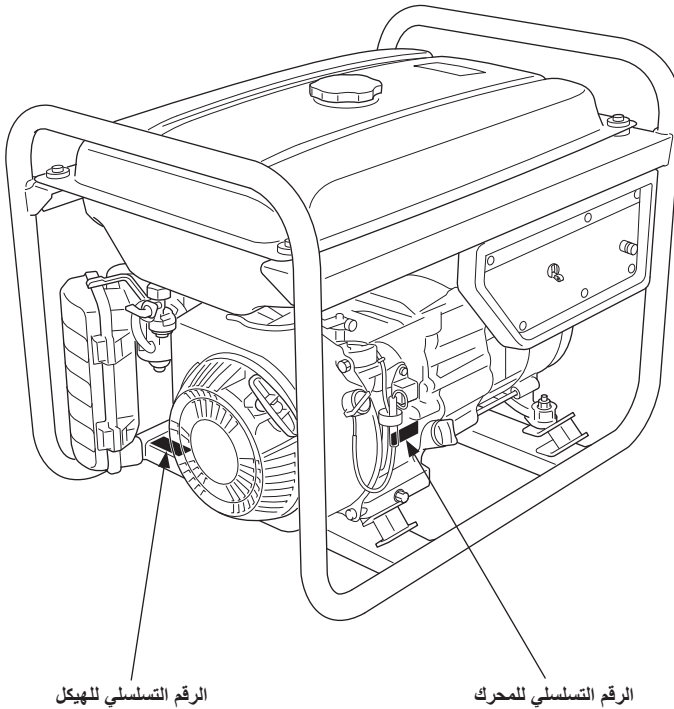
## العناية بالمشكلات غير المتوقعة

لا توجد طاقة في مقبس التيار المتردد AC

السبب المحتمل	التصحيح
قاطع الدائرة الكهربائية على الوضع إيقاف OFF بعد بدء التشغيل.	أدر مفتاح قاطع الدائرة الكهربائية إلى الوضع تشغيل ON (انظر صفحة ٢٥).
الأداة الكهربائية أو الجهاز به عطل.	استبدل الأداة الكهربائية أو الجهاز أو قم بإصلاحه. أوقف المحرك وأعد بدء تشغيله.
المولد به عطل.	خذ المولد إلى وكيل الصيانة الخاص بك، أو راجع دليل المحل.

# المعلومات الفنية

موضع الرقم التسلسلي



سجل الأرقام التسلسلية وتاريخ شراء المحرك والهيكل في المساحات المخصصة أدناه. سوف تحتاج إلى هذا الرقم التسلسلي عند طلب شراء أجزاء، وعند التقدم بأية استفسارات فنية أو استفسارات تتعلق بالضمان.

الرقم التسلسلي للمحرك: \_\_\_\_\_

الرقم التسلسلي للهيكل: \_\_\_\_\_

تاريخ الشراء: \_\_\_\_\_



### تعديل الكاربورتير للتشغيل على الارتفاعات العالية

عند الارتفاعات العالية، يكون خليط الوقود والهواء الصادر من الكاربورتير القياسي غنيًا بالوقود بشكل زائد. سيقبل مستوى الأداء، ويزيد مستوى استهلاك الوقود. سيؤثر الخليط الغني جدًا بالوقود على عمل شمعة الإشعال ويتسبب في صعوبة بدء التشغيل. التشغيل على ارتفاع مختلف عن الارتفاع المعتمد فيه تشغيل المحرك لفترات زمنية طويلة قد يزيد من الانبعاثات.

يمكن تحسين كفاءة التشغيل على الارتفاعات العالية بإجراء تعديلات محددة على الكاربورتير. إذا كنت تقوم دائمًا بتشغيل المولد الخاص بك على ارتفاعات أعلى من ١٥٠٠ متر، فاطلب من وكيل هوندا للصيانة المعتمد الخاص بك أن يقوم بإجراء هذا التعديل في الكاربورتير.

حتى مع تعديل الكاربورتير، ستقل قدرة المحرك بالحصان بنسبة ٣,٥٪ تقريبًا لكل زيادة ٣٠٠ متر في الارتفاع. وسيكون تأثير الارتفاع على قدرة المحرك بالحصان أكبر من ذلك إذا لم يتم تعديل الكاربورتير.

#### إشعار

عندما يتم استخدام الكاربورتير المعدل للتشغيل على ارتفاع عالٍ، فإن خليط الهواء/الوقود سيكون قليل الوقود وبالتالي غير مناسب للاستخدام على ارتفاع منخفض. قد يتسبب التشغيل على ارتفاع أقل من ١٥٠٠ متر مع وجود كاربورتير معدل في سخونة زائدة للمحرك مما ينتج عنه تلف شديد للمحرك. للاستخدام على ارتفاعات منخفضة، اطلب من وكيل الصيانة المعتمد الخاص بك أن يعيد الكاربورتير إلى مواصفات المصنع الأصلية.

## المواصفات الأبعاد

ER2500CX	الطرز
ECCC	كود الوصف
٥٩١ مم	الطول
٤٣٢ مم	العرض
٤٦٢ مم	الارتفاع
٤٠,٠ كجم	الوزن الجاف

## المحرك

GP160	الطرز
رباعي الأشواط، صمام علوي، أحادي الأسطوانة	نوع المحرك
١٦٣ سم <sup>٣</sup>	الإزاحة
٦٨,٠ × ٤٥,٠ مم	ثقب × شوط
هواء مضغوط	نظام التبريد
الإشعال المغناطيسي الترانزستوري	نظام الإشعال
٠,٥٨ لتر	سعة الزيت
١٤,٥ لتر	سعة خزان الوقود
BPR6ES (NGK), W20EPR-U (DENSO)	شمعة الإشعال

## المولد

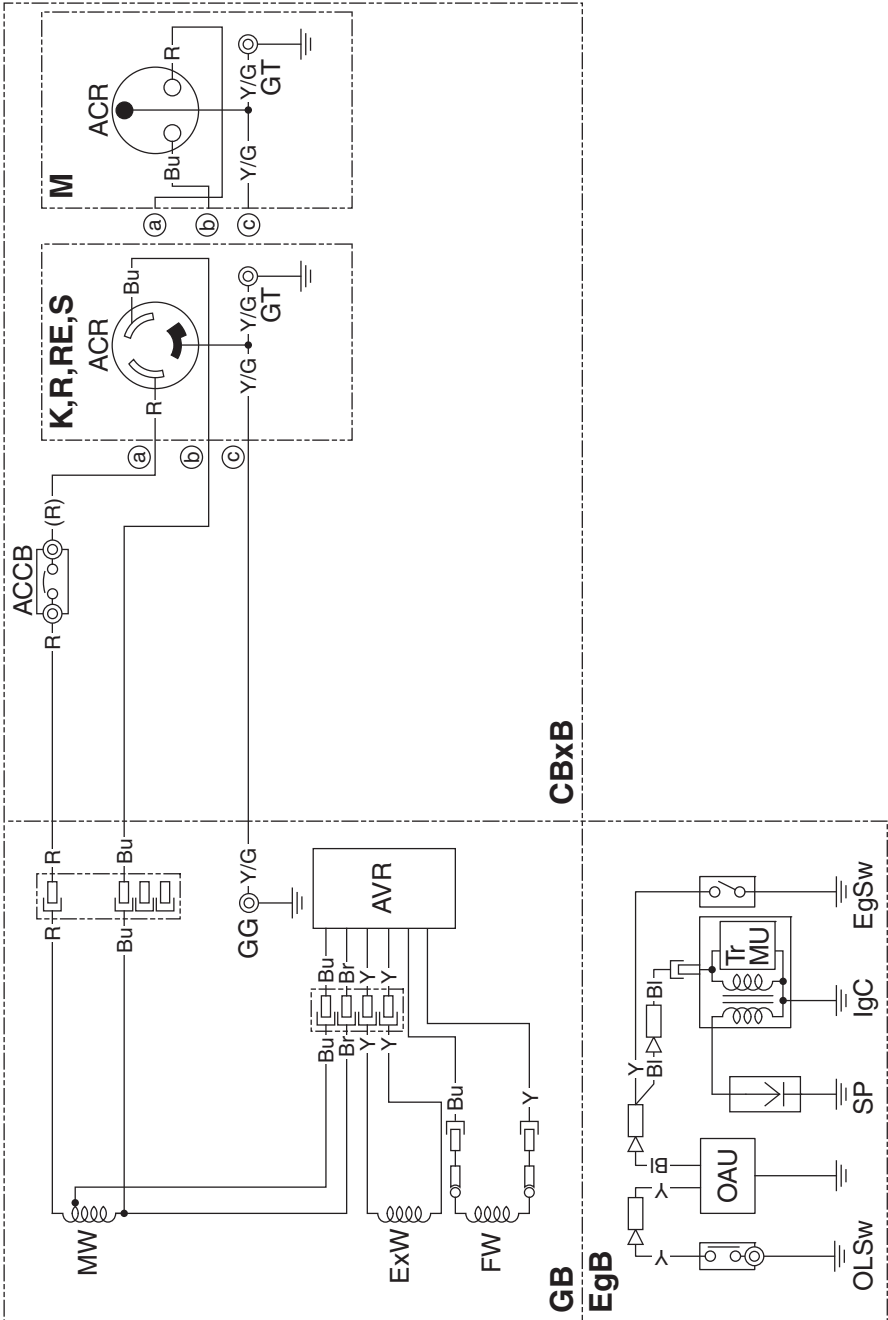
ER2500CX						الطرز
S	L	RE	R	M	K	النوع
٢٢٠ فولت	١٢٠ فولت	٢٢٠ فولت			٢٣٠ فولت	معدل الفولت
٦٠ هرتز		٥٠ هرتز				معدل التردد
١٠,٥ أمبير	١٩,٢ أمبير	٩,١ أمبير		٨,٧ أمبير		خرج التيار AC المتردد
٢,٣ كيلو فولت أمبير		٢,٠ كيلو فولت أمبير				معدل الخرج
٢,٥ كيلو فولت أمبير		٢,٢ كيلو فولت أمبير				الخرج الأقصى
40 C° - 5 C°						نطاق درجة حرارة التشغيل

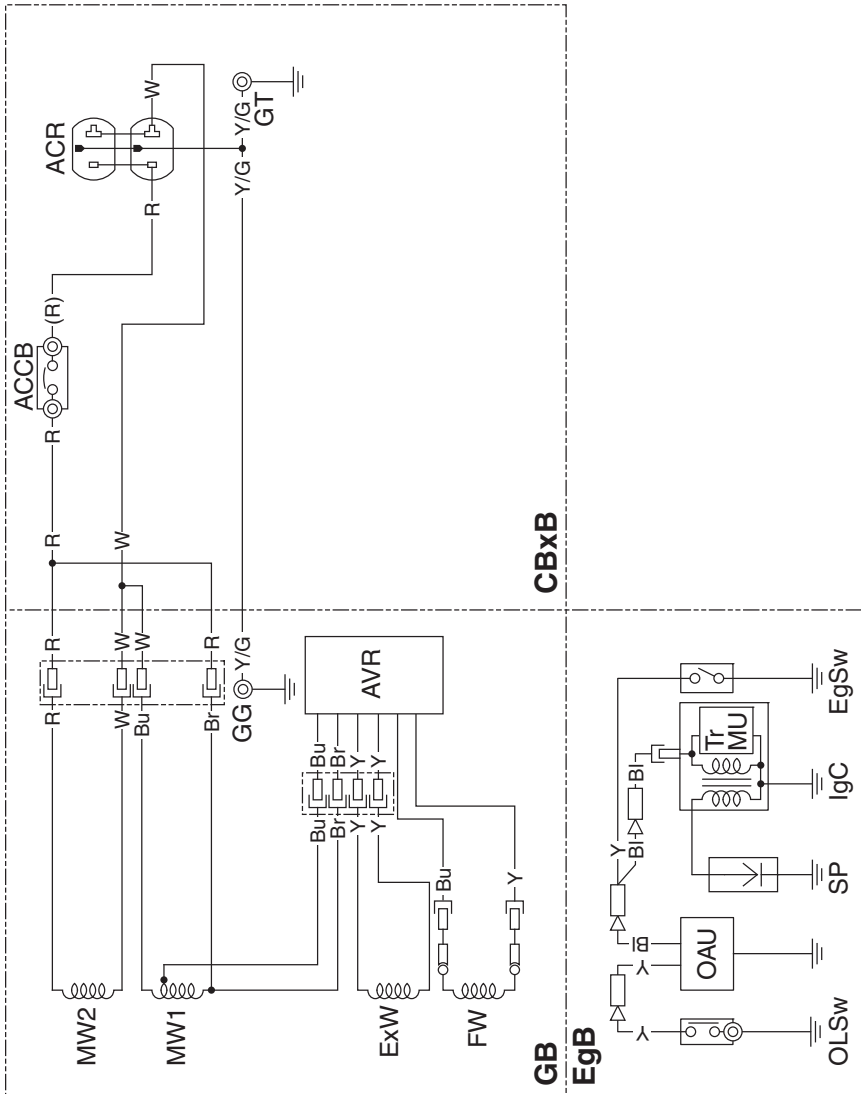
قد تختلف المواصفات وفقاً للنوع، وهو الأمر الذي يخضع للتغيير دون إشعار.

## مخطط توزيع الأسلاك

لون السلك	
أسود	Bl
بني	Br
أخضر	G
أزرق	Bu
برتقالي	O
أحمر	R
أبيض	W
أصفر	Y

اسم الجزء	
قاطع دائرة التيار المتردد AC	ACCB
مقبس التيار المتردد AC	ACR
منظم الفولت التلقائي	AVR
علبة صندوق التحكم	CBxB
كتلة المحرك	EgB
مفتاح المحرك	EgSw
ملف المحرك	ExW
ملف المجال	FW
كتلة المولد	GB
تأريض المولد	GG
طرف تأريض	GT
ملف الإشعال	IgC
الملف الرئيسي	MW
وحدة الإنذار بانخفاض الزيت	OAU
مفتاح مستوى الزيت	OLSw
شمعة الإشعال	SP
وحدة الإشعال المغناطيسي الترانزستوري	TrMU





# HONDA

4MZ41601  
00X4M-Z41-6011

© Honda Motor Co., Ltd. 2018  
英 西 アラ FM  
Printed in China