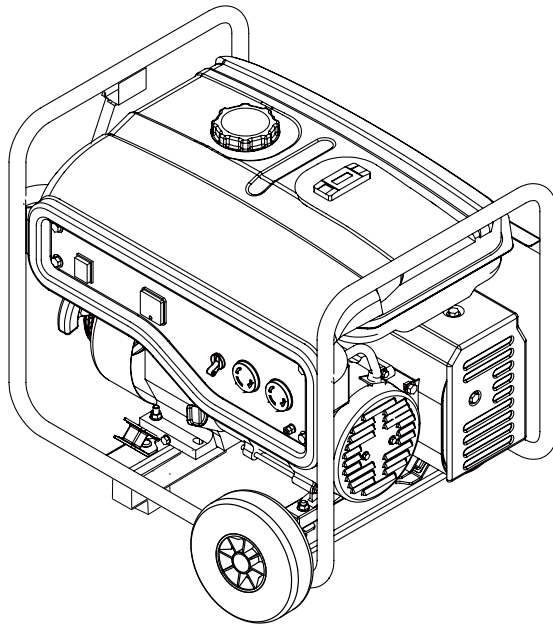


**HONDA**

**GENERATOR**

**OWNER'S MANUAL**

**EZ3000CX**



## Dear Customer:

We carefully manufactured to give you a dependable operation.

However, similar to all mechanical products, your machine will occasionally require adjustments and maintenance. This manual should be read carefully before operating or performing any adjustments on your machine. Please contact Honda dealer if technical assistance is required.

Please be advised that unit was designed / manufactured for specific applications. So please do not modify and use the unit for any application other than which it was designed for. If you have any questions regarding any applications, please ask Honda dealer before using.


**Please read an Owner's manual before use.**


## Safety Messages


Your safety and the safety of others are very important. We have provided important safety messages in this manual and on the generator. Please read these messages carefully.

Safety message alerts you to potential hazards that could hurt you or others. Each safety message is preceded by a safety alert symbol and one of three words; **DANGER**, **WARNING**, or **CAUTION**.

These words mean:

 **DANGER** You will be killed or seriously hurt if you don't follow instructions.


 **WARNING** You can be killed or seriously hurt if you don't follow instructions.

 **CAUTION** You can be hurt if you don't follow instructions.

Each message tells you what the hazard is, what can happen, and what you can do to avoid or reduce injury.

## NOTICE

This word means:

 **NOTICE** Your generator or other property could be damaged if you don't follow instructions.

The purpose of these messages is to help prevent damage to your generator, other property, or the environment.

# Table of Contents

1. SAFETY LABEL LOCATION .....	3
2. IMPORTANT SAFETY INFORMATION .....	5
3. COMPONENTS .....	7
4. CONTROLS .....	11
5. BEFORE STARTING ENGINE .....	14
6. OPERATION .....	15
7. STOPPING ENGINE .....	17
8. MAINTENANCE .....	18
9. TRANSPORTING AND STORAGE .....	24
10. WATTAGE INFORMATION .....	26
11. TROUBLE SHOOTING .....	27
12. SPECIFICATION .....	29
13. WIRING DIAGRAM .....	30

## APPENDIX

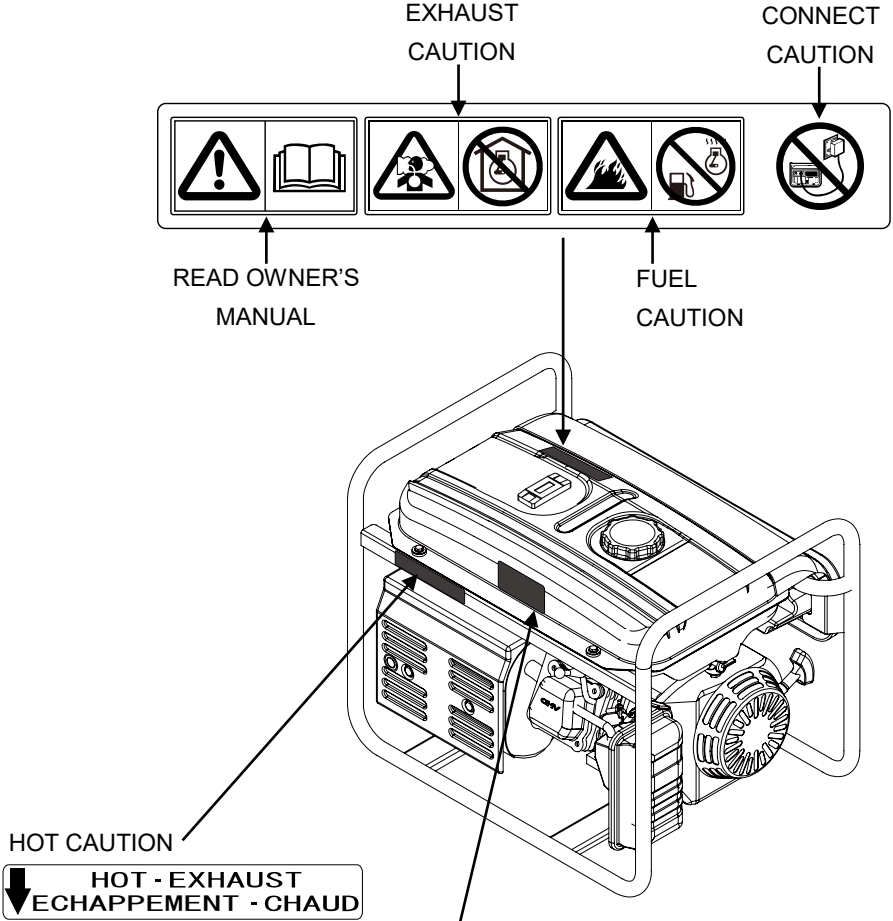
1. LOOSE PARTS
2. INSTALLATION OF WHEEL KIT

# 1. SAFETY LABEL LOCATION

These labels warn you of potential hazards that can cause serious injury.

Read them carefully.

If a label comes off or becomes hard to read, contact your Honda dealer for a replacement.

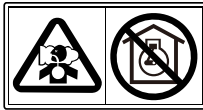


## SPEC

<b>EZ3000CX</b>		Honda Motor Co., Ltd. MADE IN CHINA	
AC	■ RATED OUTPUT	■ INSULATION LEVEL	
	■ MAX. OUTPUT	■ MAX. AMBIENT TEMP.	
	■ RATED VOLTAGE	■ POWER FACTOR	
	■ RATED CURRENT	■ PHASE	
	■ RATED FREQUENCY	■ MASS	
	■ RATED SPEED		
	■ IP		
	FUEL	GASOLINE(PETROL)	



- Honda generator is designed to give safe and dependable service if operated according to instructions.  
Read and understand the Owner's Manual before operating the generator.  
Failure to do so could result in personal injury or equipment damage.



- Exhaust contains poisonous carbon monoxide, a colorless, odorless gas.  
Breathing carbon monoxide can cause loss of consciousness and may lead to death.
- If you run the generator in an area that is confined, or even partially enclosed area, the air you breathe could contain a dangerous amount of exhaust gas.
- Never run your generator inside a garage, house or near open windows or doors.



- Gasoline is highly flammable and explosive.  
Turn the engine off and let it cool before refueling.



- Improper connections to a building's electrical system can allow current from the generator to backfeed into the utility lines.  
Such backfeed may electrocute utility company workers or others who contact the lines during a power outage, and the generator may explode, burn or cause fires when utility power is restored.  
Consult the utility company or a qualified electrician prior to making any power connections.

## **2. IMPORTANT SAFETY INFORMATION**

Honda generators are designed for use with electrical equipment that has suitable power requirements.

Other uses can result in injury to the operator or damage to the generator and other property.

Most injuries or property damage can be prevented if you follow all instructions in this manual and on the generator. The most common hazards are discussed below, along with the best way to protect yourself and others.

- Never attempt to modify the generator.
  - It can cause an accident as well as damage to the generator and appliances.
- Do not connect an extension to the muffler.
- Do not modify the intake system.
- Do not adjust the governor.
- Do not remove the control panel or do not change the wiring of the control panel.

### **Operator Responsibility**

- Know how to stop the generator quickly in case of emergency.
- Understand the use of all generator controls, output receptacles, and connections.
- Be sure that anyone who operates the generator receives proper instruction. Do not let children operate the generator without parental supervision.
- Be sure to observe the instructions in this manual for how to use the generator and maintenance information. Ignoring or improperly following the instructions can cause an accident such as an electric shock, and the condition of the exhaust gas may deteriorate.
- Obey all applicable laws and regulations where the generator is used.
- Gasoline and Oil is toxic.
  - Follow the instructions provided by each manufacturer before use.
- Place the generator on a firm level place before operation.
- Do not operate the generator with any cover removed. You may get your hand or foot caught in the generator and it may cause accident.
- Consult your authorized Honda dealer for disassembly and service of the generator that are not covered in this manual.

### **Carbon Monoxide Hazards**

A generator's exhaust contains toxic carbon monoxide, which you cannot see or smell. Breathing carbon monoxide can KILL YOU IN MINUTES.

To avoid carbon monoxide poisoning, follow these instructions when operating a generator:

- Only run a generator OUTSIDE, far away from windows, doors, and vents.
- Never operate a generator inside a house, garage, basement, crawl space, or any enclosed or partially enclosed space.
- Never operate a generator near open doors or windows.
- Get fresh air and seek medical attention immediately if you suspect you have inhaled carbon monoxide.

Early symptoms of carbon monoxide exposure include headache, fatigue, shortness of breath, nausea, and dizziness. Continued exposure to carbon monoxide can cause loss of muscular coordination, loss of consciousness, and then death.

## **Electric Shock Hazards**

The generator produces enough electric power to cause a serious shock or electrocution if misused.

- Do not use in wet conditions. Keep the generator dry.
  - Do not use in the rain or snow.
  - Do not use near a pool or a sprinkler system.
  - Do not use when your hands are wet.
- If the generator is stored outdoors, unprotected from the weather, all of the electrical components on the control panel before each use. Moisture or ice can cause a malfunction or short circuit in electrical components that could result in electrocution.
- Do not connect to a building's electrical system unless an isolation switch has been installed by a qualified electrician.

## **Fire and Burn Hazards**

Do not use the generator in areas with a high risk of fire.

The exhaust system gets hot enough to ignite some materials.

- Keep the generator at least 1 meter (3 feet) away from buildings and other equipment during operation.
- Do not enclose the generator in any structure.
- Keep flammable materials away from the generator.

Some parts of the internal combustion engine are hot and may cause burns. Pay attention to the warnings on the generator.

The muffler becomes very hot during operation and remains hot for a while after stopping the engine. Be careful not to touch the muffler while it is hot. Let the engine cool before storing the generator indoors.

Do not pour the water directly on the generator to put out the fire when it occurs. Use an appropriate fire extinguisher specially designed for electric fire or oil fire.

If you inhale fumes produced by an accidental fire with the generator, consult a doctor and have medical treatment immediately.

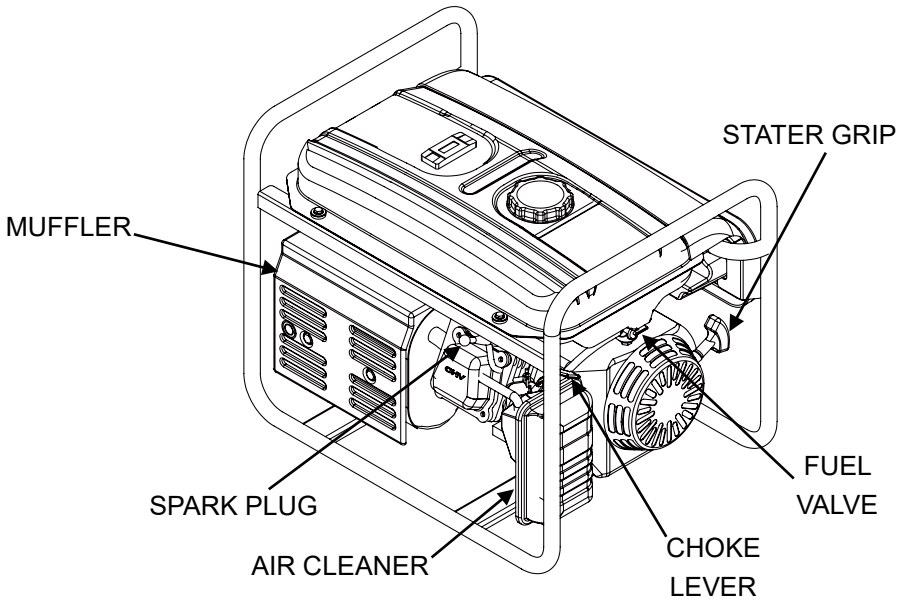
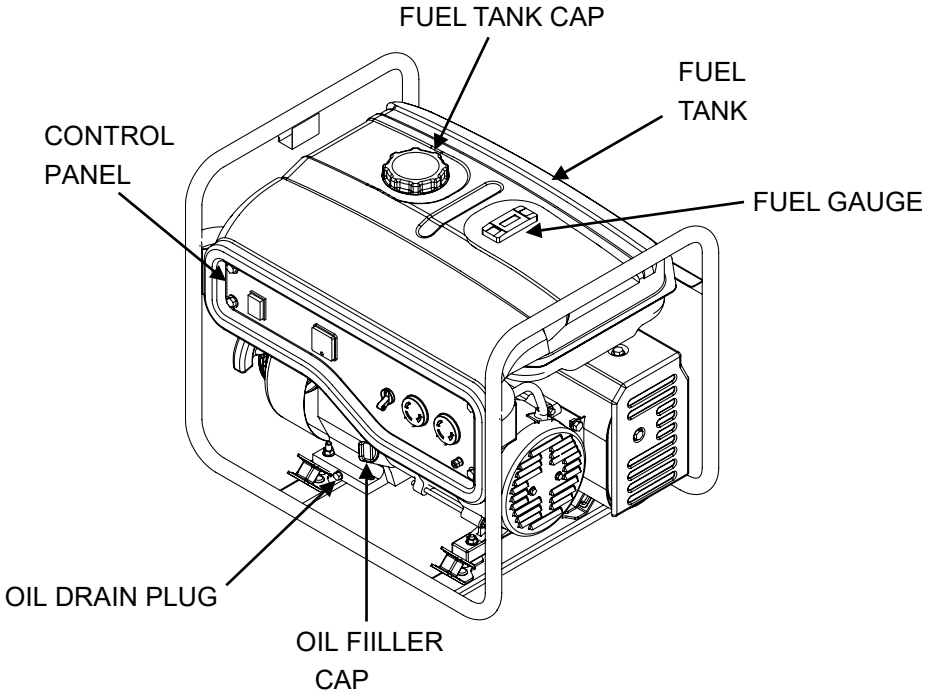
## **Refuel with care**

Gasoline is extremely flammable, and gasoline vapor can explode.

- Do not refuel during operation.
- Allow the engine to cool if it has been in operation.
- Refuel only outdoors in a well-ventilated area and on a level surface.
- Never smoke near gasoline, and keep other flames and sparks away.
- Do not overfill the fuel tank.
- Make sure that any spilled fuel has been wiped up and cleaned before starting that engine.
- Always store gasoline in an approved container.

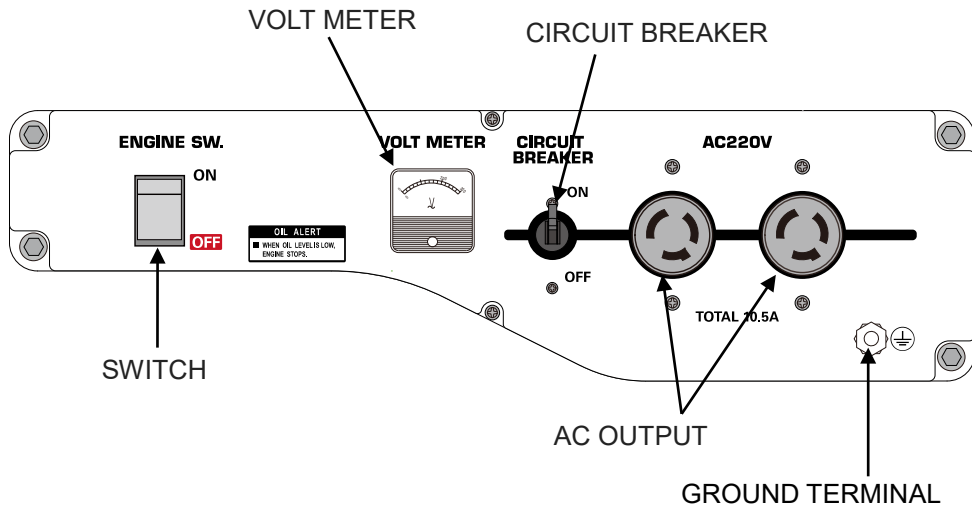
### 3.COMPONENTS

---

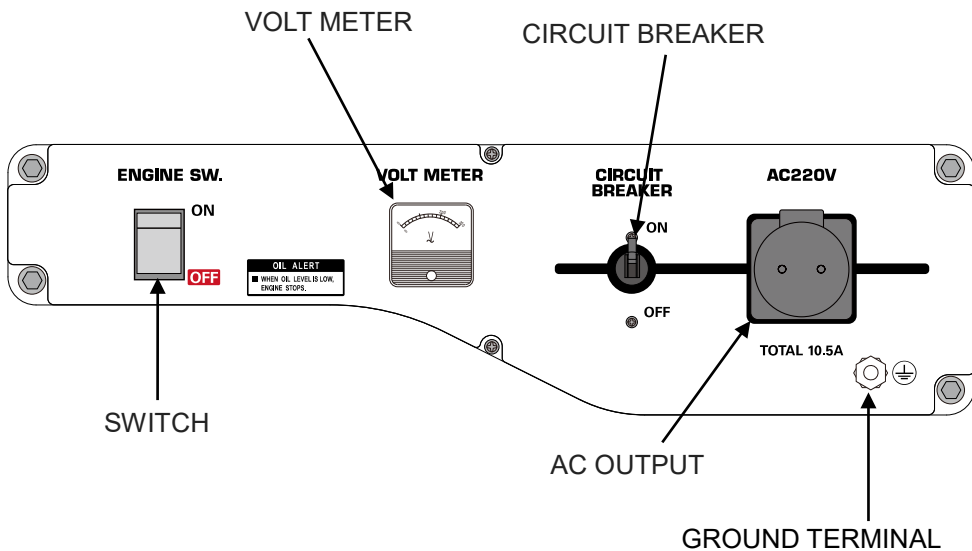




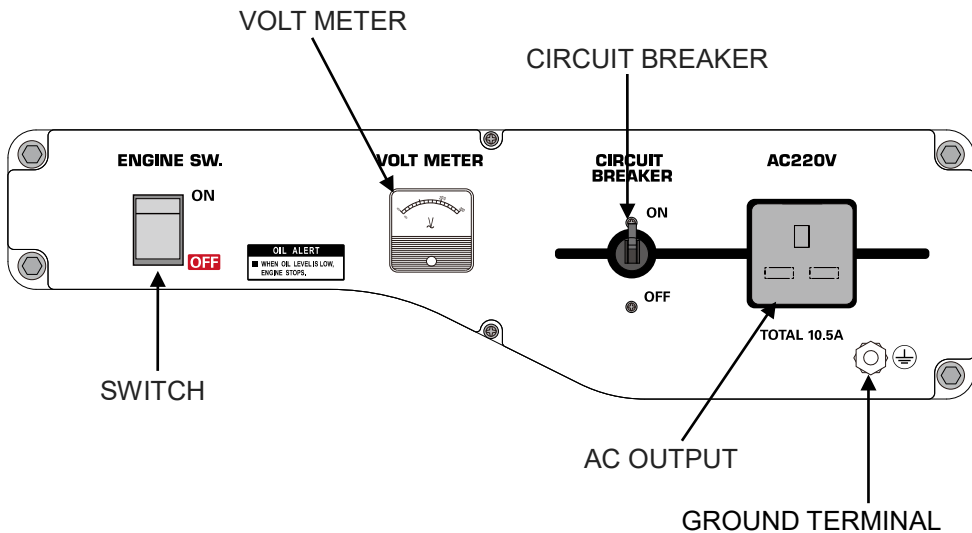
Type : R



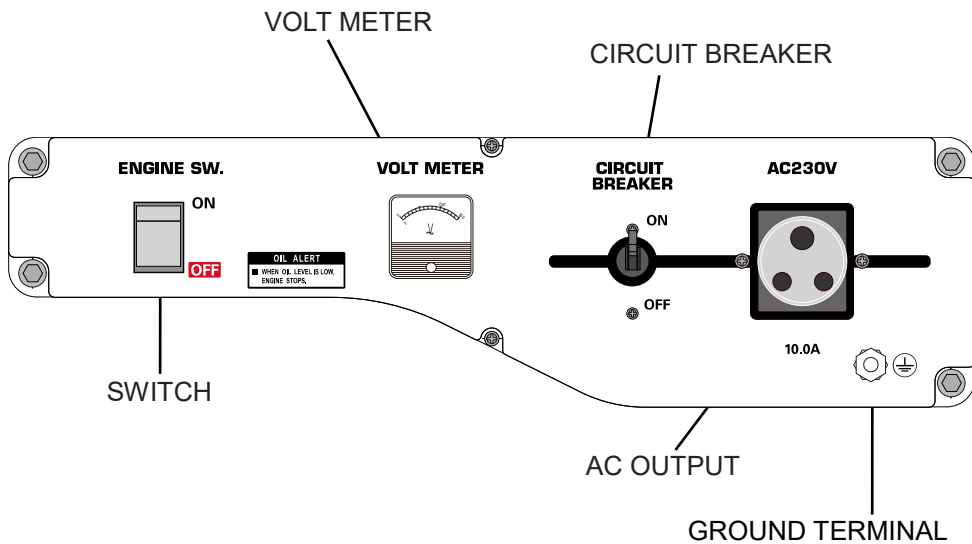
Type : REH



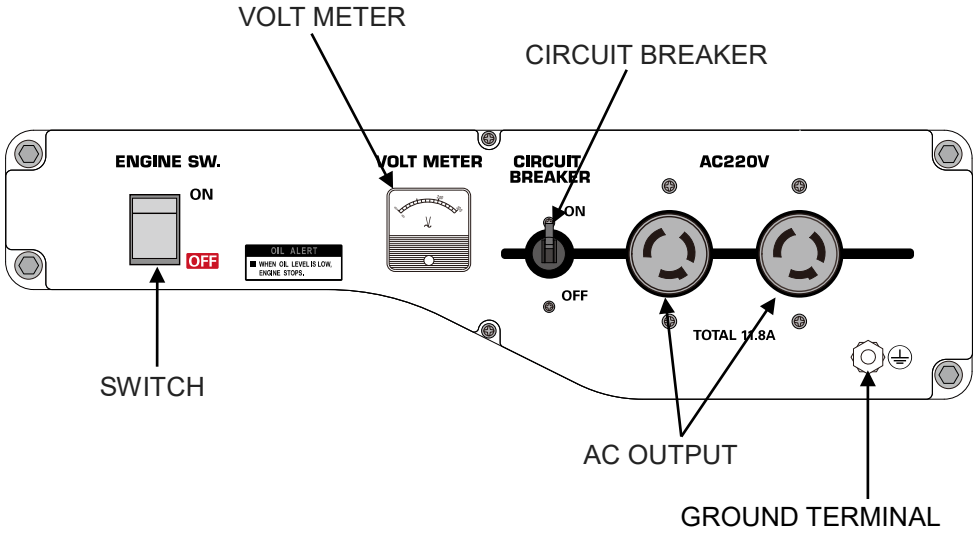
Type : RK



Type : M



Type : S



## 4. CONTROLS

---

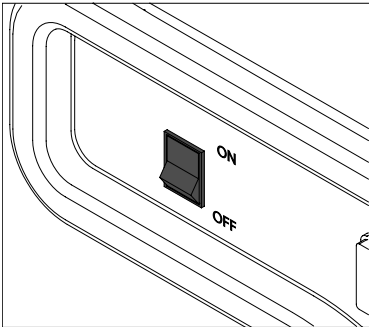
### Engine switch

To start and stop the engine.

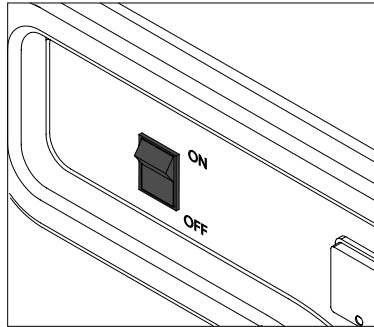
Switch position:

**ON:**To run the engine after starting.

**OFF:**To stop the engine.



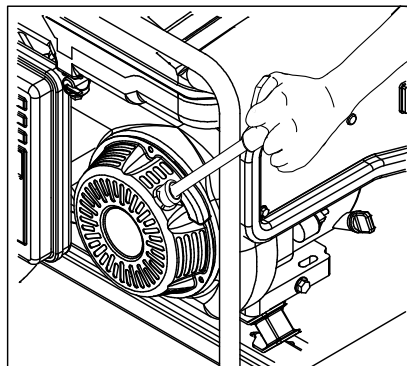
ON Position



OFF Position

### Recoil starter

To start the engine, pull the starter grip lightly until resistance is felt, then pull briskly.



**NOTICE** Do not pull the starter grip from control panel side.

Starter rope may rub and be broken.

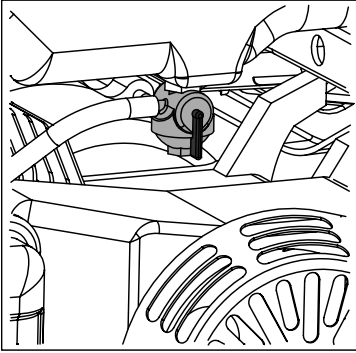
Do not allow the starter to snap back against the engine.

Return it gently to prevent damage to the starter.

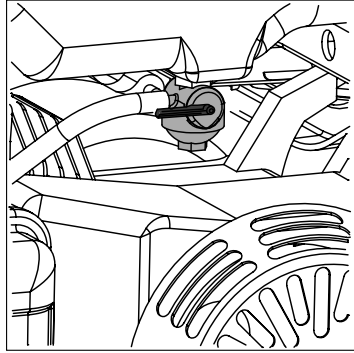
## Fuel valve

The fuel valve is located between the fuel tank and carburetor.

When the valve lever is in the "ON" position, fuel is allowed to flow from the fuel tank to the carburetor. Be sure to return the lever to "OFF" after stopping the engine.



ON Position



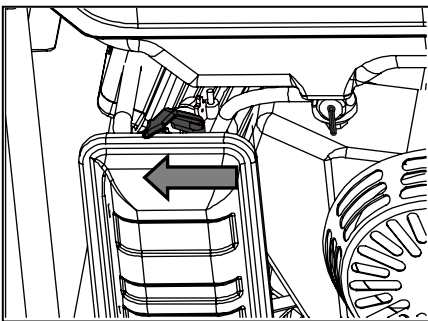
OFF Position

## Choke Lever

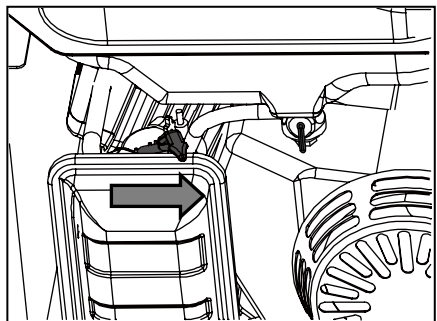
The choke is used to provide proper starting mixture when the engine is cold.

It can be opened and closed by operating the choke lever manually.

Slide the lever toward the "CLOSED" to enrich the mixture.



CLOSED

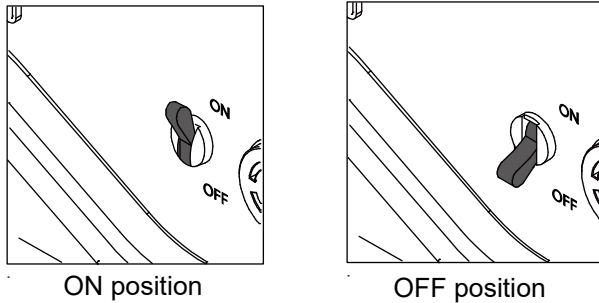


OPEN

## Circuit Breaker

The Circuit breaker will automatically cut off the circuit if there is a short circuit or a significant overload of the generator at the receptacle.

If the circuit breaker is OFF automatically, check that the appliance is working properly and does not exceed the rated load capacity of the circuit before ON position to the circuit breaker.



## Ground terminal

The generator ground terminal is connected to the frame of the generator, the metal non-current carrying parts of the generator, and the ground terminals of each receptacle.

## Oil Alert System

The Oil Alert system is designed to prevent engine damage caused by an insufficient amount of oil in the crankcase. Before the oil level in the crankcase can fall below a safe limit, the Oil Alert system will automatically stop the engine (the engine switch will remain in the ON position).

If the engine stops and will not restart, check the engine oil level (see page 14) before troubleshooting in other areas.

## 5. BEFORE STARTING ENGINE

### ⚠ CAUTION

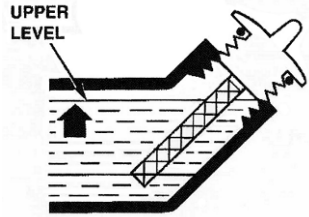
Be sure to check the generator on a level surface with the engine stopped.

Before each use, look around and underneath the engine for signs of oil or gasoline leaks.

1. Fill recommended engine oil to the upper level if the oil is short.
2. Change oil if it becomes dirty or discolored.

Oil capacity at upper level mark: See below drawing.

Oil capacity: 0.6ℓ

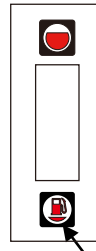
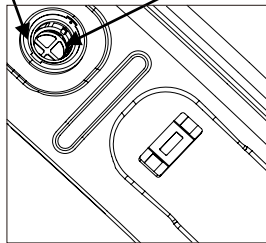


3. Check the level gauge. See below drawing.

If fuel level is low, refill with unleaded automotive gasoline.

UPPER LIMIT MARK (RED)

Do not fill above than fuel strainer shoulder.



LEVEL GAUGE

4. Fuel tank capacity: 11.5

### ⚠ WARNING

- Gasoline is extremely flammable and is explosive under certain conditions.
- Refuel in a well ventilated area with the engine stopped. Do not smoke or allow flames or sparks in the area where the engine is refueled or where gasoline is stored.
- Do not overfill the fuel tank (there should be no fuel above the upper limit mark). After refueling, make sure the fuel filler cap is closed properly and securely.
- Be careful not to spill fuel when refueling. Spilled fuel or fuel vapor may ignite. If any fuel is spilled, make sure the area is dry before starting the engine.
- Avoid repeated or prolonged contact with skin or breathing of vapor.

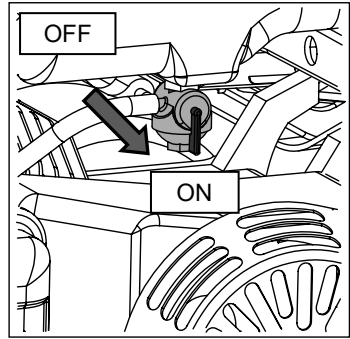
**KEEP OUT OF REACH OF CHILDREN.**

# 6. OPERATION

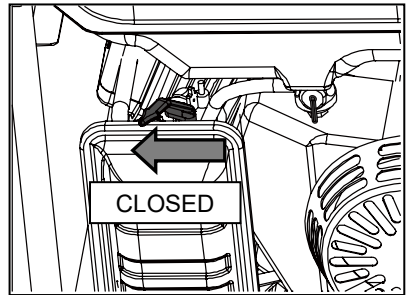
## 1. STARTING THE ENGINE

- 1) Make sure that all electrical loads from panel receptacles are disconnected.  
The generator may be hard to start if a load is connected.

- 2) Turn the fuel valve to the "ON" position.

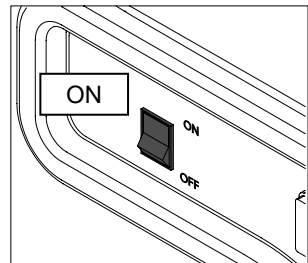


- 3) If you want to start operating the choke manually, move the choke lever to the "CLOSED" position.

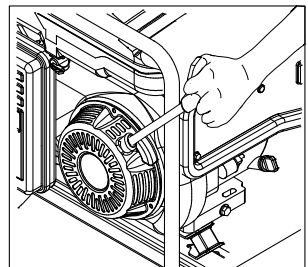


- 4) Start the engine.

Push the engine switch to the "ON" position.



Pull the starter grip lightly until resistance is felt, then pull briskly.





**NOTICE**

**Do not allow the starter grip to snap back against the engine. Return it gently to prevent damage to the starter or housing.**

- 5) If you have manually closed the choke, move it to the "OPEN" position as the engine warms up.

**2. APPLYING AC LOAD**

- 1) Start engine (see STARTING THE ENGINE).
- 2) Allow the engine to warm up for 2-3 minutes before connecting tools or appliances.
- 3) Insert the plug of the electrical appliance into "AC RECEPTACLE".

**NOTICE**

- \*\* Do not take a current exceeding the specified amperage.
- \*\* Be sure that total wattage of all appliances does not exceed the rated output of the generator.
- \*\* Limit length of extension cables: 60m for cables of 1.5mm<sup>2</sup> and 100m for cables of 2.5mm<sup>2</sup>.

** CAUTION**

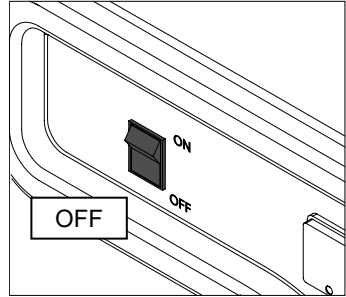
When the generator is overloaded or a short circuit is made, the CIRCUIT BREAKER will trip to protect the circuit automatically. If CIRCUIT BREAKER trips during operation, the generator is either over loaded or the appliance is defective.

Check the appliance and / or generator for defect or overloading and make necessary repairs or corrections before use.

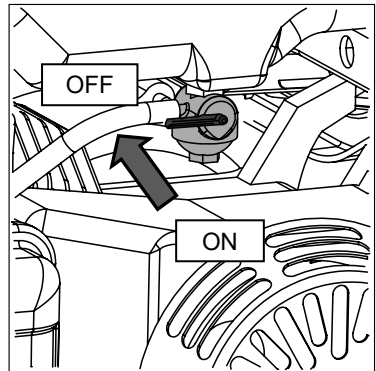
## 7. STOPPING ENGINE

---

- 1) Disconnect all electrical loads from panel receptacles.
- 2) Push the engine switch to the "OFF" position.



- 3) Turn the fuel valve to the "OFF" position.



### **⚠ CAUTION**

Never leave an appliance plugged into the generator when you stop the generator as damage could result to the generator and / or appliance.

To stop the engine in an emergency, turn the engine switch to the "OFF" position.

## 8. MAINTENANCE

Periodic inspection and adjustment of Honda engine & Generator is essential if high-level performance is to be maintained. Regular maintenance will also ensure a long service life. The required service intervals and kind of maintenance to be performed are described on OWNER'S MANUAL.

### NOTICE

Use only genuine Honda parts or their equivalent for maintenance or repair.

Replacement parts, which are not of equivalent quality, may damage the generator.

### MAINTENANCE SCHEDULE

REGULAR SERVICE PERIOD Performed at every indicated month or operating hour interval, whichever comes first.		Each use	First month or 20Hrs. (3)	Every 3month or 50Hrs. (3)	Every 6month or 100Hrs. (3)	Every Year or 300Hrs. (3)	PAGE	
ITEM								
Engine oil	Check level	O					14	
	Change		O		O		19	
Air cleaner	Check	O					-	
	Clean			O (1)			22	
Spark plug	Check-Clean				O		21	
	Replace					O	-	
Valve clearance	Check-Adjust					O (2)	-	
Combustion Chamber	Clean	After every 500 Hrs.(2)						-
Fuel tank and strainer	Clean				O (2)		-	
Fuel tube	Check	Every 2 years (2) (Replace if necessary)						-

- (1) Service more frequently when used in dusty areas.
- (2) These items should be serviced by your dealer, unless the owner has the proper tools and is mechanically proficient. See the service manual.
- (3) For professional commercial use, log hours of operation to determine proper maintenance intervals.

Failure to follow this maintenance schedule could result in non-warrantable failures.

## Engine oil

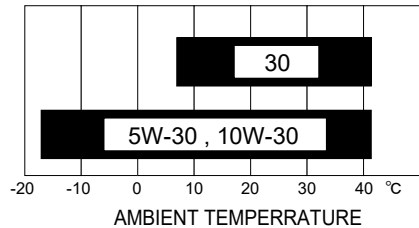
**Engine oil is a major factor affecting engine performance and service life. Non detergent oils and 2-stroke engine oils will damage the engine and are not recommended.**

**Check the oil level BEFORE EACH USE with the generator on a level surface with the engine stopped.**

Use a high quality detergent oil classified "For Service SF,SG,SH,SJ" 4-stroke motor oil. Use no special additives with recommended oils. Do not mix oil with gasoline.

\*\* Air-cooled engines run hotter than automotive engines. The use of no-synthetic multi-viscosity oils (5W-30,10W-30,etc.)in temperatures above 40° F(4°C), will result in higher than normal oil consumption. When using multi-viscosity oil, check oil level more frequently

\*\* SAE30 oil, if used below 40° F (4°C), will result in hard starting and possible engine bore damage due to inadequate lubrication.



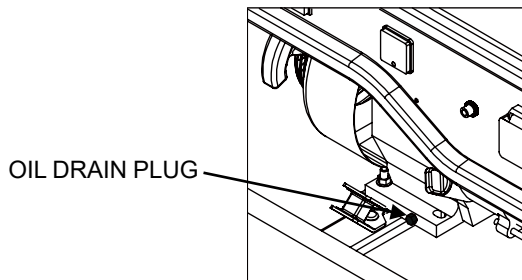
## Engine oil change

Drain the oil while the engine is warm to assure rapid and complete draining.

- 1) Remove the drain plug and sealing washer, oil filler cap, and drain the oil.
- 2) Refill with the recommended oil and check the level.
- 3) Reinstall the drain plug and sealing washer. Tighten the plug securely.

Sealing washer can not be reused. Replace with new.

**Oil capacity: 0.6ℓ**



## **⚠ CAUTION**

**Used motor oil may cause skin cancer if repeatedly left in contact with the skin for prolonged periods. Although this is unlikely unless you handle used oil on a daily basis, it is still advisable to thoroughly wash your hands with soap and water as soon as possible after handling used oil.**

Please dispose of used motor oil in a manner that is compatible with the environment. We suggest you take it in a sealed container to your local service station or recycling center for reclamation. Do not throw it in the trash or pour it on the ground.

## Refueling

**Fuel tank capacity: 11.5ℓ**

Check the fuel level gauge, and refill the tank if the fuel level is low.

## **⚠ WARNING**

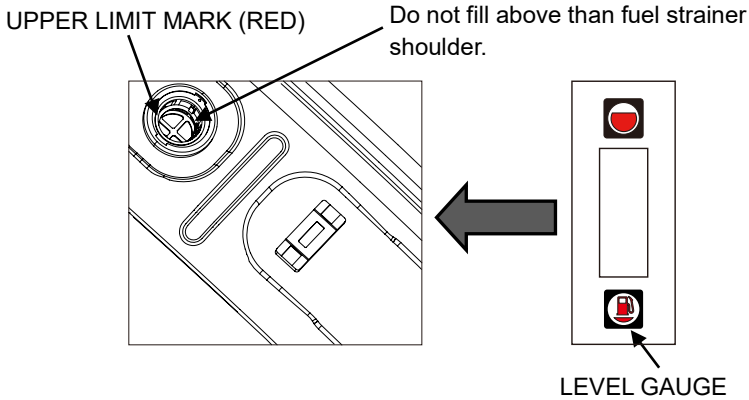
**Gasoline is highly flammable and explosive, and you can be burned or seriously injured when handling fuel.**

- **Stop engine and keep heat, sparks, and flame away.**
- **Handle fuel only outdoors.**
- **Wipe up spills immediately.**

Refuel in a well-ventilated area before starting the engine. If the engine has been running, allow it to cool. Refuel carefully to avoid spilling. Do not fill above the shoulder of the fuel strainer. After refueling, tighten the fuel tank cap securely.

Never refuel the generator inside a building where gasoline fumes may reach flames or sparks. Keep gasoline away from appliance pilot lights, barbecues, electric appliances, power tools, etc.

Spilled fuel is not only a fire hazard, it causes environmental damage. Wipe up spills immediately.



## Spark plug service

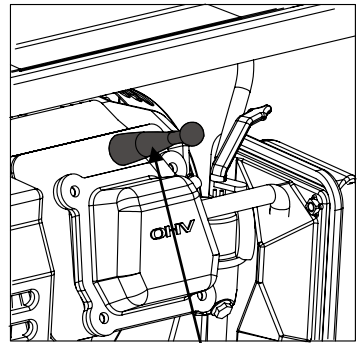
### Recommended spark plugs:

EZ3000CX : BPR6ES(NGK) , W20EPR-U(DENSO)

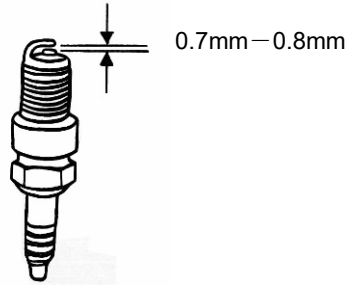
To ensure proper engine operation, the spark plug must be properly gapped and free of deposits.

If the engine has been running, the muffler will be very hot. Be careful not to touch the muffler.

- 1) Remove the spark plug cap.
- 2) Clean any dirt from around the spark plug base.
- 3) Use the wrench supplied in the tool kit to remove the spark plug.
- 4) Visually inspect the spark plug. Discard it if the insulator is cracked or chipped. Clean the spark plug with a wire brush if it is to be reused.
- 5) Measure the plug gap with a feeler gauge. Correct as necessary by carefully bending the side electrode.



**The gap should be:** 0.7mm—0.8mm



- 6) Check that the spark plug washer is in good condition, and thread the spark plug in by hand to prevent cross-threading.
- 7) After the spark plug is seated, tighten with a spark plug wrench to compress the washer.
  - If installing a new spark plug, tighten 1/2 turn after the spark plug seats to compress the washer. If reinstalling an used spark plug, tighten 1/8-1/4 turn after the spark plug seats to compress the washer.

#### NOTICE

**The spark plug must be securely tightened. An improperly tightened spark plug can become very hot and could damage the engine.**

**Never use spark plugs which have an improper heat range. Use only the recommended spark plugs or equivalent.**

#### Air cleaner service

A dirty air cleaner will restrict air flow to the carburetor. To prevent carburetor malfunction, service the air cleaner regularly. Service more frequently when operating the generator in extremely dusty areas.

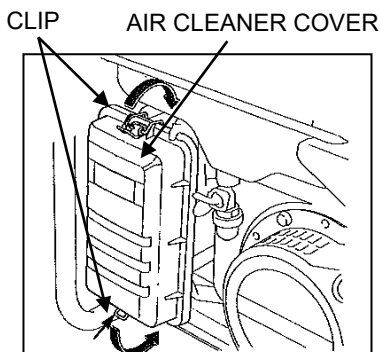
#### **⚠ WARNING**

**Using gasoline or flammable solvent to clean the filter element can cause a fire or explosion. Use only soapy water or nonflammable solvent.**

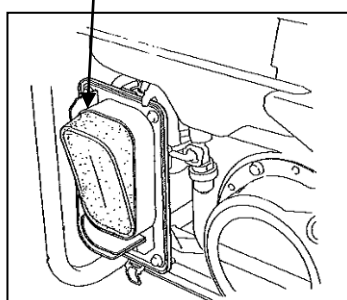
#### NOTICE

**Never run the generator without the air cleaner. Rapid engine wear will result.**

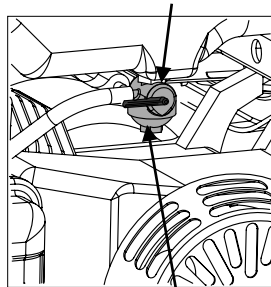
- 1) Unsnap the air cleaner cover clips, remove the air cleaner cover, and remove the element.
- 2) Wash the element in a solution of household detergent and warm water, then rinse thoroughly; or wash in nonflammable or high point solvent. Allow the element to dry thoroughly.
- 3) Soak the element in clean engine oil and squeeze out the excess oil. The engine will smoke during initial start-up if too much oil is left in the element.
- 4) Reinstall the air cleaner element and the cover.



AIR CLEANER ELEMENT



FUEL VALVE



SEDIMENT CUP



### Fuel sediment cup cleaning

The sediment cup prevents dirt or water which may be in the fuel tank from entering the carburetor. If the engine has not been run for a long time, the sediment cup should be cleaned.

- 1) Turn the fuel valve to the "OFF" position. Remove the sediment cup, O-ring, and filter.
- 2) Clean the sediment cup, O-ring, and filter in nonflammable or high flash point solvent.
- 3) Reinstall the filter, O-ring, and sediment cup. O-ring can not be reused. Replace with new.
- 4) Turn the fuel valve "ON" and check for leaks.



## 9. TRANSPORTING AND STORAGE

---

When transporting the generator, turn the engine switch and the fuel valve “OFF”. Keep the generator level to prevent fuel spillage. Fuel vapor or spilled fuel may ignite.

### **WARNING**

**Touch a hot engine or exhaust system can cause serious burns or fires. Let the engine cool before transporting or storing the generator.**

Take care not to drop or strike the generator when transporting. Do not place heavy objects on the generator.

Before storing the unit for an extended period:

- 1) Be sure the storage area is free of excessive humidity and dust.
- 2) Service according to the table below:

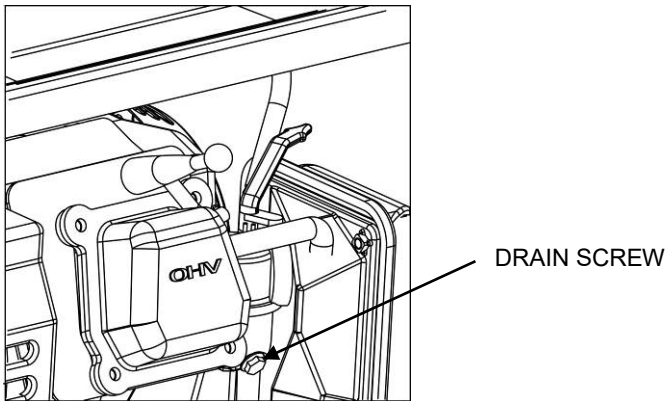
STORAGE TIME	RECOMMENDED SERVICE PROCEDURE TO PREVENT HARD STARTING
Less than 1 month	No preparation required.
1 to 2 months	Fill with fresh gasoline.
2 months to 1 year	Fill with fresh gasoline. Drain the carburetor float bowl. Drain the fuel sediment cup.
1 year or more	Fill with fresh gasoline. Drain the carburetor float bowl. Drain the fuel sediment cup. Remove the spark plug. Put a tablespoon of engine oil into the cylinder. Turn the engine slowly with the pull rope to distribute the oil. Reinstall the spark plug. Change the engine oil. After removal from storage, drain the stored gasoline into a suitable container, and fill with fresh gasoline before starting.

## Storage procedure

- 1) Drain the carburetor by loosening the drain screw. Drain the gasoline into a suitable container.

### **⚠ WARNING**

Gasoline is extremely flammable and is explosive under certain conditions. Perform this task in a well ventilated area with the engine stopped. Do not smoke or allow flames or sparks in the area during this procedure.



- 2) Change the engine oil.
- 3) Remove the spark plug, and pour about a tablespoon of clean engine oil into the cylinder. Crank the engine several revolutions to distribute the oil, then reinstall the spark plug.
- 4) Slowly pull the starter grip until resistance is felt. At this point, the piston is coming up on its compression stroke and both the intake and exhaust valves are closed. Storing the engine in this position will help to protect it from internal corrosion.

## 10. WATTAGE INFORMATION

---

Some appliance needs a “surge” of energy at starting. This means that the amount of electrical power needed to start the appliance may exceed the amount needed to maintain its use. See the chart below for appliances you may use with this generator.

Electrical appliance and tools normally come with a label indicating voltage, cycles/ Hz, amperage and electrical power needed to run the appliance or tool. If no specification label is found, check with your nearest dealer for the power surge of your appliances or power tools.

### NOTICE

The following wattage chart is guidance only.

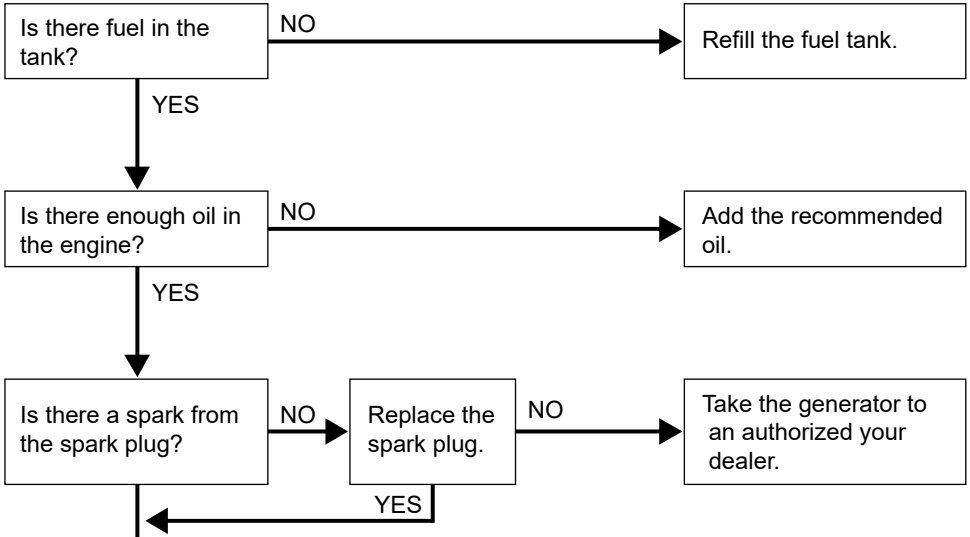
Refer to your specific appliance for correct wattage.

### APPLICABLE MAXIMUM WATTAGE ELECTRICAL EQUIPMENT (W)

APPLIANCE \ MODEL	EZ3000CX	
	50Hz	60Hz
INCANDESCENT LAMP, HEATER	2300	2600
FLUORESCENT LAMP,	1200	1500
MERCURY LAMP	750	900
ELECTRIC TOOLS	1200	1350
PUMP, COMPRESSOR	500	750

# 11. TROUBLE SHOOTING

## When the engine will not start:

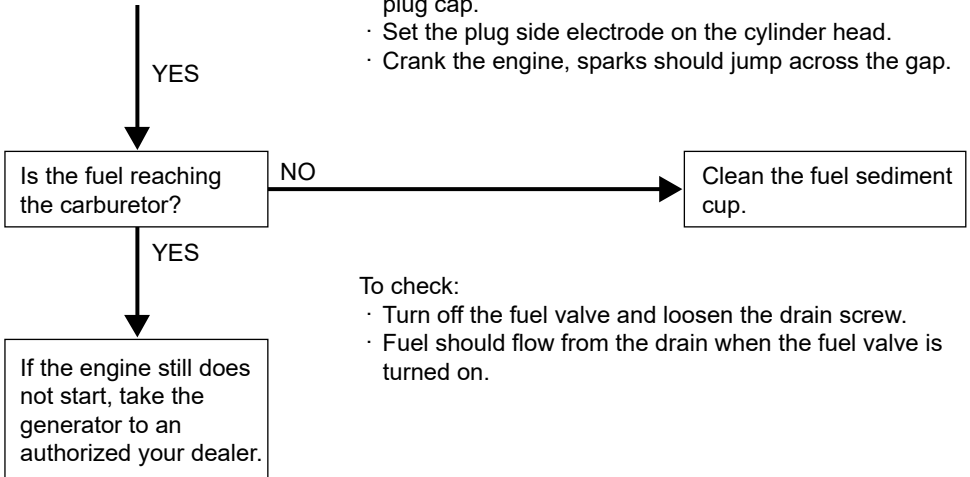


### WARNING

Be sure there is no spilled fuel around the spark plug. Spilled fuel may ignite.

#### To check:

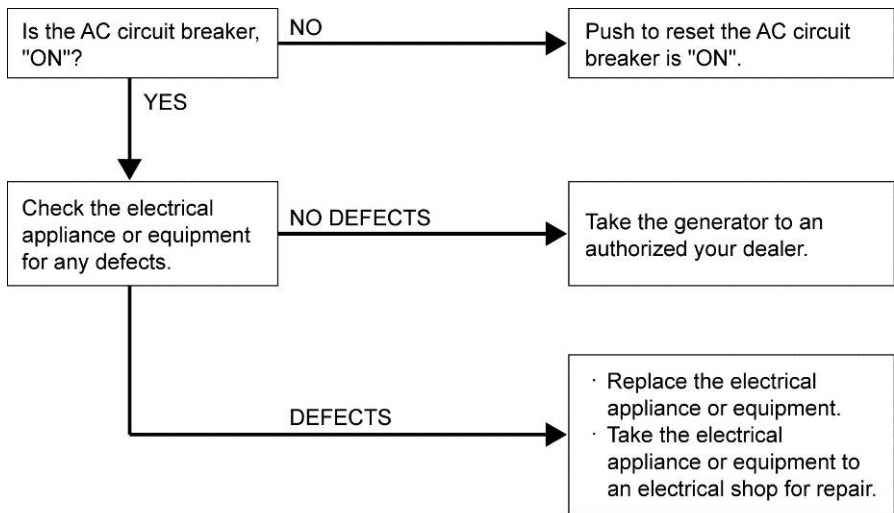
- Remove the spark plug cap and clean any dirt from around the spark plug.
- Remove the spark plug and install the spark plug in the plug cap.
- Set the plug side electrode on the cylinder head.
- Crank the engine, sparks should jump across the gap.



#### To check:

- Turn off the fuel valve and loosen the drain screw.
- Fuel should flow from the drain when the fuel valve is turned on.

## No electricity at the A.C RECEPTACLES:



\*\*\*If your generator still fails to start or generate electricity, contact Honda dealer.

## 12. SPECIFICATION

MODEL	EZ3000CX		
-------	----------	--	--

### ★ENGINE

Model	Honda GP200		
Displacement	cm <sup>3</sup>	196	
Oil alert system	YES		
Starting System	Recoil		
Oil Capacity	0.6		

### ★GENERATOR

System	Self-exciting, 2pole, field rotating type				
Voltage regulation system	AVR				
Phase	Single				
Rated power factor	cos $\phi$	1.0			
Insulation Class	F				
TYPE		R	REH	RK	M
Rated Voltage	V	220		230	
Frequency	Hz	50			
AC	Rated	kW	2.3		
Output	Maximum	kW	2.5		

TYPE	S		
Rated Voltage	V	220	
Frequency	Hz	60	
AC	Rated	kW	2.6
Output	Maximum	kW	3.0

### ★OTHERS

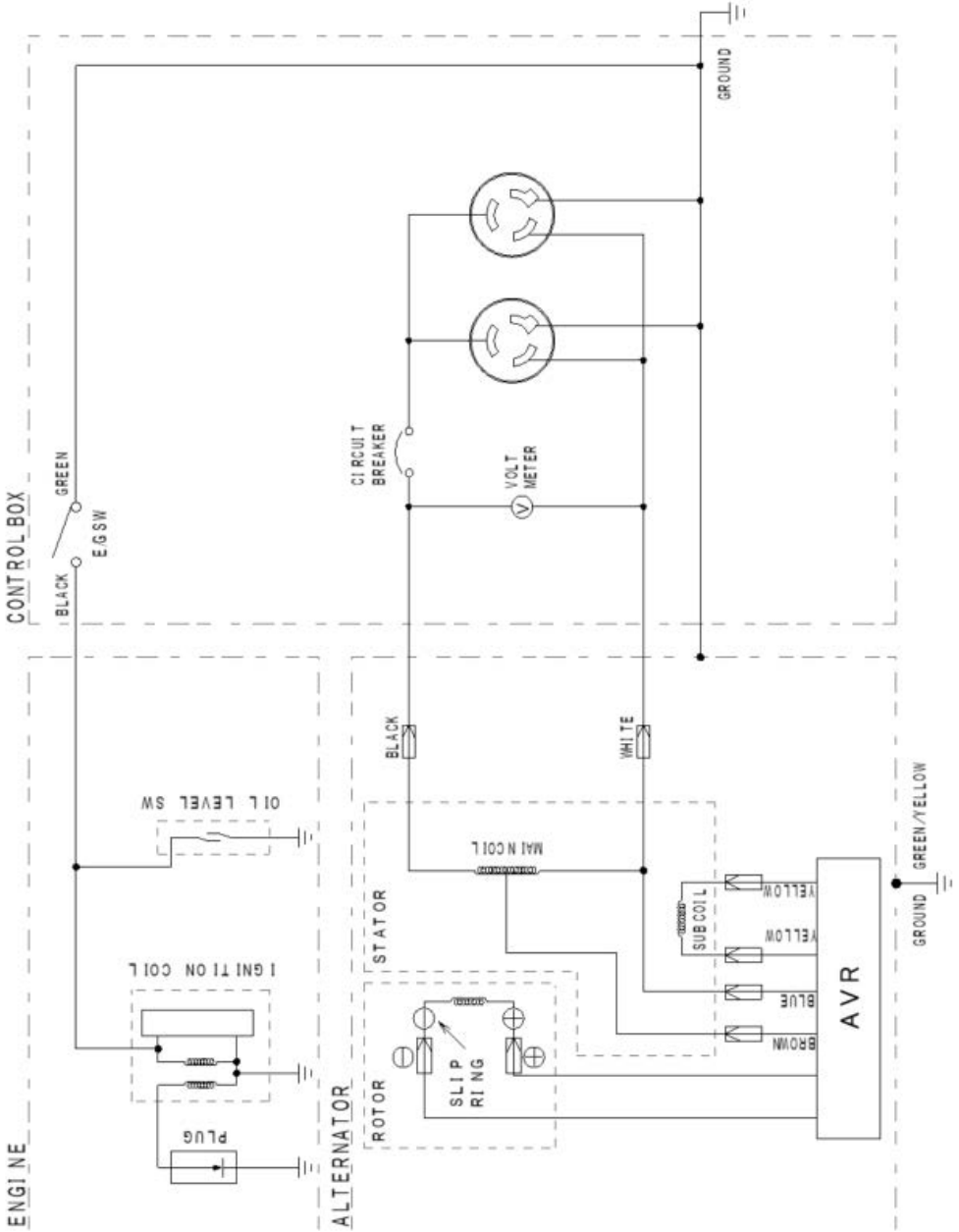
Fuel Tank Capacity	11.5		
Size	Length	mm	595(660)
	Width	mm	435(560)
	Height	mm	485(530)
Continuous operating	Hr	50Hz	7.3
		60Hz	6.9
Dry Weight	kg	44.0	

Specifications are subject to change without notice.

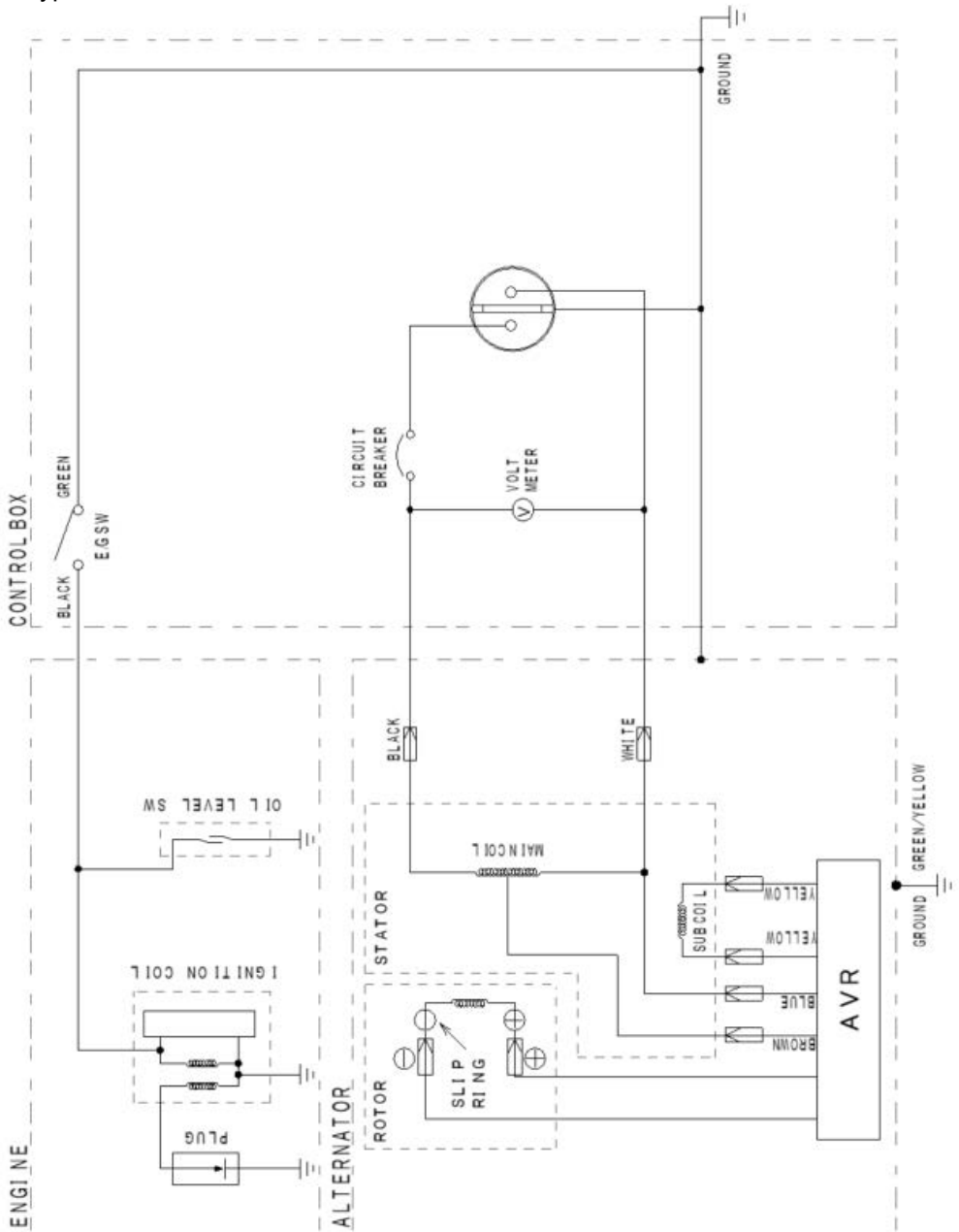
( ) with wheel kit

# 13. WIRING DIAGRAM

Type : R, S

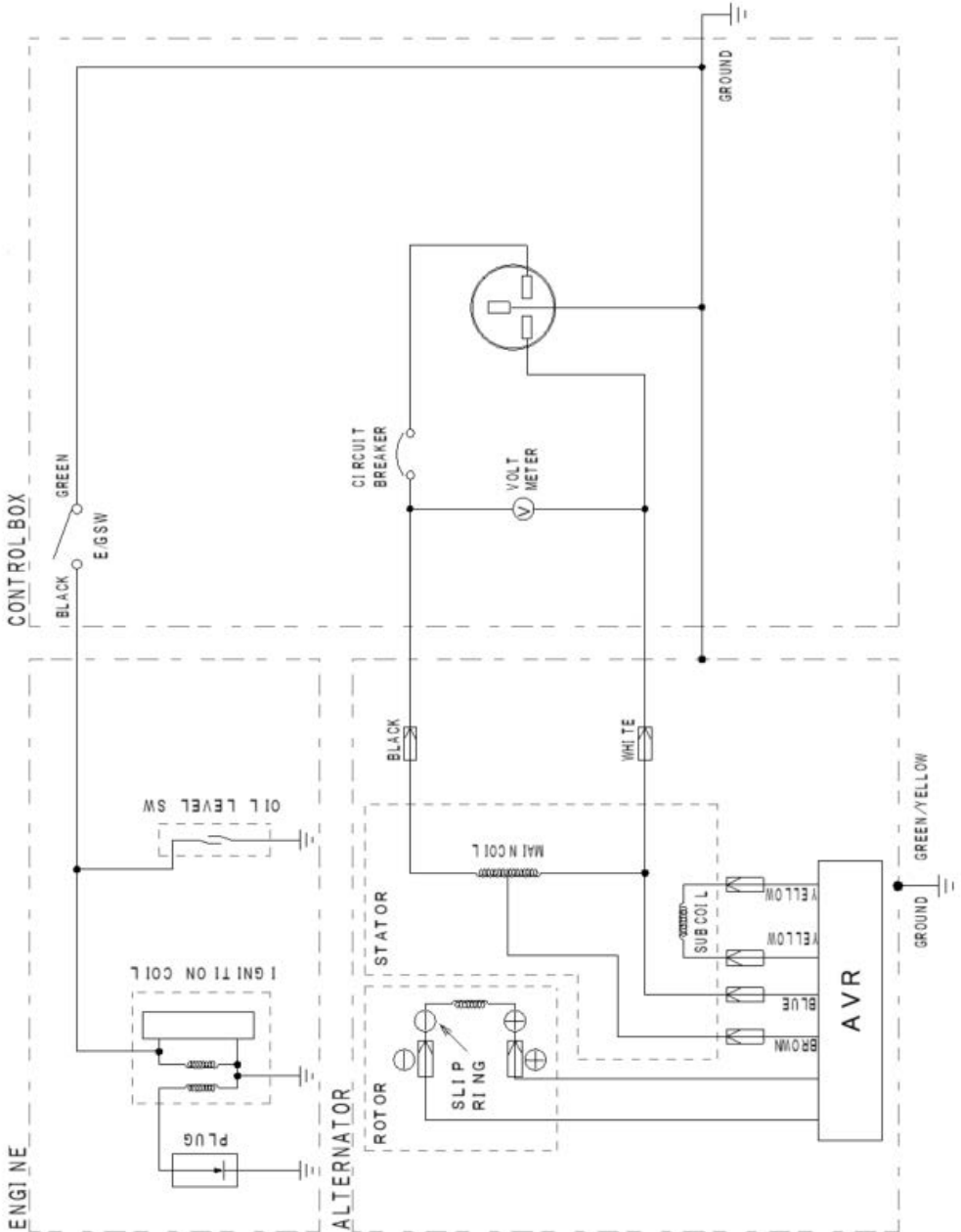


Type : REH

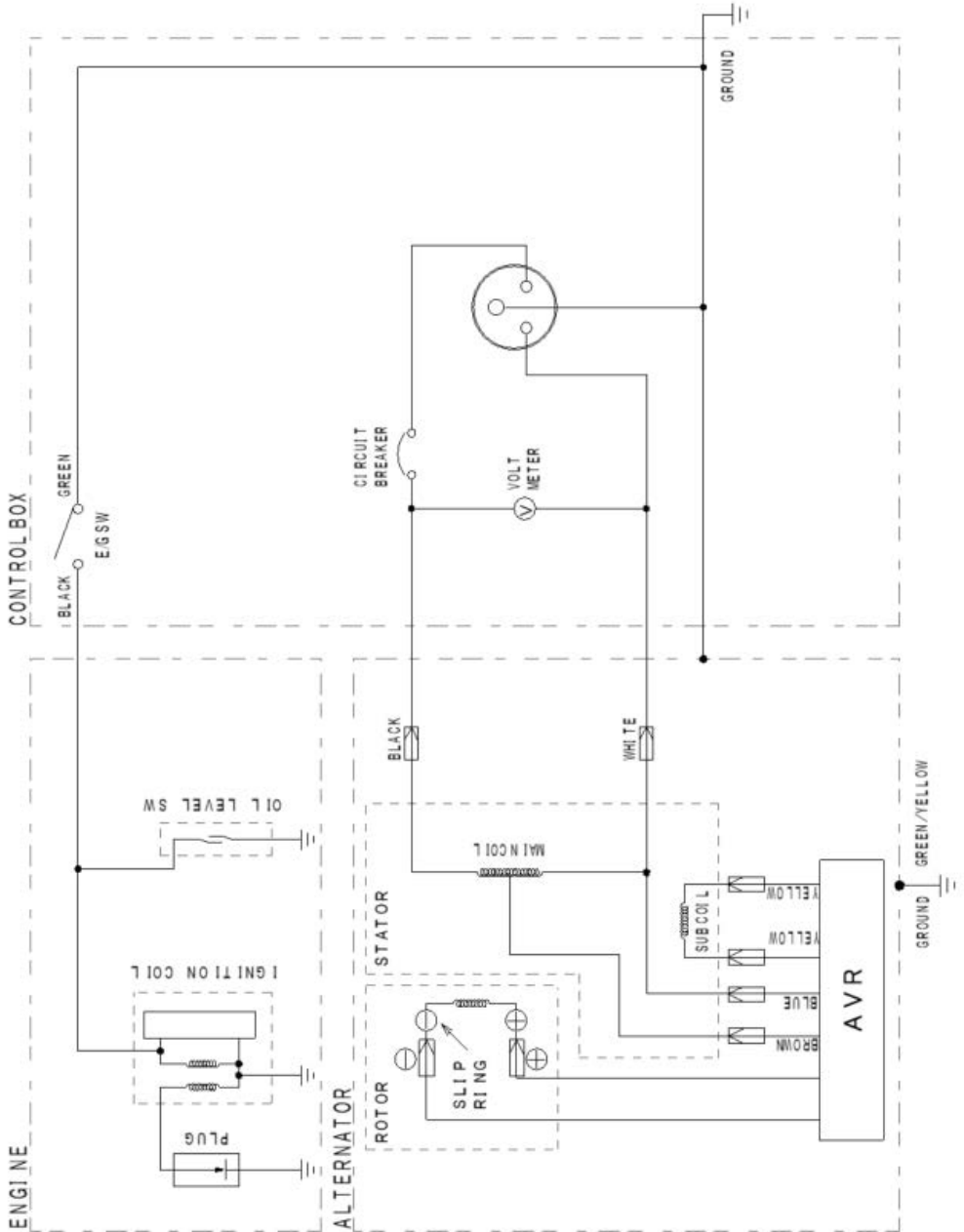




Type : RK



Type : M



# **APPENDIX**

**1. LOOSE PARTS**

**2. INSTALLATION OF WHEEL KIT**

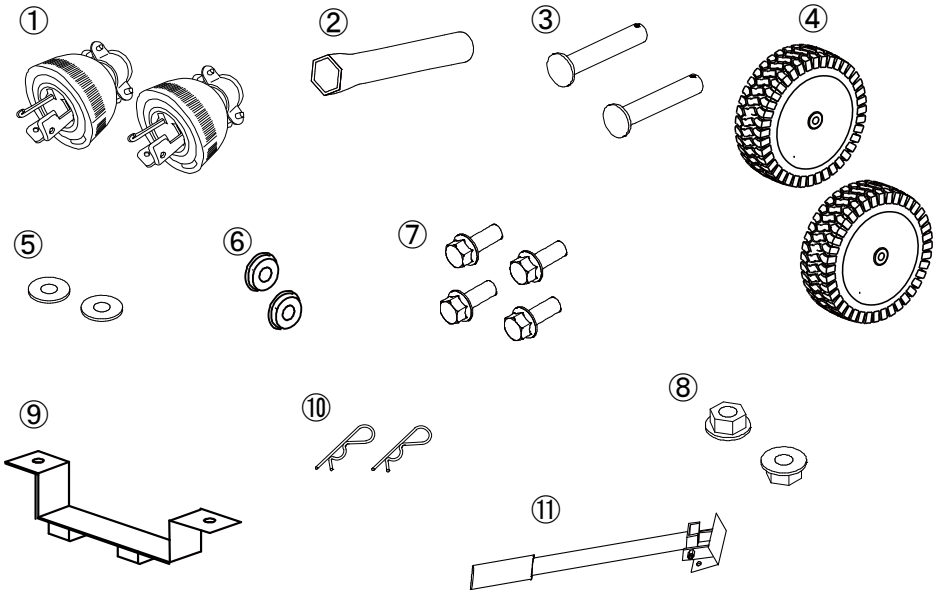
# 1. LOOSE PARTS

Check all loose parts against the following list.

Contact your dealer if any of the loose parts shown below are not included with your generator.

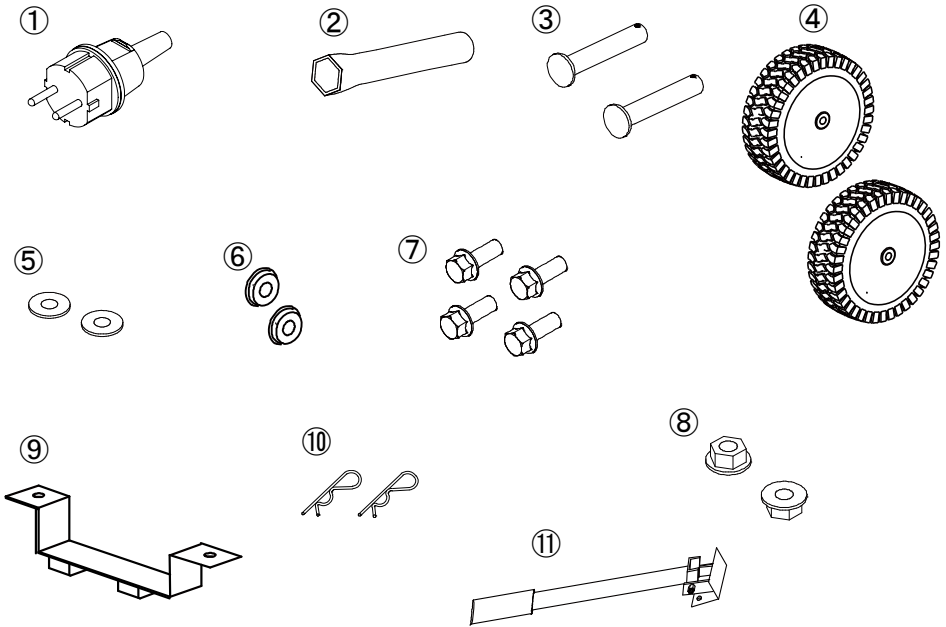
Type : R, S

Ref. No.	Description	Qty.
1	PLUG	2
2	PLUG WRENCH	1
3	SHAFT	2
4	WHEEL	2
5	WASHER	2
6	COVER	2
7	FLANGE BOLT M8	4
8	FLANGE NUT M8	2
9	STAND	1
10	SNAP PIN	2
11	HANDLE	1
-	OWNER'S MANUAL	1



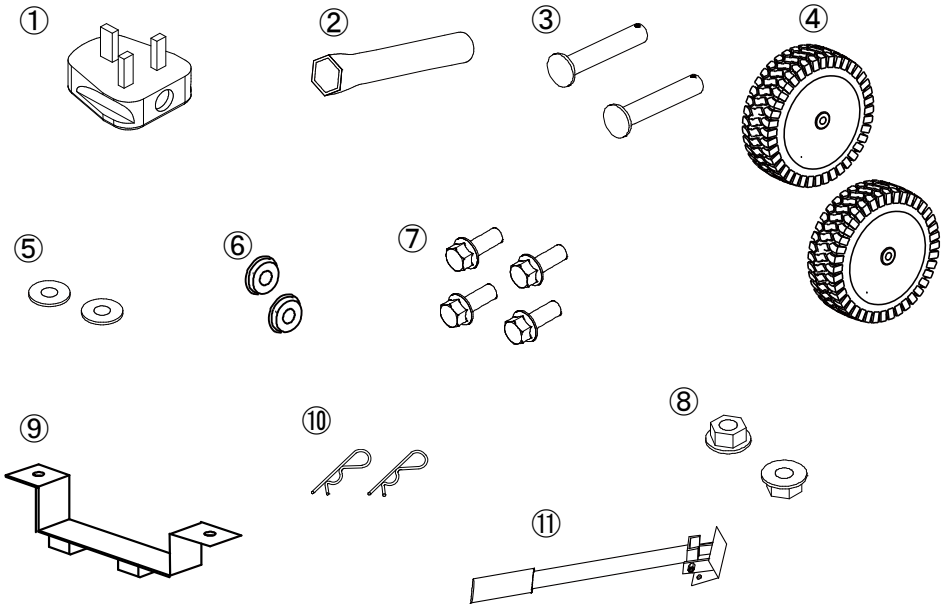
Type : REH

Ref. No.	Description	Qty.
1	PLUG	1
2	PLUG WRENCH	1
3	SHAFT	2
4	WHEEL	2
5	WASHER	2
6	COVER	2
7	FLANGE BOLT M8-16	4
8	FLANGE NUT M8	2
9	STAND	1
10	SNAP PIN	2
11	HANDLE	1
-	OWNER'S MANUAL	1



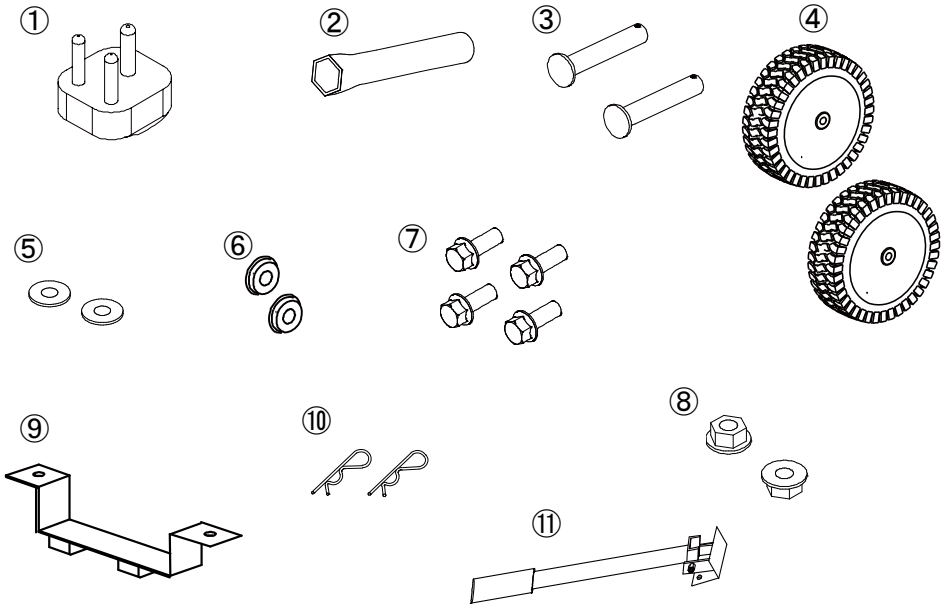
Type : RK

Ref. No.	Description	Qty.
1	PLUG	1
2	PLUG WRENCH	1
3	SHAFT	2
4	WHEEL	2
5	WASHER	2
6	COVER	2
7	FLANGE BOLT M8-16	4
8	FLANGE NUT M8	2
9	STAND	1
10	SNAP PIN	2
11	HANDLE	1
-	OWNER'S MANUAL	1



Type : M

Ref. No.	Description	Qty.
1	PLUG	1
2	PLUG WRENCH	1
3	SHAFT	2
4	WHEEL	2
5	WASHER	2
6	COVER	2
7	FLANGE BOLT M8-16	4
8	FLANGE NUT M8	2
9	STAND	1
10	SNAP PIN	2
11	HANDLE	1
-	OWNER'S MANUAL	1

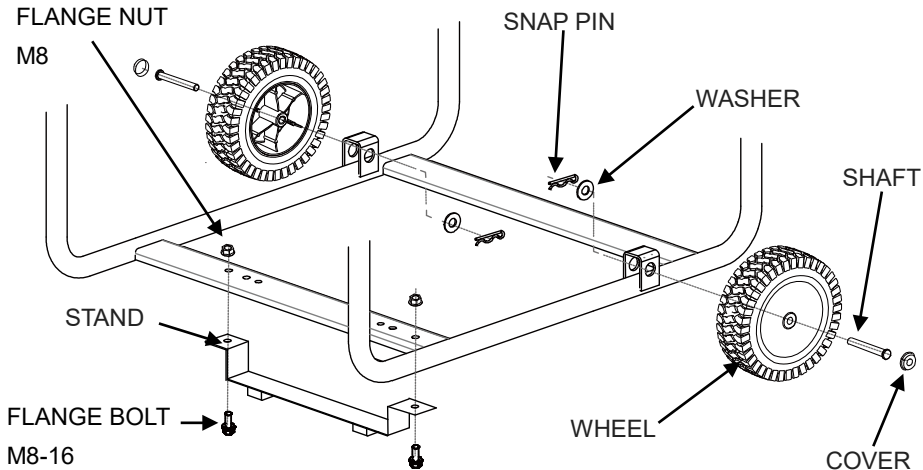


## 2. INSTALLATION OF WHEEL KIT

---

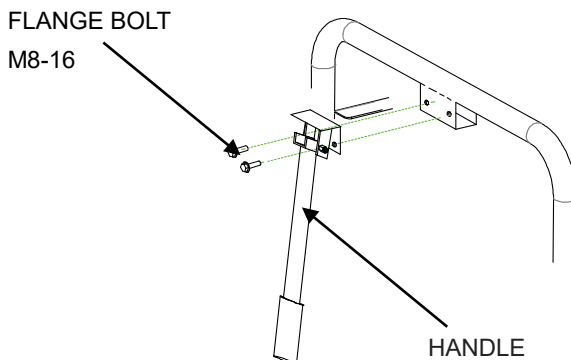
1. Install the stand on the under frame using M8-16mm flange bolts and M8 nuts.
2. Install wheels on the side of frame bracket with shaft and cover.

**TORQUE : 20.0 – 24.0 N·m**



3. Fix each shaft with a snap pin and washer.
4. Install the handle on the frame using M6-12mm flange bolts.

**TORQUE : 20.0 – 24.0 N·m**











EZ3000CX  
OWNER'S MANUAL