

**Honda EU30i**

**OWNER'S MANUAL**  
Original instructions

**MANUEL DE L'UTILISATEUR**  
Notice originale

**BEDIENUNGSANLEITUNG**  
Originalbetriebsanleitung

**MANUAL DE EXPLICACIONES**  
Manual original



---

Thank you for purchasing a Honda generator.

This manual covers operation and maintenance of the EU30i generator.

All information in this publication is based on the latest product information available at the time of approval for printing.

Honda Motor Co., Ltd. reserves the right to make changes at any time without notice and without incurring any obligation.

No part of this publication may be reproduced without written permission.

This manual should be considered a permanent part of the generator and should remain with it if it is resold.

Pay special attention to statements preceded by the following words:

**▲WARNING** Indicates a strong possibility of severe personal injury or death if instructions are not followed.

**CAUTION:** Indicates a possibility of personal injury or equipment damage if instructions are not followed.

**NOTE:** Gives helpful information.

If a problem should arise, or if you have any questions about the generator, consult an authorized Honda dealer.

**▲WARNING**  
**Honda generator is designed to give safe and dependable service if operated according to instructions. Read and understand the Owner's Manual before operating the generator. Failure to do so could result in personal injury or equipment damage.**

The illustration may vary according to the type.

# CONTENTS

---

1. SAFETY INSTRUCTIONS .....	3
2. SAFETY LABEL LOCATIONS.....	7
CE mark and noise label locations.....	11
3. COMPONENT IDENTIFICATION .....	12
4. PRE-OPERATION CHECK .....	16
5. STARTING THE ENGINE .....	22
• Carburetor Modification for High Altitude Operation.....	24
6. GENERATOR USE.....	25
7. STOPPING THE ENGINE .....	37
8. MAINTENANCE.....	39
9. TRANSPORTING/STORAGE .....	47
10. TROUBLESHOOTING.....	51
11. SPECIFICATIONS.....	54
12. WIRING DIAGRAM.....	56
RECEPTACLE .....	57
MAJOR Honda DISTRIBUTOR ADDRESSES .....	Inside back cover
“EC Declaration of Conformity”	
CONTENT OUTLINE .....	Inside back cover

# 1. SAFETY INSTRUCTIONS

---

## **IMPORTANT SAFETY INFORMATION**

Honda generators are designed for use with electrical equipment that has suitable power requirements. Other uses can result in injury to the operator or damage to the generator and other property.

Most injuries or property damage can be prevented if you follow all instructions in this manual and on the generator. The most common hazards are discussed below, along with the best way to protect yourself and others.

Never attempt to modify the generator. It can cause an accident as well as damage to the generator and appliances.

- Do not connect an extension to the muffler.
- Do not modify the intake system.
- Do not adjust the governor.
- Do not remove the control panel or do not change the wiring of the control panel.

## **Operator Responsibility**

Know how to stop the generator quickly in case of emergency.

Understand the use of all generator controls, output receptacles, and connections.

Be sure that anyone who operates the generator receives proper instruction. Do not let children operate the generator without parental supervision.

Be sure to observe the instructions in this manual for how to use the generator and maintenance information. Ignoring or improperly following the instructions can cause an accident such as an electric shock, and the condition of the exhaust gas may deteriorate.

Obey all applicable laws and regulations where the generator is used.

Gasoline and Oil is toxic. Follow the instructions provided by each manufacturer before use.

Place the generator on a firm level place before operation.

Do not operate the generator with any cover removed. You may get your hand or foot caught in the generator and it may cause accident.

Consult your authorized Honda dealer for disassembly and service of the generator that are not covered in this manual.

---

### **Carbon Monoxide Hazards**

Exhaust contains poisonous carbon monoxide, a colorless, odorless gas. Breathing exhaust can cause loss of consciousness and may lead to death.

If you run the generator in an area that is confined, or even partially enclosed area, the air you breathe could contain a dangerous amount of exhaust gas.

Never run your generator inside a garage, house, or near open windows or doors.

### **Electric Shock Hazards**

The generator produces enough electric power to cause a serious shock or electrocution if misused.

Using a generator or electrical appliance in wet conditions, such as rain or snow, or near a pool or sprinkler system, or when your hands are wet, could result in electrocution.

Keep the generator dry.

If the generator is stored outdoors, unprotected from the weather, check all of the electrical components on the control panel before each use. Moisture or ice can cause a malfunction or short circuit in electrical components that could result in electrocution.

If you get an electric shock, consult a doctor and have medical treatment immediately.

---

## **Fire and Burn Hazards**

Do not use the generator in areas with a high risk of fire.

The exhaust system gets hot enough to ignite some materials.

- Keep the generator at least 1 meter (3 feet) away from buildings and other equipment during operation.
- Do not enclose the generator in any structure.
- Keep flammable materials away from the generator.

Some parts of the internal combustion engine are hot and may cause burns. Pay attention to the warnings on the generator.

The muffler becomes very hot during operation and remains hot for a while after stopping the engine. Be careful not to touch the muffler while it is hot. Let the engine cool before storing the generator indoors.

Do not pour the water directly on the generator to put out the fire when it occurs. Use an appropriate fire extinguisher specially designed for electric fire or oil fire.

If you inhale fumes produced by an accidental fire with the generator, consult a doctor and have medical treatment immediately.

## **Refuel With Care**

Gasoline is extremely flammable, and gasoline vapor can explode. Allow the engine to cool if the generator has been in operation.

Refuel only outdoors in a well ventilated area with the engine off.

Do not refuel during operation.

Do not overfill the fuel tank.

Never smoke near gasoline, and keep other flames and sparks away.

Always store gasoline in an approved container.

Make sure that any spilled fuel has been wiped up before starting the engine.

---

**Explosion proof**

This generator is not compliant with explosion proof.

**Disposal**

To protect the environment, do not dispose of the used generator, battery, engine oil, etc. carelessly by leaving them in the waste. Observe the local laws or regulations or consult your authorized Honda generator dealer to dispose of these parts.

Please dispose of used motor oil in a manner that is compatible with the environment. We suggest you take it in a sealed container to your local service station for reclamation. Do not throw it in the trash or pour it on the ground.

An improperly disposed battery can hurt the environment. Always confirm local regulations for battery disposal. Contact your Honda servicing dealer for a replacement.



## 2. SAFETY LABEL LOCATIONS

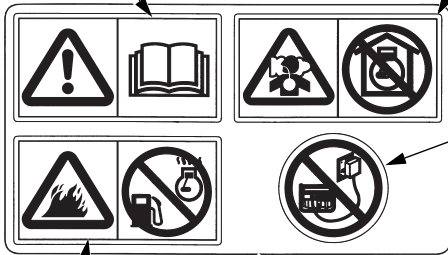
These labels warn you of potential hazards that can cause serious injury. Read the labels and safety notes and precautions described in this manual carefully.

If a label comes off or becomes hard to read, contact your Honda servicing dealer for a replacement.

**For European model: G, GW, GW1, F, IT types**

READ OWNER'S MANUAL

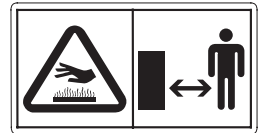
EXHAUST CAUTION



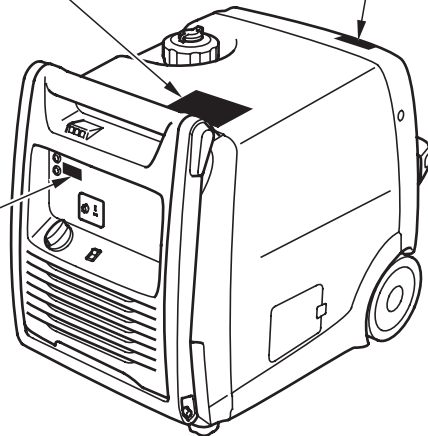
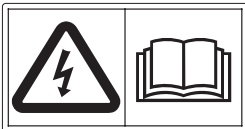
CONNECT CAUTION

FUEL CAUTION

HOT CAUTION



SOCKET CAUTION





- **Honda generator is designed to give safe and dependable service if operated according to instructions. Read and understand the Owner's Manual before operating the generator. Failure to do so could result in personal injury or equipment damage.**



- **Exhaust contains poisonous carbon monoxide, a colorless, odorless gas. Breathing carbon monoxide can cause loss of consciousness and may lead to death.**
- **If you run the generator in an area that is confined, or even partially enclosed area, the air you breathe could contain a dangerous amount of exhaust gas.**
- **Never run your generator inside a garage, house or near open windows or doors.**



- **Improper connections to a building's electrical system can allow current from the generator to backfeed into the utility lines. Such backfeed may electrocute utility company workers or others who contact the lines during a power outage, and the generator may explode, burn, or cause fires when utility power is restored. Consult the utility company or a qualified electrician prior to making any power connections.**



- **Gasoline is highly flammable and explosive.**  
Turn the engine off and let it cool before refueling.



- **Connect and remove the receptacle box for parallel operation with the engine stopped.**
- **For single operation, the receptacle box for parallel operation must be removed.**



- **A hot exhaust system can cause serious burns.**  
Avoid contact if the engine has been running.

## For U type

### For U type

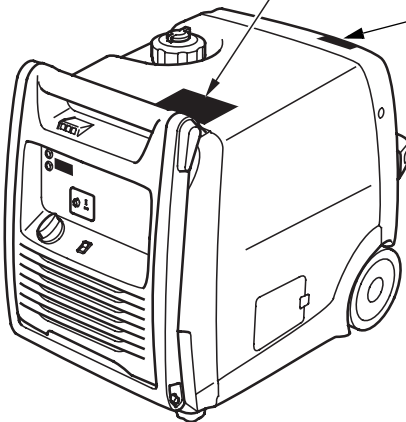
#### ⚠ CAUTION

- DO NOT USE INDOORS DUE TO DANGER OF CARBON MONOXIDE POISONING.
- DO NOT CONNECT THE RECEPTACLE OF THIS GENERATOR TO HOUSE WIRING.
- STOP THE ENGINE BEFORE REFUELING.
- CHECK FOR SPILLED FUEL OR FUEL LEAKS.
- DO NOT FILL THE FUEL TANK BEYOND THE UPPER LIMIT LINE.
- FOR DETAILED EXPLANATION, READ THE OWNER'S MANUAL.
- WHEN STORED OR IN TRANSIT, MAKE CERTAIN THAT THE ENGINE SWITCH AND THE FUEL TANK CAP LEVER ARE IN "OFF" POSITION TO PREVENT FUEL LEAKS.
- BE SURE TO CONNECT ONLY THE SPECIAL LEAD TO THE PARALLEL OPERATION RECEPTACLE.

#### ⚠ ATTENTION

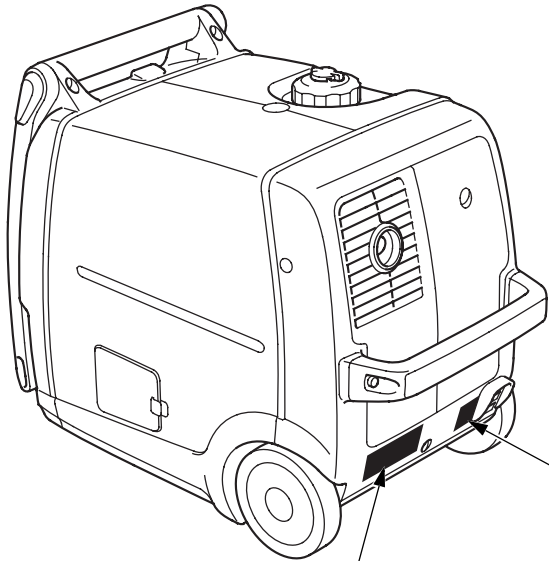
- NE PAS UTILISER DANS UN LOCAL CLOS OÙ LES VAPEURS NOCIVES DE MONOXYDE DE CARBONE PEUVENT S'ACCUMULER.
- NE JAMAIS CONNECTER LE GROUPE ELECTROGENE A UNE PRISE DE SECTEUR.
- ARRÊTER LE MOTEUR AVANT DE FAIRE LE PLEIN D'ESSENCE.
- CONTRÔLER QU'IL N'Y A NI FUITE D'ESSENCE, NI D'ESSENCE RÉPANDUE SUR L'APPAREIL.
- NE PAS REMPLIR LE RÉSERVOIR D'ESSENCE AU-DESSUS DU REPERE DE NIVEAU MAXIMUM.
- POUR PLUS D'INFORMATIONS, LIRE LE MANUEL DE L'UTILISATEUR.
- QUAND LE GROUPE ELECTROGENE EST REMISÉ OU TRANSPORTÉ, S'ASSURER QUE LE CONTACT D'ARRÊT DU MOTEUR ET LA MISE À L'AIR LIBRE DU RÉSERVOIR D'ESSENCE SONT SUR LA POSITION "OFF" AFIN D'ÉVITER TOUTE FUITE D'ESSENCE.
- CONNECTER UNIQUEMENT LE CORDON SPÉCIAL À LA PRISE POUR UTILISATION EN PARALLÈLE.

ACN 006 662 862



• CE mark and noise label locations

For European model: G, GW, GW1, F, IT types



NOISE LABEL



CE MARK

<b>EU30i</b>		<b>CE</b> Low power generator set <b>EN 12601</b>		
Rated power COP	2.6kw	50Hz	G1	A
Rated power factor	1.0	230V	IP23M	
Year of Mfg.		11.3A	Mass	kg

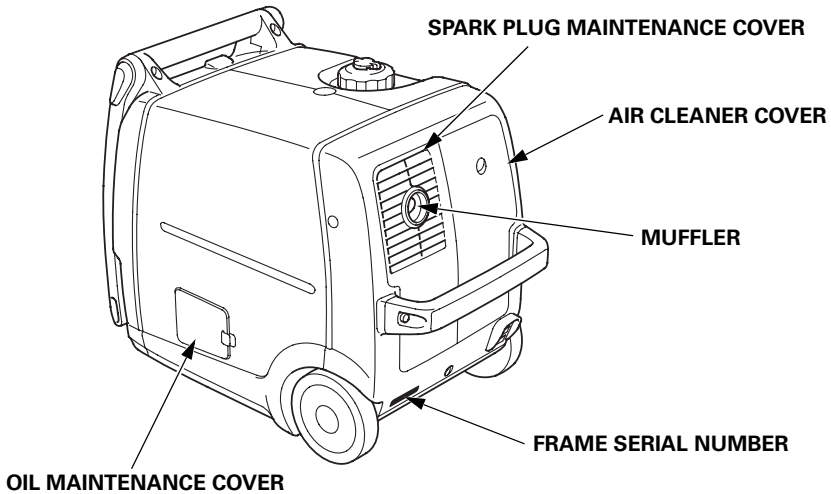
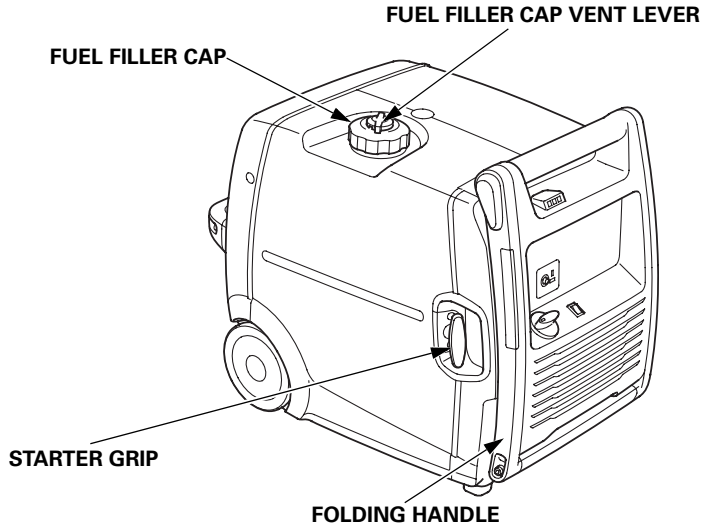
Manufacturer and address      Year of manufacture      Name and address of authorized representative and importer

Performance class      Quality class      IP code      Dry mass (weight)

Name and address of manufacturer, authorized representative and importer are written in the "EC Declaration of Conformity" CONTENT OUTLINE in this Owner's Manual.

# 3. COMPONENT IDENTIFICATION

---

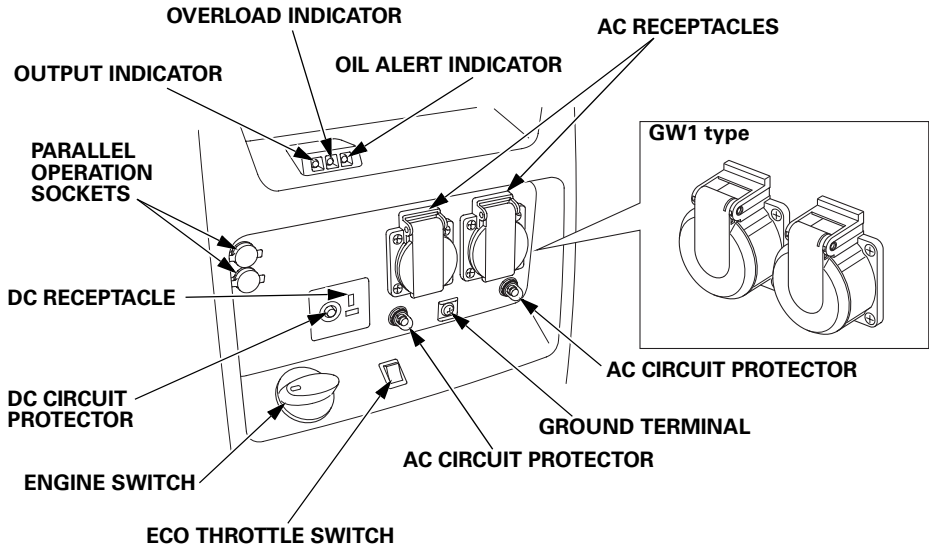


Record the frame serial number in the space below. You will need this serial number when ordering parts.

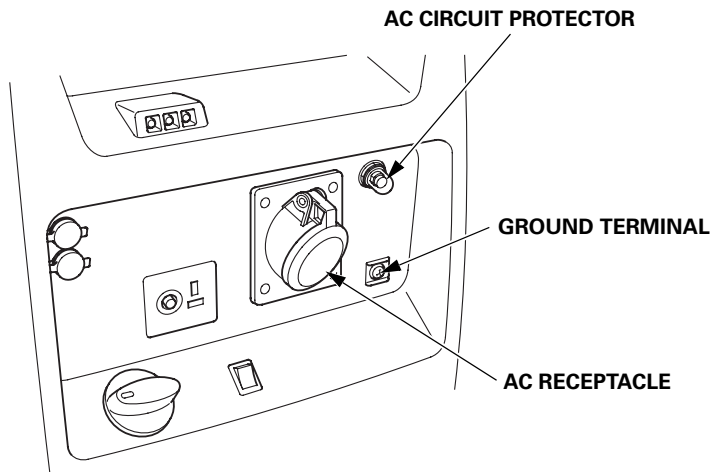
Frame serial number: \_\_\_\_\_

# CONTROL PANEL

## G, GW, F types

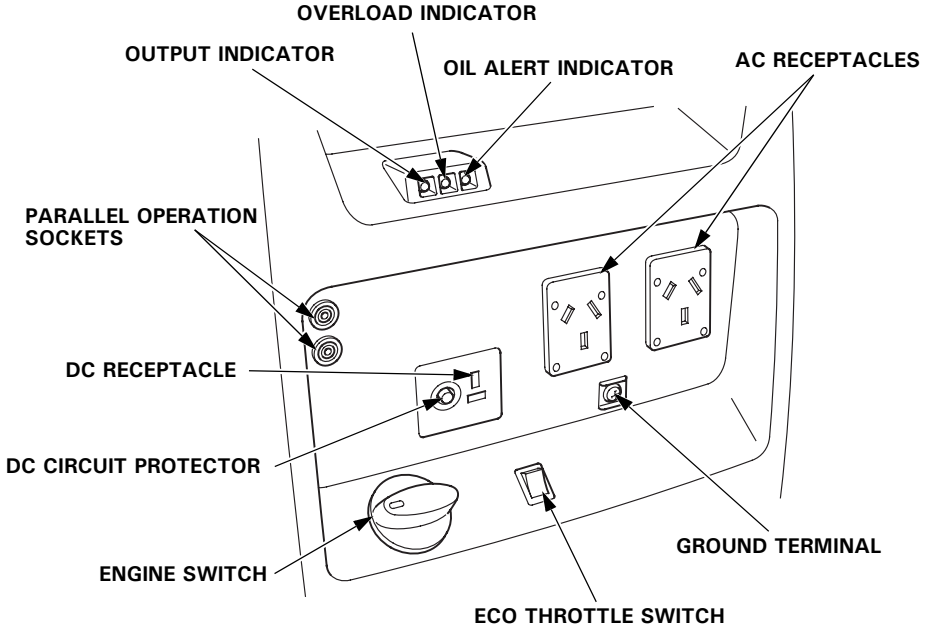


## IT type



---

# U type





---

## Eco Throttle

### ON:

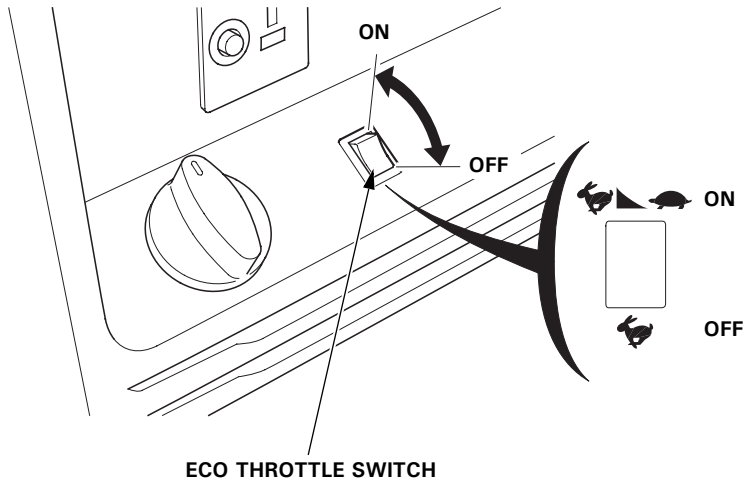
Engine speed is kept at idle automatically when the electrical appliance is disconnected and it returns to the proper speed by the electrical load when electrical appliance is connected. This position is recommended to minimize the fuel consumption while in operation.

### NOTE:

- Eco Throttle system does not operate sufficiently if the electrical appliance requires the momentary electric power.
- When high electrical load appliances is connected simultaneously, turn the Eco Throttle switch to the OFF position to reduce voltage changes.
- In DC operation, turn the Eco Throttle switch to the OFF position.

### OFF:

Eco Throttle system does not operate. Engine speed is kept in the range on the engine speed (with Eco Throttle off) in the "SPECIFICATIONS" page.



# 4. PRE-OPERATION CHECK

---

**CAUTION:**

**Be sure to check the generator on a level surface with the engine stopped.**

Before each use, look around and underneath the engine for signs of oil or gasoline leaks.

1. Check the engine oil level.

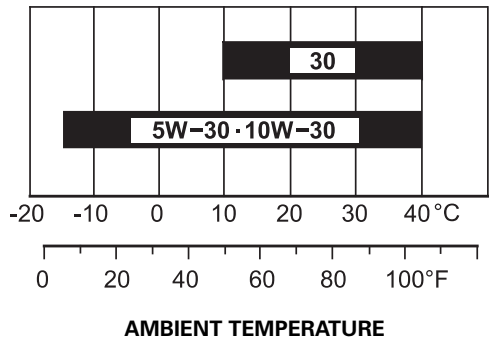
**CAUTION:**

**Using non detergent oil or 2-stroke engine oil could shorten the engine's service life.**

**Recommended oil**

Use 4-stroke motor oil that meets or exceeds the requirements for API service category SE or later (or equivalent). Always check the API service label on the oil container to be sure it includes the letters SE or later (or equivalent).

Read the instruction on the oil container before use.



SAE 10W-30 is recommended for general use. Other viscosities shown in the chart may be used when the average temperature in your area is within the recommended range.

---

Open the oil maintenance cover.

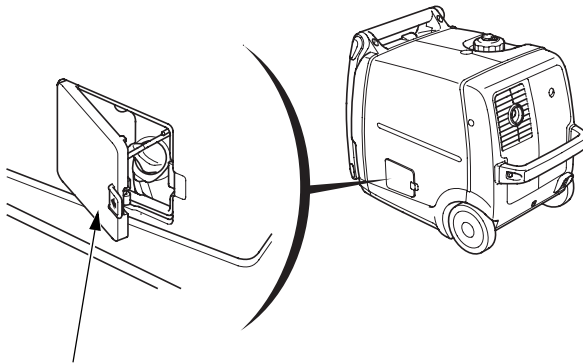
- a. Remove the oil filler cap.
- b. Check the oil level. If it is below the upper limit, fill with the recommended oil (see page 16) to the upper limit.
- c. Reinstall the oil filler cap securely.

**CAUTION:**

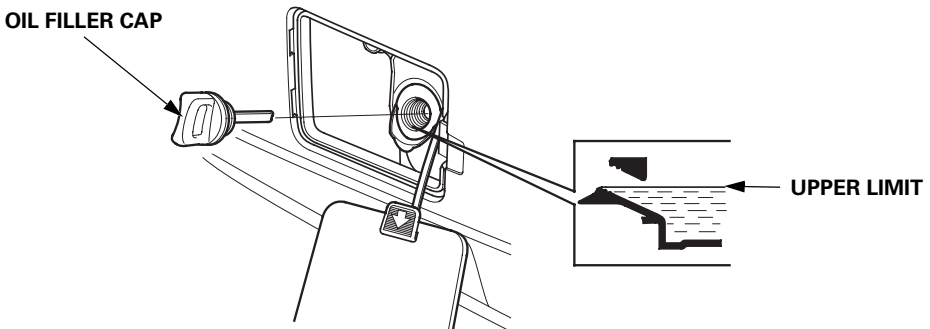
**Running the engine with insufficient oil can cause serious engine damage.**

**NOTE:**

The Oil Alert system will automatically stop the engine before the oil level falls below the safe limit. However, to avoid the inconvenience of an unexpected shutdown, it is still advisable to visually inspect the oil level regularly.



**OIL MAINTENANCE COVER**



---

## 2. Check the fuel level.

If the fuel level is low, refuel the fuel tank until the level as specified. After refueling, tighten the fuel filler cap securely.

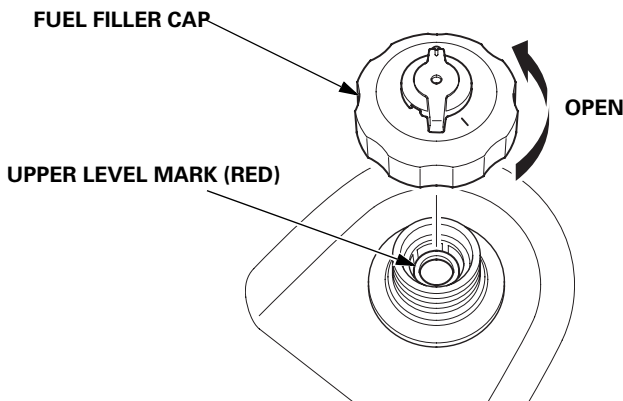
Use automotive unleaded gasoline with a Research Octane Number of 91 or higher (a Pump Octane Number of 86 or higher). Never use gasoline that is stale, contaminated, or mixed with oil. Avoid getting dirt or water in the fuel tank.

When refueling an empty fuel tank, fill the tank up to the upper level mark. The generator will not start if there is not enough fuel in the tank.

### **▲WARNING**

- **Gasoline is extremely flammable and is explosive under certain conditions.**
- **Refuel in a well ventilated area with the engine stopped. Do not smoke or allow flames or sparks in the area where the engine is refueled or where gasoline is stored.**
- **Do not overfill the fuel tank (there should be no fuel above the upper level mark). After refueling, make sure the fuel filler cap is closed properly and securely.**
- **Be careful not to spill fuel when refueling. Spilled fuel or fuel vapor may ignite. If any fuel is spilled, make sure the area is dry before starting the engine.**
- **Avoid repeated or prolonged contact with skin or breathing of vapor.**

**KEEP OUT OF REACH OF CHILDREN.**



---

**NOTE:**

Gasoline spoils very quickly depending on factors such as light exposure, temperature and time.

In worst cases, gasoline can be contaminated within 30 days.

Using contaminated gasoline can seriously damage the engine (carburetor clogged, valve stuck).

Such damage due to spoiled fuel is disallowed from coverage by the warranty.

To avoid this please strictly follow these recommendations:

- Only use specified gasoline (see page 18).
- Use fresh and clean gasoline.
- To slow deterioration, keep gasoline in a certified fuel container.
- If long storage (more than 30 days) is foreseen, drain fuel tank and carburetor (see page 49).

### **Gasolines Containing Alcohol**

If you decide to use a gasoline containing alcohol (gasohol), be sure its octane rating is at least as high as that recommended by Honda.

There are two types of "gasohol": one containing ethanol, and the other containing methanol.

Do not use gasohol that contains more than 10% ethanol.

Do not use gasoline containing more than 5% methanol (methyl or wood alcohol) and that does not also contain co-solvents and corrosion inhibitors for methanol.

**NOTE:**

- Fuel system damage or engine performance problems resulting from the use of gasoline that contains more alcohol than recommended is not covered under the warranty.
- Before buying gasoline from an unfamiliar station, first determine if the gasoline contains alcohol, if it does, find out the type and percentage of alcohol used.

If you notice any undesirable operating symptoms while using a particular gasoline. Switch to a gasoline that you know contains less than the recommended amount of alcohol.

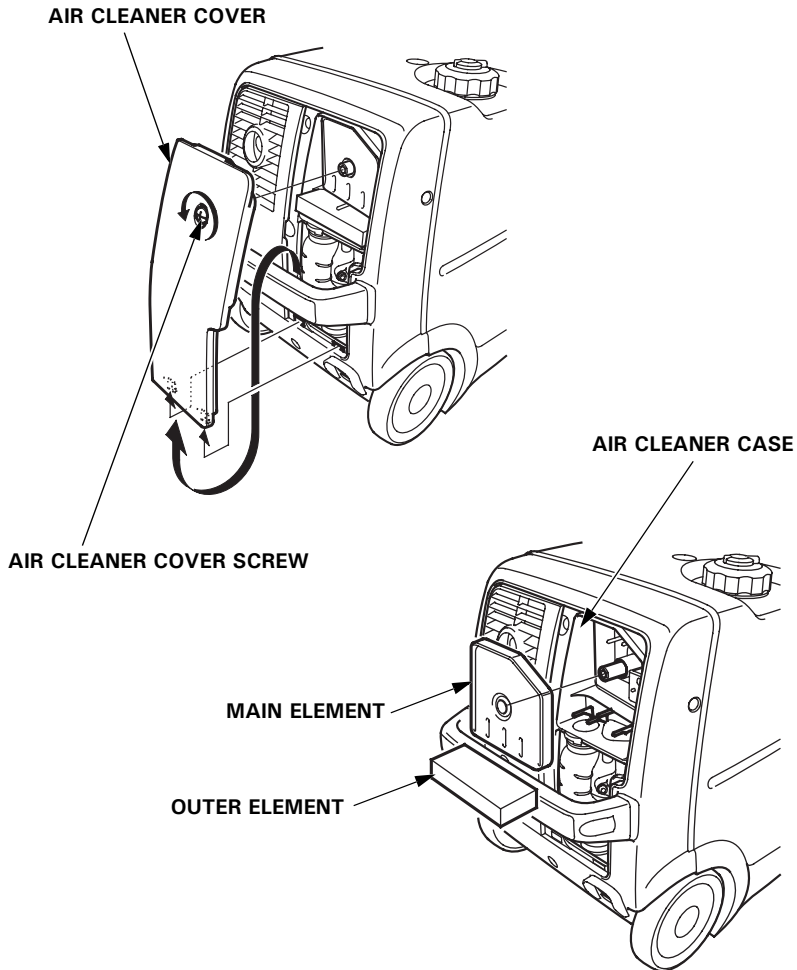
---

### 3. Check the air cleaner.

Check the air cleaner elements to be sure it is clean and in good condition.

Loosen the air cleaner cover screw, and remove the air cleaner cover. Remove the main and outer elements from the air cleaner case, and check the elements.

Clean or replace the elements if necessary (see page 43).

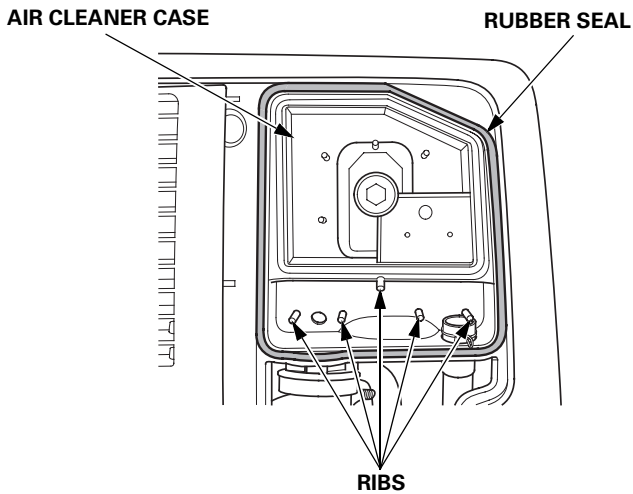


---

Make sure that the rubber seal is set in the groove of the air cleaner case. Replace the rubber seal if it is damaged. Reinstall the main and outer elements. Put the outer element between the upper and lower ribs.

**CAUTION:**

**Never run the engine without the air cleaner element. Rapid engine wear will result from contaminants, such as dust and dirt, being drawn through the carburetor, into the engine.**



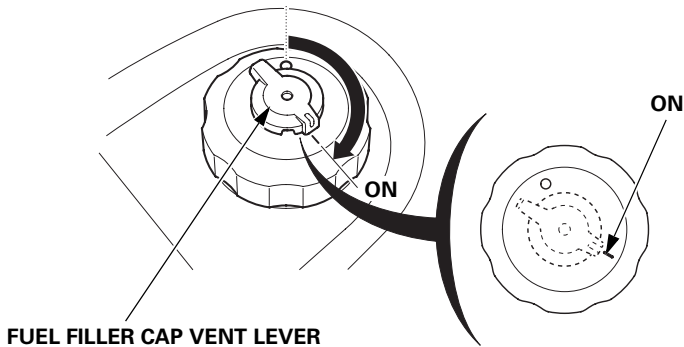
## 5. STARTING THE ENGINE

---

1. Make sure that all appliances are disconnected from the AC receptacles.
2. Turn the fuel filler cap vent lever fully clockwise to the ON position.

**NOTE:**

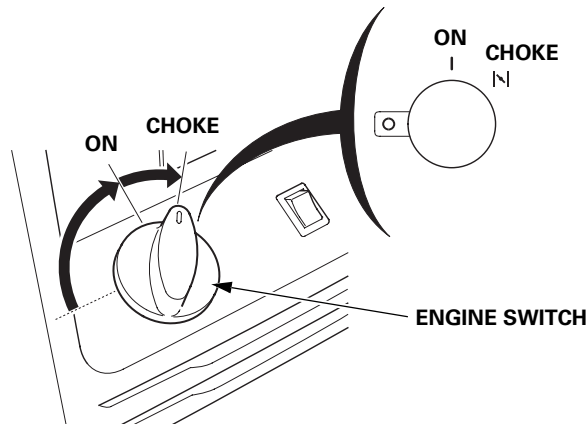
Turn the fuel filler cap vent lever to the OFF position when transporting the generator.



3. Turn the engine switch to the ON position.  
To start a cold engine, turn the engine switch to the CHOKE position.

**NOTE:**

Do not use the choke when the engine is warm or the air temperature is high.

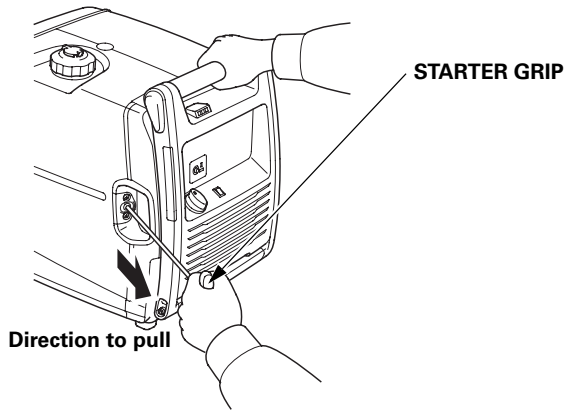




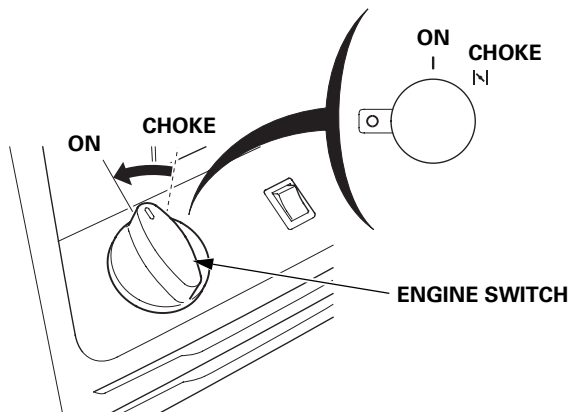
4. Pull the starter grip lightly until you feel resistance, then pull the starter grip briskly toward in the direction of the arrow as shown below.

**CAUTION:**

- **The starter grip can be drawn back very quickly before you release it. This may pull your hand forcefully toward the engine and cause an injury.**
- **Do not allow the starter grip to snap back. Return it slowly by hand.**



5. If the engine switch was turned to the CHOKE position to start the engine, turn it to the ON position as the engine warms up.



**NOTE:**

If the engine stops and will not restart, check the engine oil level (see pages 16 and 17) before troubleshooting in other areas.

---

- **Carburetor Modification for High Altitude Operation**

At high altitude, the standard carburetor air-fuel mixture will be too rich. Performance will decrease, and fuel consumption will increase. A very rich mixture will also foul the spark plug and cause hard starting. Operation at an altitude that differs from that at which this engine was certified, for extended periods of time, may increase emissions.

High altitude performance can be improved by specific modifications to the carburetor. If you always operate your generator at altitudes above 1,500 meters (5,000 feet), have your authorized Honda servicing dealer perform this carburetor modification. This engine, when operated at high altitude with the carburetor modifications for high altitude use, will meet each emission standard throughout its useful life.

Even with carburetor modification, engine horsepower will decrease about 3.5% for each 300-meter (1,000-foot) increase in altitude. The effect of altitude on horsepower will be greater than this if no carburetor modification is made.

**CAUTION:**

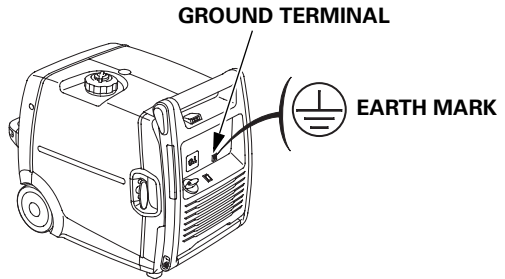
**Operation of the generator at an altitude lower than the carburetor is jetted for may result in reduced performance, overheating, and serious engine damage caused by an excessively lean air/fuel mixture.**

## 6. GENERATOR USE

The generator produces enough electric power to cause a serious shock or electrocution if misused.

Be sure to ground the generator when the connected appliance is grounded.

To ground the terminal of the generator, use a copper wire with same or larger diameter than the cord of the connected appliance.

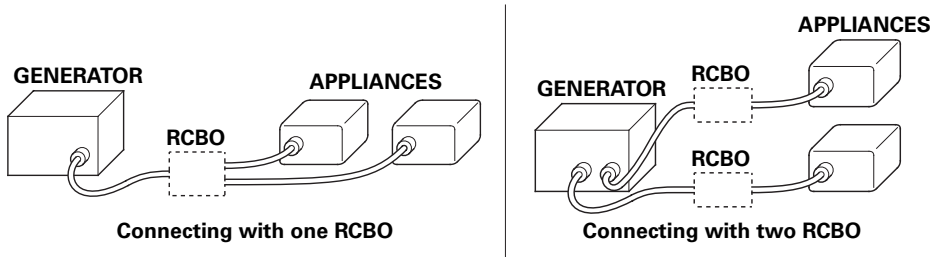


Use extension cord set with ground conductor when connecting an appliance with ground conductor.

To identify the Ground pin in the plug, see RECEPTACLE page 57.

Connect a RCBO (Residual current circuit breaker with overload protection) of 30 mA ground fault detection and cut-off of less than 0.4 seconds at more than 30 A of output current, if you are using two or more appliance.

Follow the instructions provided by each RCBO manufacturer before use.



### **▲WARNING**

**Improper connections to a building's electrical system can allow current from the generator to backfeed into the utility lines. Such backfeed may electrocute utility company workers or others who contact the lines during a power outage, and the generator may explode, burn, or cause fires when utility power is restored. Consult the utility company or a qualified electrician prior to making any power connections.**

---

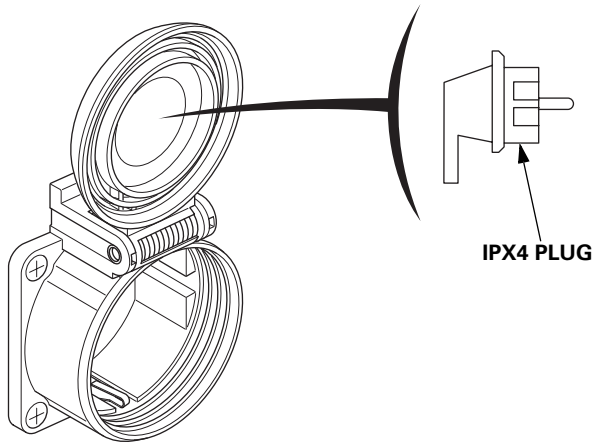
**CAUTION:**

- Do not exceed the current limit specified for any one receptacle.
- Do not modify or use the generator for other purposes than it is intended for. Also observe the following when using the generator.
- Do not connect an extension to the exhaust pipe.
- When an extension cable is required, be sure to use a tough rubber sheathed flexible cable (IEC 245 or equivalent).
- Limit length of extension cables; 60 m (200 feet) for cables of 1.5 mm<sup>2</sup> (0.0023 in<sup>2</sup>) and 100 m (330 feet) for cables of 2.5 mm<sup>2</sup> (0.0039 in<sup>2</sup>). Long extension cables will lower usable power due to resistance in the extension cable.
- Keep the generator away from other electric cables or wires such as commercial power supply lines.

**▲ WARNING**

**GW1 type**

When connecting an angled plug, be sure to use only a IPX4 plug.



---

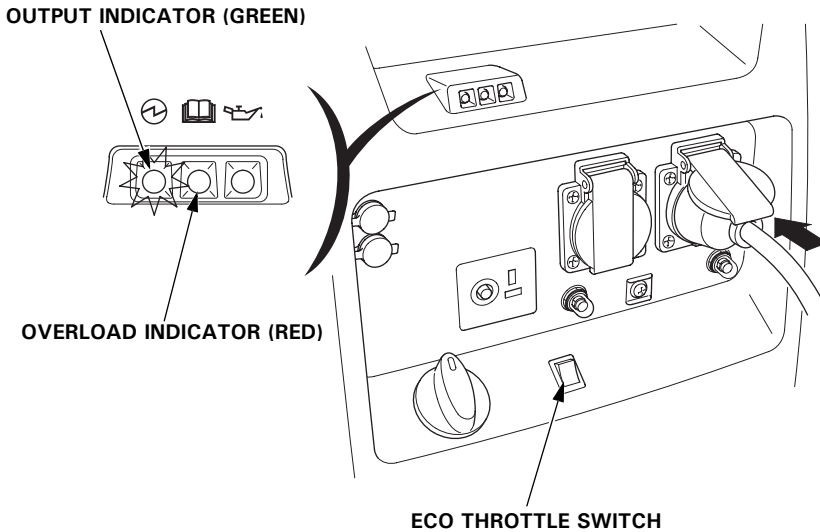
**NOTE:**

- Most appliance motors require more than their rated wattage for startup. Make sure the electrical rating of the tool or appliance does not exceed the maximum power rating of the generator.  
Maximum power is: 3.0 kVA
- For continuous operation, do not exceed the rated power.  
Rated power is: 2.6 kVA
- In either case, the total power requirements (VA) of all appliances connected must be considered.
- Substantial overloading will switch OFF the AC circuit protector. Slightly overloading the generator may not switch the AC circuit protector OFF, but will shorten the service life of the generator.
- The DC receptacle can be used while the AC power is in use. If you use both at the same time, do not exceed the maximum AC power.  
Maximum AC power: 2.5 kVA

---

## AC applications

1. Start the engine and make sure the Output indicator (green) comes on.
2. Confirm that the appliance to be used is switched off, and plug in the appliance.



If you wish to use the Eco Throttle system, turn the Eco Throttle switch to the ON position (see page 15).

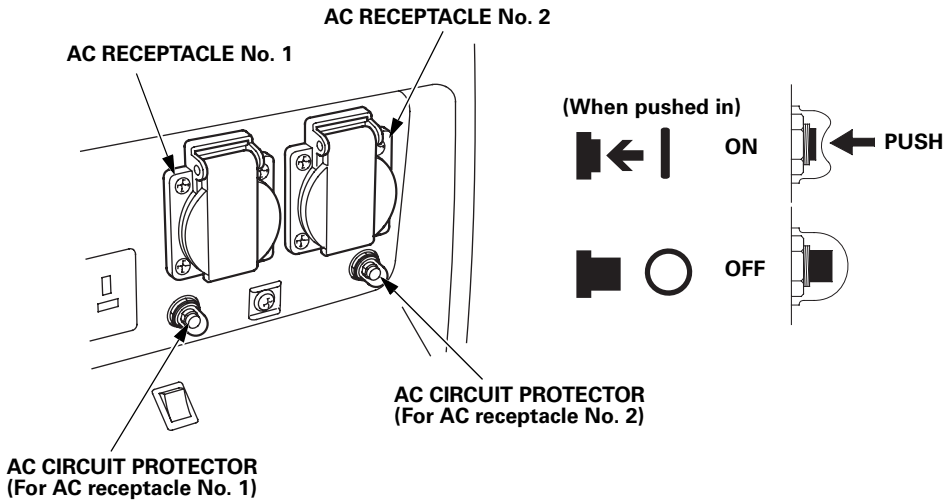
### CAUTION:

- **Substantial overloading that continuously lights the Overload indicator (red) may damage the generator. Marginal overloading that temporarily lights the Overload indicator (red) may shorten the service life of the generator.**
- **Be sure that all appliances are in good working order before connecting them to the generator. Electrical equipment (including lines and plug connections) should not be defective. If an appliance begins to operate abnormally, becomes sluggish, or stops suddenly, turn off the generator engine switch immediately. Then disconnect the appliance, and examine it for signs of malfunction.**

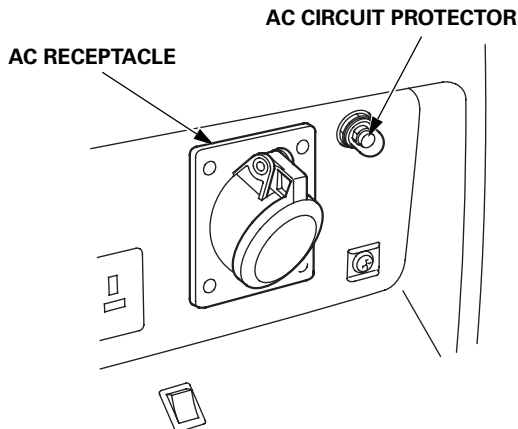
## AC Circuit Protectors (G, GW, GW1, F, IT types)

The AC circuit protector will automatically switch OFF if there is a short circuit or a significant overload of the generator at receptacle. If an AC circuit protector switches OFF automatically, check that the appliance is working properly and does not exceed the rated load capacity of the circuit before resetting the AC circuit protector ON by pushing the push button in.

### G, GW, GW1, F types



### IT type



---

## Output and Overload Indicators

The Output indicator (green) will remain on during normal operating conditions.

If the generator is overloaded (see page 27), or if there is a short in the connected appliance, the Output indicator (green) will go off, the Overload indicator (red) will come on and current to the connected appliance will be shut off.

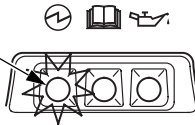
Stop the engine if the Overload indicator (red) comes on and investigate the overload source.

### NOTE:

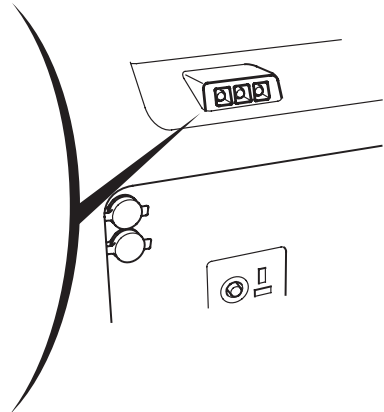
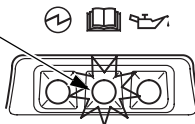
The Overload indicator (red) also lights in the following cases:

- When the inverter is overheated; the current to the connected appliance will be shut off. Check to see if the air intake is obstructed.
- Before connecting an appliance to the generator, check that it is in good order, and that its electrical rating does not exceed that of the generator. Then connect the power cord of the appliance, and start the engine.

OUTPUT INDICATOR  
(GREEN)



OVERLOAD INDICATOR  
(RED)



### NOTE:

When an electric motor is started, both the Overload indicator (red) and the Output indicator (green) may come on simultaneously. This is normal if the Overload indicator (red) goes off within 9 seconds. If the Overload indicator (red) stays on, consult your Honda generator dealer.



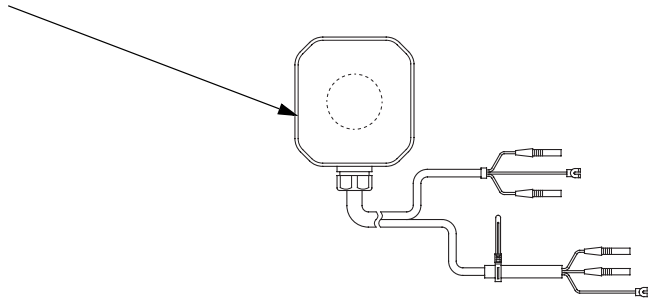
---

## Parallel operation

Please read the item “GENERATOR USE” before connecting any equipment to be used.

Use only a Honda approved receptacle box for parallel operation (optional equipment) when connecting two EU30i generators for parallel operation.

**RECEPTACLE BOX FOR PARALLEL OPERATION**  
(Optional equipment)



- Most appliance motors require more than their rated wattage for startup. Make sure the electrical rating of the tool or appliance does not exceed the maximum power rating of the generator.  
Maximum power in parallel operation is: 6.0 kVA
- For continuous operation, do not exceed the rated power.  
Rated power in parallel operation is: 5.2 kVA
- In either case, the total power requirements (VA) of all appliances connected must be considered.

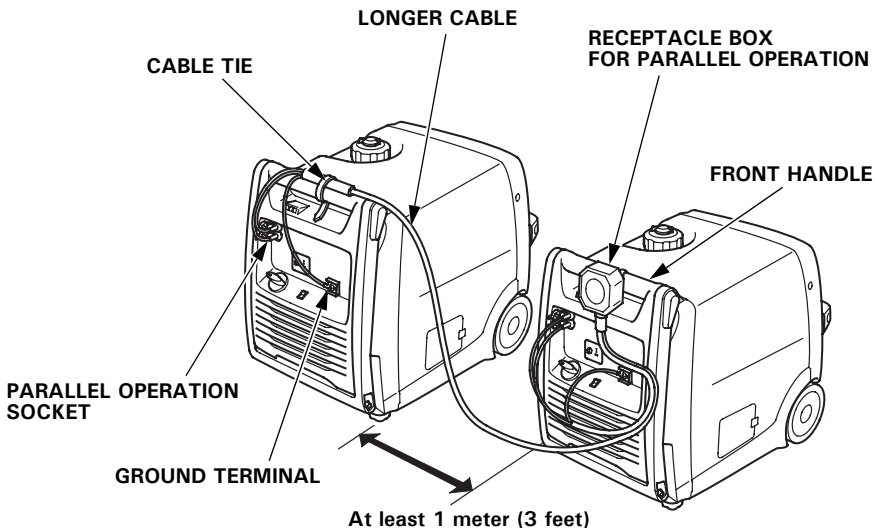
### **CAUTION:**

**Substantial overloading that continuously lights the Overload indicator (red) may damage the generator. Marginal overloading that temporarily lights the Overload indicator (red) may shorten the service life of the generator.**

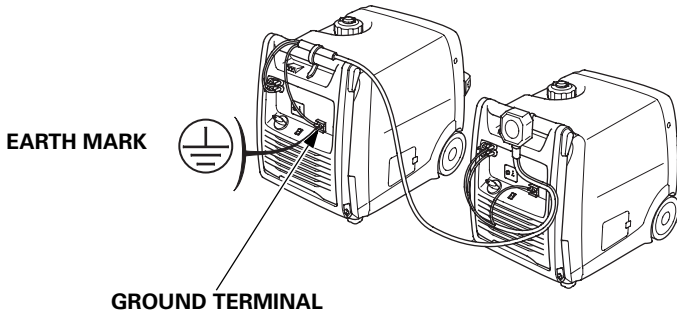
**▲ WARNING**

- Never connect the different generator models and types.
- Never connect a cable other than the receptacle box for parallel operation.
- Connect and remove the receptacle box for parallel operation with the engine stopped.
- For single operation, the receptacle box for parallel operation must be removed.

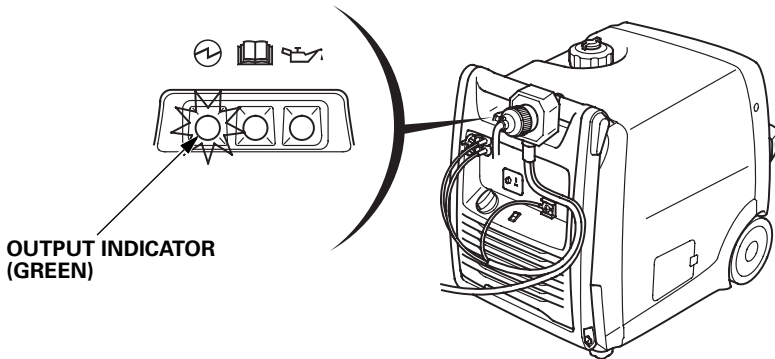
1. Hang the receptacle box for parallel operation on the front handle of one generator, and tie the longer cable to the front handle of the other generator with the cable tie.
2. Connect each cable to the parallel operation sockets and ground terminal of each generator.
  - Place two generators at least 1 meter (3 feet) away from each other during parallel operation.
  - Take care not to slacken the wire toward the starter grip side.
  - Connect the longer wire to the generator on which the receptacle box for parallel operation is not installed.
  - Do not set the generators with the exhaust side face to face each other.



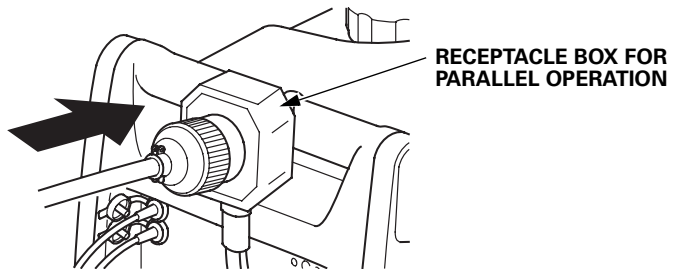
- 
3. Be sure to ground the generator when the connected equipment is grounded.



4. Start the engines and make sure the Output indicators (green) come on.



5. Confirm that the appliance to be used is switched off, and plug in the appliance.



6. Switch on the equipment to be used.

---

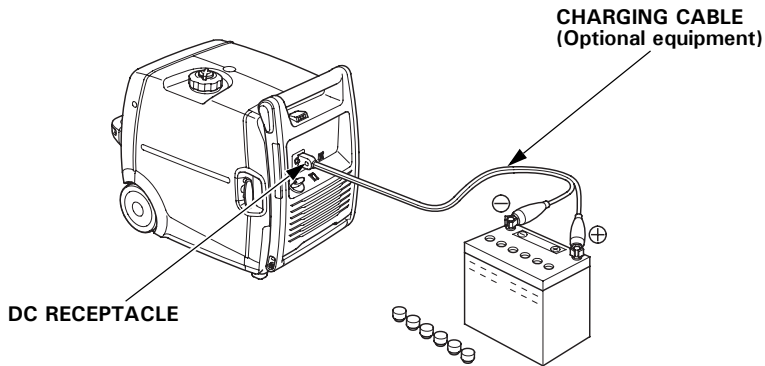
## DC application

The DC receptacle may be used for charging 12 volt automotive-type batteries only.

### NOTE:

In DC operation, turn the Eco Throttle switch to the OFF position.

1. Connect the charging cable to the DC receptacle of the generator and then to the battery terminals.



### ▲WARNING

- To prevent the possibility of creating a spark near the battery, connect charging cable first to the generator, then to the battery. Disconnect cable first at the battery.
- Before connecting charging cable to a battery that is installed in a vehicle, disconnect the vehicle's battery cable. Reconnect the vehicle's battery cable after the charging cables are removed. This procedure will prevent the possibility of a short circuit and sparks if you make accidental contact between a battery terminal and the vehicle's frame or body.

### CAUTION:

- Do not attempt to start an automobile engine with the generator still connected to the battery. The generator may be damaged.
- Connect the positive battery terminal to the positive charging cord. Do not reverse the charging cables, or serious damage to the generator and/or battery may occur.

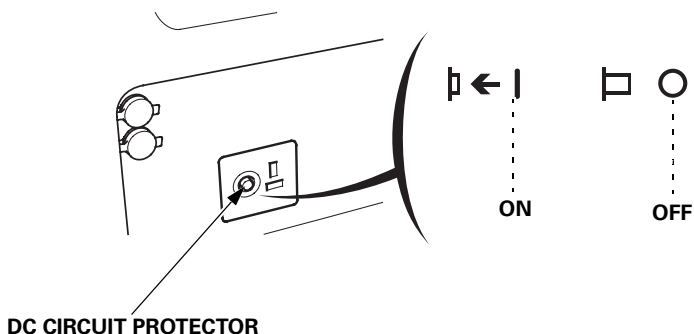
**▲ WARNING**

- **Batteries produce explosive gases: If ignited, and explosion can cause serious injury or blindness. Provide adequate ventilation when charging.**
- **CHEMICAL HAZARD: Battery electrolyte contains sulfuric acid. Contact with eyes or skin, even through clothing, may cause severe burns. Wear a face shield and protective clothing.**
- **Keep flames and sparks away, and do not smoke in the area. ANTIDOTE: If electrolyte gets into your eyes, flush thoroughly with warm water for at least 15 minutes and call a physician immediately.**
- **POISON: Electrolyte is poison. ANTIDOTE**
  - **External: Flush thoroughly with water.**
  - **Internal: Drink large quantities of water or milk. Follow with milk of magnesia or vegetable oil, and call a physician immediately.**
- **KEEP OUT OF REACH OF CHILDREN.**

2. Start the engine.

**NOTE:**

- The DC receptacle can be used while the AC power is in use.
- An overload DC circuit will trip the DC circuit protector (push button comes out).  
If this happens, wait a few minutes before pushing in the circuit protector to resume operation.
- The circuit protector does not prevent overcharging the battery.

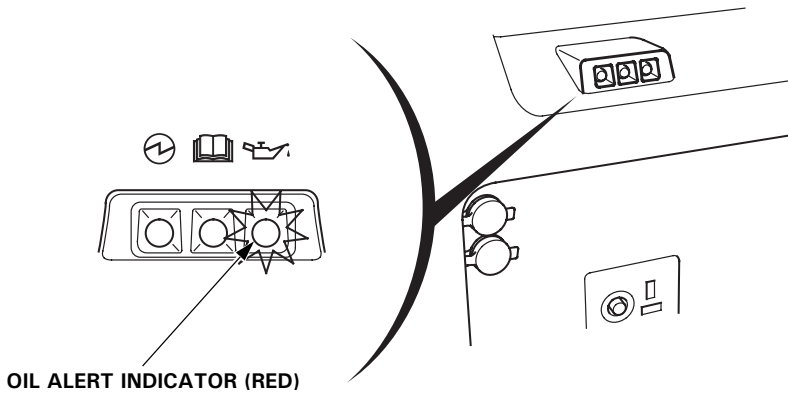


---

## Oil Alert system

The Oil Alert system is designed to prevent engine damage caused by an insufficient amount of oil in the crankcase. Before the oil level in the crankcase falls below a safe limit, the Oil Alert system will automatically shut down the engine (the engine switch will remain in the ON position).

If the Oil Alert system shuts down the engine, the Oil Alert indicator (red) will come on when you operate the starter, and the engine will not run. If this occurs, check the engine oil level (see pages 16 and 17).

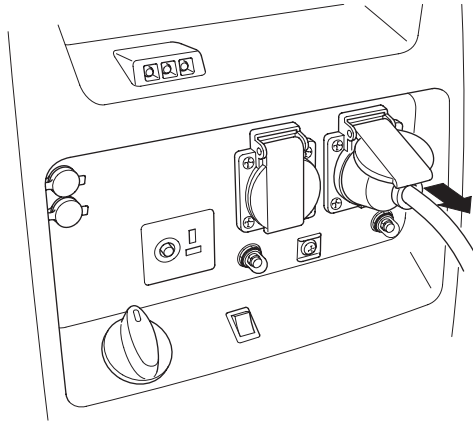


## 7. STOPPING THE ENGINE

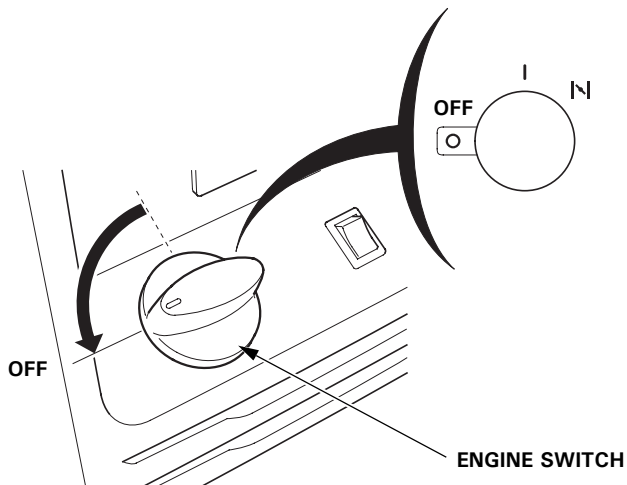
To stop the engine in an emergency, turn the engine switch to the OFF position.

### IN NORMAL USE:

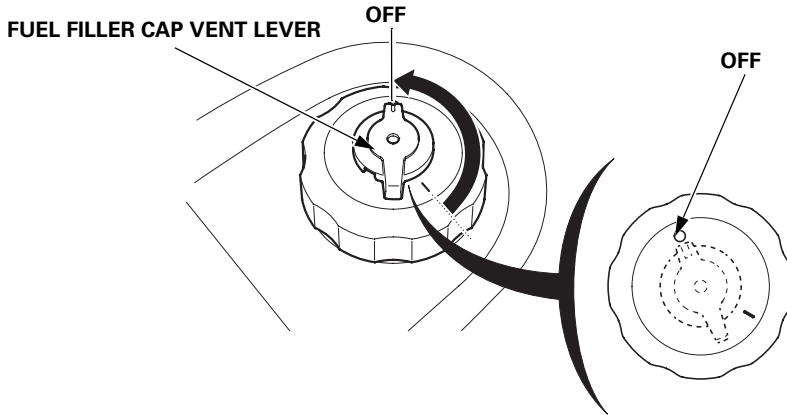
1. Switch off the connected equipment and pull the inserted plug.



2. Turn the engine switch to the OFF position.



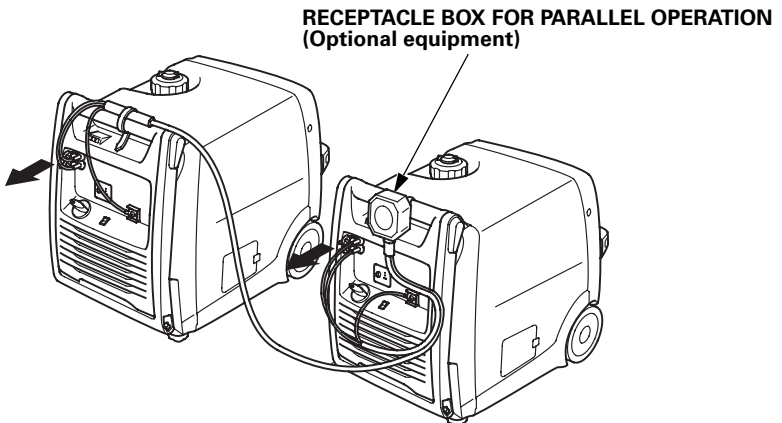
- 
3. Turn the fuel filler cap vent lever fully counterclockwise to the OFF position.



**CAUTION:**

**Be sure the fuel filler cap vent lever and the engine switch are in the OFF position when stopping, transporting and/or storing the generator.**

4. When parallel operation has been executed, disconnect the receptacle box for parallel operation.





## 8. MAINTENANCE

The purpose of the maintenance and adjustment schedule is to keep the generator in the best operating condition. Inspect or service as scheduled in the table below.

### ▲WARNING

**Make sure the engine is off before you begin any maintenance or repairs. This will eliminate several potential hazards:**

- **Carbon monoxide poisoning from engine exhaust. Be sure there is adequate ventilation whenever you operate the engine.**
- **Burns from hot parts. Let the engine and exhaust system cool before touching.**
- **Injury from moving parts. Do not run the engine unless instructed to do so.**

**The muffler becomes very hot during operation and remains hot for a while after stopping the engine. Be careful not to touch the muffler while it is hot. Let the engine cool before maintenance.**

### CAUTION:

**Use Honda Genuine parts or their equivalent. The use of replacement parts which are not of equivalent quality may damage the generator.**

### Maintenance Schedule

REGULAR SERVICE PERIOD (3)		Each use	First month or 20 hrs.	Every 3 months or 50 hrs.	Every 6 months or 100 hrs.	Every year or 300 hrs.
ITEM Perform at every indicated month or operating hour interval, whichever comes first.	Engine oil	Check level	o			
		Change		o	o	
Air cleaner		Check	o			
		Clean		o (1)		
Spark plug		Check-adjust			o	
		Replace				o
Valve clearance	Check-adjust					o (2)
Combustion chamber	Clean	After every 500 hrs (2)				
Fuel tank & filter	Clean					o (2)
Fuel line	Check	Every 2 years (Replace if necessary) (2)				

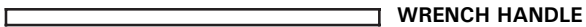
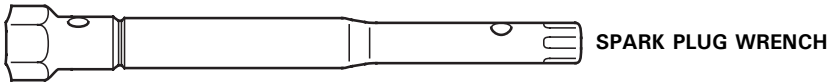
- NOTE:**
- (1) Service more frequently when used in dusty areas.
  - (2) These items should be serviced by your servicing dealer, unless you have the proper tools and are mechanically proficient. Refer to Honda shop manual for service procedures.
  - (3) For commercial use, log hours of operation to determine proper maintenance intervals.

---

## Tools

A box wrench, spark plug wrench and wrench handle are supplied with the generator.

Use the supplied tools to perform maintenance tasks. Using an incorrect tool may damage the generator.



---

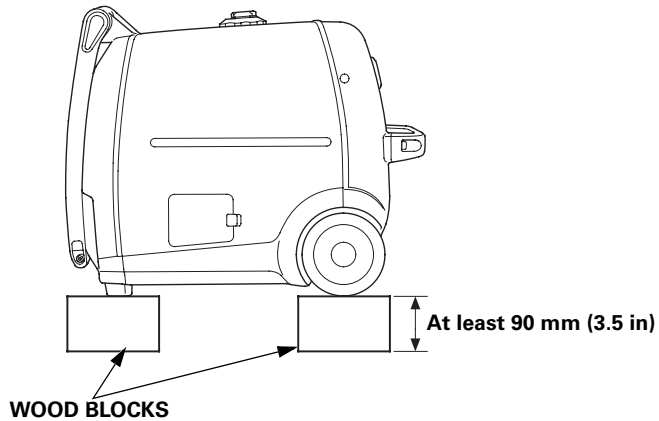
## 1. CHANGING OIL

Drain the oil while the engine is still warm to assure rapid and complete draining.

### CAUTION:

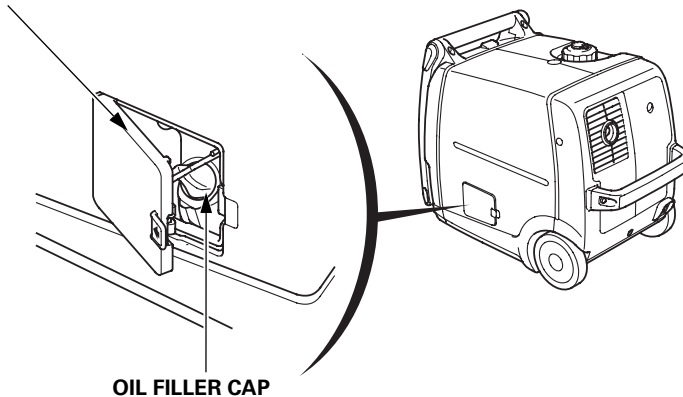
**Make sure to turn the engine switch and the fuel filler cap vent lever to the OFF position before draining.**

1. Place wood blocks under the generator to give a clearance of at least 90 mm (3.5 in) as shown.

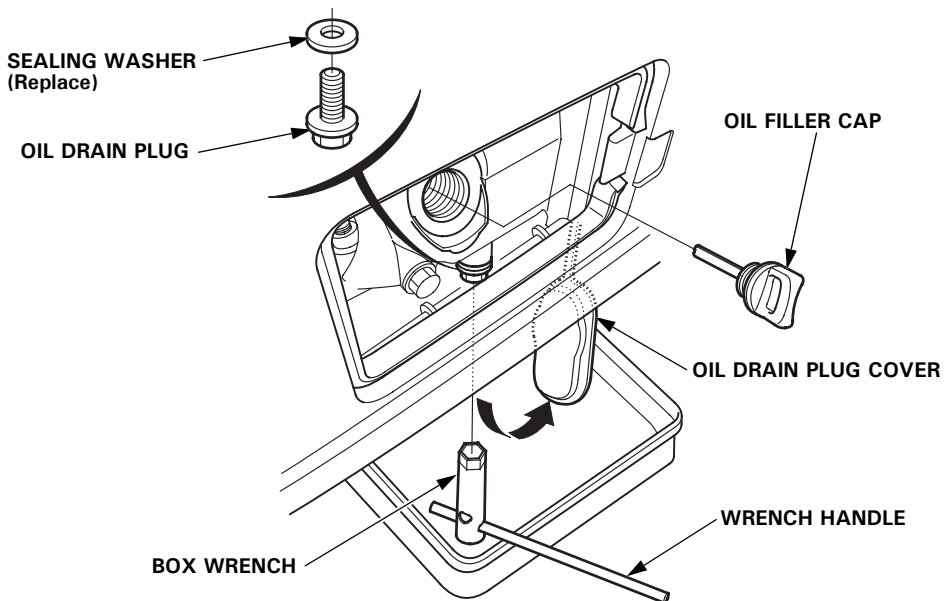


2. Open the oil maintenance cover, and remove the oil filler cap.

OIL MAINTENANCE COVER



3. Open the oil drain plug cover from the bottom of the generator.
4. Place a suitable container under the oil drain plug.
5. Remove the oil drain plug and sealing washer with the supplied box wrench and wrench handle, and drain the oil into the container thoroughly.
6. Reinstall the oil drain plug and a new sealing washer. Tighten the plug securely.
7. Close the oil drain plug cover.
8. With the generator in a level position, refill with the recommended oil (see page 16) to the upper level of the oil filler neck.
9. Wipe off all the spilled oil from the generator.
10. Reinstall the oil filler cap and close the oil maintenance cover.



Wash your hands with soap and water after handling used oil.

**NOTE:**

Please dispose of used motor oil in a manner that is compatible with the environment. We suggest you take it in a sealed container to your local service station for reclamation. Do not throw it in the trash or pour it on the ground.

---

## 2. AIR CLEANER SERVICE

A dirty air cleaner will restrict air flow to the carburetor. To prevent carburetor malfunction, service the air cleaner regularly. Service more frequently when operating the generator in extremely dusty areas.

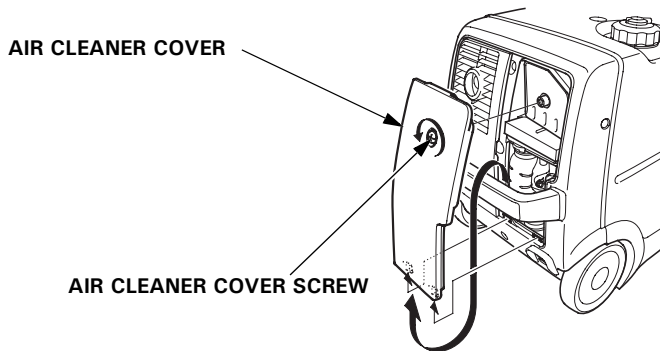
### **▲WARNING**

**Do not use gasoline or low flash point solvents for cleaning. They are flammable and explosive under certain conditions.**

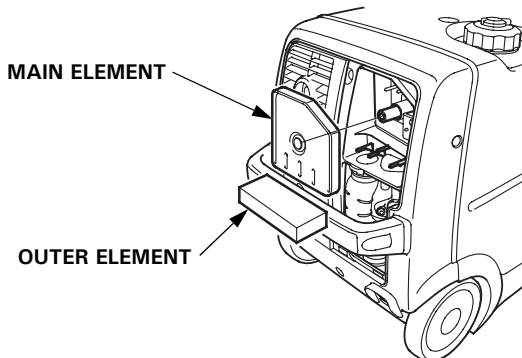
### **CAUTION:**

**Never run the generator without the air cleaner. Rapid engine wear may result.**

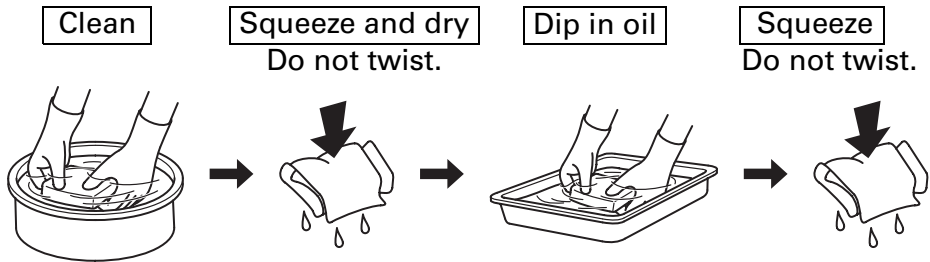
1. Loosen the air cleaner cover screw, and remove the air cleaner cover.



2. Remove the main and outer elements.

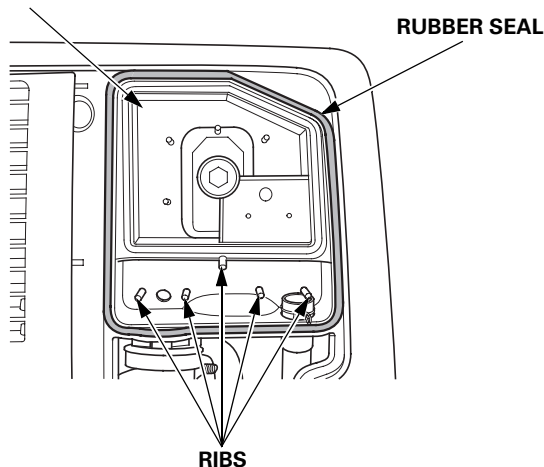


3. Wash the elements in a solution of household detergent and warm water and rinse thoroughly, or wash in nonflammable or high flash point solvent. Allow the elements to dry thoroughly. If the elements are damaged, replace them.
4. Soak the elements in clean engine oil and squeeze out the excess oil.



5. Make sure that the rubber seal is set in the groove of the air cleaner case. Replace the rubber seal if it is damaged.
6. Reinstall the main and outer elements. Put the outer element between the upper and lower ribs.

AIR CLEANER CASE



7. Reinstall the air cleaner cover and tighten the air cleaner cover screw securely.

---

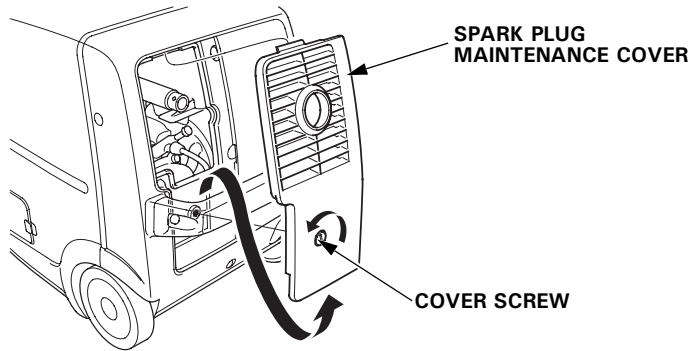
### 3.SPARK PLUG SERVICE

**RECOMMENDED SPARK PLUG:** BPR6ES (NGK)  
W20EPR-U (DENSO)

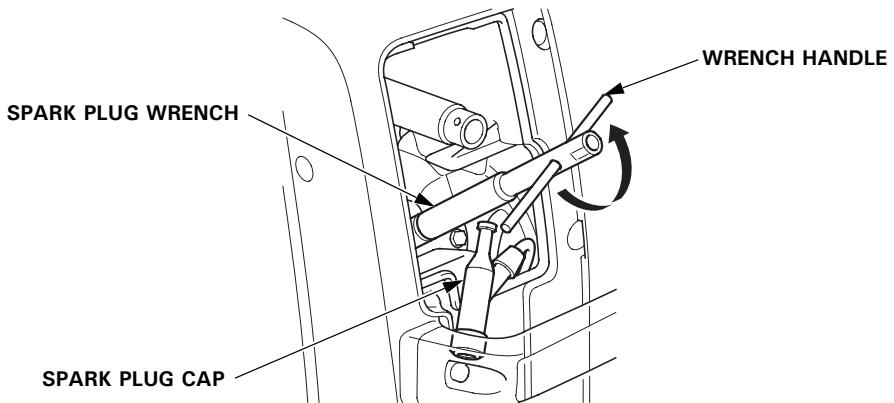
To ensure proper engine operation, the spark plug must be properly gapped and free of deposits.

If the engine is hot, allow it to cool before servicing the spark plug.

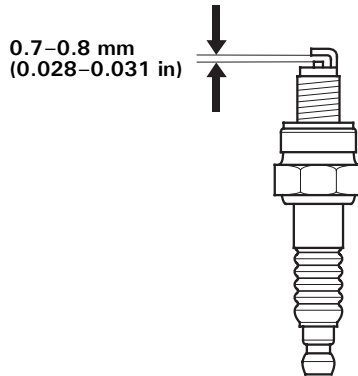
1. Loosen the cover screw and remove the spark plug maintenance cover.



2. Remove the spark plug cap.
3. Clean any dirt from around the spark plug base.
4. Remove the spark plug with the supplied spark plug wrench and wrench handle.



- 
5. Visually inspect the spark plug. Discard it if the insulator is cracked, chipped, or fouled. Clean the spark plug with a wire brush if it is to be reused.
  6. Measure the plug gap with a feeler gauge. Correct as necessary by carefully bending the side electrode. The gap should be:  
0.7–0.8 mm (0.028–0.031 in)



7. Install the spark plug carefully by hand, to avoid cross-threading.
8. After a new spark plug has been seated by hand, it should be tightened 1/2 turn with the supplied spark plug wrench and wrench handle to compress its washer. If a used plug is being reinstalled, it should only require 1/8 to 1/4 turn after being seated.
9. Reinstall the spark plug cap on the spark plug securely.
10. Reinstall the spark plug maintenance cover and tighten the cover screw securely.

**CAUTION:**

- The spark plug must be securely tightened. An improperly tightened plug can become very hot and possibly damage the generator.
- Never use a spark plug with an improper heat range.



## 9. TRANSPORTING/STORAGE

To prevent fuel spillage when transporting or during temporary storage, the generator should be secured upright in its normal operating position, with the engine switch OFF.

The fuel filler cap vent lever is turned fully counterclockwise to the OFF position.

Allow the engine to cool well before turning the fuel cap vent lever to the OFF position.

### Transporting

#### ▲ WARNING

**When transporting the generator:**

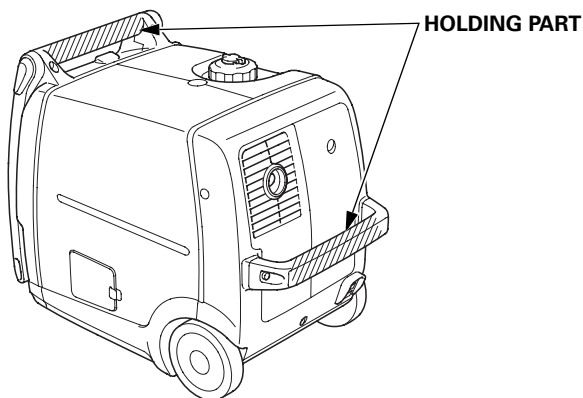
- **Do not overfill the tank (there should be no fuel in the filler neck).**
- **Do not operate the generator while it is on a vehicle. Take the generator off the vehicle and use it in a well ventilated place.**
- **Avoid a place exposed to direct sunlight when putting the generator on a vehicle. If the generator is left in an enclosed vehicle for many hours, high temperature inside the vehicle could cause fuel to vaporize resulting in a possible explosion.**
- **Do not drive on a rough road for an extended period with the generator on board. If you must transport the generator on a rough road, drain the fuel from the generator beforehand.**

NOTE:

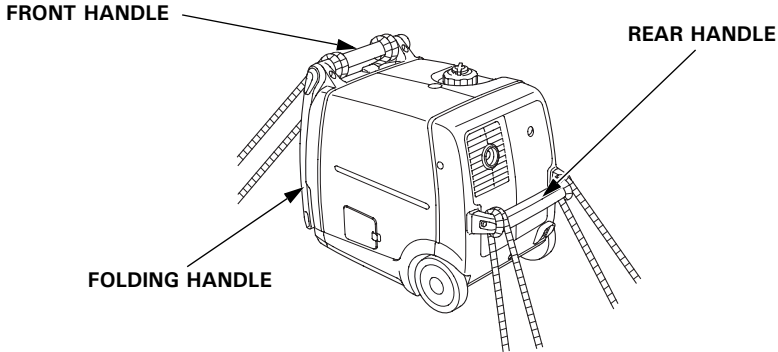
To lift up the generator, hold the holding part (shaded areas in the figure below) with your assistants.

According to EUROPEAN STANDARD EN 12601: 2010

*Carrying the generating set is considered that a 140 kg set should be provided with the means of carrying by 4 persons.*



Secure the generator with ropes or tie-down straps when transporting. Make sure only to use the front and rear handles as attachment points. Do not fasten ropes or straps to any portions of the generator body or the folding handle.



### Folding Handle

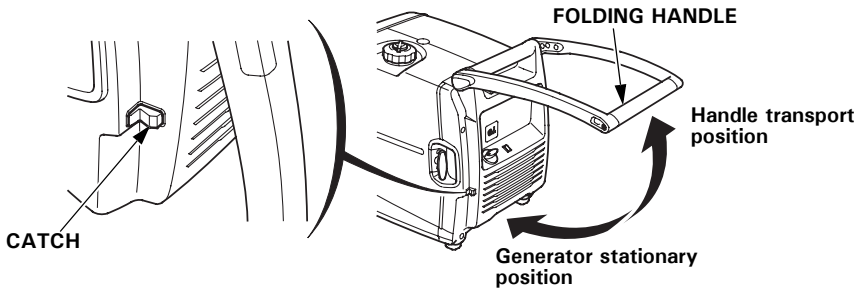
The foldable handle is intended for ease of transportation and should be folded when the generator is stationary. Do not rest objects on the handle when in the transport position.

### To Extend The Handle

Lift the handle upward with both hands.

### To Fold The Handle

Lower the handle with both hands until it clicks into place.



### NOTE:

- Do not use the folding handle when moving the generator over rough surfaces.
- Do not place any objects on the generator.

## Storage

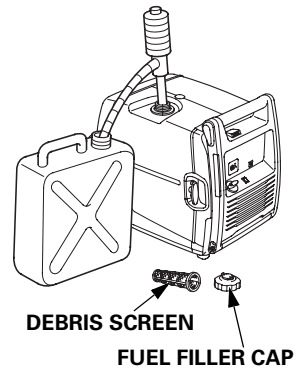
Before storing the generator for an extended period:

1. Be sure the storage area is free of excessive humidity and dust.
2. Drain the fuel.

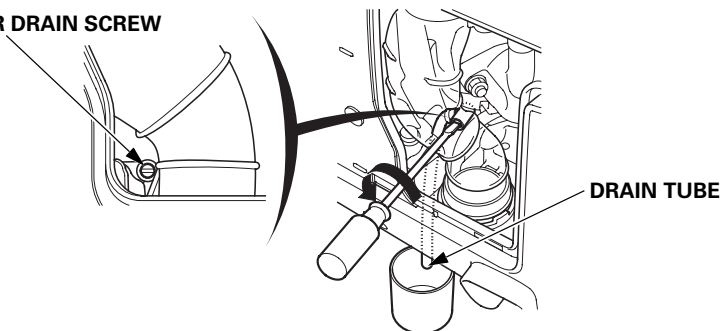
### ▲WARNING

**Gasoline is extremely flammable and is explosive under certain conditions. Perform this task in a well ventilated area with the engine stopped. Do not smoke or allow flames or sparks in the area during this procedure.**

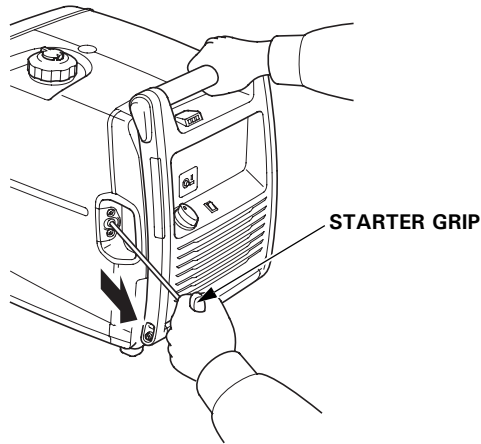
- a. Unscrew the fuel filler cap, remove the debris screen, and empty the fuel tank into an approved gasoline container.
- b. Drain all gasoline from the fuel tank into an approved gasoline container. We recommend using a commercially available gasoline hand pump. Do not use an electric pump.
- c. Loosen the air cleaner cover screw and remove the air cleaner cover (see page 20).
- d. Place a suitable container under the drain tube.
- e. Turn the engine switch to the ON position to open the fuel valve (see page 22).
- f. Loosen the carburetor drain screw and drain the gasoline from the carburetor.
- g. After draining all the gasoline, tighten the carburetor drain screw securely.
- h. Reinstall the air cleaner cover and turn the engine switch to the OFF position.



CARBURETOR DRAIN SCREW

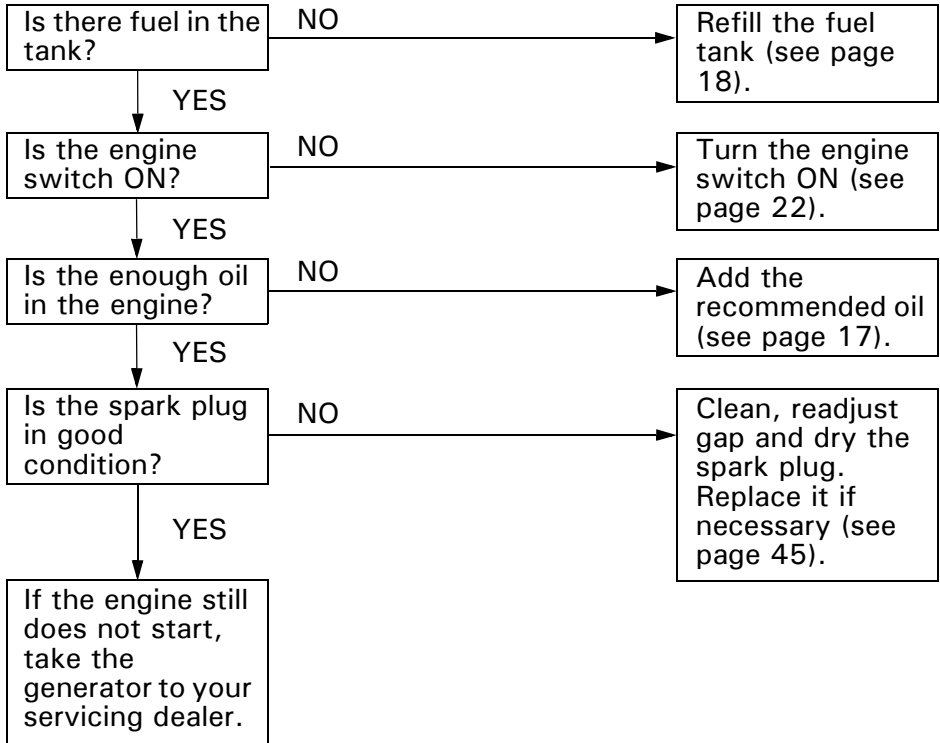


- 
3. Change the engine oil (see page 41).
  4. Remove the spark plug and pour about a tablespoon of clean engine oil into the cylinder. Crank the engine several revolutions to distribute the oil, then reinstall the spark plug.
  5. Slowly pull the starter grip until resistance is felt. At this point, the piston is coming up on its compression stroke and both the intake and exhaust valves are closed. Storing the engine in this position will help to protect it from internal corrosion.

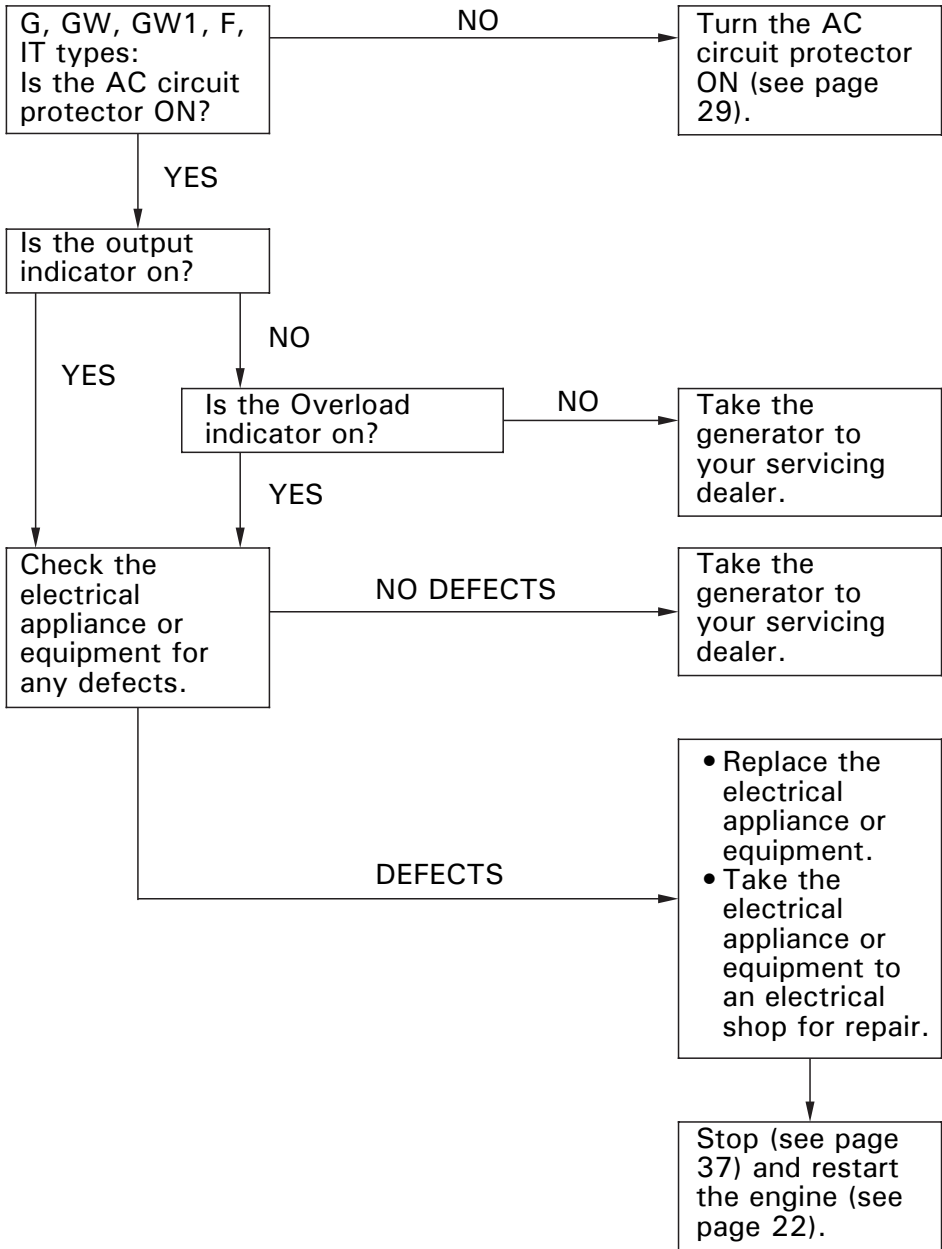


# 10. TROUBLESHOOTING

When the engine will not start:

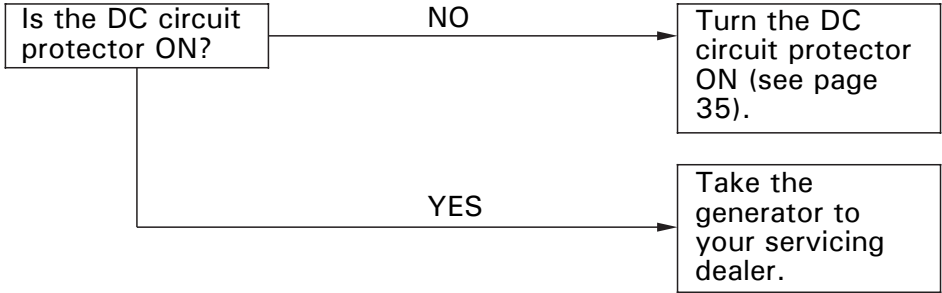


Appliance does not operate:



---

No electricity at the DC receptacle:



# 11. SPECIFICATIONS

## Dimensions and Weight

Model	EU30i
Description code	EAVJ
Length	622 mm (24.5 in)
Width	379 mm (14.9 in)
Height	489 mm (19.3 in)
Dry mass [weight]	35.2 kg (77.6 lbs)

## Engine

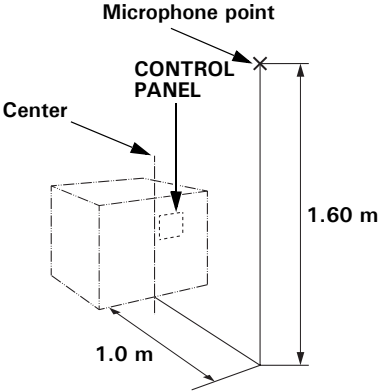
Model	GX160K1
Engine type	4-stroke, overhead valve, single cylinder
Displacement	163 cm <sup>3</sup> (9.9 cu-in)
Bore×Stroke	68.0×45.0 mm (2.68×1.77 in)
Compression ratio	8.5:1
Engine speed	3,000–4,000 rpm 3,600–4,000 rpm (with Eco throttle OFF)
Cooling system	Forced air
Ignition system	Full transistor
Engine oil capacity	0.53 L (0.56 US qt, 0.47 Imp qt)
Fuel tank capacity	5.9 L (1.56 US gal, 1.30 Imp gal)
Spark plug	BPR6ES (NGK) W20EPR-U (DENSO)

## Generator

Model	EU30i	
Type	G, GW, GW1, F, IT	U
AC output	Rated voltage	230 V   240 V
	Rated frequency	50 Hz
	Rated Ampere	11.3 A   10.8 A
	Rated Output	2.6 kVA
	Max Output	3.0 kVA
DC rated output	Only for charging 12 V automotive batteries. 12 V, 8.3 A	



## Noise

Model	EU30i	
Type	G, GW, GW1, F, IT	U
Sound pressure level at the workstation (2006/42/EC)  	74 dB (A) (with Eco throttle ON)	–
----- Uncertainty	3 dB (A)	----- –
Measured sound power level (2000/14/EC, 2005/88/EC)	89 dB (A) (with Eco throttle ON)	–
----- Uncertainty	3 dB (A)	----- –
Guaranteed sound power level (2000/14/EC, 2005/88/EC)	92 dB (A) (with Eco throttle ON)	–

“the figures quoted are emission levels and are not necessarily safe working levels. Whilst there is a correlation between the emission and exposure levels, this cannot be used reliably to determine whether or not further precautions are required. Factors that influence the actual level of exposure of work-force include the characteristics of the work room, the other sources of noise, etc. i.e. the number of machines and other adjacent processes, and the length of time for which an operator is exposed to the noise. Also the permissible exposure level can vary from country. This information, however, will enable the user of the machine to make a better evaluation of the hazard and risk”.

### NOTE:

Specifications are subject to change without notice.

# 12. WIRING DIAGRAM

## INDEX

(See inside back cover)

G, GW, GW1, F, IT Types ..... W-1  
 U Type..... W-2

## ABBREVIATIONS





Symbol	Part name	Symbol	Part name
ACCP	AC Circuit Protector	RT	Rectifier
ACNF	AC Noise Filter	SP	Spark Plug
ACOR	AC Output Receptacle	SpU	Spark Unit
Cot	Parallel Operation Socket	SuW	Sub Winding
CPB	Control Panel Block	TCMo	Throttle Control Motor
DCOR	DC Output Receptacle	ToGe	To Generator
DCW	DC Winding		
Eco Sw	Eco Throttle Switch	<F>	F type
EgB	Engine Block	<G>	G, GW types
EgG	Engine Ground	<IT>	IT type
EgSw	Engine Switch		
ExW	Exciter Winding		
FCB	Front Cover Block		
FrG	Frame Ground		
GeB	Generator Block		
GT	Ground Terminal		
IgC	Ignition Coil		
IU	Inverter Unit		
IUB	Inverter Unit Block		
MW	Main Winding		
OAL	Oil Alert Indicator		
OI	Overload Indicator		
OLSw	Oil Level Switch		
PC	Pulser Coil		
PL	Output Indicator		
RBx	Receptacle Box for Parallel Operation		
RBxB	Receptacle Box for Parallel Operation Block		

## WIRE COLOR CODE

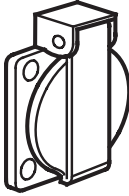
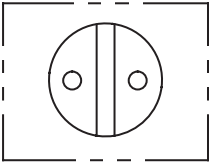
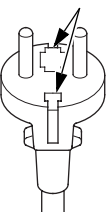
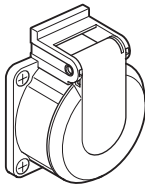
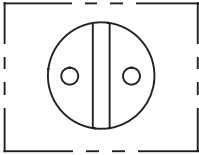
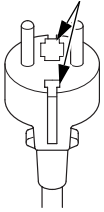
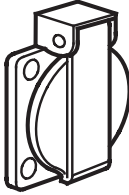
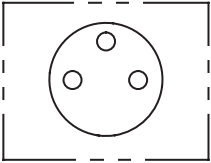
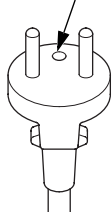
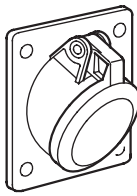
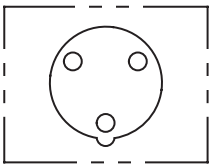
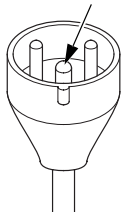
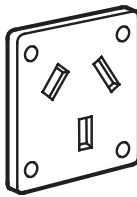
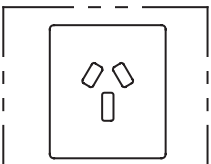
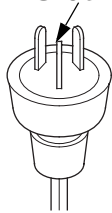
Bl	BLACK
Y	YELLOW
Bu	BLUE
G	GREEN
R	RED
W	WHITE
Br	BROWN
Lg	LIGHT GREEN
Gr	GRAY
Lb	LIGHT BLUE
O	ORANGE
P	PINK

## SWITCH CONNECTIONS

### ECO THROTTLE SWITCH

		G/W	R/W
ON			
OFF			

# RECEPTACLE

Type	Shape	Plug
G, GW	 	 <p><b>GROUND PIN</b></p>
GW1	 	 <p><b>GROUND PIN</b></p>
F	 	 <p><b>GROUND PIN</b></p>
IT	 	 <p><b>GROUND PIN</b></p>
U	 	 <p><b>GROUND PIN</b></p>

